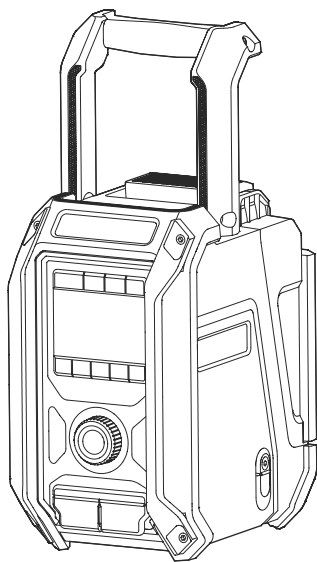
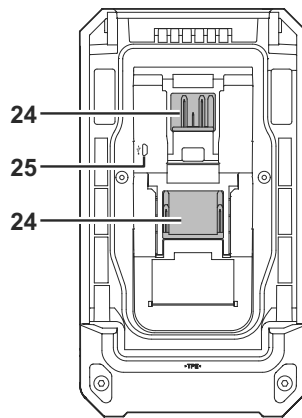
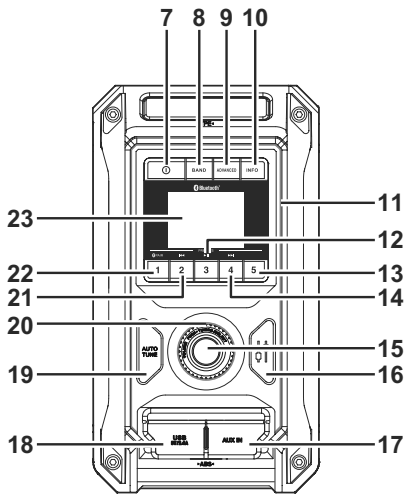
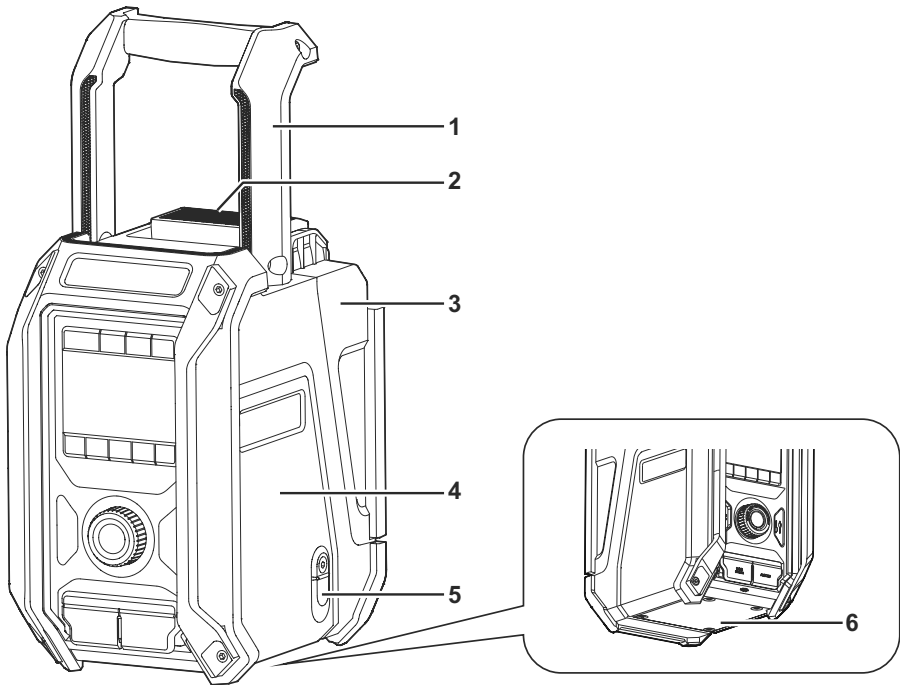


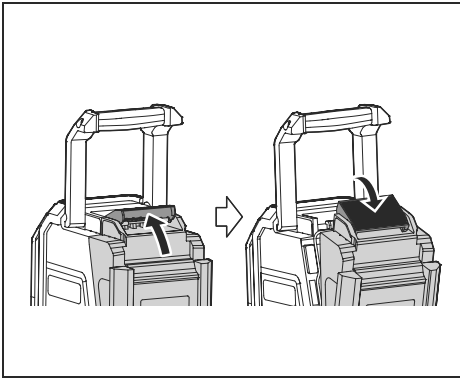


EN	Job Site Radio	Instruction manual	4
FR	Radio de chantier	Manuel d'utilisation	15
DE	Baustellenradio	Bedienungsanleitung	28
IT	Radio per luoghi di lavoro	Manuale delle istruzioni	41
NL	Bouwradio	Handleiding	52
ES	Radio de Trabajo	Manual de instrucciones	65
PT	Rádio a Bateria	Manual de instruções	78
DA	Byggepladsradio	Brugsanvisning	91
EL	Ραδιόφωνο εργοταξίου	Εγχειρίδιο οδηγιών	102
TR	İşyeri Radyosu	Kullanma Kilavuzu	115
ZHTW	收音機	說明書	126

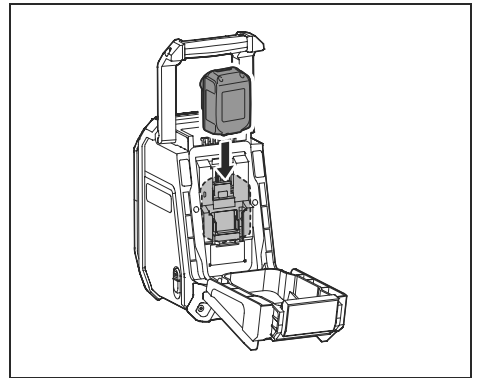
## DMR115



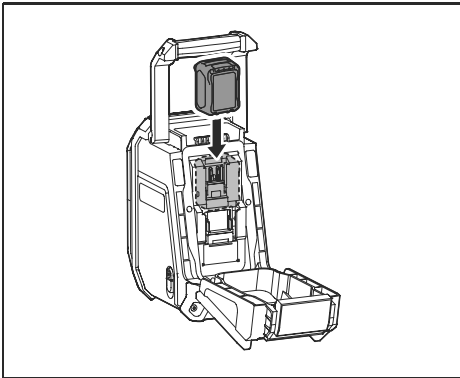




**2**



**3**



**4**

## ENGLISH (Original instructions)

### EXPLANATION OF GENERAL VIEW (Fig. 1)

1. Handle/Built-in antenna(DAB/FM)
2. Battery compartment locker
3. Battery compartment cover (covering battery cartridge)
4. Speaker
5. DC IN socket
6. Subwoofer
7. Power button
8. Band button
9. Advanced setting button
10. Info button
11. LED light
12. Preset 3/Play/Pause button
13. Preset 5 button
14. Preset 4/Next track/Fast-forward button
15. Volume/Tuning control/Select knob
16. EQ control button
17. AUX IN socket
18. USB power supply port
19. Auto tune button
20. EQ mode LED indicator
21. Preset 2/Previous track/Rewind button
22. Preset 1/Bluetooth pairing button
23. LCD display
24. Battery compartment
25. Micro USB port for software upgrade

### SYMBOLS

The following show the symbols used for the equipment. Be sure that you understand their meaning before use.



Read instruction manual.



Only for EU countries.

Do not dispose of electric equipment or battery pack together with household waste material! In observance of the European Directives, on Waste Electric and Electronic Equipment and Batteries and Accumulators and their implementation in accordance with national laws, electric equipment and batteries and battery pack(s) that have reached the end their life must be collected separately and returned to an environmentally compatible recycling facility.

## IMPORTANT SAFETY INSTRUCTIONS

### **WARNING:**

When using electric tools, basic safety precautions should always be followed to reduce the risk of fire, electric shock, and personal injury, including the following:

1. Read this instruction manual and the charger instruction manual carefully before use.
2. Clean only with dry cloth.
3. Do not install near any heat sources such as radiators, heat registers, stoves, or other apparatus (including amplifiers) that produce heat.
4. Only use attachments/accessories specified by the manufacturer.
5. Unplug this apparatus during lightning storms or when unused for long periods of time.
6. A battery operated radio with integral batteries or a separate battery pack must be recharged only with the specified charger for the battery. A charger that may be suitable for one type of battery may create a risk of fire when used with another battery.
7. Use battery operated radio only with specifically designated battery packs. Use of any other batteries may create a risk of fire.
8. When battery pack is not in use, keep it away from other metal objects like: paper clips, coins, keys, nails, screws, or other small metal objects that can make a connection from one terminal to another. Shorting the battery terminals together may cause sparks, burns, or a fire.
9. Avoid body contact with grounded surfaces such as pipes, radiators, ranges and refrigerators. There is an increased risk of electric shock if your body is grounded.
10. Under abusive conditions, liquid may be ejected from the battery; avoid contact. If contact accidentally occurs, flush with water. If liquid contacts eyes, additionally seek medical help. Liquid ejected from the battery may cause irritation or burns.
11. Do not use a battery pack or tool that is damaged or modified. Damaged or modified batteries may exhibit unpredictable behaviour resulting in fire, explosion or risk of injury.
12. Do not expose a battery pack or tool to fire or excessive temperature. Exposure to fire or temperature above 130 °C(266°F) may cause explosion.
13. Follow all charging instructions and do not charge the battery pack or tool outside the temperature range specified in the instructions. Charging improperly or at temperatures outside the specified

range may damage the battery and increase the risk of fire.

14. The MAINS plug is used as the disconnect device, and it shall remain readily operable.
  15. Do not use the product at a high volume for any extended period. To avoid hearing damage, use the product at moderate volume level.
  16. (For products with LCD display only) LCD displays include liquid which may cause irritation and poisoning. If the liquid enters the eyes, mouth or skin, rinse it with water and call a doctor.
  17. Do not expose the product to rain or wet conditions. Water entering the product will increase the risk of electric shock.
  18. This product is not intended for use by persons (including children) with reduced physical, sensory or mental capabilities, or lack of experience and knowledge, unless they have been given supervision or instruction concerning use of the product by a person responsible for their safety. Children should be supervised to ensure that they do not play with the product. Store the product out of the reach of children.
8. battery cartridge can explode in a fire.
  8. Be careful not to drop or strike battery.
  9. Do not use a damaged battery.
  10. To avoid risk, the manual of replaceable the battery should be read before use. And the max discharging current of the battery should be greater than or equal to 8A.
  11. The contained lithium-ion-batteries are subject to the Dangerous Goods Legislation requirements. For commercial transports e.g. by third parties, forwarding agents, special requirement on packaging and labeling must be observed. For preparation of the item being shipped, consulting an expert for hazardous material is required. Please also observe possibly more detailed national regulations. Tape or mask off open contacts and pack up the battery in such a manner that it cannot move around in the packaging.
  12. When disposing the battery cartridge, remove it from the tool and dispose of it in a safe place. Follow your local regulations relating to disposal of battery.
  13. Use the batteries only with the products specified by Makita. Installing the batteries to non-compliant products may result in a fire, excessive heat, explosion, or leak of electrolyte. If the tool is not used for a long period of time, the battery must be removed from the tool.

## SAVE THESE INSTRUCTIONS

### SPECIFIC SAFETY RULES

#### FOR BATTERY CARTRIDGE

1. Before using battery cartridge, read all instructions and cautionary markings on (1) battery charger, (2) battery, and (3) product using battery.
2. Do not disassemble battery cartridge.
3. If operating time has become excessively shorter, stop operating immediately. It may result in a risk of overheating, possible burns and even an explosion.
4. If electrolyte gets into your eyes, rinse them out with clear water and seek medical attention right away. It may result in loss of your eyesight.
5. Do not short the battery cartridge:
  - (1) Do not touch the terminals with any conductive material.
  - (2) Avoid storing battery cartridge in a container with other metal objects such as nails, coins, etc.
  - (3) Do not expose battery cartridge to water or rain. A battery short can cause a large current flow, overheating, possible burns and even a breakdown.
6. Do not store the tool and battery cartridge in locations where the temperature may reach or exceed 50°C (122°F).
7. Do not incinerate the battery cartridge even if it is severely damaged or is completely worn out. The

#### CAUTION:

- **Danger of explosion if battery is incorrectly replaced.**
- **Replace only with the same or equivalent type.**
- **Only use genuine Makita batteries. Use of non-genuine Makita batteries, or batteries that have been altered, may result in the battery bursting causing fires, personal injury and damage. It will also void the Makita warranty for the Makita tool and charger.**

#### Tips for maintaining maximum battery life

1. Charge the battery cartridge before completely discharged. Always stop tool operation and charge the battery cartridge when you notice less tool power.
2. Never recharge a fully charged battery cartridge. Overcharging shortens the battery service life.
3. Charge the battery cartridge with room temperature at 10°C - 40°C (50°F - 104°F). Let a hot battery cartridge cool down before charging it.
4. Charge the battery cartridge if you do not use it for a long period (more than six months).

## OPERATING TIME

The suitable battery packs for this radio listed as the following table.

The following table indicates the operating time on a single charge.

Battery capacity	Battery cartridge voltage			AT SPEAKERS OUTPUT = 100mW Unit: Hour (Approximately)	
	10.8V –12Vmax	14.4V	18V	In Radio or AUX	In Bluetooth + USB Charging
1.3 Ah		BL1415		3.5	0.7
			BL1815	4.0	1.0
1.5 Ah	BL1015 BL1016			5.5	0.8
		BL1415N BL1415NA		4.5	0.9
			BL1815N	5.0	1.2
2.0 Ah	BL1020B BL1021B			7.0	1.0
			BL1820 BL1820B	6.5	1.6
3.0 Ah		BL1430 BL1430B BL1430A		8.0	1.6
			BL1830 BL1830B	9.0	2.3
4.0 Ah	BL1040B BL1041B			14	2.1
		BL1440		12	2.5
			BL1840 BL1840B	13	3.2
5.0Ah		BL1450		15	3.0
			BL1850 BL1850B	16	4.2
6.0 Ah		BL1460B BL1460A		16	3.3
			BL1860B	20	5.0

### WARNING:

Only use the battery cartridges listed above. Use of any other battery cartridges may cause injury and/or fire.

### NOTE:

- Table regarding to the battery operating time above is for reference.
- The actual operating time may differ with the type of the battery, charging condition, or usage environment.
- Some of the battery cartridges and chargers listed above may not be available depending on your region of residence.

# INSTALLATION AND POWER SUPPLY (FIG.2)

## ⚠ CAUTION:

- Be careful not to pinch your fingers when opening and closing the battery cover.
- Return the battery compartment locker to the original position, after installing or removing battery cartridge. If not, battery cartridge may accidentally fall out of the radio, causing injury to you or someone around you.
- Always close and lock the battery compartment locker before moving the radio.
- Always switch off the radio before installing or removing the battery cartridge.
- Be careful not to drop or strike the radio. Broken shell may slash your finger or stab your body. Damaged radio may exhibit unpredictable behaviour resulting in fire, explosion or risk of injury.

## IMPORTANT:

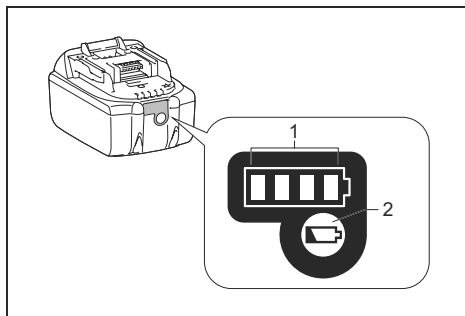
- Reduced power, distortion, "stuttering sound" or when " ! Battery Low" appears on the display are all the signs that the main battery pack needs to be replaced.
- The battery cartridge can't be charged via the supplied AC power adaptor.
- The battery cartridge is not included as standard accessories.

## Installing or removing slide battery cartridge (Fig. 3 & 4)

- To install the battery cartridge, align the tongue on the battery cartridge with the groove in the housing and slip it into place. Always insert it all the way until it locks in place with a little click.
- If you can see the red indicator on the upper side of the button, it is not locked completely. Install it fully until the red indicator cannot be seen. If not, it may accidentally fall out of the radio, causing injury to you or someone around you.
- Do not use force when installing the battery cartridge. If the cartridge does not slide in easily, it is not being inserted correctly.
- To remove the battery cartridge, slide it from the radio while sliding the button on the front of the cartridge.

## Indicating the remaining battery capacity

\* Only for battery cartridges with "B" at the end of the model number.



## ➤ 1. Indicator lamps 2. Check button

Press the check button on the battery cartridge to indicate the remaining battery capacity. The indicator lamps light up for few seconds.

## • 14.4V/18V batteries

Indicator or lamps			Remaining Capacity
Lighted	Off	Blinking	
■ ■ ■ ■			75% ~ 100%
■ ■ ■ □			50% ~ 75%
■ ■ □ □			25% ~ 50%
■ □ □ □			0% ~ 25%
▣ □ □ □			Charge the battery
■ ■ □ □	↑ ↓	■ ■	The battery may have malfunctioned

## • 10.8V-12V max batteries

Indicator or lamps			Remaining Capacity
Lighted	Off	Blinking	
■ ■ ■ ■			75% ~ 100%
■ ■ ■ □			50% ~ 75%
■ ■ □ □			25% ~ 50%
■ □ □ □			0% ~ 25%

## NOTE:

Depending on the conditions of use and the ambient temperature, the indication may differ slightly from the actual capacity.

## Using supplied AC power adaptor

Remove the rubber protector and insert the adaptor plug into the DC socket on the right hand side of the radio. Plug the adaptor into a standard mains socket outlet. Whenever the adaptor is used, the battery pack is automatically disconnected.

### ⚠ CAUTION:

- **Always disconnected the AC power adaptor completely before moving the radio. If the AC adaptor is not removed, it may cause an electric shock.**
- **Never pull and/or drag the cord of the adaptor. If not, the radio may accidentally fall down, causing injury to you or someone around you.**

### IMPORTANT:

- The mains adaptor is used as the means of connecting the radio to the mains supply. The mains socket used for the radio must remain accessible during normal use.
- In order to disconnect the radio, the mains adaptor should be removed from the mains outlet completely.
- Use the AC power adaptor supplied with the product or specified by Makita only.
- Do not hold the power supply cable and plug by your mouth. Doing so might cause an electric shock.
- Do not touch the power plug with wet or greasy hands.
- Damaged or entangled cords increase the risk of electric shock. If the cord is damaged, have it replaced by our authorized service center in order to avoid a safety hazard. Do not use it before repair.
- After use, always store AC power adaptor out of the reach of children. If Children play with the cord, they may suffer injury.

## Charging with USB power supply port

There is the USB port at the front side of the radio. You can charge USB device through the USB port.

1. Connect the USB device, such as a MP3, or CD player, with USB cable available in the market.
2. Press the Power button to switch on your radio.
3. No matter if the radio is AC powered or battery powered, the radio can charge the USB device when the radio is switched on and in DAB/FM radio mode, or BT mode, or AUX mode, which is appeared when an external audio source is connected.

### NOTE:

- The maximum volume of the output power speaker will decrease when your USB is charging.
- The USB socket can provide max 5V/2.4A of electrical current.

### IMPORTANT:

- Before connecting USB device to the charger, always backup your data of USB device. Otherwise your data

may lose by any possibility.

- The charger may not supply power to some USB devices.
- When not using or after charging, remove the USB cable and close the cover.
- Do not connect power source to USB port. Otherwise there is risk of fire. The USB port is only intended for charging lower voltage device. Always place the cover onto the USB port when not charging the lower voltage device.
- Do not insert a nail, wire, etc. into USB power supply port. Otherwise a circuit short may cause smoke and fire.
- Do not connect this USB socket with your PC USB port, as it is highly possible that it may cause breakdown of the units.

## LISTENING TO THE RADIO

This radio has three tuning methods- Scan tuning, Manual tuning and Memory presets recall.

### Selecting a station – DAB

#### Note:

The DAB antenna is built into the handle. When operating the radio, please straighten the handle properly above the radio to get better reception.

1. Press the Power button to switch on your radio.
2. Select the DAB mode by pressing the Band button.
3. Press the Tuning Control knob to enter the list of the stations. Or you can also press the Advanced setting button and then rotate the Tuning Control knob to select "Station List". Press the Tuning Control knob to enter the list of the stations.
4. Rotate the Tuning Control knob to scroll through the list of available stations. Press the Tuning Control knob to select the station.
5. Adjust the desired volume by rotating the Volume knob.

### Display modes – DAB

Your radio has a range of display options in the DAB mode.

Press the Info button to cycle through the different options.

- a. Dynamic Label Segment Supplementary data services in text form (up to 128 characters) running alongside the DAB or DAB+ radio programme. Displays scrolling text messages such as artist/track name, phone in number, etc.
- b. Program type Displays the type of station being listened to such as Pop, Classic, News etc.



- c. Multiplex name Displays the name of the DAB multiplex to which the current station belongs.
- d. Frequency and channel Displays the frequency and channel number for the currently tuned DAB station.
- e. Signal error/strength Displays the signal error and strength for the station being listened to. A lower error number indicates a better quality of radio signal.
- f. Bit rate/Audio type Displays the digital audio bit rate and audio type for the currently tuned DAB station.
- g. Date Displays the current date.

If a DAB broadcast provides a slideshow image, this may be viewed full-screen by pressing and holding the Tuning Control knob. If the broadcast being received is in stereo, then the stereo speaker symbol will be shown at the bottom of the display.

### Finding new stations – DAB

From time to time, new DAB radio stations may become available. Or you may have moved to a different part of the country. In this case you may need to activate your radio to scan for new stations.

To allow the radio to find the available stations, it is recommended to carry out a full scan of the entire DAB Band III frequencies.

1. Press the Power button to switch on your radio.
2. Press the Band button to select DAB radio mode.
3. Press the Auto tune button to initiate the scan. The display will show “Scanning” and your radio will perform a scan of the DAB Band III frequencies. As new stations are found the station counter will increase and stations will be added to the list. The bar graph indicates the progress of the scan.

### Manual tuning – DAB

Manual tuning allows you to tune your radio to a particular DAB frequency in Band III. This function can also be used to assist the positioning of the antenna or the radio so as to optimize reception for a specific channel or frequency.

1. When in DAB mode, press the Advanced setting button to enter the menu setting.
2. Rotate the Tuning Control knob to select “Manual Tune”. Press the Tuning Control knob to enter the manual tuning mode.
3. Rotate the Tuning Control knob to select the desired DAB channel. Press Tuning Control knob to confirm the chosen frequency.

### Dynamic Range Control (DRC) – DAB

DRC feature can make quieter sounds easier to hear when your radio is used in a noisy environment by reducing the dynamic range of the audio signal. There are three levels of compression:

- 1 Maximum compression applied.
  - 1/2 Medium compression applied.
  - 0 No compression applied.
1. When in DAB mode, press the Advanced setting button to enter the menu setting.
  2. Rotate the Tuning Control knob to select “DRC”. Then press the Tuning Control knob to enter the setting. The display will show the current DRC value.
  3. Rotate the Tuning Control knob to select desired DRC setting.
  4. Press the Tuning Control knob to confirm the setting.

### Station order setup – DAB

Your radio has 3 station order settings from which you can choose. The station order settings are alphanumeric, ensemble and valid station.

1. When in DAB mode, press the Advanced setting button to enter the menu setting.
2. Rotate the Tuning Control knob to select “Station order”, then press the Tuning Control knob to enter the setting.
3. Rotate the Tuning Control knob to select the following options and press the Tuning Control knob to confirm the setting.

Alphanumeric	Sorts the station list alpha-numerically 0...9 A...Z.
Ensemble	Organizes the station list by DAB multiplex.
Valid	Shows only those stations for which a signal can be found.

### Scan Tuning – FM

#### Note:

The FM antenna is built into the handle. When operating the radio, please straighten the handle properly above the radio to get better reception.

1. Press the Power button to switch on your radio.
2. Press the Band button to select FM radio mode.
3. Press the Auto tune button and the radio will search and stop automatically when it finds a radio station.
4. After a few seconds the display will update. The display will show the frequency of the signal found. If the signal is strong enough and there is RDS data present then the radio will display the station name.
5. To find other station, press the Auto tune button as before.
6. When the end of the waveband is reached your radio

- will recommence tuning from the opposite end of the waveband.
- Rotate the Volume knob to adjust the sound level as required.

**Note:**

The volume should not be too large. To prevent possible hearing damage, do not listen at high volume levels for long periods.

- To switch off your radio press the Power button.

### Manual tuning – FM

- Press the Power button to switch on your radio.
- Press the Band button to select FM radio mode.
- Press the Tuning control knob to switch to the tuning control mode.
- Rotate the Tuning control knob to find your desired station.
- To adjust the volume, press the Tuning control knob again to switch to the volume control mode.
- Rotate the Volume knob to adjust the sound level as required.

### Display modes – FM (RDS)

Your radio has a range of display options for FM radio mode.

The RDS indicator at the bottom of the display shows that there is some RDS data present in the broadcast being received. The stereo speaker display shows that the radio is receiving a stereo broadcast.

Repeatedly press the Info button to view the RDS (Radio Data System) information of the station you are listening to.

- |                 |  |
|-----------------|--|
| a. Radio text   | Displays radio text message such as new items etc.   |
| b. Program type | Displays the type of station being listened to such as Pop, Classic, News, etc.                                    |
| c. Frequency    | Displays the frequency of the FM signal. (If no RDS information is available, the display will be shown “No Name”. |
| d. Audio mode   | Displays the current audio mode.   |
| e. Date         | Displays the current date.   |

### FM scan zone

When using FM mode, your radio can be set to scan either local stations or to scan all stations including distant radio stations.

- When in FM mode, press the Advanced setting button to enter the menu setting.
- Rotate the Tuning control knob to select “Scan zone”. Press the Tuning control knob to enter the setting. The current audio setting is indicated with a tick.

- Rotate the Tuning control knob to select “Local” (Strong stations only) or “Distant” (All stations). The distant option will allow the radio to find weaker signals when scanning.
- Press Tuning control knob to confirm the setting. The local or distant setting is stored in the radio and remains in force until changed or until a system reset.


### Stereo/Mono setting – FM

If the FM radio station being listened to has a weak signal, some hiss may be audible. It is possible to reduce this hiss by forcing the radio to play the station in mono rather than stereo.

- Ensure your radio is in FM mode and tune to the required FM station.
- Press the Advanced setting button to enter the menu setting.
- Rotate the Tuning control knob to select “Audio Setting”. Press the Tuning control knob to enter the setting. The current audio setting is indicated with a tick.
- Rotate the Tuning control knob to select “Forced Mono” or “Stereo Allowed”. Press Tuning control knob to confirm the setting.

### Presetting stations in DAB and FM modes

There are 5 preset stations each for DAB and FM radio. They are used in the same way for each waveband.

- Press the Power button to switch on your radio.
- Press the Band button to select the desired waveband. Tune to the required radio station as previously described.
- Press and hold the required Preset button until the display shows “Preset 1 saved” (for example).  will be shown at the bottom of the display. The station is then stored in the selected preset button. Repeat this procedure for the remaining presets as you wish.
- Preset stations which have already been stored may be overwritten by following the above procedure if required.

### Recalling a preset in DAB and FM modes

- Press the Power button to switch on your radio.
- Press the Band button to select DAB or FM radio mode.
- Momentarily press the required Preset button to tune to your radio to one of the stations stored in the preset memory.

# MISCELLANEOUS SETTINGS

## Automatically updating the clock

You may specify that the radio sets its clock from DAB or FM radio broadcasts. After a power failure, the radio will then set its clock in the next time that you turn on the radio in DAB or FM mode.

1. With your radio switched on, press the Advanced setting button to access the menu for the current mode.
2. Rotate the Tuning control knob to select "Time/Date". Press the Tuning control knob to enter the setting.
3. Rotate the Tuning control knob to select "Auto Update". Press the Tuning control knob to enter the auto-update menu.
4. Rotate the Tuning control knob to choose an update option from "from Any", "from DAB" or "from FM" as required. Press the Tuning control knob to confirm your choice. The current setting will be marked with a tick.

## Setting the clock format

1. With your radio switched on, press the Advanced setting button to access the menu for the current mode.
2. Rotate the Tuning control knob to select "Time/Date". Press the Tuning control knob to enter the setting.
3. Rotate the Tuning control knob to select "Set 12/24 Hour". Press the Tuning control knob to enter the clock format setting. The current clock display format is marked with a tick.
4. Rotate the Tuning control knob to select 12 or 24 hour format. Press the Tuning control knob to confirm your setting. If the 12 hour clock format is chosen, the radio will display a 12 hour clock with an AM or PM indicator.

## Setting the date format

1. With your radio switched on, press the Advanced setting button to access the menu for the current mode.
2. Rotate the Tuning control knob to select "Time/Date". Press the Tuning control knob to enter the setting.
3. Rotate the Tuning control knob to select "Set Date Format". Press the Tuning control knob to enter the setting.
4. Rotate the Tuning control knob to select "DD-MM-YYYY" or "MM-DD-YYYY" date format. Press the Tuning control knob to confirm the setting.

## Loudness

You can get compensation on lower and higher frequency for your radio by adjusting the loudness function.

1. With your radio switched on, press the Advanced setting button to access the menu for the current mode.
2. Rotate the Tuning control knob to select "Loudness". Press the Tuning control knob to enter the setting.
3. Rotate the Tuning control knob to select "On" to turn on the loudness function. To turn off the loudness function, select "Off". Press the Tuning control knob to confirm the setting.

## Language options

There are eight language options available in the radio: English, German, Italian, French, Dutch, Danish, Norwegian and Polish.

1. With your radio switched on, press the Advanced setting button to access the menu for the current mode.
2. Rotate the Tuning control knob to select "Language". Press the Tuning control knob to enter the setting.
3. Rotate the Tuning control knob to choose your desired language. Press the Tuning control knob to confirm your setting.

## Factory reset

If you wish to completely reset your radio to its initial state this may be performed by following this procedure. By performing a factory reset, all user entered settings will be erased.

1. With your radio switched on, press the Advanced setting button to access the menu for the current mode.
2. Rotate the Tuning control knob to select "Factory Reset". Press the Tuning control knob to enter the setting.
3. Rotate the Tuning control knob to select "Yes" or "No". If you do not wish to carry out a system reset, select "No" and then press the Tuning control knob to confirm the setting. With "Yes" selected, press the Tuning control knob. A full reset will be performed. The station list and presets will be erased. All settings will be set to their default values.

In case of malfunction due to electrostatic discharge, reset the product (reconnection of power source may be required) to resume normal operation.

## Micro USB port for software upgrade

Software updates for your radio may be available in the future.

As software updates become available software and information on how to update your radio can be found at **Makita website**.

1. Using the micro USB cable (not supplied) to connect the USB socket in the battery compartment and your PC.

2. With your radio switched on, press the Advanced setting button to access the menu for the current mode.
3. Rotate the Tuning control knob to select "Software Update". Press the Tuning control knob to enter the setting.
4. Rotate the Tuning control knob to select "Yes" or "No". If you do not wish to carry out a software upgrade, select "No" and press the Tuning control knob to confirm the setting. With "Yes" selected, press the Tuning control knob. The display will show "Waiting for PC wizard". Go to the website to download the latest software. Follow the on-screen instructions on your PC provided with the upgrade software to complete the software upgrade.

**Note:**

Please use AC power adaptor as main power when upgrading software. Do not switch off the power to the radio until the update operation is complete and the radio has restarted, otherwise the unit may become permanently damaged.

### Software version

1. With your radio switched on, press the Advanced setting button to access the menu for the current mode.
2. Rotate the Tuning control knob to select "Software Version". Press the Tuning control knob to display the software version.

### Equalizer function

There are 7 kinds of color LED indicators around the Tuning control knob to indicate different EQ modes.

1. Press the Power button to switch on your radio.
2. Press the EQ control button to enter the EQ setting menu.
3. Rotate the Tuning control knob to select your required mode. Then press the Tuning control knob to confirm the selection.

EQ mode	LED indicator
Flat	White
Jazz	Blue
Rock	Red
Classic	Brown
Pop	Pink
News	Yellow
MY EQ	Green

### Set up My EQ profile

1. Press the EQ control button to enter the EQ setting menu.
2. Rotate the Tuning control knob to select "MY EQ

Setup". Then press the Tuning control knob to enter the setting menu.

3. Rotate the Tuning control knob to select "Treble" setting. Press the Tuning control knob to enter the setting. Rotate the Tuning control knob to select your required treble level. Press the Tuning control knob to confirm the setting.
4. Rotate the Tuning control knob to select "Middle" setting. Press the Tuning control knob to enter the setting. Rotate the Tuning control knob to select your required middle level. Press the Tuning control knob to confirm the setting.
5. Rotate the Tuning control knob to select "Bass" setting. Press the Tuning control knob to enter the setting. Rotate the Tuning control knob to select your required bass level. Press the Tuning control knob to confirm the setting.

**Note:**

When using the equalizer to emphasize the bass and listening at high volume levels, it may cause sound cracking and distortion. In this case, adjust the radio volume appropriately.

## LISTENING TO MUSIC VIA BLUETOOTH STREAMING

You need to pair your Bluetooth device with the radio before you can auto-link to play/stream Bluetooth music through the radio. Pairing creates a 'bond' so two devices can recognize each other.

**Note:**

- To have the better sound quality, we recommend setting the volume to more than two-thirds level on your Bluetooth device and then adjust the volume on the radio as required.
- The radio can memorize up to 8 sets of paired device, when the memory exceed this amount, the oldest pairing history will be over written.

### Pairing your Bluetooth device for the first time

1. Press the Power button to turn on the radio. Press the Band button to select Bluetooth mode. The display will appear "BT Pair" and the Preset buttons (1-5) flash white light to show the radio is discoverable.
2. Activate Bluetooth on your device according to the device's user manual to link to the radio. Locate the Bluetooth device list and select the device named "DMR115" (With some mobiles which are equipped with earlier versions than BT2.1 Bluetooth device, you may need to input the pass code "0000").
3. Once connected, there will be a confirmation tone sound. The Preset buttons (1-5) will remain in solid white. You can simply select and play any music from

your source device. Volume control can be adjusted from your source device, or directly from the radio.

4. Use the controls on your Bluetooth-enabled device or on the radio to play/pause and navigate tracks.

**Note:**

- If 2 Bluetooth devices, pairing for the first time, both search for the radio, it will show its availability on both devices. However, if one device links with this unit first, then the other Bluetooth device won't find it on the list.
- If your Bluetooth device is temporarily disconnected to the radio, then you need to manually reconnect your device again to the radio.
- If "DMR115" shows in your Bluetooth device list but your device cannot connect with it, please delete the item from your list and pair the device with the radio again following the steps described previously.
- Optimum Bluetooth streaming range is roughly 10 meters (30 feet) (line of sight) to the radio but distance up to 30 meters (100 feet) are possible.
- If Bluetooth connection is lost due to exceeding time of separation, exceeding the optimum distance, obstacles or otherwise, reconnecting your device with the radio may be necessary.
- Physical obstacles, other wireless devices or electromagnetic devices may affect the connection quality.
- Bluetooth connectivity performance may vary depending on the connected Bluetooth devices. Please refer to the Bluetooth capabilities of your device before connecting to the radio. All features may not be supported on some paired Bluetooth devices.

### Playing audio files in Bluetooth mode

When you have successfully connected the radio with the chosen Bluetooth device you can start to play your music using the controls on your connected Bluetooth device.

1. Once playing has started, adjust the volume to the required setting using the Volume knob on the radio or on your enabled Bluetooth device.
2. Use the controls on your Bluetooth source device to play/pause and navigate tracks. Alternatively, control the playback using Play/Pause, Next track, Previous track buttons on your radio.
3. Press and hold the Fast-forward or Rewind button to move through the current track. Release the button when the desired point is reached.

**Note:**

- Some player applications or devices may not respond to all of these controls.
- Some mobile phones may temporarily disconnect from the radio when you make or receive calls. Some

devices may temporarily mute their Bluetooth audio streaming when they receive text messages, emails or for other reasons unrelated to audio streaming. Such behaviour is a function of the connected device and does not indicate a fault with the radio.

### Playing a previously-paired Bluetooth source device

If your Bluetooth device already paired with the radio previously, the unit will memorize your Bluetooth device and it attempts to reconnect with a device in memory which is last connected. If the last connected device is not available, the radio will be discoverable.

### Disconnecting your Bluetooth device

Press and hold the Bluetooth pairing button for 2-3 seconds until "BT Pair" is shown on the display or turn off Bluetooth on your Bluetooth device to disable the connection.

You can also press the Band button to select any mode other than Bluetooth mode to disable the connection.

### Deleting Bluetooth paired device memory

To clear the memory of all paired devices, press and hold the Bluetooth pairing button more than 7 seconds until "Clearing" shows on the display.

## AUXILIARY INPUT SOCKET

A 3.5mm Auxiliary input socket is provided at the front of your radio to permit an audio signal to be fed into the unit from an external audio device such as a MP3 or CD player.

1. Connect an external audio source (for example, MP3 or CD player) to the AUX IN socket.
2. Press the Power button to switch on your radio.
3. Repeatedly press and release the Band button until "AUX IN" is displayed.
4. To have the better sound quality, we recommend setting the volume to more than two-thirds level on your audio device and then adjust the volume on the radio as required.

**Note:**

Audio cord is not included as standard accessories.

## MAINTENANCE

**⚠ CAUTION:**

- Never use gasoline, benzine, thinner, alcohol or the like. Discoloration, deformation or cracks may result.
- Do not wash the radio with water.

# SPECIFICATIONS

<b>Power requirements</b>	
AC power adaptor	DC 12V 2.5A, center pin positive
Battery	Slide battery: 10.8V-18V
Frequency coverage	FM87.50-108MHz (0.05MHz/step) DAB/DAB+ 174.928-239.200 MHz
DAB/DAB+ Channel block	DAB (Band III) 5A-13F
Compatible standard	DAB/DAB+

<b>Bluetooth®</b> (The Bluetooth® word mark and logos are registered trademarks owned by Bluetooth SIG, Inc.)	
Bluetooth version	5.0 Certified
Bluetooth Profiles	A2DP/SCMS-T/AVRCP
Transmission Power	Power Class2
Transmission Range	Optimum: Max.10 meters (33 feet) Possible: Max.30 meters (100 feet) (varies according to usage conditions)
Bluetooth Codec	SBC, AAC
Maximum radio-frequency power	BT EDR: 1.91dBm BT LE: 0.21dBm
Operating Frequency	2402MHz~2480MHz

<b>Circuit feature</b>	
Loudspeaker	2.5 inches 8 ohm x 2 4 inches 6 ohm x1
Output power	10.8V-12Vmax: 2W x 2 + 10W 14.4V: 3W x 2 + 15W 18V: 5W x 2 + 25W
Input terminal	3.5mm dia. (AUX IN)
Antenna system	DAB/FM: Built-in antenna
Dimensions (L x W x H)	268 x 164 x 295 mm
Weight	4.8 KG (without battery)

## FRANÇAIS (Instructions d'origine)

### INTERPRETATION DE LA VUE GENERALE (Fig. 1)

1. Poignée/Antenne intégrée(DAB/FM)
2. Loquet du compartiment de la batterie
3. Clapet du compartiment de la batterie (recouvrant le bloc de batterie)
4. Haut-parleur
5. Prise DC IN
6. Caisson de basse
7. Bouton d'alimentation (Power)
8. Bouton Bande
9. Bouton Paramètres avancés
10. Bouton Info
11. Voyant LED
12. Bouton de présélection 3/Lecture/Pause
13. Bouton de présélection 5
14. Bouton de présélection 4/Piste suivante/ avance rapide
15. Bouton Volume/réglage de la syntonisation/ de sélection
16. Bouton de réglage de l'EQ (Egaliseur)
17. Prise AUX IN
18. Prise d'alimentation USB
19. Bouton Auto tune (syntonisation auto)
20. Voyant LED du mode EQ
21. Bouton de présélection 2/Piste précédente/ rembobinage
22. Bouton de présélection 1/couplage Bluetooth
23. Écran LCD
24. Compartiment de la batterie
25. Port micro-USB pour la mise à niveau du logiciel

### SYMBOLES

Les symboles utilisés pour l'équipement sont affichés ci-dessous. Soyez sûr de tout comprendre avant toute utilisation.



Lisez le manuel d'utilisation.



Uniquement pour les pays de l'UE.  
Ne jetez pas le matériel électrique ou le regroupement de batteries d'accumulateurs avec les déchets ménagers ! Conformément aux directives européennes, sur les déchets d'équipements électriques et électroniques, des batteries et

accumulateurs mais aussi des batteries et accumulateurs usagés, ainsi que leur mise en œuvre conformément aux lois nationales, aux équipements électriques et aux batteries et aux regroupements de batteries d'accumulateurs qui ont atteint leur fin de vie, doivent être collectés séparément et être renvoyé à une installation de recyclage suivant les directives pour l'environnement.

### INSTRUCTIONS IMPORTANTES DE SECURITE

#### **AVERTISSEMENT:**

Lorsque vous utilisez des outils électriques, des précautions de base devraient toujours être suivies pour réduire le risque d'incendie, d'électrocution et de blessures, notamment les précautions suivantes:

1. Lisez ce manuel d'utilisation attentivement ainsi que le manuel d'utilisation du chargeur avant de l'utiliser.
2. Nettoyez avec un chiffon sec.
3. N'installez pas à proximité de sources de chaleur telles que radiateurs, registre de chaleur, poêle ou autres appareils (y compris les amplificateurs) qui produisent de la chaleur.
4. N'utilisez que les extensions/accessoires spécifiés par le fabricant.
5. Débranchez cet appareil lors des orages ou lorsqu'il est inutilisé pendant une longue période.
6. Les batteries utilisées pour les radios, qu'elles soient intégrées ou séparées, doivent être rechargées uniquement à l'aide du chargeur de batterie spécifié. Un chargeur qui convient à un type de batterie peut créer un risque d'incendie s'il est utilisé avec une autre batterie.
7. Les radios fonctionnant à l'aide de batteries doivent être utilisées uniquement avec les batteries désignées. L'utilisation d'autres batteries peut créer un risque d'incendie.
8. Lorsque la batterie externe n'est pas utilisée, veuillez le tenir éloigner des autres objets métalliques tels que: les trombones, les pièces de monnaie, les clés, les clous, les vis ou les autres petits objets métalliques qui peuvent établir une connexion d'une borne à un autre. Court-circuiter les bornes de la batterie peut provoquer des étincelles, des brûlures ou un incendie.
9. Évitez tout contact corporel avec des surfaces reliées à la terre telles que les tuyaux, les radiateurs, les cuisinières et les réfrigérateurs. Il y a un risque accru de choc électrique si votre corps est

relié à la terre.

10. Dans des conditions extrêmes, du liquide peut être éjecté depuis la batterie; évitez tout contact avec le liquide. En cas de contact accidentel, rincez avec de l'eau. Si le liquide rentre en contact avec les yeux, consultez un médecin. Le liquide éjecté depuis la batterie peut causer des irritations ou des brûlures.
11. N'utilisez pas le regroupement de batteries d'accumulateurs ou un outil qui a été endommagé voire même modifié. Les batteries endommagées ou modifiées peuvent présenter un comportement imprévisible entraînant un incendie, une explosion ou un risque de blessure.
12. N'exposez pas une batterie ou un outil au feu ou à une température excessive. L'exposition au feu ou à une température supérieure à 130 °C(266°F) peut provoquer une explosion.
13. Suivez toutes les instructions de charge et ne chargez pas la batterie ou l'outil en dehors de la plage de température spécifiée dans les instructions. La charge incorrecte ou à des températures en dehors de la plage spécifiée peut endommager la batterie et augmenter le risque d'incendie.
14. Les prises SECTEUR sont utilisées comme dispositif de déconnexion, et elles doivent rester facilement accessibles.
15. N'utilisez pas le produit à un volume élevé durant une période prolongée. Pour éviter les dommages auditifs, utilisez le produit à un niveau de volume modéré.
16. (pour les produits avec affichage à cristaux liquides seulement) les affichages à cristaux liquides incluent le liquide qui peut causer de l'irritation et un empoisonnement. Si le liquide pénètre dans les yeux, la bouche ou la peau, rincez avec de l'eau et appelez un médecin.
17. N'exposez pas le produit à la pluie ou à des environnements humides. L'eau pénétrant dans le produit augmente le risque de choc électrique.
18. Ce produit n'est pas destiné à être utilisé par des personnes (y compris des enfants) ayant des capacités physiques, sensorielles ou mentales réduites, ou un manque d'expérience et de connaissances, à moins qu'elles aient reçu une supervision ou une formation concernant l'utilisation du produit par une personne responsable pour leur sécurité. Les enfants doivent être surveillés pour s'assurer qu'ils ne jouent pas avec le produit. Entreposez le produit hors de la portée des enfants.

## ENREGISTRER SES INSTRUCTIONS

## REGLES SPECIFIQUES DE SECURITE

### POUR LA CARTOUCHE DE BATTERIE

1. Avant d'utiliser la cartouche de batterie, lisez toutes les instructions et les avertissements concernant (1) le chargeur de batterie, (2) la batterie, et (3) l'équipement utilisant la batterie.
2. Ne démontez pas la cartouche de batterie
3. Si le temps de fonctionnement devient excessivement court, cessez immédiatement l'utilisation. Il peut en résulter un risque de surchauffe, de brûlures et même d'explosion.
4. Si l'électrolyte pénètre dans vos yeux, rincez-les à l'eau claire et consultez un médecin immédiatement. Cela peut entraîner une perte de la vue.
5. Ne court-circuitez pas la cartouche de la batterie:
  - (1) Ne touchez pas les bornes avec un matériau conducteur.
  - (2) Évitez de ranger la cartouche de la batterie dans un conteneur avec d'autres objets métalliques tels que des clous, des pièces de monnaie, etc.
  - (3) N'exposez pas la cartouche de la batterie à l'eau ou à la pluie. Un court-circuit de la batterie peut provoquer un fort courant, une surchauffe, des brûlures et même une panne.
6. Ne rangez pas l'outil ou la cartouche de la batterie dans des endroits où la température peut atteindre ou dépasser 50°C (122°F)
7. N'incinerez pas la cartouche de la batterie même si elle est sérieusement endommagée ou complètement usée. La cartouche de la batterie peut exploser dans un feu.
8. Veillez ne pas laisser tomber ou heurter la batterie.
9. N'utilisez pas de batterie endommagée.
10. Pour éviter tout risque, le manuel de la batterie de remplacement de la batterie doit être lu avant utilisation. Le courant de décharge maximal de la batterie doit être supérieur ou égal à 8A
11. Les batteries lithium-ion sont soumises aux exigences de la législation sur les marchandises dangereuses. Pour les transports commerciaux, par ex. par des tiers, des agents de livraison, des exigences particulières en matière de conditionnement et d'étiquetage doivent être respectées.

Pour la préparation de l'article à expédier, il est nécessaire de consulter un expert pour les matières dangereuses. Veuillez également observer des réglementations nationales éventuellement plus détaillées.

Recouvrez par du scotch ou masquez les contacts ouverts et emballez la batterie de telle manière qu'elle ne puisse pas bouger dans l'emballage.



12. Lors de la mise au rebut de la cartouche de batterie, retirez la batterie de l'appareil et éliminez la cartouche vide dans un endroit sûr prévu à cet effet selon les lois environnementales en vigueur. Suivez les réglementations locales relatives à l'élimination des batteries.
13. Utilisez les batteries uniquement avec les produits spécifiés par Makita. L'installation des batteries dans des produits non conformes peut entraîner un incendie, une chaleur excessive, une explosion ou une fuite d'électrolyte.  
Si l'appareil n'est pas utilisé pendant une longue période, retirez la batterie.

**⚠ MISE EN GARDE:**

- **Risque d'explosion si la batterie est incorrectement remplacée.**
- **Remplacez uniquement avec le même type ou équivalent.**
- **n'utilisez que des batteries Makita authentiques. L'utilisation de batteries Makita non authentiques, ou des batteries qui ont été modifiées, peut provoquer une explosion de la batterie provoquant des incendies, des blessures et des dégâts. Cela annulera également la garantie Makita pour l'outil Makita et le chargeur.**

## **Conseils pour maintenir la durée de vie de la batterie au maximum**

1. Chargez la cartouche de la batterie avant qu'elle ne soit complètement déchargée. Arrêtez toujours le fonctionnement de l'équipement et rechargez la cartouche de la batterie lorsque vous remarquez que la puissance de l'équipement est faible.
2. Rechargez jamais une cartouche de batterie qui est déjà complètement chargée. La surcharge réduit la durée de vie de la batterie.
3. Rechargez la cartouche de batterie à une température ambiante de 10°C à 40°C (50°F - 104°F). Laissez la cartouche de batterie chaude se refroidir avant de la charger.
4. Rechargez la cartouche de batterie si vous ne l'utilisez pas pendant une longue période (plus de six mois).

# TEMPS DE FONCTIONNEMENT

Les blocs de batterie appropriés pour cette radio sont répertoriés dans le tableau suivant.

Le tableau suivant indique le temps de fonctionnement sur une seule charge.

Capacité de la batterie	Tension de la batterie			SORTIE DU HAUT-PARLEUR = 100 mW Unité: Heures (Approximative)	
	10.8V –12Vmax	14.4V	18V	En mode Radio ou AUX	En mode Bluetooth + recharge USB
1.3 Ah		BL1415		3.5	0.7
			BL1815	4.0	1.0
1.5 Ah	BL1015 BL1016			5.5	0.8
		BL1415N BL1415NA		4.5	0.9
			BL1815N	5.0	1.2
2.0 Ah	BL1020B BL1021B			7.0	1.0
			BL1820 BL1820B	6.5	1.6
3.0 Ah		BL1430 BL1430B BL1430A		8.0	1.6
			BL1830 BL1830B	9.0	2.3
4.0 Ah	BL1040B BL1041B			14	2.1
		BL1440		12	2.5
			BL1840 BL1840B	13	3.2
5.0Ah		BL1450		15	3.0
			BL1850 BL1850B	16	4.2
6.0 Ah		BL1460B BL1460A		16	3.3
			BL1860B	20	5.0

## **AVERTISSEMENT:**

n'utilisez que les cartouches de batterie énumérées ci-dessus. L'utilisation de toute autre cartouche de batterie peut causer des blessures et/ou des incendies.

### Remarque:

- Le tableau concernant la durée de fonctionnement de la batterie ci-dessus est présenté comme référence.
- Le temps de fonctionnement réel peut différer du type de la batterie, de la condition de la charge ou de l'environnement d'utilisation.
- Certaines cartouches de batterie et chargeurs de batterie énumérés ci-dessus peuvent ne pas être disponibles selon votre région de résidence.

# INSTALLATION ET ALIMENTATION FOURNIE (FIG.2)

## ⚠ ATTENTION:

- Veuillez faire attention à ne pas vous pincer les doigts en ouvrant ou fermant le clapet de la batterie.
- Remettez le loquet du compartiment de la batterie dans sa position initiale après l'ajout ou le retrait de la batterie. À défaut, elle risque de tomber accidentellement de la radio et de vous blesser ou de blesser une personne située près de vous.
- Fermez et verrouillez le compartiment de la batterie avant tout déplacement de la radio.
- Éteignez toujours la radio avant d'installer et de retirer le bloc de batterie.
- Prenez garde de ne pas laisser tomber ou cogner la radio. Le boîtier cassé pourrait vous entailler un doigt ou provoquer de plus graves blessures. La radio endommagée pourrait fonctionner de manière imprévisible, provoquant des risques de blessures, d'explosion ou d'incendie.

## IMPORTANT:

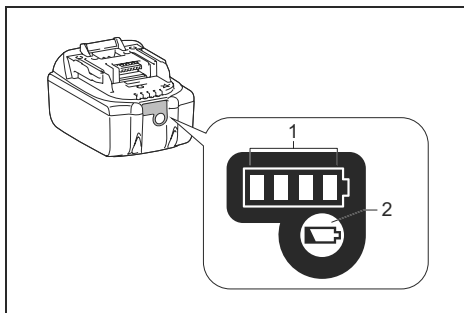
- Une baisse de puissance, une distorsion sonore, un son saccadé ou l'affichage de « ! Battery Low » (Batterie faible) sur l'écran sont les signes que le bloc de batterie principal a besoin d'être remplacé.
- La batterie ne peut être chargée via l'adaptateur d'alimentation secteur fourni.
- La batterie n'est pas incluse dans les accessoires de base.

## Installation et retrait d'une batterie coulissante (Fig. 3 & 4)

- Pour installer la batterie, alignez sa languette sur la rainure qui se trouve à l'intérieur du logement, puis faites glisser la batterie pour la mettre en place. Insérez-la toujours bien à fond, jusqu'à ce qu'elle se verrouille en émettant un léger déclic.
- Si vous voyez le voyant rouge sur la face supérieure du bouton, la batterie n'est pas parfaitement verrouillée. Installez-la à fond, jusqu'à ce que le voyant rouge ne soit plus visible. À défaut, elle risque de tomber accidentellement de la radio et de vous blesser ou de blesser une personne située près de vous.
- N'appliquez pas une force excessive lors de l'insertion de la batterie. Si la batterie ne glisse pas aisément, elle n'est pas insérée correctement.
- Pour retirer la batterie, faites-la glisser hors de la radio tout en faisant glisser le bouton à l'avant de la cartouche.

## Indication de l'autonomie restante de la batterie

\* Uniquement pour les batteries dont le numéro de modèle se termine par la lettre « B ».



➤ 1. Voyant des Lampes 2. Bouton de vérification

Appuyez sur le bouton de vérification pour indiquer l'autonomie restante de la batterie. Les voyants s'allument alors pendant quelques secondes.

### • Batteries de 14,4V/18V

Voyant des lampes			Capacité restante
Allumés	Eteintes	Clignotant	
■ ■ ■ ■			75% ~ 100%
■ ■ ■ □			50% ~ 75%
■ ■ □ □			25% ~ 50%
■ □ □ □			0% ~ 25%
◻ □ □ □			Rechargez la batterie
■ □ □ □	↑ ↓	■ ■	La batterie semble mal fonctionnée

### • Batteries de 10,8V-12V max

Voyant des lampes			Capacité restante
Allumés	Eteintes	Clignotant	
■ ■ ■ ■			75% ~ 100%
■ ■ ■ □			50% ~ 75%
■ ■ □ □			25% ~ 50%
■ □ □ □			0% ~ 25%

## REMARQUE:

Selon les conditions d'utilisation et la température ambiante, le voyant peut différer légèrement de la capacité réelle.

## Utilisation de l'adaptateur secteur fourni

Retirez la protection en caoutchouc et insérez la fiche de l'adaptateur dans la prise CC située sur le côté droit de la radio. Branchez l'adaptateur dans une prise secteur standard. Chaque fois que l'adaptateur est utilisé, la batterie est automatiquement déconnectée.

### ⚠ ATTENTION:

- **Déconnectez toujours complètement l'adaptateur secteur avant de déplacer la radio. Si l'adaptateur secteur n'est pas retiré, cela peut provoquer un risque d'électrocution.**
- **Ne jamais tirer et trainer le cordon de l'adaptateur. Si vous le faites, la radio risque de tomber accidentellement, vous blessant ou blessant les gens situés autour de vous.**

### IMPORTANT:

- L'adaptateur secteur est utilisé pour connecter la radio à l'alimentation secteur. La prise secteur utilisée pour la radio doit rester accessible pendant l'utilisation normale.
- Pour déconnecter la radio, débranchez complètement l'adaptateur secteur de la prise de courant.
- Utilisez l'adaptateur secteur fourni avec le produit ou uniquement celui spécifié par MAKITA.
- Ne tenez pas le câble d'alimentation et ne le mettez pas dans votre bouche. Cela peut provoquer un choc électrique.
- Ne touchez pas le câble d'alimentation avec les mains mouillées ou grasses.
- Les cordons endommagés ou emmêlés augmentent le risque d'électrocution. Si le cordon est endommagé, faites-le remplacer par notre centre de service autorisé afin d'éviter tout risque de sécurité. Ne l'utilisez surtout pas avant la réparation.
- Après utilisation, rangez toujours l'adaptateur secteur hors de la portée des enfants. Si les enfants jouent avec le cordon d'alimentation, ils encourent des risques de blessures.

## Rechargement à partir du port USB

Le port USB se trouve sur la façade de la radio. Vous pouvez charger l'appareil USB à partir du port USB.

1. Branchez l'appareil USB, par exemple un lecteur MP3 ou un lecteur CD, à l'aide d'un câble USB vendu dans le commerce.
2. Appuyez sur le bouton d'alimentation « Power » pour allumer votre radio.
3. Que la radio soit branchée sur une prise secteur

ou alimentée par la batterie, elle sera en mesure de charger l'appareil USB lorsqu'elle est allumée en mode radio DAB/FM, en mode BT ou en mode AUX, lesquels apparaissent lorsqu'une source audio externe est raccordée.

### Remarque:

- Le volume maximum du haut-parleur émettant la puissance de sortie diminue lors du rechargement à partir du port USB.
- La prise USB peut fournir un courant électrique maximum de 2.4A ou 5 V.

### IMPORTANT:

- Avant de brancher votre appareil USB au port USB, sauvegardez toujours vos données enregistrées sur l'appareil USB. Dans le cas contraire, vous risquez de les perdre par accident.
- Il est possible que la radio ne puisse pas alimenter certains appareils USB.
- Retirez le câble USB et fermez le couvercle lorsque vous ne l'utilisez pas ou lorsque le chargement est terminé.
- Ne branchez pas une source d'alimentation dans le port USB. Il y a risque d'incendie. Le port USB est destiné uniquement au rechargement d'appareils de faible tension. Placez toujours le couvercle sur le port USB lorsque vous ne rechargez pas d'appareils de faible tension.
- N'insérez pas de clou, fil, etc., dans le port USB. Vous pourriez provoquer un court-circuit et déclencher un incendie et la formation de fumée.
- Ne branchez pas cette prise USB dans le port USB de votre PC, au risque de provoquer une panne des appareils.

## FONCTIONNEMENT DE LA RADIO

Cette radio dispose de trois méthodes de syntonisation: la syntonisation par balayage, la syntonisation manuelle et le rappel des présélections en mémoire.

### Sélection d'une station – DAB

#### Remarque:

L'antenne pour la bande DAB est intégrée dans la poignée. Lorsque vous utilisez la radio, veuillez redresser correctement la poignée au-dessus de la radio pour obtenir une meilleure réception.

1. Appuyez sur le bouton d'alimentation pour allumer votre radio.
2. Appuyez sur le bouton Bande pour sélectionner le mode DAB.
3. Appuyez sur le bouton de réglage de la syntonisation enfoncé pour afficher la liste des stations. Vous pouvez également appuyer sur le bouton Paramètres

avancés, puis tourner le bouton de réglage de la syntonisation pour sélectionner « Liste des stations ». Appuyez sur le bouton de réglage de la syntonisation pour entrer dans la liste des stations.

4. Tournez le bouton de réglage de la syntonisation pour faire défiler la liste des stations disponibles. Appuyez sur le même bouton pour sélectionner la station.
5. Réglez le volume souhaité en tournant le bouton de volume.

## Modes d'affichages – DAB

Votre radio possède plusieurs options d'affichage pour le mode DAB.

Appuyez sur le bouton Info pour parcourir les différentes options.

- |                                |  |
|--------------------------------|--|
| a. Dynamic Label Segment       | Services de données supplémentaires sous forme de texte (jusqu'à 128 caractères) fonctionnant en parallèle avec les programmes radio DAB ou DAB+. Affiche des messages texte défilants tels que le nom de l'artiste/ de la piste, le numéro de téléphone, etc. |
| b. Type de programme           | Affiche le type de la station écoutée. Par ex., Pop, Classique, Nouveautés, etc.   |
| c. Nom du multiplex            | Affiche le nom du multiplex DAB auquel appartient la station actuelle.   |
| d. Fréquence et canal          | Affiche la fréquence et le numéro de canal de la station DAB actuellement syntonisée.  |
| e. Erreur/ puissance du signal | Affiche l'erreur et l'intensité du signal pour la station écoutée. Un nombre d'erreur inférieur indique une meilleure qualité du signal radio.   |
| f. Débit binaire/ Format audio | Affiche le débit binaire de l'audio numérique et le format audio de la station DAB actuellement syntonisée.  |
| g. Date                        | Affiche la date du jour.   |

Si une émission DAB fournit un diaporama d'image, celle-ci peut être visualisée en plein écran en maintenant le bouton de réglage de la syntonisation. Si l'émission reçue est en stéréo, le symbole du haut-parleur stéréo s'affichera en bas de l'écran.

## Trouver de nouvelles stations – DAB

De temps à autre, il arrive que de nouvelles stations radio DAB soient disponibles. Ou, il est possible aussi que vous vous êtes rendu dans une autre partie du

pays. Dans ce cas, vous devez exécuter une recherche et trouver de nouvelles stations.

Pour permettre à la radio de trouver les stations disponibles, il est recommandé d'effectuer un scan complet de toutes les fréquences DAB de la Bande III.

1. Appuyez sur le bouton d'alimentation pour allumer votre radio.
2. Appuyez sur le bouton Bande pour sélectionner le mode DAB.
3. Appuyez sur le bouton Auto tune pour lancer le scan. L'écran affichera « Scanning » (Scan en cours) et votre radio effectuera un scan des fréquences DAB de la bande III. Au fur et à mesure que de nouvelles stations sont trouvées, le compteur de stations augmentera et les stations seront ajoutées à la liste. Le graphique à barres indique la progression du scan.

## Syntonisation manuelle – DAB

La syntonisation manuelle vous permet de syntoniser votre radio sur une fréquence DAB particulièrement en Bande III. Cette fonction peut également être utilisée pour faciliter le positionnement de l'antenne ou la radio afin d'optimiser la réception d'un canal ou d'une fréquence spécifique.

1. En mode DAB, appuyez sur le bouton Paramètres avancés pour entrer dans le menu de réglage
2. Tournez le bouton de réglage de la syntonisation jusqu'à ce que « Manual Tune » (Syntonisation manuelle) s'affiche sur l'écran. Appuyez sur le bouton de réglage de la syntonisation pour sélectionner le mode de syntonisation manuelle.
3. Tournez le bouton de réglage de la syntonisation pour sélectionner le canal DAB souhaité. Appuyez sur le bouton de réglage de la syntonisation pour confirmer la fréquence choisie.

## Contrôle de la gamme dynamique (DRC) – DAB

La fonction DRC peut vous aider à mieux entendre les sons faibles lorsque vous utilisez la radio dans un environnement bruyant, en réduisant la gamme dynamique du signal audio. Il y a trois niveaux de compression:

- |     |                                 |
|-----|---------------------------------|
| 1   | Compression maximale appliquée. |
| 1/2 | Compression moyenne appliquée.  |
| 0   | Aucune compression appliquée.   |
1. En mode DAB, appuyez sur le bouton Paramètres avancés pour entrer dans le menu de réglage
  2. Tournez le bouton de réglage de la syntonisation jusqu'à ce que « DRC » s'affiche sur l'écran. Appuyez sur le bouton de réglage de la syntonisation pour entrer dans le menu. L'écran affichera le paramètre

actuel du DRC.

3. Tournez le bouton de réglage de la syntonisation pour sélectionner le paramètre DRC souhaité.
4. Appuyez sur le bouton de réglage de la syntonisation pour confirmer le paramètre.

## Configuration de l'ordre des stations – DAB

Votre radio dispose de 3 réglages d'ordre de stations parmi lesquels vous pouvez choisir. Les paramètres d'ordre des stations sont alphanumériques, d'ensemble et « station valide ».

1. En mode DAB, appuyez sur le bouton Paramètres avancés pour entrer dans le menu de réglage
2. Tournez le bouton de réglage de la syntonisation jusqu'à ce que « Station order » (Ordre des stations) s'affiche sur l'écran. Appuyez sur le bouton de réglage de la syntonisation pour entrer dans le menu.
3. Tournez le bouton de réglage de la syntonisation pour sélectionner les options suivantes et appuyez sur le bouton de réglage de la syntonisation pour confirmer le paramètre.

Alphanumérique Trie la liste des stations de manière alphanumérique 0...9 A...Z.

Ensemble Organise la liste des stations par multiplex DAB.

Station valide Affiche uniquement les stations pour lesquelles un signal peut être trouvé.

## Syntonisation par scan – FM

### Remarque:

L'antenne FM est intégrée dans la poignée. Lorsque vous utilisez la radio, veuillez redresser correctement la poignée au-dessus de la radio pour obtenir une meilleure réception.

1. Appuyez sur le bouton d'alimentation pour allumer votre radio.
2. Appuyez sur le bouton Bande pour sélectionner le mode radio FM.
3. Appuyez sur le bouton Auto tune et la radio recherchera et s'arrêtera automatiquement lorsqu'elle trouvera une station de radio.
4. Après quelques secondes, l'affichage se mettra à jour. L'écran indiquera la fréquence du signal trouvé. Si le signal est suffisamment puissant et qu'il y a des données RDS présentes, la radio affichera le nom de la station.
5. Pour trouver une autre station, appuyez sur le bouton Auto tune comme décrit précédemment.
6. Lorsque la fin de la bande d'ondes est atteinte, votre radio recommencera la recherche à partir de l'extrémité opposée de la bande d'ondes.

7. Tournez le bouton Volume pour régler le niveau sonore selon vos besoins.

### Remarque:

Le volume ne doit pas être trop important. Pour éviter d'éventuels dommages auditifs, n'écoutez pas à des niveaux sonores élevés pendant de longues périodes.

8. Pour éteindre votre radio, appuyez sur le bouton d'alimentation.

## Syntonisation manuelle – FM

1. Appuyez sur le bouton d'alimentation pour allumer votre radio.
2. Appuyez sur le bouton Bande pour sélectionner le mode FM
3. Appuyez sur le bouton de réglage de la syntonisation pour passer en mode de contrôle de la syntonisation.
4. Tournez le bouton de réglage de la syntonisation pour trouver la station désirée.
5. Pour régler le volume, appuyez à nouveau sur le bouton de réglage de la syntonisation pour passer en mode de réglage du volume.
6. Tournez le bouton Volume pour régler le niveau sonore selon vos besoins.

## Modes d'affichage – FM (RDS)

Votre radio possède plusieurs options d'affichage pour le mode radio FM.

L'icône RDS en bas de l'écran indique que des données RDS sont présentes dans l'émission reçue. L'affichage du haut-parleur stéréo indique que la radio reçoit une émission stéréo.

Appuyez à plusieurs reprises sur le bouton Info pour afficher les informations RDS (Radio Data System) de la station que vous écoutez.

- |                      |  |
|----------------------|--|
| a. Radiotexte        | Affiche le message texte, tel que de nouveaux éléments, etc.   |
| b. Type de programme | Affiche le type de station écoutée, par exemple Pop, Classique, Nouveautés, etc.   |
| c. Fréquence         | Affiche la fréquence du signal FM. (Si aucune information RDS n'est disponible, l'écran affichera « No Name » (Aucun nom). |
| d. Mode audio        | Affiche le mode audio en cours.  |
| e. Date              | Affiche la date du jour.   |

## Zone du scan FM

Lorsque vous utilisez le mode FM, vous pouvez régler votre radio pour qu'elle scan les stations locales ou pour qu'elle scan toutes les stations, y compris les stations radio distantes/éloignées.

1. En mode FM, appuyez sur le bouton Paramètres

- avancés pour entrer dans le menu de réglage.
2. Tournez le bouton de réglage de la syntonisation jusqu'à ce que « Scan zone » (Zone du scan) s'affiche sur l'écran. Appuyez sur le bouton de réglage de la syntonisation pour entrer dans le menu. Le réglage audio actuel est indiqué par une marque.
  3. Tournez le bouton de réglage de la syntonisation pour basculer entre les options « Locale » (stations puissantes uniquement) et « Distante » (toutes les stations). L'option « Distante » permet à la radio de trouver des signaux plus faibles lors du scan.
  4. Appuyez sur le bouton de réglage de la syntonisation pour confirmer votre sélection. L'option « Locale » ou « Distante » est mémorisée dans la radio et restera par défaut jusqu'à ce qu'elle soit modifiée ou après une réinitialisation du système.

### Paramètre Stéréo/Mono – FM

Si le signal de la station de radio FM écoutée est faible, un sifflement peut être audible. Il est possible de réduire ce sifflement en forçant la radio à jouer la station en mono plutôt qu'en stéréo.

1. Assurez-vous que votre radio soit en mode FM et syntonisez la station FM requise.
2. Appuyez sur le bouton Paramètres avancés pour accéder au menu de réglage.
3. Tournez le bouton de réglage de la syntonisation pour sélectionner « Audio Setting » (Paramètres audio). Appuyez sur le bouton de réglage de la syntonisation pour entrer le paramètre. Le réglage audio actuel est indiqué par une marque.
4. Tournez bouton de réglage de la syntonisation pour sélectionner « Forced Mono » (Mono forcé) ou « Stereo Allowed » (Stéréo autorisé). Appuyez sur bouton de réglage de la syntonisation pour confirmer le réglage.

### Stations préréglées en modes DAB et FM

Il y a 5 stations préréglées chacune pour la bande de radio DAB et FM. Ils sont utilisés de la même manière pour chaque bande d'onde.

1. Appuyez sur le bouton d'alimentation pour allumer votre radio.
2. Appuyez sur le bouton Bande pour sélectionner la bande d'ondes désirée. Syntonisez la station de radio désirée comme décrit précédemment.
3. Appuyez sur la touche de Présélection souhaitée et maintenez-la enfoncée jusqu'à ce que l'écran indique « Présélection 1 sauvegardée » (par exemple).



s'affichera au bas de l'écran. La station est alors mémorisée dans la touche de présélection sélectionnée. Répétez cette procédure pour les autres présélections comme vous le souhaitez.

4. Les stations présélectionnées qui ont déjà été mémorisées peuvent être écrasées en suivant la procédure ci-dessus si nécessaire.

### Rappel d'une présélection en mode DAB et FM

1. Appuyez sur le bouton d'alimentation pour allumer votre radio.
2. Appuyez sur le bouton Bande pour sélectionner la bande d'ondes désirée entre DAB ou FM.
3. Appuyez sur la touche de présélection requise pour syntoniser votre radio sur l'une des stations mémorisées dans la mémoire

## REGLAGES DIVERS

### Mise à jour auto de l'horloge

Vous pouvez configurer la radio pour qu'elle règle son horloge à partir d'émissions de radio DAB ou FM. Après une panne de courant, l'horloge de la radio se mettra à jour la prochaine fois que vous allumez la radio en mode DAB ou FM.

1. Avec votre radio allumée, appuyez sur le bouton Paramètres avancés pour accéder au menu du mode en cours.
2. Tournez le bouton de réglage de la syntonisation pour sélectionner « Time/Date » (Heure/date). Appuyez sur le bouton de réglage de la syntonisation pour entrer dans le menu.
3. Tournez le bouton de réglage de la syntonisation pour sélectionner « Auto Update » (Mise à jour auto). Appuyez sur le bouton de réglage de la syntonisation pour accéder au menu de la mise à jour automatique.
4. Tournez le bouton de réglage de la syntonisation pour choisir une option de mise à jour parmi « Any » (FM et DAB), « from DAB » (A partir de la bande DAB) ou « from FM » (A partir de la bande FM), selon les besoins. Appuyez sur bouton de réglage de la syntonisation pour confirmer votre choix. Le réglage actuel est marqué d'une marque.

### Réglage du format de l'heure

1. Avec votre radio allumée, appuyez sur le bouton Paramètres avancés pour accéder au menu du mode en cours.
2. Tournez le bouton de réglage de la syntonisation pour sélectionner « Time/Date » (Heure/date). Appuyez sur le bouton de réglage de la syntonisation pour entrer dans le menu.
3. Tournez le bouton de réglage de la syntonisation pour sélectionner « Set 12/24 Hour » (Définir format 12/24 heures). Appuyez sur le bouton de réglage de la syntonisation pour entrer dans le réglage du format d'heure. Le format d'affichage actuel de l'heure est

indiqué par une marque.

4. Tournez le bouton de réglage de la syntonisation pour sélectionner le format 12 ou 24 heures. Appuyez sur le bouton de réglage de la syntonisation pour confirmer votre réglage. Si le format d'horloge de 12 heures est choisi, la radio affichera une horloge de 12 heures avec un indicateur AM ou PM.

### Réglage du format de la date

1. Avec votre radio allumée, appuyez sur le bouton Paramètres avancés pour accéder au menu du mode en cours.
2. Tournez le bouton de réglage de la syntonisation pour sélectionner « Time/Date » (Heure/date). Appuyez sur le bouton de réglage de la syntonisation pour entrer dans le menu.
3. Tournez le bouton de réglage de la syntonisation pour sélectionner « Set Date Format » (Définir le format de la date). Appuyez sur bouton de réglage de la syntonisation pour entrer le paramètre.
4. Tournez le bouton de réglage de la syntonisation pour sélectionner le format de date « JJ-MM-AAAA » ou « MM-JJ-AAAA ». Appuyez sur le bouton de réglage de la syntonisation pour confirmer le réglage.

### Intensité sonore (Loudness)

Vous pouvez compenser sur les basses et les hautes fréquences sur votre radio en ajustant la fonction d'Intensité sonore (Loudness).

1. Avec votre radio allumée, appuyez sur le bouton Paramètres avancés pour accéder au menu du mode en cours.
2. Tournez le bouton de réglage de la syntonisation pour sélectionner « Loudness ». Appuyez sur le bouton de réglage de la syntonisation pour entrer dans le menu.
3. Tournez le bouton de réglage de la syntonisation pour sélectionner « On » (Activée) pour activer la fonction d'intensité sonore. Pour désactiver la fonction d'intensité sonore, sélectionnez « Off » (Désactivée). Appuyez sur le bouton de réglage de la syntonisation pour confirmer le paramètre.

### Options de langues

Huit langues sont disponibles pour l'affichage du système de la radio: l'anglais, l'allemand, l'italien, le français, le néerlandais, le danois, le norvégien et le polonais.

1. Avec votre radio allumée, appuyez sur le bouton Paramètres avancés pour accéder au menu du mode en cours.
2. Tournez le bouton de réglage de la syntonisation pour sélectionner « Langue ». Appuyez sur le bouton de réglage de la syntonisation pour entrer dans le menu.
3. Tournez le bouton de réglage de la syntonisation

pour choisir la langue de votre choix. Appuyez sur le bouton de réglage de la syntonisation pour confirmer votre réglage.

### Réinitialisation aux paramètres d'usine

Si vous souhaitez réinitialiser complètement votre radio à son état initial, vous pouvez le faire en suivant cette procédure. En effectuant une réinitialisation d'usine, tous les réglages saisis par l'utilisateur seront effacés.

1. Avec votre radio allumée, appuyez sur le bouton Paramètres avancés pour accéder au menu du mode en cours.
2. Tournez le bouton de réglage de la syntonisation pour sélectionner « Factory Reset » (Réinitialisation d'usine). Appuyez sur le bouton de réglage de la syntonisation pour entrer dans le menu.
3. Tournez le bouton de réglage de la syntonisation pour sélectionner « Yes » (Oui) ou « No » (Non). Si vous ne souhaitez pas effectuer de réinitialisation du système, sélectionnez « Non », puis appuyez sur le bouton de réglage de la syntonisation pour confirmer. Sélectionnez « Oui » puis appuyez sur le bouton de réglage de la syntonisation. Une réinitialisation complète sera effectuée. La liste des stations et les pré-réglages seront effacés. Tous les paramètres seront réinitialisés à leurs valeurs par défaut.

En cas de dysfonctionnement dû à une décharge électrostatique, réinitialisez le produit (une reconnexion à la source d'alimentation peut être nécessaire) pour reprendre un fonctionnement normal.

### Port micro-USB pour mise à jour de logiciel

Les mises à jour du logiciel pour votre radio peuvent être disponibles très prochainement.

Puisque des mises à jour de logiciel sont disponibles, vous pouvez trouver le logiciel et des informations sur la manière de mettre à jour votre radio sur le **site internet de Makita**.

1. Utilisez le câble micro-USB (non fourni) pour connecter la prise USB dans le compartiment de la batterie à votre PC.
2. Avec votre radio allumée, appuyez sur le bouton Paramètres avancés pour accéder au menu du mode en cours.
3. Tournez le bouton de réglage de la syntonisation pour sélectionner « Software Update » (Mise à jour logicielle). Appuyez sur le bouton de réglage de la syntonisation pour entrer dans le menu.
4. Tournez le bouton de réglage de la syntonisation pour sélectionner « Oui » ou « Non ». Si vous ne souhaitez pas effectuer de mise à niveau logicielle, sélectionnez « Non » et appuyez sur le bouton de réglage de la syntonisation pour confirmer le réglage.



Sélectionnez « Oui » puis appuyez sur le bouton de réglage de la syntonisation. L'écran affichera « Waiting for PC wizard » (En attente de l'assistant PC ». Veuillez-vous rendre sur le site Web pour télécharger les logiciels les plus récents. Suivez les instructions à l'écran de votre PC fournies avec le logiciel de mise à niveau pour effectuer la mise à niveau logicielle.

#### Remarque:

Veillez utiliser l'adaptateur secteur comme alimentation principale lors de la mise à niveau du logiciel. N'éteignez pas la radio avant que l'opération de mise à niveau soit terminée et que la radio ait redémarré, sinon l'appareil risque d'être endommagé définitivement.

### Version du logiciel

1. Lorsque votre radio est allumée, appuyez sur le bouton Paramètres avancés pour accéder au menu du mode en cours.
2. Tournez le bouton de réglage de la syntonisation pour sélectionner « Software Version » (Version du logiciel). Appuyez sur le bouton de réglage de la syntonisation pour afficher la version du logiciel.

### Fonction d'égaliseur

Il existe 7 couleurs de voyant LED différents autour du bouton de réglage de la syntonisation pour indiquer les divers modes de l'égalisateur.

1. Appuyez sur le bouton d'alimentation « Power » pour allumer votre radio.
2. Appuyez sur le bouton du mode EQ pour accéder au menu de réglage de l'EQ.
3. Tournez le bouton de réglage de la syntonisation pour sélectionner le mode souhaité. Appuyez ensuite sur le bouton de réglage de la syntonisation pour confirmer la sélection.

Mode EQ	Voyant LED
PLAT	Blanc
JAZZ	Bleu
ROCK	Rouge
CLASSIQUE	Marron
POP	Rose
NOUVEAUTÉS	Jaune
Mon EQ	Vert

### Réglage du profile Mon EQ (Mon égaliseur)

1. Appuyez sur la touche de contrôle de l'EQ pour accéder au menu de réglage de l'égaliseur.
2. Tournez le bouton de réglage de la syntonisation pour sélectionner « Configuration de Mon EQ ». Appuyez ensuite sur le bouton de réglage de la syntonisation

pour entrer dans le menu des paramètres.

3. Tournez le bouton de réglage de la syntonisation pour sélectionner le menu « Aigus ». Appuyez sur le bouton de réglage de la syntonisation pour entrer dans le menu. Tournez le bouton de réglage de la syntonisation pour sélectionner le niveau des aigus souhaité. Puis appuyez sur le même bouton pour confirmer le paramètre choisi.
4. Tournez le bouton de réglage de la syntonisation pour sélectionner le menu « Mediums ». Appuyez sur le bouton de réglage de la syntonisation pour entrer dans le menu. Tournez le bouton de réglage de la syntonisation pour sélectionner le niveau des médiums souhaité. Puis appuyez sur le même bouton pour confirmer le paramètre choisi.
5. Tournez le bouton de réglage de la syntonisation pour sélectionner le menu « Basses ». Appuyez sur le bouton de réglage de la syntonisation pour entrer dans le menu. Tournez le bouton de réglage de la syntonisation pour sélectionner le niveau des basses souhaité. Puis appuyez sur le même bouton pour confirmer le paramètre choisi.

#### Remarque:

Lorsque vous utilisez l'égaliseur pour accentuer les basses et que vous écoutez à un volume sonore élevé, cela peut provoquer des craquements sonores et une distorsion du son. Dans ce cas, réglez le volume de la radio de manière appropriée.

## Écouter de la musique via le streaming Bluetooth

Vous devez coupler votre appareil Bluetooth avec la radio avant que vous puissiez le relier automatiquement pour lire/diffuser de la musique Bluetooth via la radio. Le couplage crée un « lien » afin que deux appareils puissent se reconnaître mutuellement.

#### Remarque:

- Pour avoir une meilleure qualité sonore, nous vous conseillons de régler le volume à plus des deux tiers sur votre appareil Bluetooth, puis ajustez le volume sur la radio au besoin.
- Votre radio peut mémoriser jusqu'à 8 appareils couplés, lorsque la mémoire dépasse ce nombre, le premier appareil couplé sera remplacé.

### Coupler votre appareil Bluetooth pour la première fois

1. Appuyez sur le bouton d'alimentation pour allumer la radio. Appuyez sur le bouton Bande pour sélectionner le mode Bluetooth. L'écran affichera « BT Pair » (Couplage BT) et les boutons de présélections (1-5) clignoteront en blanc pour indiquer que la radio est détectable.

2. Activez le Bluetooth sur votre appareil conformément au mode d'emploi pour le relier à votre radio. Ouvrez la liste des appareils Bluetooth et choisissez l'appareil nommé « DMR115 » (Avec certains téléphones portables équipés de versions antérieures aux appareils Bluetooth BT2.1, vous devrez saisir le mot de passe « 0000 »).
3. Une fois connecté, il y aura une tonalité de confirmation. Les boutons de pré-réglage (1-5) resteront allumés en blanc. Vous pouvez maintenant simplement sélectionner et lire n'importe quelle musique à partir de votre périphérique source. Le volume peut être réglée à partir de votre appareil source, ou directement à partir de la radio.
4. Utilisez les commandes de l'appareil connecté en Bluetooth ou de votre radio pour lire/mettre en pause et naviguer entre les pistes.

**Remarque:**

- Si 2 appareils Bluetooth, effectuent le couplage pour la première fois, les deux à la fois recherchent la radio, il sera affiché la disponibilité sur les deux appareils. Toutefois, si l'un des appareils se lie avec cet appareil d'abord, l'autre appareil Bluetooth ne la trouvera pas sur la liste.
- Si votre périphérique Bluetooth est temporairement déconnecté de votre radio, alors vous devez reconnecter manuellement votre appareil à nouveau avec la radio.
- Si «DMR115 » est affiché dans votre liste d'appareils Bluetooth, mais que votre appareil ne peut pas se connecter avec elle, veuillez supprimer l'élément de votre liste et coupez de nouveau l'appareil avec la radio en suivant les étapes décrites précédemment.
- La portée de fonctionnement optimale du Bluetooth est d'environ 10 mètres (30 pieds) (ligne de visée) vers la radio, mais une distance de jusqu'à 30 mètres (100 pieds) est possible.
- Si la connexion Bluetooth est perdue en raison d'une durée de séparation trop longue, d'un dépassement de la portée, de présence d'obstacles ou autres il peut être nécessaire de reconnecter votre appareil à la radio.
- Les obstacles physiques, les autres appareils sans fil ou les appareils électromagnétiques peuvent affecter la qualité de la connexion.
- La performance de connectivité Bluetooth peut varier en fonction des appareils Bluetooth connectés. Référez-vous aux fonctionnalités Bluetooth de votre appareil avant de connecter votre radio. Toutes les fonctions ne seront peut-être pas compatibles sur certains appareils Bluetooth.

## Lire des fichiers audio en mode Bluetooth

Lorsque vous avez correctement connecté votre radio avec l'appareil Bluetooth de votre choix, vous pouvez commencer à lire votre musique en utilisant les contrôles sur votre appareil Bluetooth connecté.

1. Une fois que la lecture a commencé, réglez le volume sur la valeur souhaitée en utilisant les boutons de volume de votre radio ou sur votre appareil avec Bluetooth activé.
2. Utilisez les commandes sur l'appareil source connecté en Bluetooth pour les fonctions de lecture/pause et naviguez entre les pistes. Vous pouvez également contrôler la lecture à l'aide des boutons Lecture/pause, Piste suivante, Piste précédente sur la radio.
3. Appuyez et maintenez enfoncé le bouton d'avance rapide ou de rembobinage pour vous déplacer dans la piste en cours. Relâchez le bouton lorsque le point désiré est atteint.

**Remarque:**

- Toutes les applications du lecteur ou tous les appareils ne répondront pas forcément à toutes ces commandes.
- Certains téléphones mobiles peuvent se déconnecter temporairement de votre radio lorsque vous donnez ou recevez des appels. Certains appareils peuvent couper temporairement leur streaming audio Bluetooth quand ils reçoivent des messages texte, e-mails ou pour d'autres raisons non liées au comportement du streaming audio. Ce comportement est une fonction de l'appareil connecté et ne constitue pas un défaut de votre radio.

## Lecture d'un périphérique source Bluetooth précédemment couplé

Si votre appareil Bluetooth a déjà été couplé avec la radio précédemment, l'unité mémorisera votre appareil Bluetooth et essaiera de se reconnecter avec l'appareil qui a été le dernier connecté enregistré en mémoire. Si le dernier appareil connecté n'est pas disponible, la radio ne sera pas détectable.

## Déconnexion de votre appareil Bluetooth

Appuyez et maintenez enfoncé le bouton de couplage Bluetooth pendant 2-3 secondes jusqu'à ce que « Couplage BT » s'affiche à l'écran ou éteignez le Bluetooth sur votre appareil Bluetooth pour désactiver la connexion.

Vous pouvez également appuyer sur la touche Bande pour sélectionner un mode autre que le mode Bluetooth pour désactiver la connexion.

## Suppression de la mémoire d'un appareil Bluetooth couplé

Pour effacer la mémoire de tous les appareils couplés, appuyez sur la touche de couplage Bluetooth et maintenez-la enfoncée pendant plus de 7 secondes jusqu'à ce que « Clearing » (Effacement en cours) s'affiche sur l'écran.

## Prise d'entrée auxiliaire

La radio est équipée d'une prise d'entrée auxiliaire de 3,5 mm située à l'arrière pour permettre à un signal audio d'être transmis dans l'unité depuis un appareil audio externe comme un lecteur MP3 ou lecteur CD.

1. Connectez une source audio externe (par exemple, MP3 ou lecteur CD) à la prise d'entrée auxiliaire AUX IN.
2. Appuyez sur le bouton d'alimentation « Power » pour allumer votre radio.
3. Appuyez plusieurs fois sur le bouton Bande jusqu'à ce que « AUX IN » s'affiche.
4. Pour avoir une meilleure qualité sonore, nous vous conseillons de régler le volume à plus des deux tiers sur votre appareil Bluetooth, puis ajustez le volume sur la radio au besoin.

### Remarque:

le cordon audio n'est pas inclus en tant qu'accessoires standard.

## ENTRETIEN

### ⚠ ATTENTION:

- N'utilisez jamais d'essence, de benzine, de diluant, d'alcool ou de produit similaire. Ces produits risquent de provoquer des décolorations, des déformations ou des fissures.
- Ne lavez pas la radio avec de l'eau.

## SPÉCIFICATIONS

Caractéristiques de l'alimentation	
Adaptateur secteur	12V 2,5A en CC, broche centrale positive
Batterie	Batterie coulissante: 10,8V – 18V
Gamme de fréquences	87,50-108 MHz en FM (0,05 MHz/incréments) DAB/DAB+ 174,928-239,200 MHz
Blocage des canaux DAB/DAB+	DAB (Bande III) 5A-13F
Norme compatible	DAB/DAB+

Bluetooth®	
(La marque verbale et les logos Bluetooth® sont des marques déposées de Bluetooth SIG, Inc.)	
Version Bluetooth	Certifié 5.0
Profils Bluetooth	A2DP/SCMS-T/AVRCP
Puissance d'émission	Classe 2 de puissance
Portée d'émission	Optimale: 10 mètres max. (33 pieds) Possible: 30 mètres max. (100 pieds) (varie en fonction des conditions d'utilisation)
Codec Bluetooth	SBC, AAC
Puissance maximale de la radiofréquence	BT EDR: 1.91dBm BT LE: 0.21dBm
Fréquences de fonctionnement	2402MHz~2480MHz

Caractéristiques du circuit	
Haut-parleur	2,5 pouces 8 ohms x2 4 pouces 6 ohms x1
Puissance de sortie	10,8 V-12V max: 2 W x 2 +10 W 14,4 V: 3 W x 2 + 15 W 18 V: 5 W x2 + 25 W
Borne d'entrée	Diamètre de 3,5 mm (AUX IN)
Système d'antenne	DAB/FM: antenne intégrée
Dimensions (L x l x H)	268 x 164 x 295 mm
Poids	4,8 Kg (sans la batterie)

# DEUTSCH (Originalbedienungsanleitung)

## ÜBERSICHT DES PRODUKTS (Abb. 1)

1. Griff/Integrierte Antenne (DAB/UKW)
2. Batteriefachverriegelung
3. Batteriefachabdeckung (Abdeckung des Batterieeinsatzes)
4. Lautsprecher
5. DC-EINGANG
6. Subwoofer
7. Betriebstaste
8. Frequenzbandtaste
9. Taste für erweiterte Einstellungen
10. Info-Taste
11. LED-Anzeige
12. Speicherplatz 3/Wiedergabe/Pause
13. Speicherplatz 5
14. Speicherplatz 4/Nächster Titel/Vorspulen
15. Lautstärke/Tuning-Regler/Auswahl
16. EQ-Taste
17. AUX-EINGANG
18. USB-Netzanschluss
19. Automatische Sendersuche
20. LED-Anzeige für EQ-Modus
21. Speicherplatz 2/Vorheriger Titel/Zurückspulen
22. Speicherplatz 1/Bluetooth-Kopplung
23. LCD
24. Batteriefach
25. Micro-USB-Port für Software-Aktualisierung

## SYMBOLE

Les symboles utilisés pour l'équipement sont affichés ci-dessous. Soyez sûr de tout comprendre avant toute utilisation.



Lesen Sie die Betriebsanleitung.



Nur für EU-Länder.

Entsorgen Sie Elektrowerkzeuge, Batterien und Akkus nicht über den Hausmüll! Gemäß der Europäischen Richtlinie über Elektro- und Elektronik-Altgeräte und über Batterien und Akkumulatoren sowie Altbatterien und Altakkumulatoren und ihrer Umsetzung in nationales Recht müssen verbrauchte Elektrowerkzeuge sowie Altbatterien und Altakkumulatoren getrennt gesammelt und einer

umweltgerechten Wiederverwertung zugeführt werden.

## WICHTIGE SICHERHEITSHINWEISE

### ⚠ **WARNUNG:**

Bei der Verwendung von Elektrogeräten müssen stets grundlegende Sicherheitsmaßnahmen befolgt werden, zu denen auch die im Folgenden genannten gehören, um die Gefahr von Verletzungen, Stromschlägen und Bränden zu verringern.

1. Lesen Sie vor der Verwendung des Geräts die vorliegende Betriebsanleitung sowie die Betriebsanleitung zum Ladegerät aufmerksam durch.
2. Reinigen Sie dieses Gerät lediglich mit einem trockenen Tuch.
3. Stellen Sie dieses Gerät nicht in der Nähe von Wärmequellen wie etwa Radiatoren, Heizregistern, Öfen oder anderen wärmeerzeugenden Apparaturen (einschließlich Verstärker) auf.
4. Verwenden Sie ausschließlich vom Hersteller vorgegebene Anbaugeräte bzw. Zubehörteile.
5. Ziehen Sie bei einem Gewitter, oder wenn Sie das Gerät für längere Zeit nicht verwenden, den Netzstecker dieses Geräts.
6. Ein akkubetriebenes Radio mit eingebauten Akkus oder einem herausnehmbaren Akkupack darf nur mit dem angegebenen Ladegerät geladen werden. Ein für einen bestimmten Akkutyp vorgesehenes Ladegerät kann Feuer verursachen, wenn es für andere Akkus verwendet wird.
7. Ein akkubetriebenes Radio darf nur mit den dafür speziell vorgesehenen Akkupacks verwendet werden. Bei Verwendung anderer Akku besteht Brandgefahr.
8. Wenn sich der Akkupack nicht im Werkzeug befindet, dann halten Sie ihn fern von metallenen Objekten, wie etwa: Büroklammern, Münzen, Schlüssel, Nägel, Schrauben oder anderen kleinen Metallgegenständen, die eine Verbindung zwischen den Akkuanschlüssen herstellen können. Ein Kurzschluss der Akkukontakte kann Funken oder Verbrennungen verursachen und stellt eine Brandgefahr dar.
9. Vermeiden Sie Körperkontakt mit geerdeten Flächen wie Rohren, Radiatoren, Herdplatten und Heiz- und Kühlelementen. Wenn Ihr Körper geerdet ist, besteht bei einem elektrischen Schlag eine erhöhte Gefahr.
10. Bei unsachgemäßem Gebrauch kann Flüssigkeit aus dem Akku austreten; vermeiden Sie in diesem Fall jeglichen Kontakt mit der Flüssigkeit. Wenn

Sie versehentlich mit Flüssigkeit aus dem Akku in Berührung geraten, waschen Sie die betroffene Stelle gründlich mit Wasser ab. Wenn die Flüssigkeit in die Augen geraten ist, suchen Sie anschließend umgehend einen Arzt auf. Die aus dem Akku austretende Flüssigkeit kann Hautreizungen und Verbrennungen verursachen.

11. Enden Sie Akkus oder Werkzeuge nicht, falls diese beschädigt sind. Mit beschädigten oder modifizierten Batterien können unvorhergesehene Situationen auftreten, die wiederum Explosionen oder Verletzungen verursachen könnten.
12. Schützen Sie Akkus und Instrumente vor Feuer bzw. übermäßigen Temperaturen. Temperaturen über 130 °C(266°F) können Explosionen verursachen.
13. Befolgen Sie alle Anleitungen zum Aufladen; laden Sie den Akku oder das Instrument nicht außerhalb des vorgegebenen Temperaturbereichs auf. Falls Sie den Akku unsachgemäß oder außerhalb der richtigen Temperatur aufladen, besteht erhöhte Brandgefahr.
14. Der NETZSTECKER ist die Trennvorrichtung und muss immer zugänglich sein.
15. Verwenden Sie das Produkt nicht über längere Zeiträume mit hoher Lautstärke. Wählen Sie eine moderate Lautstärkeeinstellung, um Gehörschäden zu vermeiden.
16. (Nur für Produkte mit LCD) LCD-Bildschirme enthalten Flüssigkeit, die Hautreizungen und Vergiftung verursachen kann. Falls die Flüssigkeit in Augen, Mund oder auf die Haut gelangt, spülen Sie die betroffenen Stellen mit Wasser ab und wenden Sie sich an einen Arzt.
17. Schützen Sie das Produkt vor Regen oder Feuchtigkeit. Eindringendes Wasser kann die Gefahr von Stromschlägen erhöhen.
18. Dieses Produkt ist nicht geeignet für Personen (einschließlich Kinder) mit eingeschränkten körperlichen, sensorischen oder geistigen Fähigkeiten, oder ohne Erfahrung und Wissen, es sei denn sie werden von einer für ihre Sicherheit zuständigen Person beaufsichtigt oder angeleitet. Kinder müssen beaufsichtigt werden, damit sie nicht mit dem Produkt spielen. Bewahren Sie das Produkt außer Reichweite von Kindern auf.

## **DIESE BEDIENUNGSANLEITUNG AUFBEWAHREN**

## **BESONDERE SICHERHEITSHINWEISE**

### **FÜR BATTERIEHALTERUNG**

1. Lesen Sie vor der Verwendung des Akkublocks alle Anweisungen und Sicherheitshinweise für das Akkuladegerät (1), den Akku (2) und das Produkt (3), für das der Akku verwendet wird, sorgfältig durch.
2. Der Akkublock darf nicht zerlegt werden.
3. Falls die Betriebsdauer erheblich kürzer wird, beenden Sie den Betrieb umgehend. Andernfalls besteht die Gefahr einer Überhitzung sowie das Risiko möglicher Verbrennungen und sogar einer Explosion.
4. Wenn Elektrolyt in Ihre Augen gerät, waschen Sie diese mit klarem Wasser aus und suchen Sie sofort einen Arzt auf. Andernfalls können Sie Ihre Sehfähigkeit verlieren.
5. Vermeiden Sie einen Kurzschluss des Akkublocks:
  - (1) Die Kontakte dürfen nicht mit leitendem Material in Berührung kommen.
  - (2) Der Akkublock darf nicht in einem Behälter aufbewahrt werden, in dem sich andere metallische Gegenstände wie beispielsweise Nägel, Münzen usw. befinden.
  - (3) Der Akkublock darf weder Feuchtigkeit noch Regen ausgesetzt werden. Ein Kurzschluss des Akkus kann zu hohem Kriechstrom, Überhitzung, möglichen Verbrennungen und sogar zu einer Zerstörung des Werkzeugs führen.
6. Werkzeug und Akkublock dürfen nicht an Orten aufbewahrt werden, an denen Temperaturen von 50°C oder darüber erreicht werden können.
7. Beschädigte oder verbrauchte Akkus dürfen nicht verbrannt werden. Der Akkublock kann in den Flammen explodieren.
8. Lassen Sie den Akku nicht fallen und vermeiden Sie Schläge gegen den Akku.
9. Verwenden Sie niemals einen beschädigten Akku.
10. Lesen Sie die Anleitung zum Austauschen des Akkus sorgfältig durch, um Gefahren zu vermeiden. Und der max. Entladestrom des Akkus muss größer oder gleich 8 A sein.
11. enthaltene Lithium-Ion-Batterien unterliegen den Vorschriften des Gefahrgutrechts. Während des Transports, z.B. durch Dritte oder Spediteure, sind spezielle Anforderungen auf der Verpackung und den Etiketten zu beachten.

Vor dem Versand des Produkts muss ein Experte für Gefahrstoffe konsultiert werden. Beachten Sie außerdem national geltende Vorschriften.

Kleben Sie freiliegende Kontakte ab und verpacken Sie die Batterie so, dass sie nicht in der Verpackung herumrutscht.

12. Um den Batterieeinsatz zu entsorgen, entfernen Sie diesen aus dem Gerät und entsorgen Sie ihn an einem sicheren Ort. Beachten Sie alle örtlich geltenden Vorschriften bezüglich der Entsorgung von Batterien.
13. Verwenden Sie die Batterien nur mit den von Makita vorgegebenen Produkten. Falls Sie die Batterien in nicht kompatiblen Produkten installieren, können Feuer, Überhitzung und Explosion verursacht werden oder Batterieflüssigkeit austreten. Falls Sie das Gerät längere Zeit nicht verwenden werden, muss die Batterie aus dem Gerät genommen werden.

**⚠ ACHTUNG:**

- **Bei unsachgemäßer Verwendung von Ersatzakkus besteht Explosionsgefahr.**
- **Als Ersatzteile dürfen nur Akkus des gleichen Typs verwendet werden.**
- **Verwenden Sie nur echte Makita Batterien. Unechte Makita Batterien oder modifizierte Batterien können zum Zerplatzen der Batterie führen und dadurch Feuer, Verletzungen und Schäden verursachen. In solch einem Fall wird außerdem die Makita Garantie für Makita Instrumente und Ladegeräte nichtig.**

## **Tipps für eine maximale Nutzungsdauer der Batterie**

1. Laden Sie die Batterie auf, bevor diese vollständig entladen ist. Beenden Sie den Betrieb und laden Sie die Batterie auf, wenn die Leistung des Geräts nachlässt.
2. Laden Sie eine vollständig geladene Batterie nicht weiter auf. Überladung verkürzt die Lebensdauer.
3. Laden Sie die Batterie bei einer Umgebungstemperatur von 10 °C - 40 °C (50 °F - 104 °F) auf. Lassen Sie ein heißes Batteriegehäuse vor dem Aufladen abkühlen.
4. Laden Sie die Batterie, falls Sie das Gerät längere Zeit (länger als 6 Monate) nicht verwenden werden.

# BETRIEBSDAUER

In der nachfolgenden Tabelle sind die für das Gerät geeigneten Batterien aufgelistet.

Die nachfolgende Tabelle ist eine Übersicht mit der jeweiligen Betriebsdauer pro Batterieladung.

Akkuladung	Nennspannung des Akkublocks			BEI LAUTSPRECHERAUSGABE = 100mW Einheit: Stunden (Ca.)	
	10.8V –12Vmax	14.4V	18V	Im Radiobetrieb oder über AUX- Buchse	Während Bluetooth +USB-Aufladung
1.3 Ah		BL1415		3.5	0.7
			BL1815	4.0	1.0
1.5 Ah	BL1015 BL1016			5.5	0.8
		BL1415N BL1415NA		4.5	0.9
			BL1815N	5.0	1.2
2.0 Ah	BL1020B BL1021B			7.0	1.0
			BL1820 BL1820B	6.5	1.6
3.0 Ah		BL1430 BL1430B BL1430A		8.0	1.6
			BL1830 BL1830B	9.0	2.3
4.0 Ah	BL1040B BL1041B			14	2.1
		BL1440		12	2.5
			BL1840 BL1840B	13	3.2
5.0Ah		BL1450		15	3.0
			BL1850 BL1850B	16	4.2
6.0 Ah		BL1460B BL1460A		16	3.3
			BL1860B	20	5.0

## ⚠ **WARNUNG:**

**Verwenden Sie nur die oben aufgeführten Batteriekarten. Die Verwendung anderer Batteriekarten kann Verletzungen und/oder Feuer verursachen.**

### **Hinweis:**

- Die Nutzungsdauern in der obigen Tabelle sind nur Richtwerte.
- Die tatsächliche Nutzungsdauer kann je nach Batterie-Typ, Ladebedingungen bzw. Gebrauchsumgebung variieren.
- Je nach Standort sind einige der oben genannten Batterieeinsätze oder Ladegeräte möglicherweise nicht verfügbar.

# INSTALLATION UND STROMVERSORGUNG (Abb.2)

## ⚠ VORSICHT:

- Achten Sie beim Öffnen und Schließen der Batteriefachabdeckung darauf, Ihre Finger nicht einzuklemmen.
- Bringen Sie die Verriegelung des Batteriefachs nach der Installation oder Entnahme der Batteriehalterung wieder zur Ausgangsposition zurück. Anderenfalls könnte die Batteriehalterung versehentlich aus dem Radio herausfallen und dadurch Verletzungen verursachen.
- Schließen und sichern Sie die Verriegelung des Batteriefachs, bevor Sie das Radio umstellen.
- Schalten Sie das Radio immer aus, bevor Sie die Batteriehalterung installieren oder entfernen.
- Lassen Sie das Radio nicht herunterfallen und schützen Sie es vor Aufprällen. Ein kaputtes Gehäuse könnte Verletzungen an Fingern und Körper verursachen. Ein beschädigtes Radio kann unvorhersehbar reagieren und als Folge Feuer, Explosionen oder Verletzungen verursachen.

## WICHTIG:

- Eine nachlassende Leistung, Störungen, „stotternde Geräusche“ oder die Anzeige „! Niedrige Batterie“ im Display sind alles Anzeigen dafür, dass die Batterie ersetzt werden muss.
- Die Batteriehalterung kann nicht über den mitgelieferten AC-Netzadapter aufgeladen werden.
- Die Batteriehalterung ist kein Standardzubehör des Produkts.

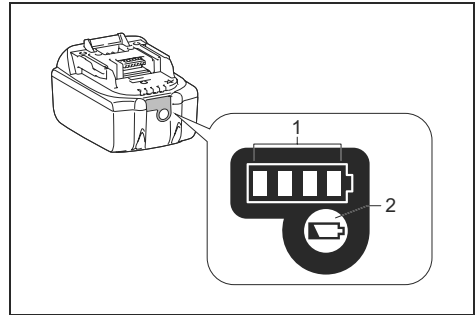
## Einschubakku einsetzen bzw. entfernen (Abb. 3 & 4)

- Zum Einsetzen des Akkublocks müssen Sie die Akkublockzunge zur inneren Gehäusenut ausrichten und den Akkublock in Position schieben. Setzen Sie den Akkublock unbedingt vollständig ein, bis er mit einem Klick einrastet.
- Ist weiterhin der oben auf der Taste befindliche rote Bereich sichtbar, dann ist der Akkublock nicht ganz eingerastet. Setzen Sie den Akkublock vollständig ein, bis der rote Bereich nicht mehr sichtbar ist. Andernfalls kann der Block versehentlich aus dem Gerät fallen und Sie oder Personen in Ihrem Umfeld verletzen.
- Wenden Sie keine Gewalt beim Einsetzen des Akkublocks an. Wenn der Akkublock nicht leicht hineingleitet, dann haben Sie ihn nicht richtig ausgerichtet.

- Um die Batterie zu entfernen, schieben Sie diese aus dem Radio heraus, während Sie die Taste an der Vorderseite der Halterung verschieben.

## Anzeigen der Restladung des Akkus

- \* Nur für Akkublöcke mit einem „B“ am Ende der Modellnummer.



### ➤ 1. Anzeigelampen 2. Test-Taste













Drücken Sie zum Anzeigen der Restladung des Akkus die Akkuprüftaste. Die Anzeigelampen leuchten dann wenige Sekunden lang auf.

### • 14,4V/18V Batterien

Anzeigelampen			Verbleibende Kapazität
Leuchtet	Aus	Blinkt	
■ ■ ■ ■			75% ~ 100%
■ ■ ■ □			50% ~ 75%
■ ■ □ □			25% ~ 50%
■ □ □ □			0% ~ 25%
▣ □ □ □			Batterie aufladen
■ ■ □ □	↑ ↓	■ ■	Mögliche Fehlfunktion der Batterie



## ● Batteries de 10,8V-12V max

Anzeigelampen			Verbleibende Kapazität
Leuchtet	Aus	Blinkt	
			75% ~ 100%
			50% ~ 75%
			25% ~ 50%
			0% ~ 25%

### HINWEIS:

Je nach Gebrauchsbedingungen und Umgebungstemperatur können die Anzeigen leicht von der tatsächlichen Kapazität abweichen.

## Betrieb mit mitgeliefertem Netzadapter

Entfernen Sie die Gummabdeckung und schließen Sie den Adapterstecker an die DC-Buchse rechts am Radio an. Schließen Sie den Netzadapter an eine herkömmliche Steckdose an. Während des Gebrauchs des Netzadapters wird die Batterie automatisch getrennt.

### ⚠ VORSICHT:

- **Trennen Sie den AC-Netzadapter immer vollständig, bevor Sie das Radio umstellen. Anderenfalls besteht Stromschlaggefahr.**
- **Ziehen Sie niemals am Kabel des Netzadapters. Anderenfalls könnte das Radio herunterfallen und dadurch Verletzungen verursachen.**

### WICHTIG:

- Der Netzadapter ist die Trennvorrichtung des Radios vom Netzstrom. Die verwendete Steckdose muss während des normalen Gebrauchs immer frei zugänglich sein.
- Ziehen Sie den Netzadapter vollständig aus der Steckdose heraus, um das Radio vom Netzstrom zu trennen.
- Verwenden Sie nur das im Lieferumfang enthaltene bzw. ein von Makita empfohlenes AC-Netzteil.
- Halten Sie weder das Netzkabel noch den Netzstecker an Ihren Mund. Es besteht Stromschlaggefahr.
- Berühren Sie den Netzstecker nicht mit nassen oder fettigen Händen.
- Beschädigte oder verhedderte Kabel erhöhen die Stromschlaggefahr. Falls das Kabel beschädigt ist, lassen sie es von einem autorisierten Kundendienst ersetzen, um Gefahrensituationen zu vermeiden. Benutzen Sie es erst wieder nach der Reparatur.
- Bewahren Sie das AC-Netzteil nach dem Gebrauch

außer Reichweite von Kindern auf. Kinder können sich verletzen, falls sie mit dem Kabel spielen.

## Ladevorgang über USB-Stromversorgungsanschluss

Der USB-Port befindet sich an der Vorderseite des Radios. Sie können ein USB-Gerät über den USB-Port aufladen.

1. Schließen Sie das USB-Gerät, z. B. einen MP3- oder CD-Spieler, über ein handelsübliches USB-Kabel an.
2. Schalten Sie das Radio mit der Betriebstaste ein.
3. Unabhängig davon, ob das Radio via AC-Netzstrom oder Batteriestrom betrieben wird, kann das Radio das externe USB-Gerät aufladen, sofern das Radio eingeschaltet und der DAB/UKW-Radiomodus, BT-Modus oder AUX-Modus (bei Anschluss einer externen Audioquelle) aktiviert ist.

### Hinweis:

- Beim aktiven USB-Ladevorgang steht nur eine eingeschränkte Lautsprecherleistung zur Verfügung.
- Der USB-Port kann max. 5V/2.4A zur Verfügung stellen.

### Wichtig:

- Vor dem Anschluss Ihres USB-Geräts an den USB-Port müssen Sie immer ein Daten-Backup Ihres USB-Geräts ausführen! Ihre Daten könnten sonst möglicherweise durch unvorhersehbare Umstände verloren gehen.
- Das Radio kann möglicherweise einige USB-Geräte nicht mit Elektrizität versorgen.
- Schließen Sie die USB-Abdeckung und ziehen Sie das USB-Kabel ab, wenn Sie den USB-Port nicht benutzen.
- Schließen Sie am USB-Port keine Versorgungsspannung an! Es besteht ansonsten Brandgefahr! Der USB-Port ist ausschließlich zum Laden von Niederspannungsgeräten geeignet. Schließen Sie immer die Abdeckung des USB-Ports, wenn Sie kein Niederspannungsgerät laden.
- Niemals Fremdkörper (Nägel, Draht etc.) in den USB-Stromversorgungsanschluss einführen! Es könnte ein Kurzschluss entstehen und einen Brand mit Rauchentwicklung verursachen.
- Schließen Sie niemals den USB-Port des Radios am USB-Port eines PCs an, weil dadurch beide Geräte beschädigt werden können!

## RADIO HÖREN

Dieses Radio verfügt über drei Möglichkeiten der Sendereinstellung: Sendersuchlauf, manuelle Sendereinstellung und Aufrufen zuvor gespeicherter Sender.

## Sender einschalten – DAB

### Hinweis:

Die DAB-Antenne ist im Griff integriert. Klappen Sie den Griff während des Radiobetriebs für einen besseren Empfang vollständig nach oben.

1. Schalten Sie das Radio mit der Betriebstaste ein.
2. Wählen Sie durch Drücken der Frequenzbandtaste den DAB-Radiomodus aus.
3. Drücken Sie den Tuning-Regler gedrückt, um die Senderliste aufzurufen. Alternativ dazu können Sie die Taste für die erweiterten Einstellungen drücken und anschließend den Tuning-Regler drehen, um die „Senderliste“ auszuwählen. Drücken Sie auf den Tuning-Regler, um die Senderliste zu öffnen.
4. Drehen Sie den Tuning-Regler, um durch die Liste der verfügbaren Radiosender zu scrollen. Drücken Sie auf den Tuning-Regler, um einen Sender auszuwählen.
5. Stellen Sie die Lautstärke mit dem Lautstärkeregler entsprechend ein.

## Anzeigemodi – DAB

Ihr Radio unterstützt im DAB-Modus eine Vielzahl an Anzeigooptionen.

Drücken Sie die Info-Taste, um durch die unterschiedlichen Optionen zu scrollen.

- |                            |  |
|----------------------------|--|
| a. Dynamisches Textsegment | Zusätzliche Infos laufen in Textform (bis zu 128 Zeichen) neben dem DAB bzw. DAB+ Radiosender über das Display. Anzeige von Textmitteilungen wie Künstler/Titel, Telefon-Hotline, usw. |
| b. Programmtyp             | Typ des aktuellen Senders, wie z.B. Pop, Klassik, Nachrichten, usw.  |
| c. Multiplex-Name          | Name des DAB-Multiplex des aktuellen Senders.  |
| d. Frequenz und Sender     | Frequenz und Sendernummer des aktuellen DAB-Senders.   |
| e. Signalfehler/-stärke    | Signalfehler oder Signalstärke des aktuellen Senders. Eine niedrigere Fehlernummer weist auf eine bessere Qualität des Radiosignals hin.   |
| f. Bitrate/ Audio-Typ      | Digitale Audio-Bitrate und Audio-Typ des aktuellen DAB-Senders.  |
| g. Datum                   | Aktuelles Datum.   |

Falls mit einer DAB-Sendung ein Slideshow-Bild übertragen wird, können Sie dieses durch Halten des Tuning-Reglers gedrückt als Vollbild anzeigen. Wird die Sendung in Stereo übertragen, erscheint unten im Display das Stereolautsprechersymbol.

## Neue Sender suchen – DAB

Von Zeit zu Zeit werden neue DAB-Radiosender verfügbar sein. Auch nach einem Umzug in eine andere Stadt ist es möglicherweise erforderlich, das Radio erneut zu initiieren und nach neuen Sendern zu suchen. Um nach neuen verfügbaren Sendern zu suchen, wird empfohlen, eine vollständige Suche nach allen DAB Band III Frequenzen durchzuführen.

1. Schalten Sie Ihr Radio mit der Betriebstaste ein.
2. Wählen Sie durch Drücken der Frequenzbandtaste den DAB-Modus aus.
3. Drücken Sie die Taste für die automatische Sendersuche, um die Suche zu starten. Im Display erscheint „Sendersuche“ und das Radio sucht alle DAB Band III Frequenzen ab. Wenn das Radio einen neuen Sender findet, erhöht sich der Zähler im Display und der Sender wird zur Senderliste hinzugefügt. Das Balkendiagramm weist auf den Suchfortschritt hin.

## Manuelle Sendersuche – DAB

Die manuelle Sendersuche ermöglicht Ihnen, nach einer bestimmten Band III DAB-Frequenz zu suchen. Sie können diese Funktion auch bei der Positionierung der Antenne oder des Radios verwenden, um den Empfang eines bestimmten Senders oder einer Frequenz noch zu verbessern.

1. Drücken Sie im DAB-Modus die Taste für die erweiterten Einstellungen, um die Menüeinstellungen zu öffnen.
2. Drehen Sie den Tuning-Regler zur Auswahl der Option „Manuelle Sendersuche“. Drücken Sie auf den Tuning-Regler, um den manuellen Suchmodus zu aktivieren.
3. Drehen Sie nun den Tuning-Regler zur Auswahl des gewünschten DAB-Senders. Drücken Sie den Tuning-Regler zum Bestätigen der ausgewählten Frequenz.

## Dynamiksteuerung (DRC) – DAB

Mit der DRC-Funktion können leisere Töne besser hörbar gemacht werden, wenn das Radio in einer lauten Umgebung verwendet wird. Diese Funktion reduziert den Dynamikbereich des Audiosignals. Es stehen drei Optionen zur Verfügung:

- |     |                         |
|-----|-------------------------|
| 1   | Maximale Komprimierung. |
| 1/2 | Mittlere Komprimierung. |
| 0   | Keine Komprimierung.    |
1. Drücken Sie im DAB-Modus die Taste für die erweiterten Einstellungen, um die Menüeinstellungen zu öffnen.
  2. Drehen Sie den Tuning-Regler zur Auswahl der Option „DRC“ und öffnen Sie das Menü durch Drücken des Tuning-Reglers. Im Display wird dann

- der aktuelle DRC-Wert angezeigt.
- 3. Drehen Sie den Tuning-Regler zur Auswahl der gewünschten DRC-Einstellung.
- 4. Drücken Sie den Tuning-Regler zum Bestätigen.

### Senderreihenfolge – DAB

Das Radio unterstützt 3 Einstellungen für die Senderreihenfolge: Alphanumerisch, Ensemble und Gültiger Sender.

1. Drücken Sie im DAB-Modus die Taste für die erweiterten Einstellungen, um die Menüeinstellungen zu öffnen.
2. Drehen Sie den Tuning-Regler zur Auswahl der Option „Senderreihenfolge“ und öffnen Sie das Menü durch Drücken des Tuning-Reglers.
3. Drehen Sie den Tuning-Regler zur Auswahl einer der nachfolgenden Optionen und drücken Sie dann den Tuning-Regler zum Bestätigen.

Alphanumerisch	Die Sender werden alphanumerisch (0...9 A...Z) sortiert.
Ensemble	Sender werden nach DAB-Multiplex sortiert.
Gültig	Es werden nur Sender mit vorhandenem Signal angezeigt.

### Sendersuche – UKW

#### Hinweis:

Die UKW-Antenne ist im Griff integriert. Klappen Sie den Griff während des Radiobetriebs für einen besseren Empfang vollständig nach oben.

1. Schalten Sie das Radio mit der Betriebstaste ein.
2. Drücken Sie die Frequenzbandtaste zur Auswahl des UKW-Radiomodus.
3. Drücken Sie die Taste für die automatische Sendersuche. Das Radio sucht nach Sendern und beendet die Suche automatisch, sobald ein Radiosender gefunden wurde.
4. Nach einigen Sekunden wird das Display aktualisiert. Im Display werden die Frequenz und das Signal angezeigt. Sofern das Signal stark genug ist und RDS-Daten vorhanden sind, wird im Display auch der Sendername angezeigt.
5. Drücken Sie die Taste für die automatische Sendersuche erneut, um weitere Sender zu suchen.
6. Am Ende des Wellenbands setzt das Radio die Sendersuche in entgegengesetzter Richtung des Wellenbands fort.
7. Stellen Sie die Lautstärke mit dem Lautstärkeregler entsprechend ein.

#### Hinweis:

Stellen Sie die Lautstärke nicht zu laut ein. Meiden Sie hohe Lautstärken über längere Zeiträume, um

Gehörschäden zu vermeiden.

8. Drücken Sie die Betriebstaste, um das Radio auszuschalten.

### Manuelle Sendersuche – UKW

1. Schalten Sie das Radio mit der Betriebstaste ein.
2. Drücken Sie die Frequenzbandtaste zur Auswahl des UKW-Radiomodus.
3. Drücken Sie den Tuning-Regler, um den Suchmodus auszuwählen.
4. Drehen Sie nun den Tuning-Regler zum Suchen des gewünschten Senders.
5. Um die Lautstärke einzustellen, drücken Sie erneut auf den Tuning-Regler, um den Modus für die Lautstärkeeinstellung zu aktivieren.
6. Drehen Sie dann den Lautstärkeregler zum Einstellen der Lautstärke.

### Anzeigemodi – UKW (RDS)

Ihr Radio unterstützt eine Vielzahl an Anzeigeoptionen für den UKW-Modus.

Die RDS-Anzeige unten im Display weist darauf hin, dass für die aktuelle Sendung unterschiedliche RDS-Daten übertragen werden. Das Stereolautsprechersymbol weist darauf hin, dass die Sendung in Stereo empfangen wird.

Drücken Sie wiederholt auf die Info-Taste, um die RDS-Daten (Radio Data System) für den aktuellen Sender anzuzeigen.

- |                |   |
|----------------|---|
| a. Radiotext   | Radio-Textmitteilungen, z.B. über neue Inhalte, usw.  |
| b. Programmtyp | Typ des aktuellen Senders, wie z.B. Pop, Klassik, Nachrichten, usw.                                 |
| c. Frequenz    | Frequenz des UKW-Signals. (Falls keine RDS-Daten verfügbar sind, erscheint die Anzeige „Namenlos“.) |
| d. Audiomodus  | Aktueller Audiomodus.   |
| e. Datum       | Aktuelles Datum.  |

### UKW-Suchbereich

Der UKW-Modus ermöglicht die Suche nach lokalen Sendern bzw. nach allen Sendern einschließlich weit entfernter Sender.

1. Drücken Sie im UKW-Modus die Taste für die erweiterten Einstellungen, um die Menüeinstellungen zu öffnen.
2. Drehen Sie den Tuning-Regler zur Auswahl der Option „Suchbereich“. Drücken Sie dann den Tuning-Regler zum Bestätigen. Die aktuell aktivierte Einstellung ist angekreuzt.
3. Drehen Sie den Tuning-Regler zur Auswahl der Option „Lokal“ (nur Sender mit starkem Signal) oder „Entfernt“ (Alle Sender). Bei der Suche nach

entfernten Sendern können auch Sender mit schwächerem Signal gefunden werden.

4. Drücken Sie den Tuning-Regler zum Bestätigen. Die von Ihnen gewählte Einstellung bleibt solange erhalten, bis Sie diese ändern oder das System zurücksetzen.

### Stereo/Mono – UKW

Bei schwachem Signal eines Senders ist möglicherweise ein Rauschen zu hören. Dieses Rauschen kann reduziert werden, indem Sie den Sender in Mono anstatt in Stereo wiedergeben lassen.

1. Schalten Sie den UKW-Modus und anschließend den gewünschten UKW-Radiosender ein.
2. Drücken Sie die Taste für die erweiterten Einstellungen, um die Menüeinstellungen zu öffnen.
3. Drehen Sie den Tuning-Regler zur Auswahl von „Audioeinstellungen“ und drücken Sie den Regler zum Bestätigen. Die aktuelle Audioeinstellung ist angekreuzt.
4. Drehen Sie den Tuning-Regler zur Auswahl von „Mono erzwingen“ oder „Stereo zulassen“ und drücken Sie den Regler zum Bestätigen Ihrer Einstellung.

### Radiosender im DAB - und UKW-Modus speichern

Der DAB- und der UKW-Modus verfügen über jeweils 5 Speicherplätze. Die Vorgehensweise zum Speichern von Sendern ist für beide Frequenzbänder identisch.

1. Schalten Sie das Radio mit der Betriebstaste ein.
2. Drücken Sie die Frequenzbandtaste zur Auswahl des gewünschten Frequenzbands. Schalten Sie dann wie weiter vorn beschrieben einen Sender ein.
3. Halten Sie die gewünschte Speichertaste gedrückt, bis im Display (z.B.) die Anzeige „Auf Platz 1 gespeichert“ erscheint.  erscheint unten im Display. Der Sender ist nun auf dem ausgewählten Speicherplatz hinterlegt. Wiederholen Sie diese Vorgehensweise ggf. für weitere Sender.
4. Bereits gespeicherte Sender können ggf. anhand oben erläuteter Methode überschrieben werden.

### Gespeicherte Radiosender im DAB- und UKW-Modus aufrufen

1. Schalten Sie das Radio mit der Betriebstaste ein.
2. Drücken Sie die Frequenzbandtaste zur Auswahl des DAB- oder UKW-Modus.
3. Drücken Sie kurz die gewünschte Speichertaste, um den darauf gespeicherten Sender einzuschalten.

## WEITERE EINSTELLUNGEN

### Automatische Aktualisierung der Uhrzeit

Sie können festlegen, ob die Uhrzeit via DAB- oder UKW-Übertragung eingestellt werden soll. Nach einem Stromausfall aktualisiert das Radio die Uhrzeit, sobald Sie den DAB- bzw. UKW-Modus erneut einschalten.

1. Drücken Sie, wenn das Radio eingeschaltet ist, die Taste für die erweiterten Einstellungen, um das Menü für den aktuellen Modus zu öffnen.
2. Drehen Sie den Tuning-Regler zur Auswahl der Option „Uhrzeit/Datum“ und drücken Sie den Regler zum Bestätigen.
3. Drehen Sie den Tuning-Regler nun zur Auswahl der Option „Automatische Aktualisierung“ und drücken Sie den Regler, um das entsprechende Menü zu öffnen.
4. Drehen Sie den Tuning-Regler zur Auswahl der Art der Aktualisierung: „Beliebig“, „DAB“ oder „UKW“. Drücken Sie den Tuning-Regler zum Bestätigen. Die aktuelle Einstellung ist angekreuzt.

### Uhrzeitformat einstellen

1. Drücken Sie, wenn das Radio eingeschaltet ist, die Taste für die erweiterten Einstellungen, um das Menü für den aktuellen Modus zu öffnen.
2. Drehen Sie den Tuning-Regler zur Auswahl der Option „Uhrzeit/Datum“ und drücken Sie den Regler zum Bestätigen.
3. Drehen Sie den Tuning-Regler nun zur Auswahl von „12/24 Stunden“ und drücken Sie den Regler, um die Einstellungen für das Uhrzeitformat zu öffnen. Die aktuelle Einstellung ist entsprechend angekreuzt.
4. Drehen Sie den Tuning-Regler zur Auswahl des 12- oder 24-Stundenformats und drücken Sie den Tuning-Regler zum Bestätigen. Falls Sie das 12-Stundenformat auswählen, erscheint im Display das 12-Stundenformat und die Anzeige AM bzw. PM.

### Datumsformat einstellen

1. Drücken Sie, wenn das Radio eingeschaltet ist, die Taste für die erweiterten Einstellungen, um das Menü für den aktuellen Modus zu öffnen.
2. Drehen Sie den Tuning-Regler zur Auswahl der Option „Uhrzeit/Datum“ und drücken Sie den Regler zum Bestätigen.
3. Drehen Sie den Tuning-Regler zur Auswahl der Option „Datumsformat einstellen“ und drücken Sie den Regler, um die Einstellungen aufzurufen.
4. Drehen Sie nun den Tuning-Regler zur Auswahl von „TT-MM-JJJJ“ oder „MM-TT-JJJJ“ als Datumsformat und drücken Sie den Regler zum Bestätigen.

## Lautheit

Sie können höhere und tiefere Frequenzen kompensieren, indem Sie entsprechende Einstellungen mit der Lautheit-Funktion vornehmen.

1. Drücken Sie, wenn das Radio eingeschaltet ist, die Taste für die erweiterten Einstellungen, um das Menü für den aktuellen Modus zu öffnen.
2. Drehen Sie den Tuning-Regler zur Auswahl der Option „Lautheit“ und drücken Sie den Regler zum Bestätigen.
3. Drehen Sie den Tuning-Regler zur Auswahl von „Ein“, um die Lautheit-Funktion zu aktivieren, oder „Aus“, um die Funktion zu deaktivieren. Bestätigen Sie durch Drücken des Tuning-Reglers.

## Sprache

Das Radio unterstützt 8 Sprachen: Englisch, Deutsch, Italienisch, Französisch, Holländisch, Dänisch, Norwegisch und Polnisch.

1. Wenn das Radio eingeschaltet ist, drücken Sie die Taste für die erweiterten Einstellungen, um das Menü für den aktuellen Modus zu öffnen.
2. Drehen Sie den Tuning-Regler zur Auswahl der Option „Sprache“ und drücken Sie den Regler zum Bestätigen.
3. Drehen Sie nun den Tuning-Regler zur Auswahl der gewünschten Sprache und bestätigen Sie durch Drücken des Reglers.

## Rückstellung

Falls Sie Ihr Radio auf die ursprünglichen Werkseinstellungen zurücksetzen möchten, können Sie anhand der nachfolgenden Punkte vorgehen. Bei der Rückstellung werden alle vom Benutzer vorgenommenen Einstellungen gelöscht.

1. Wenn das Radio eingeschaltet ist, drücken Sie die Taste für die erweiterten Einstellungen, um das Menü für den aktuellen Modus zu öffnen.
2. Drehen Sie den Tuning-Regler zur Auswahl der Option „Rückstellung“ und drücken Sie den Regler zum Bestätigen.
3. Drehen Sie nun den Tuning-Regler zur Auswahl von „Ja“ oder „Nein“. Falls Sie die Systemrückstellung doch nicht durchführen möchten, wählen Sie „Nein“ und drücken Sie auf den Regler. Falls Sie „Ja“ wählen und den Tuning-Regler drücken, wird die Rückstellung durchgeführt. Die Senderliste und alle gespeicherten Sender werden gelöscht und die Werkseinstellungen wiederhergestellt.

Im Fall von Fehlfunktionen aufgrund elektrostatischer Entladung kann durch die Rückstellung (erneuter Anschluss mit der Stromversorgung ist eventuell erforderlich) der normale Betrieb fortgesetzt werden.

## Micro-USB-Port für Software-Aktualisierung

In der Zukunft werden immer wieder Aktualisierungen für die Software des Radios verfügbar sein. Informationen darüber, ob Aktualisierungen verfügbar sind und wie diese installiert werden, finden Sie auf der **Webseite von Makita**.

1. Verbinden Sie ein Micro-USB-Kabel (nicht enthalten) mit dem USB-Port im Batteriefach und mit Ihrem PC.
2. Wenn das Radio eingeschaltet ist, drücken Sie die Taste für die erweiterten Einstellungen, um das Menü für den aktuellen Modus zu öffnen.
3. Drehen Sie den Tuning-Regler zur Auswahl der Option „Software-Aktualisierung“ und drücken Sie den Regler zum Bestätigen.
4. Drehen Sie nun den Tuning-Regler zur Auswahl von „Ja“ oder „Nein“. Falls Sie die Systemrückstellung doch nicht durchführen möchten, wählen Sie „Nein“ und drücken Sie auf den Regler. Falls Sie „Ja“ wählen und den Tuning-Regler drücken, erscheint im Display die Anzeige „Warte auf PC-Wizard“. Öffnen Sie die Webseite und laden Sie dort die aktuellste Software herunter. Folgen Sie den Anleitungen auf dem Bildschirm Ihres PC, um die Aktualisierung der Software durchzuführen und abzuschließen.

### Hinweis:

Bitte verwenden Sie das AC-Netzteil während der Aktualisierung der Software. Schalten Sie das Radio nicht aus, während die Aktualisierung noch im Gange ist und das Radio noch nicht neu gestartet wurde; anderenfalls könnte das Gerät permanent beschädigt werden.

## Software-Version

1. Wenn das Radio eingeschaltet ist, drücken Sie die Taste für die erweiterten Einstellungen, um das Menü für den aktuellen Modus zu öffnen.
2. Drehen Sie den Tuning-Regler zur Auswahl der Option „Software-Version“ und drücken Sie den Regler, um die aktuelle Version anzuzeigen.

## Equalizer-Funktion

Um den Tuning-Regler herum befinden sich 7 LED-Anzeigen, die jeweils auf unterschiedliche EQ-Modi hinweisen.

1. Schalten Sie das Radio mit der Betriebstaste ein.
2. Drücken Sie auf die EQ-Taste, um das EQ-Einstellungsmenü zu öffnen.
3. Drehen Sie den Tuning-Regler zur Auswahl des gewünschten Modus und drücken Sie zum Bestätigen auf den Tuning-Regler.

EQ-Modus	LED-Anzeige
FLAT	Weiß
JAZZ	Blau
ROCK	Rot
KLASSIK	Braun
POP	Pink
NACHRICHTEN	Gelb
BENUTZERDEF.	Grün

## EQ-Profil einrichten

1. Drücken Sie die EQ-Taste, um das Menü mit den EQ-Einstellungen zu öffnen.
2. Drehen Sie den Tuning-Regler zur Auswahl der Option „Mein EQ-Profil“ und drücken Sie den Regler, um das Menü zu öffnen.
3. Drehen Sie den Tuning-Regler zur Auswahl der Option „Hochton“ und drücken Sie den Regler zum Bestätigen. Drehen Sie nun den Tuning-Regler zur Auswahl der gewünschten Hochtoneinstellung und bestätigen Sie durch Drücken des Reglers.
4. Drehen Sie den Tuning-Regler zur Auswahl der Option „Mittelton“ und drücken Sie den Regler zum Bestätigen. Drehen Sie nun den Tuning-Regler zur Auswahl des gewünschten Mitteltons und bestätigen Sie durch Drücken des Reglers.
5. Drehen Sie den Tuning-Regler zur Auswahl der Option „Tiefton“ und drücken Sie den Regler zum Bestätigen. Drehen Sie nun den Tuning-Regler zur Auswahl der gewünschten Tieftoneinstellung und bestätigen Sie durch Drücken des Reglers.

### Hinweis:

Falls Sie den Equalizer zur Hervorhebung des Basses verwenden und dann bei hohen Lautstärken Musik hören, kann der Sound abgebrochen oder verzerrt sein. Stellen Sie in solch einem Fall die Lautstärke entsprechend angemessen ein.

## MUSIKWIEDERGABE VIA BLUETOOTH-ÜBERTRAGUNG

Sie müssen zunächst Ihr Bluetooth-Gerät mit dem radio koppeln, bevor Sie mit diesem radio Musik via Bluetooth abspielen/übertragen können. Durch die Kopplung entsteht eine „Verbindung“, damit sich beide Geräte gegenseitig erkennen.

### Hinweis:

- Für eine bessere Sound-Qualität empfehlen wir, die Lautstärke an Ihrem Bluetooth-Gerät mit einer Einstellung von zwei Dritteln und am radio je nach Bedarf einzustellen.
- Der radio kann bis zu 8 gekoppelte Geräte speichern. Bei Überschreitung der Anzahl dieses Speichers wird

der älteste Speichereintrag überschrieben.

## Erstmalige Kopplung mit einem Bluetooth-Gerät

1. Schalten Sie das Radio mit der Betriebstaste ein. Drücken Sie die Frequenzbandtaste zur Auswahl des Bluetooth-Modus; im Display erscheint die Anzeige „BT-Kopplung“ und die Speichertasten (1-5) blinken weiß und weisen somit darauf hin, dass das Radio für andere Geräte erkennbar ist.
2. Aktivieren Sie an Ihrem externen Gerät die Bluetooth-Funktion; informieren Sie sich entsprechend in dessen Bedienungsanleitung. Öffnen Sie die Bluetooth-Geräteleiste und wählen Sie die Option „DMR115“. Bei einigen Mobilgeräten mit älteren Versionen als BT2.1 müssen Sie ggf. das Passwort „0000“ eingeben.
3. Nach der erfolgreichen Kopplung ertönt ein Bestätigungston und die Speichertasten (1-5) leuchten stetig weiß. Sie können nun Musik an Ihrem externen Gerät auswählen und abspielen. Die Lautstärke stellen Sie am externen Gerät oder direkt am Radio ein.
4. Verwenden Sie die Tasten an Ihrem Bluetooth-fähigen Gerät oder am Radio, um die Wiedergabe zu starten/ zu unterbrechen oder um Titel zu überspringen.

### Hinweis:

- Bei der erstmaligen Kopplung von 2 Bluetooth-Geräten suchen beide Geräte nach dem radio; an beiden Geräten wird dessen Verfügbarkeit angezeigt. Sobald jedoch ein Gerät mit dem radio verbunden ist, erscheint es nicht mehr in der Geräteleiste des zweiten Bluetooth-Geräts.
- Falls Ihr Bluetooth-Gerät vorübergehend vom radio getrennt ist, müssen Sie es erneut manuell mit dem radio verbinden.
- Falls „DMR115“ in der Geräteleiste Ihres Bluetooth-Geräts erscheint, jedoch nicht verbunden werden kann, löschen Sie es aus der Liste und führen Sie die Kopplung erneut anhand der vorher beschriebenen Vorgehensweise durch.
- Die optimale Bluetooth-Übertragungsbereichweite zum Radio beträgt ungefähr 10 Meter (30 Fuß) (Sichtlinie), wobei jedoch Reichweiten von bis zu 30 Metern (100 Fuß) möglich sein können.
- Falls die Bluetooth-Verbindung aufgrund einer zu lange andauernden Trennung, einer Überschreitung der optimalen Reichweite oder aufgrund von Hindernissen oder ähnlichem getrennt wurde, müssen das Gerät und das Radio möglicherweise erneut verbunden werden.
- Gegenstände, schnurlose Geräte oder elektromagnetische Geräte können die Verbindungsqualität beeinflussen.

- Bluetooth-Verbindungsfähigkeit kann je nach verbundenem Bluetooth-Gerät variieren. Informieren Sie sich über die Bluetooth-Fähigkeit Ihres externen Geräts, bevor Sie Ihr Radio verbinden. Einige gekoppelte Bluetooth-Geräte unterstützen möglicherweise nicht alle Funktionen.

### Wiedergabe von Audiodateien im Bluetooth-Modus

Nachdem Sie Ihren radio erfolgreich mit einem Bluetooth-Gerät verbunden haben, können Sie Musik unter Verwendung der Tasten am verbundenen Bluetooth-Gerät abspielen.

1. Nach dem Start der Wiedergabe können Sie die Lautstärke mit den Lautstärketasten an Ihrem radio oder Ihrem aktivierten Bluetooth-Gerät einstellen.
2. Verwenden Sie die Tasten an Ihrem Bluetooth-Gerät, um die Wiedergabe zu starten bzw. zu unterbrechen oder um Titel zu überspringen. Alternativ dazu können Sie diese Funktionen mit den Tasten Wiedergabe/ Pause/Nächster Titel oder Vorheriger Titel am Radio ausführen.
3. Halten Sie die Taste Vorspulen oder Zurückspulen gedrückt, um durch den aktuellen Titel zu scrollen. Lassen Sie die Taste an der gewünschten Stelle los.

#### Hinweis:

- Einige Player-Anwendungen oder Geräte sind möglicherweise nicht mit allen diesen Tasten kompatibel.
- Bei einigen Handys wird möglicherweise vorübergehend die Verbindung mit dem radio getrennt, während Sie Anrufe tätigen oder entgegennehmen. An einigen Geräten wird die Bluetooth-Übertragung stumm geschaltet, wenn Textnachrichten und E-Mails eingehen oder andere Gründe auftreten, die nicht im Zusammenhang mit der Audioübertragung stehen. Dies liegt am externen Gerät und ist keine Fehlfunktion Ihres radio.

### Wiedergabe eines bereits früher gekoppelten Bluetooth-Geräts

Falls Ihr Bluetooth-Gerät bereits zu einem früheren Zeitpunkt mit dem radio gekoppelt wurde, erkennt der radio das Bluetooth-Gerät und wird immer versuchen, die Verbindung mit dem zuletzt verbundenen Gerät wieder herzustellen. Falls das zuletzt verbundene Gerät nicht verfügbar ist, ist der radio nicht erkennbar.

### Bluetooth-Gerät trennen

Halten Sie die Taste für die Bluetooth-Kopplung 2-3 Sekunden lang gedrückt, bis die Anzeige „BT-Kopplung“ erscheint, oder deaktivieren Sie die Bluetooth-Funktion an Ihrem externen Gerät, um die Verbindung zu trennen. Alternativ dazu können Sie die Frequenzbandtaste

drücken und einen anderen Modus (außer Bluetooth) auswählen, um die Verbindung zu trennen.

### Gekoppelte Bluetooth-Geräte aus dem Speicher löschen

Um alle in der Vergangenheit gekoppelten Geräte aus dem Speicher zu löschen, halten Sie die Taste für die Bluetooth-Kopplung länger als 7 Sekunden gedrückt, bis im Display die Anzeige „Wird gelöscht“ erscheint.

## AUX-EINGANGSBUCHSE

An der Vorderseite des Radios befindet sich ein 3,5 mm Aux-Eingang für den Anschluss und die Wiedergabe eines externen Audiogeräts, wie z.B. MP3- oder CD-Player.

1. Schließen Sie ein externes Audiogerät (z.B. MP3- oder CD-Player) an den AUX-Eingang an.
2. Schalten Sie das Radio mit der Betriebstaste ein.
3. Drücken Sie wiederholt die Frequenzbandtaste, bis die Anzeige „AUX IN“ erscheint.
4. Im Hinblick auf eine bessere Soundqualität wird empfohlen, am Audiogerät die Lautstärke mit ungefähr zwei Dritteln und dann entsprechend am Radio einzustellen.

#### HINWEIS:

Das Audiokabel ist kein Standardzubehör des Produkts.

## WARTUNG

#### ACHTUNG:

- Verwenden Sie zum Reinigen niemals Kraftstoffe, Benzin, Verdüner, Alkohol oder ähnliches. Dies kann zu Verfärbungen, Verformungen oder Rissen führen.
- Reinigen Sie das Radio nicht mit Wasser.

# TECHNISCHE DATEN

Leistungsanforderungen	
AC-Netzteil	DC 12V 2,5A, positiver mittlerer Kontakt
Batterie	Gleitende Batterie: 10,8V - 18V
Frequenzbereich	UKW 87,50-108MHz (in Intervallen von 0,05MHz) DAB/DAB+ 174,928-239,200 MHz
DAB/DAB+ Senderblock	DAB (Band III) 5A-13F
Kompatibler Standard	DAB/DAB+

Bluetooth®	
(Die Bluetooth®-Wortmarke und die Bluetooth®-Logos sind eingetragene Marken von Bluetooth SIG, Inc.)	
Bluetooth-Version	5.0 Zertifiziert
Bluetooth-Profile	A2DP/SCMS-T/AVRCP
Übertragungsleistung	Leistungsklasse 2
Übertragungsbereich	Optimum: Max. 10 Meter (33 Fuß) Möglich: Max. 30 Meter (100 Fuß) (abhängig von den Gebrauchsbedingungen)
Bluetooth-Codexs	SBC, AAC
Max. Radiofrequenzleistung	BT EDR: 1.91dBm BT LE: 0.21dBm
Betriebsfrequenz	2402MHz~2480MHz

Schaltkreis	
Lautsprecher	2,5 Zoll 8 Ohm x 2 4 Zoll 6 Ohm x 1
Ausgangsleistung	10,8V-12V max: 2W x 2 + 10W 14,4V: 3W x 2 + 15W 18V: 5W x 2 + 25W
Eingang	3,5 mm Durchmesser (AUX IN)
Antennensystem	DAB/FM: Integrierte Antenne
Abmessungen (L x B x H)	268 x 164 x 295 mm
Gewicht	4,8 KG (ohne Batterie)



## ITALIANO (Istruzioni Originali)

### LEGENDA DELLA PANORAMICA (Fig. 1)

1. Impugnatura con antenna incorporata (DAB/FM)
2. Chiusura vano batteria
3. Coperchio vano batteria (copre il pacco batteria)
4. Altoparlante
5. Presa DC IN
6. Subwoofer
7. Tasto di alimentazione
8. Tasto banda
9. Tasto impostazioni avanzate
10. Tasto Info
11. Luce LED
12. Tasto Preselezione 3/Avvio/Pausa
13. Tasto Preselezione 5
14. Tasto Preselezione 4/Brano successivo/  
Avanzamento veloce
15. Manopola Volume/Sintonizzazione/Selezione
16. Tasto Controllo EQ
17. Presa AUX IN
18. Porta di alimentazione USB
19. Tasto sintonizzazione automatica
20. Indicatore LED modalità EQ
21. Tasto Preselezione 2/Brano precedente/  
Riavvolgimento veloce
22. Tasto Preselezione 1/Abbinamento Bluetooth
23. Quadrante LCD
24. Vano batteria
25. Porta micro-USB per l'aggiornamento del software

### LEGENDA

Qui di seguito vengono descritti i simboli usati per l'apparecchio, il cui significato va compreso prima dell'uso.



Leggere il manuale delle istruzioni.



Solo per i paesi della UE.

Non gettare batterie o dispositivi elettrici con i rifiuti domestici ordinari! Nel rispetto delle Direttive Europee sui Dispositivi Elettrici ed Elettronici di Scarto e sulle Batterie e Accumulatori e sulle Batterie ed Accumulatori di Scarto e la loro implementazione in accordo con le leggi nazionali, i dispositivi elettrici e le batterie al termine del loro

ciclo vitale devono essere raccolte separatamente e consegnate a una struttura di riciclaggio nel rispetto dell'ambiente.

### IMPORTANTI ISTRUZIONI PER LA SICUREZZA

#### **AVVERTENZE:**

Quando si usa un apparecchio elettrico, è necessario seguire alcune semplici precauzioni per ridurre il rischio di incendi, scosse elettriche e infortuni, incluse le seguenti:

1. Prima dell'uso, studiare bene il presente manuale e il manuale delle istruzioni del caricabatteria.
2. Pulire solo con un panno asciutto.
3. Non installare nei pressi di fonti di calore, quali stufe, termosifoni, radiatori o altri apparecchi che producano calore (amplificatori inclusi).
4. Usare esclusivamente gli accessori specificati dal produttore.
5. Staccare la spina dell'apparecchio durante i temporali o se non intende usarlo per lunghi periodi.
6. Le radio con batteria integrata o separata devono essere ricaricate solo con il caricabatteria specifico per quel tipo di batteria. Un caricabatteria destinato ad un determinato tipo di batteria potrebbe comportare il pericolo di incendio se utilizzato con batterie diverse.
7. Utilizzare la radio a batteria solo con le batterie specifiche. L'utilizzo di batterie diverse potrebbe esporre al rischio di incendio.
8. Quando il pacco di batterie non è in uso, va tenuto separato da altri oggetti in metallo, quali fermagli, monete, chiavi, viti e altri oggetti metallici minuti, che potrebbero mettere in cortocircuito i due poli della batteria, con il rischio di causare scintille, e conseguenti incendi o ustioni.
9. Evitare il contatto tra il proprio corpo e altri materiali conduttori, quali tubi, termosifoni, fornelli, frigoriferi e simili. Il rischio di scossa elettrica aumenta di molto se è il proprio corpo è in contatto con tali materiali.
10. L'abuso delle batterie può causare perdite di elettroliti, il contatto con i quali va evitato. In caso di contatto accidentale, sciacquare abbondantemente con acqua pulita. In caso di contatto con gli occhi, rivolgersi immediatamente ad un medico. Gli elettroliti espulsi dalle batterie possono causare ustioni chimiche e irritazioni.
11. Non usare batterie o strumenti danneggiati o alterati. Le batterie danneggiate o alterate potrebbero comportarsi in maniera imprevedibile, causando incendi, esplosioni e lesioni.
12. Non esporre le batterie al fuoco o a temperature sopra i 130 °C, o potrebbero esplodere.
13. Seguire tutte le istruzioni per la ricarica e non caricare le batterie e gli strumenti a temperature

che eccedano le specifiche tecniche indicate nelle istruzioni. La ricarica inappropriata o a temperature non consentite può danneggiare la batteria e aumentare il rischio di incendi.

14. La spina dell'apparecchio funge da dispositivo di scollegamento di emergenza, e come tale va mantenuta prontamente accessibile.
15. Non usare il prodotto ad alto volume per lunghi periodi di tempo. Per preservare l'udito, usare il prodotto a volume moderato.
16. (Solo per prodotti con quadrante LCD) I quadranti LCD contengono sostanze liquide tossiche ed irritanti. Se il liquido entra in contatto con gli occhi, la bocca o la pelle, sciacquare con acqua pulita e contattare un medico.
17. Non esporre il prodotto a pioggia o umidità. L'ingresso di acqua nel prodotto può aumentare il rischio di scossa elettrica.
18. Questo prodotto non è adatto ad essere usato da persone, bambini inclusi, con ridotte capacità fisiche, mentali o sensoriali, o prive della necessaria esperienza e perizia, a meno che non siano istruite e supervisionate da un tutore responsabile per la loro incolumità. I bambini devono essere supervisionati per accertarsi che non giochino con il prodotto. Conservare il prodotto fuori della portata dei bambini.

## CONSERVARE QUESTE ISTRUZIONI

### AVVERTENZE PER LA SICUREZZA SPECIFICHE

#### PER IL PACCO BATTERIA

1. Prima di usare il pacco batteria, leggere tutte le istruzioni e i contrassegni di avvertenza sul pacco stesso (1), sulle batterie (2) e sul prodotto a cui sono destinate (3).
2. Non smontare il pacco batterie.
3. Se la durata delle batterie dovesse ridursi drasticamente, interrompere subito l'uso, così da prevenire il rischio di surriscaldamenti, ustioni ed esplosioni.
4. Nel caso di contatto tra gli elettroliti della batteria e gli occhi, sciacquare con acqua pulita e rivolgersi subito ad un medico. Rischio di danni alla vista.
5. Non mettere il pacco batteria in cortocircuito:
  - (1) Non toccare i poli con materiali conduttori;
  - (2) Non riporre il pacco delle batterie in contenitori con altri oggetti metallici, quali chiodi, monete e simili;
  - (3) Non esporre la batteria ad acqua o umidità. Un cortocircuito della batteria può causare sovraccarichi di tensione, surriscaldamenti, ustioni ed anche guasti.
6. Non riporre l'apparecchio e il pacco delle batterie in

luoghi con temperature vicine o superiori ai 50°C.

7. Non bruciare il pacco batteria, anche se severamente danneggiato o completamente usurato, o potrebbe incendiarsi ed anche esplodere.
8. Non sottoporre le batterie a urti o cadute.
9. Non usare le batterie se danneggiate.
10. Per evitare rischi, leggere il manuale delle batterie sostituibili prima dell'uso. L'emissione massima della batteria dovrebbe essere pari o superiore a 8A.
11. Le incluse batterie agli ioni di litio sono soggette ai requisiti della Legislazione sulle Merci Pericolose. È necessario osservare i requisiti speciali riguardanti il confezionamento e l'etichettatura per il trasporto commerciale da parte di terzi e di spedizionieri. Per approntare tali articoli alla spedizione è richiesta la consulenza di un esperto in materiali pericolosi. Osservare inoltre qualsiasi altra legge locale. Isolare con nastro o mascherare i contatti esposti, ed imballare la batteria così che non si muova all'interno del pacco.
12. Al termine del ciclo di servizio del pacco batteria, rimuoverlo dall'apparecchio e smaltirlo in maniera sicura secondo le vigenti normative locali. Rispettare le leggi locali in materia di smaltimento delle batterie usate.
13. Usare le batterie solo con i prodotti specificati da Makita. Installando le batterie su prodotti non conformi ci si espone al rischio di incendi, surriscaldamento, esplosioni o perdite di elettroliti. Rimuovere la batteria dall'apparecchio se non si intende usarlo per lunghi periodi.

#### **⚠ ATTENZIONE:**

- **Pericoloso di esplosione se la batteria non è sostituita correttamente.**
- **Sostituire solo con batterie dello stesso modello o equivalenti.**
- **Usare solo batterie Makita originali. L'uso di batterie non originali o alterate comporta il rischio di esplosioni, lesioni personali e danni, ed inficerebbe la garanzia Makita per lo strumento e il caricabatteria Makita.**

#### **Suggerimenti per estendere al massimo la durata complessiva della batteria**

1. Ricaricare il pacco della batteria prima che sia del tutto scarico. Se si nota un calo di potenza, cessare sempre l'uso dell'apparecchio e ricaricarne le batterie.
2. Non ricaricare mai delle batterie già completamente cariche. L'eccessiva ricarica può compromettere la durata complessiva delle batterie.
3. Ricaricare le batterie a temperatura ambiente (10°C ~ 40°C). Se calde, lasciarle raffreddare prima di ricaricarle.
4. Ricaricare le batterie se non si intende usarle per lunghi periodi (superiori ai sei mesi).

# AUTONOMIA OPERATIVA

I pacchi batteria adatti a questa radio sono elencati nella seguente tabella.

La seguente tabella indica l'autonomia per le singole ricariche.

Capacità della batteria	Tensione della batteria			USCITA ALTOPARLANTE = 100mW Unità: Ora (circa)	
	10.8V –12Vmax	14.4V	18V	In modalità radio o AUX	Con Bluetooth + Alimentazione USB
1.3 Ah		BL1415		3.5	0.7
			BL1815	4.0	1.0
1.5 Ah	BL1015 BL1016			5.5	0.8
		BL1415N BL1415NA		4.5	0.9
			BL1815N	5.0	1.2
2.0 Ah	BL1020B BL1021B			7.0	1.0
			BL1820 BL1820B	6.5	1.6
3.0 Ah		BL1430 BL1430B BL1430A		8.0	1.6
			BL1830 BL1830B	9.0	2.3
4.0 Ah	BL1040B BL1041B			14	2.1
		BL1440		12	2.5
			BL1840 BL1840B	13	3.2
5.0Ah		BL1450		15	3.0
			BL1850 BL1850B	16	4.2
6.0 Ah		BL1460B BL1460A		16	3.3
			BL1860B	20	5.0

## **ATTENZIONE:**

Usare solo le cartucce per batteria sopra elencate. L'uso di qualsiasi altra cartuccia per batteria espone l'utente al rischio di incendi e lesioni gravi.

### **Nota:**

- La presente tabella relativa all'autonomia delle batterie vale come semplice riferimento.
- L'autonomia reale può variare a seconda del tipo di batteria, delle condizioni di ricarica e dell'ambiente operativo.
- Alcuni dei pacchi batteria e caricabatteria sopra elencati potrebbero non essere disponibili a seconda della vostra area di residenza

# INSTALLAZIONE ED ALIMENTAZIONE (FIG.2)

## ⚠ PERICOLO:

- Fare attenzione a non pizzicarsi le dita quando si apre e richiude lo sportello del vano batteria.
- Dopo aver installato o rimosso il pacco batteria, rimettere il pannello del vano batteria nella sua posizione originale, o il pacco batteria potrebbe accidentalmente fuoriuscire dalla radio, con possibile rischio di danni a cose e persone.
- Richiudere sempre e bloccare il pannello del vano batteria prima di spostare la radio.
- Spegni sempre la radio prima di installare o rimuovere il pacco batteria.
- Non esporre la radio ad urti e cadute. Se rotto o spezzato, il materiale dell'involucro del prodotto potrebbe causare ferite all'utente. Se danneggiata, la radio potrebbe esibire un comportamento anormale e imprevedibile, con rischio di incendio, esplosione e lesioni personali.

## IMPORTANTE:

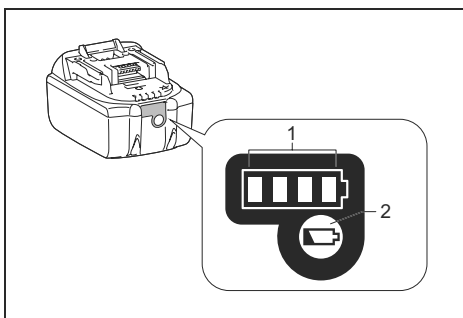
- Cali di potenza, distorsioni, suono frammentato, e il simbolo "⚠ Batteria Scarica" sul quadrante sono tutti segnali che è necessario sostituire il pacco batteria.
- Il pacco batteria non può essere ricaricato usando il l'adattatore AC incluso nella confezione.
- Il pacco batteria non è incluso come accessorio standard.

## Inserimento o rimozione della batteria a scorrimento (Figg. 3 & 4)

- Per inserire la batteria, allineare la linguetta sulla batteria con la scanalatura nell'alloggiamento e farla scorrere in posizione. Inserire a fondo la batteria fino a bloccarla in posizione con uno scatto.
- Se l'indicatore rosso sul lato superiore del tasto rimane visibile, la batteria non è stata bene inserita. Installarla del tutto, fino alla scomparsa dell'indicatore rosso, o la batteria potrebbe accidentalmente fuoriuscire dalla radio, esponendo l'utente e i terzi al rischio di lesioni.
- Non forzare l'inserimento della batteria. Se la batteria non dovesse scorrere agevolmente, significa che non la si sta inserendo correttamente.
- Per rimuovere il pacco batteria, estrarlo dalla radio mentre si fa scorrere il tasto sul davanti del pacco.

## Indicazione della capacità residua della batteria

\* Solo per modelli di batteria il cui codice termina in "B".



## ➤ 1. Indicatore luminoso 2. Tasto di controllo

Premere il tasto di controllo sulla batteria per visualizzarne il livello residuo accendendo per qualche secondo gli indicatori.

### ● Batterie 14,4~18V

Indicatore luminoso			Livello residuo
Acceso	Spento	Lampeggiante	
■	□	◐	75% ~ 100%
■	■	□	50% ~ 75%
■	■	□	25% ~ 50%
■	□	□	0% ~ 25%
◐	□	□	Ricaricare le batterie
■	■	□	Batterie in possibile avaria
□	□	■	

### ● Batterie 10,8~12V massimo

Indicatore luminoso			Livello residuo
Acceso	Spento	Lampeggiante	
■	■	■	75% ~ 100%
■	■	□	50% ~ 75%
■	■	□	25% ~ 50%
■	□	□	0% ~ 25%

## NOTA:

Il valore indicato potrebbe variare leggermente dalla capacità effettiva, a seconda delle condizioni d'uso della temperatura ambientale.

## USO DELL'ADATTATORE AC INCLUSO

Rimuovere la protezione in gomma ed inserire la spina dell'adattatore nella presa DC posta sul lato destro della radio. Collegare l'adattatore ad una presa elettrica standard. Collegando l'adattatore, il pacco batteria viene automaticamente scollegato.

### ⚠ **ATTENZIONE:**

- **Scollegare sempre del tutto l'adattatore AC prima di spostare la radio, per prevenire il rischio di scossa elettrica.**
- **Non tirare o stratonare il cavo dell'adattatore, o la radio potrebbe accidentalmente cadere e danneggiarsi, rischiando di ferire l'utente e i terzi.**

### **IMPORTANTE:**

- L'adattatore collega la radio alla rete elettrica, e deve rimanere sempre accessibile durante l'uso normale.
- Per scollegare the radio, l'adattatore deve essere completamente staccato dalla presa elettrica.
- Usare esclusivamente l'adattatore AC in dotazione con il prodotto o uno specificatamente indicato da Makita.
- Non mettere in bocca il cavo di alimentazione o la spina, o si rischierebbe una scossa elettrica.
- Non toccare la spina con mani umide o unte.
- Un cavo danneggiato o ingarbugliato aumenta il rischio di scossa elettrica. Se il cavo di alimentazione dovesse subire danni, andrà sostituito da un nostro centro di assistenza autorizzato, così da evitare rischi per la sicurezza. Non usare il cavo prima di ripararlo.
- Dopo l'uso, riporre l'adattatore AC al di fuori della portata dei bambini. I bambini non devono giocare con il cavo, o potrebbero farsi male.

## Caricare via porta di alimentazione USB

Il dispositivo USB può essere ricaricato tramite la porta USB posta sul pannello frontale della radio.

1. Collegare il dispositivo USB (lettore MP3 o CD) con un cavo USB disponibile in commercio.
2. Premi il tasto di accensione per accendere la radio.
3. Che sia collegata all'alimentazione CA o alla batteria, la radio può caricare il dispositivo USB quando è accesa e in modalità radio DAB/FM, o in modalità BT o AUX, collegata cioè ad una fonte esterna.

### **Nota:**

- Il volume massimo dell'altoparlante diminuisce durante una ricarica via USB.
- La presa USB fornisce elettricità con massimo 2.4A -5V.

### **Importante:**

- Prima di connettere il dispositivo USB alla porta USB, effettuare sempre una copia dei dati contenuti nel dispositivo USB, per evitare che vadano perduti.
- La radio potrebbe non ricaricare alcuni dispositivi USB.

- Quando non è in uso o dopo il caricamento, rimuovere il cavo USB e richiudere il coperchio.
- Non collegare fonti di alimentazione alla porta USB o si rischierebbe un incendio. La porta USB è destinata solo al caricamento di dispositivi a basso voltaggio. Rimettere sempre il gommino sulla porta USB quando non è in uso.
- Non inserire chiodi, cavi, ecc. nella porta USB. Ciò potrebbe causare un cortocircuito, con rischio d'incendio.
- Non collegare la presa USB alla porta USB di un PC, onde evitare il rischio elevato di guasto delle unità.

## ASCOLTO DELLA RADIO

Questa radio è dotata di tre modalità di sintonizzazione: ricerca automatica, ricerca manuale e preselezione.

### Selezionare una stazione in DAB

#### **Nota:**

l'antenna DAB è incorporata nell'impugnatura; quando utilizzi la radio, solleva la maniglia correttamente sopra la radio per ottenere una ricezione migliore.

1. Premi il Tasto di Alimentazione per riprodurre la radio.
2. Seleziona la modalità DAB premendo il Tasto di Banda.
3. Premi la Manopola di Sintonizzazione per accedere all'elenco delle stazioni. Oppure puoi anche premere il tasto per le opzioni avanzate e quindi ruotare la Manopola di Sintonizzazione per selezionare "Elenco Stazioni". Premi la Manopola di Sintonizzazione per scorrere tra le stazioni disponibili nell'elenco.
4. Ruota la Manopola di Sintonizzazione per scorrere tra le stazioni disponibili. Premi la Manopola di Sintonizzazione per selezionare una stazione.
5. Regola il volume sul livello desiderato ruotando la Manopola del Volume.

### Opzioni di visualizzazione Display in DAB

In modalità DAB, la radio dispone di varie opzioni di visualizzazione.

Premi il Tasto Info per selezionare le differenti opzioni in successione ciclica.

- a. Funzione DLS Servizio di dati supplementari in forma di testo scorrevole (fino a 128 caratteri) accanto al programma radio DAB o DAB +. Visualizza messaggi di testo scorrevoli, come nome artista/brano, numero di telefono ed altro.
- b. Tipo di programma Mostra la tipologia della stazione correntemente in ascolto, come Pop, Classica, Notizie ed altro.

- c. Nome multiplex Mostra il nome del multiplex DAB al quale appartiene la stazione corrente.
- d. Frequenza e canale Mostra la frequenza ed il numero del canale per la stazione DAB corrente.
- e. Potenza/Errore segnale Mostra potenza ed errore del segnale per la stazione corrente. Un numero di errore più basso indica una migliore ricezione del segnale radio.
- f. Bit-rate/Tipo audio Mostra il bit-rate audio digitale ed il tipo di audio per la stazione DAB corrente.
- g. Data Mostra la data corrente.

Per le trasmissioni DAB con immagini, queste potranno essere viste a schermo intero teni premuta la Manopola di Sintonizzazione. Per la trasmissioni in stereo, l'icona dell'altoparlante stereo apparirà in basso sul quadrante.

### Ricerca automatica delle stazioni in DAB

Di tanto in tanto, potrebbero essere disponibili nuove stazioni radio DAB o l'apparecchio potrebbe essere spostato in altro luogo. In questi casi potrebbe essere necessario riattivare la radio per cercare nuove stazioni. Per permettere alla radio di trovare le stazioni disponibili, si consiglia di eseguire una scansione completa di tutte le frequenze della banda DAB III.

1. Premi il Tasto di Alimentazione per attivare la radio.
2. Premi il Tasto di Banda per selezionare la modalità radio DAB.
3. Premi il Tasto di Sintonizzazione Automatica per avviare la scansione. Sul quadrante si leggerà "Scansione in corso" e la radio eseguirà una scansione delle frequenze della banda DAB III. Ad ogni nuova stazione rilevata, questa verrà aggiunta all'elenco, ed il contatore delle stazioni aumenterà. Il grafico a barre indica il progresso della scansione.

### Sintonizzazione manuale in DAB

La sintonizzazione manuale permette di selezionare una particolare frequenza nella banda DAB III. Questa funzione è anche utile per orientare l'antenna o la radio così da ottimizzare la ricezione per un canale o una frequenza specifici.

1. In modalità DAB, premi il Tasto delle Impostazioni Avanzate per accedere al relativo menu.
2. Ruota la Manopola di Sintonizzazione per selezionare "Sintonizzazione Manuale". Premi la Manopola di Sintonizzazione per accedere alla modalità di sintonizzazione manuale.
3. Ruota la Manopola di Sintonizzazione per selezionare

il canale DAB desiderato. Premi la Manopola di Sintonizzazione per confermare la frequenza prescelta.

### Funzione DCR (Dynamic Range Control) in DAB

La funzione DRC facilita l'ascolto dei suoni più tenui in ambienti rumorosi, Riducendo la gamma dinamica del segnale audio con tre livelli di compressione:

- 1 compressione massima
- 1/2 compressione media
- 0 nessuna compressione

1. In modalità DAB, premi il Tasto delle Impostazioni Avanzate per accedere al relativo menu.
2. Ruota la Manopola di Sintonizzazione fino a selezionare "DRC", quindi premila Manopola di Sintonizzazione per accedere alle impostazioni. Il quadrante mostrerà il valore DRC corrente.
3. Ruota la Manopola di Sintonizzazione fino a selezionare impostazioni DRC.
4. Premi la Manopola di Sintonizzazione per confermare le impostazioni.

### Impostazione dell'Ordine delle Stazioni in DAB

È possibile organizzare le stazioni in 3 ordini diversi, che sono alfanumerico, per ensemble e per stazione valida.

1. In modalità DAB, premi il Tasto delle Impostazioni Avanzate per accedere al relativo impostazioni.
2. Ruota la Manopola di Sintonizzazione fino a selezionare "Ordine stazioni", quindi premi la Manopola di Sintonizzazione per confermare.
3. Ruota la Manopola di Sintonizzazione fino a selezionare una tra le seguenti opzioni, e quindi premi la Manopola di Sintonizzazione per confermare.

- Alfanumerico Organizza le stazioni in ordine 0~9...A~Z..
- Per ensemble Divide le stazioni in base al multiplex DAB.
- Per stazione Mostra solo le stazioni il cui segnale può essere ricevuto

### Ricerca automatica delle stazioni in FM

#### Nota:

l'antenna FM è incorporata nell'impugnatura; quando utilizzi la radio, solleva la maniglia correttamente sopra la radio per ottenere una ricezione migliore.

1. Premi il Tasto di Alimentazione per attivare la radio.
2. Premi il Tasto di Banda per selezionare la modalità radio FM.
3. Avvia la ricerca premendo il Tasto di Sintonizzazione Automatica, e la radio si fermerà sulla prima stazione

rilevata.

4. Trascorsi alcuni secondi il quadrante si aggiornerà, mostrando la frequenza della stazione rilevata. Se il segnale è abbastanza forte e sono presenti dati RDS, la radio mostrerà il nome della stazione.
5. Premi nuovamente il Tasto di Sintonizzazione Automatica per trovare un'altra stazione.
6. Una volta raggiunta la fine della banda, la radio riprenderà la ricerca dall'estremità opposta.
7. Ruota la Manopola del Volume per regolare il livello dell'audio.  
**Nota:**  
il volume non dovrebbe essere troppo alto; per evitare possibili danni all'udito, non ascoltare a volume elevato per lunghi periodi.
8. Per spegnere la radio, premi il Tasto di Alimentazione.

### Sintonizzazione manuale in FM

1. Premi il Tasto di Alimentazione per attivare la radio.
2. Premi il Tasto di Banda per selezionare la modalità radio FM.
3. Premi la Manopola di Sintonizzazione per passare alla modalità di controllo della sintonizzazione.
4. Ruota la Manopola di Sintonizzazione per trovare la stazione desiderata.
5. Per regolare il volume, premi di nuovo la Manopola di Sintonizzazione per passare alla modalità di controllo del volume.
6. Ruota la Manopola del Volume per regolare l'audio sul livello desiderato.

### Modalità di visualizzazione in FM (RDS)

Sono disponibili varie modalità di visualizzazione per la radio FM.

L'indicatore RDS in basso sul quadrante indica la presenza di dati RDS nella trasmissione ricevuta. L'icona dell'altoparlante indica che la trasmissione ricevuta è in stereo.

Premi più volte il Tasto Info per visualizzare le informazioni RDS (Radio Data System) della stazione corrente.

- |                      |  |
|----------------------|--|
| a. Testo radio       | Visualizza messaggi di testo radio, come nuovi elementi ed altro.  |
| b. Tipo di programma | Visualizza il tipo di stazione ascoltata, come Pop, Classico, Notizie, e altro.  |
| c. Frequenza         | Visualizza la frequenza del segnale FM (in assenza di informazioni RDS disponibili, sul quadrante si leggerà "Nessun nome"). |
| d. Modalità audio    | Visualizza la modalità audio corrente.   |
| e. Data              | Visualizza la data corrente.   |

### Area di scansione in FM

In modalità FM, puoi impostare la radio per la scansione sia delle stazioni locali che di tutte le stazioni, comprese quelle più distanti.

1. In modalità FM, premi il Tasto delle Impostazioni avanzate per accedere alle impostazioni del menu.
2. Ruota la Manopola di Sintonizzazione fino a selezionare "Area di scansione". Premi la Manopola di Sintonizzazione per accedere alle impostazioni. L'impostazione corrente è indicata con un segno di spunta.
3. Ruota la Manopola di Sintonizzazione per selezionare "Locale" (solo le stazioni con segnale più potente) o "Distante" (tutte le stazioni). Scegliendo quest'ultima opzione la radio scansionerà anche i segnali più deboli.
4. Premi la Manopola di Sintonizzazione per confermare l'impostazione, che rimarrà attiva fino ad un'ulteriore modifica o all'eventuale ripristino delle impostazioni originali di fabbrica.

### Impostazioni Stereo/Mono – FM

Se stai ascoltando una stazione radio FM con segnale debole, potresti udire un sibilo. Puoi ridurre questo sibilo forzando la radio a suonare la stazione in mono piuttosto che in stereo.

1. Assicurati che la radio sia in modalità FM e sintonizzati sulla stazione FM che desideri.
2. Premi il Tasto delle Impostazioni Avanzate per accedere al relativo menu.
3. Ruota la Manopola di Sintonizzazione per selezionare "Impostazioni audio". Premi la Manopola di Sintonizzazione per accedere al relativo menu. L'impostazione corrente è indicata con un segno di spunta.
4. Ruota la Manopola di Sintonizzazione per selezionare "Mono Forzato" o "Stereo Permessso". Premi la Manopola di Sintonizzazione per confermare l'impostazione.

### Preselezione delle stazioni in DAB ed FM

Puoi salvare fino a cinque stazioni in preselezione per ciascuna banda radio, DAB e FM, procedendo alla stessa maniera in entrambi i casi.

1. Premi il Tasto di Alimentazione per accendere la radio.
2. Premi il Tasto di Banda per selezionare la gamma d'onda desiderata. Sintonizzati sulla stazione radio desiderata come descritto in precedenza.
3. Tieni premuto il tasto della preselezione desiderata finché in basso sul quadrante leggerai, ad esempio, "Preselezione 1 salvata". La stazione viene così memorizzata e abbinata al tasto di preselezione

selezionato. Ripeti questa procedura per le rimanenti posizioni nella preselezione.

- Le stazioni già presenti in memoria saranno sovrascritte seguendo la procedura sopra riportata.

## Richiamare una stazione dalla preselezione in DAB ed FM

- Premi il Tasto di Alimentazione per attivare la radio.
- Premi il Tasto di Banda per selezionare una delle modalità DAB o FM.
- Premi brevemente il tasto della preselezione desiderata per richiamarla dalla memoria.

## IMPOSTAZIONI VARIE

### Regolazione automatica dell'ora

Puoi impostare l'orologio della radio in modo che si sincronizzi con l'ora digitale dalle stazioni DAB o FM. Dopo un'interruzione di corrente, la radio imposterà l'orologio non appena sarà attivata una delle modalità DAB o FM.

- Con la radio accesa, premi il Tasto delle Impostazioni Avanzate per accedere al relativo menu.
- Ruota la Manopola di Sintonizzazione fino a selezionare "Ora/Data". Premi la Manopola di Sintonizzazione per accedere alle impostazioni.
- Ruota la Manopola di Sintonizzazione fino a selezionare "Sincronizzazione Automatica". Premi la Manopola di Sintonizzazione per accedere al menu delle opzioni.
- Ruota la Manopola di Sintonizzazione per scegliere l'opzione desiderata tra "Qualsiasi", "da DAB" o "da FM". Premi la Manopola di Sintonizzazione per confermare la scelta. L'impostazione corrente sarà segnalata con un segno di spunta.

### Formato dell'ora

- Con la radio accesa, premi il Tasto delle Impostazioni Avanzate per accedere al menu per la modalità corrente.
- Ruota la Manopola di Sintonizzazione per selezionare "Ora/Data". Premi la Manopola di Sintonizzazione per accedere alle impostazioni.
- Ruota la Manopola di Sintonizzazione per selezionare "Formato Ora 12/24". Premi la Manopola di Sintonizzazione per accedere all'impostazione del formato dell'ora. Il formato di visualizzazione dell'ora corrente è indicato con un segno di spunta.
- Ruota la Manopola di Sintonizzazione per selezionare il formato a 12 o a 24 ore. Premi la Manopola di Sintonizzazione per confermare le impostazioni. Scegliendo il formato a 12 ore, la radio visualizzerà un orologio di 12 ore con un indicatore AM o PM.

### Formato della data

- Con la radio accesa, premi il Tasto delle Impostazioni Avanzate per accedere al relativo menu.
- Ruota la Manopola di Sintonizzazione per selezionare "Ora/Data". Premi la Manopola di Sintonizzazione per accedere alle impostazioni.
- Ruota la Manopola di Sintonizzazione per selezionare "Imposta formato data". Premi la Manopola di Sintonizzazione per accedere alle impostazioni.
- Ruota la Manopola di Sintonizzazione per selezionare il formato data tra "GG-MM-AAAA" o "MM-GG-AAAA". Premi la Manopola di Sintonizzazione per confermare l'impostazione.

### Funzione "Loudness" (bassi potenziati)

Questa funzione permette di compensare la qualità dei suoni bassi quando si ascolta la radio a basso volume.

- Con la radio accesa, premi il Tasto delle Impostazioni Avanzate per accedere al relativo menu.
- Ruota la Manopola di Sintonizzazione fino a selezionare "Loudness". Premi la Manopola di Sintonizzazione per accedere alle impostazioni.
- Ruota la Manopola di Sintonizzazione fino a selezionare "On" per attivare la funzione. Per disattivare la funzione, seleziona "Off". Premi la Manopola di Sintonizzazione per confermare l'impostazione.

### Opzioni per la lingua

La radio dispone di otto lingue: inglese, tedesco, italiano, francese, olandese, danese, norvegese e polacco.

- Con la radio accesa, premi il Tasto delle Impostazioni Avanzate per accedere al relativo menu.
- Ruota la Manopola di Sintonizzazione fino a selezionare "Lingua". Premi la Manopola di Sintonizzazione per accedere alle impostazioni.
- Ruota la Manopola di Sintonizzazione fino a scegliere la lingua desiderata. Premi la Manopola di Sintonizzazione per confermare le impostazioni.

### Ripristino delle impostazioni originali

Segui questa procedura se desideri riportare le impostazioni della radio al loro stato originale.

Eseguendo un ripristino delle impostazioni originali, tutte le impostazioni inserite dall'utente verranno annullate.

- Con la radio accesa, premi il Tasto delle Impostazioni Avanzate per accedere al relativo menu.
- Ruota la Manopola di Sintonizzazione fino a selezionare "Ripristino di Fabbrica". Premi la Manopola di Sintonizzazione per accedere alle impostazioni.
- Ruota la Manopola di Sintonizzazione fino a selezionare "Sì" o "No". Se non desideri eseguire



il ripristino del sistema, seleziona “No” e premi la Manopola di Sintonizzazione per confermare. Scegliendo “Si” e premendo la Manopola di Sintonizzazione, il sistema verrà completamente resettato. Saranno cancellati l’elenco delle stazioni e la memoria della preselezione. Tutte le impostazioni saranno impostate sui loro valori predefiniti.

In caso di malfunzionamento dovuto a scariche elettrostatiche, ripristina il prodotto (potrebbe essere necessario ricollegare la fonte di alimentazione) per riprendere il normale funzionamento.

## Porta micro-USB per l’aggiornamento del software

Il software della radio viene continuamente aggiornato. Nel caso di un aggiornamento software disponibile, il software e le informazioni su come aggiornare la radio possono essere trovati sul **sito web Makita**.

1. Utilizza il cavo micro USB (non incluso) per collegare la presa USB nel vano batteria ad un PC.
2. Con la radio accesa, premi il Tasto delle Impostazioni Avanzate per accedere al relativo menu.
3. Ruota la Manopola di Sintonizzazione fino a selezionare “Aggiornamento software”. Premi la Manopola di Sintonizzazione per accedere alle impostazioni.
4. Ruota la Manopola di Sintonizzazione fino a selezionare “Si” o “No”. Se non desideri eseguire l’aggiornamento del software, seleziona “No” e premi la Manopola di Sintonizzazione per confermare. Scegliendo “Si” e premendo la Manopola di Sintonizzazione, sul quadrante leggerai “In attesa della procedura guidata dal PC”. Vai al sito Web per scaricare il software più recente. Segui le istruzioni sullo schermo del PC per completare l’aggiornamento del software.

### Nota:

Durante l’aggiornamento del software, per evitare danni all’apparecchio, tienilo collegato all’alimentatore CA senza spegnerlo fino al completamento dell’operazione e al riavvio del sistema.

## Versione del software

1. Con la radio accesa, premi il Tasto delle Impostazioni Avanzate per accedere al relativo menu.
2. Ruota la Manopola di Sintonizzazione per selezionare “Versione software”. Premi la Manopola di Sintonizzazione per visualizzare la versione del software.

## Equalizzatore

Ci sono sette tipi di indicatori LED colorati attorno alla manopola di controllo della sintonia, ciascuno relativo ad una diversa modalità EQ.

1. Premi il tasto di accensione per accendere la radio.
2. Premi il tasto di controllo EQ per accedere al menu di impostazione EQ.
3. Ruota la manopola di controllo della sintonia per selezionare la modalità desiderata. Quindi premi la manopola di controllo della sintonia per confermare la selezione.

Modalità EQ	Indicatore LED
FLAT	Bianco
JAZZ	Blu
ROCK	Rosso
CLASSIC	Marrone
POP	Rosa
NEWS	Giallo
MY EQ	Verde

## Imposta un profilo per “Il mio EQ”

1. Premi il tasto EQ per accedere alle impostazioni dell’equalizzatore.
2. Ruota la Manopola di Sintonizzazione fino a selezionare “Imposta IL MIO EQ”, quindi Premi la Manopola di Sintonizzazione per accedere relativo al menu.
3. Ruota la Manopola di Sintonizzazione fino a selezionare l’impostazione “Alti”. Premi la Manopola di Sintonizzazione per accedere alle impostazioni. Ruota la Manopola di Sintonizzazione per selezionare il livello degli suoni alti. Premi la Manopola di Sintonizzazione per confermare l’impostazione.
4. Ruota la Manopola di Sintonizzazione fino a selezionare l’impostazione “Medi”. Premi la Manopola di Sintonizzazione per accedere alle impostazioni. Ruota la Manopola di Sintonizzazione per selezionare il livello dei suoni medi. Premi la Manopola di Sintonizzazione per confermare l’impostazione.
5. Ruota la Manopola di Sintonizzazione fino a selezionare l’impostazione “Bassi”. Premi la Manopola di Sintonizzazione per accedere alle impostazioni. Ruota la Manopola di Sintonizzazione per selezionare il livello dei suoni bassi. Premi la Manopola di Sintonizzazione per confermare l’impostazione.

### Nota:

Quando si utilizza l’equalizzatore per enfatizzare i suoni bassi ad un volume elevato, il suono potrebbe risultare distorto e irregolare. In questo caso, regola il volume della radio su un livello appropriato.

## ASCOLTO DI MUSICA IN STREAMING BLUETOOTH

Per riprodurre brani musicali con la radio via Bluetooth, si dovrà prima sincronizzare il proprio dispositivo Bluetooth con la radio stessa, in modo che i due dispositivi possano riconoscersi l'un l'altro.

### Nota:

- Per una migliore qualità audio, si consiglia di regolare il volume del proprio dispositivo ad almeno due terzi del massimo, e quindi di regolare il volume della radio sul livello desiderato.
- La radio può memorizzare fino a otto dispositivi a cui sincronizzarsi. Ogni dispositivo in eccesso della memoria sarà sovrascritto sul dispositivo meno recente.

### Abbinamento iniziale del tuo dispositivo Bluetooth

1. Premi il Tasto di Alimentazione per attivare la radio. Premi il Tasto di Banda per selezionare la modalità Bluetooth. Sul quadrante apparirà "Abbinamento BT" e i tasti della preselezione (1~5) lampeggeranno in bianco per indicare che la radio è rilevabile.
2. Per collegare la radio, attiva la funzione Bluetooth sul dispositivo esterno secondo le relative istruzioni. Seleziona "DMR115" tra l'elenco dei dispositivi Bluetooth rilevati (se la versione Bluetooth del tuo cellulare è precedente alla 2.1, ti potrebbe essere richiesto di inserire la password "0000").
3. A connessione completata, udrai un suono di conferma. I pulsanti della preselezione (1~5) si accenderanno in bianco fisso. Puoi ora selezionare e riprodurre qualsiasi musica dal tuo dispositivo sorgente. Il volume può essere regolato sia dal dispositivo sorgente che direttamente dalla radio.
4. Usa i comandi sul tuo dispositivo Bluetooth esterno o sulla radio per riprodurre, mettere in pausa e navigare tra i brani.

### Nota:

- Sincronizzando per la prima volta due dispositivi Bluetooth, entrambi riporteranno la radio nell'elenco dei dispositivi rilevati. Tuttavia, collegando uno dei dispositivi, la radio sparirà dall'elenco dell'altro.
- Se un dispositivo viene temporaneamente scollegato dalla radio, si dovrà ricollegarlo manualmente.
- Nel caso l'apparecchio DMR115 appaia nell'elenco dei dispositivi Bluetooth rilevati, ma sia impossibile stabilire la connessione con esso, cancellarlo dall'elenco e ripetere la sincronizzazione seguendo le istruzioni precedenti.
- Il raggio d'azione ottimale di Bluetooth è di circa 10 metri senza ostacoli, ma può raggiungere i 30 metri.
- Nel caso la connessione Bluetooth venga interrotta

a causa dell'eccessivo tempo di separazione, della troppa distanza, della presenza di ostacoli o altro, potrebbe essere necessario ripetere la connessione.

- La qualità della connessione può dipendere dalla presenza di ostacoli fisici, dispositivi Wi-Fi e dispositivi elettromagnetici.
- Le prestazioni della connessione Bluetooth possono variare a seconda dei dispositivi connessi. Fare riferimento alle capacità Bluetooth del dispositivo esterno prima di collegarlo alla radio. Non è possibile garantire il supporto di tutte le funzioni su alcuni dispositivi Bluetooth sincronizzati.

### Riproduzione di file audio in modalità Bluetooth

Una volta completata la connessione tra la radio e il dispositivo Bluetooth esterno, sarà possibile usare i controlli di quest'ultimo per avviare l'ascolto.

1. Una volta avviato l'ascolto, regolare il volume dalla radio o del dispositivo Bluetooth esterno.
2. Usa i controlli del dispositivo Bluetooth esterno per avviare o mettere in pausa la riproduzione, o per navigare tra i brani. In alternativa, controlla la riproduzione dalla radio usando i pulsanti Riproduci/ Pausa, Brano Successivo, Brano Precedente.
3. Tieni premuto il Tasto di Avanzamento/Riavvolgimento Veloce per spostarti nella traccia corrente. Rilascia il tasto quando raggiungi il punto desiderato.

### Nota:

- Alcuni lettori o applicazioni potrebbero non rispondere interamente a tutti questi controlli.
- Alcuni cellulari potrebbero disconnettersi temporaneamente dalla radio per ricevere o effettuare una chiamata. Alcuni dispositivi potrebbero interrompere temporaneamente il loro segnale audio Bluetooth al ricevimento di messaggi di testo, email o per altre ragioni non relative al segnale audio. Ciò è dovuto a una funzione del dispositivo esterno, e non ad un'avaria della radio.

### COLLEGAMENTO BLUETOOTH CON DISPOSITIVI NOTI

Se si è già sincronizzata la radio con un dispositivo Bluetooth esterno, la sincronizzazione sarà automatica. Nel caso l'ultimo dispositivo connesso non sia disponibile, la radio apparirà nell'elenco dei dispositivi rilevati.

### Disconnetti il tuo dispositivo Bluetooth

Tieni premuto il tasto di abbinamento Bluetooth per 2~3 secondi finché "Abbinamento BT" non appaia sul quadrante, o disattiva Bluetooth sul dispositivo esterno per disattivare la connessione.

Puoi anche disattivare la connessione premendo il Tasto

di Banda per selezionare una modalità diversa da quella Bluetooth.

## Elimina un dispositivo Bluetooth dalla memoria

Per cancellare la memoria di tutti i dispositivi associati, tieni premuto il tasto di abbinamento Bluetooth per almeno sette secondi fino leggere "Eliminazione in corso" sul quadrante.

## INGRESSI AUSILIARI

L'apparecchio è dotato di una presa di ingresso ausiliaria da 3,5 mm posta nel suo lato anteriore, che consente l'ingresso di un segnale audio nell'unità da un dispositivo audio esterno, come un lettore MP3 o CD.

1. Collega una fonte audio esterna (come un lettore MP3 o CD) alla presa AUX-IN.
2. Premi il tasto di accensione per accendere la radio.
3. Premi e rilascia più volte il Tasto di Banda fino a quando viene visualizzato "AUX IN".
4. Per ottimizzare la qualità audio, si imposti il volume del dispositivo esterno sopra i 2/3 del livello massimo, per poi regolarlo direttamente dalla radio.

### Nota:

Il cavo audio non è incluso come accessorio standard.

## MANUTENZIONE

### ⚠ ATTENZIONE:

- Evitare assolutamente l'uso di benzine, diluenti, solventi, alcol o sostanze simili. In caso contrario, potrebbero verificarsi scoloriture, deformazioni e incrinature.
- Non lavare la radio con acqua.

## SPECIFICHE TECNICHE

Requisiti energetici	
Adattatore CA	CC 12V 2,5A, spinotto centrale positivo
Batteria	Batteria a inserimento: 10,8-18V
Gamma di Frequenza	FM 87.50-108MHz (passo di 0,05MHz) DAB/DAB+ 174.928-239.200 MHz
Blocco canale DAB/DAB+	DAB (Banda III) 5A-13F
Standard compatibili	DAB/DAB+

Bluetooth®	
(Il marchio Bluetooth® e il relativi logo sono proprietà registrata di Bluetooth SIG, Inc.)	
Versione Bluetooth	5.0 Certificata
Profili Bluetooth	A2DP/SCMS-T/AVRCP
Potenza trasmissione	Classe di Potenza 2
Raggio trasmissione	Ottimale: Max. 10 metri Possibile: Max. 30 metri (varia a seconda delle condizioni)
Codec Bluetooth	SBC, AAC
Potenza massima in radio frequenza	BT EDR: 1.91dBm BT LE: 0.21dBm
Frequenza operativa	2402MHz~2480MHz

Caratteristiche	
Altoparlante	2,5" 8Ω x 2 4" 6Ω x 1
Potenza in uscita	10,8-12V max.: 2W x 2 + 10W 14,4V: 3W x 2 + 15W 18V: 5W x 2 + 25W
Terminale di input	3,5mm (AUX IN)
Antenna	DAB/FM: Antenna incorporata
Dimensioni in mm (L x P x A)	268 x 164 x 295
Peso	4,8kg (senza batteria)

## NEDERLANDS (Originele gebruiksaanwijzing)

### OVERZICHT BELANGRIJKSTE ONDERDELEN (Fig. 1)

1. Handgreep/Ingebouwde antenne (DAB/FM)
2. Vergrendeling accuvak
3. Deksel accuvak (bedekt accu)
4. Luidspreker
5. DC-INGANG
6. Subwoofer
7. Power-knop
8. Band-knop
9. Geavanceerde instellingen-knop
10. Info-knop
11. LED-lampje
12. Voorkeurzender 3/Afspelen/Pauzeren-knop
13. Voorkeurzender 5-knop
14. Voorkeurzender 4/Volgende track/  
Vooruitspoelen-knop
15. Volume/Afstem/Select-knop
16. EQ-knop
17. AUX-INGANG
18. USB-voedingspoort
19. Auto tune-knop
20. LED-indicator EQ-modus
21. Voorkeurzender 2/Vorige track/Terugspoelen-  
knop
22. Voorkeurzender 1/Bluetooth-knop
23. LCD-display
24. Accuvak
25. Micro-USB-poort voor bijwerken software

### SYMBOLEN

Hieronder worden de symbolen getoond die worden gebruikt voor de apparatuur. Zorg ervoor dat u de betekenis van de symbolen begrijpt voordat u het apparaat gebruikt.



Lees de handleiding



Alleen voor EU-landen.

Gooi elektrische apparatuur of accu's niet weg met het huisvuil! Volgens Europese richtlijnen inzake afgedankte elektrische en elektronische apparaten, batterijen, accu's en wegwerpbatterijen en de toepassing daarvan binnen de nationale wetgeving, dienen gebruikte elektrische apparaten en accu's

die het einde van hun levensduur hebben bereikt, gescheiden te worden ingezameld en te worden teruggebracht naar een recyclebedrijf dat voldoet aan de geldende milieueisen.

### BELANGRIJKE VEILIGHEIDSINSTRUCTIES

#### **WAARSCHUWING:**

Bij het gebruik van elektrisch gereedschap moeten altijd elementaire veiligheidsmaatregelen worden gevolgd, om het risico op brand, elektrische schokken en persoonlijk letsel te beperken, waaronder de volgende:

1. Lees deze handleiding en de handleiding van de oplader vóór gebruik zorgvuldig door.
2. Alleen reinigen met een droge doek.
3. Niet installeren in de buurt van warmtebronnen, zoals radiatoren, kachels of andere apparaten (inclusief versterkers) die warmte produceren.
4. Gebruik alleen accessoires/hulpstukken die door de fabrikant zijn gespecificeerd.
5. Haal de stekker van het apparaat uit het stopcontact tijdens onweer of als het apparaat voor lange tijd niet wordt gebruikt.
6. Een radio op batterijen met inwendige batterijen of een losse accu mag alleen worden opgeladen met de aanbevolen batterij-/acculader. Een acculader die geschikt is voor een bepaald type accu, kan brandgevaar opleveren indien gebruikt met een ander type accu.
7. Gebruik de radio op batterijen uitsluitend met de specifiek daarvoor bedoelde accu's. Door een ander type accu's te gebruiken, kan brandgevaar ontstaan.
8. Als de accu niet wordt gebruikt, houd deze dan uit de buurt van andere metalen voorwerpen zoals: paperclips, muntjes, sleutels, spijkers, schroeven of andere kleine metalen objecten die contactpunten van de accu kunnen verbinden. Het kortsluiten van de accupolen kan leiden tot vonken, brandwonden of brand.
9. Vermijd lichamelijk contact met geaarde oppervlakken zoals leidingen, radiatoren en koelkasten. Er bestaat een verhoogd risico op elektrische schokken als uw lichaam geaard is.
10. Bij verkeerd gebruik kan vloeistof vrijkomen uit de accu; vermijd contact. Als u per ongeluk in contact komt met deze vloeistof, spoel dan met water. Als er vloeistof in contact komt met de ogen, raadpleeg dan bovendien een arts. Vloeistof die vrijkomt uit de accu kan irritatie of brandwonden veroorzaken.
11. Gebruik geen accu's of gereedschap dat beschadigd of gewijzigd is. Beschadigde of aangepaste accu's kunnen onvoorspelbaar gedrag vertonen, wat kan

- leiden tot brand, explosies of letsel.
12. Stel accu's of gereedschap niet bloot aan vuur of extreme temperaturen. Blootstelling aan vuur of temperaturen boven 130 °C(266°F) kan een explosie veroorzaken.
  13. Volg alle instructies m.b.t. het opladen op en laad de accu of het gereedschap nooit op buiten het in de handleiding aangegeven temperatuurbereik. Foutief opladen of opladen bij temperaturen buiten het toegestane temperatuurbereik kan leiden tot schade aan de accu en de kans op brand verhogen.
  14. De stekker wordt gebruikt om het apparaat los te koppelen van het lichtnet en moet altijd eenvoudig bereikbaar blijven.
  15. Gebruik het product niet gedurende een lange periode op een hoog volume. Gebruik het product op een gematigd volumeniveau.
  16. (Alleen voor producten met LCD-display) LCD-displays bevatten vloeistof die irritatie en vergiftiging kan veroorzaken. Als de vloeistof in of op de ogen, mond of huid komt, spoel dan met water en raadpleeg een arts.
  17. Stel het product niet bloot aan regen of vochtige omstandigheden. Als er water in het product komt, verhoogt dit de kans op elektrische schokken.
  18. Dit product is niet bedoeld voor gebruik door personen (inclusief kinderen) met verminderde lichamelijke, zintuiglijke of mentale vermogens of personen die geen ervaring en/of kennis hebben m.b.t. het apparaat, tenzij zij onder toezicht staan van een voor hun veiligheid verantwoordelijke persoon of instructies m.b.t. het gebruik van het apparaat hebben ontvangen. Houd toezicht op kinderen om ervoor te zorgen dat ze niet met het product spelen. Bewaar het product buiten het bereik van kinderen.
- gezichtsvermogen.
5. Sluit de accu niet kort:
    - (1) Raak de contactpunten niet aan met geleidende materialen.
    - (2) Bewaar de accu niet in een doos met andere metalen voorwerpen, zoals spijkers, muntjes, etc.
    - (3) Stel de accu niet bloot aan water of regen. Kortsluiting van de accu kan leiden tot een grote stroomafgifte, oververhitting, mogelijke brandwonden en zelfs een defect.
  6. Bewaar het gereedschap en de accu niet op plaatsen waar de temperatuur kan oplopen tot of hoger kan zijn dan 50 °C(122°F)
  7. Verbrand de accu niet, zelfs als de accu ernstig beschadigd of volledig versleten is. De accu kan exploderen in vuur.
  8. Wees voorzichtig en laat de accu niet vallen of stoot niet te hard tegen de accu.
  9. Maak geen gebruik van beschadigde accu's.
  10. Om risico's te voorkomen, moet de handleiding omtrent het vervangen van de accu worden gelezen vóór gebruik. En de maximale stroomontlading van de accu moet groter dan of gelijk aan 8A zijn.
  11. De meegeleverde lithium-ion-accu's zijn onderhevig aan de vereisten in de wetgeving omtrent gevaarlijke stoffen. Voor commercieel transport, bijv. door derden en transporteurs moeten speciale vereisten ten aanzien van verpakking en etikettering worden nageleefd.
 

Voor het voorbereiden van het te verzenden artikel is het noodzakelijk een expert op het gebied van gevaarlijke stoffen te raadplegen. U moet zich daarnaast aan eventueel strengere nationale regelgeving houden.

Blootliggende contactpunten moeten worden afgedekt met tape en de accu moet zodanig worden verpakt dat deze niet kan bewegen in de verpakking.
  12. Als u de accu wilt weggooien, verwijder deze dan uit de radio en gooi de accu op een veilige plek weg. Volg de plaatselijke voorschriften met betrekking tot het weggooien van batterijen en accu's.
  13. Gebruik de accu alleen in combinatie met de door Makita gespecificeerde producten. Als de accu wordt geïnstalleerd in een niet-conform product, kan dit leiden tot brand, extreme warmte, een explosie of het lekken van elektrolyt.
 

Als de radio gedurende een lange periode niet wordt gebruikt, moet deze uit de accu uit de radio worden verwijderd.

## BEWAAR DEZE INSTRUCTIES

### SPECIFIEKE VEILIGHEIDSVORSCHRIFTEN

#### VOOR ACCU

1. Lees, voordat u de accu gebruikt, alle instructies en waarschuwingen op de (1) acculader, de (2) accu en het (3) product dat gebruik maakt van de accu.
2. Demonteer de accu niet.
3. Als de gebruiksduur extreem veel korter is geworden, stop het gebruik dan onmiddellijk. Dit kan leiden tot een risico op oververhitting, mogelijke brandwonden en zelfs een explosie.
4. Als er elektrolyt in uw ogen komt, spoel ze dan met schoon water en raadpleeg onmiddellijk een arts. Het kan leiden tot het verlies van uw

#### LET OP:

- **Ontploffingsgevaar als de accu onjuist wordt vervangen.**

- **Alleen vervangen door accu van hetzelfde of soortgelijk type.**
- **Gebruik alleen originele accu's van Makita. Het gebruik van niet-originele accu's of accu's die zijn aangepast kan ertoe leiden dat de accu barst en brand, lichamelijk letsel of schade veroorzaakt. Het zal er bovendien toe leiden dat de garantie van Makita op het gereedschap en op oplader vervalt.**

### **Tips voor het behoud van een maximale levensduur van de accu**

1. Laad de accu op voordat deze volledig is ontladen. Stop altijd het gebruik van het gereedschap en laad de accu op als u merkt dat er minder vermogen is.
2. Laad nooit een volledig opgeladen accu op. Overladen verkort de levensduur van de accu.
3. Laad de accu op bij een kamertemperatuur van 10°C - 40°C (50°F - 104°F). Laat een warme accu afkoelen alvorens hem op te laden.
4. Laad de accu op als u deze niet gebruikt voor een lange periode (meer dan zes maanden).

# BEDRIJFSTIJD

In de onderstaande tabel vindt u een overzicht van accu's die geschikt zijn voor deze radio.

De volgende tabel geeft een indicatie van de gebruiksduur op een enkele lading.

Accucapaciteit	Accuspanning			BIJ LUIDSPREKERVERMOGEN = 100mW Eenheid: Uur (bij benadering)	
	10.8V –12Vmax	14.4V	18V	In radio of AUX	Bij Bluetooth +USB- opladen
1.3 Ah		BL1415		3.5	0.7
			BL1815	4.0	1.0
1.5 Ah	BL1015 BL1016			5.5	0.8
		BL1415N BL1415NA		4.5	0.9
			BL1815N	5.0	1.2
2.0 Ah	BL1020B BL1021B			7.0	1.0
			BL1820 BL1820B	6.5	1.6
3.0 Ah		BL1430 BL1430B BL1430A		8.0	1.6
			BL1830 BL1830B	9.0	2.3
4.0 Ah	BL1040B BL1041B			14	2.1
		BL1440		12	2.5
			BL1840 BL1840B	13	3.2
5.0Ah		BL1450		15	3.0
			BL1850 BL1850B	16	4.2
6.0 Ah		BL1460B BL1460A		16	3.3
			BL1860B	20	5.0

## WAARSCHUWING:

**Gebruik alleen de hierboven vermelde accu-cartridges. Gebruik van andere accu-cartridges kan leiden tot letsel en/of brand.**

### Opmerking:

- De tabel betreffende gebruiksduur hierboven dient ter referentie.
- De werkelijke gebruiksduur kan variëren, afhankelijk van het soort accu, de oplaadomstandigheden en de gebruiksomgeving.
- Het is mogelijk dat een aantal van de hierboven genoemde accu's en opladers niet beschikbaar zijn, afhankelijk van de regio waar u zich bevindt.

## INSTALLATIE EN VOEDING (FIG.2)

### ⚠ LET OP:

- Pas op dat uw vingers niet bekneld raken bij het openen en sluiten van het accudeksel.
- Plaats de vergrendeling van het accuvak terug in de oorspronkelijke stand na het installeren of verwijderen van de accu-cartridge. Als u dit niet doet, kan de accu-cartridge per ongeluk uit de radio vallen en letsel veroorzaken bij u of anderen in uw omgeving.
- Sluit en vergrendel het de vergrendeling van het accuvak altijd voordat u de radio verplaatst.
- Schakel de radio altijd uit alvorens de accu-cartridge te installeren of verwijderen.
- Wees voorzichtig en zorg ervoor dat u de radio niet per ongeluk laat vallen of een klap geeft. Een kapotte behuizing kan in uw vinger of lichaam snijden. Een beschadigde radio kan onvoorspelbaar gedrag vertonen en leiden tot brand, explosies en letselgevaar.

### BELANGRIJK:

- Een lager vermogen, vervorming, 'stotterend geluid' of de melding " ! Battery low" op het display zijn allemaal tekenen dat de hoofddaccu moet worden vervangen.
- De accu-cartridge kan niet worden opgeladen met de meegeleverde netadapter.
- De accu-cartridge wordt niet meegeleverd als standaardaccessoire.

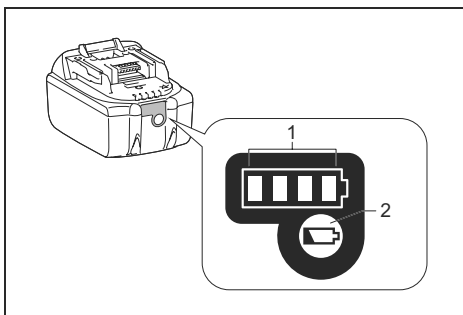
### De schuifaccu aanbrengen en verwijderen (Fig. 3 & 4)

- Om de accu aan te brengen, lijnt u de lip op de accu uit met de groef in de behuizing en duwt u de accu op zijn plaats. Steek de accu zo ver mogelijk in het gereedschap tot u een klikgeluid hoort.
- Als u het rode deel aan de bovenkant van de knop kunt zien, is de accu niet goed aangebracht. Breng de accu zo ver mogelijk aan tot het rode deel niet meer zichtbaar is. Als u dit niet doet, kan de accu per ongeluk uit de radio vallen en letsel veroorzaken bij u of anderen in uw omgeving.
- Oefen geen grote kracht uit bij het aanbrengen van de accu. Als de accu niet gemakkelijk erin kan worden geschoven, wordt deze niet goed aangebracht.
- U kunt de accu-cartridge verwijderen door deze uit de radio te schuiven terwijl u de knop aan de voorkant van de cartridge indrukt.

### Aanduiding van de resterende acculading

\* Alleen voor accu's met een "B" aan het einde van

het modelnummer.



### ➤ 1. Indicatorlampjes 2. Controleknop

Druk op de testknop op de accu om de resterende accucapaciteit af te lezen. De indicatorlampjes branden gedurende enkele seconden.

### • 14.4V/18V-accu's

Indicatorlampjes			Resterende capaciteit
Opgelicht	Uit	Knippert	
■ ■ ■ ■			75% ~ 100%
■ ■ ■ □			50% ~ 75%
■ ■ □ □			25% ~ 50%
■ □ □ □			0% ~ 25%
▣ □ □ □			Laad de accu op
■ ■ □ □	↑	↓	Er heeft mogelijk een storing opgetreden in de accu

### • 10.8V-12V max accu's

Indicatorlampjes			Resterende capaciteit
Opgelicht	Uit	Knippert	
■ ■ ■ ■			75% ~ 100%
■ ■ ■ □			50% ~ 75%
■ ■ □ □			25% ~ 50%
■ □ □ □			0% ~ 25%

### OPMERKING:

Afhankelijk van de gebruiksomstandigheden en de omgevingstemperatuur kan de indicatie enigszins



afwijken van de werkelijke capaciteit.

## De meegeleverde netadapter gebruiken

Verwijder de rubberen beschermer en plaats de stekker van de adapter in de DC-ingang op de rechterkant van de radio. Steek de adapter in een standaard stopcontact. Als de adapter wordt gebruikt, wordt de accu automatisch losgekoppeld.

### ⚠ LET OP:

- **Trek de netadapter altijd volledig uit het stopcontact alvorens de radio te verplaatsen. Als de netadapter niet uit het stopcontact wordt getrokken, kan dit leiden tot elektrische schokken.**
- **Trek nooit aan snoer van de netadapter. Als u dit toch doet, kan de radio per ongeluk omvallen en letsel veroorzaken bij u of anderen in uw omgeving.**

### BELANGRIJK:

- De netadapter wordt gebruikt om de radio te verbinden met het lichtnet. Het stopcontact dat wordt gebruikt voor de radio moet bereikbaar blijven tijdens normaal gebruik.
- Om de radio los te koppelen van het lichtnet moet de netadapter volledig uit het stopcontact worden getrokken.
- Gebruik uitsluitend de netadapter die met het product is meegeleverd of een netadapter die voldoet aan de specificaties van Makita.
- Houd het netsnoer en de stekker niet vast met uw mond. Als u dit toch doet, kan dit leiden tot een elektrische schok.
- Raak de stekker niet aan met natte of vette handen.
- Beschadigde of verstrikte snoeren verhogen de kans op elektrische schokken. Als het netsnoer is beschadigd, laat het dan vervangen door ons erkende servicecentrum om veiligheidsgevaar te vermijden. Gebruik het netsnoer niet alvorens het te laten repareren.
- Bewaar de netadapter na gebruik altijd buiten het bereik van kinderen. Als kinderen spelen met het netsnoer, kan dit leiden tot letsel.

## Opladen met de USB-voedingspoort

Er zit een USB-poort op de voorkant van de radio. Met de USB-poort kunt u een USB-apparaat opladen.

1. Sluit het USB-apparaat, zoals een MP3-speler of CD-speler, aan met behulp van een in de winkel verkrijgbare USB-kabel.
2. Druk op de Powerknop om uw radio in te schakelen.
3. De radio kan, ongeacht of deze wordt gevoed door netstroom of accustroom, een USB-apparaat opladen wanneer de radio is ingeschakeld en zich in de DAB/FM-modus, BT-modus of AUX-modus (die verschijnt

wanneer een externe audiobron wordt aangesloten) bevindt.

### Opmerking:

- Het maximumvolumeniveau van de luidspreker wordt lager wanneer uw USB-apparaat wordt opgeladen.
- De USB-poort kan een stroom van maximaal 2.4A en 5V leveren.

### Belangrijk:

- Alvorens een USB-apparaat aan te sluiten op de USB-poort, maakt u altijd eerst een reservekopie van de gegevens op het USB-apparaat. Als u dat niet doet, kunnen uw gegevens per ongeluk verloren gaan.
- Mogelijk levert de radio geen stroom aan sommige USB-apparaten.
- Als u de voedingspoort niet gebruikt en nadat het opladen klaar is, trekt u de USB-kabel eruit en sluit u de afdekking.
- Sluit geen stroombron aan op de USB-poort. Als u dat toch doet, bestaat de kans op brand. De USB-poort is alleen bedoeld voor het opladen van een laagspanningsapparaat. Plaats altijd de afdekking terug op de USB-poort wanneer geen laagspanningsapparaat wordt opgeladen.
- Steek geen spijker, draad, enz. in de USB-voedingspoort. Als u dat toch doet, kan kortsluiting leiden tot rookontwikkeling en brand.
- Sluit deze USB-poort niet aan op de USB-poort van een computer aangezien het zeer waarschijnlijk is dat hierdoor de apparaten defect raken.

## LUISTEREN NAAR DE RADIO

Deze radio heeft drie afstemmethoden - automatisch afstemmen, handmatig afstemmen en voorkeuzenders oproepen.

### Een zender selecteren – DAB

#### Opmerking:

de DAB-antenne is ingebouwd in de handgreep. Als u de radio gebruikt, strek de handgreep dan goed boven de radio uit voor een betere ontvangst.

1. Druk op de Power-knop om uw radio in te schakelen.
2. Selecteer de DAB-modus door op de Band-knop te drukken.
3. Druk op de Afstemknop om de zenderlijst te openen. Of, druk als alternatief op de Geavanceerde instellingen-knop en draai vervolgens aan de Afstemknop om "Station List" te selecteren. Druk op de Afstemknop om de zenderlijst te openen.
4. Draai aan de Afstemknop om door de lijst met beschikbare zenders te bladeren. Druk op de Afstemknop om de zender te selecteren.
5. Stel het volume naar wens in door aan de Volumeknop te draaien.

## Weergavemodi – DAB

Uw radio beschikt over een reeks weergave-opties in de DAB-modus.

Druk op de Info-knop om door de verschillende opties te bladeren.

- |                           |  |
|---------------------------|--|
| a. Dynamisch labelsegment | Aanvullende datadiensten in tekstvorm (tot 128 karakters) die naast het DAB- of DAB+radioprogramma worden getoond. Geeft scrollende tekstberichten weer, zoals artiest/tracknaam, telefoonnummer, etc. |
| b. Programmatype          | Toont het type van de huidige zender, bijvoorbeeld Pop, Klassiek, Nieuws, etc.   |
| c. Multiplex-naam         | Toont de naam van de DAB-multiplex waartoe de huidige zender behoort.  |
| d. Frequentie en kanaal   | Toont de frequentie en het kanaalnummer van de huidige DAB-zender.   |
| e. Signaalfout/sterkte    | Toont de signaalfout en -sterkte van de huidige zender. Een lager foutcijfer geeft een betere kwaliteit van het radiosignaal aan.  |
| f. Bitrate/Audiotype      | Toont de digitale audio-bitrate en het audiotype van de huidige DAB-zender.  |
| g. Datum                  | Toont de huidige datum.  |

Als een DAB-uitzending een diashow-afbeelding aanbiedt, kan deze op volledig scherm worden bekeken houd de afstemknop ingedrukt. Als de uitzending is stereo wordt ontvangen, dan wordt het stereoluidsprekersymbool weergegeven aan de onderkant van het display.

## Nieuwe zenders zoeken – DAB

Van tijd tot tijd kunnen er nieuwe DAB-zenders beschikbaar komen. Daarnaast is het mogelijk dat u bent verhuisd naar een ander deel van het land. In dit geval moet u uw radio mogelijk activeren om naar nieuwe zenders te scannen.

Om ervoor te zorgen dat de radio de beschikbare zenders kan vinden, wordt aanbevolen een volledige scan uit te voeren op alle DAB Band III-frequenties.

1. Druk op de Power-knop om uw radio in te schakelen.
2. Druk op de Band-knop om de DAB-modus te selecteren.
3. Druk op de Auto tune-knop om de scan te starten. De melding "Scanning" wordt weergegeven op het display en uw radio voert een scan uit op de DAB Band III-frequenties. Als er nieuwe zenders worden

gevonden, zal de zenderteller worden opgehoogd en worden de zenders toegevoegd aan de lijst. Het balkje geeft de voortgang van de scan aan.

## Handmatig afstemmen – DAB

U kunt handmatig afstemmen gebruiken om uw radio op een specifieke DAB-frequentie op Band III af te stemmen. Deze functie kan ook worden gebruikt om te helpen bij de plaatsing van de antenne of de radio om de ontvangst voor een specifiek kanaal of specifieke frequentie te optimaliseren.

1. Druk in de DAB-modus op de Geavanceerde instellingen-knop om het menu te openen.
2. Draai aan de Afstemknop om "Manual Tune" te selecteren. Druk op de Afstemknop om de handmatige afstemmodus te openen.
3. Draai aan de Afstemknop om het gewenste DAB-kanaal te selecteren. Druk op de Afstemknop om de gekozen frequentie te bevestigen.

## Dynamic Range Control (DRC) – DAB

De DRC-functie kan zachtere geluiden eenvoudiger hoorbaar maken wanneer uw radio wordt gebruikt in een lawaaige omgeving door het dynamisch bereik van het audiosignaal te verminderen. Er zijn drie compressieniveaus:

- |     |                                  |
|-----|----------------------------------|
| 1   | Maximale compressie toegepast.   |
| 1/2 | Gemiddelde compressie toegepast. |
| 0   | Geen compressie toegepast.       |
1. Druk in de DAB-modus op de Geavanceerde instellingen-knop om het menu te openen.
  2. Draai aan de Afstemknop om "DRC" te selecteren. Druk vervolgens op de Afstemknop om de instelling te openen. Het display toont de huidige DRC-waarde.
  3. Draai aan de Afstemknop om de gewenste DRC-instelling te selecteren.
  4. Druk op de Afstemknop om de instelling te bevestigen.

## Instellen zendervolgorde – DAB

Uw radio heeft 3 instellingen voor de zendervolgorde waaruit u kunt kiezen. De instellingen voor de zendervolgorde zijn: alphanumeric (alfanumeriek), ensemble en valid station (geldige zender).

1. Druk in de DAB-modus op de Geavanceerde instellingen-knop om het menu te openen.
2. Draai aan de Afstemknop om "Station order" te selecteren en druk vervolgens op de Afstemknop om de instelling te openen.
3. Draai aan de Afstemknop om de volgende opties te selecteren en druk op de Afstemknop om de instelling te bevestigen.

Alphanumeric	Sorteert de zenderlijst alfanumeriek 0...9 A...Z.
Ensemble	Sorteert de zenderlijst op DAB-multiplex.
Valid	Toont alleen de zenders waarvoor een signaal kan worden gevonden.

## Scannen en afstemmen – FM

### Opmerking:

de FM-antenne is ingebouwd in de handgreep. Als u de radio gebruikt, strek de handgreep dan goed boven de radio uit voor een betere ontvangst.

1. Druk op de Power-knop om uw radio in te schakelen.
  2. Druk op de Band-knop om de FM -modus te selecteren.
  3. Druk op de Auto tune-knop, de radio start het zoeken en stopt automatisch wanneer er een zender wordt gevonden.
  4. Na een paar seconden wordt het display bijgewerkt. Het display toont de frequentie van het gevonden signaal. Als het signaal sterk genoeg is en er RDS-gegevens aanwezig zijn, zal de radio de zendernaam tonen.
  5. Druk, net als eerder, op de Auto tune-knop om naar andere zenders te zoeken.
  6. Wanneer het einde van de golfband wordt bereikt, gaat uw radio verder vanaf het andere uiteinde van de golfband.
  7. Draai aan de Volumeknop om het volume naar wens in te stellen.
- Opmerking:**  
het volume mag niet te hoog worden ingesteld. Luister niet gedurende lange perioden met een hoog volume om gehoorbeschadiging te voorkomen.
8. Druk op de Power-knop om uw radio uit te schakelen.

## Handmatig afstemmen – FM

1. Druk op de Power-knop om uw radio in te schakelen.
2. Druk op de Band-knop om de FM -modus te selecteren.
3. Druk op de Afstemknop om over te schakelen naar de afstemmodus.
4. Draai aan de Afstemknop om de gewenste zender te zoeken.
5. Als u het volume wilt instellen, druk dan nogmaals op de Afstemknop om over te schakelen naar de volumemodus.
6. Draai aan de Volumeknop om het volume naar wens in te stellen.

## Weergavemodi – FM(RDS)

Uw radio beschikt over een reeks weergave-opties voor de FM-modus.

De RDS-indicator aan de onderkant van het display geeft aan of er RDS-gegevens aanwezig zijn in de uitzending die wordt ontvangen. De weergave van de stereoluidspreker geeft aan dat de radio een stereo-uitzending ontvangt.

Druk herhaaldelijk op de Info-knop om de RDS-gegevens (Radio Data System) van de huidige zender te bekijken.

- |                  |  |
|------------------|--|
| a. Radiotekst    | Toont radiotekstberichten, bijvoorbeeld nieuwsberichten, etc.  |
| b. Programmatype | Toont het type van de huidige zender, bijvoorbeeld Pop, Klassiek, Nieuws, etc.   |
| c. Frequentie    | Toon de frequentie van het FM-signaal. (Als er geen RDS-informatie beschikbaar is, wordt "No Name" weergegeven op het display. |
| d. Audiomodus    | Toont de huidige audiomodus.   |
| e. Datum         | Toont de huidige datum.  |

## FM-scanzone

Wanneer u de FM-modus gebruikt, kan uw radio worden ingesteld om alleen lokale zenders te scannen of alle zenders, inclusief zenders ver weg, te scannen.

1. Druk in de FM-modus op de Geavanceerde instellingen-knop om het menu te openen.
2. Draai aan de Afstemknop om "Scan zone" te selecteren. Druk op Afstemknop om de instelling te openen. De huidige audio-instelling wordt aangegeven met een vinkje.
3. Draai aan de Afstemknop om "Local" (alleen sterke zenders) of "Distant" (alle zenders) te selecteren. De optie "Distant" zorgt ervoor dat uw radio ook zwakkere signalen kan vinden tijdens het scannen.
4. Druk op de Afstemknop om de instelling te bevestigen. De instelling "Local" of "Distant" wordt opgeslagen in de radio en blijft van kracht tot de instelling wordt veranderd of er een systeemreset wordt uitgevoerd.

## Stereo/Mono-instelling – FM


Als de FM-zender die u beluistert een zwak signaal heeft, kan er wat ruis hoorbaar zijn. Het is mogelijk deze ruis te verminderen door de radio te forceren de zender in mono in plaats van in stereo af te spelen.

1. Zorg ervoor dat uw radio zich in de FM-modus bevindt en stem af op de gewenste FM-zender.
2. Druk op de Geavanceerde instellingen-knop om het menu te openen.
3. Draai aan de Afstemknop om "Audio Setting" te selecteren. Druk op Afstemknop om de instelling te openen. De huidige audio-instelling wordt aangegeven met een vinkje.

4. Draai aan de Afstemknop om "Forced Mono" of "Stereo Allowed" te selecteren. Druk op de Afstemknop om de instelling te bevestigen.

### Voorkeuzenders instellen in de DAB- of FM-modus

Er zijn 5 voorkeuzenders voor elk DAB- en FM-radio. Ze kunnen voor beide golfbanden op dezelfde manier worden gebruikt.

1. Druk op de Power-knop om uw radio in te schakelen.
2. Druk op de Band-knop om de gewenste golfband te selecteren. Stem zoals eerder beschreven af op de gewenste zender.
3. Houd de gewenste Voorkeuzenderknop ingedrukt tot het display de melding "Preset 1 saved" (bijvoorbeeld toont.  wordt getoond aan de onderkant van het display. De zender is nu opgeslagen onder de geselecteerde Voorkeuzenderknop. Herhaal deze procedure naar wens voor de resterende voorkeuzenders.
4. Voorkeuzenders die al zijn opgeslagen, kunnen indien gewenst worden overschreven door de bovenstaande procedure te volgen.

### Een voorkeuzender oproepen in de DAB- of FM-modus

1. Druk op de Power-knop om uw radio in te schakelen.
2. Druk op de Band-knop om de DAB- of FM-modus te selecteren.
3. Druk kort op de gewenste Voorkeuzenderknop om uw radio af te laten stemmen op een van de zenders die zijn opgeslagen in het voorkeuzendergeheugen.

## DIVERSE INSTELLINGEN

### De klok automatisch bijwerken

U kunt aangeven dat uw radio de klok instelt met behulp van DAB- of FM-uitzendingen. Na een stroomstoring stelt de radio de klok dan in wanneer u uw radio inschakelt in de DAB- of FM-modus.

1. Druk wanneer de radio is ingeschakeld op de Geavanceerde instellingen-knop om het menu voor de huidige modus te openen.
2. Draai aan de Afstemknop om "Time/Date" te selecteren. Druk op de Afstemknop om de instelling te openen.
3. Draai aan de Afstemknop om "Auto Update" te selecteren. Druk op de Afstemknop om het menu voor automatisch bijwerken te openen.
4. Draai aan de Afstemknop om een optie voor het bijwerken te kiezen. U kunt naar wens kiezen uit "from Any" (van DAB of FM), "from DAB" (van DAB) en "from FM" (van FM). Druk op de Afstemknop om uw keuze te bevestigen. De huidige instelling is gemarkeerd

met een vinkje.

### Het klokformaat instellen

1. Druk wanneer de radio is ingeschakeld op de Geavanceerde instellingen-knop om het menu voor de huidige modus te openen.
2. Draai aan de Afstemknop om "Time/Date" te selecteren. Druk op de Afstemknop om de instelling te openen.
3. Draai aan de Afstemknop om "Set 12/24 Hour" te selecteren. Druk op de Afstemknop om de instelling voor het klokformaat te openen. Het huidige klokformaat is gemarkeerd met een vinkje.
4. Draai aan de Afstemknop om 12- of 24-uursnotatie te selecteren. Druk op de Afstemknop om uw keuze te bevestigen. Als u hebt gekozen voor 12-uursnotatie, dan toont de radio een 12-uursklok met een AM- of PM-indicator.

### De datumnotatie instellen

1. Druk wanneer de radio is ingeschakeld op de Geavanceerde instellingen-knop om het menu voor de huidige modus te openen.
2. Draai aan de Afstemknop om "Time/Date" te selecteren. Druk op de Afstemknop om de instelling te openen.
3. Draai aan de Afstemknop om "Set Date Format" te selecteren. Druk op de Afstemknop om de instelling te openen.
4. Draai aan de Afstemknop om de datumnotatie "DD-MM-YYYY" of "MM-DD-YYYY" te selecteren. Druk op de Afstemknop om de instelling te bevestigen.

### Loudness

U kunt met uw radio compensatie op lagere en hogere frequenties krijgen door de loudness-functie in te stellen.

1. Druk wanneer de radio is ingeschakeld op de Geavanceerde instellingen-knop om het menu voor de huidige modus te openen.
2. Draai aan de Afstemknop om "Loudness" te selecteren. Druk op de Afstemknop om de instelling te openen.
3. Draai aan de Afstemknop om "On" te selecteren en de loudness-functie in te schakelen. Als u de loudness-functie wilt uitschakelen, selecteer dan "Off". Druk op de Afstemknop om de instelling te bevestigen.

### Taalkeuze

U kunt met deze radio kiezen uit acht verschillende talen: Engels, Duits, Italiaans, Frans, Nederlands, Deens, Noors en Pools.

1. Druk wanneer de radio is ingeschakeld op de Geavanceerde instellingen-knop om het menu voor

- de huidige modus te openen.
2. Draai aan de Afstemknop om "Language" te selecteren. Druk op de Afstemknop om de instelling te openen.
  3. Draai aan de Afstemknop om de gewenste taal te selecteren. Druk op de Afstemknop om uw keuze te bevestigen.

## Fabrieksreset

Als u uw radio volledig naar de oorspronkelijke toestand wilt resetten, dan kunt u dit doen door deze procedure te volgen. Door een fabrieksreset uit te voeren, worden alle door de gebruiker ingevoerde instellingen gewist.

1. Druk wanneer de radio is ingeschakeld op de Geavanceerde instellingen-knop om het menu voor de huidige modus te openen.
2. Draai aan de Afstemknop om "Factory Reset" te selecteren. Druk op de Afstemknop om de instelling te openen.
3. Draai aan de Afstemknop om "Yes" of "No" te selecteren. Als u geen systeemreset wilt uitvoeren, selecteer dan "No" en druk vervolgens op de Afstemknop om de instelling te bevestigen. Als u wel een systeemreset wilt uitvoeren, selecteer dan "Yes" en druk vervolgens op de Afstemknop. Er wordt een volledige reset uitgevoerd. De zenderlijst en alle voorkeuzenders worden gewist. Alle instellingen worden ingesteld op hun standaardwaarden.

Reset het product in geval van storing door elektrostatische ontlading (u moet de radio mogelijk opnieuw aansluiten op de voedingsbron) om normaal gebruik te hervatten.

## Micro-USB-poort voor bijwerken software

In de toekomst kunnen er software-updates beschikbaar komen voor uw radio.

Als er software-updates beschikbaar zijn voor uw radio, dan kunt u software en informatie over het bijwerken van de radio vinden op de **Makita-website**.

1. Gebruik een micro-USB-kabel (niet meegeleverd) om de USB-poort in het accuvak aan te sluiten op uw PC.
2. Druk wanneer de radio is ingeschakeld op de Geavanceerde instellingen-knop om het menu voor de huidige modus te openen.
3. Draai aan de Afstemknop om "Software Update" te selecteren. Druk op de Afstemknop om de instelling te openen.
4. Draai aan de Afstemknop om "Yes" of "No" te selecteren. Als u de software niet wilt bijwerken, selecteer dan "No" en druk op de Afstemknop om de instelling te bevestigen. Als u de software wel wilt bijwerken, selecteer dan "Yes" en druk vervolgens op

de Afstemknop. De melding "Waiting for PC wizard" wordt getoond op het display. Ga naar de website om de nieuwste software te downloaden. Volg de instructies van de software voor het bijwerken op het beeldscherm van uw PC om het bijwerken van de software te voltooien.

### Opmerking:

Sluit uw radio aan op het lichtnet wanneer u de software van de radio bijwerkt. Schakel de radio niet uit totdat het bijwerken volledig is voltooid en de radio opnieuw is opgestart. Als u dit niet doet, kan de radio permanent beschadigd raken.

## Softwareversie

1. Druk wanneer de radio is ingeschakeld op de Geavanceerde instellingen-knop om het menu voor de huidige modus te openen.
2. Draai aan de Afstemknop om "Time/Date" te selecteren. Druk op de Afstemknop om de softwareversie weer te geven.

## Equalizerfunctie

Er zitten 7 led-indicatielampjes met verschillende kleuren rond de Afstemknop om de verschillende EQ-modi aan te geven.

1. Druk op de Powerknop om uw radio in te schakelen.
2. Druk op de EQ-knop om het EQ-instellingenmenu te openen.
3. Draai aan de Afstemknop om de gewenste modus te selecteren. Druk vervolgens op de Afstemknop om uw keuze te bevestigen.

EQ-modus	LED-indicatielampje
PLAT	Wit
JAZZ	Blauw
ROCK	Rood
KLASSIEK	Bruin
POP	Roze
NIEUWS	Geel
PERSOONLIJKE EQ	Groen

## Persoonlijk EQ-profiel instellen

1. Druk op de EQ-knop om het menu met EQ-instellingen te openen.
2. Draai aan de Afstemknop om "MY EQ Setup" te selecteren. Druk vervolgens op de Afstemknop om het instellingenmenu te openen.
3. Draai aan de Afstemknop om "Treble" te selecteren. Druk op de Afstemknop om de instelling te openen. Draai aan de Afstemknop om het gewenste niveau van de hoge tonen (treble) te selecteren. Druk op de Afstemknop om de instelling te bevestigen.
4. Draai aan de Afstemknop om "Middle" te selecteren.

Druk op de Afstemknop om de instelling te openen. Draai aan de Afstemknop om het gewenste niveau van de middentonen te selecteren. Druk op de Afstemknop om de instelling te bevestigen.

5. Draai aan de Afstemknop om "Bass" te selecteren. Druk op de Afstemknop om de instelling te openen. Draai aan de Afstemknop om het gewenste niveau van de lage tonen (bass) te selecteren. Druk op de Afstemknop om de instelling te bevestigen.

#### **Opmerking:**

Wanneer de equalizer wordt gebruikt om de hoge tonen (bass) te benadrukken en u luistert met een hoog volume, kan dit leiden tot een krakende en vervormde geluidswaergave. Stel het volume van de radio in dit geval op een geschikt niveau in.

## **LUISTEREN NAAR MUZIEK VIA BLUETOOTH-STREAMING**

U moet uw Bluetooth-apparaat koppelen met de radio voordat u automatisch verbinding kunt maken en Bluetooth-muziek kunt afspelen/streamen via de radio. Koppelen creëert een "band", zodat twee apparaten elkaar kunnen herkennen.

#### **Opmerking:**

- Voor een betere geluidskwaliteit raden we aan het volume op uw Bluetooth-apparaat op minimaal tweederde van het maximale niveau in te stellen en daarna de volumeregeling van de radio te gebruiken om het volume naar wens in te stellen.
- Uw radio kan tot acht verschillende gekoppelde apparaten onthouden. Wanneer daarna een nieuw apparaat gekoppeld zal worden zal de oudst bekende koppeling overschreven worden.

### **Uw Bluetooth-apparaat voor het eerst koppelen**

1. Druk op de Power-knop om de radio in te schakelen. Druk op de Band-knop om de Bluetooth-modus te selecteren. De melding "BT Pair" verschijnt op het display en de Voorkeuzenderknoppen (1-5) knipperen wit om aan te geven dat de radio kan worden gedetecteerd.
2. Schakel Bluetooth in op uw Bluetooth-apparaat (volgens de gebruiksaanwijzing van dat apparaat) om te koppelen met de radio. Ga naar de Bluetooth-apparaatlijst en selecteer het apparaat met de naam "DMR115" (bij sommige mobiele telefoons die gebruik maken van BT2.1 of eerdere versies, moet u het wachtwoord "0000" invoeren).
3. Zodra het apparaat is verbonden met de radio, hoort u een bevestigingstoon. De Voorkeuzenderknoppen (1-5) blijven nu wit branden. U kunt nu gewoon vanaf

uw bronapparaat muziek selecteren en afspelen. Het volume kan worden ingesteld vanaf uw bronapparaat of rechtstreeks op de radio.

4. Gebruik de bedieningselementen op uw Bluetooth-apparaat of op de radio om het afspelen te starten/pauzeren en om de gewenste track te selecteren.

#### **Opmerking:**

- Als er voor de eerste keer wordt gekoppeld en er 2 Bluetooth-apparaten naar uw radio zoeken, dan wordt de radio op beide apparaten als beschikbaar getoond. Als er echter één apparaat verbinding maakt met de radio, zal het andere Bluetooth-apparaat de radio niet meer vinden in de lijst.
- Als uw Bluetooth-apparaat tijdelijk de verbinding met de radio verliest, dan moet u handmatig de verbinding tussen uw apparaat en de radio
- Als "DMR115" wordt getoond in uw Bluetooth-apparaatlijst, maar uw Bluetooth-apparaat geen verbinding kan maken met de radio, verwijder het item dan uit uw lijst en koppel nogmaals met de radio door de hierboven beschreven stappen te volgen.
- Het optimale Bluetooth-streambereik is ongeveer 10 meter (30 voet) (zichtlijn) naar de radio, maar afstanden tot 30 meter (100 voet) zijn mogelijk.
- Het is mogelijk dat u opnieuw verbinding moet maken indien de Bluetooth-verbinding wordt verbroken door het overschrijden van de scheidingstijd, het overschrijden van de optimale afstand, obstakels of vanwege andere redenen.
- Fysieke obstakels, andere draadloze apparaten of elektromagnetische apparaten kunnen de verbindingkwaliteit beïnvloeden.
- Bluetooth® verbindingen prestaties kunnen variëren afhankelijk van de verbonden apparaten. Raadpleeg de Bluetooth® mogelijkheden van uw apparaat voordat u deze aansluit op uw radio. Voor sommige verbonden Bluetooth® apparaten kan het zijn dat niet alle functies ondersteund worden.

### **Het afspelen van geluidsbestanden in de Bluetooth® modus**

Indien de verbinding tussen de radio en uw Bluetooth® apparaat succesvol tot stand gebracht is, kunt u de muziek van uw apparaat afspelen door middel van de bedieningstoetsen op uw verbonden apparaat.

1. Stel het volume, zodra het afspelen is gestart, naar wens in met behulp van de volumeknoppen op uw radio of op uw Bluetooth-apparaat.
2. Gebruik de bedieningselementen op uw Bluetooth-bronapparaat voor het afspelen/pauzeren van tracks en naar de volgende/vorige track te gaan. Als alternatief kunt u het afspelen ook bedienen met behulp van de knoppen Afspelen/Pauzeren, Volgende track, Vorige track op uw radio.

3. Houd de Vooruitspoelen- of Terugspoelen-knop ingedrukt om vooruit te spoelen of terug te spoelen in de huidige track. Laat de knop los wanneer het gewenste punt is bereikt.

**Opmerking:**

- Sommige afspeelapplicaties of apparaten reageren mogelijk niet op al deze bedieningselementen.
- Sommige mobiele telefoons kunnen de verbinding met de radio verbreken wanneer er oproepen worden gemaakt of ontvangen. Sommige apparaten kunnen het geluid van de Bluetooth-audiostream tijdelijk uitschakelen wanneer er sms'jes of emails worden ontvangen of omwille van andere redenen die niets met het streamen van audio te maken hebben. Dergelijk gedrag is een functie van het Bluetooth-apparaat en duidt niet op een fout met uw radio.

### Afspelen met een eerder gekoppeld Bluetooth-apparaat

Als uw Bluetooth® apparaat al eerder gekoppeld was met de radio, dan zal de radio dit herkennen, en gewoon verbinden met dit apparaat. Als deze verbinding niet zal slagen, zal de radio in detectie modus schakelen.

### De verbinding met uw Bluetooth-apparaat verbreken

Houd de Bluetooth-knop 2-3 seconden ingedrukt tot "BT Pair" wordt getoond op het display of schakel Bluetooth uit op uw Bluetooth-apparaat om de verbinding te verbreken.

U kunt om de verbinding te verbreken ook op de Band-knop drukken om een andere modus dan de Bluetooth-modus te selecteren.

### Het geheugen met gekoppelde Bluetooth-apparaten wissen

Houd de Bluetooth-knop langer dan 7 seconden ingedrukt totdat "Clearing" wordt getoond op het display om het geheugen met alle gekoppelde Bluetooth-apparaten te wissen.

## AUX-INGANG

Aan de voorkant van uw radio zit een 3,5 mm aux-ingang waarmee de radio een audiosignaal van een extern audioapparaat kan ontvangen (bijv. een mp3- of cd-speler).

1. Sluit een externe audiobron (bijvoorbeeld mp3- of cd-speler) aan op de AUX-INGANG.
2. Druk op de Powerknop om uw radio in te schakelen.
3. Druk herhaaldelijk op de Band-knop totdat "AUX IN" wordt weergegeven.
4. Voor de beste geluidskwaliteit wordt aanbevolen het volume op uw audioapparaat te verhogen tot meer dan tweederde van het maximale niveau en daarna

het volume op de radio naar wens in te stellen.

**OPMERKING:**

Audiokabel wordt niet meegeleverd als standaardaccessoire.

## ONDERHOUD

**⚠ LET OP:**

- Gebruik nooit benzine, wasbenzine, thinner, alcohol, enz. Dit kan leiden tot verkleuren, vervormen of barsten.
- Was de radio niet met water.

## SPECIFICATIES

Stroomvereisten	
Netadapter	DC 12V 2,5A, middelste pin positief
Accu	Schuifaccu: 10,8V - 18V
Frequentiebereik	FM87.50-108MHz (0.05MHz/stap) DAB/DAB+ 174.928-239.200 MHz
DAB/DAB+ Kanaalblok	DAB (Band III) 5A-13F
Compatibele standaard	DAB/DAB+

Bluetooth® (Het Bluetooth®-woordmerk en -logo's zijn gedeponeerde handelsmerken in eigendom van Bluetooth SIG, Inc.)	
Bluetooth-versie	5.0 gecertificeerd
Bluetooth-profielen	A2DP/SCMS-T/AVRCP
Zendvermogen	Vermogensklasse 2
Zendbereik	Optimaal: Max. 10 meter (33 voet) Mogelijk: Max. 30 meter (100 voet) (varieert afhankelijk van gebruiksomstandigheden)
Bluetooth-codec	SBC, AAC
Maximaal radiofrequentievermogen	BT EDR: 1.91dBm BT LE: 0.21dBm
Bedrijfsfrequentie	2402MHz~2480MHz

Circuit-kenmerk	
Luidspreker	2,5 inch 8 ohm x 2 4 inch 6 ohm x 1
Uitgangsvermogen	10,8V-12Vmax: 2W x 2 + 10W 14,4V: 3W x 2 + 15W 18V: 5W x 2 + 25W
Ingangsaansluiting	3,5 mm dia. (AUX-INGANG)
Antennesysteem	DAB/FM: ingebouwde antenne
Afmetingen (L x B x H)	268 x 164 x 295 mm
Gewicht	4,8 KG (zonder accu)



# ESPAÑOL

## (Instrucciones originales)

### EXPLICACIÓN DE LA VISTA GENERAL (Fig. 1)

1. Asa/Antena integrada (DAB/FM)
2. Compartimiento de las baterías
3. Cubierta del compartimiento de las baterías (que cubre la batería)
4. Altavoz
5. Toma de entrada de CC
6. Subwoofer
7. Botón de encendido
8. Botón de banda
9. Botón de configuración avanzada
10. Botón de información
11. Luz LED
12. Botón de presintonía 3/reproducir/pausar
13. Botón de presintonía 5
14. Botón de presintonía 4/siguiente pista/avance rápido
15. Control de volumen/sintonización/selección
16. Botón de control del ecualizador
17. Toma de entrada auxiliar
18. Puerto de alimentación USB
19. Botón de sintonización automática
20. Indicador LED del modo del ecualizador
21. Botón de presintonía 2/pista anterior/rebobinado
22. Botón de presintonía 1/vinculación Bluetooth
23. Pantalla LCD
24. Compartimiento de la batería
25. Puerto microUSB para actualización del software

### SÍMBOLOS

Lo siguiente muestra los símbolos usados por el equipo. Asegúrese de que entiende su significado, antes de usar el equipo.



Lea el manual de instrucciones.



Solo para países de la UE.

No se deshaga del equipo eléctrico o del paquete de baterías junto con la basura doméstica. De acuerdo con las directivas europeas sobre Residuos de Aparatos y Baterías y Acumuladores Eléctricos y Electrónicos y sobre Residuos de Baterías y Acumuladores y su aplicación conforme las legislaciones

nacionales, las baterías y los paquetes de baterías que lleguen al final de su vida útil deben ser recolectados por separado y devueltos a una instalación de reciclaje compatible con el medio ambiente.

### INSTRUCCIONES IMPORTANTES DE SEGURIDAD

#### **ADVERTENCIA:**

Cuando utilice herramientas eléctricas, para reducir el riesgo de incendio, descarga eléctrica y lesiones personales, siga siempre las precauciones básicas de seguridad, incluyendo lo siguiente:

1. Lea el manual de instrucciones y el manual de instrucciones del cargador detenidamente antes de usarlos.
2. Limpie el equipo solo con un paño seco.
3. No instale cerca de fuentes de calor, como radiadores, estufas, fuegos de cocina u otros aparatos (incluyendo amplificadores) que produzcan calor.
4. Utilice únicamente accesorios especificados por el fabricante.
5. Desenchufe este aparato durante las tormentas o cuando no vaya a usarlo por un periodo prolongado.
6. Una radio a batería con baterías integrales o un paquete de baterías independiente se debe recargar solamente con el cargador especificado para la batería. Un cargador que puede ser adecuado para un tipo de batería puede crear un riesgo de incendio cuando se usa con otra batería.
7. Utilice la radio a batería únicamente con los paquetes de batería designados específicamente. El uso de cualquier otra batería puede crear un riesgo de incendio.
8. Cuando la batería no esté en uso, manténgala alejada de otros objetos metálicos como: clips, monedas, llaves, clavos, tornillos u otros objetos metálicos pequeños que pudieran crear conexiones de un terminal a otro. El contacto entre sí de los terminales de las baterías puede provocar chispas, quemaduras o fuego.
9. Evite contacto corporal con superficies conectadas a tierra como tuberías, radiadores, estufas y refrigeradores. Hay un incremento del riesgo de descarga eléctrica si su cuerpo está conectado a tierra.
10. En condiciones abusivas, puede que de la batería se expulse líquido, evite el contacto. Si de forma accidental entra en contacto con el líquido, enjuague con agua. Si el líquido entrase en contacto con los

- ojos, busque ayuda médica. El líquido expulsado de la batería puede causar irritación o quemaduras.
11. No use una batería o una herramienta dañada o modificada. Las baterías dañadas o modificadas puede presentar un comportamiento impredecible causando incendios, explosiones y riesgos de lesiones.
  12. No exponga la batería o herramienta al fuego o a temperaturas excesivas. La exposición al fuego o a temperaturas mayores que 130 °C(266°F) podrían causar una explosión.
  13. Siga todas las instrucciones de carga y no cargue la batería o la herramienta fuera del rango de temperatura especificado en las instrucciones. Cargar incorrectamente o a temperaturas fuera del rango especificado podrían dañar la batería e incrementar el riesgo de fuego.
  14. El enchufe principal de la red eléctrica se utiliza como dispositivo de desconexión, y debe estar siempre disponible.
  15. No use este producto a volumen alto durante un período prolongado. Para evitar daños auditivos, use este producto a un nivel de volumen moderado.
  16. (Solo para productos con pantalla LCD) Las pantallas LCD incluyen líquidos que pueden causar irritación y envenenamiento. Si el líquido entrase en contacto con los ojos, boca o piel, enjuague con agua y llame a un médico.
  17. No exponga el producto a condiciones de lluvia o humedad. El agua que entre al producto incrementará el riesgo de descarga eléctrica.
  18. Este aparato no es apto para su uso por personas (niños incluidos) con las capacidades físicas, sensoriales o mentales disminuidas, o por personas que carezcan de experiencia y conocimiento, a no ser que alguien que sea responsable de su seguridad, les esté supervisando o les explique cómo deben usar el aparato. Los niños deben ser supervisados para asegurarse de que no jueguen con el producto. Guarde el producto lejos del alcance de los niños.
2. No desmonte el cartucho de batería.
  3. Si el tiempo de funcionamiento se ha vuelto excesivamente corto, pare inmediatamente. Puede haber riesgo de sobrecalentamiento, posibles quemaduras o incluso una explosión.
  4. Si el electrolito entra en contacto con los ojos, lávelos con agua limpia y busque atención médica de inmediato. Podría dar como resultado la pérdida de visión.
  5. No haga un cortocircuito con el cartucho de batería.
    - (1) No toque los terminales con un material conductor.
    - (2) Evite almacenar el cartucho de batería en recipientes con otros objetos metálicos como clavos, monedas, etc.
    - (3) No exponga la batería al agua o lluvia. Un cortocircuito en la batería puede producir un gran flujo, sobrecalentamiento, posibles quemaduras e incluso una avería.
  6. No guarde la herramienta ni el cartucho de batería en lugares donde la temperatura pueda llegar a o superar los 50 °C (122 °F).
  7. No incinere el cartucho de batería incluso si está muy dañado o completamente desgastado. El cartucho de batería podría explotar en el fuego.
  8. Tenga cuidado de no dejar caer o golpear la batería.
  9. No use una batería dañada.
  10. Para evitar riesgos, lea antes de su uso el manual de la batería reemplazable. Y la corriente máxima de descarga de la batería debe ser igual o mayor a 8 A.
  11. Las baterías de iones de litio están sujetas a los requisitos de la Legislación de mercancías peligrosas. Para su transporte comercial, como por ejemplo por terceros o transportistas, deben respetarse los requisitos especiales del embalaje y etiquetado.

Para la preparación del artículo para su envío, se requiere consultar a un experto en materiales peligrosos. Acate también las, posiblemente más detalladas, regulaciones nacionales. Cubra los contactos abiertos y empaquete la batería de tal manera que no se pueda mover en el embalaje.

12. Al deshacerse de la batería, retírela de la herramienta y deséchela en un lugar seguro. Siga las normas locales relativas a la eliminación de baterías.
13. Use las baterías solo con los productos especificados por Makita. La instalación de las baterías con productos no conformes podría resultar en un incendio, calor excesivo, explosión o fuga de electrolitos.  
Si la herramienta no va a usarse durante un periodo

## GUARDE ESTAS INSTRUCCIONES

### REGLAS ESPECÍFICAS DE SEGURIDAD

#### PARA EL CARTUCHO DE BATERÍA

1. Antes de utilizar el cartucho de batería, lea todas las instrucciones y advertencias en (1) el cargador de la batería, (2) la baterías, (3) el producto que usa la batería.

largo de tiempo, la batería debe retirarse de la herramienta.

**⚠ PRECAUCIÓN:**

- **Peligro de explosión si la batería se coloca incorrectamente.**
- **Reemplace solo con una del mismo tipo o uno equivalente.**
- **Use solo baterías originales Makita. El uso de baterías Makita no originales o de baterías que hayan sido alteradas podría provocar la explosión de la batería causando incendios, lesiones personales y daños. También anulará la garantía de Makita para la herramienta de Makita y el cargador.**

## **Consejos para mantener al máximo la vida útil de la batería**

1. Cargue el cartucho de batería antes de que se descargue completamente. Deje de usar la herramienta y cargue la batería cuando note que la batería tiene menos potencia.
2. Nunca cargue un cartucho de batería que esté totalmente cargado. La sobrecarga reduce la vida útil de la batería.
3. Cargue el cartucho de batería con una temperatura ambiente de entre 10 y 40 grados centígrados (50 °F-104 °F). Antes de cargarla, deje que una batería que esté caliente se enfríe.
4. Cargue el cartucho de batería si no lo usa durante un largo periodo de tiempo (más de seis meses).

## TIEMPO DE FUNCIONAMIENTO

Las baterías adecuadas para esta radio se enumeran en la siguiente tabla.

La siguiente tabla indica el tiempo de uso con una sola carga.

Capacidad de la batería	Tensión del cartucho de batería			CON LA SALIDA DEL ALTAVOZ = 100 mW Unidad: hora (aproximadamente)	
	10.8V –12Vmáx	14.4V	18V	En radio o AUX	En Bluetooth + carga USB
1.3 Ah		BL1415		3.5	0.7
			BL1815	4.0	1.0
1.5 Ah	BL1015 BL1016			5.5	0.8
		BL1415N BL1415NA		4.5	0.9
			BL1815N	5.0	1.2
2.0 Ah	BL1020B BL1021B			7.0	1.0
			BL1820 BL1820B	6.5	1.6
3.0 Ah		BL1430 BL1430B BL1430A		8.0	1.6
			BL1830 BL1830B	9.0	2.3
4.0 Ah	BL1040B BL1041B			14	2.1
		BL1440		12	2.5
			BL1840 BL1840B	13	3.2
5.0Ah		BL1450		15	3.0
			BL1850 BL1850B	16	4.2
6.0 Ah		BL1460B BL1460A		16	3.3
			BL1860B	20	5.0

### **ADVERTENCIA:**

Solo use las baterías indicadas anteriormente. El uso de cualquier otra batería podría causar lesiones o fuego.

### **Nota:**

- La tabla sobre el tiempo de funcionamiento de la batería es para referencia.
- El tiempo de funcionamiento real puede diferir según el tipo de batería, condiciones de carga o entorno de uso.
- Algunas de las baterías y cargadores mencionados anteriormente puede que no estén disponibles dependiendo de su lugar de residencia.

# INSTALACIÓN Y ALIMENTACIÓN (FIG.2)

## ⚠ PRECAUCIÓN:

- Tenga cuidado de no pellizcarse los dedos al abrir y cerrar la tapa de la batería.
- Tras instalar o retirar la batería, devuelva el compartimento de la batería a su posición inicial. De lo contrario la batería podría caerse accidentalmente de la radio y causar lesiones a usted o a gente a su alrededor.
- Antes de mover la radio cierre y boquee siempre el compartimento de la batería.
- Antes de instalar o retirar la batería, apague siempre la radio.
- Tenga cuidado de no dejar caer o golpear la radio. Una carcasa rota podría cortar los dedos o clavarse en su cuerpo. Una radio dañada puede tener un comportamiento impredecible que podría resultar en fuego, explosiones o riesgo de lesiones.

## IMPORTANTE:

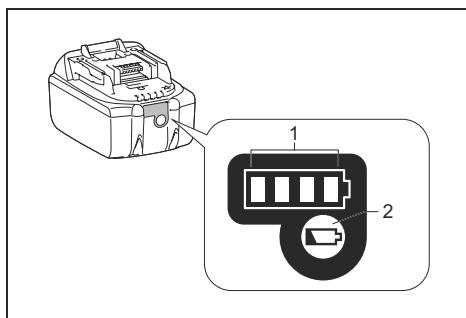
- Potencia reducida, distorsión, sonido con "tartamudez" o que aparezca " ! Battery Low" (batería baja) en pantalla, son señales de que la batería principal necesita ser reemplazada.
- La batería no puede cargarse mediante el adaptador de alimentación de CA suministrado.
- La batería no se incluye como accesorio estándar.

## Instalación o extracción del cartucho de la batería deslizante (Fig. 3 y 4)

- Para instalar el cartucho de la batería, alinee la lengüeta situada en el cartucho de la batería con la ranura del chasis e insértelo. Insértelo completamente hasta que quede firmemente encajado con un clic.
- Si puede ver el indicador rojo de la zona superior del botón, significa que el cartucho no está encajado completamente. Instálelo completamente hasta que el indicador rojo no esté visible. De lo contrario, el cartucho puede desprenderse accidentalmente de la radio y causar lesiones al operario o a alguna persona que se encuentre cerca.
- No haga fuerza al insertar el cartucho de la batería. Si el cartucho no entra con suavidad, significa que no lo está instalando correctamente.
- Para retirar la batería, deslicela de la radio mientras desliza el botón en la parte frontal de la radio.

## Indicación de la capacidad restante de la batería

\* Solo para cartuchos de la batería con "B" al final del número de modelo.



### ➤ 1. Luces indicadoras 2. Botón de comprobación

Premere il tasto di controllo sulla batteria per visualizzarne il livello residuo accendendo per qualche secondo gli indicatori.

### • Baterías 14,4 V/18 V

Luces indicadoras			Capacidad restante
Iluminado	Apagado	Parpadeando	
■ ■ ■ ■			75% ~ 100%
■ ■ ■ □			50% ~ 75%
■ ■ □ □			25% ~ 50%
■ □ □ □			0% ~ 25%
▣ □ □ □			Cargue la batería
■ ■ □ □	↑	↓	La batería puede haber funcionado mal

### • Baterías 10,8 V-12 V máx.

Luces indicadoras			Capacidad restante
Iluminado	Apagado	Parpadeando	
■ ■ ■ ■			75% ~ 100%
■ ■ ■ □			50% ~ 75%
■ ■ □ □			25% ~ 50%
■ □ □ □			0% ~ 25%

### NOTA:

Dependiendo de las condiciones de uso y de la temperatura ambiente, la indicación puede diferir ligeramente de la capacidad real.

## USO DEL ADAPTADOR DE ALIMENTACIÓN DE CA SUMINISTRADO

Retire el protector de goma e inserte el enchufe del adaptador en la toma de CC en la parte derecha de la radio. Enchufe el adaptador a una toma de la red eléctrica estándar. Cuando se usa el adaptador, la batería se desconecta automáticamente.

### ⚠ **PRECAUCIÓN:**

- **Desconecte siempre completamente el adaptador de alimentación de CA antes de mover la radio. Si no se retira el adaptador de CA, podría causar una descarga eléctrica.**
- **Nunca tire o arrastre el cable del adaptador. De lo contrario, la radio podría caerse de forma accidental causándole lesiones a usted o a gente a su alrededor.**

### **IMPORTANTE:**

- El adaptador de la red eléctrica se usa como medio para conectar la radio al suministro de la red eléctrica. La toma de corriente usada por la radio debe permanecer accesible durante el uso normal.
- Para desconectar la radio, el adaptador de la red eléctrica debe retirarse por completo de la toma de corriente.
- Use solo el adaptador de alimentación de CA suministrado con el producto o especificado por Makita.
- No sujete el cable de alimentación y enchufe con la boca. Hacerlo podría causar una descarga eléctrica.
- No toque el enchufe de corriente con las manos mojadas o grasosas.
- Unos cables dañados o enredados incrementan el riesgo de descarga eléctrica. Si el cable está dañado, haga que su centro de servicio autorizado lo reemplace para evitar riesgos para la seguridad. No lo use antes de la reparación.
- Tras el uso, guarde siempre el adaptador de alimentación de CA fuera del alcance de los niños. Si los niños jugasen con el cable, podrían sufrir lesiones.

## Carga mediante el puerto de suministro de alimentación USB

Existe un puerto USB en la parte frontal de la radio. Puede cargar el dispositivo USB mediante el puerto USB.

1. Conecte el dispositivo USB, por ejemplo un MP3 o reproductor de CD, con un cable USB disponible en el mercado.
2. Presione el botón de encendido para encender la radio.
3. No importa si la radio está funcionando con alimentación de CA o con baterías, la radio puede

cargar el dispositivo USB cuando esté encendida y en modo de radio DAB/FM, modo BT o modo auxiliar, que se da cuando se conecta una fuente de audio externa.

### **Nota:**

- Durante la carga USB, el volumen máximo del altavoz de salida se reducirá.
- La ranura USB puede suministrar una corriente eléctrica máxima de 2.4A5V.

### **Importante:**

- Antes de conectar el dispositivo USB al puerto USB, realice siempre una copia de seguridad de los datos del dispositivo USB. De lo contrario, puede que los datos del dispositivo se pierdan.
- Puede que la radio no suministre alimentación a algunos dispositivos USB.
- Cuando no lo utilice, o bien después de una carga, retire el cable USB y cierre la cubierta.
- No conecte una fuente de alimentación al puerto USB. Existe riesgo de que se produzca un incendio. El puerto USB está diseñado únicamente para cargar dispositivos de bajo voltaje. Cuando no cargue un dispositivo de bajo voltaje, coloque siempre la cubierta en el puerto USB.
- No inserte un clavo, un cable, etc. en el interior del puerto de suministro de alimentación USB. Existe el riesgo de que se produzca un cortocircuito que provoque humo o incluso un incendio.
- No conecte esta ranura USB con el puerto USB de un ordenador, ya que es muy posible que las dos unidades se averíen.

## ESCUCHAR LA RADIO

Esta radio dispone de tres sistemas de sintonización: escaneado, manual y recuperación de presintonías en memoria.

### Seleccionar una emisora – DAB

#### **Nota:**

La antena DAB está integrada en el asa. Al usar la radio enderece adecuadamente el asa por encima de la radio para obtener una mejor recepción.

1. Presione el botón de encendido para encender la radio.
2. Seleccione el modo DAB presionando el botón de banda.
3. Presione el control de sintonización para entrar a la lista de emisoras. También puede presionar el botón de configuración avanzada y girar el control de sintonización para seleccionar "Station List" (lista de emisoras). Presione el control de sintonización para entrar a la lista de emisoras.
4. Gire el control de sintonización para recorrer la lista de emisoras disponibles. Presione el control de

- sintonización para seleccionar la emisora.
5. Gire el control de volumen para ajustar el volumen según desee.

## Modos de visualización – DAB

La radio dispone de diferentes opciones de visualización para el modo DAB.

Presione el botón de información para recorrer las diferentes opciones.

- |                                    |  |
|------------------------------------|--|
| a. Segmento de etiqueta dinámica   | Servicios de datos suplementarios en forma de texto (hasta 128 caracteres) que se ejecutan junto con el programa de radio DAB o DAB+. Muestra mensajes de texto en movimiento como el nombre del artista o de la pista, número de teléfono, etc. |
| b. Tipo de programa                | Muestra el tipo de emisora que está escuchando, como pop, clásica, noticias, etc.  |
| c. Nombre del multiplex            | Muestra el nombre del multiplex DAB al que pertenece la emisora actual.  |
| d. Frecuencia y canal              | Muestra la frecuencia y el número del canal de la emisora DAB sintonizada actualmente.   |
| e. Error/ Intensidad de señal      | Muestra el error y la intensidad de la señal de la emisora que está escuchando. Un número bajo de error indica una mejor calidad de la señal de radio.   |
| f. Velocidad de bits/tipo de audio | Muestra la velocidad de bits del audio digital y el tipo de audio de la emisora DAB sintonizada actualmente.   |
| g. Fecha                           | Muestra la fecha actual.   |

Si una transmisión DAB proporciona una imagen de presentación, esta puede verse a pantalla completa manteniendo pulsado el control de sintonización. Si la transmisión que se está recibiendo está en estéreo, el símbolo del altavoz estéreo aparecerá en la parte inferior de la pantalla.

## Búsqueda de nuevas emisoras – DAB

De vez en cuando, habrá nuevas emisoras de radio DAB disponibles. O puede que usted se haya desplazado a otra parte del país. De ser así, puede que necesite que su radio busque emisoras nuevas. Para que la radio pueda encontrar las emisoras disponibles, se recomienda que realice un escaneo completo de todas las frecuencias DAB de la banda III.

1. Presione el botón de encendido para encender la radio.

2. Presione el botón de banda para seleccionar el modo de radio DAB.
3. Presione el botón de sintonización automática para iniciar el escaneo. En pantalla se mostrará "Scanning" (escaneando) y la radio realizará un escaneo de las frecuencias DAB de la banda III. A medida que se encuentren nuevas emisoras de radio, el contador de emisoras aumentará y las emisoras de radio se añadirán a la lista. El gráfico de barras indica el progreso del escaneo.

## Sintonización manual – DAB

La sintonización manual le permite sintonizar la radio a una frecuencia DAB particular de la banda III. Esta función también puede usarse para ayudar en la ubicación de la antena o la radio, para así optimizar la recepción de un canal o frecuencia específica.

1. Estando en modo DAB, presione el botón de configuración avanzada para entrar al menú de ajustes.
2. Gire el control de sintonización para seleccionar "Manual Tune" (sintonización manual). Presione el control de sintonización para entrar al modo de sintonización manual.
3. Gire el control de sintonización para seleccionar el canal DAB deseado. Presione el control de sintonización para confirmar la frecuencia elegida.

## Control de rango dinámico (DRC) – DAB

La función DRC puede hacer que los sonidos más bajos sean más fáciles de escuchar cuando use la radio en un entorno ruidoso al reducir el rango dinámico de una señal de audio. Hay tres niveles de compresión:

- |     |                                  |
|-----|----------------------------------|
| 1   | Compresión máxima aplicada.      |
| 1/2 | Compresión media aplicada.       |
| 0   | No se aplica ninguna compresión. |
1. Estando en modo DAB, presione el botón de configuración avanzada para entrar al menú de ajustes.
  2. Gire el control de sintonización para seleccionar "DRC". A continuación, presione el control de sintonización para entrar a los ajustes. En pantalla se mostrará el valor DRC actual.
  3. Gire el control de sintonización para seleccionar el ajuste DRC deseado.
  4. Presione el control de sintonización para confirmar los ajustes.

## Configuración del orden de las emisoras – DAB

La radio tiene 3 configuraciones de orden de las emisoras para elegir. Las configuraciones son:

alfanumérica, conjunto y válida.

1. Estando en modo DAB, presione el botón de configuración avanzada para entrar al menú de ajustes.
2. Gire el control de sintonización para seleccionar "Station order" (orden de las emisoras) y a continuación, presione el control de sintonización para entrar a los ajustes.
3. Gire el control de sintonización para seleccionar una de las siguientes opciones y presione el control de sintonización para confirmar los ajustes.

Alfanumérica	Ordena la lista de emisoras alfanuméricamente: 0...9, A...Z.
Conjunto	Organiza la lista de emisoras según el multiplex DAB.
Válida	Muestra solo las emisoras para las que se pueda encontrar una señal.

## Sintonización por escaneo – FM

### Nota:

La antena FM está integrada en el asa. Al usar la radio, enderece adecuadamente el asa por encima de la radio para obtener una mejor recepción.

1. Presione el botón de encendido para encender la radio.
2. Presione el botón de banda para seleccionar el modo de radio FM.
3. Presione el botón de sintonización automática y la radio buscará y se detendrá automáticamente cuando encuentre una emisora de radio.
4. Tras unos segundos la pantalla se actualizará. En pantalla se mostrará la frecuencia de la señal encontrada. Si la señal es lo suficientemente fuerte y hay datos RDS, la radio mostrará el nombre de la emisora.
5. Para encontrar otra emisora, presione el botón de sintonización automática como antes.
6. Cuando se llegue al final de la banda de frecuencia, la radio comenzará la sintonización desde el extremo opuesto de la banda de frecuencia.
7. Gire el control de volumen para ajustar el nivel del volumen según sea necesario.

### Nota:

El volumen no debe ser demasiado alto. Para evitar posibles daños auditivos, no escuche a niveles altos de volumen durante periodos prolongados.

8. Para apagar la radio, presione el botón de encendido.

## Sintonización manual – FM

1. Presione el botón de encendido para encender la radio.
2. Presione el botón de banda para seleccionar el modo de radio FM.

3. Presione el control de sintonización para cambiar al modo de control de sintonización.
4. Gire el control de sintonización para encontrar la emisora deseada.
5. Para ajustar el volumen, presione de nuevo el control de sintonización para cambiar al modo de control de volumen.
6. Gire el control de volumen para ajustar el nivel del volumen según sea necesario.

## Modos de visualización – FM (RDS)

La radio dispone de diferentes opciones de visualización para el modo de radio FM.

El indicador RDS en la parte inferior de la pantalla indica que hay algunos datos RDS presentes en la transmisión que se está recibiendo. La pantalla del altavoz estéreo muestra que la radio está recibiendo una transmisión estéreo.

Presione repetidamente el botón de información para ver la información RDS (Radio Data System - Sistema de datos de radio) de la emisora que esté escuchando.

- a. Texto de la radio Muestra mensajes de texto de la radio como nuevos artículos, etc.
- b. Tipo de programa Muestra el tipo de emisora que está escuchando, como pop, clásica, noticias, etc.
- c. Frecuencia Muestra la frecuencia de la señal FM (si no hay información RDS disponible, en pantalla se mostrará "No Name" (sin nombre)).
- d. Modo de audio Muestra el modo de audio actual.
- e. Fecha Muestra la fecha actual.

## Zona de escaneo FM

Cuando usa el modo FM, la radio puede ajustarse para que escanee emisoras locales o todas las emisoras (incluyendo emisoras de radio lejanas).

1. Estando en modo FM, presione el botón de configuración avanzada para entrar al menú de ajustes.
2. Gire el control de sintonización para seleccionar "Scan zone" (zona de escaneo). Presione el control de sintonización para entrar a los ajustes. Los ajustes de audio actuales aparecen indicados con una marca.
3. Gire el control de sintonización para seleccionar "Local" (solo emisoras fuertes) o "Distant" (lejanas - todas las emisoras). La opción "Distant" permitirá a la radio encontrar emisoras más débiles al escanear.
4. Presione el control de sintonización para confirmar los ajustes. El ajuste de local o lejanas se guarda en la radio y permanece en vigencia hasta que se cambie o se restablezca el sistema.




## Ajuste estéreo/mono – FM

Si la emisora de radio FM que está escuchando tiene una señal débil, puede que escuche algunos silbidos. Es posible reducir estos silbidos forzando a la radio reproducir la emisora en mono en vez de estéreo.

1. Asegúrese de que la radio esté en modo FM y sintonice la emisora FM deseada.
2. Presione el botón de configuración avanzada para entrar al menú de ajustes.
3. Gire el control de sintonización para seleccionar “Audio Setting” (ajustes de audio). Presione el control de sintonización para entrar a los ajustes. Los ajustes de audio actuales aparecen indicados con una marca.
4. Gire el control de sintonización para seleccionar “Forced Mono” (mono forzado) o “Stereo Allowed” (estéreo permitido). Presione el control de sintonización para confirmar los ajustes.

## Presintonizar emisoras en modos DAB y FM

Hay 5 presintonías para radio FM y otras cinco para radio DAB. Se usan de la misma manera en ambas bandas.

1. Presione el botón de encendido para encender la radio.
2. Presione el botón de banda para seleccionar la banda de frecuencia deseada. Sintonice la emisora de radio deseada tal y como se describió anteriormente.
3. Mantenga presionado el botón de la presintonía deseada hasta que en pantalla se muestre por ejemplo “Preset 1 saved” (presintonía 1 guardada). En la parte inferior de la pantalla se mostrará . La emisora se guardará en la presintonía seleccionada. Repita el procedimiento para las presintonías restantes como desee.
4. Las presintonías guardadas pueden sobrescribirse usando el procedimiento anterior si fuera necesario.

## Seleccionar una presintonía en modos DAB y FM

1. Presione el botón de encendido para encender la radio.
2. Presione el botón de banda para seleccionar el modo de radio DAB o FM.
3. Presione momentáneamente el botón de presintonía deseada para sintonizar su radio a una de las emisoras guardadas en las presintonías de memoria.

## OTROS AJUSTES

### Actualización automática de la hora

Puede hacer que la radio ajuste su reloj con las transmisiones DAB o FM. Después de un corte en el suministro eléctrico, la radio ajustará el reloj la próxima vez que encienda la radio en modo DAB o FM.

1. Con la radio encendida, presione el botón de configuración avanzada para acceder al menú del modo actual.
2. Gire el control de sintonización para seleccionar “Time/Date” (hora y fecha). Presione el control de sintonización para entrar a los ajustes.
3. Gire el control de sintonización para seleccionar “Auto Update” (actualización automática). Presione el control de sintonización para entrar al menú de actualización automática.
4. Gire el control de sintonización para seleccionar la opción de actualización de entre “from Any” (desde cualquiera), “from DAB” (desde DAB) o “from FM” (desde FM). Presione el control de sintonización para confirmar la elección. El ajuste actual se indicará con una marca.

### Configurar el formato del reloj

1. Con la radio encendida, presione el botón de configuración avanzada para acceder al menú del modo actual.
2. Gire el control de sintonización para seleccionar “Time/Date” (hora y fecha). Presione el control de sintonización para entrar a los ajustes.
3. Gire el control de sintonización para seleccionar “Set 12/24 Hour” (establecer 12/24 horas). Presione el control de sintonización para entrar a los ajustes del formato del reloj. Los ajustes actuales del reloj se indicarán con una marca.
4. Gire el control de sintonización para seleccionar entre el formato de 12 o 24 horas. Presione el control de sintonización para confirmar los ajustes. Si selecciona el formato de 12 horas, la radio mostrará un reloj de 12 horas con el indicador de a. m. y p. m.

### Configurar el formato de la fecha

1. Con la radio encendida, presione el botón de configuración avanzada para acceder al menú del modo actual.
2. Gire el control de sintonización para seleccionar “Time/Date” (hora y fecha). Presione el control de sintonización para entrar a los ajustes.
3. Gire el control de sintonización para seleccionar “Set Date Format” (establecer formato de la fecha). Presione el control de sintonización para entrar a los ajustes.

4. Gire el control de sintonización para seleccionar “DD-MM-YYYY” o “MM-DD-YYYY” (DD: día, MM: mes, YYYY: año) como formato de la fecha. Presione el control de sintonización para confirmar los ajustes.

## Compensación

Puede conseguir una compensación para la radio en las frecuencias más bajas o altas ajustando la función de compensación.

1. Con la radio encendida, presione el botón de configuración avanzada para acceder al menú del modo actual.
2. Gire el control de sintonización para seleccionar “Loudness” (compensación). Presione el control de sintonización para entrar a los ajustes.
3. Gire el control de sintonización para seleccionar “On” (encendida) para activar la función de compensación. Para desactivar la función de compensación, seleccione “Off” (apagada). Presione el control de sintonización para confirmar los ajustes.

## Idioma

Hay ocho idiomas disponibles para la radio: inglés, alemán, italiano, francés, neerlandés, danés, noruego y polaco.

1. Con la radio encendida, presione el botón de configuración avanzada para acceder al menú del modo actual.
2. Gire el control de sintonización para seleccionar “Language” (idioma). Presione el control de sintonización para entrar a los ajustes.
3. Gire el control de sintonización para seleccionar el idioma deseado. Presione el control de sintonización para confirmar los ajustes.

## Restablecer los valores de fábrica

Si desea restablecer completamente la radio a su estado inicial siga el procedimiento siguiente. Al restablecer los valores de fábrica todos los ajustes introducidos por el usuario se borrarán.

1. Con la radio encendida, presione el botón de configuración avanzada para acceder al menú del modo actual.
2. Gire el control de sintonización para seleccionar “Factory Reset” (restablecer los valores de fábrica). Presione el control de sintonización para entrar a los ajustes.
3. Gire el control de sintonización para seleccionar “Yes” (sí) o “No”. Si no desea llevar a cabo el restablecimiento de los valores de fábrica, seleccione “No” y a continuación, presione el control de sintonización para confirmar los ajustes. Con “Yes” (sí) seleccionado, presione el control de sintonización. Se realizará un restablecimiento

completo. La lista de emisoras y las presintonías se borrarán. Todos los ajustes volverán a sus valores por defecto.

En caso de un mal funcionamiento debido a una descarga electrostática, restablezca el producto (puede que necesite volver a conectar la fuente de alimentación) para continuar con el uso normal.

## Puerto microUSB para actualización del software

En el futuro puede haber disponibles actualizaciones para el software.

A medida que las actualizaciones de software estén disponibles, puede encontrar el software e información sobre cómo actualizar la radio en [la página web de Makita](#).

1. Usando un cable microUSB (no suministrado), conecte la toma USB, ubicada en el compartimiento de la batería, y el PC.
2. Con la radio encendida, presione el botón de configuración avanzada para acceder al menú del modo actual.
3. Gire el control de sintonización para seleccionar “Software Update” (actualización de software). Presione el control de sintonización para entrar a los ajustes.
4. Gire el control de sintonización para seleccionar “Yes” (sí) o “No”. Si no desea llevar a cabo la actualización del software, seleccione “No” y presione el control de sintonización para confirmar los ajustes. Con “Yes” (sí) seleccionado, presione el control de sintonización. En pantalla se mostrará “Waiting for PC wizard” (Esperando al asistente del PC). Vaya a la página web para descargar la versión más actual del software. Siga las instrucciones en pantalla en el PC proporcionadas por el software de actualización para completar la actualización.

### Nota:

Use el adaptador de CA como alimentación principal cuando actualice el software. No apague la alimentación de la radio hasta que la operación de actualización se haya completado y la radio se haya reiniciado, de lo contrario la unidad podría dañarse permanentemente.

## Versión del software

1. Con la radio encendida, presione el botón de configuración avanzada para acceder al menú del modo actual.
2. Gire el control de sintonización para seleccionar “Software Version” (versión del software). Presione el control de sintonización para mostrar la versión del software.

## Función ecualizador

Alrededor del control de sintonización hay 7 tipos de indicadores LED de color para indicar los diferentes modos del ecualizador.

1. Presione el botón de encendido para encender la radio.
2. Presione el botón de control del ecualizador para acceder al menú de ajustes del ecualizador.
3. Gire el control de sintonización para seleccionar el modo deseado. A continuación, presione el control de sintonización para confirmar la selección.

Modo del ecualizador	Indicador LED
PLANO	Blanco
JAZZ	Azul
ROCK	Rojo
CLÁSICA	Marrón
POP	Rosa
NOTICIAS	Amarillo
MI ECUALIZADOR	Verde

## Configurar el perfil de Mi ecualizador

1. Presione el botón de control del ecualizador para acceder al menú de ajustes del ecualizador.
2. Presione el control de sintonización para seleccionar "MY EQ Setup" (configuración de mi ecualizador). A continuación, presione el control de sintonización para entrar al menú de ajustes.
3. Presione el control de sintonización para seleccionar "Treble" (agudos). Presione el control de sintonización para entrar a los ajustes. Gire el control de sintonización para seleccionar el nivel de agudos deseado. Presione el control de sintonización para confirmar los ajustes.
4. Presione el control de sintonización para seleccionar "Middle" (medios). Presione el control de sintonización para entrar a los ajustes. Gire el control de sintonización para seleccionar el nivel de medios deseado. Presione el control de sintonización para confirmar los ajustes.
5. Presione el control de sintonización para seleccionar "Bass" (graves). Presione el control de sintonización para entrar a los ajustes. Gire el control de sintonización para seleccionar el nivel de graves deseado. Presione el control de sintonización para confirmar los ajustes.

### Nota:

Al usar el ecualizador para enfatizar los graves y escuchar a niveles altos de volumen, esto puede causar ruido y distorsión. En dicho caso, ajuste el volumen de la radio apropiadamente.

## ESCUCHAR MÚSICA A TRAVÉS DE TRANSMISIÓN BLUETOOTH

Antes de poder enlazarse automáticamente para reproducir/transmitir música Bluetooth a través de la radio, necesita vincular su dispositivo Bluetooth con la radio. La vinculación crea un "vínculo" para que dos dispositivos se reconozcan mutuamente.

### Nota:

- Para tener una mejor calidad de sonido, recomendamos que ajuste el volumen en su dispositivo Bluetooth a más de dos tercios y a continuación, ajuste el volumen en la radio como necesite.
- DMR115 puede memorizar hasta 8 dispositivos emparejados. Cuando la memoria exceda esta cantidad, el primero de los dispositivos emparejados será sobrescrito.

## Vincular su dispositivo Bluetooth por primera vez

1. Presione el botón de encendido para encender la radio. Presione el botón de banda para seleccionar el modo Bluetooth. En pantalla aparecerá "BT Pair" (vinculación Bluetooth) y los botones de las presintonías (1-5) parpadearán en color blanco indicando que la radio es ahora visible.
2. Active el Bluetooth en su dispositivo según su manual de usuario para vincularlo a la radio. Vaya a la lista de dispositivos Bluetooth y seleccione el dispositivo llamado "DMR115" (algunos teléfonos móviles equipados con versiones anteriores al Bluetooth BT2.1 puede que necesiten introducir la contraseña "0000").
3. Una vez conectado habrá un tono de confirmación. Los botones de las presintonías (1-5) permanecerán encendidos en color blanco. Ahora puede seleccionar y reproducir cualquier música desde su dispositivo fuente. El volumen puede ajustarse desde el dispositivo fuente o directamente desde la radio.
4. Use los controles en su dispositivo Bluetooth o en la radio para reproducir/pausar y cambiar las pistas.

### Nota:

- Si dos dispositivos Bluetooth, vinculándose por primera vez, buscan la radio, este se mostrará disponible para ambos dispositivos. Sin embargo, si un dispositivo se enlaza con esta unidad primero, entonces el otro dispositivo Bluetooth no lo encontrará en la lista.
- Si su dispositivo Bluetooth se desconecta temporalmente de su radio, entonces, deberá reconectar su dispositivo a la radio de forma manual.

- Si “DMR115” aparece en la lista de su dispositivo Bluetooth, pero no puede conectarse a él, borre el elemento de la lista y vincule de nuevo el dispositivo con la radio, siguiendo los pasos descritos anteriormente.
- El rango óptimo de transmisión Bluetooth es de aproximadamente 10 metros (30 pies) (campo visual) a la radio, pero una distancia de hasta 30 metros (100 pies) es posible.
- Si se pierde la conexión Bluetooth debido a un exceso del tiempo de separación, de la distancia óptima, obstáculos u otros motivos, puede que sea necesario volver a conectar el dispositivo con la radio.
- Objetos físicos, otros dispositivos inalámbricos o dispositivos electromagnéticos pueden afectar la calidad de la conexión.
- La capacidad de la conectividad Bluetooth podría variar dependiendo del dispositivo Bluetooth que se haya conectado. Por favor, consulte las especificaciones Bluetooth de su dispositivo antes de conectarlo a su radio. Puede que no todas las funciones estuvieran disponibles en algunos dispositivos Bluetooth.

## Reproducción de archivos de audio en el modo Bluetooth

Cuando haya conectado su radio con el dispositivo Bluetooth que haya elegido, ya podrá comenzar a reproducir su música usando los controles del dispositivo Bluetooth al que se haya conectado.

1. Una vez que la reproducción haya comenzado, ajuste el volumen al nivel deseado usando los botones de volumen en su radio o en su dispositivo Bluetooth.
2. Use los controles en el dispositivo fuente Bluetooth para reproducir/pausar y recorrer las pistas. Alternativamente, controle la reproducción usando los botones de reproducir/pausar, siguiente pista y pista anterior en la radio.
3. Mantenga presionado el botón de avance rápido o rebobinado para moverse en la pista actual. Suelte el botón cuando haya llegado al punto deseado.

### Nota:

- Es posible que algunas aplicaciones o dispositivos de los reproductores no respondan a todos estos controles.
- Algunos teléfonos móviles puede que se desconecten temporalmente de su radio al realizar o recibir llamadas. Algunos dispositivos puede que silencien temporalmente su transmisión de audio por Bluetooth cuando reciben mensajes de texto, correos electrónicos o por otros motivos ajenos a la transmisión de audio. Ese comportamiento es una función del dispositivo conectado y no indica un fallo en su radio.

## Reproducir un dispositivo fuente Bluetooth previamente vinculado

Si su dispositivo Bluetooth hubiera sido emparejado con la radio anteriormente, la unidad memorizará su dispositivo Bluetooth e intentará reconectarse con el dispositivo de la memoria con el que se conectó por última vez. Si el último dispositivo con el que se conectó no estuviera disponible, la radio será reconocible.

## Desconectar su dispositivo Bluetooth

Mantenga presionado el botón de vinculación Bluetooth durante 2-3 segundos hasta que “BT Pair” (vinculación Bluetooth) se muestre en pantalla o desactive el Bluetooth en su dispositivo Bluetooth para desactivar la conexión. También puede presionar el botón de banda para seleccionar otro modo que no sea el modo Bluetooth para desactivar la conexión.

## Borrar la memoria de dispositivos Bluetooth vinculados

Para borrar la memoria de todos los dispositivos vinculados, mantenga presionado el botón de vinculación Bluetooth durante más de 7 segundos hasta que “Clearing” (borrando) se muestre en pantalla.

## TOMA DE ENTRADA AUXILIAR

En la parte frontal de la radio se encuentra una toma de entrada auxiliar de 3,5 mm para permitir la entrada de una señal de audio desde un dispositivo de audio externo como un reproductor de MP3 o CD.

1. Conecte una fuente de audio externa (por ejemplo, un reproductor de MP3 o CD) a la toma de entrada auxiliar.
2. Presione el botón de encendido para encender la radio.
3. Presione y suelte repetidamente el botón de banda hasta que se muestre “AUX IN” (entrada auxiliar).
4. Para tener una mejor calidad de sonido, recomendamos poner el volumen a más de dos tercios en su dispositivo de audio y a continuación, ajustar el volumen de la radio según necesite.

### NOTA:

El cable de audio no está incluido como accesorio estándar.

## MANTENIMIENTO

### ⚠ PRECAUCIÓN:

- Nunca utilice gasolina, benceno, disolvente, alcohol o un producto similar. Se puede provocar una decoloración, una deformación o grietas.
- No lave la radio con agua.

# SPECIFICATIONS

<b>Requisitos de alimentación</b>	
Adaptador de CA	CC 12 V 2,5 A, pin central positivo
Batería	Batería: 10,8 V - 18 V
Cobertura de frecuencia	FM: 87.50 - 108 MHz (0.05 MHz/intervalo) DAB/DAB+ 174.928 - 239.200 MHz
Canal de bloqueo DAB/DAB+	DAB (Banda III) 5A - 13F
Estándar compatible	DAB/DAB+

<b>Bluetooth®</b> (La palabra Bluetooth® y los logotipos son marcas comerciales registradas propiedad de Bluetooth SIG, Inc.)	
Versión de Bluetooth	5.0 certificado
Perfiles Bluetooth	A2DP/SCMS-T/AVRCP
Alimentación de transmisión	Power Class 2
Alcance de transmisión	Óptima: 10 metros máximo (33 pies) Posible: 30 metros máximo (100 pies) (varía en función de las condiciones de uso)
Códec Bluetooth	SBC, AAC
Potencia máxima de radiofrecuencia	BT EDR: 1.91dBm BT LE: 0.21dBm
Frecuencia de funcionamiento	2402MHz~2480MHz

<b>Características del circuito</b>	
Altavoz	2 de 2,5 pulgadas y 8 ohmios 1 de 4 pulgadas y 6 ohmios
Potencia de salida	10,8 V - 12 V máximo: 2 W x 2 +10 W 14,4 V: 3 W x 2 +15 W 18 V: 5 W x 2 +25 W
Terminal de entrada	3,5 mm de diámetro (entrada auxiliar)
Sistema de antena	DAB/FM: Antena integrada
Dimensiones (largo x ancho x alto)	268 x 164 x 295 mm
Peso	4,8 kg (sin batería)

## PORTUGUÊS (Instruções Originais)

### EXPLICAÇÃO DO ASPECTO GERAL (Fig. 1)

1. Pega/Antena embutida (DAB/FM)
2. Bloqueio do compartimento da bateria
3. Tapa do compartimento da bateria (cobre a bateria)
4. Coluna de som
5. Tomada DC IN
6. Subwoofer
7. Ligar/Desligar
8. Banda
9. Configuração avançada
10. Informação
11. Luz LED
12. Predefinição 3/Reproduzir/Pausa
13. Predefinição 5
14. Predefinição 4/Faixa seguinte/Avançar
15. Volume/Comando de Sintonização/Seleção
16. Controlo EQ
17. Entrada AUX IN
18. Porta da fonte de alimentação USB
19. Sintonização automática
20. Indicador LED do modo EQ
21. Predefinição 2/Faixa anterior/Rebobinar
22. Predefinição 1/Emparelhamento do Bluetooth
23. Visor LCD
24. Compartimento da bateria
25. Porta micro USB para atualização de software

### SÍMBOLOS

O seguinte mostra os símbolos usados para o equipamento. Certifique-se que compreende o seu significado antes de usar.



Leia o manual de instruções.



Apenas para países da UE.  
Não descarte o equipamento eletrónico ou pilhas juntamente com o lixo doméstico! Em conformidade com as Diretivas Europeias, sobre os Resíduos de Equipamentos Eléctricos e Electrónicos e Baterias e Acumuladores e Resíduos de Pilhas e Acumuladores e a sua implementação de acordo com as leis nacionais, equipamentos eléctricos e baterias e pilhas gastas devem ser recolhidas separadamente

e devolvidas para uma instalação de reciclagem compatível com o meio ambiente.

### SEGURANÇA IMPORTANTE INSTRUÇÕES

#### **ADVERTÊNCIA:**

Quando utiliza ferramentas elétricas, deve seguir sempre as precauções de segurança básicas para reduzir o risco de incêndio, choque elétrico e danos pessoais, incluindo o seguinte:

1. Leia cuidadosamente o manual de instruções e o manual de instruções do carregador antes de usar.
2. Limpe apenas com um pano seco.
3. Não instale o aparelho junto de fontes de calor como radiadores, registos de calor, fogões ou outros aparelhos (incluindo amplificadores) que produzam calor.
4. Utilize apenas as ligações/acessórios especificados pelo fabricante.
5. Desligue este aparelho quando houver trovoadas ou quando não seja usado por um longo período de tempo.
6. Um rádio a bateria com bateria integrada ou uma bateria separada tem de ser recarregado apenas com o carregador especificado para a bateria. Um carregador que pode ser adequado para um tipo de bateria pode criar um risco de incêndio quando utilizado com outra bateria.
7. Utilize o rádio a bateria apenas com baterias especificamente concebidas. A utilização de qualquer outra bateria pode criar um risco de incêndio.
8. Quando o conjunto da bateria não se encontra a uso, mantenha-o afastado de outros objetos de metal como: clips de papel, moedas, chaves, pregos, parafusos, ou outros objetos pequenos de metal que possam fazer a ligação entre dois terminais. Colocar em curto-circuito os terminais da bateria pode causar faíscas, queimaduras ou um incêndio.
9. Evitar contacto do corpo com superfícies ligadas à terra como tubos, radiadores, fogões e frigoríficos. Há um risco acrescido de choque elétrico se o corpo estiver ligado à terra.
10. Em condições de mau uso, poderá ser ejetado líquido da bateria, evite o contacto. Se ocorrer um contacto acidental, lave abundantemente com água. Se o líquido entrar em contacto com os olhos, procure também ajuda médica. O líquido ejetado da bateria pode causar irritação ou queimaduras.
11. Não utilize uma bateria ou ferramenta danificada ou modificada. Baterias danificadas ou modificadas podem exibir comportamentos imprevisíveis

que resultam em incêndio, explosão ou risco de ferimentos.

12. Não exponha uma bateria ou ferramenta ao fogo ou temperatura excessiva. A exposição ao fogo ou a temperatura acima de 130 °C(266°F) pode provocar uma explosão.
  13. Siga todas as instruções de carregamento e não carregue a bateria ou a ferramenta fora do intervalo de temperatura especificado nas instruções. Carregar incorretamente ou em temperaturas fora do intervalo especificado pode danificar a bateria e aumentar o risco de incêndio.
  14. A ficha do CABO PRINCIPAL é usada para desligar o aparelho e permanecerá pronta a operar.
  15. Não utilize o produto com o volume alto em nenhuma circunstância. Para evitar danos auditivos, utilize o produto com um nível de volume moderado.
  16. (Apenas para produtos com visor LCD) Os visores LCD incluem líquidos que podem causar irritação e envenenamento. Se o líquido entrar nos olhos, na boca ou na pele, enxaguar com água e chamar um médico.
  17. Não exponha o produto à chuva ou em condições húmidas. A entrada de água no produto aumentará o risco de choque elétrico.
  18. Este produto não está destinado a ser utilizado por pessoas (incluindo crianças) com capacidades físicas, sensoriais ou mentais reduzidas, ou falta de experiência e conhecimento, a menos que tenham sido supervisionadas ou instruídas sobre o uso do produto por uma pessoa responsável pela sua segurança. As crianças devem ser supervisionadas para garantir que elas não brincam com o produto. Armazene o produto fora do alcance das crianças.
5. Não faça curto circuito com a bateria:
    - (1) Não toque nos terminais com qualquer material condutor.
    - (2) Evite guardar o cartucho da bateria num recipiente com outros objetos de metal como pregos, moedas, etc.
    - (3) Não exponha o cartucho de bateria à água ou à chuva. Um curto circuito na bateria pode causar um grande fluxo de corrente, sobreaquecimento, possíveis queimaduras e mesmo avaria.
  6. Não guarde a ferramenta e o cartucho da bateria em locais em que a temperatura possa chegar ou ultrapassar os 50 °C (122°F)
  7. Não incinere o cartucho da bateria mesmo que se encontre muito danificado ou esteja completamente gasto. O cartucho da bateria pode explodir num incêndio.
  8. Tenha cuidado para não deixar cair a bateria ou bater com a bateria.
  9. Não use uma bateria danificada.
  10. Para evitar riscos, o manual de substituição da bateria deve ser lido antes de usar. E a corrente de descarga máxima da bateria deve ser maior ou igual a 8A.
  11. As baterias que contêm iões de lítio estão sujeitas aos requisitos da Legislação de Mercadorias Perigosas. Para transportes Comerciais, por exemplo, por terceiros, agentes de encaminhamento, requisitos especiais de embalagem e rotulagem devem ser observados. Para a preparação do item que está a ser enviado, é necessário consultar um especialista em materiais perigosos. Observe também as regulamentações nacionais mais detalhadamente. Fita ou cubrir os contatos abertos e arrumar a bateria de tal maneira que não pode se mover na embalagem.

## GUARDE ESTAS INSTRUÇÕES

### NORMAS DE SEGURANÇA ESPECÍFICAS

#### PARA O CARTUCHO DA BATERIA

1. Antes de usar o cartucho da bateria, leia todas as instruções e marcas de advertência no (1) carregador da bateria, (2) bateria e (3) produto que usa a bateria.
2. Não desmonte o cartucho da bateria.
3. Se o período de funcionamento se tornar excessivamente curto, pare imediatamente o funcionamento. Pode provocar um risco de sobreaquecimento, possíveis queimaduras ou mesmo explosão.
4. Se o eletrólito entrar para os olhos, lave-os com água limpa e procure um médico imediatamente.

#### CUIDADO:

- Perigo de explosão se a bateria for substituída incorretamente.
- Substitua apenas pelo mesmo tipo ou equivalente.

- **utilize apenas baterias Makita genuínas. O uso de baterias Makita não genuínas, ou baterias que tenham sido alteradas, pode resultar na explosão da bateria causando incêndios, danos pessoais e materiais. Também anulará a garantia da Makita para a ferramenta Makita e o carregador.**

## **Conselhos para a manutenção prolongada da bateria**

1. Carregue o cartucho da bateria antes de estar completamente descarregado. Pare sempre o funcionamento da ferramenta e carregue o cartucho da bateria quando notar uma menor potência da ferramenta.
2. Nunca recarregue um cartucho de bateria completamente carregado. O sobrecarregamento diminui a duração da bateria.
3. Carregue o cartucho da bateria à temperatura ambiente entre 10 °C e 40 °C (50 °F e 104 °F). Deixe que o cartucho da bateria quente arrefeça antes de o carregar.
4. Carregue o cartucho da bateria se não o usar por um longo período de tempo (mais de seis meses).



## TEMPO DE FUNCIONAMENTO

As baterias adequadas para este rádio estão listadas na tabela a seguir.

A tabela seguinte indica o tempo de funcionamento com um único carregamento.

Capacidade da bateria	Tensão da bateria			SAÍDA AALTIFALANTE = 100mW Unidade: Hora (Aproximadamente)	
	10.8V –12Vmáx	14.4V	18V	Em rádio ou AUX	Em Bluetooth + carregamento USB
1.3 Ah		BL1415		3.5	0.7
			BL1815	4.0	1.0
1.5 Ah	BL1015 BL1016			5.5	0.8
		BL1415N BL1415NA		4.5	0.9
			BL1815N	5.0	1.2
2.0 Ah	BL1020B BL1021B			7.0	1.0
			BL1820 BL1820B	6.5	1.6
3.0 Ah		BL1430 BL1430B BL1430A		8.0	1.6
			BL1830 BL1830B	9.0	2.3
4.0 Ah	BL1040B BL1041B			14	2.1
		BL1440		12	2.5
			BL1840 BL1840B	13	3.2
5.0Ah		BL1450		15	3.0
			BL1850 BL1850B	16	4.2
6.0 Ah		BL1460B BL1460A		16	3.3
			BL1860B	20	5.0

### AVISO:

Utilize apenas as baterias listadas acima. O uso de qualquer outra bateria pode causar ferimentos e/ou incendiar.

### Nota:


- A tabela relativa ao tempo de operação da bateria acima é para referência.
- O tempo de operação real pode diferir com o tipo de bateria, condição de carregamento ou ambiente de utilização.
- Algumas bateria e carregadores listados acima podem não estar disponíveis dependendo da sua região de residência.

# INSTALAÇÃO E FONTE DE ALIMENTAÇÃO (FIG.2)

## ⚠ CUIDADO:

- Tenha cuidado para não entalar os dedos ao abrir e fechar a tampa da bateria.
- Volte a colocar o compartimento da bateria na posição original, após instalar ou remover a bateria. Caso contrário, a bateria pode cair acidentalmente do rádio e causar ferimentos a si ou em alguém que esteja perto de si.
- Feche e tranque sempre o compartimento da bateria antes de mover o rádio.
- Desligue sempre o rádio antes de instalar ou remover a bateria.
- Tenha cuidado para não deixar cair ou dar uma pancada no rádio. Se o cartucho partir pode cortar o dedo ou o corpo. Rádio danificado pode exibir um comportamento imprevisível e resultar em incêndio, explosão ou risco de lesão.

## IMPORTANTE:

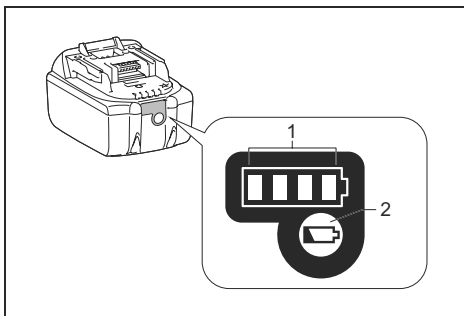
- Potência reduzida, distorção, “som intermitente” ou quando “ Bateria fraca” aparecer no visor, são sinais de que a bateria principal precisa de ser substituída.
- A bateria não pode ser carregada por meio do adaptador de alimentação CA fornecido.
- A bateria não está incluída como acessório padrão.

## Instalar ou retirar a bateria de deslize (Fig. 3 e 4)

- Para colocar a bateria, alinhe a respetiva saliência com a calha do compartimento e encaixe-a suavemente. Insira-a completamente até fixar em posição com um clique.
- Se ainda estiver visível o indicador vermelho na parte superior do botão, não estará bem encaixado. Coloque-a completamente, até deixar de ver o indicador vermelho. Caso contrário, pode cair do rádio e causar ferimentos em si, ou em alguém que esteja perto de si.
- Não exerça força ao introduzir a bateria. Se não encaixar facilmente é porque não está corretamente posicionada.
- Para remover a bateria, deslize-a do rádio enquanto desliza o botão da frente da bateria.

## Indicar a carga restante da bateria








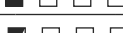



\* *Apenas para baterias com “B” no final do número de modelo.*










## ➤ 1. Lâmpadas do indicador 2. Botão de verificação

Prima o botão de verificação na bateria para indicar a carga restante da bateria. As lâmpadas indicadoras acendem-se durante alguns segundos.

### • Baterias de 14.4V/18V

Lâmpadas indicadoras			Capacidade restante
 Aceso	 Desligado	 A Piscar	
			75% ~ 100%
			50% ~ 75%
			25% ~ 50%
			0% ~ 25%
			Carregue a bateria
			A bateria pode estar avariada

### • Baterias de 10.8V-12V máx

Lâmpadas indicadoras			Capacidade restante
 Aceso	 Desligado	 A Piscar	
			75% ~ 100%
			50% ~ 75%
			25% ~ 50%
			0% ~ 25%

## NOTA:

Dependendo das condições de utilização e da temperatura ambiente, a indicação pode diferir ligeiramente da capacidade efetiva.

## Utilizar o adaptador de alimentação CA fornecido

Remova o protetor de borracha e insira a ficha do adaptador na tomada DC no lado direito do rádio. Conecte o adaptador a uma tomada convencional. Sempre que o adaptador for usado, a bateria é desconectada automaticamente.

### ⚠ CUIDADO:

- **Desconecte sempre completamente o adaptador de alimentação CA antes de mover o rádio. Se o adaptador CA não for removido, pode causar um choque elétrico.**
- **Nunca puxe ou arraste o cabo do adaptador. Caso contrário, o rádio pode cair acidentalmente e causar danos a si ou em alguém que esteja perto de si.**

### IMPORTANTE:

- A finalidade do adaptador é ser usado como meio de ligação entre o rádio e a rede elétrica. A tomada utilizada para o rádio deve permanecer acessível durante o uso normal.
- Para desconectar o rádio, o adaptador deve ser removido completamente da tomada.
- Utilizar o adaptador de alimentação CA fornecido com o produto ou especificado apenas pela Makita.
- Não segure o cabo de alimentação na boca. Pode causar choque elétrico.
- Não toque na ficha de alimentação com as mãos molhadas ou gordurosas.
- Cabos danificados ou emaranhados aumentam o risco de choque elétrico. Se o cabo estiver danificado, substitua-o no nosso centro de assistência autorizado por questões de segurança. Não utilize antes de o reparar.
- Após a utilização, armazene sempre o adaptador de alimentação CA fora do alcance das crianças. Se as crianças brincarem com o cabo, podem sofrer lesões.

## Carregamento através da porta da fonte de alimentação USB

Existe uma porta USB na parte frontal do rádio. Pode carregar o dispositivo USB através da porta USB.

1. Ligue o dispositivo USB, como MP3 ou leitor de CD, com um cabo USB disponível comercialmente.
2. Prima o botão Ligar/desligar para ligar o rádio.
3. Independentemente de o rádio ser alimentado por CA ou bateria, o rádio pode carregar o dispositivo USB quando o rádio é ligado e no modo de rádio DAB/FM, modo BT ou modo AUX, que aparece quando é ligada uma fonte de áudio externa.

### Nota:

- O volume máximo do altifalante vai diminuir quando o USB está a carregar.
- A tomada USB pode proporcionar, no máximo,

2.4A5V de corrente elétrica.

### Importante:

- Antes de ligar o dispositivo USB à porta do USB, efetue sempre cópias de segurança dos dados do dispositivo USB. Caso contrário, os dados podem ser perdidos.
- O rádio pode não fornecer alimentação a alguns dispositivos USB.
- Quando não está em utilização ou após o carregamento, retire o cabo USB e feche a tampa.
- Não ligue a fonte de alimentação à porta USB. Caso contrário, existe um risco de incêndio. A porta USB só se destina a carregar dispositivos de tensão inferior. Coloque sempre a tampa na porta USB quando não estiver a carregar um dispositivo de tensão inferior.
- Não introduza um prego, arame, etc., na porta da fonte de alimentação USB. Caso contrário, um curto-circuito pode causar fumo e incêndios.
- Não ligue esta tomada USB à porta USB do computador, uma vez que é altamente possível que cause a avaria das unidades.

## OUVIR O RÁDIO

Este rádio tem três métodos de sintonia – pesquisa de sintonia, sintonia manual e chamada de pré-sintonias de memória.

### Selecionar uma estação – DAB

#### Nota:

A antena DAB está embutida na pega. Ao operar o rádio, por favor, endireite a pega corretamente acima do rádio para obter melhor receção.

1. Prima o botão Ligar/desligar para ligar o rádio.
2. Selecione o modo DAB ao premir o botão Banda.
3. Prima o botão Comando de Sintonização para entrar na lista de estações. Ou também pode premir no botão de Configuração avançada e depois gire o botão Comando de Sintonização para selecionar “Station List” (Lista de estações). Prima o botão Comando de Sintonização para entrar na lista de estações.
4. Gire o botão Comando de Sintonização para percorrer a lista de estações disponíveis. Prima o manípulo para selecionar a estação.
5. Ajuste o volume pretendido rodando o botão de Volume.

### Modos de apresentação – DAB

O rádio tem uma gama de opções de apresentação para o modo DAB.

Prima o botão Info para percorrer as diferentes opções

- |                                  |   |
|----------------------------------|---|
| a. Segmento de etiqueta dinâmica | Serviços de dados suplementares em forma de texto (até 128 caracteres) em execução ao lado do programa de rádio DAB ou DAB+. Exibe mensagens de texto de deslocamento, como nome do artista/faixa, número de telefone, etc. |
| b. Tipo de programa              | Apresenta o tipo de estação que está a ouvir tal como Pop, Clássica, Notícias, etc.   |
| c. Nome do multiplex             | Indica o nome do multiplex DAB a que pertence a estação atual.  |
| d. Frequência e canal            | Apresenta a frequência e o número do canal para a estação DAB atualmente sintonizada.   |
| e. Erro/Força do sinal           | Apresenta o erro e a força do sinal para a estação que está a ser ouvida. Um número de erro menor indica uma melhor qualidade do sinal de rádio.  |
| f. Taxa de bits/ Tipo de áudio   | Apresenta a taxa de bits de áudio digital e o tipo de áudio da estação DAB atualmente sintonizada.  |
| g. Data                          | Apresenta a data atual.   |

Caso uma transmissão DAB fornecer uma imagem de apresentação de slides, esta poderá ser exibida em ecrã inteiro ao pressionando e segurando o botão de Controlo de Sintonização. Se a transmissão que está a ser recebida estiver em modo estéreo, o símbolo do altifalante estéreo será mostrado na parte inferior do ecrã.

## Encontrar novas estações – DAB

De vez em quando, podem ser disponibilizadas novas estações de rádio DAB. Ou pode mudar-se para outra região do país. Neste caso, pode ter de ativar o rádio para pesquisar novas estações.

Para que o rádio encontre as estações disponíveis, é recomendável realizar uma pesquisa completa de todas as frequências DAB Banda III.

1. Prima o botão Ligar/Desligar para ligar o seu rádio.
2. Prima o botão Banda para selecionar o modo de rádio DAB.
3. Prima o botão Sintonização automática para iniciar a pesquisa. O ecrã irá mostrar “Scanning” (a pesquisar) e o seu rádio irá fazer uma pesquisas das frequências do DAB na Banda III. À medida que novas estações forem encontradas, o contador da estação aumentará e as estações serão adicionadas à lista. O gráfico de barras indica o progresso da pesquisa.

## Sintonização Manual– DAB

A sintonização manual permite-lhe sintonizar o rádio para uma determinada frequência DAB na Banda III. Esta função também pode ser utilizada para auxiliar no posicionamento da antena ou do rádio, de modo a otimizar a receção para um canal ou frequência específicos.

1. Quando estiver no modo DAB, prima o botão Configuração avançada para entrar no menu de configuração.
2. Gire o botão Comando de Sintonização para selecionar “Manual Tune” (Sintonização Manual). Prima o botão Comando de Sintonização para entrar no modo de sintonização manual.
3. Gire o botão de Comando de Sintonização para selecionar o canal DAB desejado. Prima o botão Comando de Sintonização para confirmar a frequência escolhida.

## Controlo de gama dinâmica (Dynamic Range Control, DRC) – DAB

A funcionalidade DRC pode fazer com que seja mais fácil ouvir os sons mais silenciosos quando o rádio for utilizado num ambiente ruidoso, reduzindo a gama dinâmica do sinal de áudio. Existem três níveis de compressão:

- 1 Nenhuma compressão aplicada.
- 1/2 Compressão média aplicada.
- 0 Compressão máxima aplicada.

1. Quando estiver no modo DAB, prima o botão Configuração avançada para entrar no menu de configuração.
2. Gire o botão Comando de Sintonização para selecionar “DRC”. Em seguida, prima o botão Comando de Sintonização para entrar na configuração. O ecrã irá mostrar valor atual do DRC.
3. Gire o botão Comando de Sintonização para selecionar a configuração DRC desejada.
4. Prima o botão de Controle de Sintonização para confirmar a configuração.

## Configuração da ordem de estações – DAB

O rádio tem 3 definições de ordem de estações à escolha. As definições de ordem de estações são: alfanumérica, conjunto e estação válida.

1. Quando estiver no modo DAB, prima o botão Configuração avançada para entrar no menu de configuração.
2. Gire o botão Comando de Sintonização para selecionar “Station order” (Ordem de estações), de seguida, prima o botão Comando de Sintonização para introduzir a definição.

3. Gire o botão Comando de Sintonização para selecionar as opções que se seguem e prima o botão Comando de Sintonização para confirmar a definição.

Alfanumérica	Ordena a lista de estações alfanumericamente 0...9 A...Z
Conjunto	Organiza a lista de estações por multiplex DAB
Estação válida	Apresenta apenas as estações para as quais é possível encontrar um sinal

## Sintonização – FM

### Nota:

A antena FM está embutida na pega. Ao operar o rádio, por favor, endireite a pega corretamente acima do rádio para obter melhor recepção.

1. Prima o botão Ligar/desligar para ligar o rádio.
2. Prima o botão Banda para selecionar o modo de rádio FM.
3. Prima o botão Sintonização automática e o rádio irá procurar e parar automaticamente quando encontrar uma estação de rádio.
4. Após alguns segundos, o ecrã será atualizado. No ecrã irá mostrar a frequência do sinal encontrado. Se o sinal for forte o suficiente e houver dados RDS presentes, o rádio exibirá o nome da estação.
5. Para encontrar outra estação, prima o botão Sintonização automática como anteriormente.
6. Quando o fim da banda de frequência for atingido, o rádio irá recomençar a sintonização da extremidade oposta da banda de frequência
7. Ajuste o volume pretendido rodando o botão de Volume.

### Nota:

O volume não deve estar muito alto. Para evitar possíveis danos na audição, não ouça em altos níveis de volume durante longos períodos.

8. Para desligar o rádio, prima o botão Ligar/Desligar.

## Sintonização Manual – FM

1. Prima o botão Ligar/desligar para ligar o rádio.
2. Prima o botão Banda para selecionar o modo de rádio FM.
3. Prima o botão Comando de Sintonização para alternar para o modo de controle de sintonização.
4. Gire o botão Comando de Sintonização para encontrar a estação desejada.
5. Para ajustar o volume, prima o botão Comando de Sintonização novamente para alternar para o modo de controle de volume.
6. Gire o botão de volume para ajustar o nível de som conforme necessário.

## Modos de apresentação – FM(RDS)

O rádio tem uma gama de opções de apresentação para o modo de rádio FM.

O indicador RDS na parte inferior do ecrã mostra que existem alguns dados RDS presentes na transmissão recebida. O ecrã do altifalante estéreo mostra que o rádio está a receber uma transmissão estéreo.

Prima repetidamente o botão Info para visualizar as informações RDS (Radio Data System) da estação que está a ouvir

- |                     |  |
|---------------------|--|
| a. Texto de rádio   | Apresenta mensagens de texto de rádio tal como novos itens etc.  |
| b. Tipo de programa | Apresenta o tipo de estação que está a ouvir tal como Pop, Clássica, Notícias, etc.  |
| c. Frequência       | Apresenta a frequência do sinal FM. (Se nenhuma informação de RDS estiver disponível, será exibido no ecrã “No Name” (Sem nome). |
| d. Modo de áudio    | Apresenta o modo de áudio atual.   |
| e. Data             | Apresenta a data atual.  |

## Zona de pesquisa FM

Ao utilizar o modo FM, o rádio pode ser definido para pesquisar estações locais ou para pesquisar todas as estações, incluindo estações de rádio distantes.

1. Quando estiver no modo FM, prima o botão Configuração avançada para entrar no menu de configuração.
2. Gire o botão Comando de Sintonização para selecionar “Scan zone” (Zona de pesquisa). Prima o botão de Comando de Sintonização para entrar na configuração. A definição de áudio atual será indicada com um visto.
3. Gire o botão Comando de Sintonização para selecionar “Local” (apenas estações fortes) ou “Distant” (Todas as estações). A opção distante irá permitir que o rádio encontre sinais mais fracos ao pesquisar.
4. Prima o botão Comando de Sintonização para confirmar a definição. A definição local ou distante é armazenada no rádio e permanece em vigor até ser alterada ou até que o sistema seja reiniciado.

## Definir modo estéreo/mono – FM


Se a estação de rádio FM que está a ouvir tiver um sinal fraco, pode ouvir-se algum ruído. É possível reduzir este ruído ao forçar o rádio a reproduzir a estação em mono em vez de estéreo

1. Certifique-se de que o seu rádio esteja no modo FM e sintonize a estação FM desejada.
2. Prima o botão Configuração avançada para entrar no

- menu de configuração.
3. Gire o botão Comando de Sintonização para selecionar "Audio Setting" (Definições de áudio). Prima o botão Comando de Sintonização para entrar na configuração. A definição de áudio atual será indicada com um visto.
  4. Gire o botão Comando de Sintonização para selecionar "Forced Mono" (Forçar mono) ou "Stereo Allowed" (Estéreo permitido). Prima o botão Comando de Sintonização para confirmar a definição.

## Predefinir estações nos modos DAB e FM

Existem 5 estações predefinidas para rádio DAB e FM. São utilizadas da mesma forma para cada banda de frequência.

1. Prima o botão Ligar/desligar para ligar o rádio.
2. Prima o botão Banda para selecionar a banda de frequência pretendida. Sintonize a estação de rádio pretendida, conforme descrito anteriormente.
3. Prima e segure o botão Predefinição desejado até que seja exibido no ecrã "Preset 1 saved" (Predefinição 1 guardado) (por exemplo,  será exibido na parte inferior do ecrã. A estação é então armazenada no botão Predefinição selecionado. Repita este procedimento para as predefinições restantes que desejar.
4. As estações predefinidas que já foram armazenadas podem ser substituídas seguindo o procedimento acima, se necessário.

## Recuperar uma predefinição nos modos DAB e FM

1. Prima o botão Ligar/desligar para ligar o rádio.
2. Prima o botão Banda para selecionar o modo DAB ou FM.
3. Prima momentaneamente o botão Predefinição que desejar, para sintonizar o rádio numa das estações armazenadas na memória predefinida.

## CONFIGURAÇÕES DIVERSAS

### Atualizar automaticamente as horas

Pode definir o rádio as horas das transmissões de rádio DAB ou FM. Após uma falha de energia, o rádio irá definir a hora na próxima vez que ligar o rádio no modo DAB ou FM.

1. Com o seu rádio ligado, prima o botão Configurações avançadas para aceder ao menu do modo atual.
2. Gire o botão Comando de Sintonização para selecionar "Time/Date" (Hora/Data). Prima o botão Comando de Sintonização para entrar na configuração.

3. Gire o botão Comando de Sintonização para selecionar "Auto Update" (Atualizar automaticamente). Prima o botão Comando de Sintonização para entrar no menu de atualização automática.
4. Gire o botão Comando de Sintonização para escolher uma opção de atualização de "from Any" (de qualquer), "from DAB" (de DAB) ou "from FM" (de FM), conforme necessário. Prima o botão Comando de Sintonização para confirmar a sua escolha. A configuração atual será marcada com um visto.

### Definir o formato do relógio

Com o seu rádio ligado, prima o botão Configurações avançadas para aceder ao menu do modo atual.

1. Gire o botão Comando de Sintonização para selecionar "Time/Date" (Hora/Data). Prima o botão Comando de Sintonização para entrar na configuração.
2. Gire o botão Comando de Sintonização para selecionar "Set 12/24 Hour" (Definir 12/24 horas). Prima o botão Comando de Sintonização para entrar na configuração do formato do relógio. O formato de exibição atual do relógio será marcado com um visto.
3. Gire o botão Comando de Sintonização para selecionar o formato de 12 ou 24 horas. Prima o botão Comando de Sintonização para confirmar a sua definição. Se o formato do relógio de 12 horas for escolhido, o rádio irá exibir um relógio de 12 horas com um indicador AM ou PM.

### Definir o formato da data

1. Com o seu rádio ligado, prima o botão Configurações avançadas para aceder ao menu do modo atual.
2. Gire o botão Comando de Sintonização para selecionar "Time/Date" (Hora/Data). Prima o botão Comando de Sintonização para entrar na configuração.
3. Gire o botão Comando de Sintonização para selecionar "Set Date Format" (Definir formato da data). Prima o botão Comando de Sintonização para entrar na configuração.
4. Gire o botão Comando de Sintonização para selecionar o formato "DD-MM-YYYY" ou "MM-DD-YYYY". Prima o botão Comando de Sintonização para confirmar a sua definição.

### Intensidade sonora

Pode obter a compensação na frequência inferior e superior do rádio ao ajustar a função de intensidade sonora.

1. Com o seu rádio ligado, prima o botão Configurações avançadas para aceder ao menu do modo atual.
2. Gire o botão Comando de Sintonização para selecionar "Loudness" (Intensidade sonora). Prima

o botão Comando de Sintonização para entrar na configuração.

3. Gire o botão Comando de Sintonização para selecionar "ON" (Ativar). Para desativar a função de intensidade sonora, selecione "Off" (Desativar). Prima o botão Comando de Sintonização para confirmar a definição.

## Opções de idioma

Estão disponíveis oito opções de idioma no rádio: Inglês, Alemão, Italiano, Francês, Holandês, Dinamarquês, Norueguês e Polaco.

1. Com o seu rádio ligado, prima o botão Configurações avançadas para aceder o menu do modo atual.
2. Gire o botão Comando de Sintonização para selecionar "Language" (Idioma). Prima o botão Comando de Sintonização para entrar na configuração.
3. Gire o botão Comando de Sintonização para selecionar o idioma desejado. Prima o botão Comando de Sintonização para confirmar a definição.

## Reposição de Fábrica

Se desejar repor completamente o seu rádio para o seu estado inicial, isto pode ser feito seguindo este procedimento. Ao efetuar uma reposição de fábrica, todas as configurações inseridas pelo utilizador serão apagadas.

1. Com o seu rádio ligado, prima o botão Configurações avançadas para aceder o menu do modo atual.
2. Gire o botão Comando de Sintonização para selecionar "Factory Reset" (Reposição de Fábrica). Prima o botão Comando de Sintonização para entrar na configuração.
3. Gire o botão Comando de Sintonização para selecionar "Yes" (Sim) ou "No" (Não). Se não quiser executar uma reposição do sistema, selecione "No" e prima o botão Comando de Sintonização para confirmar a definição. Com "Yes" selecionado, prima o botão Comando de Sintonização. Uma reposição completa será executada. A lista de estações e as predefinições serão apagadas. Todas as configurações serão definidas para os seus valores padrão.

Em caso de mau funcionamento devido a uma descarga eletrostática, reinicie o produto (pode ser necessário reconectar à fonte de alimentação) para retomar ao funcionamento normal.

## Porta Micro USB para atualização do software

No futuro, poderão ser disponibilizadas atualizações de software para o rádio.

À medida que as atualizações de software ficam

disponíveis, o software disponível e as informações sobre como atualizar o rádio podem encontrar-se no **website da Makita**.

1. Utilize o cabo micro USB (não fornecido) para conectar na entrada USB no compartimento da bateria e no seu PC.
2. Com o seu rádio ligado, prima o botão Configurações avançadas para aceder o menu do modo atual.
3. Gire o botão Comando de Sintonização para selecionar "Software Update" (Atualização do software). Prima o botão Comando de Sintonização para entrar na configuração.
4. Gire o botão Comando de Sintonização para selecionar "Yes" (Sim) ou "No" (Não). Se você não deseja realizar uma atualização de software, selecione "No" e prima o botão Comando de Sintonização para confirmar a definição. Com "Yes" selecionado, prima o botão Comando de Sintonização. Será exibido no ecrã "Waiting for PC wizard" (A aguardar o assistente do PC). Visite o site para transferir o software mais recente. Siga as instruções no ecrã do seu computador, fornecidas com o software de atualização, para concluir a atualização do software.

### Nota:

Utilize o adaptador de energia CA como fornecedor de energia principal ao atualizar o software. Não desligue a ficha do rádio até que a operação de atualização esteja concluída e o rádio tenha sido reiniciado, caso contrário a unidade poderá ficar permanentemente danificada.

## Versão do software

1. Com o seu rádio ligado, prima o botão Configurações avançadas para aceder o menu do modo atual.
2. Gire o botão Comando de Sintonização para selecionar "Software Version" (Versão do software). Prima o botão Comando de Sintonização para exibir a versão do software.

## Função equalizador

Existem 7 tipos de indicadores LED coloridos ao redor do botão Volume para indicar diferentes modos EQ.

1. Prima o botão Ligar/desligar para ligar o rádio.
2. Prima o botão Controlo EQ para entrar no menu de configuração do EQ.
3. Gire o botão Volume para selecionar o modo desejado. Em seguida, prima o botão Volume para confirmar a seleção.

Modo EQ	Indicador LED
FLAT	Branco
JAZZ	Azul
ROCK	Vermelho
CLÁSSICA	Castanho
POP	Rosa
NOTÍCIAS	Amarelo
My EQ	Verde

## Configurar o perfil do My EQ

1. Prima o botão Controle EQ para entrar no menu de configuração do EQ.
2. Gire o botão Comando de Sintonização para selecionar "MY EQ Setup" (Configurar Meu EQ). Em seguida, prima o botão Comando de Sintonização para entrar no menu de configurações.
3. Gire o botão Comando de Sintonização para selecionar a configuração "Treble" (Agudos). Prima o botão Comando de Sintonização para entrar na configuração. Gire o botão Comando de Sintonização para selecionar o nível de agudos desejado. Prima o botão Comando de Sintonização para confirmar a definição.
4. Gire o botão Comando de Sintonização para selecionar a configuração "Middle" (Médios). Prima o botão Comando de Sintonização para entrar na configuração. Gire o botão Comando de Sintonização para selecionar o nível médio necessário. Prima o botão Comando de Sintonização para confirmar a definição.
5. Gire o botão Comando de Sintonização para selecionar a definição "Bass" (Graves). Prima o botão Comando de Sintonização para entrar na configuração. Gire o botão Comando de Sintonização para selecionar o nível de graves desejado. Prima o botão Comando de Sintonização para confirmar a definição.

### Nota:

Ao usar o equalizador para destacar os graves e ouvir em volume muito alto, pode causar quebra e distorção de som. Neste caso, ajuste adequadamente o volume do rádio.

## OUVIR MÚSICA A PARTIR DO SISTEMA BLUETOOTH

Precisa emparelhar o seu dispositivo Bluetooth com o rádio antes de poder se conectar automaticamente para reproduzir/transmitir música Bluetooth através do rádio. O emparelhamento cria uma "ligação" para que os dois dispositivos possam se reconhecer.

### Nota:

- Para obter a melhor qualidade de som, recomendamos configurar o volume para mais de dois terços no seu dispositivo Bluetooth e, em seguida, ajuste o volume no rádio conforme necessário.
- O seu rádio pode memorizar até 8 conjuntos de dispositivos emparelhados, quando a memória excede este valor, o histórico do emparelhamento mais antigo será substituído.

## Emparelhar o seu dispositivo Bluetooth pela primeira vez

1. Prima o botão Ligar/Desligar para ligar o rádio. Prima o botão Banda para selecionar o modo Bluetooth. Será exibido no ecrã "BT Pair" (Emparelhar Bluetooth) e os botões Predefinição (1-5) piscam a luz branca para mostrar que o rádio pode ser detetado.
2. Ative o Bluetooth no seu dispositivo de acordo com o manual do utilizador do dispositivo para emparelhá-lo com o rádio. Localize a lista de dispositivos Bluetooth e selecione o dispositivo chamado "DMR115" (com alguns telemóveis que estão equipados com versões anteriores ao dispositivo Bluetooth BT2.1, pode precisar de inserir o código de acesso "0000").
3. Uma vez conectado, irá haverá um sinal sonoro de confirmação. Os botões Predefinição (1-5) permanecerão acessos. Agora pode simplesmente selecionar e reproduzir qualquer música do seu dispositivo de origem. O controlo de volume pode ser ajustado a partir do seu dispositivo de origem ou diretamente no rádio.
4. Utilize os controlos do seu dispositivo com Bluetooth ou no rádio para reproduzir/colocar em pausa e navegar pelas faixas.

### Nota:

- Se 2 dispositivos Bluetooth, forem emparelhados pela primeira vez, ambos procuram o seu rádio, mostrando a sua disponibilidade em ambos os dispositivos. Porém, se um dispositivo se ligar a esta unidade primeiro, o outro dispositivo de Bluetooth não o encontrará na lista.
- Se o dispositivo Bluetooth estiver temporariamente desligado do rádio, então necessita de religar manualmente o seu dispositivo de novo ao rádio.
- Se aparecer 'DMR115' na sua lista de dispositivos Bluetooth mas o seu dispositivo não puder ligar-se ao mesmo, apague o item da sua lista e emparelhe, de novo, o dispositivo com o rádio seguindo os passos descritos previamente.
- O melhor alcance de Bluetooth é de aproximadamente 10 metros (linha de visão) para o rádio, mas a distância de até 30 metros (100 pés) é possível.



- Se a conexão Bluetooth for perdida devido ao tempo excedido de desconexão, a distância ideal foi ultrapassada, obstáculos ou outros, talvez seja necessário restabelecer a ligação entre o seu dispositivo e o rádio.
- Obstáculos físicos, outros dispositivos sem fio ou dispositivos eletromagnéticos podem afetar a qualidade da conexão.
- O desempenho da conectividade do Bluetooth pode variar dependendo dos dispositivos Bluetooth ligados. Consulte as capacidades de Bluetooth do seu dispositivo antes de o ligar ao rádio. Nem todas as funcionalidades são suportadas nalguns dispositivos Bluetooth emparelhados.

## tocar ficheiros áudio em Modo Bluetooth

Depois de ter ligado com sucesso o seu rádio ao dispositivo Bluetooth escolhido pode começar a tocar a sua música usando os controlos do dispositivo Bluetooth ligado

1. Depois de começar a tocar ajuste o volume de acordo com o desejado, usando os botões de volume do seu rádio, ou os do dispositivo com capacidade Bluetooth.
2. Utilize os controlos do seu dispositivo Bluetooth para reproduzir/colocar em pausa e navegar pelas faixas. Como alternativa, controle a reprodução usando os botões Reproduzir/Pausa, Faixa seguinte, Faixa anterior no seu rádio.
3. Prime continuamente o botão Avançar ou Rebobinar para percorrer a faixa atual. Solte o botão quando o ponto desejado for atingido.

### Nota:

- Alguns aplicativos ou dispositivos de reprodução podem não responder a todos estes controlos.
- Alguns telemóveis podem ficar temporariamente desligados do rádio quando faz ou recebe chamadas. Alguns dispositivos podem silenciar temporariamente o streaming áudio do Bluetooth quando recebem mensagens de texto, emails, ou por outras razões não relacionadas com o streaming áudio. Esse comportamento é uma função do dispositivo ligado e não indica uma avaria no seu rádio.

## Reproduzir um dispositivo Bluetooth previamente emparelhado

Se o seu dispositivo Bluetooth já tiver sido emparelhado anteriormente com o rádio, a unidade memorizará o seu dispositivo Bluetooth e esta tenta restabelecer a ligação com um dispositivo na memória que tenha sido ligado da última vez. Se o último dispositivo ligado não estiver disponível, o rádio fica disponível.

## Desconectar o dispositivo Bluetooth

Prima continuamente o botão Emparelhamento do Bluetooth durante 2-3 segundos até que “BT PAIR” (Emparelhamento Bluetooth) seja exibido no ecrã ou desligue o Bluetooth no seu dispositivo Bluetooth para desativar a conexão.

Também pode premir o botão Banda para selecionar qualquer modo diferente de Bluetooth para desativar a conexão.

## Apagar os dispositivos Bluetooth emparelhados gravados

Para apagar todos os dispositivos emparelhados gravados, prima continuamente o botão Emparelhamento do Bluetooth mais do que 7 segundos até aparecer no ecrã “Clearing” (A apagar).

## ENTRADA AUXILIAR

Na parte da frente do rádio, existe uma entrada auxiliar de 3,5 mm para reproduzir a partir de um dispositivo de áudio externo para o rádio, como um MP3 ou um leitor de CDs.

1. Conecte uma fonte de áudio externa (por exemplo, MP3 ou leitor de CDs) na entrada AUX IN.
2. Prima o botão Ligar/desligar para ligar o rádio.
3. Prima repetidamente e solte o botão Banda até que “AUX IN” seja exibido.
4. Para obter a melhor qualidade de som, recomendamos que ajuste o volume para mais de dois terços no seu dispositivo de áudio e ajuste o volume no rádio, conforme o necessário.

### NOTA:

O cabo de áudio não está incluído como acessório padrão.

## MANUTENÇÃO

### ⚠ PRECAUÇÃO:

- Nunca utilize gasolina, benzina, diluente, álcool ou semelhante. Podem formar-se descolorações, deformações ou fissuras.
- Não limpe o rádio com água.

# ESPECIFICAÇÕES

Requisitos de alimentação	
Adaptador de alimentação CA	DC 12V 2.5A, pino central positivo
Bateria	Bateria de deslize: 10.8V - 18V
Cobertura de frequências	FM87.50-108MHz (0.05MHz/step) DAB/DAB+ 174.928-239.200 MHz
Bloqueio de canais DAB/DAB+	DAB (Banda III) 5A-13F
Norma compatível	DAB/DAB+

Bluetooth®	
(A marca e o logótipo Bluetooth® são marcas comerciais registadas da Bluetooth SIG, Inc.)	
Versão de Bluetooth	Certificado 5.0
Perfis de Bluetooth	A2DP/SCMS-T/AVRCP
Potência de transmissão	Classe de Potência 2
Intervalo de transmissão	Ótimo: Máx. 10 metros (33 pés) Possível: Máx. 30 metros (100 pés) (varia de acordo com as condições de utilização)
Codec suportado	SBC, AAC
Potência máxima de radiofrequência:	BT EDR: 1.91dBm BT LE: 0.21dBm
Frequência de funcionamento	2402MHz~2480MHz

Característica do circuito	
Coluna	2.5 polegadas 8 ohm x 2 4 polegadas 6 ohm x 1
Potência de saída	10.8V-12Vmáx: 2W x 2 +10W 14.4V: 3W x 2 +15W 18V: 5W x 2 +25W
Terminal de entrada	3.5 mm dia. (AUX IN)
Sistema de antena	DAB/FM: Antena embutida
Dimensões (C x L x A)	268 x 164 x 295 mm
Peso	4.8 KG (sem bateria)

## DANSK (Originale instruktioner)

### FORKLARING AF GENEREL VISNING (Fig. 1)

1. Håndtag/indbygget antenne (DAB/FM)
2. Batterirum lås
3. Batterirumsdæksel (dækker batteripatronen)
4. Højtaler
5. DC indgangsstik
6. Subwoofer
7. Tænd-/sluk-knap
8. Bånd-knap
9. Knap til avancerede indstillinger
10. Info-knap
11. LED-lygte
12. Forudindstilling 3/Afspil/Pause-knap
13. Forudindstilling 5-knap
14. Forudindstilling 4/Næste spor/Hurtig fremad-knap
15. Lydstyrke/tuning/valgknap
16. EQ-kontrolknap
17. AUX IN indgangsstik
18. USB-strømforsyningsport
19. Knap til automatisk valg af frekvens
20. EQ LED-indikator
21. Forudindstilling 2/Forrige spor/  
Tilbagespolingsknap
22. Forudindstilling 1/Bluetooth-parringsknap
23. LCD display
24. Batterirum
25. Mikro USB-port til softwareopgradering

### SYMBOLER

I det efterfølgende vises de symboler, der anvendes for udstyret. Sørg for at du forstår deres betydning før brug.



Læs brugsanvisningen.



Kun for EU-lande

Smid ikke elektrisk udstyr eller batterier ud sammen med husholdningsaffald! Under overholdelse af de europæiske direktiver om elektrisk og elektronisk udstyr og batterier og akkumulatører og opbrugte batterier og akkumulatører og deres gennemførelse i overensstemmelse med national lovgivning skal elektrisk udstyr og batterier og batteripakker, der er nået til enden af deres levetid, indsamles separat og returneres til et miljømæssigt egnet genvindingsanlæg.

## VIGTIGE SIKKERHEDSINSTRUKTIONER

### ⚠ ADVARSEL:

Ved brug af elektriske maskiner skal de grundlæggende sikkerhedsforholdsregler altid overholdes for at reducere risikoen for brand, elektrisk stød og personskade, inklusive de følgende:

1. Læs denne brugsanvisning og brugsanvisningen til opladeren omhyggeligt igennem inden brug.
2. Foretag kun rengøring med en ren klud.
3. Installer ikke udstyret i nærheden af varmekilder som f.eks. radiatorer, indblæsningsriste, kakkelovne eller andre apparater (inklusive forstærkere) der producerer varme.
4. Brug kun ekstraudstyr/tilbehør som er specificeret af producenten.
5. Tag stikket til dette apparat ud under tordenvej, eller når det ikke skal anvendes i længere tidsperioder.
6. En batteridrevet radio med indbygget batteri eller en separat batteripakke må kun oplades med den specificerede oplader til batteriet. En oplader, der muligvis passer til én type batteri, kan medføre risiko for brand, hvis den anvendes med et andet batteri.
7. Anvend kun batteridrevne radioer sammen med særligt designede batteripakker. Brug af andre batterier kan muligvis medføre en risiko for brand.
8. Når batteripakken ikke er i brug, skal den holdes væk fra andre metalgenstande som f.eks.: papirclips, mønter, søm, nøgler, skruer eller andre små metalgenstande, som kan forbinde den ene terminal med den anden. Kortslutning af batteriterminalerne kan medføre gnister, forbrændinger eller brand.
9. Undgå kropskontakt med jordforbundne overflader som rør, radiatorer, overflader og køleskabe. Hvis kroppen er jordforbundet, forøges risikoen for elektrisk stød.
10. Ved forkert behandling kan der sive væske ud fra batteriet; undgå kontakt. Hvis der opstår utilsigtet kontakt, skal du skylle med vand. Hvis du får væske i øjnene, skal du desuden søge lægehjælp. Væske fra batteriet kan forårsage irritation eller forbrændinger.
11. Brug ikke en batteripakke eller et værktøj, som er beskadiget eller modificeret. Beskadigede eller ændrede batterier kan udvise uforudsigelig adfærd, der resulterer i brand, eksplosion eller risiko for skade.
12. Udsæt ikke en batteripakke eller et værktøj for brand eller overdrevent høj temperatur. Hvis det udsættes for ild eller temperatur over 130 °C(266°F), kan det forårsage eksplosion.
13. Følg alle opladningsinstruktioner, og oplad ikke batteriet eller værktøjet uden for det temperaturområde, der er angivet i vejledningen.

Ukorrekt opladning eller ved temperaturer uden for det angivne område kan beskadige batteriet og øge risikoen for brand.

- NETSTIKKET bruges som afbryder, og det skal derfor være let og hurtigt tilgængeligt
- Brug ikke produktet ved høj lydstyrke i længere tid. For at undgå høreskader, brug produktet ved moderat lydstyrke.
- (Kun for produkter med LCD-skærm) LCD-skærme indeholder væske, der kan forårsage irritation og forgiftning. Hvis væsken kommer i øjnene, munden eller huden, skal man området med vand og kontakte en læge.
- Udsæt ikke produktet for regn eller våde forhold. Vand, der kommer ind i produktet, øger risikoen for elektrisk stød.
- Dette produkt er ikke beregnet til brug af personer (herunder børn) med nedsatte fysiske, sensoriske eller mentale evner eller manglende erfaring og viden, medmindre de er under opsyn eller har fået instruktioner vedrørende brugen af produktet af en person, der er ansvarlig for deres sikkerhed. Børn skal overvåges for at sikre, at de ikke leger med produktet. Opbevar produktet utilgængeligt for børn.

## GEM DISSE INSTRUKTIONER

### SPECIFIKKE SIKKERHEDSREGLER

#### TIL BATTERIPATRON

- Før du bruger batteripakken, skal du læse alle instruktioner og advarselmærkninger på (1) batterioplader, (2) batteri og (3) produktet, som batteri skal bruges i.
- Adskil ikke batteripakken.
- Hvis driftstiden er blevet væsentligt kortere, skal man standse driften med det samme. Det kan medføre risiko for overophedning, forbrændinger og endda eksplosion.
- Hvis du får elektrolyt i øjnene, skal du skylle dem med rent vand og søge læge med det samme. Det kan resultere i tab af synet.
- Man må ikke kortslutte batteripakken:
  - Berør ikke terminalerne med nogen som helst elektrisk ledende materialer.
  - Undgå at opbevare batteripakken i en beholder, som indeholder andre metalgenstande såsom søm, mønter, osv.
  - Udsæt ikke batteripakken for vand eller regn. En eventuel kortslutning af batteriet kan medføre at der opstår en stor strømstyrke, overophedning, mulige forbrændinger og endog sammenbrud.

- Opbevar ikke værktøjet og batteripakken på steder, hvor temperaturen kan nå eller overstige 50°C (122°F)
- Man må ikke brænde batteripakken, selv om den er alvorligt beskadiget eller helt slidt op. Batteripakken kan eksplodere, hvis den udsættes for ild.
- Pas på ikke at tabe batteri eller udsætte det for stød.
- Brug ikke et beskadiget batteri.
- For at undgå risikoen skal man læse manualen vedrørende udskiftning af batteriet inden brug. Og batteriets maksimale udløbsstrøm skal være større end eller lig med 8A.
- Det indeholder lithium-ion-batterier, som er underlagt kravene i lovgivningen om farligt gods. For erhvervsmæssig transport, f.eks. via tredjeparter eller fremsendelsesagenter skal særlige krav til emballering og mærkning overholdes. Ved forberedelse af forsendelse af varen er det nødvendigt at konsultere en ekspert i farligt materiale. Vær også opmærksom på mere detaljerede nationale bestemmelser. Blottede kontakter skal isoleres med tape eller andre midler, og batteriet skal pakkes på en sådan måde, at det ikke kan bevæge sig rundt i emballagen.
- Når batteripatronen kasseres, skal den fjernes fra værktøjet og bortskaffes på et sikkert sted. Følg de lokale regler for bortskaffelse af batterier.
- Brug kun batterierne sammen med de produkter, der er specificeret af Makita. Installation af batterier i ikke-kompatible produkter kan resultere i brand, ekstrem varmeudvikling, eksplosion eller lækage af elektrolyt. Hvis værktøjet ikke bruges i længere tid, skal batteriet fjernes fra værktøjet.

#### **⚠ ADVARSEL:**

- Fare for eksplosion, hvis batteriet udskiftes forkert.**
- Udskift kun med samme eller tilsvarende type.**
- Brug kun ægte Makita-batterier. Brug af uægte Makita-batterier eller batterier, der er modificerede, kan resultere i, at batteriet sprænges og forårsager brand, kvæstelser og andre skader. Det vil også ugyldiggøre Makita-garantien for Makita-værktøjet og opladeren.**

#### **Tips til at opretholde maksimal batterilevetid**

- Oplad batteripakken igen inden den er helt afladet. Hold op med at bruge værktøjet og oplad batteripakken, når du bemærker at værktøjets styrke mindskes.
- Oplad aldrig en batteripakke, som allerede er fuldt opladet. Overopladning forkorter batteriets levetid.
- Oplad batteripakken i omgivelser, der har en temperatur på 10 °C - 40 °C (50 °F - 104 °F). Lad en varm batteripakke køle ned, før den oplades.
- Oplad batteripakken, hvis du ikke bruger den i en længere periode (mere end seks måneder).

# DRIFTSTID

De batteripakker som passer til denne radio er opført i nedenstående tabel.

Nedenstående tabel viser hvor lang tid enheden kan fungere på en enkelt opladning.

Batterikapacitet	Batterispænding			VED HØJTTALER-OUTPUT = 100mW Enhed: Time (ca.)	
	10.8V –12Vmaks	14.4V	18V	I radio eller AUX	I Bluetooth + USB opladning
1.3 Ah		BL1415		3.5	0.7
			BL1815	4.0	1.0
1.5 Ah	BL1015 BL1016			5.5	0.8
		BL1415N BL1415NA		4.5	0.9
			BL1815N	5.0	1.2
2.0 Ah	BL1020B BL1021B			7.0	1.0
			BL1820 BL1820B	6.5	1.6
3.0 Ah		BL1430 BL1430B BL1430A		8.0	1.6
			BL1830 BL1830B	9.0	2.3
4.0 Ah	BL1040B BL1041B			14	2.1
		BL1440		12	2.5
			BL1840 BL1840B	13	3.2
5.0Ah		BL1450		15	3.0
			BL1850 BL1850B	16	4.2
6.0 Ah		BL1460B BL1460A		16	3.3
			BL1860B	20	5.0

## ADVARSEL:

Brug kun de batterier, der angives ovenfor. Brug af andre batterikassetter kan forårsage skade og/eller brand.

### Bemærk:

- Tabel vedrørende batteridriftstiden ovenfor er kun vejledende.
- Den faktiske driftstid kan afvige alt efter batteritypen, opladningsbetingelserne eller brugsmiljøet.
- Nogle af batterikassetterne og opladerne nævnt ovenfor er muligvis ikke tilgængelige afhængigt af hvor du bor.

# INSTALLATION OG STRØMFORSYNING (FIG.2)

## ⚠ ADVARSEL:

- Pas på ikke at klemme fingrene, når du åbner og lukker batteridækslet.
- Sæt batterirummets dæksel tilbage i den oprindelige position, efter at du har installeret eller fjernet batteripakken. Hvis ikke, kan batteripakken ved et uheld falde ud af radioen og forårsage skade på dig eller andre omkringstående personer.
- Luk og lås altid låget til batterirummet inden du flytter radioen.
- Sluk altid radioen, inden du tager batteripakken ud eller sætter den i.
- Pas på ikke at tabe radioen eller udsætte den for slag. Du risikere at skære dig på kabinettet, hvis det er revnet eller knækket. En beskadiget radio kan udvise uforudsigelig adfærd, der resulterer i brand, eksplosion eller risiko for kvæstelser.

## VIGTIGT:

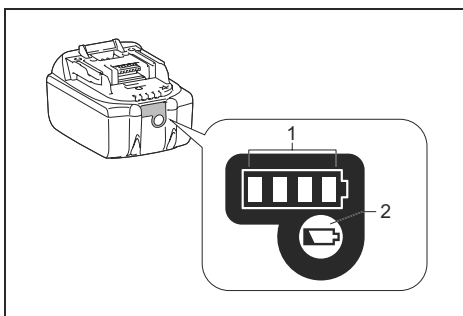
- Reduceret effekt, forvrængning, "hakkende lyd" eller visning af " ! Battery Low" på displayet, er alt sammen tegn på, at hovedbatteriet skal udskiftes.
- Batteripakken kan ikke oplades via den medfølgende netadapter.
- Batteripakken er ikke inkluderet som standardtilbehør.

## Montering eller fjernelse af skydebatteripakken (Fig. 3 og 4)

- Ved montering af batteripakken justeres tungen på batteripakken med rillen i huset, hvorefter pakken skubbes ind på plads. Sæt den altid hele vejen ind, indtil den låses på plads med et lille klik.
- Hvis den røde indikator øverst på knappen er synlig, er batteripakken ikke låst helt fast. Sæt den helt ind, indtil den røde indikator ikke er synlig. Ellers kan den falde ud af radioen og skade dig eller andre personer i nærheden.
- Brug ikke magt ved isætning af batteripakken. Hvis den ikke glider let ind, er den ikke indsat korrekt.
- For at fjerne batteripakken skal du skyde den ud af radioen, mens du benytter knappen på forsiden af pakken.

## Angivelse af den resterende batterikapacitet

\* Kun for batteripakker med "B" til sidst i modelnummeret



## ➤ 1. Indikatorlamper 2. Kontrolknop

Tryk på kontrolknappen på batteripakken for at få angivet den resterende batterikapacitet. Indikatorlamperne lyser i nogle få sekunder.

### • 14,4V/18V batterier

Indikatorlamper			Resterende kapacitet
Tændt	Slukket	Blinker	
■	■	■	75% ~ 100%
■	■	□	50% ~ 75%
■	□	□	25% ~ 50%
■	□	□	0% ~ 25%
◼	□	□	Lad batteriet op
■	□	□	Batteriet kan være defekt
□	□	■	

### • 10,8V-12V maks. batterier

Indikatorlamper			Resterende kapacitet
Tændt	Slukket	Blinker	
■	■	■	75% ~ 100%
■	■	□	50% ~ 75%
■	□	□	25% ~ 50%
■	□	□	0% ~ 25%

## BEMÆRK:

Afhængigt af betingelserne for anvendelse og den omgivende temperatur, kan indikationen dog afvige lidt fra den faktiske kapacitet.

## Brug af den medfølgende vekselstrømsadapter

Fjern gummibeskyttelsen og sæt adapterstikket i jævnstrømsstikket på højre side af radioen. Sæt adapteren i en stikkontakt med netstrøm. Når adapteren bruges, afbrydes forbindelsen til batteripakken automatisk.

### ⚠ ADVARSEL:

- **Afbryd altid forbindelsen til netadapteren helt, inden du flytter radioen. Hvis forbindelsen til vekselstrømsadapteren ikke er fuldstændigt afbrudt, kan det forårsage elektrisk stød.**
- **Træk aldrig i adapterens ledning. Hvis man gør det kan radioen ved et uheld falde ned og forårsage skade på dig eller andre i nærheden.**

### VIGTIGT:

- Strømadapteren bruges til at forbinde radioen til strømforsyningsnettet. Den stikkontakt, der sluttes til radioen, skal forblive tilgængelig under normal brug.
- For at afbryde radioen, skal netadapteren fjernes helt fra stikkontakten.
- Brug udelukkende den netadapter der følger med produktet, eller som er angivet af Makita.
- Undlad at komme forsyningskabel eller stik i munden. Det kan medføre elektrisk stød.
- Undlad at berøre stikket med våde eller fedtede hænder.
- Beskadigede eller sammenfiltrede ledninger øger risikoen for elektrisk stød. Hvis ledningen er beskadiget, skal den udskiftes af vores autoriserede servicecenter for at undgå en sikkerhedsrisiko. Brug den ikke før reparation.
- Efter brug skal du altid placere lysnetadapteren uden for børns rækkevidde. Hvis børn leger med ledningen, kan de komme til skade.

## Opladning med USB-strømforsyningsport

Der er en USB-port foran på radioen. Du kan oplade en USB-enhed via USB-porten.

1. Tilslut en USB-enhed, som f.eks. en MP3- eller CD-afspiller, med et USB-kabel, der fås i handlen.
2. Tryk på tænd/sluk-knappen for at tænde for din radio.
3. Uanset om radioen er tilsluttet vekselstrøm eller batteridrevet, kan radioen oplade USB-enheden, når radioen er tændt og indstillet til DAB/FM-radio-tilstand eller er i BT-tilstand eller AUX-tilstand, hvilket vises, når en ekstern lydkilde er tilsluttet.

### Bemærk:

- Den maksimale lydstyrke for højttalerens udgangseffekt reduceres, når din USB oplader.
- USB-stikket kan maksimalt levere en elektrisk strøm på 5V/2.4A.

### Vigtigt:

- Inden du tilslutter USB-enheden til USB-porten, skal du altid sikkerhedskopiere dataene på USB-enheden. Ellers er der mulighed for, at du kan miste dine data.
- Radioen forsyner muligvis ikke strøm til visse USB-enheder.
- Når den ikke anvendes eller efter opladning, skal du fjerne USB-kablet og lukke dækslet.
- Tilslut ikke nogen strømkilde til USB-porten. Ellers er der risiko for brand. USB-porten er kun beregnet til opladning af lavspændingsenhed. Placer altid dækslet på USB-porten, når lavspændingsenheden ikke oplades.
- Stik ikke søm, wire e.l. ind i USB-strømforsyningsporten. Ellers kan en kortslutning medføre røgudvikling og brand.
- Forbind ikke dette USB-stik med USB-porten på din computer, da det højst sandsynligt vil medføre sammenbrud på begge enheder.

## LYTTE TIL RADIOEN

Radioen har tre kanalsøgningsmetoder - automatisk kanalsøgning, manual kanalsøgning og forprogrammerede kanaler.

### Valg af station – DAB

#### Bemærk:

DAB-antennen er indbygget i håndtaget. Når du betjener radioen, skal du placere håndtaget korrekt over radioen for at få bedre modtagelse.

1. Tryk på tænd/sluk-knappen for at tænde for din radio.
2. Vælg DAB-tilstand ved at trykke på bånd-knappen.
3. Tryk på Tuning-kontrolknappen for at åbne listen over stationer. Eller du kan trykke på knappen Avancerede indstillinger og drej derefter Tuning-kontrolknappen for at vælge "Station List". Tryk på Tuning-kontrolknappen for at åbne listen over stationerne.
4. Drej på Tuning-kontrolknappen for at blade gennem listen over tilgængelige stationer. Tryk på Tuning-kontrolknappen for at vælge stationen.
5. Juster det ønskede volumen ved at dreje på Lydstyrkeknapen.

### Displaytilstande - DAB

Din radio har en række displayindstillinger i DAB-tilstanden.

Tryk på knappen Info for at blade gennem de forskellige muligheder.

- a. **Dynamic Label Segment** Supplerende datatjenester i tekstform (op til 128 tegn), der kører samtidig med DAB eller DAB+ radioprogrammet. Viser rullende tekstbeskeder om f.eks. Kunstner/ sporet titel, telefonnummer osv.
- b. **Programtype** Viser hvilken type station der lyttes til, f.eks. Pop, Classic, News, osv.
- c. **Multiplex navn** Viser navnet på den DAB multiplex, som den aktuelle station tilhører.
- d. **Frekvens og kanal** Viser frekvensen og kanalnummeret for den aktuelt indstillede DAB-station.
- e. **Signalfejl/styrke** Viser signalfejl og styrke for den station, der lyttes til. Et lavere fejlnummer angiver en bedre kvalitet for radiosignalet.
- f. **Bitrate/Lydtype** Viser den digitale lydbyhastighed og lydtype for den aktuelt indstillede DAB-station.
- g. **Dato** Viser den aktuelle dato.

Hvis en DAB-udsendelse leverer et diashowbillede, kan dette vises i fuld skærm ved at man trykker og hold på Tuning-kontrolknappen. Hvis den udsendelse der modtages er i stereo, vises stereohøjttalersymbolet nederst på displayet.

## Finde nye stationer - DAB

Fra tid til anden kan nye DAB-radiostationer blive tilgængelige. Eller du er muligvis flyttet til en anden del af landet. Når det er tilfældet skal du muligvis aktivere din radio for at scanne efter nye stationer.

For at få radioen til at finde de tilgængelige stationer, anbefales det at man udfører en fuld scanning af alle DAB Band III-frekvenserne.

1. Tryk på tænd/sluk-knappen for at tænde for din radio.
2. Tryk på bånd-knappen for at vælge DAB-radiomodus.
3. Tryk på knappen Auto tune for at starte scanningen. Displayet viser "Scanning", og din radio udfører en scanning af DAB Band III-frekvenserne. Når der findes nye stationer forøges stationstælleren, og stationerne bliver tilføjet til listen. Søjlediagrammet angiver scanningsforløbet.

## Manuel tuning - DAB

Manuel tuning gør det muligt at indstille din radio til en bestemt DAB-frekvens i Band III. Denne funktion kan også bruges til at hjælpe med at placere antennen eller radioen for at optimere modtagelsen af en bestemt kanal eller frekvens.

1. Når du er i DAB-tilstand, skal du trykke på knappen Avancerede indstillinger for at åbne menuindstillingen.

2. Drej på Tuning-kontrolknappen for at vælge "Manuel Tuning". Tryk på Tuning-kontrolknappen for at åbne manuel tuning.
3. Drej på Tuning-kontrolknappen for at vælge den ønskede DAB-kanal. Tryk på Tuning-kontrolknappen for at bekræfte den valgte frekvens.

## Dynamic Range Control (DRC) - DAB

DRC-funktionen reducerer lydsignalets dynamiske område for at gøre det lettere at høre lave lyde, når din radio bruges i et støjende miljø. Der er tre kompressionsniveauer:

- 1 Maksimal kompression.
- 1/2 Medium kompression.
- 0 Ingen kompression.

1. Når radioen er i DAB-tilstand, skal du trykke på knappen Avancerede indstillinger for at åbne menuindstillingen.
2. Drej Tuning-kontrolknappen for at vælge "DRC". Tryk derefter på Tuning-kontrolknappen for at åbne indstillingen. Displayet viser den aktuelle DRC-værdi.
3. Drej Tuning-kontrolknappen for at vælge den ønskede DRC-indstilling.
4. Tryk på Tuning-kontrolknappen for at bekræfte indstillingen.

## Opsætning af stationsrækkefølge - DAB

Din radio har 3 indstillinger for stationsrækkefølge, som du kan vælge imellem. Stationsrækkefølgen kan være alfanumerisk, ensemble og gyldig station.

1. Når du er i DAB-tilstand, skal du trykke på knappen Avancerede indstillinger for at åbne menuindstillingen.
2. Drej Tuning-kontrolknappen for at vælge "" (Stationsrækkefølge), og tryk derefter på Tuning-kontrolknappen for at åbne indstillingen.
3. Drej Tuning-kontrolknappen for at vælge følgende indstillinger, og tryk på Tuning-kontrolknappen for at bekræfte indstillingen.

Alfanumerisk	Sorterer stationslisten alfanumerisk 0 ... 9 A ... Z.
Ensemble	Organiserer stationslisten efter DAB-multiplex.
Gyldig	Viser kun de stationer, for hvilke der kan findes et signal.

## Scan tuning - FM

### Bemærk:

FM-antennen er indbygget i håndtaget. Når du betjener radioen, skal du placere håndtaget korrekt over radioen for at få bedre modtagelse.

1. Tryk på tænd/sluk-knappen for at tænde for din radio.



- Tryk på Bånd-knappen for at vælge FM radiotilstand.
  - Tryk på knappen Auto tune, og radioen vil søge og stoppe automatisk, når den finder en radiostation.
  - Efter et par sekunder opdateres displayet. Displayet viser frekvensen af det fundne signal. Hvis signalet er stærkt nok, og der er RDS-data til stede, viser radioen stationens navn.
  - For at finde anden station skal man trykke på Auto tune-knappen igen.
  - Når slutningen af frekvensbåndet er nået, vil din radio genoptage tuning fra den modsatte ende af frekvensbåndet.
  - Drej på Lydstyrkeknappen for at justere lydniveauet efter behov.
- Bemærk:**  
Lydstyrken bør ikke være for høj. For at forhindre mulige høreskader må du ikke lytte ved høj lydstyrke i lange perioder.
- Tryk på tænd/sluk-knappen for at slukke for din radio.

### Manuel tuning - FM

- Tryk på tænd/sluk-knappen for at tænde for din radio.
- Tryk på Bånd-knappen for at vælge FM radiotilstand.
- Tryk på Tuning-kontrolknappen at skifte til tuning kontroltilstand.
- Drej Tuning-kontrolknappen for at finde din ønskede station.
- For at justere lydstyrken skal du trykke på Tuning-kontrolknappen igen for at skifte til lydstyrke kontroltilstand.
- Drej Lydstyrkeknappen for at justere lydniveauet efter behov.

### Displayfunktioner - FM(RDS)

Din radio har en række displayindstillinger for FM-radio. RDS-indikatoren nederst på displayet viser, at der er RDS-data i den udsendelse, der modtages. Stereohøjtaler-displayet viser, at radioen modtager en stereotransmission.

Tryk gentagne gange på Info-knappen for at se RDS (Radio Data System) oplysninger om den station, du lytter til.

- |                |   |
|----------------|---|
| a. Radiotekst  | Viser radiotekstmeddelelser såsom nye elementer mv.   |
| b. Programtype | Viser hvilken type station der lyttes til, f.eks. Pop, Classic, News, osv.  |
| c. Frekvens    | Viser FM-signalet's frekvens. (Hvis der ikke er tilgængelige RDS-informationer, viser displayet "No Name" (Intet navn). |
| d. Lydtilstand | Viser den aktuelle lydtilstand.   |
| e. Dato        | Viser den aktuelle dato.  |

### FM scanningszone

Når du bruger FM-tilstand, kan din radio indstilles til at scanne enten lokale stationer eller til at scanne alle stationer, herunder fjernstationer.

- Når du er i FM-tilstand, skal du trykke på knappen Avanceret indstilling for at åbne menuindstillingen.
- Drej Tuning-kontrolknappen for at vælge "Scan zone". Tryk på Tuning-kontrolknappen for at åbne indstillingen. Den aktuelle lydindstilling er afmærket.
- Drej Tuning-kontrolknappen for at vælge "Local" (Kun stærke stationer) eller "Distant" (Alle stationer). Indstillingen distant (fjern) gør det muligt for radioen at finde svagere signaler, når der scannes.
- Tryk på Tuning-kontrolknappen for at bekræfte indstillingen. Indstillingen local eller distant (lokal eller fjern) gemmes i radioen og forbliver i kraft, indtil den ændres eller indtil systemet nulstilles.


### Stereo/Mono indstilling - FM

Hvis den FM-radiostationen, der lyttes til, har et svagt signal, kan man høre en vis susen. Det er muligt at reducere denne susen ved at indstille radioen til at afspille stationen i mono i stedet for stereo.

- Sørg for, at din radio er i FM-tilstand og indstil den ønskede FM-station.
- Tryk på knappen Avanceret indstilling for at åbne menuindstillingen.
- Drej Tuning-kontrolknappen for at vælge "Audio Setting" (Lydindstilling). Tryk på Tuning-kontrolknappen for at åbne indstillingen. Den aktuelle lydindstilling er afmærket.
- Drej Tuning-kontrolknappen for at vælge "Forced Mono (Tvungen Mono) eller "Stereo Allowed" (Stereo Tilladt). Tryk på Tuning-kontrolknappen for at bekræfte indstillingen.

### Forindstilling af stationer i DAB- og FM-tilstande

Der er 5 forudindstillede stationer for DAB-radio og 5 for FM-radio. De bruges på samme måde for hvert frekvensbånd.

- Tryk på tænd/sluk-knappen for at tænde for din radio.
- Tryk på Bånd knappen for at vælge det ønskede frekvensbånd. Indstil den ønskede radiostation som tidligere beskrevet.
- Tryk og hold den ønskede forudindstillingsknap, indtil displayet viser "Preset 1 saved" (Forudindstilling 1 gemt) (for eksempel).  vil blive vist ved nederst på skærmen. Stationen lagres derefter i den valgte forudindstillingsknap. Gentag denne efter behov procedure for de resterende forudindstillinger.
- Forvalgte stationer, der allerede er lagret, kan om nødvendigt overskrives ved at følge ovenstående procedure.

## Genkaldelse af en forudindstilling i DAB- og FM-tilstande

1. Tryk på tænd/sluk-knappen for at tænde for din radio.
2. Tryk på Bånd-knappen for at vælge DAB eller FM radiotilstand.
3. Tryk kortvarigt på den ønskede forudindstillingsknop for at indstille til din radio til en af de stationer, der er gemt i forudindstillingshukommelsen.

## DIVERSE INDSTILLINGER

### Automatisk opdatering af uret

Du kan angive, at radioen skal indstille uret fra DAB- eller FM-radioudsendelser. Efter et strømsvigt vil radioen derefter indstille sit ur næste gang du tænder radioen i DAB eller FM-tilstand.

1. Når radioen er tændt, skal du trykke på knappen Avanceret indstilling for at få adgang til menuen for den aktuelle tilstand.
2. Drej Tuning-kontrolknappen for at vælge "Time/Date" (Tid/dato). Tryk på Tuning-kontrolknappen for at åbne indstillingen.
3. Drej Tuning-kontrolknappen for at vælge "Auto Update" (Auto-opdatering). Tryk på Tuning-kontrolknappen for at åbne auto-opdateringsmenuen.
4. Drej Tuning-kontrolknappen for at vælge en opdateringsindstilling fra "from Any" (fra enhver), "from DAB" (fra DAB) eller "from FM" (fra FM) efter behov. Tryk på Tuning-kontrolknappen for at bekræfte dit valg. Den aktuelle indstilling afmærkes.

### Indstilling af urformat

1. Når radioen er tændt, skal du trykke på knappen Avanceret indstilling for at få adgang til menuen for den aktuelle tilstand.
2. Drej Tuning-kontrolknappen for at vælge "Time/Date" (Tid/dato). Tryk på Tuning-kontrolknappen for at åbne indstillingen.
3. Drej Tuning-kontrolknappen for at vælge "Set 12/24 Hour" (Indstil 12/24 timer). Tryk på Tuning-kontrolknappen for at angive urformatindstillingen. Det nuværende urformat er afmærket.
4. Drej Tuning-kontrolknappen for at vælge 12 eller 24 timers format. Tryk på Tuning-kontrolknappen for at bekræfte indstillingen. Hvis 12-timers urformat er valgt, vil radioen vise et 12-timers ur med en AM- eller PM-indikator.

### Indstilling af datoformat

1. Når radioen er tændt, skal du trykke på knappen Avanceret indstilling for at få adgang til menuen for den aktuelle tilstand.
2. Drej Tuning-kontrolknappen for at vælge "Time/Date"

(Tid/dato). Tryk på Tuning-kontrolknappen for at åbne indstillingen.

3. Drej Tuning-kontrolknappen for at vælge "Set Date Format" (Indstil datoformat). Tryk på Tuning-kontrolknappen for at åbne indstillingen.
4. Drej Tuning-kontrolknappen for at vælge datoformatet "DD-MM-AAAA" eller "MM-DD-AAAA". Tryk på Tuning-kontrolknappen for at bekræfte indstillingen.

### Loudness

Du kan kompensere lavere og højere lydfrekvenser på radioen ved at justere loudness-funktionen.

1. Når radioen er tændt, skal du trykke på knappen Avanceret indstilling for at få adgang til menuen for den aktuelle tilstand.
2. Drej Tuning-kontrolknappen for at vælge "Loudness". Tryk på Tuning-kontrolknappen for at åbne indstillingen.
3. Drej Tuning-kontrolknappen for at vælge "On" (Tændt) for at slå loudness-funktionen til. For at slukke for loudness-funktionen, skal man vælge "Off" (Slukket). Tryk på Tuning-kontrolknappen for at bekræfte indstillingen.

### Sprogvalg

Der er otte sprogindstillinger tilgængelige i radioen: Engelsk, tysk, italiensk, fransk, hollandsk, dansk, norsk og polsk.

1. Når radioen er tændt, skal du trykke på knappen Avanceret indstilling for at få adgang til menuen for den aktuelle tilstand.
2. Drej Tuning-kontrolknappen for at vælge "Sprog". Tryk på Tuning-kontrolknappen for at åbne indstillingen.
3. Drej Tuning-kontrolknappen for at vælge det ønskede sprog. Tryk på Tuning-kontrolknappen for at bekræfte indstillingen.

### Fabriksnulstilling

Hvis du ønsker at nulstille radioen helt til den oprindelige tilstand, kan man gøre det ved at følge denne procedure. Hvis man udfører en fabriksnulstilling slettes alle brugerindstillede indstillinger.

1. Når radioen er tændt, skal du trykke på knappen Avanceret indstilling for at få adgang til menuen for den aktuelle tilstand.
2. Drej Tuning-kontrolknappen for at vælge "Factory Reset" (Fabriksnulstilling). Tryk på Tuning-kontrolknappen for at åbne indstillingen.
3. Drej Tuning-kontrolknappen for at vælge "Yes" (Ja) eller "No" (Nej). Hvis du ikke ønsker at udføre en systemnulstilling, skal du vælge "No" (Nej) og derefter trykke på Tuning-kontrolknappen for at bekræfte indstillingen. Med "Ja" valgt, skal man trykke på Tuning-kontrolknappen. En fuld nulstilling vil blive

gennemført. Stationslisten og forudindstillingerne slettes. Alle indstillinger vil blive indstillet til deres standardværdier.

I tilfælde af funktionsfejl på grund af elektrostatisk udladning nulstilles produktet (tilslutning af strømkilde kan være påkrævet) for at genoptage normal drift.

## Mikro USB-port til softwareopgradering

Softwareopdateringer til din radio kan blive tilgængelige i fremtiden.

Når softwareopdateringer bliver tilgængelige, kan du finde software og oplysninger om, hvordan du opdaterer din radio, på **Makitas hjemmeside**.

1. Brug mikro USB-kablet (medfølger ikke) til at tilslutte USB-stikket i batterirummet og din pc.
2. Når radioen er tændt, skal du trykke på knappen Avanceret indstilling for at få adgang til menuen for den aktuelle tilstand.
3. Drej Tuning-kontrolknappen for at vælge "Software Update" (Softwareopdatering). Tryk på Tuning-kontrolknappen for at åbne indstillingen.
4. Drej Tuning-kontrolknappen for at vælge "Yes" (Ja) eller "No" (Nej). Hvis du ikke ønsker at foretage en softwareopgradering, skal du vælge "No" (Nej) og trykke på Tuning-kontrolknappen for at bekræfte indstillingen. Med "Ja" valgt, skal man trykke på Tuning-kontrolknappen. Displayet viser "Waiting for PC wizard" (Venter på pc-guiden). Gå til hjemmesiden for at downloade den nyeste software. På PC'en skal du følge de instruktioner på skærmen, der følger med opgraderingssoftwaren, for at fuldføre softwareopgraderingen.

### Bemærk:

Brug venligst vekselstrømsadapteren som strømforsyning, når du opgraderer softwaren. Sluk ikke for strømmen til radioen, før opdateringen er færdig, og radioen er genstartet, ellers kan enheden blive beskadiget permanent.

## Softwareversion

1. Når radioen er tændt, skal du trykke på knappen Avanceret indstilling for at få adgang til menuen for den aktuelle tilstand.
2. Drej Tuning-kontrolknappen for at vælge "Software Version". Tryk på Tuning-kontrolknappen for at få vist softwareversionen.

## Equalizer-funktion

Der er 7 typer farvede LED-indikatorer rundt om tuning-kontrolknappen, som angiver forskellige EQ-tilstande.

1. Tryk på tænd/sluk-knappen for at tænde for din radio.
2. Tryk på EQ-kontrolknappen for at åbne EQ-indstillingsmenuen.
3. Drej Tuning-kontrolknappen for at vælge den ønskede

tilstand. Tryk derefter på Tuning-kontrolknappen for at bekræfte valget.

EQ-tilstand	LED-indikator
FLAD	Hvid
JAZZ	Blå
ROCK	Rød
KLASSISK	Brun
POP	Lyserød
NYHEDER	Gul
MY EQ	Grøn

## Konfigurer My EQ-profil

1. Tryk på EQ-kontrolknappen for at åbne EQ-indstillingsmenuen.
2. Drej Tuning-kontrolknappen for at vælge "MY EQ Setup" (Min EQ-indstilling). Tryk derefter på Tuning-kontrolknappen for at åbne indstillingsmenuen.
3. Drej Tuning-kontrolknappen for at vælge indstillingen "Treble" (Diskant). Tryk på Tuning-kontrolknappen for at åbne indstillingen. Drej Tuning-kontrolknappen for at vælge det ønskede diskantniveau. Tryk på Tuning-kontrolknappen for at bekræfte indstillingen.
4. Drej Tuning-kontrolknappen for at vælge indstilling "Middle" (Mellem). Tryk på Tuning-kontrolknappen for at åbne indstillingen. Drej Tuning-kontrolknappen for at vælge det ønskede mellemtoneniveau. Tryk på Tuning-kontrolknappen for at bekræfte indstillingen.
5. Drej Tuning-kontrolknappen for at vælge indstillingen "Bass" (Bas). Tryk på Tuning-kontrolknappen for at åbne indstillingen. Drej Tuning-kontrolknappen for at vælge det ønskede basniveau. Tryk på Tuning-kontrolknappen for at bekræfte indstillingen.

### Bemærk:

Når du bruger equalizer til at forstærke bassen og afspiller med højt lydniveau, kan det forårsage knitrede og forvrænget lyd. I dette tilfælde skal du indstille en mere passende lydstyrke.

## LYTTE TIL MUSIK VIA BLUETOOTH-STREAMING

Du skal parre din Bluetooth-enhed med radio, før du automatisk kan oprette forbindelse og afspille/streamede Bluetooth-musik gennem radio. Parring skaber en "tilknytning", så to enheder kan genkende hinanden.

### Bemærk:

- For at få bedre lyd kvalitet anbefaler vi, at man indstiller lydstyrken til mere end to tredjedele af fuld lydstyrke på Bluetooth-enheden og derefter juster lydstyrken på radioen efter behov.
- Din radio kan huske op til 8 sæt af parrede enheder. Når antallet overstiger dette, vil den først parrede

enhed blive slettet fra hukommelsen.

## Parring af din Bluetooth-enheden for første gang

1. Tryk på tænd/sluk-knappen for at tænde radioen.  
Tryk på båndknappen for at vælge Bluetooth-tilstand. Displayet viser "BT Pair" (BT-pardannelse) og Forvalgsknapperne (1-5) blinker hvidt for at vise, at radioen kan opdades.
2. Aktivér Bluetooth på din enhed i henhold til enhedens brugermanual for at knytte den til radioen. Find Bluetooth-enhedslisten, og vælg den enhed, der hedder "DMR115" (På nogle mobilere, der er udstyret med tidligere versioner end BT2.1 Bluetooth-enheden, skal du muligvis indtaste adgangskoden "0000").
3. Når der er oprettet forbindelse, vil der lyde en bekræftelsestone. Forudindstillingsknapperne (1-5) lyser fortsat konstant hvidt. Du kan nu vælge og afspille musik fra din kildeenhed. Lydstyrkekontrollen kan justeres fra din kildeenhed, eller direkte fra radioen.
4. Brug kontrolelementerne på din Bluetooth-aktiverede enhed eller på radioen at afspille/pause og navigere mellem spor.

### Bemærk:

- Hvis der er tale om 2 Bluetooth-enheder, som skal parres for første gang, kan du søge efter radioen på dem begge, den vil være tilgængelig på begge enheder. Men hvis den ene enhed opretter forbindelse med denne enhed først, vil den ikke være at finde den på listen på den anden Bluetooth-enheden.
- Hvis din Bluetooth-enheds forbindelse til din radio midlertidigt afbrydes, skal du genoprette enhedens forbindelse til radioen manuelt.
- Hvis "DMR115" vises i din Bluetooth-enheds liste, men enheden ikke kan oprette forbindelse til den, skal du slette elementet fra listen og parre enheden med radioen igen ved at følge de trin, som er beskrevet ovenfor.
- Den optimale Bluetooth-rækkevidde er ca. 10 meter (uden hindringer) til radioen, men en afstand på op til 30 meter er mulig.
- Hvis Bluetooth-forbindelsen går tabt på grund af overskridelse af den optimale rækkevidde, forhindringer eller andre årsager, kan det være nødvendigt at tilslutte enheden til radioen igen.
- Fysiske hindringer, andre trådløse enheder eller elektromagnetiske enheder kan påvirke forbindelseskvaliteten.
- Bluetooth-forbindelsens ydelse kan variere afhængigt af de tilsluttede Bluetooth-enheder. Undersøg enhedens Bluetooth-funktionalitet, inden du slutter den til din radio. Det er måske ikke alle funktioner der understøttes på visse parrede Bluetooth-enheder.

## Afspilning af lydfiler i Bluetooth-tilstand

Når du har oprettet forbindelse mellem radioen og den valgte Bluetooth-enheden, kan du begynde at afspille din musik ved hjælp af knapperne på din tilsluttede Bluetooth-enheden.

1. Når afspilning er begyndt, kan man justere lydstyrken til det ønskede niveau med lydstyrke-knapperne på radioen eller på den aktiverede Bluetooth-enheden.
2. Brug kontrollerne på din Bluetooth-kilde enhed til at afspille/pause og navigere i numre. Du kan også styre afspilningen ved hjælp af knapperne afspilning/pause, næste spor, tidligere spor på din radio .
3. Tryk og hold på knappen Hurtigt frem eller Spol tilbage for at spole gennem det aktuelle spor. Slip knappen, når det ønskede punkt er nået.

### Bemærk:

- Nogle afspillere eller enheder reagerer muligvis ikke på alle disse kontroller.
- Nogle mobiltelefoner afbryder midlertidigt forbindelsen til din radio, når du foretager eller modtager opkald. Nogle enheder dæmper midlertidigt deres Bluetooth-lydafspilning, når de modtager SMS-beskeder, e-mails eller af andre grunde, som ikke er relateret til lyd streaming. Sådanne effekter stammer fra den tilsluttede enhed, og indikerer ikke at der er noget i vejen med din radio.

## Afspilning af en tidligere parret Bluetooth-kildeenhed

Hvis din Bluetooth-enheden allerede er blevet parret med radioen tidligere, vil enheden huske din Bluetooth-enheden, og den vil forsøge at genoprette forbindelsen med en enhed i hukommelsen, som tidligere er blevet tilsluttet. Hvis den senest tilsluttede enhed ikke er tilgængelig, vil radioen være synlig for andre Bluetooth-enheder.

## Afbryde forbindelsen til din Bluetooth-enheden

Tryk og hold Bluetooth-parringsknappen nede i 2-3 sekunder indtil "BT Pair" (BT par) vises på displayet eller sluk for Bluetooth på din Bluetooth-enheden for at deaktivere forbindelsen.

Du kan også trykke på Bånd-knappen for at vælge en anden tilstand end Bluetooth-tilstand for at deaktivere forbindelsen.

## Sletning af enhedshukommelse for Bluetooth-pardannelse

For at rydde hukommelsen for alle parrede enheder skal du trykke på Bluetooth-parringsknappen og holde den inde i mere end 7 sekunder, indtil "Clearing" (Sletter) vises på displayet.

## AUX-INDGANGSSTIK

En 3,5 mm AUX-indgang findes på forsiden af radioen. Den kan bruges til at overføre signaler fra en ekstern lydenhed som f.eks. en mp3- eller cd-afspiller.

1. Tilslut en ekstern lydkilde (for eksempel MP3 eller CD-afspiller) til AUX IN-stikket.
2. Tryk på tænd/sluk-knappen for at tænde for din radio.
3. Tryk på og slip gentagne gange bånd-knappen, indtil "AUX IN" vises.
4. For at få bedre lyd kvalitet anbefaler vi, at man indstiller lydstyrken til mere end to tredjedele af fuld lydstyrke på enheden og juster derefter lydstyrken på radioen efter behov.

### BEMÆRK:

Lydkablet er ikke inkluderet som standardtilbehør.

## VEDLIGEHOLDELSE

### ⚠ FORSIGTIG:

- Brug aldrig benzin, benzen, fortynder, alkohol eller lignende. Det kan muligvis medføre misfarvning, deformation eller revner.
- Vask ikke radioen med vand.

## SPECIFIKATIONER

Strømkrav	
Vekselstrømsadapter	DC 12V 2,5A, centerpin positiv
Batteri	Batteripatron: 10,8V - 18V
Frekvensdækning	FM87,50-108MHz (0,05 MHz/trin) DAB/DAB+ 174.928-239.200 MHz
DAB/DAB+ kanalblok	DAB (Band III) 5A-13F
Kompatibel standard	DAB/DAB+

Bluetooth®	
(The Bluetooth®-ordmærket og logoerne er registrerede varemærker ejet af Bluetooth SIG, Inc.)	
Bluetooth-version	5.0 certificeret
Bluetooth-profiler	A2DP/SCMS-T/AVRCP
Sendekraft	Effektklasse 2
Senderækkevidde	Optimal: Maks. 10 meter (33 fod) Mulig: Maks. 30 meter (100 fod) (varierer afhængigt af brugsbetingelserne)
Bluetooth Codec	SBC, AAC
Maksimal radiofrekvens- effekt	BT EDR: 1.91dBm BT LE: 0.21dBm
Driftsfrekvens	2402MHz~2480MHz

Kredsløbsfunktion	
Højttaler	2,5 tommer 8 ohm x 2 4 tommer 6 ohm x 1
Udgangseffekt	10,8V-12Vmax: 2W x 2 + 10W 14,4V: 3W x 2 + 15W 18V: 5W x 2 + 25W
Indgangsterminal	3,5 mm dia. (AUX IN)
Antennesystem	DAB/FM: Indbygget antenne
Dimensioner (L x B x H)	268 x 164 x 295 mm
Vægt	4,8 KG (uden batteri)

## ΕΛΛΗΝΙΚΑ (Πρωτότυπες οδηγίες)

### ΕΠΕΞΗΓΗΣΗ ΤΗΣ ΓΕΝΙΚΗΣ ΑΠΟΨΗΣ (Εικ1)

1. Λαβή/Ενσωματωμένη κεραία(DAB/FM)
2. Ντουλάπι θήκης μπαταρίας
3. Κάλυμμα θήκης μπαταρίας (κάλυψη της κασέτας μπαταρίας)
4. Ηχείο
5. Υποδοχή DC IN
6. Subwoofer
7. Κουμπί ενεργοποίησης
8. Κουμπί μπάντας
9. Κουμπί σύνθετης ρύθμισης
10. Κουμπί πληροφοριών
11. Φωτεινή ένδειξη LED
12. Κουμπί προεπιλογής 3/Αναπαραγωγή/Παύση
13. Κουμπί προεπιλογής 5
14. Κουμπί προεπιλογής 4/Επόμενου κομματιού/  
Γρήγορης προώθησης
15. Κουμπί Έντασης ήχου/Συντονισμού/Επιλογής
16. Κουμπί ελέγχου EQ
17. Υποδοχή AUX IN
18. Θύρα τροφοδοσίας USB
19. Κουμπί αυτόματου συντονισμού
20. Ένδειξη LED λειτουργίας EQ
21. Κουμπί προεπιλογής 2/Προηγούμενου  
κομματιού/Ανατύλιξης
22. Προεπιλογή 1/Κουμπί αντιστοίχισης Bluetooth
23. Οθόνη LCD
24. Χώρος μπαταρίας
25. Θύρα Micro USB για αναβάθμιση λογισμικού

### ΣΥΜΒΟΛΑ

Τα παρακάτω απεικονίζουν τα σύμβολα που χρησιμοποιούνται για τον εξοπλισμό. Βεβαιωθείτε ότι έχετε κατανοήσει τη σημασία τους πριν από τη χρήση.



Διαβάστε το εγχειρίδιο οδηγιών.



Μόνο για τις χώρες της ΕΕ.  
Μην απορρίπτετε ηλεκτρικό εξοπλισμό ή μπαταρίες μαζί με τα οικιακά απορρίμματα! Σύμφωνα με τις ευρωπαϊκές οδηγίες για τα απόβλητα ηλεκτρικού και ηλεκτρονικού εξοπλισμού και μπαταριών και συσσωρευτών και αποβλήτων μπαταριών και συσσωρευτών και την εφαρμογή τους σύμφωνα με την εθνική

νομοθεσία, τον ηλεκτρικό εξοπλισμό και τις μπαταρίες και τους συσσωρευτές που έχουν φθάσει στο τέλος της ζωής τους, πρέπει να τον συλλέγετε ξεχωριστά και να τον επιστρέψετε σε περιβαλλοντικά συμβατή εγκατάσταση ανακύκλωσης.

### ΣΗΜΑΝΤΙΚΕΣ ΟΔΗΓΙΕΣ ΑΣΦΑΛΕΙΑΣ

#### **⚠ ΠΡΟΕΙΔΟΠΟΙΗΣΗ:**

Όταν χρησιμοποιείτε ηλεκτρικά εργαλεία, θα πρέπει πάντα να τηρείτε τις βασικές προφυλάξεις ασφαλείας για να μειώσετε τον κίνδυνο πυρκαγιάς, ηλεκτροπληξίας και τραυματισμού, συμπεριλαμβανομένων των εξής:

1. Διαβάστε προσεκτικά αυτό το εγχειρίδιο οδηγιών και το εγχειρίδιο οδηγιών του φορτιστή πριν τη χρήση.
2. Καθαρίζετε μόνο με στεγνό πανί.
3. Μην εγκαθιστάτε κοντά σε πηγές θερμότητας όπως θερμαντικά σώματα, θερμαντήρες, σόμπες ή άλλες συσκευές (συμπεριλαμβανομένων των ενισχυτών) που παράγουν θερμότητα.
4. Χρησιμοποιείτε μόνο εξαρτήματα/αξεσουάρ που καθορίζονται από τον κατασκευαστή.
5. Αποσυνδέστε τη συσκευή από το ρεύμα κατά τη διάρκεια καταιγίδων με κεραυνούς ή όταν δεν χρησιμοποιείται για μεγάλες χρονικές περιόδους.
6. Ένα ραδιόφωνο μπαταρίας με ενσωματωμένες μπαταρίες ή ξεχωριστή μπαταρία πρέπει να επαναφορτίζεται μόνο με τον καθορισμένο φορτιστή για την μπαταρία. Ένας φορτιστής που μπορεί να είναι κατάλληλος για έναν τύπο μπαταρίας μπορεί να δημιουργήσει κίνδυνο πυρκαγιάς όταν χρησιμοποιείται με άλλη μπαταρία.
7. Χρησιμοποιήστε ραδιόφωνο που λειτουργεί με μπαταρία μόνο με ειδικές μπαταρίες. Η χρήση οποιονδήποτε άλλων μπαταριών μπορεί να δημιουργήσει κίνδυνο πυρκαγιάς.
8. Όταν η μπαταρία δεν χρησιμοποιείται, κρατήστε την μακριά από άλλα μεταλλικά αντικείμενα όπως: συνδετήρες, νομίσματα, κλειδιά, καρφιά, βίδες ή άλλα μικρά μεταλλικά αντικείμενα που μπορούν να συνδέσουν τον ένα ακροδέκτη με τον άλλο. Το βραχυκύκλωμα των ακροδεκτών της μπαταρίας μπορεί να προκαλέσει σπινθήρες, εγκαύματα ή πυρκαγιά.
9. Αποφύγετε την επαφή του σώματος με γειωμένες επιφάνειες, όπως σωλήνες, θερμαντικά σώματα, κουζίνες και φυγεία. Υπάρχει αυξημένος κίνδυνος ηλεκτροπληξίας εάν το σώμα σας είναι γειωμένο.
10. Σε καταρρηκτικές συνθήκες, μπορεί να εκτοξευθεί υγρό από την μπαταρία· αποφύγετε την επαφή. Σε περίπτωση τυχαίας επαφής, ξεπλύνετε με νερό.

Αν το υγρό έρθει σε επαφή με τα μάτια, ζητήστε επιπλέον ιατρική βοήθεια. Το υγρό που εκτοξεύεται από την μπαταρία μπορεί να προκαλέσει ερεθισμό ή εγκαύματα.

- Μην χρησιμοποιείτε μπαταρία ή εργαλείο που είναι κατεστραμμένο ή τροποποιημένο. Οι κατεστραμμένες ή τροποποιημένες μπαταρίες ενδέχεται να παρουσιάζουν απρόβλεπτη συμπεριφορά με αποτέλεσμα πυρκαγιά, έκρηξη ή κίνδυνο τραυματισμού.
- Μην εκθέτετε μπαταρία ή εργαλείο σε φωτιά ή υπερβολική θερμοκρασία. Η έκθεση σε φωτιά ή η θερμοκρασία πάνω από 130 °C (266 °F) μπορεί να προκαλέσει έκρηξη.
- Ακολουθήστε όλες τις οδηγίες φόρτισης και μην φορτίζετε την μπαταρία ή το εργαλείο εκτός του εύρους θερμοκρασίας που καθορίζεται στις οδηγίες. Η λανθασμένη φόρτιση ή σε θερμοκρασίες εκτός του καθορισμένου εύρους μπορεί να καταστρέψει την μπαταρία και να αυξήσει τον κίνδυνο πυρκαγιάς.
- Το φιλς ΡΕΥΜΑΤΟΣ χρησιμοποιείται ως διάταξη αποσύνδεσης και πρέπει να είναι άμεσα προσβάσιμο.
- Μην χρησιμοποιείτε το προϊόν σε υψηλή ένταση για μεγάλο χρονικό διάστημα. Για να αποφύγετε βλάβες της ακοής, χρησιμοποιήστε το προϊόν σε μέτρια επίπεδα έντασης ήχου.
- (Για προϊόντα με οθόνη LCD μόνο) Οι οθόνες LCD περιλαμβάνουν υγρό που μπορεί να προκαλέσει ερεθισμό και δηλητηρίαση. Εάν το υγρό εισχωρήσει στα μάτια, το στόμα ή το δέρμα, ξεπλύνετε με νερό και καλέστε γιατρό.
- Μην εκθέτετε το προϊόν σε βροχή ή σε υγρές συνθήκες. Η διείσδυση νερού στο προϊόν θα αυξήσει τον κίνδυνο ηλεκτροπληξίας.
- Το προϊόν αυτό δεν προορίζεται για χρήση από άτομα (συμπεριλαμβανομένων παιδιών) με μειωμένες σωματικές, αισθητηριακές ή διανοητικές ικανότητες ή έλλειψη εμπειρίας και γνώσης, εκτός εάν τους παρασχεθούν επίβλεψη ή οδηγίες σχετικά με τη χρήση του προϊόντος από άτομο υπεύθυνο για την ασφάλειά τους. Τα παιδιά θα πρέπει να επιβλέπονται για να βεβαιωθείτε ότι δεν παίζουν με το προϊόν. Αποθηκεύστε το προϊόν μακριά από παιδιά.

## ΦΥΛΑΞΤΕ ΑΥΤΕΣ ΤΙΣ ΟΔΗΓΙΕΣ

## ΕΙΔΙΚΟΙ ΚΑΝΟΝΕΣ ΑΣΦΑΛΕΙΑΣ

### ΓΙΑ ΚΑΣΕΤΑ ΜΠΑΤΑΡΙΑΣ

- Πριν χρησιμοποιήσετε την κασέτα μπαταρίας, διαβάστε όλες τις οδηγίες και τις προειδοποιητικές ενδείξεις σε (1) φορτιστή μπαταρίας, (2) μπαταρία και (3) προϊόν που χρησιμοποιεί τη μπαταρία.
- Μην αποσυναρμολογείτε την κασέτα μπαταρίας.
- Εάν ο χρόνος λειτουργίας έχει μειωθεί υπερβολικά, σταματήστε αμέσως τη χρήση. Μπορεί να προκύψει κίνδυνος υπερθέρμανσης, πιθανών εγκαυμάτων και ακόμη και έκρηξης.
- Αν ο ηλεκτρολύτης πέσει στα μάτια σας, ξεπλύνετε τα με καθαρό νερό και αναζητήστε αμέσως ιατρική βοήθεια. Μπορεί να οδηγήσει σε απώλεια της όρασης.
- Μην βραχυκυκλώνετε την κασέτα μπαταρίας:
  - Μην αγγίζετε τους ακροδέκτες με οποιοδήποτε αγώγιμο υλικό.
  - Αποφύγετε την αποθήκευση της κασέτας μπαταρίας σε δοχείο με άλλα μεταλλικά αντικείμενα όπως καρφιά, νομίσματα κλπ.
  - Μην εκθέτετε την κασέτα μπαταρίας σε νερό ή βροχή. Η βραχυκύκλωσή της μπορεί να προκαλέσει μεγάλη ροή ρεύματος, υπερθέρμανση, πιθανά εγκαύματα και ακόμη και βλάβη.
- Μην αποθηκεύετε το εργαλείο και την κασέτα μπαταρίας σε σημεία όπου η θερμοκρασία μπορεί να φτάσει ή να ξεπεράσει τους 50 °C (122 °F).
- Μην αποτεφρώνετε την κασέτα μπαταρίας, ακόμη και αν έχει υποστεί σοβαρή ζημιά ή είναι εντελώς φθαρμένη. Η κασέτα μπαταρίας μπορεί να εκραγεί σε περίπτωση πυρκαγιάς.
- Προσέξτε να μην σας πέσει ή να χτυπήσει η μπαταρία.
- Μην χρησιμοποιείτε φθαρμένη μπαταρία.
- Για να αποφύγετε τον κίνδυνο, θα πρέπει να διαβάσετε το εγχειρίδιο αντικατάστασης της μπαταρίας πριν από τη χρήση. Και το μέγιστο ρεύμα αποφόρτισης της μπαταρίας πρέπει να είναι μεγαλύτερο ή ίσο με 8Α.
- Οι μπαταρίες ιόντων λιθίου που περιλαμβάνονται υπόκεινται στις απαιτήσεις της νομοθεσίας περί επικίνδυνων εμπορευμάτων. Για τις εμπορικές μεταφορές, π.χ. από τρίτους, μεταφορείς, πρέπει να τηρούνται οι ειδικές απαιτήσεις συσκευασίας και επισήμανσης.

Για την προετοιμασία του αντικειμένου που αποστέλλεται, απαιτείται η συμβουλή ειδικού για επικίνδυνα υλικά. Τηρήστε επίσης ενδεχομένως πιο λεπτομερείς εθνικούς κανονισμούς.

Βγάλτε ή αποκρύψτε τις ανοιχτές επαφές και

συσκευάστε την μπαταρία με τέτοιο τρόπο ώστε να μην μπορεί να μετακινηθεί στη συσκευασία.

12. Κατά την απόρριψη της κασέτας μπαταρίας, αφαιρέστε την από το εργαλείο και απορρίψτε την σε ασφαλές μέρος. Ακολουθήστε τους τοπικούς κανονισμούς σχετικά με τη διάθεση της μπαταρίας.
13. Χρησιμοποιείτε τις μπαταρίες μόνο με τα προϊόντα που καθορίζει η Makita. Η τοποθέτηση των μπαταριών σε μη συμμορφούμενα προϊόντα μπορεί να προκαλέσει πυρκαγιά, υπερβολική θερμότητα, έκρηξη ή διαρροή ηλεκτρολύτη.  
Εάν το εργαλείο δεν χρησιμοποιείται για μεγάλο χρονικό διάστημα, η μπαταρία πρέπει να αφαιρεθεί από το εργαλείο.

**⚠ ΠΡΟΣΟΧΗ:**

- **Κίνδυνος έκρηξης σε περίπτωση λανθασμένης αντικατάστασης της μπαταρίας.**
- **Αντικαταστήστε μόνο με τον ίδιο ή ισοδύναμο τύπο.**
- **Χρησιμοποιείτε μόνο γνήσιες μπαταρίες Makita. Η χρήση μη γνήσιων μπαταριών Makita ή αλλοιωμένων μπαταριών ενδέχεται να προκαλέσει έκρηξη της μπαταρίας προκαλώντας πυρκαγιές, τραυματισμούς και ζημιές. Θα ακυρώσει επίσης την εγγύηση της Makita για το εργαλείο Makita και τον φορτιστή.**

## **Συμβουλές για τη μέγιστη διάρκεια ζωής της μπαταρίας**

1. Φορτίστε την κασέτα της μπαταρίας πριν αποφορτιστεί πλήρως. Να σταματάτε πάντα τη λειτουργία του εργαλείου και να φορτίζετε την κασέτα μπαταρίας όταν παρατηρήσετε λιγότερη ισχύ του εργαλείου.
2. Ποτέ μην επαναφορτίζετε μια πλήρως φορτισμένη κασέτα μπαταρίας. Η υπερφόρτιση μειώνει τη διάρκεια ζωής της μπαταρίας.
3. Φορτίστε την κασέτα μπαταρίας σε θερμοκρασία δωματίου στους 10 °C - 40 °C (50 °F - 104 °F). Αφήστε μια ζεστή κασέτα μπαταρίας να κρυώσει πριν την φορτίσετε.
4. Αν δεν την χρησιμοποιείτε για μεγάλο χρονικό διάστημα (περισσότερο από έξι μήνες), φορτίστε την κασέτα της μπαταρίας.



## ΧΡΟΝΟΣ ΛΕΙΤΟΥΡΓΙΑΣ

Τα κατάλληλα πακέτα μπαταριών για αυτό το ραδιόφωνο αναφέρονται στον παρακάτω πίνακα.

Ο παρακάτω πίνακας δείχνει τον χρόνο λειτουργίας με μία μόνο φόρτιση.

Χωρητικότητα μπαταρίας	Τάση κασέτας μπαταρίας			ΣΕ ΕΞΟΔΟ ΗΧΕΙΩΝ = 100mW Μονάδα: Ωρα (περίπου)	
	10,8V –12Vmax	14,4V	18V	Στο ραδιόφωνο ή στο AUX	Στο Bluetooth + φόρτιση USB
1,3 Ah		BL1415		3,5	0,7
			BL1815	4,0	1,0
1,5 Ah	BL1015 BL1016			5,5	0,8
		BL1415N BL1415NA		4,5	0,9
			BL1815N	5,0	1,2
2,0 Ah	BL1020B BL1021B			7,0	1,0
			BL1820 BL1820B	6,5	1,6
3,0 Ah		BL1430 BL1430B BL1430A		8,0	1,6
			BL1830 BL1830B	9,0	2,3
4,0 Ah	BL1040B BL1041B			14	2,1
		BL1440		12	2,5
			BL1840 BL1840B	13	3,2
5,0Ah		BL1450		15	3,0
			BL1850 BL1850B	16	4,2
6,0 Ah		BL1460B BL1460A		16	3,3
			BL1860B	20	5,0

### ⚠ ΠΡΟΕΙΔΟΠΟΙΗΣΗ:

Χρησιμοποιείτε μόνο τις κασέτες μπαταρίας που αναφέρονται παραπάνω. Η χρήση οποιωνδήποτε άλλων κασετών μπαταρίας μπορεί να προκαλέσει τραυματισμό ή/και πυρκαγιά.

### ΣΗΜΕΙΩΣΗ:

- Ο πίνακας σχετικά με τον χρόνο λειτουργίας της μπαταρίας παραπάνω είναι μόνο για αναφορά.
- Ο πραγματικός χρόνος λειτουργίας μπορεί να διαφέρει ανάλογα με τον τύπο της μπαταρίας, την κατάσταση φόρτισης ή το περιβάλλον χρήσης.
- Ορισμένες από τις κασέτες και τους φορτιστές μπαταριών που αναφέρονται παραπάνω ενδέχεται να μην είναι διαθέσιμοι ανάλογα με την περιοχή διαμονής σας.

## ΕΓΚΑΤΑΣΤΑΣΗ ΚΑΙ ΤΡΟΦΟΔΟΣΙΑ (ΕΙΚ.2)

### ⚠ ΠΡΟΣΟΧΗ:

- Προσέξτε να μην πιέξετε τα δάχτυλά σας όταν ανοίγετε και κλείνετε το κάλυμμα της μπαταρίας.
- Επαναφέρετε το ντουλάπι της θήκης μπαταριών στην αρχική θέση, αφού εγκαταστήσετε ή αφαιρέσετε το φυσίγγιο μπαταρίας. Εάν όχι, το φυσίγγιο μπαταρίας μπορεί να πέσει κατά λάθος από το ραδιόφωνο, προκαλώντας τραυματισμό σε εσάς ή σε κάποιον γύρω σας.
- Κλείνετε πάντα και ασφαλίσετε το ντουλάπι θήκης μπαταρίας πριν μετακινήσετε το ραδιόφωνο.
- Σβήνετε πάντα το ραδιόφωνο πριν τοποθετήσετε ή αφαιρέσετε το φυσίγγιο μπαταρίας.
- Προσέξτε να μην σας πέσει ή χτυπήσει το ραδιόφωνο. Το σπασμένο περίβλημα μπορεί να κόψει το δάχτυλό σας ή να καρφωθεί το σώμα σας. Το κατεστραμμένο ραδιόφωνο ενδέχεται να παρουσιάσει απρόβλεπτη συμπεριφορά με αποτέλεσμα πυρκαγιά, έκρηξη ή κίνδυνο τραυματισμού.

### ΣΗΜΑΝΤΙΚΟ:

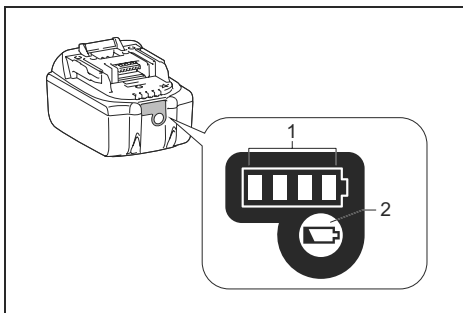
- Μειωμένη ισχύς, παραμόρφωση, "διακοπές ήχου"  
 ! ή όταν εμφανίζεται στην οθόνη η ένδειξη "Χαμηλή μπαταρία" είναι όλα ενδείξεις ότι το πακέτο κύριας μπαταρίας πρέπει να αντικατασταθεί.
- Το φυσίγγιο μπαταρίας δεν μπορεί να φορτιστεί μέσω του παρεχόμενου μετασχηματιστή AC.
- Το φυσίγγιο μπαταρίας δεν περιλαμβάνεται ως στάνταρ αξεσουάρ.

## Τοποθετήστε ή αφαιρέστε τη κασέτα συρόμενων μπαταριών (Εικ. 3 & 4)

- Για να τοποθετήσετε την κασέτα της μπαταρίας, ευθυγραμμίστε τη γλώσσα στην κασέτα μπαταρίας με την αυλάκωση στο περίβλημα και σπρώξτε τη στη θέση της. Πάντα να την τοποθετείτε μέχρι τέρμα ώστε να ασφαλίσει στη θέση της με ένα μικρό κλικ.
- Εάν μπορείτε να δείτε την κόκκινη ένδειξη στην επάνω πλευρά του κουμπιού, δεν έχει ασφαλίσει εντελώς. Ωθήστε την μέχρι τέρμα για να μην φαίνεται η κόκκινη ένδειξη. Εάν όχι, μπορεί να πέσει κατά λάθος από το ραδιόφωνο, προκαλώντας τραυματισμό σε εσάς ή σε κάποιον γύρω σας.
- Μην ασκείτε δύναμη κατά την εγκατάσταση της κασέτας μπαταρίας. Αν η κασέτα δεν γλιστρά εύκολα στη θέση της, δεν τη βάζετε σωστά.
- Για να αφαιρέσετε την κασέτα μπαταρίας, σύρετε την από το ραδιόφωνο ενώ σύρετε το κουμπί στο μπροστινό μέρος της κασέτας.

## Υποδεικνύοντας την υπόλοιπη χωρητικότητα της μπαταρίας

\* Μόνο για κασέτες μπαταρίας με "B" στο τέλος του αριθμού μοντέλου.



### ➤ 1. Ενδεικτικές λυχνίες 2. Κουμπί ελέγχου

Πατήστε το κουμπί ελέγχου στην κασέτα μπαταρίας για να δείτε την υπόλοιπη χωρητικότητα της μπαταρίας. Οι ενδεικτικές λυχνίες ανάβουν για μερικά δευτερόλεπτα

### • Μπαταρίες 14,4V/18V

Ενδεικτικές λυχνίες			Υπόλοιπο χωρητικότητα
■ Ανάβουν	□ Σβηστές	▣ Αναβοσβήνουν	
■ ■ ■ ■			75% ~ 100%
■ ■ ■ □			50% ~ 75%
■ ■ □ □			25% ~ 50%
■ □ □ □			0% ~ 25%
▣ □ □ □			Φόρτισε την μπαταρία
■ ■ □ □	↑ ↓	■ ■	Η μπαταρία ενδέχεται να έχει βλάβη

### • Μπαταρίες 10,8V-12V μέγ.

Ενδεικτικές λυχνίες			Υπόλοιπο χωρητικότητα
■ Ανάβουν	□ Σβηστές	▣ Αναβοσβήνουν	
■ ■ ■ ■			75% ~ 100%
■ ■ ■ □			50% ~ 75%
■ ■ □ □			25% ~ 50%
■ □ □ □			0% ~ 25%

## ΣΗΜΕΙΩΣΗ:

Ανάλογα με τις συνθήκες χρήσης και τη θερμοκρασία περιβάλλοντος, η ένδειξη μπορεί να διαφέρει ελαφρώς από την πραγματική χωρητικότητα.

### Χρήση παρεχόμενου τροφοδοτικού εναλλασσόμενου ρεύματος

Αφαιρέστε το προστατευτικό καουτσούκ και τοποθετήστε το βύσμα του προσαρμογέα στην υποδοχή DC στη δεξιά πλευρά του ραδιοφώνου. Συνδέστε τον προσαρμογέα σε μια κανονική πρίζα ρεύματος. Όταν χρησιμοποιείται ο προσαρμογέας, απουσιάζει αυτόματα η μπαταρία.

#### ⚠️ ΠΡΟΣΟΧΗ:

- Πριν από τη μετακίνηση του ραδιοφώνου, αποσυνδέετε πάντα τον τροφοδοτικό εναλλασσόμενου ρεύματος. Εάν ο μετασχηματιστής εναλλασσόμενου ρεύματος δεν αφαιρεθεί, μπορεί να προκληθεί ηλεκτροπληξία.
- Ποτέ μην τραβάτε και/ή σέρνετε το καλώδιο του προσαρμογέα. Αν όχι, το ραδιόφωνο μπορεί να πέσει κατά λάθος, προκαλώντας τραυματισμό σε εσάς ή σε κάποιον γύρω σας.

#### ΣΗΜΑΝΤΙΚΟ:

- Ο προσαρμογέας δικτύου χρησιμοποιείται ως μέσο σύνδεσης του ραδιοφώνου στην τροφοδοσία ρεύματος. Η πρίζα ρεύματος που χρησιμοποιείται για το ραδιόφωνο πρέπει να παραμείνει προσβάσιμη κατά τη διάρκεια της κανονικής χρήσης.
- Για να αποσυνδέσετε το ραδιόφωνο, ο προσαρμογέας δικτύου πρέπει να βγει από την πρίζα.
- Χρησιμοποιήστε το τροφοδοτικό εναλλασσόμενου ρεύματος που παρέχεται μαζί με το προϊόν ή που ορίζεται μόνο από τη Makita.
- Μην κρατάτε το καλώδιο τροφοδοσίας και το βύσμα με το στόμα σας. Κάτι τέτοιο μπορεί να προκαλέσει ηλεκτροπληξία.
- Μην αγγίζετε το βύσμα με βρεγμένα ή λιπαρά χέρια.
- Τα χαλασμένα ή μπλεγμένα καλώδια αυξάνουν τον κίνδυνο ηλεκτροπληξίας. Εάν το καλώδιο είναι κατεστραμμένο, αντικαταστήστε το από το εξουσιοδοτημένο κέντρο σέρβις μας, προκειμένου να αποφύγετε κίνδυνο για την ασφάλεια. Μην το χρησιμοποιείτε πριν από την επισκευή.
- Μετά τη χρήση, να αποθηκεύετε πάντοτε το τροφοδοτικό εναλλασσόμενου ρεύματος μακριά από παιδιά. Εάν τα παιδιά παίζουν με το καλώδιο, μπορεί να τραυματιστούν.

### Φόρτιση με θύρα τροφοδοσίας USB

Υπάρχει η θύρα USB στην μπροστινή πλευρά του ραδιοφώνου. Μπορείτε να φορτίσετε τη συσκευή USB μέσω της θύρας USB.

1. Συνδέστε τη συσκευή USB, όπως MP3 ή CD player, με καλώδιο USB που διατίθεται στην αγορά.

2. Πατήστε το κουμπί τροφοδοσίας για να ενεργοποιήσετε το ραδιόφωνο.
3. Ανεξάρτητα από το αν το ραδιόφωνο τροφοδοτείται από εναλλασσόμενο ρεύμα ή με μπαταρία, το ραδιόφωνο μπορεί να φορτίσει τη συσκευή USB όταν είναι αναμμένο και σε λειτουργία ραδιοφώνου DAB/FM ή BT ή λειτουργία AUX που εμφανίζεται όταν είναι συνδεδεμένη μια εξωτερική πηγή ήχου.

#### Σημειώσεις:

- Η μέγιστη ένταση του ηχείου ισχύος εξόδου μειώνεται όταν φορτίζεται το USB σας.
- Η υποδοχή USB μπορεί να παρέχει μέγιστο ρεύμα 5V/2,4A.

#### Σημαντικό:

- Πριν συνδέσετε τη συσκευή USB στον φορτιστή, δημιουργήστε πάντα αντίγραφο ασφαλείας των δεδομένων της συσκευής USB. Διαφορετικά, τα δεδομένα σας ενδέχεται να χαθούν κατά πάσα πιθανότητα.
- Ο φορτιστής ενδέχεται να μην τροφοδοτεί μερικές συσκευές USB.
- Όταν δεν τον χρησιμοποιείτε ή μετά τη φόρτιση, αφαιρέστε το καλώδιο USB και κλείστε το κάλυμμα.
- Μην συνδέετε την πηγή τροφοδοσίας στη θύρα USB. Διαφορετικά, υπάρχει κίνδυνος πυρκαγιάς. Η θύρα USB προορίζεται μόνο για τη φόρτιση συσκευής χαμηλής τάσης. Τοποθετείτε πάντα το κάλυμμα στη θύρα USB όταν δεν φορτίζετε τη συσκευή χαμηλής τάσης.
- Μην βάζετε καρφί, σύρμα κ.λπ. στη θύρα τροφοδοσίας USB. Διαφορετικά, ένα βραχυκύκλωμα μπορεί να προκαλέσει καπνό και φωτιά.
- Μην συνδέετε αυτή την υποδοχή USB με τη θύρα USB του υπολογιστή σας, καθώς είναι πολύ πιθανό να προκληθεί βλάβη στις μονάδες.

## ΑΚΡΟΑΣΗ ΤΟΥ ΡΑΔΙΟΦΩΝΟΥ

Αυτό το ραδιόφωνο διαθέτει τρεις μεθόδους συντονισμού - Ρύθμιση σάρωσης, Χειροκίνητο συντονισμό και Ανάκλιση προεπιλογών μνήμης.

### Επιλογή σταθμού - DAB

Σημείωση: Η κεραία DAB είναι ενσωματωμένη στη λαβή. Κατά τη λειτουργία του ραδιοφώνου, ευθυγραμμίστε τη λαβή σωστά πάνω από το ραδιόφωνο για καλύτερη λήψη.

1. Πατήστε το κουμπί τροφοδοσίας για να ενεργοποιήσετε το ραδιόφωνο.
2. Επιλέξτε τη λειτουργία DAB πιέζοντας το κουμπί μπάντας.
3. Πατήστε το κουμπί ρύθμισης συντονισμού για να μπει στη λίστα των σταθμών. Ή μπορείτε επίσης να πατήσετε το κουμπί σύνθετης ρύθμισης και στη συνέχεια να περιστρέψετε το κουμπί ρύθμισης

συντονισμού για να επιλέξετε "Λίστα σταθμών".

Πατήστε το κουμπί ρύθμισης συντονισμού για να μπείτε στη λίστα των σταθμών.

4. Περιστρέψτε το κουμπί ρύθμισης συντονισμού για να μετακινηθείτε στη λίστα διαθέσιμων σταθμών. Πατήστε το κουμπί ελέγχου συντονισμού για να επιλέξετε τον σταθμό.
5. Ρυθμίστε την επιθυμητή ένταση περιστρέφοντας το κουμπί έντασης ήχου.

## Λειτουργίες οθόνης – DAB

Το ραδιόφωνο διαθέτει μια σειρά από επιλογές οθόνης για τη λειτουργία ραδιοφώνου DAB.

Πατήστε το κουμπί πληροφοριών για εναλλαγή στις διάφορες επιλογές.

- |                                     |   |
|-------------------------------------|---|
| a. Τμήμα δυναμικής ετικέτας         | Συμπληρωματικές υπηρεσίες δεδομένων σε μορφή κειμένου (έως και 128 χαρακτήρες) σε λειτουργία παράλληλα με το ραδιοφωνικό πρόγραμμα DAB ή DAB +. Εμφανίζει κυλιόμενο κείμενο μηνυμάτων όπως όνομα καλλιτέχνη/κομματιού, τηλεφώνω με αριθμούς κ.λπ. |
| b. Τύπος προγράμματος               | Εμφανίζει τον τύπο σταθμού που ακούτε όπως Pop, Classic, News, κ.λπ.  |
| c. Πολυπλέκτης                      | Εμφανίζει το όνομα του πολυπλέκτη DAB στον οποίο ανήκει ο τρέχων σταθμός.   |
| d. Συχνότητα και κανάλι             | Εμφανίζει τον αριθμό συχνότητας και καναλιού για τον τρέχοντα σταθμό DAB.   |
| e. Σφάλμα/ένταση σήματος            | Εμφανίζει το σφάλμα και την ισχύ σήματος του σταθμού που ακούτε. Ένας χαμηλότερος αριθμός σφάλματος υποδηλώνει καλύτερη ποιότητα ραδιοφωνικού σήματος.  |
| f. Ρυθμός μετάδοσης bit/ Τύπος ήχου | Εμφανίζει τον ψηφιακό ρυθμό μετάδοσης bit ήχου και τον τύπο ήχου για τον σταθμό DAB που έχει συντονιστεί.   |
| g. Ημερομηνία                       | Εμφανίζει την τρέχουσα ημερομηνία.  |

Εάν μια εκπομπή DAB παρέχει μια εικόνα διαφανειών, αυτή μπορεί να προβληθεί σε πλήρη οθόνη πατώντας και κρατώντας πατημένο το κουμπί ρύθμισης συντονισμού. Εάν η εκπομπή που λαμβάνετε είναι στερεοφωνική, τότε εμφανίζεται το σύμβολο στερεοφωνικού ηχείου στο κάτω μέρος της οθόνης.

## Εύρεση νέων σταθμών - DAB

Από καιρό σε καιρό, ενδέχεται να διατίθενται νέοι ραδιοφωνικοί σταθμοί DAB. Ή ίσως έχετε μετακομίσει σε

διαφορετικό μέρος της χώρας. Σε αυτή την περίπτωση ίσως χρειαστεί να ενεργοποιήσετε το ραδιόφωνο για να σαρώσετε νέους σταθμούς.

Για να επιτρέψετε στο ραδιόφωνο να βρει τους διαθέσιμους σταθμούς, συνιστάται η πλήρης σάρωση όλων των συχνοτήτων DAB Band III.

1. Πατήστε το κουμπί τροφοδοσίας για να ενεργοποιήσετε το ραδιόφωνο.
2. Πατήστε το κουμπί μπάντας για να επιλέξετε τη λειτουργία ραδιοφώνου DAB.
3. Πατήστε το κουμπί αυτόματου συντονισμού για να ξεκινήσει η σάρωση. Στην οθόνη θα εμφανιστεί η ένδειξη "Σάρωση" και το ραδιόφωνο σας θα εκτελέσει μια σάρωση των συχνοτήτων DAB Band III. Καθώς θα βρεθούν νέοι σταθμοί, ο μετρητής σταθμών θα αυξηθεί και οι σταθμοί θα προστεθούν στη λίστα. Το γράφημα ράβδων υποδεικνύει την πρόοδο της σάρωσης.

## Χειροκίνητος συντονισμός - DAB

Ο χειροκίνητος συντονισμός σας επιτρέπει να συντονίζετε το ραδιόφωνο σε μια συγκεκριμένη συχνότητα DAB στη μπάντα III. Αυτή η λειτουργία μπορεί επίσης να χρησιμοποιηθεί για να βοηθήσει στη τοποθέτηση της κεραίας ή του ραδιοφώνου έτσι ώστε να βελτιστοποιηθεί η λήψη για ένα συγκεκριμένο κανάλι ή συχνότητα.

1. Όταν βρίσκεστε σε λειτουργία DAB, πατήστε το κουμπί σύνθετης ρύθμισης για να μπείτε στη ρύθμιση μενού.
2. Περιστρέψτε το κουμπί ρύθμισης συντονισμού για να επιλέξετε "Χειροκίνητος συντονισμός". Πατήστε το κουμπί ρύθμισης συντονισμού για να μπείτε στη λειτουργία χειροκίνητου συντονισμού.
3. Περιστρέψτε το κουμπί ρύθμισης συντονισμού για να επιλέξετε το επιθυμητό κανάλι DAB. Πατήστε το κουμπί ρύθμισης συντονισμού για να επιβεβαιώσετε την επιλεγμένη συχνότητα.

## Έλεγχος δυναμικής εμβέλειας (DRC) - DAB

Το χαρακτηριστικό DRC μπορεί να σας βοηθήσει να ακούτε πιο εύκολα χαμηλότερους ήχους όταν το ραδιόφωνο χρησιμοποιείται σε θορυβώδες περιβάλλον μειώνοντας το δυναμικό εύρος του ηχητικού σήματος. Υπάρχουν τρία επίπεδα συμπίεσης:

- |     |                   |
|-----|-------------------|
| 1   | Μέγιστη συμπίεση. |
| 1/2 | Μεσαία συμπίεση.  |
| 0   | Χωρίς συμπίεση.   |

1. Όταν βρίσκεστε σε λειτουργία DAB, πατήστε το κουμπί σύνθετης ρύθμισης για να μπείτε στη ρύθμιση μενού.
2. Περιστρέψτε το κουμπί ρύθμισης συντονισμού για να

- επιλέξετε "DRC". Στη συνέχεια, πατήστε το κουμπί ρύθμισης συντονισμού για να μπειτε στη ρύθμιση. Στην οθόνη θα εμφανιστεί η τρέχουσα τιμή DRC.
3. Περιστρέψτε το κουμπί ρύθμισης συντονισμού για να επιλέξετε την επιθυμητή ρύθμιση DRC.
  4. Πατήστε το κουμπί ελέγχου συντονισμού για να επιβεβαιώσετε τη ρύθμιση.

## Ρύθμιση σειράς σταθμών - DAB

Το ραδιόφωνό σας διαθέτει 3 ρυθμίσεις σειράς σταθμών από τις οποίες μπορείτε να επιλέξετε. Οι ρυθμίσεις σειράς σταθμών είναι αλφαριθμητικές, σύνολα και έγκυροι σταθμοί.

1. Όταν βρίσκεστε σε λειτουργία DAB, πατήστε το κουμπί σύνθετης ρύθμισης για να μπειτε στη ρύθμιση μενού.
2. Περιστρέψτε το κουμπί ρύθμισης συντονισμού για να επιλέξετε "Σειρά σταθμών" και, στη συνέχεια, πατήστε το κουμπί ρύθμισης συντονισμού για να μπειτε στη ρύθμιση.
3. Περιστρέψτε το κουμπί ρύθμισης συντονισμού για να κάνετε τις ακόλουθες επιλογές και πατήστε το κουμπί ρύθμισης συντονισμού για να επιβεβαιώσετε τη ρύθμιση.

Αλφαριθμητικά	Ταξινόμηση της λίστας σταθμών αλφαριθμητικά 0 ... 9 A ... Z.
Σύνολα	Οργανώνει τη λίστα σταθμών βάσει πολυπλέκτη DAB.
Έγκυροι	Εμφανίζει μόνο τους σταθμούς για τους οποίους μπορεί να βρεθεί ένα σήμα.

## Συντονισμός σάρωσης – FM

### Σημείωση:

Η κεραία FM είναι ενσωματωμένη στη λαβή. Κατά τη λειτουργία του ραδιόφωνα, ευθυγραμμίστε τη λαβή σωστά πάνω από το ραδιόφωνο για καλύτερη λήψη.

1. Πατήστε το κουμπί τροφοδοσίας για να ενεργοποιήσετε το ραδιόφωνο.
2. Πατήστε το κουμπί μπάντας για να επιλέξετε τη λειτουργία ραδιοφώνου FM.
3. Πατήστε το κουμπί αυτόματου συντονισμού και το ραδιόφωνο θα αναζητήσει και θα σταματήσει αυτόματα όταν εντοπίσει έναν ραδιοφωνικό σταθμό.
4. Μετά από μερικά δευτερόλεπτα η οθόνη θα ενημερωθεί. Στην οθόνη θα εμφανιστεί η συχνότητα του εντοπισμένου σήματος. Εάν το σήμα είναι αρκετά ισχυρό και υπάρχουν δεδομένα RDS τότε το ραδιόφωνο θα εμφανίσει το όνομα του σταθμού.
5. Για να βρείτε άλλον σταθμό, πατήστε το κουμπί αυτόματου συντονισμού όπως πριν.
6. Όταν φτάσετε στο τέλος της ζώνης συχνοτήτων, το ραδιόφωνο σας θα ξαναρχίσει από το αντίθετο άκρο

της ζώνης συχνοτήτων.

7. Περιστρέψτε τον επιλογέα έντασης ήχου για να ρυθμίσετε το επίπεδο ήχου όπως θέλετε.

### Σημείωση:

Η ένταση του ήχου δεν πρέπει να είναι πολύ μεγάλη. Για να αποφύγετε τυχόν βλάβη της ακοής, μην ακούτε σε υψηλά επίπεδα έντασης για μεγάλες περιόδους.

8. Για να απενεργοποιήσετε το ραδιόφωνο, πατήστε το κουμπί λειτουργίας.

## Χειροκίνητος συντονισμός – FM

1. Πατήστε το κουμπί τροφοδοσίας για να ενεργοποιήσετε το ραδιόφωνο.
2. Πατήστε το κουμπί μπάντας για να επιλέξετε τη λειτουργία ραδιοφώνου FM.
3. Πατήστε το κουμπί ελέγχου συντονισμού για να μπειτε στη λειτουργία ρύθμισης συντονισμού.
4. Περιστρέψτε το κουμπί ρύθμισης συντονισμού για να βρείτε τον επιθυμητό σταθμό.
5. Για να ρυθμίσετε την ένταση, πατήστε ξανά το κουμπί ρύθμισης συντονισμού για να μπειτε στη λειτουργία ελέγχου έντασης ήχου.
6. Περιστρέψτε τον επιλογέα έντασης ήχου για να ρυθμίσετε το επίπεδο ήχου όπως θέλετε.

## Λειτουργίες οθόνης – FM(RDS)

Το ραδιόφωνο διαθέτει μια σειρά από επιλογές οθόνης για τη λειτουργία ραδιοφώνου FM.

Η ένδειξη RDS στο κάτω μέρος της οθόνης δείχνει ότι υπάρχουν ορισμένα δεδομένα RDS στην εκπομπή που λαμβάνεται. Η οθόνη στερεοφωνικού ηχείου δείχνει ότι το ραδιόφωνο λαμβάνει στερεοφωνική εκπομπή. Πατήστε επανειλημμένα το κουμπί πληροφοριών για να δείτε τις πληροφορίες RDS (Radio Data System) του σταθμού που ακούτε.

- |                       |  |
|-----------------------|--|
| a. Κείμενο ραδιοφώνου | Εμφανίζει το μήνυμα ραδιοφωνικού κειμένου, όπως τίτλους ειδήσεων κ.λπ.   |
| b. Τύπος προγράμματος | Εμφανίζει τον τύπο σταθμού που ακούτε όπως Pop, Classic, News, κ.λπ.   |
| c. Συχνότητα          | Εμφανίζει τη συχνότητα του σήματος FM. (Εάν δεν υπάρχουν πληροφορίες RDS, η οθόνη θα εμφανίσει την ένδειξη "Χωρίς όνομα"). |
| d. Λειτουργία ήχου    | Εμφανίζει την τρέχουσα λειτουργία ήχου.  |
| e. Ημερομηνία         | Εμφανίζει την τρέχουσα ημερομηνία.   |

## Ζώνη σάρωσης FM

Όταν χρησιμοποιείτε τη λειτουργία FM, το ραδιόφωνο

μπορεί να ρυθμιστεί για να σαρώσει είτε τοπικούς σταθμούς είτε για να σαρώσει όλους τους σταθμούς, συμπεριλαμβανομένων των απομακρυσμένων ραδιοφωνικών σταθμών.

1. Όταν βρίσκεστε σε λειτουργία FM, πατήστε το κουμπί σύνθετης ρύθμισης για να μπείτε στη ρύθμιση μενού.
2. Περιστρέψτε το κουμπί ρύθμισης συντονισμού για να επιλέξετε “Ζώνη σάρωσης”. Πατήστε το κουμπί ελέγχου συντονισμού για να μπείτε στη ρύθμιση. Η τρέχουσα ρύθμιση ήχου υποδεικνύεται με ένα σημάδι.
3. Περιστρέψτε το κουμπί ρύθμισης συντονισμού για να επιλέξετε “Τοπικά” (Μόνο ισχυροί σταθμοί) ή “Απομακρυσμένα” (Όλοι οι σταθμοί). Η επιλογή “Απομακρυσμένα” θα επιτρέψει στο ραδιόφωνο να βρει ασθενέστερα σήματα κατά τη σάρωση.
4. Πατήστε το κουμπί ελέγχου συντονισμού για να επιβεβαιώσετε τη ρύθμιση. Η ρύθμιση Τοπικών ή Απομακρυσμένων αποθηκεύεται στο ραδιόφωνο και παραμένει σε ισχύ έως ότου αλλάξει ή μέχρι να γίνει επαναφορά συστήματος.

## Στερεοφωνική/Μονοφωνική ρύθμιση - FM


Εάν ο ραδιοφωνικός σταθμός FM που ακούτε έχει αδύναμο σήμα, μπορεί να ακούγεται κάποιο σφύριγμα. Μπορείτε να μειώσετε αυτό το σφύριγμα εξαναγκάζοντας το ραδιόφωνο για να παίξει τον σταθμό μονοφωνικά και όχι στερεοφωνικά.

1. Βεβαιωθείτε ότι το ραδιόφωνο βρίσκεται στη λειτουργία FM και συντονιστείτε στον απαιτούμενο σταθμό FM.
2. Πατήστε το κουμπί σύνθετης ρύθμισης για να μπείτε στη ρύθμιση μενού.
3. Περιστρέψτε το κουμπί ρύθμισης συντονισμού για να επιλέξετε “Ρύθμιση ήχου”. Πατήστε το κουμπί ελέγχου συντονισμού για να μπείτε στη ρύθμιση. Η τρέχουσα ρύθμιση ήχου υποδεικνύεται με ένα σημάδι.
4. Περιστρέψτε το κουμπί ελέγχου συντονισμού για να επιλέξετε “Εξαναγκασμένο Μονοφωνικό” ή “Επιτρέπεται Στερεοφωνικό”. Πατήστε το κουμπί ελέγχου συντονισμού για να επιβεβαιώσετε τη ρύθμιση.

## Προεπιλογή σταθμών σε λειτουργίες DAB και FM

Υπάρχουν 5 προεπιλεγμένοι σταθμοί για ραδιόφωνο DAB και FM. Χρησιμοποιούνται με τον ίδιο τρόπο για κάθε ζώνη συχνότητας.

1. Πατήστε το κουμπί τροφοδοσίας για να ενεργοποιήσετε το ραδιόφωνο.
2. Πατήστε το κουμπί Μπάντας για να επιλέξετε την επιθυμητή περιοχή συχνότητας. Συντονιστείτε στον ραδιοφωνικό σταθμό που θέλετε όπως περιγράφηκε προηγουμένως.

3. Πατήστε και κρατήστε πατημένο το απαιτούμενο κουμπί προεπιλογής έως ότου εμφανιστεί στην οθόνη η ένδειξη “Αποθήκευση προεπιλογής 1” (για παράδειγμα).  θα εμφανιστεί στο κάτω μέρος της οθόνης. Στη συνέχεια, ο σταθμός αποθηκεύεται στο επιλεγμένο κουμπί προεπιλογής. Επαναλάβετε αυτή τη διαδικασία για τις υπόλοιπες προεπιλογές όπως θέλετε.
4. Οι προεπιλεγμένοι σταθμοί που έχουν ήδη αποθηκευτεί μπορούν να αντικατασταθούν ακολουθώντας την παραπάνω διαδικασία, εάν χρειάζεται.

## Ανάκληση μιας προεπιλογής σε λειτουργίες DAB και FM

1. Πατήστε το κουμπί τροφοδοσίας για να ενεργοποιήσετε το ραδιόφωνο.
2. Πατήστε το κουμπί μπάντας για να επιλέξετε τη λειτουργία ραδιοφώνου DAB ή FM.
3. Πατήστε στιγμιαία το απαιτούμενο κουμπί προεπιλογής για να συντονίσετε στο ραδιόφωνο σας σε έναν από τους σταθμούς που είναι αποθηκευμένοι στη μνήμη προεπιλεγμένων ρυθμίσεων.

## ΔΙΑΦΟΡΕΣ ΡΥΘΜΙΣΕΙΣ

### Αυτόματη ενημέρωση του ρολογιού

Μπορείτε να ορίσετε το ραδιόφωνο να ρυθμίζει το ρολόι του από ραδιοφωνικές εκπομπές DAB ή FM. Μετά από διακοπή ρεύματος, το ραδιόφωνο θα ρυθμίσει το ρολόι του την επόμενη φορά που θα ενεργοποιήσετε το ραδιόφωνο σε λειτουργία DAB ή FM.

1. Με το ραδιόφωνο αναμμένο, πατήστε το κουμπί σύνθετης ρύθμισης για να μπείτε στο μενού για την τρέχουσα λειτουργία.
2. Περιστρέψτε το κουμπί ρύθμισης συντονισμού για να επιλέξετε “Ωρα/Ημερομηνία”. Πατήστε το κουμπί ελέγχου συντονισμού για να μπείτε στη ρύθμιση.
3. Περιστρέψτε το κουμπί ρύθμισης συντονισμού για να επιλέξετε “Αυτόματη ενημέρωση”. Πατήστε το κουμπί ελέγχου συντονισμού για να μπείτε στο μενού αυτόματης ενημέρωσης.
4. Περιστρέψτε το κουμπί ελέγχου συντονισμού για να κάνετε μια επιλογή ενημέρωσης από “από Οποιοδήποτε”, “από DAB” ή “από FM” όπως απαιτείται. Πατήστε το κουμπί ελέγχου συντονισμού για να επιβεβαιώσετε την επιλογή σας. Η τρέχουσα ρύθμιση θα επισημαίνεται με ένα σημάδι.

### Ρύθμιση της μορφής ρολογιού

1. Με το ραδιόφωνο αναμμένο, πατήστε το κουμπί σύνθετης ρύθμισης για να μπείτε στο μενού για την τρέχουσα λειτουργία.
2. Περιστρέψτε το κουμπί ρύθμισης συντονισμού για

- να επιλέξετε “Ωρα/Ημερομηνία”. Πατήστε το κουμπί ελέγχου συντονισμού για να μπειτε στη ρύθμιση.
3. Περιστρέψτε το κουμπί ρύθμισης συντονισμού για να επιλέξετε “Ορισμός 12/24 Ωρες”. Πατήστε το κουμπί ελέγχου συντονισμού για να εισαγάγετε τη ρύθμιση μορφής ρολογιού. Η τρέχουσα μορφή εμφάνισης ρολογιού επισημαίνεται με ένα σημάδι.
  4. Περιστρέψτε το κουμπί ελέγχου συντονισμού για να επιλέξετε είτε τη μορφή 12 είτε τη μορφή 24 ωρών. Πατήστε το κουμπί ελέγχου συντονισμού για να επιβεβαιώσετε την ρύθμιση. Αν επιλέξετε τη μορφή ρολογιού 12 ωρών, το ραδιόφωνο θα εμφανίσει ένα ρολόι 12 ωρών με ένδειξη ΜΠ ή ΜΜ.

## Ρύθμιση μορφής ημερομηνίας

1. Με το ραδιόφωνο αναμμένο, πατήστε το κουμπί σύνθετης ρύθμισης για να μπειτε στο μενού για την τρέχουσα λειτουργία.
2. Περιστρέψτε το κουμπί ρύθμισης συντονισμού για να επιλέξετε “Ωρα/Ημερομηνία”. Πατήστε το κουμπί ελέγχου συντονισμού για να μπειτε στη ρύθμιση.
3. Περιστρέψτε το κουμπί ρύθμισης συντονισμού για να επιλέξετε “Ρύθμιση μορφής ημερομηνίας”. Πατήστε το κουμπί ελέγχου συντονισμού για να μπειτε στη ρύθμιση.
4. Περιστρέψτε το κουμπί ρύθμισης συντονισμού για να επιλέξετε τη μορφή ημερομηνίας “HH-MM-EEEE” ή “MM-HH-EEEE”. Πατήστε το κουμπί ελέγχου συντονισμού για να επιβεβαιώσετε τη ρύθμιση.

## Loudness

Μπορείτε να έχετε ενίσχυση σε χαμηλότερη και υψηλότερη συχνότητα για το ραδιόφωνο σας, ρυθμίζοντας τη λειτουργία έντασης.

1. Με το ραδιόφωνο αναμμένο, πατήστε το κουμπί σύνθετης ρύθμισης για να μπειτε στο μενού για την τρέχουσα λειτουργία.
2. Περιστρέψτε το κουμπί ρύθμισης συντονισμού για να επιλέξετε “Loudness”. Πατήστε το κουμπί ελέγχου συντονισμού για να μπειτε στη ρύθμιση.
3. Περιστρέψτε το κουμπί ρύθμισης συντονισμού για να επιλέξετε “On” για να ενεργοποιήσετε τη λειτουργία loudness. Για να απενεργοποιήσετε τη λειτουργία loudness, επιλέξτε “Off”. Πατήστε το κουμπί ελέγχου συντονισμού για να επιβεβαιώσετε τη ρύθμιση.

## Επιλογές Γλώσσας

Υπάρχουν διαθέσιμες οκτώ γλώσσες στο ραδιόφωνο: αγγλικά, γερμανικά, ιταλικά, γαλλικά, ολλανδικά, δανικά, νορβηγικά και πολωνικά.

1. Με το ραδιόφωνο αναμμένο, πατήστε το κουμπί σύνθετης ρύθμισης για να μπειτε στο μενού για την τρέχουσα λειτουργία.
2. Περιστρέψτε το κουμπί ρύθμισης συντονισμού για

- να επιλέξετε “Γλώσσες”. Πατήστε το κουμπί ελέγχου συντονισμού για να μπειτε στη ρύθμιση.
3. Περιστρέψτε το κουμπί ρύθμισης συντονισμού για να επιλέξετε την επιθυμητή γλώσσα. Πατήστε το κουμπί ελέγχου συντονισμού για να επιβεβαιώσετε την ρύθμιση.

## Επαναφορά στις εργοστασιακές ρυθμίσεις

Αν θέλετε να επαναφέρετε πλήρως το ραδιόφωνο στην αρχική του κατάσταση, αυτό μπορεί να γίνει ακολουθώντας αυτή τη διαδικασία. Με την επαναφορά εργοστασιακών ρυθμίσεων, όλες οι ρυθμίσεις που έχουν εισαχθεί από το χρήστη θα διαγραφούν.

1. Με το ραδιόφωνο αναμμένο, πατήστε το κουμπί σύνθετης ρύθμισης για να μπειτε στο μενού για την τρέχουσα λειτουργία.
2. Περιστρέψτε το κουμπί ρύθμισης συντονισμού για να επιλέξετε “Επαναφορά εργοστασιακών ρυθμίσεων”. Πατήστε το κουμπί ελέγχου συντονισμού για να μπειτε στη ρύθμιση.
3. Περιστρέψτε το κουμπί ρύθμισης συντονισμού για να επιλέξετε “Ναι” ή “Όχι”. Αν δεν θέλετε να πραγματοποιήσετε επαναφορά συστήματος, επιλέξτε “Όχι” και, στη συνέχεια, πατήστε το κουμπί ρύθμισης συντονισμού για να επιβεβαιώσετε τη ρύθμιση. Με την επιλογή “Ναι”, πατήστε το κουμπί ελέγχου συντονισμού. Θα γίνει πλήρης επαναφορά. Η λίστα σταθμών και οι προεπιλογές θα διαγραφούν. Όλες οι ρυθμίσεις θα οριστούν στις προεπιλεγμένες τιμές τους.

Σε περίπτωση δυσλειτουργίας λόγω ηλεκτροστατικής εκκένωσης, επαναφέρετε το προϊόν (μπορεί να χρειαστεί να επανασυνδέσετε την πηγή τροφοδοσίας) για να συνεχίσετε την κανονική λειτουργία.

## Θύρα Micro USB για αναβάθμιση λογισμικού

Οι ενημερώσεις λογισμικού για το ραδιόφωνό σας ενδέχεται να είναι διαθέσιμες στο μέλλον.

Καθώς οι ενημερώσεις λογισμικού γίνονται διαθέσιμες λογισμικό και πληροφορίες σχετικά με τον τρόπο ενημέρωσης του ραδιοφώνου μπορείτε να βρείτε στην ιστοσελίδα της Makita.

1. Χρησιμοποιώντας το καλώδιο micro USB (δεν παρέχεται) για να συνδέσετε την υποδοχή USB στη θήκη μπαταριών και στον υπολογιστή σας.
2. Με το ραδιόφωνο αναμμένο, πατήστε το κουμπί σύνθετης ρύθμισης για να μπειτε στο μενού για την τρέχουσα λειτουργία.
3. Περιστρέψτε το κουμπί ρύθμισης συντονισμού για να επιλέξετε “Ενημέρωση λογισμικού”. Πατήστε το κουμπί ελέγχου συντονισμού για να μπειτε στη ρύθμιση.

4. Περιστρέψτε το κουμπί ρύθμισης συντονισμού για να επιλέξετε “Ναι” ή “Όχι”. Αν δεν θέλετε να πραγματοποιήσετε ενημέρωση λογισμικού, επιλέξτε “Όχι” και, στη συνέχεια, πατήστε το κουμπί ρύθμισης συντονισμού για να επιβεβαιώσετε τη ρύθμιση. Με την επιλογή “Ναι”, πατήστε το κουμπί ελέγχου συντονισμού. Η οθόνη θα εμφανίσει την ένδειξη “Αναμονή για οδηγό υπολογιστή”. Πηγαίνατε στον ιστότοπο για να κάνετε λήψη του πιο πρόσφατου λογισμικού. Ακολουθήστε τις οδηγίες στην οθόνη του υπολογιστή σας που παρέχονται με το λογισμικό αναβάθμισης για να ολοκληρώσετε την αναβάθμιση του λογισμικού.

#### Σημείωση:

Χρησιμοποιήστε τον μετασχηματιστή εναλλασσόμενου ρεύματος ως κύρια παροχή ρεύματος κατά την αναβάθμιση του λογισμικού. Μην απενεργοποιείτε την τροφοδοσία στο ραδιόφωνο μέχρι να ολοκληρωθεί η λειτουργία ενημέρωσης και να επανεκκινηθεί το ραδιόφωνο, διαφορετικά η συσκευή μπορεί να καταστραφεί μόνιμα.

### Έκδοση λογισμικού

1. Με το ραδιόφωνο αναμμένο, πατήστε το κουμπί σύνθετης ρύθμισης για να μπειτε στο μενού για την τρέχουσα λειτουργία.
2. Περιστρέψτε το κουμπί ρύθμισης συντονισμού για να επιλέξετε “Έκδοση λογισμικού”. Πατήστε το κουμπί ελέγχου συντονισμού για να εμφανιστεί η έκδοση λογισμικού.

### Λειτουργία ισοσταθμιστή

Υπάρχουν 7 τύποι ενδείξεων έγχρωμων LED γύρω από το κουμπί ελέγχου συντονισμού για να υποδείξουν διαφορετικές λειτουργίες EQ.

1. Πατήστε το κουμπί τροφοδοσίας για να ενεργοποιήσετε το ραδιόφωνο.
2. Πατήστε το κουμπί ελέγχου EQ για να μπειτε στο μενού ρυθμίσεων EQ.
3. Περιστρέψτε το κουμπί ελέγχου συντονισμού για να επιλέξετε την επιθυμητή λειτουργία. Στη συνέχεια πατήστε το κουμπί ελέγχου συντονισμού για να επιβεβαιώσετε τη ρύθμιση.

Λειτουργία EQ	Ένδειξη LED
Flat	Λευκό
Jazz	Μπλε
Rock	Κόκκινο
Classic	Καφέ
Pop	Ροζ
News	Κίτρινο
Το δικό μου EQ	Πράσινο

### Ρύθμιση του προφίλ μου EQ

1. Πατήστε το κουμπί ελέγχου EQ για να μπειτε στο μενού ρυθμίσεων EQ.
2. Περιστρέψτε το κουμπί ελέγχου συντονισμού για να επιλέξετε “Ρύθμιση MY EQ”. Στη συνέχεια, πατήστε το κουμπί ρύθμισης συντονισμού για να μπειτε στο μενού ρυθμίσεων.
3. Περιστρέψτε το κουμπί ρύθμισης συντονισμού για να επιλέξετε τη ρύθμιση “Πρίμα”. Πατήστε το κουμπί ελέγχου συντονισμού για να μπειτε στη ρύθμιση. Περιστρέψτε το κουμπί ελέγχου συντονισμού για να επιλέξετε το επιθυμητό επίπεδο πρίμων. Πατήστε το κουμπί ελέγχου συντονισμού για να επιβεβαιώσετε τη ρύθμιση.
4. Περιστρέψτε το κουμπί ρύθμισης συντονισμού για να επιλέξετε τη ρύθμιση “Μέση”. Πατήστε το κουμπί ελέγχου συντονισμού για να μπειτε στη ρύθμιση. Περιστρέψτε το κουμπί ελέγχου συντονισμού για να επιλέξετε το επιθυμητό επίπεδο μέσων συχνοτήτων. Πατήστε το κουμπί ελέγχου συντονισμού για να επιβεβαιώσετε τη ρύθμιση.
5. Περιστρέψτε το κουμπί ρύθμισης συντονισμού για να επιλέξετε τη ρύθμιση “Μπάσα”. Πατήστε το κουμπί ελέγχου συντονισμού για να μπειτε στη ρύθμιση. Περιστρέψτε το κουμπί ελέγχου συντονισμού για να επιλέξετε το επιθυμητό επίπεδο μπάσων. Πατήστε το κουμπί ελέγχου συντονισμού για να επιβεβαιώσετε τη ρύθμιση.

#### Σημείωση:

Όταν χρησιμοποιείτε τον ισοσταθμιστή για να τόνισετε τα μπάσα και να ακούτε σε υψηλά επίπεδα έντασης, μπορεί να προκληθούν σκασίματα ή παραμορφώσεις. Σε αυτήν την περίπτωση, ρυθμίστε κατάλληλα την ένταση του ραδιοφώνου.

### ΑΚΡΟΑΣΗ ΜΟΥΣΙΚΗΣ ΜΕΣΩ ΡΟΗΣ BLUETOOTH

Πρέπει να αντιστοιχίσετε τη συσκευή Bluetooth με το ραδιόφωνο, για να μπορέσετε να το συνδέσετε αυτόματα για αναπαραγωγή/ροή μουσικής Bluetooth μέσω του ραδιοφώνου. Η αντιστοίχιση δημιουργεί έναν δεσμό έτσι ώστε οι δύο συσκευές να μπορούν να αναγνωρίσουν η μια την άλλη.

#### Σημείωση:

- Για να έχετε την καλύτερη ποιότητα ήχου, σας συνιστούμε να ρυθμίσετε την ένταση του ήχου σε επίπεδο πάνω από τα δύο τρίτα στη συσκευή Bluetooth και, στη συνέχεια, να ρυθμίσετε την ένταση ήχου στο ραδιόφωνο, όπως χρειάζεται.
- Το ραδιόφωνο μπορεί να απομνημονεύσει έως και 8 σετ συνδεδεμένων συσκευών, όταν η μνήμη υπερβεί αυτό το πλήθος, το παλαιότερο ζεύγος στο ιστορικό θα αντικατασταθεί.



## Αντιστοίχιση της συσκευής Bluetooth σας για πρώτη φορά

1. Πατήστε το κουμπί τροφοδοσίας για να ενεργοποιήσετε το ραδιόφωνο. Πατήστε το κουμπί μπάντας για να επιλέξετε τη λειτουργία Bluetooth. Στην οθόνη θα εμφανιστεί η ένδειξη "BT Pair" και τα κουμπιά Preset (1-5) θα αναβοσβήνουν με λευκό χρώμα για να δείξουν ότι το ραδιόφωνο είναι ανιχνεύσιμο.
2. Ενεργοποιήστε το Bluetooth στη συσκευή σας σύμφωνα με το εγχειρίδιο χρήσης της συσκευής για σύνδεση με το ραδιόφωνο. Εντοπίστε τη λίστα συσκευών Bluetooth και επιλέξτε τη συσκευή με την ονομασία "DMR115" σε μερικά κινητά τηλέφωνα (τα οποία είναι εξοπλισμένα με παλαιότερες εκδόσεις συσκευής Bluetooth BT2.1), μπορεί να χρειαστεί να εισαγάγετε τον κωδικό πρόσβασης "0000".
3. Μόλις συνδεθεί, θα ακουστεί ένας ήχος επιβεβαίωσης. Τα κουμπιά Preset (1-5) θα παραμείνουν σταθερά λευκά. Μπορείτε απλά να επιλέξετε και να αναπαραγάγετε οποιαδήποτε μουσική από τη συσκευή πηγής. Ο έλεγχος έντασης ήχου μπορεί να ρυθμιστεί από τη συσκευή πηγής ή απευθείας από το ραδιόφωνο.
4. Χρησιμοποιήστε τα χειριστήρια ελέγχου της συσκευής με δυνατότητα Bluetooth ή στο ραδιόφωνο για αναπαραγωγή/παύση και πλοήγηση κομματιών.

### Σημείωση:

- Εάν 2 συσκευές Bluetooth, συνδέονται για πρώτη φορά, και οι δύο σε αναζήτηση το ραδιόφωνο, θα δείξει τη διαθεσιμότητά του και στις δύο συσκευές. Ωστόσο, εάν μια συσκευή συνδεθεί με αυτή τη μονάδα πρώτα, τότε η άλλη συσκευή Bluetooth δεν θα τη βρει στη λίστα.
- Αν η συσκευή Bluetooth σας αποσυνδεθεί προσωρινά από το ραδιόφωνο, τότε πρέπει να επανασυνδεθείτε με μη αυτόματο τρόπο ξανά στο ραδιόφωνο.
- Αν το "DMR115" εμφανίζεται στη λίστα συσκευών Bluetooth σας, αλλά η συσκευή σας δεν μπορεί να συνδεθεί με αυτό, διαγράψτε το στοιχείο από τη λίστα σας και αντιστοιχίστε τη συσκευή με το ραδιόφωνο ακολουθώντας τα βήματα που περιγράφηκαν προηγουμένως.
- Η βέλτιστη περιοχή ροής Bluetooth είναι περίπου 10 μέτρα (γραμμική θέασης) στο ραδιόφωνο, αλλά είναι εφικτή απόσταση μέχρι 30 μέτρα.
- Σε περίπτωση απώλειας της σύνδεσης Bluetooth λόγω υπέρβασης του χρόνου διαχωρισμού, υπέρβασης της βέλτιστης απόστασης, εμποδίων ή με άλλο τρόπο, μπορεί να χρειαστεί να επανασυνδεθεί η συσκευή σας με το ραδιόφωνο.
- Τα φυσικά εμπόδια, άλλες ασύρματες συσκευές ή ηλεκτρομαγνητικές συσκευές ενδέχεται να επηρεάσουν την ποιότητα της σύνδεσης.

- Η απόδοση σύνδεσης Bluetooth μπορεί να διαφέρει ανάλογα με τις συνδεδεμένες συσκευές Bluetooth. Παρακαλούμε ανατρέξτε στις δυνατότητες Bluetooth της συσκευής σας πριν τη σύνδεση με το ραδιόφωνο. Όλα τα χαρακτηριστικά μπορεί να μην υποστηρίζονται σε ορισμένες συσκευές Bluetooth.

## Αναπαραγωγή αρχείων ήχου σε λειτουργία Bluetooth

Όταν έχετε συνδέσει με επιτυχία το ραδιόφωνο με την επιλεγμένη συσκευή Bluetooth μπορείτε να αρχίσετε να αναπαραγάγετε μουσική χρησιμοποιώντας τα χειριστήρια της συνδεδεμένης συσκευής Bluetooth.

1. Αφού αρχίσει η αναπαραγωγή, ρυθμίστε την ένταση στο απαιτούμενο επίπεδο χρησιμοποιώντας τα κουμπιά έντασης του ήχου στο ραδιόφωνο ή στην ενεργοποιημένη συσκευή Bluetooth.
2. Χρησιμοποιήστε τα χειριστήρια ελέγχου της συσκευής με δυνατότητα Bluetooth για αναπαραγωγή/παύση και πλοήγηση κομματιών. Εναλλακτικά, ελέγξτε την αναπαραγωγή χρησιμοποιώντας τα κουμπιά Αναπαραγωγή/Παύση, Επόμενο κομμάτι, Προηγούμενο κομμάτι στο ραδιόφωνο.
3. Πατήστε και κρατήστε πατημένο το κουμπί γρήγορη προώθηση ή ανατύλιξη για να μετακινηθείτε στο τρέχον κομμάτι. Αφήστε το κουμπί όταν φτάσετε στο σημείο που θέλετε.

### Σημείωση:

- Ορισμένες εφαρμογές ή συσκευές αναπαραγωγής μπορεί να μην ανταποκρίνονται σε όλες αυτές τις εντολές.
- Ορισμένα κινητά τηλέφωνα ενδέχεται να αποσυνδεθούν προσωρινά από το ραδιόφωνο όταν πραγματοποιείτε ή λαμβάνετε κλήσεις. Ορισμένες συσκευές ενδέχεται να απενεργοποιήσουν προσωρινά τον ήχο ροής Bluetooth όταν λαμβάνουν μηνύματα κειμένου, μηνύματα ηλεκτρονικού ταχυδρομείου ή για άλλους λόγους που δεν σχετίζονται με την μετάδοση ήχου. Αυτή η συμπεριφορά εξαρτάται από τη συνδεδεμένη συσκευή και δεν υποδεικνύει σφάλμα στο ραδιόφωνο.

## Αναπαραγωγή μιας προηγούμενης συνδεδεμένης συσκευής πηγής Bluetooth

Εάν η συσκευή Bluetooth σας έχει ήδη αντιστοιχιστεί με το ραδιόφωνο προηγουμένως, η μονάδα θα απομνημονεύσει τη συσκευή Bluetooth και θα προσπαθήσει να επανασυνδεθεί με τη συσκευή στη μνήμη με την οποία συνδέθηκε τελευταία. Εάν η τελευταία συνδεδεμένη συσκευή δεν είναι διαθέσιμη, το ραδιόφωνο θα είναι ανιχνεύσιμο.

## Αποσύνδεση της συσκευής Bluetooth

Πατήστε και κρατήστε πατημένο το κουμπί αντιστοίχισης Bluetooth για 2-3 δευτερόλεπτα μέχρι να εμφανιστεί η ένδειξη "BT Pair" στην οθόνη ή απενεργοποιήσετε το Bluetooth στη συσκευή Bluetooth για να απενεργοποιήσετε τη σύνδεση.

Μπορείτε επίσης να πατήσετε το κουμπί μπάντας για να επιλέξετε οποιαδήποτε λειτουργία διαφορετική από τη λειτουργία Bluetooth για να απενεργοποιήσετε τη σύνδεση.

## Διαγραφή της μνήμης συσκευής αντιστοίχισης Bluetooth

Για να διαγράψετε όλες τις αντιστοιχισμένες συσκευές, πατήστε και κρατήστε πατημένο το κουμπί αντιστοίχισης Bluetooth πάνω από 7 δευτερόλεπτα μέχρι να εμφανιστεί στην οθόνη η ένδειξη "Clearing".

## ΒΟΗΘΗΤΙΚΗ ΥΠΟΔΟΧΗ ΕΙΣΟΔΟΥ

Στην πρόσωση του ραδιοφώνου υπάρχει βοηθητική υποδοχή εισόδου 3,5 mm που επιτρέπει την είσοδο ηχητικού σήματος στη μονάδα από μια εξωτερική συσκευή ήχου, όπως συσκευή αναπαραγωγής MP3 ή CD.

1. Συνδέστε μια εξωτερική πηγή ήχου (για παράδειγμα, συσκευή αναπαραγωγής MP3 ή CD) στην υποδοχή AUX IN.
2. Πατήστε το κουμπί τροφοδοσίας για να ενεργοποιήσετε το ραδιόφωνο.
3. Πατήστε επανειλημμένα και αφήστε το κουμπί μπάντας μέχρι να εμφανιστεί η ένδειξη "AUX IN".
4. Για να έχετε την καλύτερη ποιότητα ήχου, συνιστούμε τη ρύθμιση της έντασης σε περισσότερο από τα δύο τρίτα του επιπέδου στο Bluetooth σας και να ρυθμίσετε την ένταση του ήχου στο ραδιόφωνο όπως απαιτείται.

### ΣΗΜΕΙΩΣΗ:

Το καλώδιο ήχου δεν περιλαμβάνεται ως στάνταρ αξεσουάρ.

## ΣΥΝΤΗΡΗΣΗ

### ⚠ ΠΡΟΣΟΧΗ:

- Ποτέ μην χρησιμοποιείτε βενζίνη, βενζίνη, διαλυτικό, αλκοόλ ή παρόμοια. Μπορεί να προκύψει αποχρωματισμός, παραμόρφωση ή ρωγμές.
- Μην πλένετε το ραδιόφωνο με νερό.

## ΠΡΟΔΙΑΓΡΑΦΕΣ

Απαιτήσεις ισχύος	
μετασχηματιστής AC	DC 12V 2,5A, κεντρική ακίδα θετικό
Μπαταρία	Συρόμενη μπαταρία: 10,8V - 18V
Κάλυψη συχνοτήτων	FM87,50-108MHz (0,05MHz/βήμα) DAB/DAB+ 174,928-239,200 MHz
DAB/DAB + Μπλοκ καναλιών	DAB (Banda III) 5A-13F
Συμβατό πρότυπο	DAB/DAB+

Bluetooth®	
(Το λεπτικό σήμα και τα λογότυπα Bluetooth® είναι καταχωρημένα εμπορικά σήματα που ανήκουν στην Bluetooth SIG, Inc.)	
Έκδοση Bluetooth	5.0 Πιστοποιημένο
Προφίλ Bluetooth	A2DP/SCMS-T/AVRCP
Ισχύς μετάδοσης	Κατηγορία ισχύος2
Εμβέλεια μετάδοσης	Βέλτιστη: Μέγιστο 10 μέτρα (33 πόδια) Εφικτό: Μέγιστο 30 μέτρα (100 πόδια) (ποικίλλει ανάλογα με τις συνθήκες χρήσης)
Κωδικοποιητής Bluetooth	SBC, AAC
Μέγιστη ισχύς ραδιοσυχνότητας	BT EDR: 1.91dBm BT LE: 0.21dBm
Συχνότητα λειτουργίας	2402MHz~2480MHz

Χαρακτηριστικά κυκλώματος	
Μεγάφωνο	2,5 ίντσες 8 ohm x 2 4 ίντσες 6 ohm x 1
Ισχύς εξόδου	10,8V-12Vmax: 2W x 2 + 10W 14,4V: 3W x 2 + 15W 18V: 5W x 2 + 25W
Ακροδέκτης εισόδου	3,5 mm διάμ. (AUX IN)
Σύστημα κεραίας	DAB/FM: Ενσωματωμένη κεραία
Διαστάσεις (Μ x Π x Υ)	268 x 164 x 295 mm
Βάρος	4,8 KG (χωρίς μπαταρία)

## GENEL GÖRÜNÜM AÇIKLAMASI (Resim 1)

1. Sap/Dahili anten(DAB/FM)
2. Pil bölmesi kilitletli yuvası
3. Pil yuvası kapağı (pil kartuşunu kapatır)
4. Hoparlör
5. DC giriş yuvası
6. Derin bas hoparlör
7. Güç düğmesi
8. Bant düğmesi
9. Gelişmiş ayar düğmesi
10. Bilgi düğmesi
11. LED ışık
12. Hazır Ayar 3/Oynat/Duraklat düğmesi
13. Hazır Ayar 5 düğmesi
14. Hazır Ayar 4/Sonraki parça/Hızlı ileri sarma düğmesi
15. Ses/Ayar kontrol/Seçim düğmesi
16. EQ kontrol düğmesi
17. AUX giriş yuvası
18. USB güç kaynağı bağlantı noktası
19. Otomatik ayar düğmesi
20. EQ modu LED göstergesi
21. Hazır Ayar 2/Önceki parça/Geri sarma düğmesi
22. Hazır Ayar 1/Bluetooth eşleştirme düğmesi
23. LCD ekran
24. Pil bölmesi
25. Yazılım yükseltme için Mikro USB bağlantı noktası

## SİMGELER

Aşağıdakiler ekipman için kullanılan sembelleri göstermektedir. Kullanmadan önce anlamlarını anladığınızdan emin olun.



Kullanma kılavuzunu okuyun.



Yalnızca AB ülkeleri için.

Elektrikli ekipmanı veya pil takımını ev atık malzemeleriyle birlikte çöpe atmayın! Elektrikli ve Elektronik Ekipmanların ve Piller ve Akümülatörlerin ve Atık Pillerin ve Akümülatörlerin Çöpe Atılmasında Avrupa Direktiflerinin yerine getirilmesi ve Avrupa Direktiflerinin ulusal kanunlara uygun olarak ömrünün sonuna gelmiş elektrikli ekipmanlar ve piller ile pil takımlarının ayrı olarak toplanması ve çevreye uyumlu bir geri dönüşüm tesisine iade edilmesinde uygulanması.

## ⚠ DİKKAT:

Elektrikli aletler kullanılırken, yangın, elektrik çarpması, aşağıdakiler de dahil olmak üzere kişisel yaralanma risklerinin azaltılması için temel güvenlik önlemlerine sürekli uyulmalıdır:

1. Kullanmadan önce bu kullanma kılavuzunu ile şarj cihazı kullanma kılavuzunu dikkatle okuyun.
2. Yalnızca kuru bezle temizleyin.
3. Radyatörler, kalorifer ızgaraları, soba veya ısı üreten diğer cihazlar (amplifikatörler de dahil) gibi herhangi bir ısı kaynağının yakınına kurmayın.
4. Yalnızca üretici tarafından belirtilen eklentileri/ aksesuarları kullanın.
5. Şimşekli fırtınalar sırasında veya çok uzun bir süre boyunca kullanılmadığında bu cihazı fişten çıkarın.
6. İçinde bulunan pillerle veya ayrı bir pil takımıyla çalışan bir radyo, ancak ilgili pile ait özel şarj cihazı ile şarj edilmelidir. Herhangi bir pil türü için uygun olan bir şarj cihazı, başka bir pile kullanıldığında yangın riski oluşturabilir.
7. Pille çalışan radyoyu özel olarak tasarlanmış pil takımlarıyla birlikte kullanın. Başka pillerin kullanımı yangın riski oluşturabilir.
8. Pil takımı kullanımda değilken pil takımını; kağıt ataçı, bozuk para, anahtar, çivi, civata veya diğer küçük metal nesnelere gibi bir kuptan diğerine bağlantı yapabilecek diğer metal nesnelere uzak tutun. Pil kutularının bir arada kısa devre yaptırılması kıvılcım, yanık veya yangına neden olabilir.
9. Boru, radyatör, ocak ve buzdolabı gibi topraklanmış yüzeylerle vücut temasından kaçının. Vücudunuzun toprakla temas etmesi halinde yüksek derece elektrik çarpması riski bulunmaktadır.
10. Kötü koşullar altında pilden sıvı boşalabilir; temas etmekten kaçının. Kaza ile temasta bulunulması durumunda su ile yıkayın. Sıvının gözle temas etmesi halinde tıbbi yardıma başvurun. Pilden çıkan sıvı tahrişe veya yanmaya neden olabilir.
11. Bozuk veya değiştirilmiş pil takımı veya araçlar kullanmayın. Bozuk veya değiştirilmiş piller; yangın, patlama veya yaralanma riskiyle sonuçlanan beklenmedik davranışlar sergileyebilirler.
12. Pil takımını veya aracı ateşe ya da aşırı sıcaklığa maruz bırakmayın. Ateşe veya 130 °C(266°F) derecenin üzerinde sıcaklığa maruz kalması patlamaya neden olabilir.
13. Tüm şarj talimatlarını izleyin ve pil takımını ya da aracı talimatlarda belirtilen sıcaklık aralıklarının dışında şarj etmeyin. Uygun olmayan koşullarda veya belirtilen sıcaklık aralıklarının dışında şarj etmek pile zarar verebilir ve yangın riskini artırabilir.
14. Cihazın bağlantısının kesilmesi için ANA ŞEBEKE fişi kullanılır ve cihaz kolayca çalışır durumda kalır.

15. Ürünü hiç bir zaman uzun süre boyunca yüksek seste kullanmayın. Herhangi bir duyma bozukluğundan kaçınmak için ürünü orta ses seviyesinde kullanın.
16. (Yalnızca LCD ekranlı ürünler için) LCD ekranlar, tahriş ve zehirlenmeye neden olabilecek sıvı içermektedir. Sıvı maddenin gözler, ağız veya ciltle temas etmesi durumunda suyla yıkayın ve bir doktor çağırın.
17. Ürünün yağmur veya ıslak koşullara maruz kalmasına izin vermeyin. Ürüne giren su elektrik çarpması riskini artırır.
18. Bu ürün, kendilerine güvenliklerinden sorumlu bir kişi tarafından ürünün kullanımına ilişkin olarak gözetim ve talimatlar verilmediği sürece, fiziksel, duyuşsal veya zihinsel kabiliyetleri sınırlı veya deneyimsiz ve bilgisi olmayan kişilerin (çocuklar da dahil) kullanımı amaçlı değildir. Çocukların ürünle oynamadıklarından emin olunması için kontrol edilmesi gerekmektedir. Ürünü çocukların ulaşamayacağı bir yerde muhafaza edin.

## BU TALİMATLARI KAYDEDİN

### ÖZEL GÜVENLİK KURALLARI

#### PİL KARTUŞU İÇİN

1. PİL kartuşu kullanmadan önce (1) pil şarj cihazı, (2) pil ve (3) pil kullanan ürün üzerinde bulunan tüm talimatları ve uyarı işaretlerini okuyun.
2. PİL kartuşunu sökmeyin.
3. Çalışma süresinin aşırı kısa olması durumunda, hemen çalışmayı durdurun. Bu durum aşırı ısınma, olası yanıklar ve hatta patlama riskine neden olabilir.
4. Gözlerinize elektrolit kaçması durumunda, temiz su ile gözlerinizi yıkayın ve derhal tıbbi yardıma başvurun. Aksi takdirde görme kaybı yaşayabilirsiniz.
5. PİL kartuşunu kısa devre yaptırmayın:
  - (1) Kutuylara herhangi bir iletken malzeme ile dokunmayın.
  - (2) PİL kartuşunu; çivi, bozuk para vb. gibi diğer metal nesnelere birlikte aynı kutuda bulundurmaktan kaçının.
  - (3) PİL kartuşunu suya veya yağmura maruz bırakmayın. Pilin kısa devre yapması büyük bir akıma, aşırı ısınmaya, olası yanıklara ve hatta arızaya neden olabilir.
6. Aracı ve pil kartuşunu sıcaklığın 50°C (122°F) dereceye ulaştığı veya geçtiği yerlerde muhafaza etmeyin.
7. PİL kartuşunu ciddi şekilde tahriş olmuş veya tamamen yıpranmış olsa bile yakmayın. PİL kartuşu herhangi bir yangın sırasında patlayabilir.
8. Pili düşürmemeye veya çarpmamaya dikkat

- gösterin.
9. Hasarlı pili kullanmayın.
10. Riski ortadan kaldırmak için, kullanmadan önce değiştirilen pilin kullanım kılavuzu okunmalıdır. Ve pilin maksimum deşarj akımı 8A eşit veya büyük olmalıdır.
11. İçerisinde lityum-iyon bulunan piller Tehlikeli Maddeler Mevzuatı gereksinimlerine tabidir. Ticari taşımlar için, yani üçüncü taraflar, nakliye acenteleri için, ambalaj ve etiketlemede özel gereksinimlerin yerine getirilmesi gerekir. Sevk edilen malzemenin hazırlanması için, tehlikeli madde uzmanına danışılması gerekir. Lütfen ayrıca muhtemel daha ayrıntılı bilgiler içeren ulusal düzenlemeleri de dikkate alın. AÇIK temas noktalarını bantlayın veya kapatın ve pili ambalaj içerisinde hareket etmeyecek şekilde ambalajlayın.
12. PİL kartuşunu çöpe atarken, araçtan çıkarın ve güvenli bir yere atın. Pilin atılmasıyla ilgili, yerel düzenlemelere uygun hareket edin.
13. Pilleri, yalnızca Makita tarafından belirtilen ürünlerle kullanın. Pillerin, uyumlu olmayan ürünlere takılması yangın, aşırı ısınma, patlama veya elektrolit sızıntısına neden olabilir. Araç uzun süre boyunca kullanılmamışsa, bataryanın araçtan çıkarılması gereklidir.

#### ⚠ DİKKAT:

- **Pilin yanlış takılması durumunda patlama tehlikesiyle karşı karşıya kalınabilir.**
- **Pili, aynı türden veya eşdeğer bir pille değiştirin.**
- **Yalnızca orijinal Makita pilleri kullanın, kullanın. Orijinal olmayan Makita pilleri veya değiştirilmiş piller kullanılması, yangın, kişisel yaralanma ve hasara neden olabilecek pil patlamasıyla sonuçlanabilir. Bu aynı zamanda Makita aracı ve şarj cihazı için Makita garantisini de geçersiz kılacaktır.**

#### Maksimum pil ömrü elde etmek için ipuçları

1. Tamamen şarjı bitmeden önce pil kartuşunu şarj edin. Araçta enerjinin az olduğunu farkettiğinizde daima aracın çalışmasını durdurun ve pil kartuşunu şarj edin.
2. Tam şarj edilmiş pil kartuşunu hiç bir zaman yeniden şarj etmeyin. Aşırı şarj pilin çalışma ömrünü kısaltır.
3. PİL kartuşunu 10°C - 40°C (50°F - 104°F) derece oda sıcaklığında şarj edin. Isınmış pil kartuşunu şarj etmeden önce soğumasını bekleyin.
4. Uzun süre kullanmadığınız durumlarda (altı aydan fazla süredir) pil kartuşunu şarj edin.

# ÇALIŞMA SÜRESİ

Bu radyo için uygun piller aşağıdaki tabloda listelenmiştir.

Aşağıdaki tabloda tek bir şarjla çalışma süresi gösterilmektedir.

Pil kapasitesi	Pil kartuşu voltajı			HOPARLÖR ÇIKIŞINDA = 100mW Birim: Saat (Yaklaşık)	
	10.8V –12Vmax	14.4V	18V	Radyoda ya da AUX'de	Bluetooth + USB ile Şarjda
1.3 Ah		BL1415		3.5	0.7
			BL1815	4.0	1.0
1.5 Ah	BL1015 BL1016			5.5	0.8
		BL1415N BL1415NA		4.5	0.9
			BL1815N	5.0	1.2
2.0 Ah	BL1020B BL1021B			7.0	1.0
			BL1820 BL1820B	6.5	1.6
3.0 Ah		BL1430 BL1430B BL1430A		8.0	1.6
			BL1830 BL1830B	9.0	2.3
4.0 Ah	BL1040B BL1041B			14	2.1
		BL1440		12	2.5
			BL1840 BL1840B	13	3.2
5.0Ah		BL1450		15	3.0
			BL1850 BL1850B	16	4.2
6.0 Ah		BL1460B BL1460A		16	3.3
			BL1860B	20	5.0

## ⚠ DİKKAT:

Yalnızca yukarıda listelenen pil kartuşlarını kullanın. Başka pil kartuşlarının kullanılması yaralanma ve/veya yangına neden olabilir.

## NOT:

- Yukarıdaki pil çalışma süresine ilişkin tablo, bilgi amaçlıdır.
- Gerçek çalışma süresi pil türü, şarj koşulu veya kullanma ortamına göre farklılık gösterebilir.
- Yukarıda listelenen bazı pil kartuşları ve şarj cihazları, ikamet ettiğiniz bölgeye bağlı olarak bulunamayabilir.

# TAKMA VE GÜÇ KAYNAĞI (SRES.2)

## ⚠ DİKKAT:

- Pil kapağını açarken veya kapatırken parmaklarınızı sıkıştırmamak için dikkat edin.
- Pil kartuşunu taktıktan veya çıkardıktan sonra pil bölmesi kilidini orijinal konumuna getirin. Yerine tam olarak yerleştirilmediği takdirde pil kartuşu kaza ile radyodan dışarı düşebilir ve size veya çevrenizdeki başka kişilere zarar verebilir.
- Radyoyu taşımadan önce her zaman pil yuvası kilidini kapatın ve kilitleyin.
- Pil kartuşunu takmadan veya çıkarmadan önce her zaman radyoyu kapatın.
- Radyoyu düşürmemeye veya çarpmamaya dikkat gösterin. Kırık gövde parmağınızı kesebilir veya vücudunuza bataabilir. Bozuk radyo; yangın, patlama veya yaralanma riskiyle sonuçlanan beklenmedik davranışlar sergileyebilir.

## ÖNEMLİ:

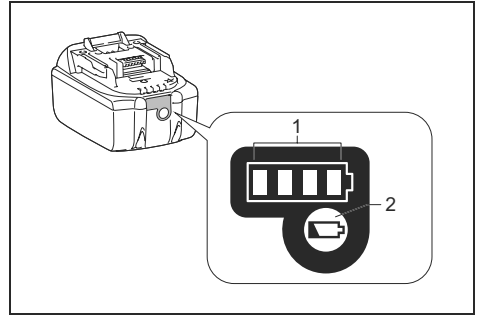
- Düşük güç, bozulma, "kesik kesik ses" veya " ! Düşük Pil" gibi şeylerin ekranda görünmesi durumunda tüm bunlar ana pil paketinin değiştirilmesi gerektiğini gösterir.
- Pil kartuşu verilen AC güç adaptörüyle şarj edilemez.
- Pil kartuşu standart aksesuarlara dahil değildir.

## Kayan pil kartuşunun takılması ve çıkarılması (Resim 3 ve 4)

- Pil kartuşunu takmak için pil kartuşundaki dili muhafaza içindeki yivle aynı hizaya getirin ve yerine doğru kaydırın. Her zaman küçük bir tık sesiyle yerine tam olarak oturana kadar yerleştirin.
- Düğmenin üst tarafında kırmızı göstergesi görebiliyorsanız tamamen oturmuş demektir. Kırmızı gösterge görünmeyene kadar tam olarak yerine yerleştirin. Yerine tam olarak yerleştirilmediği takdirde pil kaza ile radyodan dışarı düşebilir ve size veya çevrenizdeki başka kişilere zarar verebilir.
- Pil kartuşunu takarken güç kullanmayın. Kartuş rahatça kaymıyorsa, doğru yerleştirilmemiş demektir.
- Pil kartuşunu çıkarmak için, kartuşun ön kısmındaki düğmeyi kaydırırken pil kartuşunu radyodan kaydırarak çıkarın.

## Kalan pil kapasitesinin gösterilmesi

\* **Yalnızca model numarasının sonunda "B" harfi olan pil kartuşları için.**



## ➤ 1. Gösterge lambaları 2. Kontrol düğmesi

Kalan pil kapasitesinin gösterilmesi için pil kartuşundaki kontrol düğmesine basın. Gösterge lambaları birkaç saniye süre ile yanacaktır.

## • 14.4V/18V piller

Gösterge veya lambalar			Kalan kapasite
Yanıyor	Kapalı	Yanıp Sönüyor	
■	□	▣	75% ~ 100%
■ ■ ■ ■			
■ ■ ■ □			50% ~ 75%
■ ■ □ □			25% ~ 50%
■ □ □ □			0% ~ 25%
▣ □ □ □			Pili şarj et
■ ■ □ □	↑	■ ■	Pil arızalanmış
□ □ ■ ■	↓		

## • 10.8V-12V maks piller

Gösterge veya lambalar			Kalan kapasite
Yanıyor	Kapalı	Yanıp Sönüyor	
■	□	▣	75% ~ 100%
■ ■ ■ ■			
■ ■ ■ □			50% ~ 75%
■ ■ □ □			25% ~ 50%
■ □ □ □			0% ~ 25%

## NOT:

Kullanım koşulları ve ortam sıcaklığına bağlı olarak,

gösterge gerçek kapasiteden biraz farklı olabilir.

## Birlikte verilen AC güç adaptörünün kullanılması

Lastik koruyucuyu çıkarın ve adaptör fişini radyonun sağ tarafından bulunan DC yuvasına takın. Adaptörü standart ana şebeke fişi çıkışına takın. Adaptörü her kullandığınızda pil takımının bağlantısı otomatik olarak kesilir.

### ⚠️ DİKKAT:

- Radyoyu taşımadan önce her zaman AC güç adaptörü bağlantısını kesin. AC adaptörü çıkarılmazsa elektrik çarpmasına neden olabilir.
- Hiçbir zaman adaptörün kablosunu çekmeyin ve/veya sürüklemeyin. Yerine tam olarak yerleştirmediği takdirde pil kaza ile düşebilir ve size veya çevrenizdeki başka kişilere zarar verebilir.

### ÖNEMLİ:

- Radyonun ana şebeke güç kaynağına bağlantısını sağlama aracı olarak şebeke adaptörü kullanılır. Radyo için kullanılan ana şebeke yuvası normal kullanım sırasında her zaman erişilebilir olmalıdır.
- Radyonun bağlantısının tamamen kesilmesi için, ana şebeke adaptörü ana şebeke çıkış noktasından tamamen çıkarılmalıdır.
- Yalnızca ürünle birlikte verilen veya Makita tarafından belirtilen AC güç adaptörü kullanın.
- Güç kablosunu ağzınızla tutup takmayın. Böyle yaptığınızda elektrik çarpmasına neden olabilir.
- Güç kablosuna ıslak veya yağlı ellerle dokunmayın.
- Zarar görmüş veya düğümlenmiş kablolar elektrik çarpması riskini artırır. Kablo hasar gördüğünde, herhangi bir güvenlik tehlikesini önlemek için yetkili servis merkezimizde kablounuzu değiştirin. Onarmadan önce onu kullanmayın.
- Kullandıktan sonra AC güç adaptörünü her zaman çocukların erişemeyeceği bir yerde muhafaza edin. Çocukların kabloyla oynaması yaralanmalarına neden olabilir.

## USB güç kaynağı bağlantı noktası ile şarj etme

Radyonun ön kısmında bir USB bağlantı noktası vardır. USB cihazınızı USB bağlantı noktası aracılığıyla şarj edebilirsiniz.

1. MP3 veya CD çalar gibi cihazlarınızı piyasada bulunan USB kablolarıyla bağlayabilirsiniz.
2. Radyonuzu açmak için Power (Güç) düğmesine basın.
3. Radyonuz ister AC güce, isterse pile bağlı olsun; açık olduğunda, DAB/FM radyo modunda, BT modunda, harici bir ses kaynağı bağlandığında görünecek AUX modunda olduğunda, USB cihazı şarj edebilir.

### Not:

- USB ile şarj edildiği esnada hoparlörün maksimum ses çıkışı azalacaktır.
- USB soketi maksimum 5V/2.4A elektrik akımı sağlayabilir.

### Önemli:

- USB cihazını şarja bağlamadan önce her zaman USB cihazındaki verileri yedekleyin. Aksi takdirde verilerinizi kaybetme olasılığıyla karşı karşıya kalabilirsiniz.
- Şarj cihazını bazı USB cihazlarına güç sağlamayabilir.
- Kullanmadığınızda veya şarjdan sonra USB kablosunu çıkarın ve kapağını kapatın.
- USB bağlantı noktasına güç kaynağı bağlamayın. Aksi takdirde yangın riski olabilir. USB bağlantı noktası yalnızca düşük voltaj cihazların şarj edilmesi amaçlıdır. Düşük voltajlı cihazı şarj etmediğiniz zamanlarda daima kapağı USB bağlantı noktasına takın.
- USB güç kaynağı bağlantı noktasına çivi, tel vb. gibi cisimler sokmayın. Aksi takdirde olabilecek bir kısa devre dumana ve yangına neden olacaktır.
- Büyük ihtimalle ünitelerin arızalanmasına neden olabileceğinden bu USB yuvası ile Bilgisayarınızın USB bağlantı noktası arasında bağlantı yapmayın.

## RADYO DİNLEME

Bu radyoda üç ayar yöntemi vardır - Tarama ile ayarlama, Manüel ayarlama ve Hafızadaki ön ayarların yüklenmesi.

### Bir istasyon seçimi – DAB

#### Not:

DAB anteni kulp içerisine yerleştirilmiştir. Radyo çalışırken lütfen daha iyi sinyal yakalamak için radyonun üzerindeki kolu iyice düzeltin.

1. Radyonuzu açmak için Power (Güç) düğmesine basın.
2. Bant düğmesine basarak DAB modu seçin.
3. İstasyon listesini girmek için Ayar Kontrol düğmesine basın. Veya, Gelişmiş Ayar düğmesine de basabilir ve daha sonra "İstasyon Listesini" seçmek için Ayar Kontrol düğmesini döndürebilirsiniz. İstasyon listesini girmek için Ayar Kontrol düğmesine basın.
4. Dinlenebilir istasyonlar listesi arasında gezinmek için Ayar Kontrol düğmesini çevirin. İstasyon seçmek için Ayar kontrol düğmesine basın.
5. Ses düğmesini çevirerek istediğiniz ses seviyesini ayarlayın.

### Ekran modları – DAB

Radyonuzun DAB modunda bir dizi ekran seçeneği vardır.

Farklı seçenekler arasında geçiş yapmak için Bilgi

düğmesine basın.

- a. Dinamik Etiket Segmenti DAb veya DAB+radyo programı ile birlikte çalışan, metin biçiminde ek veri hizmetleri (128 karaktere kadar). Sanatçı/parça ismi, telefon numarası vb gibi kayan metin mesajları gösterir.
- b. Program türü Pop, Klasik, Haber vb gibi dinlenmekte olan istasyonun türünü gösterir.
- c. Çoğullama adı Mevcut istasyonun ait olduğu DAB çoğullama adını gösterir.
- d. Frekans ve kanal Şu anda ayarlanan DAB istasyonu için frekans ve kanal numarasını gösterir.
- e. Sinyal hatası/ gücü Dinlenen istasyon için sinyal hatasını ve gücünü gösterir. Daha düşük hata sayısı daha iyi radyo sinyali kalitesini gösterir.
- f. Bit hızı/ Ses türü Şu anda ayarlanan DAB istasyonu için dijital ses bit hızı ve ses türünü gösterir.
- g. Tarih Geçerli tarihi gösterir.

DAB yayını bir slayt gösterisi resmi verirse, bu Ayar Kontrol düğmesine basılı tutun tam ekran görüntülenebilir. Alınan yayının stereo olması durumunda, ekranın alt kısmında stereo hoparlör sembolü görüntülenecektir.

### Yeni istasyonlar bulunması – DAB

Zaman zaman, dinlenebilir yeni DAB radyo istasyonları çıkabilir. Veya ülkenin başka bir yerine gidebilirsiniz. Bu durumda yeni istasyonları taraması için radyonuzu etkinleştirmeniz gerekebilir. Radyonun dinlenebilen istasyonları bulmasını sağlamak için, DAB Bant III frekanslarının tamamının bir taramasının yapılması önerilir.

1. Radyonuzu açmak için Power (Güç) düğmesine basın.
2. DAB radyo modunu seçmek için Bant düğmesine basın.
3. Taramayı başlatmak için Otomatik ayar düğmesine basın. Ekranda "Taranıyor" ifadesi görüntülenecek ve radyonuz DAB Bant III frekanslarında tarama gerçekleştirecektir. Yeni istasyonlar bulunduğu istasyon sayacı artacak ve istasyonlar listeye eklenecektir. Çubuk grafik taramanın durumunu gösterir.

### Manüel ayarlama – DAB

Manüel ayarlama ile radyonuzu Bant III'de belirli bir DAB frekansına ayarlayabilirsiniz. Bu işlev

ayrıca antenin veya radyonun belirli bir kanalı veya frekansı yakalamasını en iyi hale getirecek şekilde konumlandırılmasına yardım etmek için de kullanılabilir.

1. DAB modundayken, menü ayarına girmek için Gelişmiş ayar düğmesine basın.
2. "Elle Ayar" seçeneğini seçmek için Ayar kontrol düğmesini döndürün. Elle ayar moduna girmek için Ayar kontrol düğmesine basın.
3. İstedığınız DAB kanalını seçmek için Ayar Kontrol düğmesini döndürün. Seçilen frekansı onaylamak için Ayar Kontrol düğmesine basın.

### Dinamik Aralık Kontrolü (DRC) – DAB

DRC özelliği; radyonuz gürültülü bir ortamda kullanıldığında, ses sinyalinin dinamik aralığını azaltarak daha sessiz seslerin kolay duyulabilmesini sağlar. Üç sıkıştırma seviyesi vardır:

- |     |                                |
|-----|--------------------------------|
| 1   | Maksimum sıkıştırma uygulanır. |
| 1/2 | Orta sıkıştırma uygulanır.     |
| 0   | Hiç sıkıştırma uygulanmaz.     |

1. DAB modundayken, menü ayarına girmek için Gelişmiş ayar düğmesine basın.
2. "DRC" seçeneğini seçmek için Ayar Kontrol düğmesini döndürün. Daha sonra ayarlara girmek için Ayar Kontrol düğmesine basın. Ekranda geçerli DRC değeri gösterilir.
3. İsteddiğiniz DRC ayarını seçmek için Ayar Kontrol düğmesini döndürün.
4. Ayarları onaylamak için Ayar Kontrol düğmesine basın.

### İstasyon sırası ayarlama – DAB

Radyonuzda seçebileceğiniz 3 istasyon sırası ayarı vardır. İstasyon sırası ayarları; alfasayısal, toplama ve geçerli istasyon şeklidir.

1. DAB modundayken, menü ayarına girmek için Gelişmiş ayar düğmesine basın.
2. "İstasyon sırası" seçmek için Ayar Kontrol düğmesini döndürün ve daha sonra ayarı girmek için Ayar Kontrol düğmesine basın.
3. Aşağıdaki seçenekleri seçmek için Ayar Kontrol düğmesini döndürün ve ayarı onaylamak için Ayar Kontrol düğmesine basın.

Alfasayısal	İstasyon istesini alfa- sayısal olarak 0...9 A...Z arasında sıralar.
Toplama	İstasyon listesini DAB çoğullamaya göre düzenler.
Geçerli	Yalnızca herhangi bir sinyalin bulunabildiği istasyonları gösterir.



## Tarama Ayarı – FM

### Not:

FM anteni kulp içerisine yerleştirilmiştir. Radyo çalışırken lütfen daha iyi sinyal yakalamak için radyonun üzerindeki kolu iyice düzeltin.

1. Radyonuzu açmak için Power (Güç) düğmesine basın.
2. FM radyo modnu seçmek için Bant düğmesine basın.
3. Otomatik ayar düğmesine bastığınızda radyonuz arama yapacak ve bir istasyon bulunduğunda otomatik olarak duracaktır.
4. Birkaç saniye sonra ekran güncellenecektir. Ekran bulunan sinyalin frekansını gösterecektir. Sinyal yeterince güçlüyse ve RDS verisi varsa, bu durumda radyoda istasyon adı gösterilecektir.
5. Başka istasyon bulmak için, önceden olduğu gibi Otomatik ayar düğmesine basın.
6. Dalga bandının sonuna ulaşıldığında radyonuz ayar işlemine dalga bandının karşı ucundan tekrar başlayacaktır.
7. Ses seviyesini gerektiği gibi ayarlamak için Ses düğmesini çevirin.

### Not:

- Ses çok fazla olmamalıdır. Olası duyma hasarını önlemek için, uzun süre boyunca yüksek ses seviyelerinden dinlemeyin.
8. Radyonuzu kapatmak için Power (Güç) düğmesine basın.

## Manüel Ayarlama – FM

1. Radyonuzu açmak için Power (Güç) düğmesine basın.
2. FM radyo modnu seçmek için Bant düğmesine basın.
3. Ayar kontrol moduna geçiş yapmak için Ayar kontrol düğmesine basın.
4. İsteddiğiniz istasyonu bulmak için Ayar kontrol düğmesini döndürün.
5. Ses seviyesini ayarlamak için, ses kontrol moduna geçiş yapmak için tekrar Ayar kontrol düğmesine basın.
6. Ses seviyesini gerektiği gibi ayarlamak için Ses düğmesini çevirin.

## Ekran modları – FM(RDS)

Radyonuzun FM radyo modunda bir dizi ekran seçeneği vardır.

Ekranın alt kısmındaki RDS göstergesi, alınan yayında bazı RDS verilerinin olduğunu gösterir. Stereo hoparlör ekranı radyonun stereo yayını aldığını gösterir.

Dinlediğiniz istasyonun RDS (Radyo Veri Sistemi) bilgisini görmek için üst üste Info düğmesine basın.

- a. Radyo metni Yeni şeyler vb gibi radyo metin mesajlarını gösterir.

- b. Program türü Pop, Klasik, Haber vb gibi dinlenmekte olan istasyonun türünü gösterir.
- c. Frekans FM sinyalinin frekansını gösterir. (Herhangi bir RDS bilgisi yoksa, ekranda "Ad Yok" yazısı gösterilecektir.
- d. Ses modu Geçerli ses modunu gösterir
- e. Tarih Geçerli tarihi gösterir.

## FM tarama bölgesi

FM modunu kullanırken, radyonuzda yerel ya da uzak radyo istasyonları da dahil hiç bir istasyonu ayarlayamazsınız.

1. FM modundayken, menü ayarına girmek için Gelişmiş ayar düğmesine basın.
2. "Tarama bölgesi" seçeneğini seçmek için Ayar kontrol düğmesini döndürün. Ayarlara girmek için Ayar kontrol düğmesine basın. Geçerli ses ayarı bir onay işareti ile gösterilmiştir.
3. "Yerel" (yalnızca Güçlü istasyonlar ve "Uzak" (Tüm istasyonlar) seçmek için Ayar kontrol düğmesini döndürün. Uzak seçeneği, tarama sırasında radyonun daha zayıf sinyalleri bulmasını sağlayacaktır.
4. Ayarları onaylamak için Ayar kontrol düğmesine basın. Yerel veya Uzak ayarı radyoda kaydedilir ve değiştirilene veya Sistem Sıfırlamasına kadar geçerli kalır.

## Stereo/Mono ayarı – FM

Dinlenen FM radyo istasyonunun zayıf sinyalinin olması durumunda bazı tıs sesleri duyulabilir. Bu tıs sesleri, radyonun istasyonu stereo yerine mono olarak dinletmesiyle azaltılabilir.


1. Radyonuzun FM modunda olduğundan ve istenen FM istasyonunu aradığınızdan emin olun.
2. Menü ayarına girmek için Gelişmiş ayar düğmesine basın.
3. "Ses Ayarı" seçeneğini seçmek için Ayar kontrol düğmesini döndürün. Ayarlara girmek için Ayar kontrol düğmesine basın. Geçerli ses ayarı bir onay işareti ile gösterilmiştir.
4. "Zorunlu Mono" veya "Stereo'ya İzin Var" seçmek için Ayar kontrol düğmesini döndürün. Ayarları onaylamak için Ayar kontrol düğmesine basın.

## İstasyonların DAB ve FM modunda önceden ayarlanması.

Her DAB ve FM radyo için 5 hazır ayar istasyon vardır. Bunlar her dalga için aynı şekilde kullanılır.

1. Radyonuzu açmak için Power (Güç) düğmesine basın.
2. İstenilen dalga bandını seçmek için Bant düğmesine

basın. Önceden de açıklandığı gibi gereken radyo istasyonunu bulun.

- Ekranında "Hazır Ayar 1 Kaydedildi" gösterilene kadar, (örneğin) Hazır Ayar düğmesine basılı tutun.  ekranın en altında gösterilecektir. İstasyon daha sonra seçilen Ön ayar düğmesine kaydedilir. Geri kalan ön ayarlarda da bu prosedürü dilediğiniz gibi tekrarlayın.
- Zaten kaydedilmiş hazır ayarlı istasyonlar gerektiğinde yukarıdaki prosedürle silinip üzerine yazılabilir.

## DAB ve FM modlarında bir hazır ayarı geri getirme

- Radyonuzu açmak için Power (Güç) düğmesine basın.
- DAB veya FM radyo modunu seçmek için Bant düğmesine basın.
- Radyonuzla hazır ayar hafızasında kayıtlı istasyonlardan birisini bulmak için bir anlığına gereken Hazır Ayar düğmesine basın.

## ÇEŞİTLİ AYARLAR

### Saatin otomatik güncellenmesi

Radyonun saatini DAB veya FM radyo yayınlarından ayarlamasını seçebilirsiniz. Herhangi bir güç kesintisinden sonra radyo kendi saatini, radyonuzu DAB veya FM Modunda açtığınız sonraki saate ayarlayacaktır.

- Radyonuz açık konumdayken, menüden geçerli moda erişmek için Gelişmiş ayar düğmesine basın.
- "Saat/Tarih" seçeneğini seçmek için Ayar kontrol düğmesini döndürün. Ayarlara girmek için Ayar kontrol düğmesine basın.
- "Otomatik Güncelleme" seçeneğini seçmek için Ayar kontrol düğmesini döndürün. Otomatik güncelleme menüsü girmek için Ayar Kontrol düğmesine basın.
- Gerektiği gibi "Herhangi bir kaynaktan", "DAB'dan" veya "FM'den" olmak üzere bir güncelleme seçeneği seçmek için Ayar kontrol düğmesini döndürün. Seçiminizi onaylamak için Ayar kontrol düğmesine basın. Geçerli ayar bir tik işaretiyle işaretlenecektir.

### Saat biçiminin ayarlanması

- Radyonuz açık konumdayken, menüden geçerli moda erişmek için Gelişmiş ayar düğmesine basın.
- "Saat/Tarih" seçeneğini seçmek için Ayar kontrol düğmesini döndürün. Ayarlara girmek için Ayar kontrol düğmesine basın.
- "12/24 Saat" seçeneğini seçmek için Ayar kontrol düğmesini döndürün. Saat biçimi ayarına girmek için Ayar Kontrol düğmesine basın. Geçerli saat görüntüleme biçimi bir onay işareti ile işaretlenir.

- 12 veya 24 saat formatından birisini seçmek için Ayar kontrol düğmesini döndürün. Ayarı onaylamak için Ayar kontrol düğmesine basın. 12 saat formatı seçilmişse, radyo AM veya PM göstergesiyle 12 saat formatı gösterecektir.

### Tarih biçiminin ayarlanması

- Radyonuz açık konumdayken, menüden geçerli moda erişmek için Gelişmiş ayar düğmesine basın.
- "Saat/Tarih" seçeneğini seçmek için Ayar kontrol düğmesini döndürün. Ayarlara girmek için Ayar kontrol düğmesine basın.
- "Tarih Formatını Ayarla" seçeneğini seçmek için Ayar kontrol düğmesini döndürün. Ayarlara girmek için Ayar kontrol düğmesine basın.
- "DD-MM-YYYY" veya "MM-DD-YYYY" tarih formatı seçeneğini seçmek için Ayar kontrol düğmesini döndürün. Ayarları onaylamak için Ayar kontrol düğmesine basın.

### Ses gücü

Yüksek ses fonksiyonunu ayarlamak için radyonuzun düşük ve yüksek frekanslarda çalışmasını sağlayabilirsiniz.

- Radyonuz açık konumdayken, menüden geçerli moda erişmek için Gelişmiş ayar düğmesine basın.
- "Ses Gücü" seçeneğini seçmek için Ayar kontrol düğmesini döndürün. Ayarlara girmek için Ayar kontrol düğmesine basın.
- Ses gücü fonksiyonunu açmak için "Açık" seçeneğini seçmek için Ayar kontrol düğmesini döndürün. Ses gücü fonksiyonunu kapatmak için "Kapalı" seçeneğini seçin. Ayarları onaylamak için Ayar kontrol düğmesine basın.

### Dil seçenekleri

Radyoda kullanılabilir sekiz dil seçeneği vardır: İngilizce, Almanca, İtalyanca, Fransızca, Hollandaca, Danca, Norveççe ve Polonyaca.

- Radyonuz açık konumdayken, menüden geçerli moda erişmek için Gelişmiş ayar düğmesine basın.
- "Dil" seçeneğini seçmek için Ayar kontrol düğmesini döndürün. Ayarlara girmek için Ayar kontrol düğmesine basın.
- İstediğiniz dili seçmek için Ayar kontrol düğmesini çevirin. Ayarı onaylamak için Ayar kontrol düğmesine basın.

### Fabrika ayarına sıfırlama

Radyonuzu tamamen ilk haline sıfırlamak isterseniz, bu işlem bu prosedür izlenerek gerçekleştirilebilir. Fabrika ayarlarına sıfırlama işlemi gerçekleştirildiğinde kullanıcı tarafından girilen tüm ayarlar silinir.

- Radyonuz açık konumdayken, menüden geçerli

- moda erişmek için Gelişmiş ayar düğmesine basın.
2. "Fabrika Ayarlarına Sıfırla" seçeneğini seçmek için Ayar kontrol düğmesini döndürün. Ayarlara girmek için Ayar kontrol düğmesine basın.
  3. "Evet" veya "Hayır" seçeneğini seçmek için Ayar kontrol düğmesini döndürün. Sistem sıfırlama yapmak istemiyorsanız, "Hayır" seçeneğini seçin ve daha sonra ayarı onaylamak için Ayar kontrol düğmesine basın. "Evet" seçiliyken Ayar kontrol düğmesine basın. Tam sıfırlama gerçekleştirilecektir. İstasyon listesi ve hazır ayarlar silinecek. Tüm ayarlar varsayılan değerlerine ayarlanacaktır.

Statik elektrik boşalması nedeniyle herhangi bir arıza olması durumunda ürünün normal çalışmaya devam etmesi için ürünü sıfırlayın (güç kaynağının yeniden bağlanması gerekebilir).

## Yazılım yükseltme için Mikro USB bağlantı noktası

Gelecekte radyonuz için yazılım güncellemeleri olabilir. Yazılım güncellemeleri çıktıkça, radyonuzu nasıl güncelleyeceğinize dair yazılı ve bilgiler **Makita web sitesinde** bulunabilir.

1. Pili bölmesinde ve PC'nizdeki USB yuvasına bağlamak için Mikro USB kablosu (verilmemiştir) kullanımı.
2. Radyonuz açık konumdayken, menüden geçerli moda erişmek için Gelişmiş ayar düğmesine basın.
3. "Yazılım Güncelleme" seçeneğini seçmek için Ayar kontrol düğmesini döndürün. Ayarlara girmek için Ayar kontrol düğmesine basın.
4. "Evet" veya "Hayır" seçeneğini seçmek için Ayar kontrol düğmesini döndürün. Yazılım güncellemesi yapmak istemiyorsanız, "Hayır" seçeneğini seçin ve ayarı onaylamak için Ayar kontrol düğmesine basın. "Evet" seçiliyken Ayar kontrol düğmesine basın. Ekranda "PC Sihirbazı için bekleniyor" yazısı gösterilecektir. En son yazılımı indirmek için Web sitesine gidin. Yazılım yükseltmesini tamamlamak için PC'nizde verilen yazılım yükseltmesi ekranında gösterilen talimatları takip edin.

### Not:

Yazılımı yükseltirken ana güç kaynağı olarak lütfen AC güç adaptörü kullanın. Güncelleme işlemi tamamlanana ve radyo tekrar çalışana kadar radyonun güç bağlantısını kapatmayın, aksi takdirde birim kalıcı olarak zarar görebilir.

## Yazılım sürümü

1. Radyonuz açık konumdayken, menüden geçerli moda erişmek için Gelişmiş ayar düğmesine basın.
2. "Yazılım Sürümü" seçeneğini seçmek için Ayar kontrol düğmesini döndürün. Yazılım sürümünü görüntülemek için Ayar kontrol düğmesine basın.

## Ekolayzer fonksiyonu

Farklı EQ modlarını göstermek için Ayar kontrol düğmesi etrafında 7 tür renkli LED göstergesi vardır.

1. Radyonuzu açmak için Power (Güç) düğmesine basın.
2. EQ ayar menüsüne girmek için EQ kontrol düğmesine basın.
3. Sizin için gerekli modu seçmek için Ayar kontrol düğmesini döndürün. Daha sonra seçimi onaylamak için Ayar kontrol düğmesine basın.

EQ modu	LED göstergesi
Düz	Beyaz
Caz	Mavi
Kaya	Kırmızı
Klasik	Kahverengi
Pop	Pembe
Haberler	Sarı
BENİM EQ	Yeşil

## Benim EQ profilimi kur

1. EQ ayar menüsüne girmek için EQ kontrol düğmesine basın.
2. "BENİM EQ Kurulumu" seçeneğini seçmek için Ayar kontrol düğmesini döndürün. Daha sonra, "BAS" ayarlar menüsüne girmek için Ayar kontrol düğmesine basın.
3. "Tiz" ayarını seçmek için Ayar kontrol düğmesini döndürün. Ayarlara girmek için Ayar kontrol düğmesine basın. Sizin için gerekli titreşim seviyesini seçmek için Ayar kontrol düğmesini döndürün. Ayarları onaylamak için Ayar kontrol düğmesine basın.
4. "Orta" ayarı seçmek için Ayar kontrol düğmesini döndürün. Ayarlara girmek için Ayar kontrol düğmesine basın. Sizin için gerekli orta seviyeyi seçmek için Ayar kontrol düğmesini döndürün. Ayarları onaylamak için Ayar kontrol düğmesine basın.
5. "Bas" ayarını seçmek için Ayar kontrol düğmesini döndürün. Ayarlara girmek için Ayar kontrol düğmesine basın. Sizin için gerekli bas seviyesini seçmek için Ayar kontrol düğmesini döndürün. Ayarları onaylamak için Ayar kontrol düğmesine basın.

### Not:

Bas vurgusu yapmak için ekolayzer kullanırken ve yüksek ses seviyelerinde dinlerken, ses parçalanması ve bozulmasına neden olabilir. Bu durumda, radyo sesini uygun şekilde ayarlayın.

# BLUETOOTH YAYIN İLE MÜZİK DİNLEME

Radyo aracılığıyla Bluetooth müzik oynatma/ yürütme otomatik bağlantısı yapmadan önce Bluetooth cihazınızın radyoya bağlantısını yapmanız gerekmektedir. Eşleştirme bir 'Bağ' oluşturacağından iki cihaz daha sonra birbirini tanıyabilecektir.

## Not:

- Daha iyi bir ses kalitesi elde etmek için Bluetooth cihazınızdaki ses seviyesini üçte ikiden daha yüksekçe ayarlamanızı ve daha sonra radyodaki sesi de gerektiği gibi ayarlamanızı öneririz.
- Radyo, 8 takım eşleşmiş cihaza kadar hafızada tutabilir, bu bellek aşıldığında ise, en eski eşleştirme geçmişi silinerek yenisi üzerine yazılır.

## Bluetooth cihazınızın ilk kez eşleştirilmesi

1. Radyoyu açmak için Güç düğmesine basın. Bluetooth modu seçmek için Bant düğmesine basın. Ekranda "BT eşleştirme" yazısı görüntülenecek ve radyonun bulunabilir olduğunu göstermek için Hazır ayar düğmeleri (1-5) beyaz ışıkla yanıp sönecektir.
2. Cihazın kullanım kılavuzuna göre radyoya bağlanması için cihazınızda Bluetooth özelliğini etkinleştirin. Bluetooth cihaz listesini bulun ve 'DMR115' adlı cihazı seçin, bazı mobil cihazlarda (BT2.1 Bluetooth cihazı öncesi sürümüne sahip olanlar) şifre olarak "0000" girmeniz gerekebilir.
3. Bağlandıktan sonra onay tonu sesi duyulacak. Hazır ayar düğmeleri (1-5) sürekli beyaz yanıp kalacaktır. Tek yapmanız gereken kaynak cihazınızdan herhangi bir müziği seçmek ve oynatmak olacaktır. Ses kontrolü kaynak cihazınızdan veya doğrudan radyodan ayarlanabilir.
4. Parçaları oynatmak/durdurmak ve parça listesinde gezinmek için Bluetooth etkinleştirilmiş cihazınızda veya radyoda bulunan kontrolleri kullanın.

## Not:

- Şayet ilk kez 2 Bluetooth cihazı eşleştiriliyorsa, her ikisi de radyoyu arayacak, her bir cihazda uygun olup olmadıkları gösterilecektir. Ancak, cihazlardan biri bu üniteye ilk olarak bağlandığında, diğer Bluetooth cihazı diğer cihazı listede bulamayacaktır.
- Bluetooth cihazınızın radyo bağlantısının geçici olarak kesilmesi durumunda, cihazınızı yeniden elle radyoya bağlamanız gerekecektir.
- Bluetooth cihazınızın listesinde 'DMR115' görüntüleniyor ancak cihazınız araca bağlanamıyorsa, lütfen cihazı listenizden silin ve burada daha önce belirtilen adımları takip ederek cihazı radyo ile yeniden eşleştirin.
- En iyi Bluetooth yayını kapsama alanı yaklaşık

olarak radyo ile 10 metre mesafedir (30 feet) (görüş mesafesi) anca 30 metreye (100 feet) kadar mesafelerde de çekmesi mümkündür.

- Ayırma zamanının aşılması, en uygun mesafenin aşılması, engeller veya başka şeyler nedeniyle Bluetooth bağlantısının kesilmesi durumunda, cihazınızın tekrar radyoya bağlanması gerekebilir.
- Fiziksel engeller, diğer kablosuz cihazlar veya elektromanyetik cihazlar da bağlantı kalitesini etkileyebilir.
- Bluetooth bağlantı performansı bağlanan Bluetooth cihazlarına bağlı olarak değişiklik gösterebilir. Lütfen radyo bağlantısı yapmadan önce cihazınızın Bluetooth özelliklerine göz atın. Eşleştirilen bazı Bluetooth cihazlarında tüm özellikler desteklenmeyebilir.

## Bluetooth modunda ses dosyalarını oynatma

Radyoyu seçmiş olduğunuz Bluetooth cihazına başarılı bir şekilde bağladığınızda, bağlanmış olduğunuz Bluetooth cihazınızdaki kontrolleri kullanarak müziklerinizi oynatmaya başlayabilirsiniz.

1. Oynatmaya başladıktan sonra radyo veya etkinleştirdiğiniz Bluetooth cihazınız üzerindeki Ses düğmesini kullanarak sesi istediğiniz ayara getirebilirsiniz.
2. Parçaları oynatmak/durdurmak ve parça listesinde gezinmek için Bluetooth kaynak cihazınızdaki kontrolleri kullanın. Alternatif olarak, radyonuzdaki Oynat/Duraklat, Sonraki parça, Önceki parça düğmelerini oynatmayı kontrol edebilirsiniz.
3. Geçerli parçadan ileri gitmek için Hızlı İleri Sarma veya Geri Sarma düğmesine basılı tutun. İsteddiğiniz yere geldiğinizde düğmeyi bırakın.

## Not:

- Bu kontrollerin tamamına medya oynatıcı uygulamalar veya cihazların bazılarının yanıt vermeyebileceğini aklınızda bulundurun.
- Arama yaparken veya cevaplarken bazı mobil telefonların radyo ile bağlantısı kesilebilir. Bazı cihazlar, kısa mesaj, e-posta alırken veya ses ortamı yürütmeye bağlı olmayan başka nedenlerle Bluetooth ses ortamı yürütme özelliğini geçici olarak sessize alabilir. Bu davranış bağlanan cihazın bir özelliğidir ve radyoda herhangi bir arıza olduğunu göstermez.

## Daha önceden eşleştirilen bir Bluetooth kaynak cihazından oynatma

Bluetooth cihazınız radyoya önceden eşleşmiş ise, ünite Bluetooth cihazınızı hafızaya alır ve hafızada son olarak bağlanan cihaza yeniden bağlanmayı dener. En son bağlanan cihaz ulaşamıyorsa, radyo görünür duruma gelecektir.

## Bluetooth cihazınızın bağlantısını kesme

Ekranı “BT Eşleştirme” görünene kadar Bluetooth eşleştirme düğmesine basılı tutun veya bağlantıyı devre dışı bırakmak için Bluetooth cihazınızdaki Bluetooth özelliğini kapatın.

Ayrıca, bağlantıyı devre dışı bırakmak için Bluetooth modundan başka bir modu seçmek için Bant düğmesine de basabilirsiniz.

## Bluetooth cihaz belleğinin silinmesi

Tüm eşleştirilmiş cihazların hafızasını temizlemek için Bluetooth eşleştirme düğmesine ekranda “TEMİZLENİYOR” görünene kadar 7 saniye boyunca basılı tutun.

## YARDIMCI GİRİŞ YUVASI

MP3 veya CD çalar gibi bir harici ses cihazından birim içerisine ses sinyalinin gönderilmesine izin vermek için radyonuzun ön tarafından 3.5mm Aux giriş soketi bulunmaktadır.

1. SES GİRİŞ yuvasına harici ses kaynağı (örneğin, MP3 veya CD Çalar) bağlayabilirsiniz.
2. Radyonuzu açmak için Power (Güç) düğmesine basın.
3. “SES GİRİŞ” görüntülenene kadar Bant düğmesine art arda basın.
4. Daha iyi bir ses kalitesi elde etmek için ses cihazınızdaki ses seviyesini üçte ikiden daha yükseğe ayarlamayı ve daha sonra radyodaki sesi de gerektiği gibi ayarlamayı öneririz.

### Not:

Ses kablosu standart aksesuarlara dahil değildir.

## BAKIM

### ⚠ DİKKAT:

- Hiç bir zaman benzin, gaz, tiner, alkol veya benzerlerini kullanmayın. Renk değişikliği, deformasyon veya çatlaklara neden olabilir.
- Radyoyu suyla yıkamayın.

## TEKNİK ÖZELLİKLER

Güç gereksinimleri	
AC güç adaptörü	DC 12V 2.5A, orta pin pozitif
Batarya	Kayar batarya: 10.8V - 18V
Frekans kapsama alanı	FM87.50-108MHz (0.05MHz/adım) DAB/DAB+ 174.928-239.200 MHz
DAB/DAB+ Kanal bloğu	DAB (Band III) 5A-13F
Uyumlu standart	DAB/DAB+

Bluetooth®	
(Bluetooth® kelime markası ve logoları, Bluetooth SIG, Inc. şirketinin sahip olduğu tescilli ticari markalardır)	
Bluetooth sürümü	5.0 Onaylı
Bluetooth Profilleri	A2DP/SCMS-T/AVRCP
Aktarım Gücü	Güç Sınıfı 2
Aktarım Mesafesi	Optimum: Maks.10 metre (33 feet) Mümkün: Maks.30 metre (100 feet) (kullanım koşullarına göre değişiklik gösterebilir)
Bluetooth Kodek	SBC, AAC
Maksimum radyo-frekans gücü	BT EDR: 1.91dBm BT LE: 0.21dBm
Çalışma Frekans	2402MHz~2480MHz

Devre özelliği	
Hoparlör	2.5 inç 8 ohm x 2 4 inç 6 ohm x 1
Çıkış gücü	10.8V-12Vmax: 2W x 2 +10W 14.4V: 3W x 2 + 15W 18V: 5W x 2 + 25W
Giriş terminali	3.5 mm çap (AUX GİRİŞİ)
Anten sistemi	DAB/FM: Dahili anten
Boyutlar (U x E x B)	268 x 164 x 295 mm
Kilo	4.8 KG (pilsiz)

## 總視圖說明 (圖 1)

1. 手把 / 內建天線 (DAB/FM)
2. 電池室扣鎖
3. 電池室蓋 (包覆電池)
4. 喇叭
5. DC IN (電源交流適配器) 插孔
6. 重低音喇叭
7. Power 電源鍵
8. Band 模式切換鍵
9. Advanced 進階設定鍵
10. Info 資訊鍵
11. LED 燈
12. 預設 3 / 播放 / 暫停鍵
13. 預設 5
14. 預設 4 / 下一曲目 / 快進鍵
15. 音量 / 選台 / 選擇旋鈕
16. EQ 均衡器按鍵
17. AUX IN 音源輸入孔
18. USB 充電孔
19. 自動掃描電台鍵
20. EQ 均衡器的 LED 燈
21. 預設 2 / 上一曲 / 快退鍵
22. 預設 1 / 藍牙配對鍵
23. LCD 液晶屏幕
24. 主電池室
25. 軟體升級用的 Micro USB 插孔

## 符號

以下是用於本機的符號，使用本機前務必明白它們的含義。



### 請閱讀本說明書。



僅適用於歐盟成員國。

請勿將電器設備或電池與生活垃圾一同丟棄！遵守歐盟關於廢舊電器、電子設備、電池、蓄電池、廢舊蓄電池和蓄電池的指令，並依據國家法律，在電氣設備、電池使用壽命到期時分類收集，並交給符合環保要求的回收場所。

## 重要的安全說明

### ⚠ 警告：

使用電動工具時應遵循基本的安全預防措施，以降低火災、電擊和人身傷害風險，安全措施包括：

1. 使用前認真閱讀本說明書和充電器使用說明書。
2. 請用乾布清潔。
3. 安裝本機時切勿靠近散熱器、電熱器、爐灶等熱源或發熱設備（包括功率擴大機）。
4. 僅使用製造商指定的附件 / 配件。
5. 雷雨天或長時間不用時，需拔下電源插頭。
6. 使用集成電池或單獨電池供電的收音機，必須用專用充電器為其電池充電。適用某款電池的充電器給另一款電池充電時可能會有起火的危險。
7. 用電池工作的收音機只可使用指定的電池，使用別款的電池時可能會產生起火的危險。
8. 不使用電池時，確保其遠離其他金屬物體，比如迴紋針、硬幣、鑰匙、釘子、螺絲、或可造成兩極短路其他小金屬物體。電池兩極短路可引起火花、燃燒或火災。
9. 避免身體接觸管道、暖氣、電灶、冰箱等接地表面。身體接地會增加電擊風險。
10. 電池受損時可能會滲出液體，請勿接觸。如果意外接觸電池液，請用水沖洗並就醫。電池流出的液體可導致發炎或灼傷。
11. 請勿使用受損或改裝過的電池或工具，否則會出現不可預測的結果，帶來人身傷害或爆炸風險。
12. 不要將電池或工具暴露於明火或高溫環境中，暴露於明火或 130°C (266°C) 以上高溫可引起爆炸。
13. 遵守充電說明，請勿在超過額定溫度下給電池或工具充電。充電不當或在超出指定溫度範圍下充電會損壞電池並增加火災風險。
14. 電源插頭作為斷路裝置，應保持可供隨時操作。
15. 使用本產品時，音量不宜過大。為避免損害聽力，使用本產品時請適時調整音量。
16. (僅針對具 LCD 屏幕的產品) LCD 屏幕含有刺激性或可能導致中毒的液體。如果液體進入眼睛、口中或接觸皮膚，請用清水沖洗，並及時就醫。
17. 請勿將本產品置於下雨或潮濕的環境中，產品進水會增加觸電的風險。
18. 本產品不適合體力不支、感官遲鈍或智力低下的人士使用（包括兒童），也不適合缺乏經驗和知識人士使用，除非有人監督負責其安全，並給予指導使用本產品。請確保兒童不會將本產品當作玩具，並置於兒童拿不到的地方。

## 請保存好此說明書

## 電池的特定安全規則

1. 使用電池前，需仔細閱讀說明書並充分理解 (1) 充電器、(2) 電池和 (3) 使用電池的產品上的警示標誌的含義。
2. 請勿拆卸分解電池。
3. 如果電池工作時間變得過短，則立即停止使用。電池過熱可能引起燃燒甚至爆炸。
4. 如果電解液進入眼睛，請立即用清水沖洗並就醫。電解液可能會造成失明。
5. 勿使電池短路：
  - (1) 請勿使用導電材料接觸電池兩極。
  - (2) 避免將電池存放在裝有釘子、硬幣等金屬的容器內。
  - (3) 避免電池進水或淋雨。電池短路可引起電流過大、電池過熱，可能發生燃燒甚至解體。
6. 請勿將工具和電池存放在溫度可能會達到或超過 50°C (122°F) 的地方。
7. 即使電池已嚴重損壞或完全報廢也切勿焚燒電池，電池可能會在火中會爆炸。
8. 注意不要摔落或撞擊電池。
9. 請勿使用受損的電池。
10. 為了避免風險，使用前應閱讀電池更換手冊。電池最大放電電流應大於等於 8A。
11. 所使用的鋰電池符合危險品法規要求。對於商業運輸，如協力廠商、運輸代理，必須遵守包裝和標籤的特殊要求。準備運輸物品時，需要諮詢危險品專家，並遵守更細則的國家法規。電池露出的接觸點需用膠帶或薄膜遮蔽，以確保電池在包裝盒內不會晃動。
12. 丟棄處理電池時，請將其從機器中取出，並在安全的地方進行處理。處理方式請遵守當地有關電池處理的法規。
13. 僅將電池用於牧田 (Makita) 公司指定的產品。將電池裝入不符合規定的產品中可引起火災、過熱、爆炸或電解液洩漏。如果長時間不使用，必須將電池從機器中取出。

### ⚠ 注意：

- 電池更換不當會有爆炸危險。
- 僅用同類型或相當於同類型的電池進行更換。
- 僅使用正品牧田電池。使用非正品牧田電池或改裝過的電池會導致電池爆炸，引起火災、人身傷害和財產損失，而會導致牧田公司對於產品和充電器的保固失效。

## 維持電池最長壽命的技巧

1. 在電池電量用完之前充電。察覺到動力不足時，停止使用並立即充電。
2. 切勿再給滿電量的電池充電。過度充電會縮短電池的使用壽命。
3. 在室溫為 10°C-40°C (50°F-104°F) 的條件下充電時，若電池發熱需卻後再充電。
4. 如果長時間未使用電池 (六個月以上)，使用前要先充電。

## 操作時間

適用於本收音機的電池如下表所示。

下表中表示充電一次的操作時間。

電池容量	電池電壓			喇叭輸出功率 = 100mW 單位：小時（近似值）	
	10.8V –12V 最大	14.4V	18V	收音機或音訊輸入	藍牙 +USB 充電
1.3 Ah		BL1415		3.5	0.7
			BL1815	4.0	1.0
1.5 Ah	BL1015 BL1016			5.5	0.8
		BL1415N BL1415NA		4.5	0.9
			BL1815N	5.0	1.2
2.0 Ah	BL1020B BL1021B			7.0	1.0
			BL1820 BL1820B	6.5	1.6
3.0 Ah		BL1430 BL1430B BL1430A		8.0	1.6
			BL1830 BL1830B	9.0	2.3
4.0 Ah	BL1040B BL1041B			14	2.1
		BL1440		12	2.5
			BL1840 BL1840B	13	3.2
5.0Ah		BL1450		15	3.0
			BL1850 BL1850B	16	4.2
6.0 Ah		BL1460B BL1460A		16	3.3
			BL1860B	20	5.0

### ⚠ 警告：

僅使用上述電池型號，使用其他款電池可能引起人身傷害或火災。

### 說明：

- 表中記載的電池操作時間僅供參考。
- 實際操作時間會隨電池型號、充電狀態或使用環境而異。
- 以上列出的電池型號和充電器可能不適用於你所屬的地區。




## 安裝與電源 (圖 .2)

### △ 注意：

- 打開和關閉電池蓋時，注意不要夾傷手指。
- 安裝或拆卸電池後，請將電池蓋關上並鎖好。若電池意外從收音機脫落，可能會傷害你或周圍的人。
- 移動收音機之前，務必將電池蓋關上並鎖好。
- 在安裝或拆卸電池之前，務必關掉收音機。
- 小心不要使收音機掉落或受到撞擊。破裂的外殼可能會劃傷手指或刺傷身體。損壞的收音機可能會引起火災、爆炸或人身傷害危險，導致不可預測的後果。

### 重要：

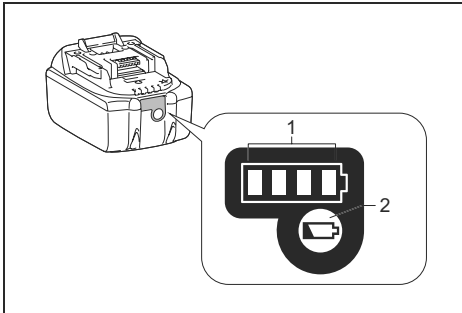
- 出現動力不足、聲音失真或斷斷續續的情況，或者屏幕顯示“ Battery Low (低電量)”，表示需要更換電池。
- 不可使用產品配件的交流電源適配器給電池充電。
- 電池不包括在標準配件中。

## 安裝或拆卸滑動電池 (圖 3 & 圖 4)

- 安裝電池時，將電池上的舌簧與外殼上的凹槽對齊，並將其滑入到位。務必滑動到底直到聽喀嗒聲表示鎖定位。
- 如果還能看到按鈕上方的紅色指示說明電池沒有鎖好，請重新安裝直到看不到紅色指示為止。如果沒裝好，電池意外從收音機內脫落，可能會傷害你或周圍的人。
- 插入電池時不可用力過猛。如果電池不能順利滑入，則說明插入方式不正確。
- 取出電池時，請按住電池上按鈕，並同時從收音機上滑開。

## 顯示電池殘餘電量














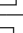

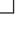
- \* 僅適用於型號以“B”結尾的電池。












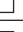
### ➤ 1. 指示燈 2. 檢查按鈕

按下電池上的檢查按鈕，指示燈會亮起數秒鐘，此時可查看電池剩餘電量。

## ● 14.4V/18V 電池

指示燈			殘餘電量
 亮	 不亮	 閃爍	
			75% ~ 100%
			50% ~ 75%
			25% ~ 50%
			0% ~ 25%
			需要充電
			電池可能存在故障
			

## ● 10.8V-12Vmax 電池

指示燈			殘餘電量
 亮	 不亮	 閃爍	
			75% ~ 100%
			50% ~ 75%
			25% ~ 50%
			0% ~ 25%

### 說明：

不同使用條件和不同溫度下，顯示電量可能與實際電池電量略有差異。

## 使用隨配的交流電源適配器

打開橡膠保護套，將電池適配器插頭插入收音機右側的 DC IN 插孔中，再將適配器插入標準電源插座。使用電源適配器時，電池會自動斷開供電。

### △ 注意：

- 移動收音機之前，一定要完全斷開電源適配器。如果未先斷開適配器，可能會引起觸電。
- 不要拉扯電源適配器的電線。否則收音機可能會意外掉落，傷害你或周圍的人。

### 重要：

- 電源適配器用於將收音機連接到交流電源。連接收音機的電源插座需保持可正常使用。
- 要斷開收音機電源，應將電源適配器從電源插座中完全拔出。
- 僅使用產品提供的配件或牧田指定的交流電源適配器。
- 請勿將電源線和插頭含在口中，這樣做會遭電擊。

- 請勿用潮濕或油膩的手接觸電源插頭。
- 損壞或纏繞的電線會增加觸電的危險。如果電線損壞需更換請連絡我們授權的服務中心更換，以避免危害隱患。修理好前請勿使用。
- 使用之後，請將電源適配器放到兒童夠不到的地方。如果兒童玩耍電線，可能會受到電擊。

## USB 插孔充電

收音機的正面有一個 USB 插孔，可提供 USB 裝置充電。

1. 用市售的 USB 線連接 MP3 或 CD 播放機等 USB 裝置。
2. 按電源鍵打開收音機。
3. 無論收音機使用交流電源適配器還是電池供電，當打開收音機並處於 DAB/FM 模式、藍牙模式、音訊模式時（連接 AUX IN 音源時），收音機均可給 USB 裝置充電。

### 說明：

- 通過 USB 充電時，喇叭輸出的最大音量會減小。
- USB 插口可提供最大 5V/2.4A 的電流。

### 重要：

- 連接 USB 裝置進行充電之前，務必備份 USB 裝置的資料，防止資料遺失。
- 可能不支援部分 USB 裝置充電。
- 使用或充電之後，拔出 USB 線並關好橡皮蓋。
- 請勿將電源插頭與 USB 充電孔相連，否則有著火的風險。USB 充電孔僅供給低壓裝置充電。不充電時務必蓋上 USB 充電孔的橡皮蓋。
- 請勿將釘子、電線等物體插入 USB 充電孔，否則會導致短路並引起冒煙和火災。
- 請勿將此 USB 充電孔與電腦的 USB 介面連接，否則極有可能引起設備故障。

## 收聽電台

此收音機有三種選台方法：自動掃描選台、手動選台和調用預設電台。

### 選台 - DAB（數位廣播）

#### 說明：

DAB 天線內建於手把中，操作收音機時請立起收音機上方手把，能使接收效果更好。

1. 按 Power 電源鍵打開收音機。
2. 按 Band 模式切換鍵選擇 DAB 模式。
3. 按下旋鈕，進入電台列表。或按 Advanced 進階設定鍵，再旋轉旋鈕，選擇“Station List（電台列表）”。再按旋鈕確定進入電台列表。
4. 轉動旋鈕瀏覽可用電台列表，按下旋鈕選擇電台。
5. 轉動旋鈕調整至適合音量收聽。

### 顯示模式 - DAB

收音機在 DAB 模式下有一系列顯示選項。按 Info（資訊）鍵可重覆瀏覽不同的選項。

- |   |  |
|---|--|
| a. Dynamic Label Segment<br>（動態標籤段）     | 文本形式的補充資料服務（最多 128 個字元）。與 DAB 或 DAB+ 數位廣播節目同時運行，訊息以滾動文本顯示，如藝術家 / 曲目名稱、電話號碼等。 |
| b. Program type<br>（節目類型）               | 顯示正在收聽的電台類型，如流行音樂、古典音樂、新聞等。  |
| c. Multiplex name<br>（複合名稱）             | 顯示當前電台所屬的 DAB 複合名稱。  |
| d. Frequency and channel<br>（頻率和頻道）     | 顯示當前 DAB 電台的頻率和頻道號碼。   |
| e. Signal error/strength<br>（信號錯誤 / 強度） | 顯示所收聽電台的信號錯誤和強度。錯誤數值越小，無線電信號品質越好。  |
| f. Bit rate/Audio type<br>（位元速率 / 音訊類型） | 顯示當前 DAB 電台的數位音訊位元速率和音訊類型。   |
| g. Date（日期）                             | 顯示當前日期。  |

如果 DAB 廣播提供投影片圖像，可按住旋鈕進行全屏查看。如果正在接收的廣播是 stereo 立體聲，會在屏幕出現立體聲符號。

### 尋找新電台 - DAB

有時會有新的 DAB 電台可用，或者你移動到別的地區。在這種情況下，你可能需要重啟收音機來掃描新電台。為了使收音機能找到可用的電台，建議對整個 DAB 波段 III 頻率進行全面掃描。

1. 按壓 Power 電源鍵打開收音機。
2. 按 Band 模式切換鍵選擇 DAB 模式。
3. 按自動掃描電台鍵啟動掃描。屏幕將顯示“scanning”（掃描中），收音機將對 DAB 波段 III 頻率進行掃描。當發現新電台時，電台計數器將增加，並將電台添加到列表中。掃描進度用橫條圖顯示。

### 手動選台 - DAB

手動選台允許您將收音機選台到波段 III 中的特定 DAB 頻率。此功能還可用於協助天線或收音機的定位，以優化接收特定頻道或頻率的信號。

1. 在 DAB 模式下，按 Advanced 進階設定鍵進入功能表設定。
2. 轉動旋鈕選擇“Manual Tune（手動選台）”。按下旋鈕確定。
3. 轉動旋鈕選擇所需的 DAB 頻道，按下旋鈕確定所選頻率。

### 動態範圍控制 (DRC) - DAB

當收音機在嘈雜的環境中使用時，DRC 功能可以通過減小音訊信號的動態範圍使安靜的聲音更容易聽到。

有三個壓縮層級：

- 1 最大壓縮比例
- 1/2 中等壓縮比例
- 0 無壓縮

1. 在 DAB 模式下，按 Advanced 進階設定鍵進入功能表設定。
2. 旋轉旋鈕選擇“DRC”，按下旋鈕進入設定。螢幕將顯示當前 DRC 值。
3. 旋轉旋鈕選擇 DRC 值。
4. 按下旋鈕確認設定。

## 電台順序設置 - DAB

收音機中有 3 種電台順序設定可進行選擇。電台順序設定為按字母數字排序、全部電台和可用電台。

1. 在 DAB 模式下，按 Advanced 進階設定鍵進入功能表設定。
2. 旋轉旋鈕選擇“電台順序”，按下旋鈕進入設定。
3. 旋轉旋鈕選擇以下選項，再按下旋鈕確定。

Alfanumérica	依字母數字位元 0...9 A...Z 對電台列表進行排序。
Conjunto	組織 DAB 複合電台列表排序。
Válida	僅顯示能找到信號的電台。

## 掃描電台 - FM

**說明：**

FM 天線內建於手把中，操作收音機時請立起收音機上方手把，能使接收效果更好。

1. 按 Power 電源鍵打開收音機。
  2. 按 Band 模式切換鍵選擇 FM 模式。
  3. 按下自動掃描電台鍵，會進行自動搜尋，並在找到電台後停止。
  4. 顯示內容會在幾秒鐘內更新，並顯示搜尋到的信號頻率。如果信號強度足夠，並存有 RDS 資料，收音機會顯示電台名稱。
  5. 要查找其他電台，請繼續按自動掃描電台鍵。
  6. 當搜尋波段結束時，收音機將從起始波段重新開始搜尋。
  7. 轉動旋鈕調整至適合音量收聽。
- 說明：**  
收聽時音量不宜過大。為避免聽力受損，請勿長時間以高音量收聽。
8. 要關閉收音機，請按 Power 電源鍵。

## 手動選台 - FM

1. 按 Power 電源鍵打開收音機。
2. 按 Band 模式切換鍵選擇 FM 模式。
3. 按下旋鈕，切換到選台模式。
4. 轉動旋鈕找到所需要的電台。
5. 若要調整音量，再次按下旋鈕切換到音量控制模式。
6. 轉動旋鈕調整至適合音量收聽。

## 顯示模式 - FM (RDS)

本收音機有 FM 調頻的顯示選項。

螢幕底部的出現 RDS 符號表示正在收聽的電台存有 RDS 資料。螢幕出現立體聲符號表示正在接收立體聲廣播。

反復按 Info (資訊) 鍵，可查看當前收聽電台的 RDS (收音機數據系統) 資訊。

- a. Radio text 顯示收音機文本資訊，如新項目等。  
(收音機文本)
- b. Program type 顯示正在收聽的電台類型，如流行音樂、古典音樂、新聞等。  
(節目類型)
- c. Frequency 顯示 FM 調頻信號的頻率。(如果沒有可用的 RDS 資訊，則顯示“**No Name**”(無名稱)。  
(頻率)
- d. Audio mode 顯示當前的音訊模式。  
(音訊模式)
- e. Date (日期) 顯示當前日期。

## FM 掃描區域

使用 FM 模式時，可以將收音機設定為掃描本地電台，或掃描包括遠端電台在內的所有電台。

1. 在 FM 模式下，按 Advanced 進階設定鍵進入功能表設定。
2. 轉動旋鈕，選擇“Scan zone (掃描區域)”。再按下旋鈕進入設定。目前設定以打勾表示。
3. 轉動旋鈕，選擇“Local (本地)”(僅限信號強度足夠的電台)或“Distant (遠端)”(所有電台)。遠端選項將允許收音機在掃描時發現較弱的信號。
4. 按下旋鈕確定設定，本地或遠端設定會儲存在收音機中，並在更改或系統重置前保持有效。

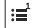
## 立體聲 / 單聲道設定 - FM

如果所收聽的 FM 電台信號微弱，可能會聽到雜音。可強制以單聲道來代替立體聲播放以減少雜音。

1. 確認收音機處於 FM 模式，並調到所需的 FM 電台。
2. 按 Advanced 進階設定鍵進入功能表設定。
3. 轉動旋鈕，選擇“Audio Setting 音訊設置”，按下旋鈕進入設定，目前設定以打勾表示。
4. 轉動旋鈕，選擇“**Forced Mono** (強制單聲道)”或“**Stereo Allowed** (允許立體聲)”，按下旋鈕確定。

## 設定 DAB 和 FM 模式的預設電台

DAB 和 FM 收音中各有 5 個預設電台，兩種模式的設定方法相同。

1. 按 Power 電源鍵打開收音機。
2. 按 Band 模式切換鍵進行選擇，依前述方法調到所需的電台。
3. 按住所需的預設鍵，直到螢幕出現“**Preset 1 saved** (已保存)”(舉例)。 會顯示在螢幕上，電台即儲存在選定的預設鍵號碼，其餘預設鍵可重複此步驟。
4. 依照需求可按照上述步驟覆蓋已儲存的預設電台。

## 選擇 DAB 和 FM 模式的預設電台

1. 按 Power 電源鍵打開收音機。
2. 按 Band 模式切換鍵選擇 DAB 或 FM 收音模式。
3. 按下所需的預設鍵號碼，收音機即跳到預設的電台。

## 其他設定

### 自動更新時鐘

您可以指定收音機通過 DAB 或 FM 廣播設定時鐘。在重新以 DAB 或 FM 模式打開收音機時，收音機會自動設定時鐘。

1. 打開收音機後，按 Advanced 進階設定鍵進入當前模式的選單。
2. 轉動旋鈕，選擇“Time/Date（時間 / 日期）”。按下旋鈕進入設定。
3. 轉動旋鈕，選擇“Auto Update（自動更新）”。按下旋鈕進入自動更新選單。
4. 轉動旋鈕，依需求選擇“from Any（任意）”或“from DAB（從 DAB）”或“from FM（從 FM）”更新。按下旋鈕確定。當前設置以打勾表示。

### 設置時鐘格式

1. 打開收音機，按 Advanced 進階設定鍵進入當前模式的選單。
2. 轉動旋鈕，選擇“Time/Date（時間 / 日期）”。按下旋鈕進入設定。
3. 轉動旋鈕，選擇“Set 12/24 Hour（12/24 小時制）”。按下旋鈕進入時鐘格式設定。當前時鐘顯示格式以打勾表示。
4. 旋轉旋鈕，選擇 12 或 24 小時格式，按下旋鈕確定。若選擇 12 小時時鐘格式，屏幕顯示會有 AM 或 PM 表示。

### 設置日期格式

1. 打開收音機，按 Advanced 進階設定鍵進入當前模式的選單。
2. 轉動旋鈕，選擇“Time/Date（時間 / 日期）”。按下旋鈕進入設定。
3. 轉動旋鈕，選擇“Set Date Format（日期格式）”，按下旋鈕進入設定。
4. 轉動旋鈕，選擇“DD-MM-YYYY（日月年）”或“MM-DD-YYYY（月日年）”的日期格式，按下旋鈕確定。

### 響度

通過調節響度功能，可獲得較低或較高頻率的音質補償。

1. 打開收音機，按 Advanced 進階設定鍵進入當前模式的選單。
2. 轉動旋鈕，選擇“Loudness（響度）”，按下旋鈕進入設定。
3. 轉動旋鈕，選擇“On（開）”開啟響度功能，或選擇“Off（關）”關閉響度功能，按下旋鈕確定。

## 語言選項

收音機有八種語言顯示選項：英語、德語、義大利語、法語、荷蘭語、丹麥語、挪威語和波蘭語。

1. 打開收音機，按 Advanced 進階設定鍵進入當前模式的選單。
2. 轉動旋鈕，選擇“Language（語言）”，按下旋鈕進入設定。
3. 轉動旋鈕選擇所需語言，按下旋鈕確定。

## 恢復出廠設定

如果希望將收音機完全重置為出廠狀態，可按照以下步驟操作。恢復出廠設定後，所有用戶輸入的設定都將被清除。

1. 打開收音機，按 Advanced 進階設定鍵進入當前模式的選單。
2. 轉動旋鈕，選擇“Factory Reset（恢復出廠設定）”，按下旋鈕進入設定。
3. 轉動旋鈕，選擇“Yes”或“No”。如果不想執行系統重置，請選擇“No”，再按下旋鈕確定。若選擇“Yes”按下旋鈕確定後，將執行完全重置。電台列表和預設電台將被清除，所有設定都恢復為預設值。如果因靜電放電而出現故障，重置設定（可能需要重新連接電源）可恢復正常運行。

## 軟體升級用的 Micro USB 插孔

收音機可能會提供軟體更新功能。若有可用的新軟體，可在 Makita 網站上找到如何更新軟體和版本資訊。

1. 使用市售的 micro USB 線（非本產品配件）將電池室中的 USB 插孔與電腦連接。
2. 打開收音機，按 Advanced 進階設定鍵進入當前模式的選單。
3. 轉動旋鈕，選擇“Software Update（軟體更新）”，按下旋鈕進入設定。
4. 轉動旋鈕，選擇“Yes”或“No”。如果不想進行軟體升級，請選擇“No”，再按下旋鈕確定。若選擇“Yes”按下旋鈕確定後，屏幕將顯示“Waiting for PC Wizard（等待 PC 嚮導）”。自網站下載最新的軟體，再依電腦螢幕中軟體的指示完成軟體升級。

### 說明：

軟體升級時請使用交流電源適配器作為主電源，在更新操作完成並重新啟動收音機之前，不要關閉收音機電源，否則機器可能會永久損壞。

## 軟體版本

1. 打開收音機，按 Advanced 進階設定鍵進入當前模式的選單。
2. 轉動旋鈕，選擇“Software Version（軟體版本）”，按下旋鈕可顯示軟體版本。

## EQ 均衡器功能

音量旋鈕周圍有 LED 燈，會顯示 7 種顏色分別表示不同的 EQ 模式。

1. 按 Power 電源鍵打開收音機。

2. 按壓 EQ 均衡器按鍵，進入 EQ 設定選單。
3. 轉動旋鈕選擇所需的模式，再次按壓旋鈕確定。

EQ 模式	LED 燈
FLAT 無音效	白色
JAZZ 爵士樂	藍色
ROCK 搖滾樂	紅色
CLASSIC 古典音樂	棕色
POP 流行樂	粉紅色
NEWS 新聞	黃色
MY EQ 個人化	綠色

## 建立 MY EQ 設定

1. 按下 EQ 均衡器按鍵，進入 EQ 設定選單。
2. 轉動旋鈕，選擇 MY EQ，再按下旋鈕進入設定。
3. 轉動旋鈕選擇 TREBLE（高音），按下旋鈕進入設定。轉動旋鈕調整高音音階，再按下旋鈕確定。
4. 轉動旋鈕選擇 MIDDLE（中音）。按下旋鈕進入設定。轉動旋鈕調整中音音階，再按下旋鈕確定。
5. 轉動旋鈕選擇 BASS（低音）。按下旋鈕進入設定。轉動旋鈕調整低音音階，再按下旋鈕確定。

### 說明：

使用 EQ 均衡器強調 BASS（低音）並以較大音量播放音樂時可能會導致破音和失真，此時請適當調整音量。

## 連接藍牙播放音樂

透過收音機自動建立連接以播放/傳輸藍牙音樂前，必須先將藍牙裝置與收音機配對，配對會使兩台設備產生連結可相互識別。

### 說明：

- 為使聆聽音樂時有更好的音質，我們建議將藍牙裝置上的音量設定在三分之二以上，再依據需要調整收音機音量大小。
- 收音機可最多儲存 8 組配對的裝置，當超過這個數量時最早的配對記錄會被覆蓋。

## 藍牙首次配對

1. 按 Power 電源鍵打開收音機。按 Band 鍵切換至藍牙模式。螢幕將顯示“BT Pair（藍牙配對）”，預設鍵(1-5)會出現白光閃爍，表示收音機可被配對。
2. 根據使用裝置的說明書啟動裝置上的藍牙功能，連結到收音機。在藍牙裝置清單中選擇名為 DMR115 的裝置（比 BT2.1 藍牙設備更早版本的手機，可能需要輸入密碼“0000”）
3. 連接成功後會有確認音，預設鍵(1-5)的白光會恆亮。可從你的藍牙裝置選擇並播放任何音樂，音量可從藍牙裝置控制，也可從收音機調整。
4. 使用您的藍牙裝置或收音機上的播放/暫停鍵及上下曲鍵來播放音樂。

### 說明：

- 當有兩個藍牙裝置均第一次配對，同時搜索收音機時，兩個裝置上均會顯示可連接。但若其中一個裝置先連接到收音機，那另一個藍牙裝置中的配對清單中會找不到收音機。
- 當藍牙裝置暫時斷開與收音機的連接，則需要手動連接收音機。
- 如果藍牙裝置清單中顯示“DMR115”字樣，卻無法與之連接，請將該裝置從清單中刪除，並按照上述步驟重新連接。
- 藍牙音訊播放與收音機最佳距離約 10 米（30 英尺）（視距），但最大可達 30 米（100 英尺）。
- 如果藍牙連接時因中斷時間過久、相隔距離過遠、障礙物阻隔或其他原因而斷開，則需要將您的裝置與收音機重新連接。
- 物理障礙物、其他無線設備或電磁波設備均可能會影響連接品質。
- 藍牙連線性能隨所連接的裝置而異。連接收音機之前，請參閱您裝置的藍牙功能。某些藍牙裝置即使配對好了也可能不支持所有功能。

## 在藍牙模式下播放音樂

當成功將收音機與選定的藍牙裝置連接後，就可使用所連接的藍牙裝置上的控制項目播放音樂。

1. 開始播放後，使用收音機上或已啟用的藍牙裝置上的音量控制調整所需要的音量大小。
2. 可使用藍牙裝置上的控制項目播放/暫停音樂並選擇曲目。或可使用收音機上的“播放/暫停”、“下一曲”、“上一曲”按鍵進行操作。
3. 按住快進或快退按鍵可在當前曲目中滑動，在達到所需播放點後鬆開按鍵。

### 說明：

- 有些播放的應用程式或裝置可能不會對所有的操作項目有所反應。
- 當接打電話時，有些手機可能會暫時斷開與收音機的連接。有些裝置在接收短信、電子郵件時或因其他與音訊無關的原因，會暫時關閉藍牙連接。這種特性是所連接裝置的功能，不表示收音機出現故障。

## 播放曾經配對的藍牙裝置

如果您的藍牙裝置曾經和收音機配對過，則本機將記住該裝置，並會試圖重新連接到記憶體中最近一次連接過的裝置。如果最近一次連接的裝置不可使用，則收音機在藍牙連接的清單中才可被找到。

## 斷開藍牙裝置連接

按住藍牙配對鍵 2-3 秒，直到螢幕上顯示“BT Pair（藍牙配對）”。或關閉藍牙裝置上的藍牙功能以停止連接，或可按下 Band 切換鍵選擇藍牙模式以外的模式以停止連接。

## 刪除已配對的藍牙裝置記憶

要清除收音機內配對過藍牙裝置的記憶，請按住藍牙配對鍵 7 秒以上，直到螢幕上顯示“Clearing（清除）”。

## AUX IN 音源輸入孔

收音機正面有一個 3.5 毫米音源輸入插孔，可透過此介面輸入 MP3 或 CD 播放機等外部裝置的音源。

1. 將外部音源（例如 MP3 或 CD 播放機）連接到音源輸入插孔。
2. 按 Power 電源鍵打開收音機。
3. 重複按壓 Band 鍵，直到屏幕出現“AUX IN（音源輸入）”字樣。
4. 為使聆聽音樂時有更好的音質，我們建議將音源裝置上的音量設定在三分之二以上，再依據需要調整收音機音量大小。

### 說明：

音源線不包含在標準配件中。

## 保養

### ⚠ 注意：

- 切勿使用汽油、揮發油、稀釋劑、酒精等擦拭，否則可能導致褪色、變形或開裂。
- 請勿用水清洗收音機。

## 技術規格

電源要求	
交流電源適配器	直流 12V 2.5A。中心針正極
電池	滑軌式電池：10.8V-18V
頻率範圍	FM87.50-108MHz (0.05MHz/step) DAB/DAB+ 174.928-239.200 MHz
DAB/DAB+ 頻道區段	DAB (III 波段) 5A-13F
相容標準	DAB/DAB+

Bluetooth®	
(Bluetooth® 字樣與標誌為已註冊的商標，並為 Bluetooth SIG, Inc. 所擁有)	
藍牙版本	已認證 5.0 版本
藍牙技術規範	A2DP/SCMS-T/AVRCP
傳輸功率	功率 2 級
傳輸範圍	最佳範圍： 最遠 10 米 (33 英尺) 可能範圍： 最遠 30 米 (100 英尺) (因使用條件而異)
藍牙轉碼器	SBC, AAC
最大射頻功率	BT EDR: 1.91dBm BT LE: 0.21dBm
工作頻率	2402MHz~2480MHz

電路特性	
揚聲器	2.5 英寸 8 歐姆 × 2 4 英寸 6 歐姆 × 1
輸出功率	10.8V-12Vmax: 2W x 2 + 10W 14.4V: 3W x 2 + 15W 18V: 5W x 2 + 25W
輸入端 zj	3.5 mm dia. (音源輸入)
天線系統	DAB/FM: 內建天線
尺寸 (長 × 寬 × 高)	268 x 164 x 295 mm
重量	4.8 KG (不含電池)

**Makita Europe N.V.** Jan-Baptist Vinkstraat 2,  
3070 Kortenberg, Belgium

**Makita Corporation** 3-11-8, Sumiyoshi-cho,  
Anjo, Aichi 446-8502 Japan

DMR115-11L-1906  
3A81d75Z00000

[www.makita.com](http://www.makita.com)

SJN