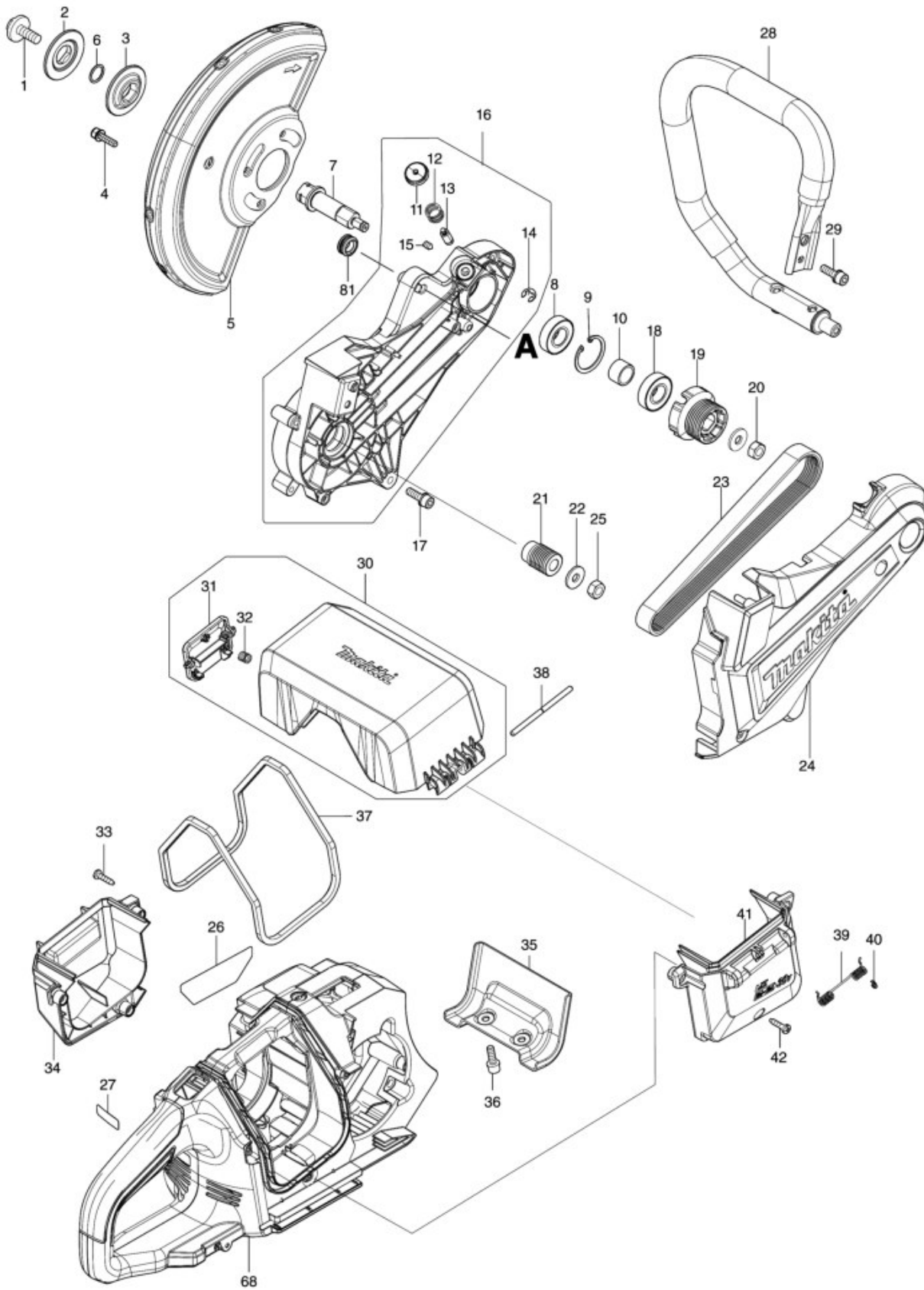
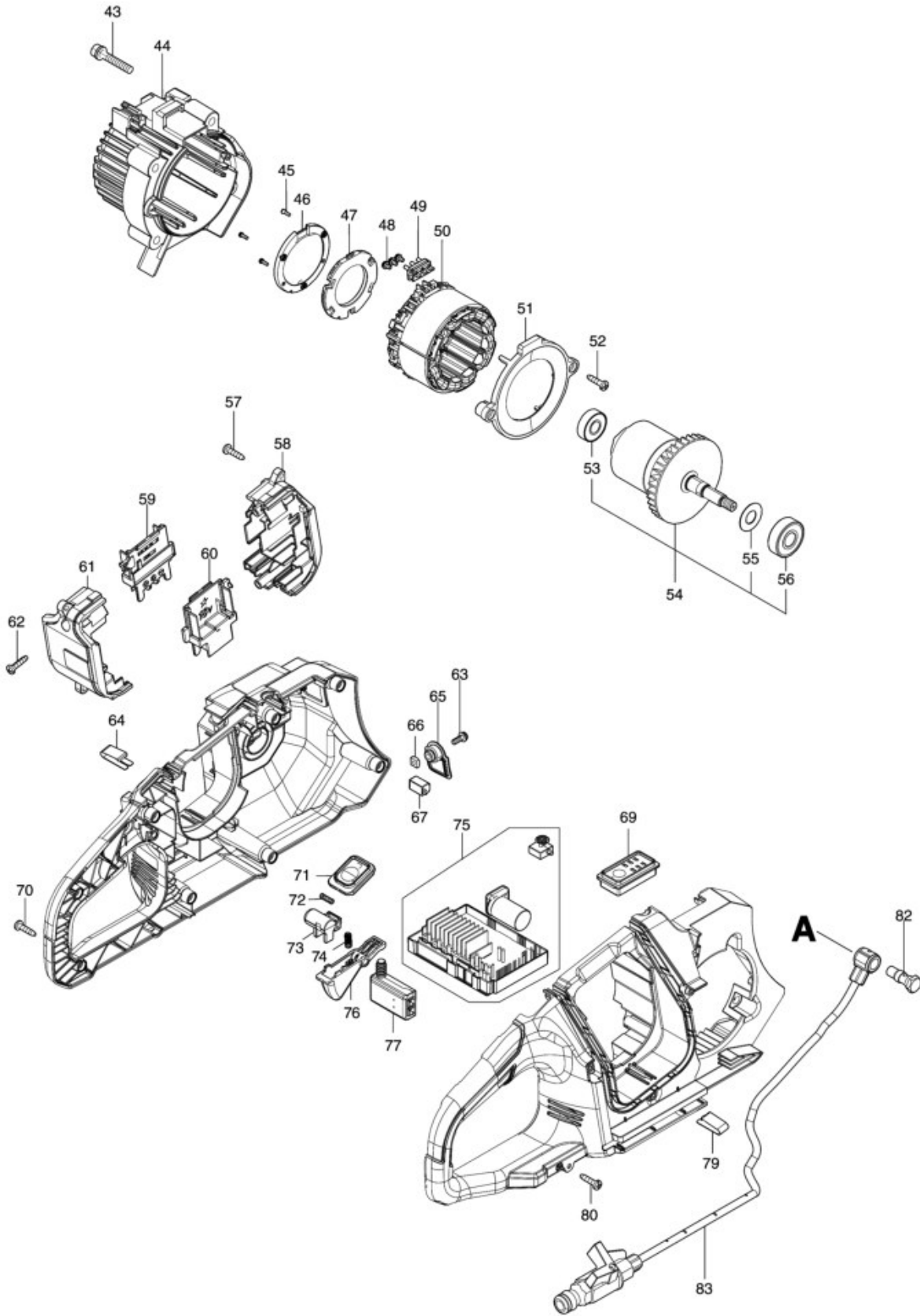


Model No.DCE090 230MM CORDLESS POWER CUTTER



Model No.DCE090 230MM CORDLESS POWER CUTTER



Model No.DCE090 230MM CORDLESS POWER CUTTER

Position	Artikel-Nr.	Beschreibung	I/C	Stk.	New/Old	Opt. 1	Opt. 2	Hinweis
001	266690-1	HEX. BOLT M8X25		1				
002	224604-6	OUTER FLANGE 46		1				
003	224605-4	INNER FLANGE 46		1				
004	922233-6	H.S.H.BOLT M5X20 WITH WR		3				
005	162742-5	WHEEL COVER 230		1				
006	213162-7	O RING 14		1				
007	327532-5	SPINDLE		1				
008	211232-6	BALL BEARING 6002LLU		1				
009	962151-6	RETAINING RING R-32		1				
010	257491-8	SLEEVE 15		1				
011	451485-7	PIN CAP		1				
012	233089-5	COMPRESSION SPRING 12		1				
013	256947-8	SHOULDER PIN 7		1				
014	961012-7	STOP RING E-6		1				
015	265880-3	H.S.SET SCREW(CONE POINT)M5X8		1				
016	136250-2	CUTTING DEVICE ASSY		1				
D10		INC. 11-15						
017	922333-2	HEX.SOCKET HD BOLT M6X20		1				
018	211232-6	BALL BEARING 6002LLU		1				
019	222197-7	V PULLEY 7-34.6		1				
020	931402-8	HEX. NUT M8		1				
021	222198-5	V PULLEY 7-20.5		1				
022	253762-1	FLAT WASHER 8		2				
023	225104-9	V BELT 7-454		1				
024	140U35-6	BELT COVER COMPLETE		1				
C10	265B09-3	H.S. HEAD BOLT M5X30 WITH WR		3				
025	252154-1	HEX. NUT M8-13		1				
026	856Y91-7	DCE090 NAME PLATE		1				
027	856Y97-5	DCE090 SERIAL NO. LABEL		1				
028	273025-9	FRONT GRIP 26		1				
029	922333-2	HEX.SOCKET HD BOLT M6X20		1				
030	136218-8	BATTERY UPPER ASSY		1				
D10		INC. 31,32						
031	412348-2	BATTERY COVER HOOK		1				
032	231240-1	COMPRESSION SPRING 7		1				
033	266326-2	TAPPING SCREW 4X18		3				
034	412344-0	BATTERY LOWER COVER L		1				
035	347659-5	GUIDE PLATE		1				
036	922333-2	HEX.SOCKET HD BOLT M6X20		2				
037	422566-4	BATTERY COVER SEAL		1				
038	256948-6	ROD 4		1				

Model No.DCE090 230MM CORDLESS POWER CUTTER

Position	Artikel-Nr.	Beschreibung	I/C	Stk.	New/Old	Opt. 1	Opt. 2	Hinweis
039	232594-9	TORSION SPRING 5		1				
040	961017-7	STOP RING E-3		1				
041	412346-6	BATTERY LOWER COVER R		1				
042	266326-2	TAPPING SCREW 4X18		3				
043	922358-6	H.S.H.BOLT M6X35 WITH WR		4				
044	412277-9	MOTOR HOUSING		1				
045	266490-9	TAPPING SCREW PT 2X6		3				
046	687B69-9	STOPPER		1				
047	620C87-0	CONTROLLER B		1				
048	652031-1	PAN HEAD SCREW M3X6		3				
049	632P83-4	LEAD UNIT		1				
050	629492-0	STATOR		1				
051	459144-7	BAFFLE PLATE		1				
052	266326-2	TAPPING SCREW 4X18		2				
053	210059-1	BALL BEARING 6000DDW		1				
054	519629-6	ROTOR ASSY		1				
D10		INC. 53,55,56						
055	253759-0	FLAT WASHER 12		1				
056	211137-0	BALL BEARING 6201LLU		1				
057	266326-2	TAPPING SCREW 4X18		4				
058	183E46-2	TERMINAL BOX SET		1				
D10		INC. 61						
059	643874-2	TERMINAL		1				
060	643874-2	TERMINAL		1				
061	183E46-2	TERMINAL BOX SET		1				
D10		INC. 58						
062	266326-2	TAPPING SCREW 4X18		2				
063	911118-1	PAN HEAD SCREW M4X12		1				
064	232267-4	LEAF SPRING		1				
065	412347-4	LENS		1				
066	252173-7	SQUARE NUT		1				
067	620C88-8	LED CIRCUIT		1				
068	136219-6	HOUSING ASSY		1				
D10		INC. 63-66,79						
069	140F08-9	LED CIRCUIT COMPLETE		1				
C10	818A73-3	INDICATION LABEL		1				
070	266326-2	TAPPING SCREW 4X18		8				
071	140U77-0	SWITCH CIRCUIT COMPLETE		1				
C10	8013T3-3	SWITCH LABEL		1				
072	232595-7	COMPRESSION SPRING 3		1				
073	412343-2	LOCK OFF BUTTON		1				
074	232353-1	COMPRESSION SPRING 4		1				

Model No.DCE090 230MM CORDLESS POWER CUTTER

Position	Artikel-Nr.	Beschreibung	I/C	Stk.	New/Old	Opt. 1	Opt. 2	Hinweis
075	620C86-2	CONTROLLER		1				
076	412342-4	SWITCH LEVER		1				
077	651083-9	SWITCH C3XA-1PSPM		1				
079	232267-4	LEAF SPRING		1				
080	266326-2	TAPPING SCREW 4X18		1				
081	424623-4	GROMMET		1				
082	265B45-9	HEX. BOLT M8X27		1				
083	127491-1	HOSE ASSEMBLY		1				
A01	123121-2	COUPLING SLEEVE		1				
A02	782023-7	WRENCH 13-16		1				
A03	783202-0	HEX. WRENCH 4		1				
A04	E-03006	ABRASIVE CUT-OFF WHEEL/ INOX		1				
A06B	***DC18RD	DC18RD TWO PORT FAST CHARGER		1				
D10		COMPO-PARTS						
A07B	197280-8	BATTERY BL1850B SET		2				

Please order the parts with part number.

Print Date 10/3/2020