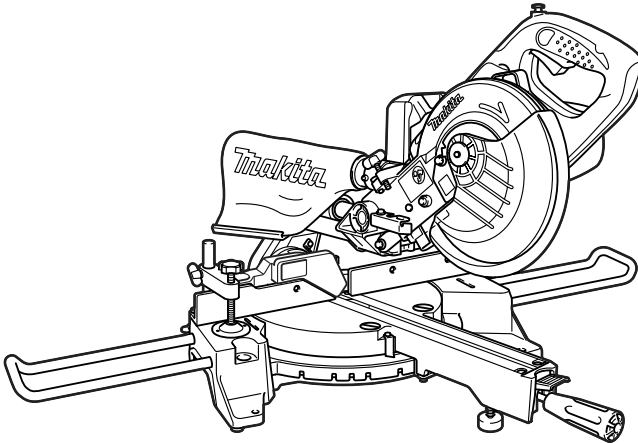
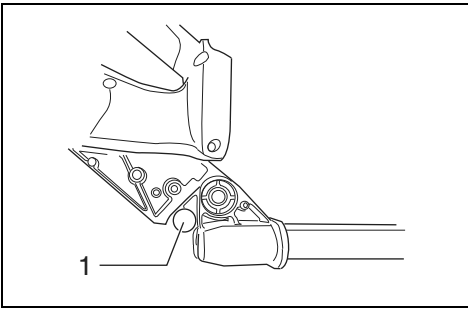




GB	Cordless Slide Compound Miter Saw	Instruction Manual
F	Scie Radiale Sans Fil	Manuel d'instructions
D	Akku-Kapp-und Gehrungssäge	Betriebsanleitung
I	Sega composita a slitta a batteria	Istruzioni per l'uso
NL	Schuifbare accu-afkortverstekzaag	Gebruiksaanwijzing
E	Sierra de Inglete Inalámbrica	Manual de instrucciones
P	Serra de Esquadria a Bateria	Manual de instruções
DK	Kombineret afkorter-geringssav med akku	Brugsanvisning
GR	Ολισθαίνον δισκοπρίονο σύνθετης λοξοτομής	Οδηγίες χρήσεως
TR	Akülü Kızaklı Birleşik Gönyeburun Testere	Kullanma kılavuzu

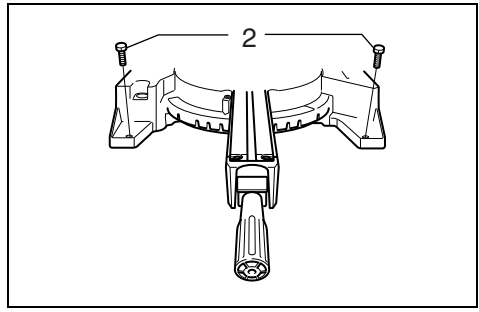
DLS713





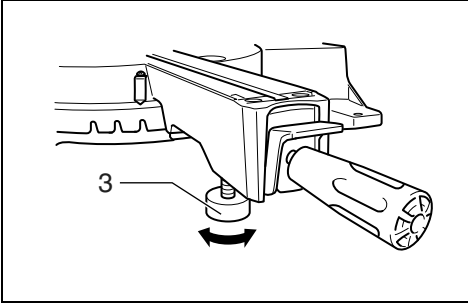
1

011300



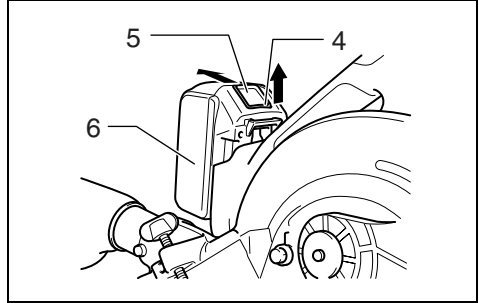
2

011236



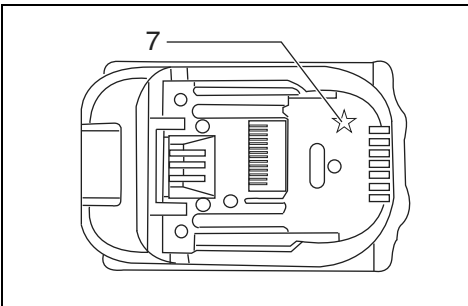
3

011237



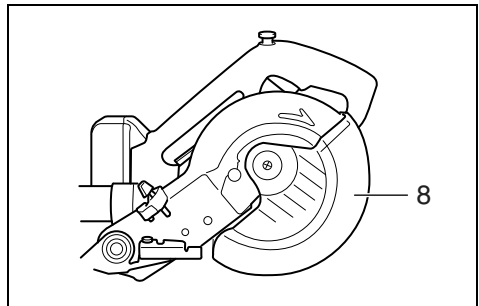
4

011235



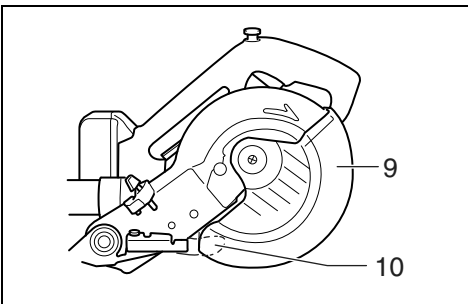
5

012128



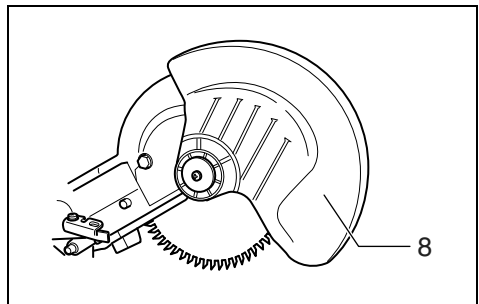
6

011238



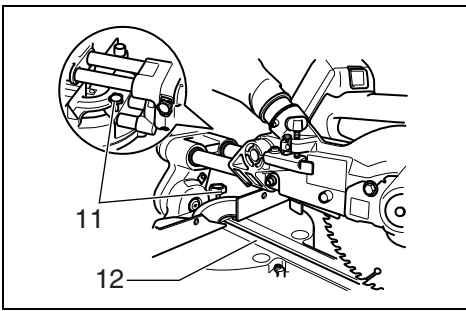
7

011267

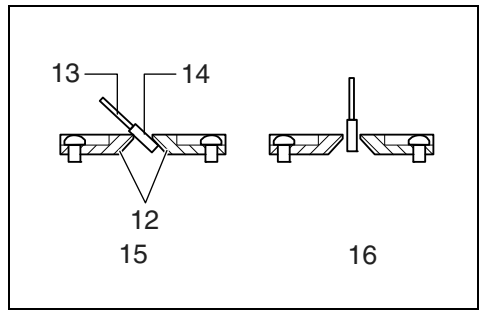


8

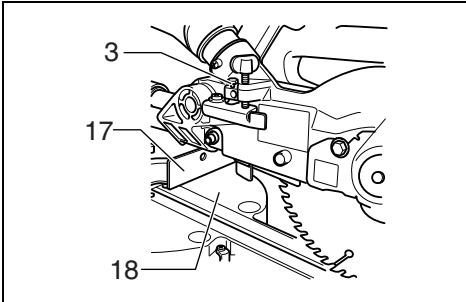
011239



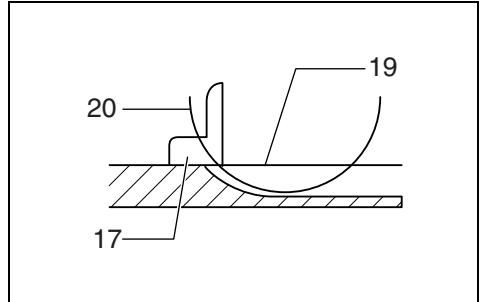
9 011240



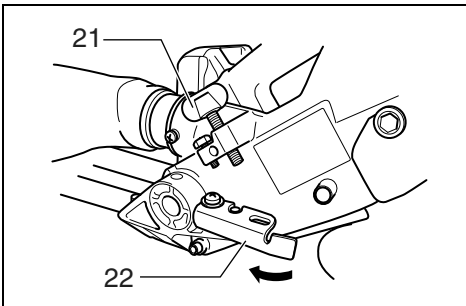
10 001800



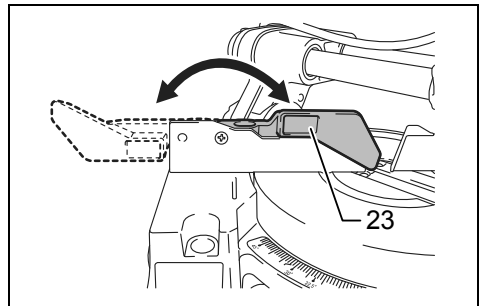
11 011265



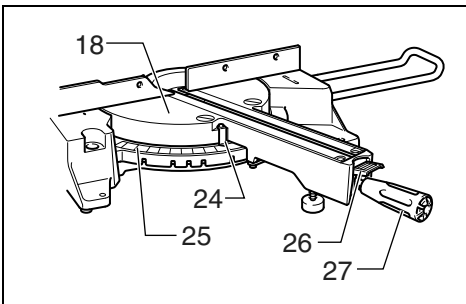
12 005516



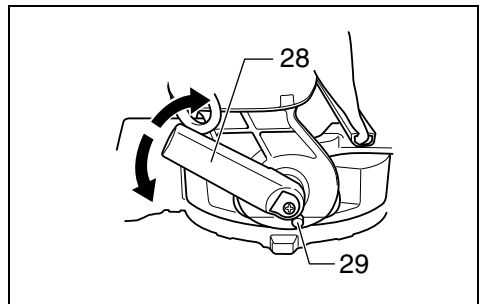
13 011241



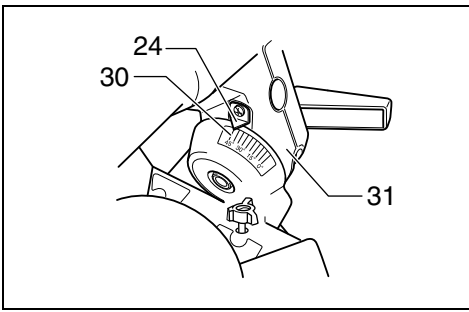
14 015250



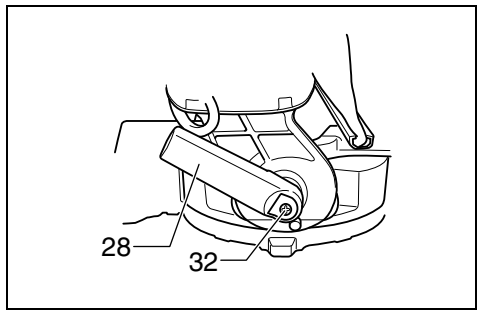
15 011242



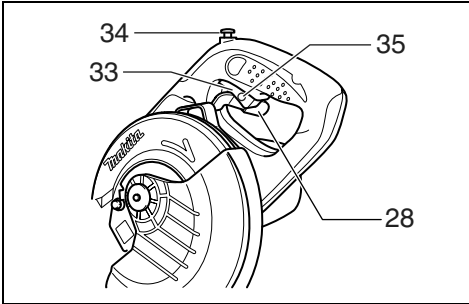
16 003930



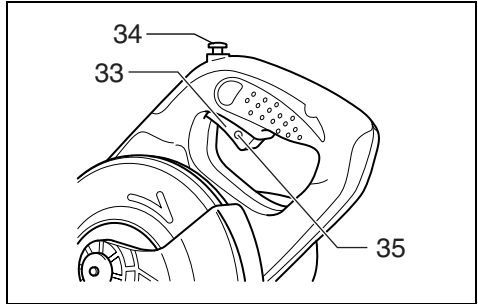
17 011301



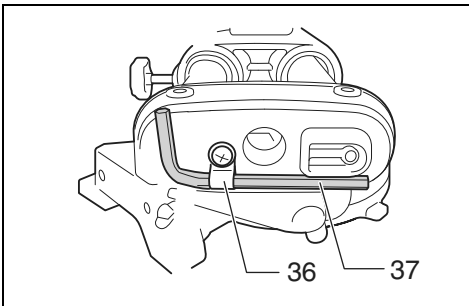
18 003932



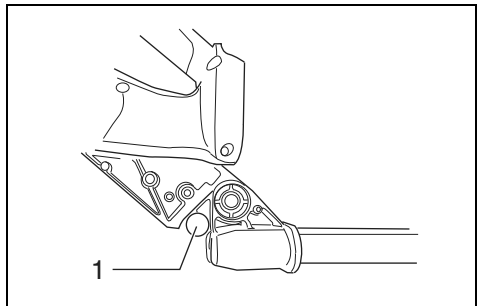
19 011266



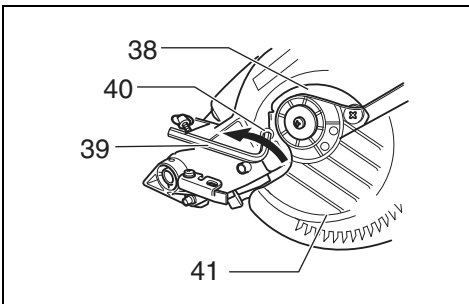
20 011243



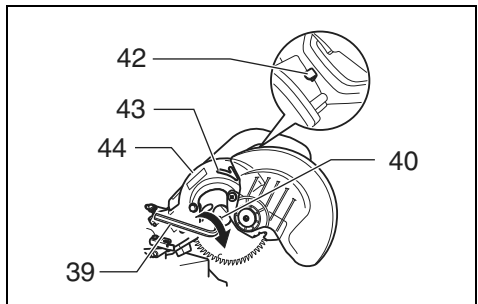
21 012595



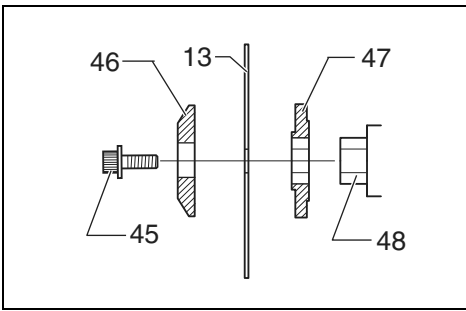
22 011300



23 012586

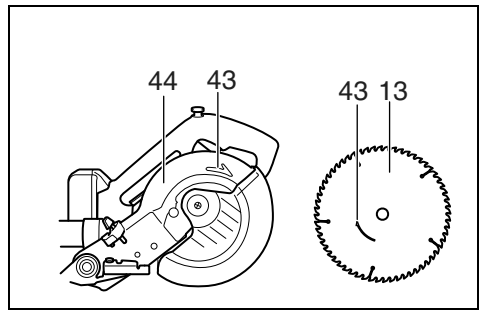


24 012587



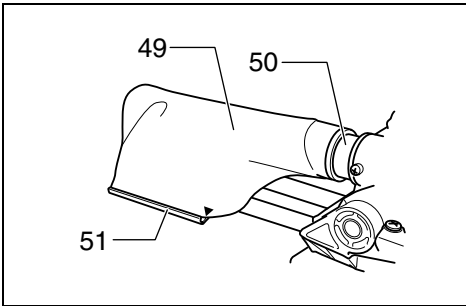
25

012719



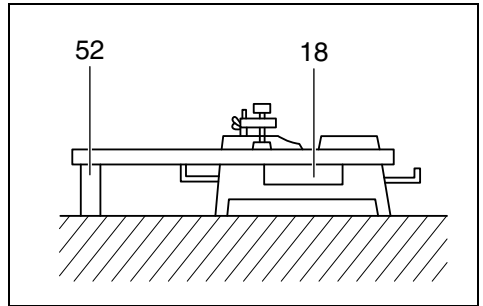
26

011244



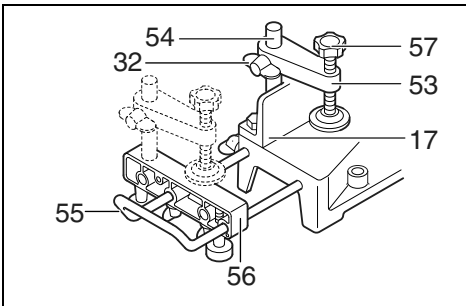
27

011304



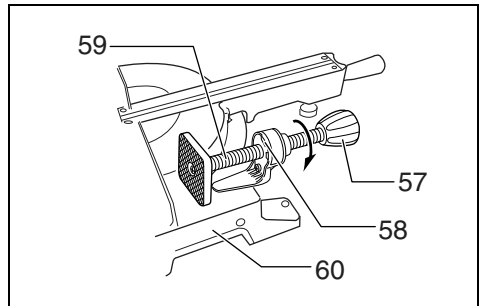
28

001549



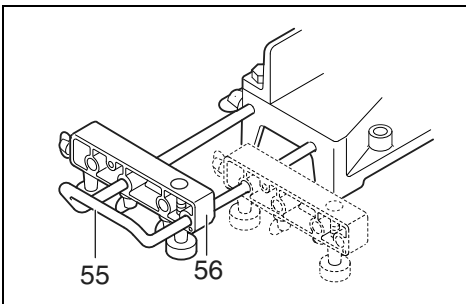
29

002255



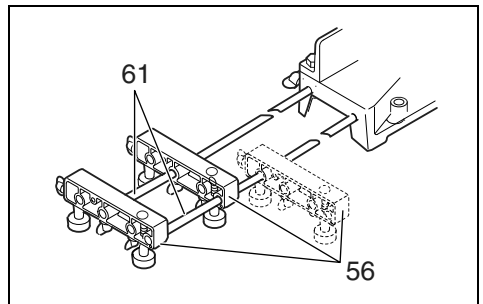
30

011305



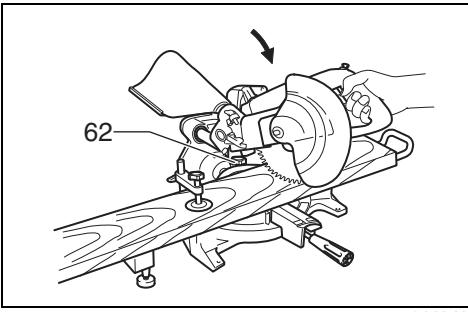
31

002247

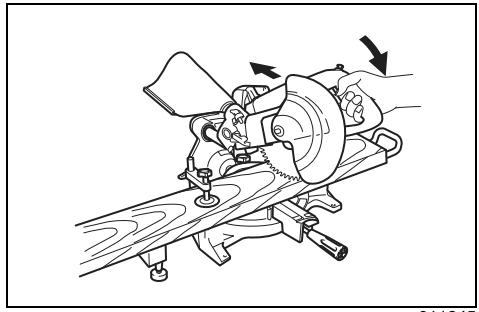


32

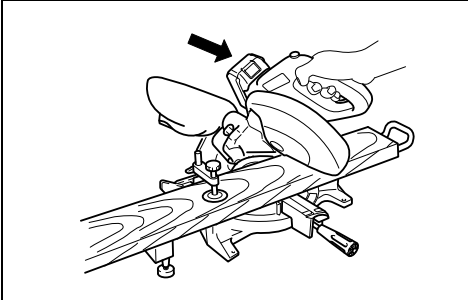
002246



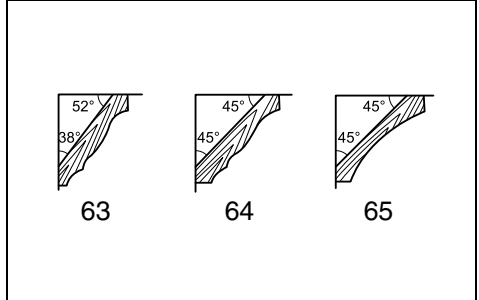
33 011248



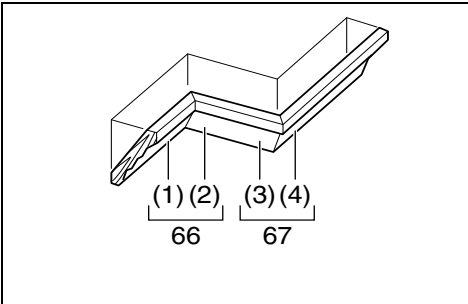
34 011245



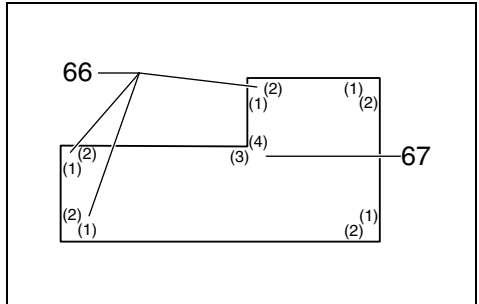
35 015248



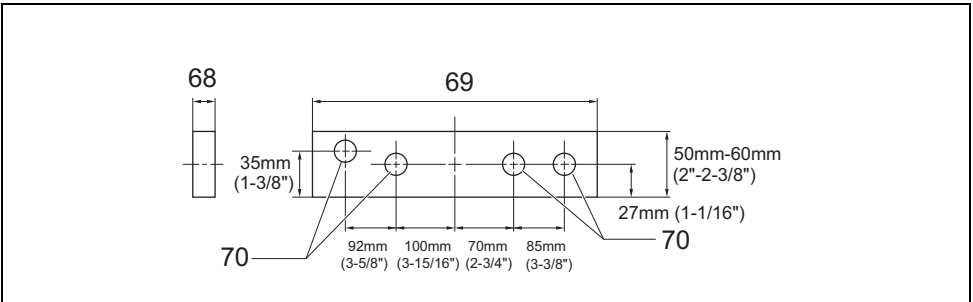
36 001555



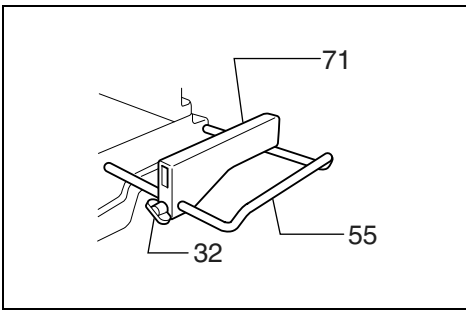
37 001556



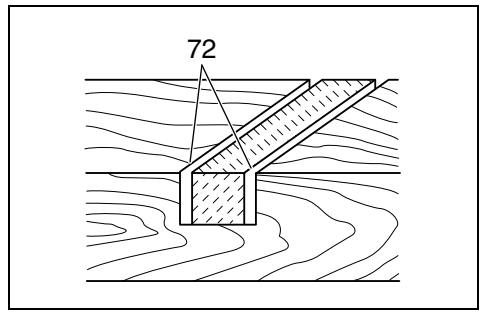
38 001557



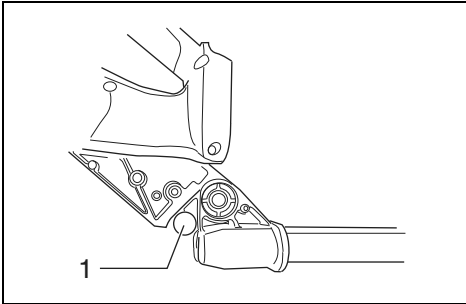
39 015253



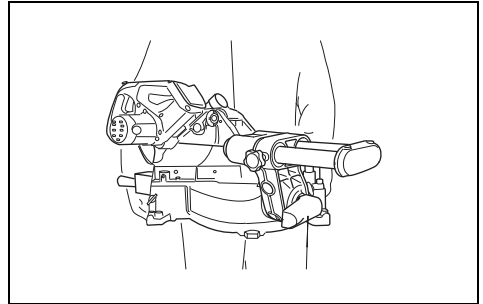
40 001846



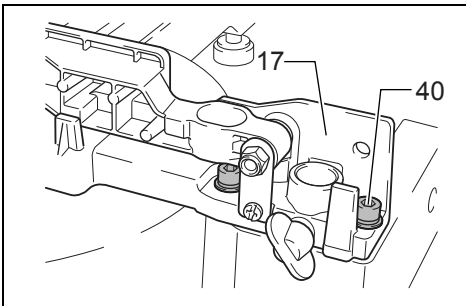
41 001563



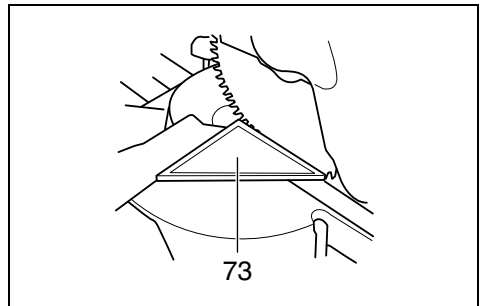
42 011300



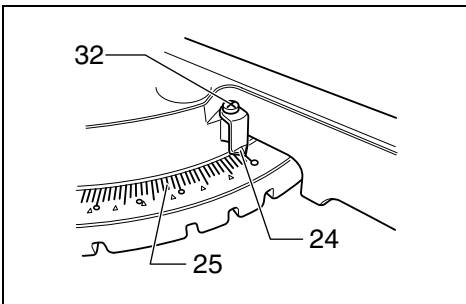
43 012715



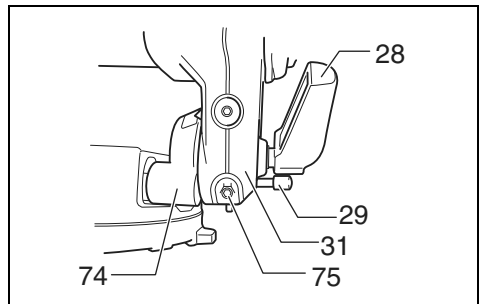
44 015252



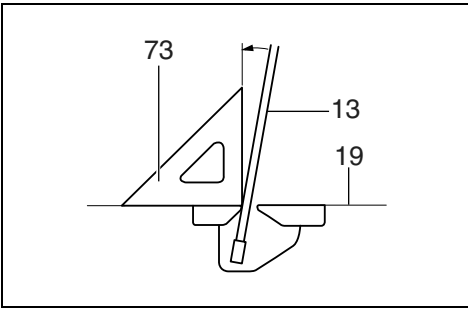
45 002209



46 003942

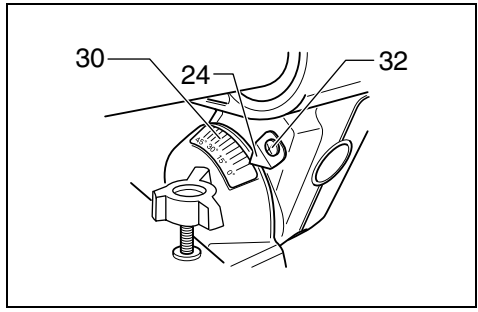


47 012589



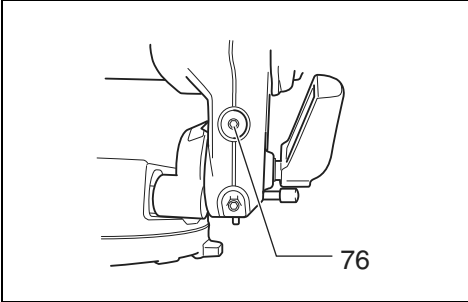
48

001819



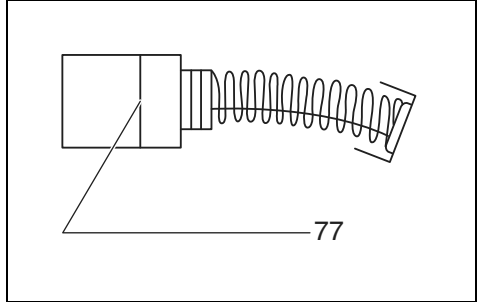
49

011306



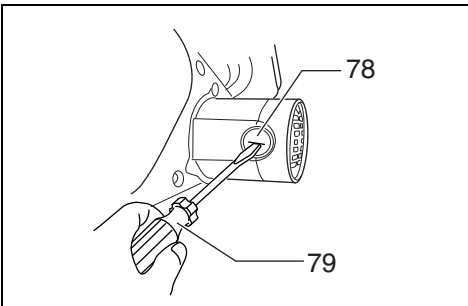
50

012590



51

001145



52

011307

Symbols

The followings show the symbols used for the equipment. Be sure that you understand their meaning before use.

Symboles

Nous donnons ci-dessous les symboles utilisés pour l'équipement. Assurez-vous que vous en avez bien compris la signification avant d'utiliser l'outil.

Simbolo

Die folgenden Symbole werden für das Gerät verwendet. Machen Sie sich vor der Benutzung unbedingt mit ihrer Bedeutung vertraut.

Simboli

Per questa apparecchiatura vengono usati i simboli seguenti. Bisogna capire il loro significato prima di usare l'apparecchiatura.

Symbolen

Voor dit apparaat worden de volgende symbolen gebruikt. Zorg ervoor dat u de betekenis van deze symbolen begrijpt alvorens het gereedschap te gebruiken.

Símbolos

A continuación se muestran los símbolos utilizados con este aparato. Asegúrese de que entienda su significado antes de usarla.

Símbolos

O seguinte mostra os símbolos utilizados para os aparelho. Certifique-se de que compreende o seu significado antes da utilização.

Symboler

I det følgende vises de symboler, som anvendes til udstyret. Vær sikker på, at De har forstået symbolernes betydning, før maskinen anvendes.

Σύμβολα

Τα ακόλουθα δείχνουν τα σύμβολα που χρησιμοποιούνται για τον εξοπλισμό. Βεβαιωθείτε ότι καταλαβαίνετε τη σημασία τους πριν από τη χρήση.

Semboller

Aşağıdakiler makinanız için kullanılan sembolleri göstermektedir. Kullanmadan önce manalarını anladığınızdan emin olunuz.



- Read instruction manual.
- Lire le mode d'emploi.
- Bitte Bedienungsanleitung lesen.
- Leggete il manuale di istruzioni.
- Lees de gebruiksaanwijzing.
- Lea el manual de instrucciones.
- Leia o manual de instruções.
- Læs brugsanvisningen.
- Διαβάστε τις οδηγίες χρήσης.
- El kitabını okuyun.



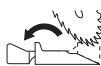
- To avoid injury from flying debris, keep holding the saw head down, after making cuts, until the blade has come to a complete stop.
- Pour éviter les blessures causées par les objets projetés, maintenez la tête de la scie en position basse une fois la coupe terminée, jusqu'à ce que la lame soit complètement arrêtée.
- Um Verletzungen durch herausgeschleuderte Teile zu vermeiden, halten Sie den Sägekopf nach Ausführung von Schnitten abgesenkt, bis das Sägeblatt völlig zum Stillstand gekommen ist.
- Per evitare lesioni dalle schegge volanti, dopo aver eseguito il taglio tenere abbassata la testa sega finché la lama non si è arrestata completamente.
- Om verwonding door weggeslingerd zaagafval te voorkomen, dient u na het voltooiën van een snede de zaagkop omlaag te houden totdat het zaagblad volledig tot stilstand is gekomen.
- Para evitar sufrir heridas a causa de restos que salen despedidos, siga sujetando la cabeza de la sierra hacia abajo, al terminar los cortes, hasta que el disco se haya parado completamente.
- Para evitar danos causados por aparos que saltem, mantenha a cabeça da serra para baixo, depois de terminar os cortes, até que a lâmina esteja completamente parada.
- For at undgå at komme til skade på grund af flyvende affald, skal man holde savhovedet nede efter skæring, indtil savklingen står helt stille.
- Για να αποφύγετε τραυματισμό από ιπτάμενα τεμαχίδια, κρατάτε το πριόνι με το κεφάλι προς τα κάτω, αφού κάνετε κοπές, μέχρι η λάμα να σταματήσει τελείως.
- Siçrayan parçalardan yaralanmayı önlemek için kesim bittikten sonra bıçak tamamen durana kadar testere başını daima aşağıda tutun.



- When performing slide cut, first pull carriage fully and press down handle, then push carriage toward the guide fence.
- Lorsque vous effectuez une coupe en glissière, tirez d'abord complètement le chariot et abaissez la poignée, puis poussez le chariot vers le guide.
- Ziehen Sie den Schlitten zur Ausführung von Schiebescnitten zunächst ganz vor, drücken Sie den Griff nach unten, und schieben Sie dann den Schlitten zum Gehrungsanschlag.
- Per eseguire un taglio di scorrimento, tirare prima completamente il carrello, premere giù il manico e spingere poi il carrello verso la guida pezzo.
- Bij drukkend (glijdend) zagen, dient u eerst de slede volledig naar u toe te trekken en het handvat omlaag te drukken. Duw daarna de slede naar de geleider toe.
- Cuando haga cortes de deslizamiento, primero tire del carro completamente y presione hacia abajo la empuñadura, después empuje el carro hacia la guía lateral.
- Quando executa corte corrediço, puxe primeiro o carro completamente e empurre a pega para baixo e em seguida empurre o carro na direção da placa guia.
- Når man udfører savning ved gliden, skal man først trække slæden helt og trykke håndtaget ned og derefter trykke slæden mod anslaget.
- Όταν εκτελείτε ολισθητική κοπή, πρώτα τραβήχτε την κινητή βάση πλήρως και πατήστε την λαβή κάτω, μετά σπρώχτε την κινητή βάση προς τον φράχτη οδηγό.
- Kızaklı kesme sırasında önce taşıyıcıyı tamamen çekin ve kola bastırın, ardından taşıyıcıyı kilavuz bariyeri boyunca itin.



- Do not place hand or fingers close to the blade.
- Ne pas placer les mains ou les doigts près de la lame.
- Halten Sie Hände oder Finger vom Sägeblatt fern.
- Non avvicinare le mani o le dita alla lama.
- Kom met uw handen of vingers niet te dicht bij het zaagblad.
- No ponga la mano ni los dedos cerca del disco.
- Não coloque a sua mão ou dedos perto da lâmina.
- Hold hænder og fingre på god afstand af klinger.
- Μη βάζετε το χέρι ή τα δάκτυλα κοντά στην λάμα.
- Elinizi ve parmaklarınızı bıçağa yaklaştırmayın.



- Always set SUB-FENCE to left position when performing left bevel cuts. Failure to do so may cause serious injury to operator.
- Placez toujours le GUIDE INFÉRIEUR en position gauche pour les coupes en biseau à gauche. Le non-respect de cette consigne peut entraîner des blessures graves pour l'opérateur.
- Stellen Sie den ZUSATZANSCHLAG bei der Durchführung von linksseitigen Neigungsschnitten immer auf die linke Position. Anderenfalls kann es zu schweren Verletzungen der Bedienungsperson kommen.
- Mettere sempre la GUIDA PEZZO SECONDARIA sulla posizione a sinistra per eseguire i tagli inclinati a sinistra. In caso contrario, c'è pericolo di un serio incidente per l'operatore.
- Klap voor het links schuin zagen altijd het HULPBESCHERMBLAD om naar de linker stand. Als u dit nalaat, kan dat ernstig gevaar voor de gebruiker van de zaag opleveren.
- Ponga siempre la GUÍA SECUNDARIA en la posición izquierda cuando realice cortes en bisel izquierdo. De lo contrario, podrá sufrir graves heridas.
- Coloque sempre a SUB-GUIA para a esquerda quando realizar cortes de esquadria bisel a esquerda. Se não o fizer, o operador pode sofrer ferimentos graves.
- Sæt altid UNDERANSLAGET til den venstre stilling, når der udføres venstre skråsnit. Forsømmelse af dette kan bevirke, at operatøren kommer alvorligt til skade.
- Να ρυθμίζετε πάντα το ΒΟΗΘΗΤΙΚΟ ΦΡΑΧΤΗ στην αριστερή θέση όταν πραγματοποιείτε αριστερές κωνικές τομές. Αν δεν το κάνετε αυτό, μπορεί να προκληθεί σοβαρός τραυματισμός στο χειριστή.
- Sola eđimli kesim yaparken her zaman ALT BARIYERİ sol konuma ayarlayın. Bunun yapılmaması operatörün ciddi şekilde yaralanmasına sebep olabilir.



- Only for EU countries
Do not dispose of electric equipment or battery pack together with household waste material!
In observance of the European Directives, on Waste Electric and Electronic Equipment and Batteries and Accumulators and Waste Batteries and Accumulators and their implementation in accordance with national laws, electric equipment and batteries and battery pack(s) that have reached the end of their life must be collected separately and returned to an environmentally compatible recycling facility.
- Pour les pays européens uniquement
Ne pas jeter les appareils électriques et les batteries avec les ordures ménagères !
Conformément à la directive européenne relative aux déchets d'équipements électriques et électroniques (DEEE) et à la directive européenne relative aux piles et accumulateurs ainsi qu'aux déchets de piles et accumulateurs et à leur transposition dans la législation nationale, les équipements électriques, les piles et assemblages en batterie qui ont atteint la fin de leur durée de service doivent être collectés à part et être soumis à un recyclage respectueux de l'environnement.
- Nur für EU-Länder
Werfen Sie Elektrogeräte oder Akkus nicht in den Hausmüll!
Gemäß den Europäischen Richtlinien für Elektro- und Elektronik-Altgeräte, für Batterien, Akkus sowie verbrauchte Batterien und Akkus und ihre Umsetzung gemäß den Landesgesetzen müssen Elektrogeräte, Batterien und Akkus, die das Ende ihrer Lebensdauer erreicht haben, getrennt gesammelt und einer umweltgerechten Recycling-Einrichtung zugeführt werden.
- Solo per Paesi UE
Questo apparecchio elettrico o la batteria non devono essere gettati via con i rifiuti domestici.
In osservanza alle direttive europee sulla rottamazione degli apparecchi elettrici ed elettronici, delle batterie e degli accumulatori, e delle batterie e degli accumulatori di scarto, e la loro implementazione in ottemperanza alle leggi nazionali, gli apparecchi elettrici, le batterie e i pacchi batteria che hanno raggiunto la fine della loro vita di servizio devono essere raccolti separatamente e portati a un centro di riciclaggio compatibile con l'ambiente.
- Alleen voor EU-landen
Geef elektrisch gereedschap of accu's niet met het huisvuil mee!
Met inachtneming van de Europese Richtlijnen betreffende afgedankte elektrische en elektronische apparatuur, batterijen en accu's inclusief opgebruikte batterijen en accu's, en de implementatie van deze richtlijnen in overeenstemming met nationale wetgeving, moeten elektrische apparaten, batterijen en accu's die het einde van hun levensduur bereikt hebben, gescheiden worden ingezameld en worden ingeleverd bij een recyclingbedrijf dat aan de milieुरichtlijnen voldoet.
- Sólo para países de la Unión Europea
¡No tire aparatos eléctricos ni baterías a la basura con los residuos domésticos!
En conformidad con las Directivas Europeas, sobre residuos de aparatos eléctricos y electrónicos y sobre baterías y acumuladores y residuos de baterías y de acumuladores y su aplicación de acuerdo con la legislación nacional, los aparatos eléctricos y las baterías cuya vida útil haya llegado a su fin se deberán recoger por separado y trasladar a una planta de reciclaje que cumpla con las exigencias ecológicas.
- Apenas para países da UE
Não deite equipamentos eléctricos nem baterias no lixo doméstico!
De acordo com as directivas europeias, relativas aos resíduos de equipamentos eléctricos e electrónicos e a pilhas e acumuladores e respectivos resíduos e a sua implementação em conformidade com as leis nacionais, o equipamento eléctrico e pilhas e pack(s) de baterias que tenham atingido o fim da sua vida devem ser recolhidos separadamente e encaminhados para a uma instalação de reciclagem ambientalmente compatível.
- Kun for EU-lande
Undlad at bortskaffe elektrisk udstyr eller akkuer sammen med almindeligt husholdningsaffald.
I henhold til det europæiske direktiv om bortskaffelse af udtjent elektrisk og elektronisk udstyr og batterier og akkumulatorer samt udtjente batterier og akkumulatorer og udførelsen af dette i overensstemmelse med nationale love, skal elektrisk udstyr og batterier og akku(er), som er udtjente, indsamles separat og returneres til en miljømæssigt kompatibel genfindingsfacilitet.

- Μόνο για τις χώρες της ΕΕ
Μην απορρίπτετε ηλεκτρικό εξοπλισμό ή μπαταρίες μαζί με τα οικιακά απόβλητα!
Σύμφωνα με τις Ευρωπαϊκές Οδηγίες για τον απόβλητο ηλεκτρικό και τον ηλεκτρονικό εξοπλισμό και τις μπαταρίες και συσσωρευτές και τις απόβλητες μπαταρίες και συσσωρευτές και την ενσωμάτωσή τους στην εθνική νομοθεσία, ο ηλεκτρικός εξοπλισμός και οι μπαταρίες που έχουν φτάσει στο τέλος ζωής τους πρέπει να συλλέγονται ξεχωριστά και να επιστρέφονται σε εγκαταστάσεις περιβαλλοντικής ανακύκλωσης.
- Sadece AB ülkeleri için
Elektrik donanımını ve batarya kutusunu evsel atıklarla birlikte bertaraf etmeyiniz!
Atık Elektrikli ve Elektronik Donanımlar, Piller ve Akümülatörler ve Atık Piller ve Akümülatörler konusundaki Avrupa Direktifleri ve bunların ulusal yasalara uygulanmaları uyarınca, kullanım ömürleri biten elektrikli donanımların, pillerin ve pil takım(lar)ının ayrı toplanmaları ve çevreye uyumlu bir geri kazanım tesisine getirilmeleri gereklidir.

Explanation of general view

1 Stopper pin	28 Lever	55 Holder
2 Bolt	29 Release button	56 Holder assembly
3 Adjusting bolt	30 Bevel scale	57 Vise knob
4 Red part	31 Arm	58 Projection
5 Button	32 Screw	59 Vise shaft
6 Battery cartridge	33 Switch trigger	60 Base
7 Star marking	34 Lock-off button	61 Rod 12
8 Blade guard	35 Hole for padlock	62 Clamp screw
9 Blade guard A	36 Wrench holder	63 52/38° type crown molding
10 Blade guard B	37 Hex wrench	64 45° type crown molding
11 Thumb screw	38 Center cover	65 45° type cove molding
12 Kerf board	39 Hex wrench	66 Inside corner
13 Saw blade	40 Hex socket bolt	67 Outside corner
14 Blade teeth	41 Safety cover	68 Over 15 mm (5/8")
15 Left bevel cut	42 Shaft lock	69 Over 420 mm (16-1/2")
16 Straight cut	43 Arrow	70 Holes
17 Guide fence	44 Blade case	71 Set plate
18 Turn base	45 Hex socket bolt (left-handed)	72 Cut grooves with blade
19 Top surface of turn table	46 Outer flange	73 Triangular rule
20 Periphery of blade	47 Inner flange	74 Arm holder
21 Adjusting screw	48 Spindle	75 0° bevel angle adjusting bolt
22 Stopper arm	49 Dust bag	76 Left 45° bevel angle adjusting bolt
23 Sub-fence	50 Dust nozzle	77 Limit mark
24 Pointer	51 Fastener	78 Brush holder cap
25 Miter scale	52 Support	79 Screwdriver
26 Lock lever	53 Vise arm	
27 Grip	54 Vise rod	

SPECIFICATIONS

Model

DLS713

Blade diameter	190 mm
Blade body thickness	1.3 mm – 2.0 mm
Hole (arbor) diameter	20 mm
Max. Miter angle	Left 47°, Right 57°
Max. Bevel angle	Left 45°, Right 5°
Max. Cutting capacities (H x W) with blade 190 mm in diameter.	

Miter angle	Bevel angle		
	45° (left)	0°	5° (right)
0°	25 mm x 300 mm	52 mm x 300 mm	40 mm x 300 mm
	—	*60 mm x 265 mm (Note 1)	—
45° (left and right)	25 mm x 212 mm	52 mm x 212 mm	—
	—	*60 mm x 185 mm (Note 2)	—
57° (right)	—	52 mm x 163 mm	—
	—	*60 mm x 145 mm (Note 3)	—

No load speed (min ⁻¹)	2,200
Dimensions (L x W x H)	655 mm x 430 mm x 454 mm
Net weight	12.7 kg
Rated voltage	D.C. 18 V

(Note)

* mark indicates that a wood facing with the following thickness is used.

1: When using a wood facing 20 mm thickness.

2: When using a wood facing 15 mm thickness.

3: When using a wood facing 10 mm thickness.

- Due to our continuing program of research and development, the specifications herein are subject to change without notice.
- Specifications and battery cartridge may differ from country to country.
- Weight, with battery cartridge, according to EPTA-Procedure 01/2003

Intended use

The tool is intended for accurate straight and miter cutting in wood.

General Power Tool Safety Warnings

⚠ WARNING Read all safety warnings and all instructions. Failure to follow the warnings and instructions may result in electric shock, fire and/or serious injury.

Save all warnings and instructions for future reference.

CORDLESS MITER SAW SAFETY WARNINGS

1. Keep hands out of path of saw blade. Avoid contact with any coasting blade. It can still cause severe injury.
2. Check the saw blade carefully for cracks or deformation before operation. Replace damaged blade immediately.
3. Replace the kerf board when worn.
4. Use only saw blades specified by the manufacturer which conform to EN847-1.
5. Do not use saw blades manufactured from high speed steel.
6. Wear eye protection.
7. Wear hearing protection to reduce the risk of hearing loss.
8. Wear gloves for handling saw blade (saw blades shall be carried in a holder wherever practicable) and rough material.
9. Connect miter saws to a dust collecting device when sawing.
10. Select saw blades in relation to the material to be cut.
11. Do not use the saw to cut other than wood.
12. Always secure all moving portions before carrying the tool. When lifting or carrying the tool, do not use the guard as a carrying handle.
13. Do not operate saw without guards in place. Check blade guard for proper closing before each use. Do not operate saw if blade guard does not move freely and close instantly. Never clamp or tie the blade guard into the open position.
14. Keep the floor area free of loose material e.g. chips and cut-offs.
15. Use only saw blades that are marked with a maximum speed equal to or higher than the no load speed marked on the tool.
16. When the tool is fitted with a laser or LED, do not replace the laser or LED with a different type. Ask an authorized service center for repair.
17. Never remove any cut-offs or other parts of the workpiece from the cutting area whilst the tool is running with an unguarded saw blade.
18. Do not perform any operation freehand. The workpiece must be secured firmly against the turn base and guide fence with the vise during all operations. Never use your hand to secure the workpiece.
19. Ensure that the tool is stable before each cut.
20. Fix the tool to a work bench, if needed.
21. Support long workpieces with appropriate additional supports.

22. Never cut so small workpiece which cannot be securely held by the vise. Improperly held workpiece may cause kickback and serious personal injury.
23. Never reach around saw blade.
24. Turn off tool and wait for saw blade to stop before moving workpiece or changing settings.
25. Unplug tool before changing blade or servicing.
26. Stopper pin which locks the cutter head down is for carrying and storage purposes only and not for any cutting operations.
27. Do not use the tool in the presence of flammable liquids or gases. The electrical operation of the tool could create an explosion and fire when exposed to flammable liquids or gases.
28. Use only flanges specified for this tool.
29. Be careful not to damage the arbor, flanges (especially the installing surface) or bolt. Damage to these parts could result in blade breakage.
30. Make sure that the turn base is properly secured so it will not move during operation.
31. For your safety, remove the chips, small pieces, etc. from the table top before operation.
32. Avoid cutting nails. Inspect for and remove all nails from the workpiece before operation.
33. Make sure the shaft lock is released before the switch is turned on.
34. Be sure that the blade does not contact the turn base in the lowest position.
35. Hold the handle firmly. Be aware that the saw moves up or down slightly during start-up and stopping.
36. Make sure the blade is not contacting the workpiece before the switch is turned on.
37. Before using the tool on an actual workpiece, let it run for a while. Watch for vibration or wobbling that could indicate poor installation or a poorly balanced blade.
38. Wait until the blade attains full speed before cutting.
39. Stop operation immediately if you notice anything abnormal.
40. Do not attempt to lock the trigger in the on position.
41. Be alert at all times, especially during repetitive, monotonous operations. Do not be lulled into a false sense of security. Blades are extremely unforgiving.
42. Always use accessories recommended in this manual. Use of improper accessories such as abrasive wheels may cause an injury.
43. Take care when slotting.
44. Some dust created from operation contains chemicals known to cause cancer, birth defects or other reproductive harm. Some examples of these chemicals are:
 - lead from lead-based-painted material and,
 - arsenic and chromium from chemically-treated lumber.
 Your risk from these exposures varies, depending on how often you do this type of work. To reduce your exposure to these chemicals: work in a well ventilated area and work with approved safety equipment, such as those dust masks that are specially designed to filter out microscopic particles.

45. To reduce the emitted noise, always be sure that the blade is sharp and clean.
46. The operator is adequately trained in the use, adjustment and operation of the machine.

SAVE THESE INSTRUCTIONS.

⚠ WARNING:

DO NOT let comfort or familiarity with product (gained from repeated use) replace strict adherence to safety rules for the subject product. MISUSE or failure to follow the safety rules stated in this instruction manual may cause serious personal injury.

ENC007-7

IMPORTANT SAFETY INSTRUCTIONS

FOR BATTERY CARTRIDGE

1. Before using battery cartridge, read all instructions and cautionary markings on (1) battery charger, (2) battery, and (3) product using battery.
2. Do not disassemble battery cartridge.
3. If operating time has become excessively shorter, stop operating immediately. It may result in a risk of overheating, possible burns and even an explosion.
4. If electrolyte gets into your eyes, rinse them out with clear water and seek medical attention right away. It may result in loss of your eyesight.
5. Do not short the battery cartridge:
 - (1) Do not touch the terminals with any conductive material.
 - (2) Avoid storing battery cartridge in a container with other metal objects such as nails, coins, etc.
 - (3) Do not expose battery cartridge to water or rain.
A battery short can cause a large current flow, overheating, possible burns and even a breakdown.
6. Do not store the tool and battery cartridge in locations where the temperature may reach or exceed 50°C (122°F).
7. Do not incinerate the battery cartridge even if it is severely damaged or is completely worn out. The battery cartridge can explode in a fire.
8. Be careful not to drop or strike battery.
9. Do not use a damaged battery.

SAVE THESE INSTRUCTIONS.

Tips for maintaining maximum battery life

1. Charge the battery cartridge before completely discharged.
Always stop tool operation and charge the battery cartridge when you notice less tool power.
2. Never recharge a fully charged battery cartridge. Overcharging shortens the battery service life.
3. Charge the battery cartridge with room temperature at 10°C – 40°C (50°F – 104°F). Let a hot battery cartridge cool down before charging it.
4. Charge the battery cartridge once in every six months if you do not use it for a long period of time.

INSTALLATION

Bench mounting

When the tool is shipped, the handle is locked in the lowered position by the stopper pin. Release the stopper pin by simultaneously applying a slight downward pressure on the handle and pulling the stopper pin. (Fig. 1)

⚠ WARNING:

- Ensure that the tool will not move on the supporting surface. Movement of the miter saw on the supporting surface while cutting may result in loss of control and serious personal injury.

This tool should be bolted with two bolts to a level and stable surface using the bolt holes provided in the tool's base. This will help prevent tipping and possible injury. (Fig. 2)

Turn the adjusting bolt clockwise or counterclockwise so that it comes into a contact with the floor surface to keep the tool stable. (Fig. 3)

FUNCTIONAL DESCRIPTION

⚠ WARNING:

- Always be sure that the tool is switched off and the battery cartridge is removed before adjusting or checking the functions on the tool. Failure to switch off and remove the battery cartridge may result in serious personal injury from accidental start-up.

Installing or removing battery cartridge (Fig. 4)

- Always switch off the tool before insertion or removal of the battery cartridge.
- To remove the battery cartridge, withdraw it from the tool while sliding the button on the front of the cartridge.
- To insert the battery cartridge, align the tongue on the battery cartridge with the groove in the housing and slip it into place. Always insert it all the way until it locks in place with a little click. If you can see the red part on the upper side of the button, it is not locked completely. Insert it fully until the red part cannot be seen. If not, it may accidentally fall out of the tool, causing injury to you or someone around you.
- Do not use force when inserting the battery cartridge. If the cartridge does not slide in easily, it is not being inserted correctly.

Battery protection system (Lithium-ion battery with star marking) (Fig. 5)

Lithium-ion batteries with a star marking are equipped with a protection system. This system automatically cuts off power to the tool to extend battery life.

The tool will automatically stop during operation if the tool and/or battery are placed under one of the following conditions:

- Overloaded:

The tool is operated in a manner that causes it to draw an abnormally high current.

In this situation, release the trigger switch on the tool and stop the application that caused the tool to become overloaded. Then pull the trigger switch again to restart.

If the tool does not start, the battery is overheated. In this situation, let the battery cool before pulling the trigger switch again.

- Low battery voltage:

The remaining battery capacity is too low and the tool will not operate. In this situation, remove and recharge the battery.

Blade guard

For all countries other than European countries (Fig. 6)

When lowering the handle, the blade guard rises automatically. The guard is spring loaded so it returns to its original position when the cut is completed and the handle is raised.

WARNING:

- **Never defeat or remove the blade guard or the spring which attaches to the guard.** An exposed blade as a result of defeated guarding may result in serious personal injury during operation.

In the interest of your personal safety, always maintain the blade guard in good condition. Any irregular operation of the blade guard should be corrected immediately. Check to assure spring loaded return action of guard.

WARNING:

- **Never use the tool if the blade guard or spring are damaged, faulty or removed.** Operation of the tool with a damaged, faulty or removed guard may result in serious personal injury.

For European countries (Fig. 7)

When lowering the handle, the blade guard A rises automatically. The blade guard B rises as it contacts a workpiece. The guards are spring loaded so it returns to its original position when the cut is completed and the handle is raised.

WARNING:

- **Never defeat or remove the blade guard or the spring which attaches to the guard.** An exposed blade as a result of defeated guarding may result in serious personal injury during operation.

In the interest of your personal safety, always maintain each blade guard in good condition. Any irregular operation of the blade guards should be corrected immediately. Check to assure spring loaded return action of guards.

WARNING:

- **Never use the tool if the blade guard or spring are damaged, faulty or removed.** Operation of the tool with a damaged, faulty or removed guard may result in serious personal injury.

If the see-through blade guard becomes dirty, or sawdust adheres to it in such a way that the blade and/or workpiece is no longer easily visible, remove the battery cartridge and clean the guard carefully with a damp cloth.

Do not use solvents or any petroleum-based cleaners on the plastic guard because this may cause damage to the guard.

If the blade guard becomes dirty and needs to be cleaned for proper operation follow the steps below:

With the tool switched off and the battery cartridge removed, use the supplied hex wrench to loosen the hex socket bolt holding the center cover. Loosen the hex socket bolt by turning it counterclockwise and raise the blade guard and center cover. (Fig. 8)

With the blade guard so positioned, cleaning can be more completely and efficiently accomplished. When cleaning is complete, reverse procedure above and secure bolt. Do not remove spring holding blade guard. If guard becomes damaged through age or UV light exposure, contact a Makita service center for a new guard.
DO NOT DEFEAT OR REMOVE GUARD.

Positioning kerf board (Fig. 9 & 10)

This tool is provided with the kerf boards in the turn base to minimize tearing on the exit side of a cut. The kerf boards are factory adjusted so that the saw blade does not contact the kerf boards. Before use, adjust the kerf boards as follows:

First, remove the battery cartridge. Loosen all the screws (2 each on left and right) securing the kerf boards. Retighten them only to the extent that the kerf boards can still be easily moved by hand. Lower the handle fully and push in the stopper pin to lock the handle in the lowered position. Loosen two clamp screws which secure the slide poles. Pull the carriage toward you fully. Adjust the kerf boards so that the kerf boards just contact the sides of the blade teeth. Tighten the front screws (do not tighten firmly). Push the carriage toward the guide fence fully and adjust the kerf boards so that the kerf boards just contact the sides of blade teeth. Tighten the rear screws (do not tighten firmly).

After adjusting the kerf boards, release the stopper pin and raise the handle. Then tighten all the screws securely.

NOTICE:

- **After setting the bevel angle ensure that the kerf boards are adjusted properly.** Correct adjustment of the kerf boards will help provide proper support of the workpiece minimizing workpiece tear out.

Maintaining maximum cutting capacity (Fig. 11 & 12)

This tool is factory adjusted to provide the maximum cutting capacity for a 190 mm saw blade.

Remove the battery cartridge before any adjustment is attempted. When installing a new blade, always check the lower limit position of the blade and if necessary, adjust it as follows:

First, remove the battery cartridge. Push the carriage toward the guide fence fully and lower the handle completely. Use the hex wrench to turn the adjusting bolt until the periphery of the blade extends slightly below the top surface of the turn base at the point where the front face of the guide fence meets the top surface of the turn base. With the battery cartridge removed, rotate the blade by hand while holding the handle all the way down to be sure that the blade does not contact any part of the lower base. Re-adjust slightly, if necessary.

WARNING:

- **After installing a new blade and with the battery cartridge removed, always be sure that the blade does not contact any part of the lower base when the handle is lowered completely.** If a blade makes contact with the base it may cause kickback and result in serious personal injury.

Stopper arm (Fig. 13)

The lower limit position of the blade can be easily adjusted with the stopper arm. To adjust it, move the stopper arm in the direction of the arrow as shown in the figure. Adjust the adjusting screw so that the blade stops at the desired position when lowering the handle fully.

Sub-fence (for European countries only) (Fig. 14)

This tool is equipped with the sub-fence. Usually position the sub-fence inside. However, when performing left bevel cuts, flip it outward.

CAUTION:

- When performing left bevel cuts, flip the sub-fence outward. Otherwise, it will contact the blade or a part of the tool, causing possible serious injury to the operator.

Adjusting the miter angle (Fig. 15)

Loosen the grip by turning counterclockwise. Turn the turn base while pressing down the lock lever. When you have moved the grip to the position where the pointer points to the desired angle on the miter scale, securely tighten the grip clockwise.

CAUTION:

- After changing the miter angle, always secure the turn base by tightening the grip firmly.

NOTICE:

- When turning the turn base, be sure to raise the handle fully.

Adjusting the bevel angle (Fig. 16 & 17)

To adjust the bevel angle, loosen the lever at the rear of the tool counterclockwise.

Push the handle to the left to tilt the saw blade until the pointer points to the desired angle on the bevel scale. Then tighten the lever clockwise firmly to secure the arm.

To tilt the blade to the right, push the release button at the rear of the tool while tilting the blade slightly to the left after loosening the lever. With the release button depressed, tilt the saw blade to the right.

CAUTION:

- After changing the bevel angle, always secure the arm by tightening the lever clockwise.

NOTICE:

- When tilting the saw blade be sure the handle is fully raised.
- When changing bevel angles, be sure to position the kerf boards appropriately as explained in the "Positioning kerf board" section.

Adjusting the lever position (Fig. 18)

The lever can be repositioned at every angle 30° when the lever does not provide full tightening.

Loosen and remove the screw that secures the lever at the rear of the tool. Remove the lever and install it again so that it is slightly above the level. Secure the lever with the screw firmly.

Switch action

For European countries (Fig. 19)

To prevent the switch trigger from being accidentally pulled, a lock-off button is provided. To start the tool, push the lever up, press in the lock-off button and then pull the switch trigger. Release the switch trigger to stop.

WARNING:

- **Before installing the battery cartridge on the tool, always check to see that the switch trigger actuates properly and returns to the "OFF" position when released. Do not pull the switch trigger hard without pressing in the lock-off button. This can cause switch breakage.** Operating a tool with a switch that does not actuate properly can lead to loss of control and serious personal injury.

A hole is provided in the switch trigger for insertion of padlock to lock the tool off.

For all countries other than European countries

(Fig. 20)

To prevent the switch trigger from being accidentally pulled, a lock-off button is provided. To start the tool, press in the lock-off button and pull the switch trigger. Release the switch trigger to stop.

WARNING:

- **Before installing the battery cartridge on the tool, always check to see that the switch trigger actuates properly and returns to the "OFF" position when released. Do not pull the switch trigger hard without pressing in the lock-off button. This can cause switch breakage.** Operating a tool with a switch that does not actuate properly can lead to loss of control and serious personal injury.

A hole is provided in the switch trigger for insertion of a padlock to lock the tool off.

WARNING:

- **Do not use a lock with a shank or cable any smaller than 6.35 mm (1/4") in diameter.** A smaller shank or cable may not properly lock the tool in the off position and unintentional operation may occur resulting in serious personal injury.
- **NEVER use tool without a fully operative switch trigger.** Any tool with an inoperative switch is HIGHLY DANGEROUS and must be repaired before further usage or serious personal injury may occur.
- For your safety, this tool is equipped with a lock-off button which prevents the tool from unintended starting. NEVER use the tool if it runs when you simply pull the switch trigger without pressing the lock-off button. A switch in need of repair may result in unintentional operation and serious personal injury. Return tool to a Makita service center for proper repairs BEFORE further usage.
- NEVER defeat the lock-off button by taping down or some other means. A switch with a defeated lock-off button may result in unintentional operation and serious personal injury.

ASSEMBLY

WARNING:

- **Always be sure that the tool is switched off and the battery cartridge is removed before working on the tool.** Failure to switch off and remove the battery cartridge may result in serious personal injury.

Hex wrench storage (Fig. 21)

The hex wrench is stored as shown in the figure.

When the hex wrench is needed it can be pulled out of the wrench holder.

After using the hex wrench it can be stored by returning it to the wrench holder.

Installing or removing saw blade

WARNING:

- **Always be sure that the tool is switched off and the battery cartridge is removed before installing or removing the blade.** Accidental start up of the tool may result in serious personal injury.

CAUTION:

- Use only the Makita hex wrench provided to install or remove the blade. Failure to do so may result in over-tightening or insufficient tightening of the hex socket bolt. This could cause an injury.

Lock the handle in the raised position by pushing in the stopper pin. (Fig. 22)

To remove the blade, use the hex wrench to loosen the hex socket bolt holding the center cover by turning it counterclockwise. Raise the blade guard and center cover. (Fig. 23)

Press the shaft lock to lock the spindle and use the hex wrench to loosen the hex socket bolt clockwise. Then remove the hex socket bolt, outer flange and blade. (Fig. 24)

NOTE:

- If the inner flange is removed be sure to install it on the spindle with its protrusion facing away from the blade. If the flange is installed incorrectly the flange will rub against the machine.

To install the blade, mount it carefully onto the spindle, making sure that the direction of the arrow on the surface of the blade matches the direction of the arrow on the blade case. Install the outer flange and hex socket bolt, and then use the hex wrench to tighten the hex socket bolt (left-handed) securely counterclockwise while pressing the shaft lock.

Return the blade guard and center cover to its original position. Then tighten the hex socket bolt clockwise to secure the center cover. Release the handle from the raised position by pulling the stopper pin. Lower the handle to make sure that the blade guard moves properly. Make sure the shaft lock has released spindle before making cut. (Fig. 25 & 26)

Dust bag (accessory) (Fig. 27)

To attach the fastener, align the top end of the fastener with the triangular mark on the dust bag.

The use of the dust bag makes cutting operations cleaner and dust collection easier. To attach the dust bag, fit it onto the dust nozzle.

When the dust bag is about half full, remove the dust bag from the tool and pull the fastener out. Empty the dust bag of its contents, tapping it lightly so as to remove particles adhering to the insides which might hamper further collection.

NOTE:

- If you connect a vacuum cleaner to your saw, cleaner operations can be performed.

Securing workpiece (Fig. 28)

⚠ WARNING:

- **It is extremely important to always secure the workpiece correctly with the proper type of vise.** Failure to do so may result in serious personal injury and cause damage to the tool and/or the workpiece.
- **After a cutting operation do not raise the blade until it has come to a complete stop.** The raising of a coating blade may result in serious personal injury and damage to the workpiece.
- **When cutting a workpiece that is longer than the support base of the saw, the material should be supported the entire length beyond the support base and at the same height to keep the material level.** Proper workpiece support will help avoid blade pinch and possible kickback which may result in serious personal injury. Do not rely solely on the vertical vise and/or horizontal vise to secure the workpiece. Thin material tends to sag. Support workpiece over its entire length to avoid blade pinch and possible KICKBACK.

Vertical vise (Fig. 29)

The vertical vise can be installed in two positions on either the left or right side of the guide fence or the holder assembly (optional accessory). Insert the vise rod into the hole in the guide fence or the holder assembly and tighten the screw to secure the vise rod.

Position the vise arm according to the thickness and shape of the workpiece and secure the vise arm by tightening the screw. If the screw to secure the vise arm contacts the guide fence, install the screw on the opposite side of vise arm. Make sure that no part of the tool contacts the vise when lowering the handle fully and pulling or pushing the carriage all the way. If some part contacts the vise, re-position the vise.

Press the workpiece flat against the guide fence and the turn base. Position the workpiece at the desired cutting position and secure it firmly by tightening the vise knob.

⚠ WARNING:

- **The workpiece must be secured firmly against the turn base and guide fence with the vise during all operations.** If the workpiece is not properly secured against the fence the material may move during the cutting operation causing possible damage to the blade, causing the material to be thrown and loss of control resulting in serious personal injury.

Horizontal vise (optional accessory) (Fig. 30)

The horizontal vise can be installed on the left side of the base. By turning the vise knob counterclockwise, the screw is released and the vise shaft can be moved rapidly in and out. By turning the vise knob clockwise, the screw remains secured. To grip the workpiece, turn the vise knob gently clockwise until the projection reaches its topmost position, then fasten securely. If the vise knob is forced in or pulled out while being turned clockwise, the projection may stop at an angle. In this case, turn the vise knob back counterclockwise until the screw is released, before turning again gently clockwise.

The maximum width of the workpiece which can be secured by the horizontal vise is 120 mm.

⚠ WARNING:

- **Grip the workpiece only when the projection is at the topmost position.** Failure to do so may result in insufficient securing of the workpiece. This could cause the workpiece to be thrown, cause damage to the blade or cause the loss of control, which can result in PERSONAL INJURY.

Holders and holder assembly (optional accessories) (Fig. 31 & 32)

The holders and the holder assembly can be installed on either side as a convenient means of supporting workpieces horizontally. Install them as shown in the figure. Then tighten the screws firmly to secure the holders and the holder assembly.

When cutting long workpieces, use the holder-rod assembly (optional accessory). It consists of two holder assemblies and two rods 12.

⚠ WARNING:

- **Always support a long workpiece so it is level with the top surface of the turn base for an accurate cut and to prevent dangerous loss of tool control.** Proper workpiece support will help avoid blade pinch and possible kickback which may result in serious personal injury.

OPERATION

NOTICE:

- Before use, be sure to release the handle from the lowered position by pulling the stopper pin.
- Do not apply excessive pressure on the handle when cutting. Too much force may result in overload of the motor and/or decreased cutting efficiency. Push down handle with only as much force as is necessary for smooth cutting and without significant decrease in blade speed.
- Gently press down the handle to perform the cut. If the handle is pressed down with force or if lateral force is applied, the blade will vibrate and leave a mark (saw mark) in the workpiece and the precision of the cut will be impaired.
- During a slide cut, gently push the carriage toward the guide fence without stopping. If the carriage movement is stopped during the cut, a mark will be left in the workpiece and the precision of the cut will be impaired.

⚠ WARNING:

- **Make sure the blade is not contacting the workpiece, etc. before the switch is turned on.** Turning the tool on with the blade in contact with the workpiece may result in kickback and serious personal injury.

1. Press cutting (cutting small workpieces) (Fig. 33)

Workpieces up to 52 mm high and 97 mm wide can be cut in the following manner.

Push the carriage toward the guide fence fully and tighten two clamp screws which secure the slide poles clockwise to secure the carriage. Secure the workpiece with the proper type of vise. Switch on the tool without the blade making any contact and wait until the blade attains full speed before lowering. Then gently lower the handle to the fully lowered position to cut the workpiece. When the cut is completed, switch off the tool and WAIT UNTIL THE BLADE HAS COME TO A COMPLETE STOP before returning the blade to its fully elevated position.

⚠ WARNING:

- **Firmly tighten two clamping screws which secure the slide poles clockwise so that the carriage will not move during operation.** Insufficient tightening of the locking screw may cause possible kickback which may result in serious personal injury.

2. Slide (push) cutting (cutting wide workpieces) (Fig. 34)

Loosen two clamp screws which secure the slide poles counterclockwise so that the carriage can slide freely. Secure the workpiece with the proper type of vise. Pull the carriage toward you fully. Switch on the tool without the blade making any contact and wait until the blade attains full speed. Press down the handle and PUSH THE CARRIAGE TOWARD THE GUIDE FENCE AND THROUGH THE WORKPIECE. When the cut is completed, switch off the tool and WAIT UNTIL THE BLADE HAS COME TO A COMPLETE STOP before returning the blade to its fully elevated position.

⚠ WARNING:

- **Whenever performing a slide cut, first pull the carriage full towards you and press the handle all the way down, then push the carriage toward the guide fence. Never start the cut with the carriage not pulled fully toward you.** If you perform the slide cut without the carriage pulled fully toward you unexpected kickback may occur and serious personal injury may result.
- **Never attempt to perform a slide cut by pulling the carriage towards you.** Pulling the carriage towards you while cutting may cause unexpected kickback resulting in possible serious personal injury.
- Never perform the slide cut with the handle locked in the lowered position.
- **Never loosen the knob which secures the carriage while the blade is rotating.** A loose carriage while cutting may cause unexpected kickback resulting in possible serious personal injury.

3. Miter cutting

Refer to the previously covered "Adjusting the miter angle".

4. Bevel cut (Fig. 35)

Loosen the lever and tilt the saw blade to set the bevel angle (Refer to the previously covered "Adjusting the bevel angle"). Be sure to retighten the lever firmly to secure the selected bevel angle safely. Secure the workpiece with a vise. Make sure the carriage is pulled all the way back toward the operator. Switch on the tool without the blade making any contact and wait until the blade attains full speed. Then gently lower the handle to the fully lowered position while applying pressure in parallel with the blade and PUSH THE CARRIAGE TOWARD THE GUIDE FENCE TO CUT THE WORKPIECE. When the cut is completed, switch off the tool and WAIT UNTIL THE BLADE HAS COME TO A COMPLETE STOP before returning the blade to its fully elevated position.

⚠ WARNING:

- **After setting the blade for a bevel cut, before operating the tool ensure that the carriage and blade will have free travel throughout the entire range of the intended cut.** Interruption of the carriage or blade travel during the cutting operation may result in kickback and serious personal injury.
- **While making a bevel cut keep hands out of the path of the blade.** The angle of the blade may confuse the operator as to the actual blade path while cutting and contact with the blade will result in serious personal injury.
- **The blade should not be raised until it has come to a complete stop.** During a bevel cut the piece cut off may come to rest against the blade. If the blade is raised while it is rotating the cut-off piece maybe ejected by the blade causing the material to fragment which may result in serious personal injury.

NOTICE:

- When pressing down the handle, apply pressure in parallel with the blade. If a force is applied perpendicularly to the turn base or if the pressure direction is changed during a cut, the precision of the cut will be impaired.

⚠ CAUTION:

- (Only for European countries) always set the sub-fence outside when performing left bevel cuts.

5. Compound cutting

Compound cutting is the process in which a bevel angle is made at the same time in which a miter angle is being cut on a workpiece. Compound cutting can be performed at the angle shown in the table.

Miter angle	Bevel angle
Left and Right 45°	Left 0° – 45°
Right 50°	Left 0° – 40°
Right 55°	Left 0° – 30°
Right 57°	Left 0° – 25°

006393

Measuring

Measure the wall length and adjust workpiece on table to cut wall contact edge to desired length. Always make sure that cut workpiece length **at the back of the workpiece** is the same as wall length. Adjust cut length for angle of cut. Always use several pieces for test cuts to check the saw angles.

When cutting crown and cove moldings, set the bevel angle and miter angle as indicated in the table (A) and position the moldings on the top surface of the saw base as indicated in the table (B).

In the case of left bevel cut

Table (A)

	Molding position in Fig. 37 & 38	Bevel angle		Miter angle	
		52/38° type	45° type	52/38° type	45° type
For inside corner	(1)	Left 33.9°	Left 30°	Right 31.6°	Right 35.3°
	(2)			Left 31.6°	Left 35.3°
For outside corner	(3)			Right 31.6°	Right 35.3°
	(4)				

006361

Table (B)

	Molding position in Fig. 37 & 38	Molding edge against guide fence	Finished piece
For inside corner	(1)	Ceiling contact edge should be against guide fence.	Finished piece will be on the Left side of blade.
	(2)	Wall contact edge should be against guide fence.	
For outside corner	(3)		Finished piece will be on the Right side of blade.
	(4)	Ceiling contact edge should be against guide fence.	

006362

Example:

In the case of cutting 52/38° type crown molding for position (1) in **Fig. 37 & 38**:

- Tilt and secure bevel angle setting to 33.9° LEFT.
- Adjust and secure miter angle setting to 31.6° RIGHT.
- Lay crown molding with its broad back (hidden) surface down on the turn base with its CEILING CONTACT EDGE against the guide fence on the saw.
- The finished piece to be used will always be on the LEFT side of the blade after the cut has been made.

When performing compound cutting, refer to “Press cutting”, “Slide cutting”, “Miter cutting” and “Bevel cut” explanations.

6. Cutting crown and cove moldings

Crown and cove moldings can be cut on a compound miter saw with the moldings laid flat on the turn base.

There are two common types of crown moldings and one type of cove moldings; 52/38° wall angle crown molding, 45° wall angle crown molding and 45° wall angle cove molding. See illustrations. (**Fig. 36**)

There are crown and cove molding joints which are made to fit “Inside” 90° corners ((1) and (2) in **Fig. 37 & 38**) and “Outside” 90° corners ((3) and (4) in **Fig. 37 & 38**).

In the case of right bevel cut

Table (A)

	Molding position in Fig. 37 & 38	Bevel angle		Miter angle	
		52/38° type	45° type	52/38° type	45° type
For inside corner	(1)	Right 33.9°	Right 30°	Right 31.6°	Right 35.3°
	(2)			Left 31.6°	Left 35.3°
For outside corner	(3)			Right 31.6°	Right 35.3°
	(4)				

006363

Table (B)

	Molding position in Fig. 37 & 38	Molding edge against guide fence	Finished piece
For inside corner	(1)	Wall contact edge should be against guide fence.	Finished piece will be on the Right side of blade.
	(2)	Ceiling contact edge should be against guide fence.	
For outside corner	(3)	Wall contact edge should be against guide fence.	Finished piece will be on the Left side of blade.
	(4)		

006364

Example:

In the case of cutting 52/38° type crown molding for position (1) in **Fig. 37 & 38**:

- Tilt and secure bevel angle setting to 33.9° RIGHT.
- Adjust and secure miter angle setting to 31.6° RIGHT.
- Lay crown molding with its broad back (hidden) surface down on the turn base with its WALL CONTACT EDGE against the guide fence on the saw.
- The finished piece to be used will always be on the RIGHT side of the blade after the cut has been made.

7. Wood facing (Fig. 39)

Use of wood facing helps to assure splinter-free cuts in workpieces. Attach a wood facing to the guide fence using the holes in the guide fence.

See the figure concerning the dimensions for a suggested wood facing.

⚠ CAUTION:

- Use the straight wood of even thickness as the wood facing.

⚠ WARNING:

- **Use screws to attach the wood facing to the guide fence. The screws should be installed so that the screw heads are below the surface of the wood facing so that they will not interfere with the positioning of the material being cut.** Misalignment of the material being cut can cause unexpected movement during the cutting operation which may result in a loss of control and serious personal injury.

NOTICE:

- When the wood facing is attached, do not turn the turn base with the handle lowered. The blade and/or the wood facing will be damaged.

8. Cutting repetitive lengths (Fig. 40)

When cutting several pieces of stock to the same length, ranging from 220 mm to 385 mm, use of the set plate (optional accessory) will facilitate more efficient operation. Install the set plate on the holder (optional accessory) as shown in the figure.

Align the cutting line on your workpiece with either the left or right side of the groove in the kerf board, and while holding the workpiece from moving, move the set plate flush against the end of the workpiece. Then secure the set plate with the screw. When the set plate is not used, loosen the screw and turn the set plate out of the way.

NOTE:

- Use of the holder-rod assembly (optional accessory) allows cutting repetitive lengths up to 2,200 mm approximately.

9. Groove cutting (Fig. 41)

A dado type cut can be made by proceeding as follows: Adjust the lower limit position of the blade using the adjusting screw and the stopper arm to limit the cutting depth of the blade. Refer to "Stopper arm" section described on previously.

After adjusting the lower limit position of the blade, cut parallel grooves across the width of the workpiece using a slide (push) cut as shown in the figure. Then remove the workpiece material between the grooves with a chisel.

WARNING:

- **Do not attempt to perform this type of cut by using a wider type blade or dado blade.** Attempting to make a groove cut with a wider blade or dado blade could lead to unexpected cutting results and kickback which may result in serious personal injury.
- **Be sure to return the stopper arm to the original position when performing other than groove cutting.** Attempting to make cuts with the stopper arm in the incorrect position could lead to unexpected cutting results and kickback which may result in serious personal injury.

Carrying tool (Fig. 42 & 43)

Make sure that the battery cartridge is removed. Secure the blade at 0° bevel angle and the turn base at the full right miter angle position. Secure the slide poles so that the lower slide pole is locked in the position of the carriage fully pulled to operator and the upper poles are locked in the position of the carriage fully pushed forward to the guide fence. Lower the handle fully and lock it in the lowered position by pushing in the stopper pin. Carry the tool by holding both sides of the tool base as shown in the figure. If you remove the holders, dust bag, etc., you can carry the tool more easily.

CAUTION:

- Always secure all moving portions before carrying the tool. If portions of the tool move or slide while being carried loss of control or balance may occur resulting in personal injury.

WARNING:

- **Stopper pin is only for carrying and storage purposes and should never be used for any cutting operations.** The use of the stopper pin for cutting operations may cause unexpected movement of the saw blade resulting in kickback and serious personal injury.

MAINTENANCE

CAUTION:

- Always be sure that the tool is switched off and the battery cartridge is removed before attempting to perform inspection or maintenance.

WARNING:

- **Always be sure that the blade is sharp and clean for the best and safest performance.** Attempting a cut with a dull and/or dirty blade may cause kickback and result in a serious personal injury.

NOTICE:

- Never use gasoline, benzene, thinner, alcohol or the like. Discoloration, deformation or cracks may result.

Adjusting the cutting angle

This tool is carefully adjusted and aligned at the factory, but rough handling may have affected the alignment. If your tool is not aligned properly, perform the following:

1. Miter angle

Push the carriage toward the guide fence and tighten two clamp screws to secure the carriage.

Loosen the grip which secures the turn base. Turn the turn base so that the pointer points to 0° on the miter scale. Then turn the turn base slightly clockwise and counterclockwise to seat the turn base in the 0° miter notch. (Leave as it is if the pointer does not point to 0°.) Loosen the hex socket bolt securing the guide fence using the hex wrench. **(Fig. 44)**

Lower the handle fully and lock it in the lowered position by pushing in the stopper pin. Square the side of the blade with the face of the guide fence using a triangular rule, try-square, etc. Then securely tighten the hex socket bolt on the guide fence in order starting from the right side. **(Fig. 45)**

Make sure that the pointer points to 0° on the miter scale. If the pointer does not point to 0°, loosen the screw which secures the pointer and adjust the pointer so that it will point to 0°. **(Fig. 46)**

2. Bevel angle

1. 0° bevel angle

Push the carriage toward the guide fence and tighten two clamp screws to secure the carriage. Lower the handle fully and lock it in the lowered position by pushing in the stopper pin.

Loosen the lever at the rear of the tool.

Turn the 0° bevel angle adjusting bolt (lower bolt) on the right side of the arm two or three revolutions counterclockwise to tilt the blade to the right.

(Fig. 47)

Carefully square the side of the blade with the top surface of the turn base using the triangular rule, try-square, etc. by turning the 0° bevel angle adjusting bolt clockwise. Then tighten the lever securely. **(Fig. 48)**

Make sure that the pointer on the arm point to 0° on the bevel scale on the arm holder. If it does not point to 0°, loosen the screw which secures the pointer and adjust the pointer so that it will point to 0°. **(Fig. 49)**

2. 45° bevel angle

Adjust the 45° bevel angle only after performing 0° bevel angle adjustment. To adjust left 45° bevel angle, loosen the lever and tilt the blade to the left fully. Make sure that the pointer on the arm points to 45° on the bevel scale on the arm holder. If the pointer does not point to 45°, turn the 45° bevel angle adjusting bolt (upper bolt) on the right side of the arm until the pointer points to 45°. **(Fig. 50)**

Replacing carbon brushes (Fig. 51 & 52)

Remove and check the carbon brushes regularly. Replace when they wear down to the limit mark. Keep the carbon brushes clean and free to slip in the holders. Both carbon brushes should be replaced at the same time. Use only identical carbon brushes.

Use a screwdriver to remove the brush holder caps. Take out the worn carbon brushes, insert the new ones and secure the brush holder caps.

After use

- After use, wipe off chips and dust adhering to the tool with a cloth or the like. Keep the blade guard clean according to the directions in the previously covered section titled "Blade guard". Lubricate the sliding portions with machine oil to prevent rust.
- When storing the tool, pull the carriage toward you fully so that the slide pole is thoroughly inserted into the turn base.

To maintain product SAFETY and RELIABILITY, repairs, any other maintenance or adjustment should be performed by Makita Authorized Service Centers, always using Makita replacement parts.

OPTIONAL ACCESSORIES

WARNING:

- These Makita accessories or attachments are recommended for use with your Makita tool specified in this manual. The use of any other accessories or attachments may result in serious personal injury.
- Only use the Makita accessory or attachment for its stated purpose. Misuse of an accessory or attachment may result in serious personal injury.

If you need any assistance for more details regarding these accessories, ask your local Makita Service Center.

- Carbide-tipped saw blades
- Vise assembly (Horizontal vise)
- Vertical vise
- Holder set
- Holder assembly
- Holder rod assembly
- Set plate
- Dust bag
- Triangular rule
- Hex wrench
- Various type of Makita genuine batteries and chargers

NOTE:

- Some items in the list may be included in the tool package as standard accessories. They may differ from country to country.

ENG905-1

Noise

The typical A-weighted noise level determined according to EN61029:

Sound pressure level (L_{pA}): 88 dB (A)
 Sound power level (L_{WA}): 98 dB (A)
 Uncertainty (K): 3 dB (A)

Wear ear protection

ENG900-1

Vibration

The vibration total value (tri-axial vector sum) determined according to EN61029:

Vibration emission (a_h): 2.5 m/s² or less
 Uncertainty (K): 1.5 m/s²

ENG901-1

- The declared vibration emission value has been measured in accordance with the standard test method and may be used for comparing one tool with another.
- The declared vibration emission value may also be used in a preliminary assessment of exposure.

WARNING:

- The vibration emission during actual use of the power tool can differ from the declared emission value depending on the ways in which the tool is used.
- Be sure to identify safety measures to protect the operator that are based on an estimation of exposure in the actual conditions of use (taking account of all parts of the operating cycle such as the times when the tool is switched off and when it is running idle in addition to the trigger time).

For European countries only

EC Declaration of Conformity

Makita declares that the following Machine(s):

Designation of Machine:
 Cordless Slide Compound Miter Saw
 Model No./ Type: DLS713

Conforms to the following European Directives:

2006/42/EC

They are manufactured in accordance with the following standard or standardized documents:

EN61029

The technical file in accordance with 2006/42/EC is available from:

Makita, Jan-Baptist Vinkstraat 2, 3070, Belgium

30.6.2014



Yasushi Fukaya
 Director

Makita, Jan-Baptist Vinkstraat 2, 3070, Belgium

Descriptif

1 Broche d'arrêt	30 Échelle	58 Ergot
2 Boulon	31 Bras	59 Axe de l'étau
3 Boulon de réglage	32 Vis	60 Socle
4 Partie rouge	33 Gâchette	61 Tige 12
5 Bouton	34 Bouton de sécurité	62 Vis de serrage
6 Batterie	35 Orifice pour cadenas	63 Moulure couronnée du type 52/38°
7 Symbole étoilé	36 Support à clé	64 Moulure couronnée du type 45°
8 Protecteur de lame	37 Clé hexagonale	65 Moulure concave du type 45°
9 Protecteur de lame A	38 Capot central	66 Coin intérieur
10 Protecteur de lame B	39 Clé hexagonale	67 Coin extérieur
11 Vis à oreilles	40 Boulon à tête cylindrique à six pans creux	68 Plus de 15 mm (5/8")
12 Plateau de découpe	41 Capot de sécurité	69 Plus de 420 mm (16-1/2")
13 Lame	42 Blocage de l'arbre	70 Orifices
14 Dents de lame	43 Flèche	71 Plaque de fixation
15 Coupe en biseau sur la gauche	44 Porte-lame	72 Couper des rainures avec la lame
16 Coupe rectiligne	45 Boulon à tête cylindrique à six pans creux (filetage à gauche)	73 Règle triangulaire
17 Guide	46 Flasque extérieur	74 Support du bras
18 Socle rotatif	47 Flasque intérieur	75 Boulon de réglage d'angle de biseau de 0°
19 Face supérieure du plateau tournant	48 Axe	76 Boulon de réglage d'angle de biseau de 45° sur la gauche
20 Périphérie de la lame	49 Sac à poussière	77 Repère d'usure
21 Vis de réglage	50 Raccord à poussières	78 Bouchon de porte-charbon
22 Bras de blocage	51 Agrafe	79 Tournevis
23 Guide inférieur	52 Cale	
24 Index	53 Bras de l'étau	
25 Secteur	54 Tige de l'étau	
26 Levier de verrouillage	55 Servante	
27 Manche	56 Butée	
28 Levier	57 Poignée de l'étau	
29 Bouton de libération		

SPÉCIFICATIONS

Modèle	DLS713
Diamètre de la lame	190 mm
Épaisseur du corps de la lame	1,3 mm – 2,0 mm
Diamètre de l'orifice (alésage)	20 mm
Angle d'onglet max	47° à gauche, 57° à droite
Angle de biseau max	45° à gauche, 5° à droite
Capacités de coupe maximales (Hauteur x Largeur) avec une lame à diamètre de 190 mm.	

Angle d'onglet	Angle de biseau		
	45° (gauche)	0°	5° (droite)
0°	25 mm x 300 mm	52 mm x 300 mm	40 mm x 300 mm
	—	*60 mm x 265 mm (Note 1)	—
45° (gauche et droite)	25 mm x 212 mm	52 mm x 212 mm	—
	—	*60 mm x 185 mm (Note 2)	—
57° (droite)	—	52 mm x 163 mm	—
	—	*60 mm x 145 mm (Note 3)	—

Vitesse à vide (min ⁻¹)	2 200
Dimensions (L x l x H)	655 mm x 430 mm x 454 mm
Poids net	12,7 kg
Tension nominale	CC 18 V

(Note)

* indique l'utilisation d'un parement de bois de l'épaisseur suivante.

- 1 : Avec un parement de bois de 20 mm d'épaisseur.
- 2 : Avec un parement de bois de 15 mm d'épaisseur.
- 3 : Avec un parement de bois de 10 mm d'épaisseur.

- Étant donné l'évolution constante de notre programme de recherche et de développement, les spécifications contenues dans ce manuel sont sujettes à modification sans préavis.
- Les spécifications et la batterie peuvent être différentes suivant les pays.
- Poids, avec la batterie, conformément à la procédure EPTA-01/2003

Utilisations

L'outil est conçu pour effectuer des coupes de bois rectilignes et des coupes d'onglet, avec précision.

ENE076-1

GEA010-1

Consignes de sécurité générales pour outils électriques

⚠ AVERTISSEMENT Veuillez lire toutes les mises en garde et toutes les instructions. Il y a risque de choc électrique, d'incendie et/ou de blessure grave si les mises en garde et les instructions ne sont pas respectées.

Conservez toutes les mises en garde et instructions pour référence ultérieure.

ENB118-4

CONSIGNES DE SÉCURITÉ RELATIVES À LA SCIE À ONGLET SANS FIL

1. Gardez bien les mains à l'écart de la lame. Évitez tout contact avec une lame "en roue libre". Vous pourriez vous blesser gravement.
2. Avant utilisation, assurez-vous que la lame de la scie n'est pas fissurée ni déformée. Remplacez immédiatement une lame endommagée.
3. Remplacez le plateau de découpe quand il est usé.
4. Utilisez uniquement les lames de scie spécifiées par le fabricant et conformes à la norme EN847-1.
5. Ne pas utiliser de lames fabriquées en acier à coupe rapide.
6. Portez une protection oculaire.
7. Portez des protecteurs d'oreilles afin de réduire les risques de perte d'audition.
8. Portez des gants pour manipuler la lame (les lames doivent être transportées dans un étui lorsque possible) et les pièces de matériau rude.
9. Raccordez les scies radiales à un dispositif de ramassage de la poussière quand vous effectuez un sciage.
10. Sélectionnez les lames en fonction du matériau à couper.
11. N'utilisez pas la scie pour couper autre chose que du bois.
12. Avant de transporter l'outil, immobilisez d'abord toutes ses pièces mobiles. Lorsque vous soulevez ou portez l'outil, n'utilisez pas le protecteur comme poignée.
13. N'utilisez jamais la scie sans les protections en place. Vérifiez le bon fonctionnement du protecteur de lame avant chaque utilisation. N'utilisez pas la scie si le protecteur de lame ne se déplace pas librement et ne recouvre pas la lame instantanément. N'immobilisez jamais le protecteur de lame en position ouverte.
14. Le sol doit rester exempt de matériaux en vrac, comme les copeaux et les chutes.
15. Utilisez uniquement des lames de scie sur lesquelles est indiquée une vitesse maximale égale ou supérieure à la vitesse à vide figurant sur l'outil.
16. Lorsque l'outil est équipé d'un laser ou d'une DEL, ne les remplacez pas par un laser ou une DEL de type différent. Ces réparations doivent être effectuées par un centre technique agréé.
17. N'enlevez jamais de la zone de coupe les chutes ou autres parties détachées de la pièce pendant que l'outil fonctionne avec une lame de scie sans protection.
18. Ne sciez jamais à la volée. Le matériau doit être assuré fermement contre le plateau tournant et le guide au moyen de l'étau durant tous les types de sciage. Ne maintenez jamais la pièce avec la main.
19. Assurez-vous que l'outil est stable avant chaque coupe.
20. Fixez l'outil sur un établi si nécessaire.
21. Utilisez des cales supplémentaires adaptées pour soutenir les pièces de grande longueur.
22. Ne coupez jamais de petites pièces qu'il est impossible d'immobiliser avec l'étau. Une pièce mal immobilisée risque d'entraîner des chocs en retour et de provoquer des blessures.
23. Gardez bien les mains à l'écart de la lame.
24. Coupez le contact et attendez l'arrêt de la lame avant de déplacer la pièce ou de modifier les réglages.
25. Débranchez l'outil avant de procéder à un changement de lame ou à une réparation.
26. La broche d'arrêt qui verrouille en position basse la tête de fraisage sert à des fins de transport et de rangement uniquement et pas pour les opérations de coupe.
27. Ne vous servez pas de votre outil en présence de gaz ou de liquides inflammables. L'utilisation de cet outil électrique comporte un risque d'explosion et d'incendie en présence de liquides ou gaz inflammables.
28. N'utilisez que les flasques spécifiés pour cet outil.
29. Prenez garde d'endommager l'alésage, les flasques (tout particulièrement leur surface d'installation) ou le boulon. L'endommagement de ces pièces peut causer une cassure de la lame.
30. Assurez-vous que le plateau tournant est bien immobilisé, afin qu'il ne risque pas de se déplacer pendant le sciage.
31. Pour votre sécurité, retirez copeaux ou autres fragments de la surface du plateau avant la mise en route.
32. Évitez les clous. Avant de travailler votre pièce, inspectez-la et retirez-en tous les clous.
33. Assurez-vous que le blocage de l'arbre est relâché avant de mettre le contact.
34. Assurez-vous que la lame ne touche pas le plateau tournant quand elle est abaissée au maximum.
35. Tenez la poignée fermement. N'oubliez pas que la scie se déplace légèrement de haut en bas au démarrage et à l'arrêt.
36. Assurez-vous que la lame ne touche pas la pièce à scier avant de mettre le contact.

37. Avant de scier la pièce, faites tourner l'outil un instant à vide. Vérifiez que la lame ne présente ni balourd ni shimmy qui pourraient résulter d'un montage incorrect ou d'une usure irrégulière.
38. Avant de scier, attendez que la lame ait atteint sa pleine vitesse.
39. Arrêtez immédiatement le sciage si vous remarquez quoi que ce soit d'anormal.
40. Ne tentez pas de maintenir la gâchette en position ON.
41. Restez vigilant, surtout durant les sciages répétés et monotones. Ne vous laissez jamais prendre par un sentiment trompeur de sécurité. Les lames de scie ne pardonnent pas.
42. N'utilisez que les accessoires recommandés dans ce manuel. L'utilisation d'accessoires différents, disques à tronçonner notamment, peut entraîner une blessure.
43. Faites attention lorsque vous taillez des encoches.
44. Les poussières dégagées lors de l'utilisation de l'outil peuvent contenir certains produits chimiques reconnus comme pouvant causer le cancer, des anomalies congénitales ou autres problèmes de reproduction. Parmi ces produits chimiques figurent notamment :
 - le plomb que contient les matériaux recouverts de peinture à base de plomb ;
 - l'arsenic et le chrome que contient le bois de construction traité chimiquement.
 Les risques encourus varient suivant la fréquence d'exposition qu'implique votre travail. Pour réduire votre degré d'exposition à ces produits chimiques : travaillez dans une aire de travail bien aérée et en utilisant des dispositifs de sécurité approuvés, tels que des masques à poussière spécialement conçus pour filtrer les particules microscopiques.
45. Pour réduire le bruit émis par la lame, assurez-vous toujours qu'elle est bien affûtée et propre.
46. L'utilisateur doit avoir reçu une formation adéquate concernant l'utilisation, le réglage et le fonctionnement de l'outil.
3. Cessez immédiatement l'utilisation si le temps de fonctionnement devient excessivement court. Il y a un risque de surchauffe, de brûlures, voire d'explosion.
4. Si l'électrolyte pénètre dans vos yeux, rincez-les à l'eau claire et consultez immédiatement un médecin. Il y a un risque de perte de la vue.
5. Ne court-circuitez pas la batterie :
 - (1) Ne touchez les bornes avec aucun matériau conducteur.
 - (2) Évitez de ranger la batterie dans un conteneur avec d'autres objets métalliques, par exemple des clous, des pièces de monnaie, etc.
 - (3) N'exposez pas la batterie à l'eau ou à la pluie. Un court-circuit de la batterie pourrait provoquer un fort courant, une surchauffe, parfois des brûlures et même une panne.
6. Ne rangez pas l'outil ou la batterie dans des endroits où la température risque d'atteindre ou de dépasser 50°C.
7. Ne jetez pas la batterie au feu même si elle est sérieusement endommagée ou complètement épuisée. La batterie peut exploser au contact du feu.
8. Prenez garde d'échapper ou de heurter la batterie.
9. N'utilisez pas une batterie abîmée.

CONSERVEZ CES INSTRUCTIONS.

Conseils pour assurer la durée de vie optimale de la batterie

1. Rechargez la batterie avant qu'elle ne soit complètement déchargée. Arrêtez toujours l'outil et rechargez la batterie quand vous remarquez que la puissance de l'outil diminue.
2. Ne rechargez jamais une batterie complètement chargée. La surcharge réduit la durée de service de la batterie.
3. Chargez la batterie alors que la température de la pièce se trouve entre 10°C et 40°C. Avant de charger une batterie chaude, laissez-la refroidir.
4. Chargez la batterie tous les six mois si elle reste inutilisée pendant une période prolongée.

CONSERVEZ CES INSTRUCTIONS.

⚠ AVERTISSEMENT :

NE vous laissez PAS tromper (au fil d'une utilisation répétée) par un sentiment d'aisance et de familiarité avec le produit, en négligeant le respect rigoureux des consignes de sécurité qui accompagnent le produit en question. La MAUVAISE UTILISATION de l'outil ou l'ignorance des consignes de sécurité indiquées dans ce manuel d'instructions peut entraîner une blessure grave.

ENC007-7

PRÉCAUTIONS IMPORTANTES

POUR LA BATTERIE

1. Avant d'utiliser la batterie, lisez toutes les instructions et précautions relatives (1) au chargeur de batterie, (2) à la batterie, et (3) à l'outil utilisant la batterie.
2. Ne démontez pas la batterie.

INSTALLATION

Montage du banc

À sa sortie d'usine, la poignée de cet outil est verrouillée en position abaissée au moyen de la broche d'arrêt. Libérez la broche d'arrêt en appliquant une légère pression vers le bas sur la poignée tout en tirant sur la broche d'arrêt. (Fig. 1)

⚠ AVERTISSEMENT :

- Assurez-vous que l'outil ne bougera pas sur la surface de soutien. Si la scie radiale bouge sur la surface de soutien pendant la coupe, il y a un risque de perte de contrôle et de blessure grave.

Boulonnez l'outil à l'aide de deux boulons sur une surface stable et de niveau, en utilisant les orifices à boulon prévus sur le socle de l'outil. Ceci empêchera tout risque de renversement et de blessure. (Fig. 2)

Tournez le boulon de réglage vers la droite ou la gauche de sorte qu'il entre en contact avec la surface du plancher pour assurer la stabilité de l'outil. (Fig. 3)

DESCRIPTION DU FONCTIONNEMENT

⚠ AVERTISSEMENT :

- **Assurez-vous toujours que l'outil est hors tension et que la batterie est retirée avant de régler ou de vérifier le fonctionnement de l'outil.** Si vous ne mettez pas l'outil hors tension et ne retirez pas la batterie, il y a risque de blessure grave en cas de démarrage accidentel.

Insertion ou retrait de la batterie (Fig. 4)

- Mettez toujours l'outil hors tension avant d'insérer ou de retirer la batterie.
- Pour retirer la batterie, faites-la sortir de l'outil tout en faisant glisser le bouton à l'avant de la batterie.
- Pour insérer la batterie, alignez sa languette sur la rainure du carter et faites glisser la batterie pour la mettre en place. Vous devez l'insérer à fond, jusqu'à ce qu'elle se verrouille avec un léger bruit sec. Si la partie rouge sur le dessus du bouton est visible, cela signifie que la batterie n'est pas bien verrouillée. Insérez-la à fond jusqu'à ce que la partie rouge ne soit plus visible. Autrement elle risquera de blesser quelqu'un en tombant accidentellement de l'outil.
- Ne forcez pas pour insérer la batterie. Si elle ne glisse pas facilement, c'est que vous ne l'insérez pas correctement.

Dispositif de protection de la batterie (batterie au lithium-ion avec marque étoilée) (Fig. 5)

Les batteries au lithium-ion avec une marque étoilée sont dotées d'un dispositif de protection. Ce dispositif coupe automatiquement l'alimentation de l'outil pour prolonger la durée de service de la batterie.

Si l'outil et/ou la batterie se trouve dans l'une ou l'autre des situations suivantes, l'outil cessera automatiquement de fonctionner.

- **Surchargé :**
L'outil est utilisé de manière telle qu'il consomme un courant anormalement élevé.
Il faut alors libérer la gâchette de l'outil et cesser l'application qui cause la surcharge. Tirez ensuite de nouveau sur la gâchette pour redémarrer.
Si l'outil ne démarre pas, cela signifie que la batterie est trop chaude. Il faut alors laisser refroidir la batterie avant de tirer de nouveau sur la gâchette.
- **Faible tension de la batterie :**
La charge restante de la batterie étant trop faible, l'outil ne fonctionne pas. Il faut alors retirer la batterie et la recharger.

Protecteur de lame

Pour tous les pays à l'exception de l'Europe (Fig. 6)

Le protecteur de lame s'élève automatiquement lorsque vous abaissez le bras. Le protecteur étant équipé d'un ressort de rappel, il revient à sa position d'origine une fois la coupe terminée et le bras relevé.

⚠ AVERTISSEMENT :

- **Ne jamais modifier ou retirer le protecteur de lame ou son ressort.** Une lame exposée suite à la modification du protecteur peut entraîner une blessure grave lors de l'utilisation.

Pour votre propre sécurité, maintenez toujours le protecteur de lame en bonne condition. Tout fonctionnement irrégulier du protecteur de lame doit être corrigé immédiatement. Vérifiez que le mécanisme de rappel du protecteur fonctionne correctement.

⚠ AVERTISSEMENT :

- **Ne jamais utiliser l'outil si le protecteur de lame ou le ressort est endommagé, défectueux ou retiré.** L'utilisation de l'outil avec un protecteur endommagé, défectueux ou retiré peut entraîner une blessure grave.

Pour l'Europe (Fig. 7)

Le protecteur de lame A s'élève automatiquement lorsque vous abaissez le bras. Le protecteur de lame B s'élève au contact de la pièce à travailler. Les protecteurs étant équipés d'un ressort de rappel, ils reviennent à leur position d'origine une fois la coupe terminée et le bras relevé.

⚠ AVERTISSEMENT :

- **Ne jamais modifier ou retirer le protecteur de lame ou son ressort.** Une lame exposée suite à la modification du protecteur peut entraîner une blessure grave lors de l'utilisation.

Pour votre propre sécurité, maintenez toujours chaque protecteur de lame en bonne condition. Tout fonctionnement irrégulier des protecteurs de lame doit être corrigé immédiatement. Vérifiez que le mécanisme de rappel des protecteurs fonctionne correctement.

⚠ AVERTISSEMENT :

- **Ne jamais utiliser l'outil si le protecteur de lame ou le ressort est endommagé, défectueux ou retiré.** L'utilisation de l'outil avec un protecteur endommagé, défectueux ou retiré peut entraîner une blessure grave.

Si le protecteur de lame transparent devient sale ou si la sciure de bois y adhère au point que la lame ou la pièce à travailler ne soit plus bien visible, retirez la batterie et nettoyez soigneusement le protecteur avec un chiffon humide.

N'utilisez aucun solvant ou nettoyant à base de pétrole sur le protecteur de plastique, car cela risquerait de l'abîmer.

Si le protecteur de lame est sale et doit être nettoyé pour assurer un fonctionnement adéquat, suivez les étapes ci-dessous :

Après avoir mis l'outil hors tension et avoir retiré la batterie, utilisez la clé hexagonale fournie pour desserrer le boulon à tête cylindrique à six pans creux qui retient le capot central. Desserrez le boulon à tête cylindrique à six pans creux en le faisant tourner vers la gauche, puis soulevez le protecteur de lame et le capot central. (Fig. 8)

Le nettoyage du protecteur de lame peut être effectué de manière plus complète et efficace lorsqu'il se trouve dans cette position. Une fois le nettoyage terminé, effectuez la procédure ci-dessus en sens inverse et fixez le boulon. Ne retirez pas le ressort du protecteur de lame. Si le protecteur se détériore avec le temps ou sous l'effet des rayons ultraviolets, contactez un Centre d'Entretien Makita pour vous procurer un nouveau protecteur.

NE PAS MODIFIER OU RETIRER LE PROTECTEUR.

Positionnement des plateaux de découpe (Fig. 9 et 10)

Le socle rotatif de cet outil est équipé de plateaux de découpe pour minimiser la déchirure du côté de sortie de la coupe. Les plateaux de découpe sont réglés en usine de sorte qu'ils n'entrent pas en contact avec la lame.

Avant l'utilisation, ajustez les plateaux de découpe comme suit :

Retirez d'abord la batterie. Desserrez toutes les vis qui retiennent les plateaux de découpe (2 à droite et 2 à gauche). Ne les resserrez que partiellement, de sorte qu'il soit facile de déplacer manuellement les plateaux de découpe. Abaissez complètement la poignée et enfoncez la broche d'arrêt pour verrouiller la poignée en position abaissée. Desserrez les deux vis de serrage qui retiennent les tiges de glissement. Tirez complètement le chariot vers vous. Ajustez les plateaux de découpe de sorte qu'ils touchent très légèrement les côtés des dents de la lame. Serrez légèrement les vis à l'avant. Poussez complètement le chariot vers le guide et ajustez les plateaux de découpe de sorte qu'ils touchent très légèrement les côtés des dents de la lame. Serrez légèrement les vis à l'arrière.

Après avoir ajusté les plateaux de découpe, dégagez la broche d'arrêt et levez la poignée. Serrez ensuite toutes les vis fermement.

REMARQUE :

- **Après avoir réglé l'angle de coupe en biseau, assurez-vous que les plateaux de découpe sont bien ajustés.** Des plateaux de découpe bien ajustés contribuent au soutien adéquat de la pièce et réduisent l'effet d'arrachement sur la pièce.

Maintien de la capacité de coupe maximale

(Fig. 11 et 12)

Cet outil est réglé en usine pour offrir une capacité de coupe maximale avec une lame de 190 mm.

Retirez la batterie avant d'effectuer tout réglage. Lorsque vous installez une nouvelle lame, vérifiez toujours la position limite inférieure de la lame, et réglez-la comme suit si nécessaire :

Retirez d'abord la batterie. Poussez le chariot à fond vers le guide et abaissez complètement la poignée. Utilisez la clé hexagonale pour tourner le boulon de réglage jusqu'à ce que la périphérie de la lame se trouve légèrement sous la face supérieure du socle rotatif, au point de rencontre entre la face avant du guide et la face supérieure du socle rotatif.

Une fois la batterie retirée, faites tourner la lame manuellement en maintenant la poignée en position complètement abaissée, afin d'être certain que la lame n'entre en contact avec aucune partie du plateau inférieur. Au besoin, effectuez un léger réajustement.

⚠ AVERTISSEMENT :

- **Après avoir installé une nouvelle lame et avoir retiré la batterie, assurez-vous toujours que la lame ne touche aucune partie du plateau inférieur lorsque la poignée est complètement abaissée.** Si la lame entre en contact avec le plateau, elle risquera de causer un choc en retour et d'entraîner une blessure grave.

Bras de blocage (Fig. 13)

Le bras de blocage permet de régler facilement la position limite inférieure de la lame. Pour l'ajuster, déplacez le bras de blocage dans le sens de la flèche, tel qu'indiqué sur l'illustration. Ajustez la vis de réglage de sorte que la lame s'arrête à la position désirée lorsque la poignée est complètement abaissée.

Guide inférieur (pour l'Europe uniquement)

(Fig. 14)

Cet outil est équipé d'un guide inférieur. Le guide inférieur est habituellement orienté vers l'intérieur. Tournez-le cependant vers l'extérieur pour les coupes en biseau à gauche.

⚠ ATTENTION :

- Tournez le guide inférieur vers l'extérieur pour les coupes en biseau à gauche. Sinon, il entrera en contact avec la lame ou une autre partie de l'outil, et risque d'entraîner des blessures graves pour l'opérateur.

Réglage de l'angle de coupe d'onglet (Fig. 15)

Desserrez le manche en le tournant vers la gauche. Faites tourner le socle rotatif tout en abaissant le levier de verrouillage. Lorsque le manche est arrivé au point où l'index indique la valeur angulaire désirée sur le secteur, serrez le manche à fond en le tournant vers la droite.

⚠ ATTENTION :

- Après avoir modifié l'angle de coupe d'onglet, fixez toujours le socle rotatif en serrant le manche à fond.

REMARQUE :

- Lorsque vous tournez le socle rotatif, veillez à bien relever la poignée à fond.

Réglage de l'angle de coupe en biseau

(Fig. 16 et 17)

Pour ajuster l'angle de coupe en biseau, desserrez le levier à l'arrière de l'outil en le tournant vers la gauche.

Poussez la poignée vers la gauche pour incliner la lame jusqu'à ce que l'index indique la valeur angulaire désirée sur l'échelle. Serrez ensuite le levier à fond en le tournant vers la droite pour fixer le bras.

Pour incliner la lame vers la droite, appuyez sur le bouton de libération à l'arrière de l'outil tout en inclinant la lame légèrement vers la gauche après avoir desserré le levier. En maintenant le bouton de libération enfoncé, inclinez la lame vers la droite.

⚠ ATTENTION :

- Après avoir modifié l'angle de coupe en biseau, fixez toujours le bras en serrant le levier vers la droite.

REMARQUE :

- Quand vous inclinez la lame, assurez-vous que la poignée est complètement relevée.
- Lorsque vous modifiez l'angle de coupe en biseau, vous devez placer les plateaux de découpe en position adéquate, tel que décrit dans la section "Positionnement des plateaux de découpe".

Réglage de la position du levier (Fig. 18)

Si le levier n'assure pas un serrage parfait, vous pouvez l'installer sur l'une ou l'autre des positions de serrage distantes de 30°.

Desserrez et retirez la vis qui retient le levier à l'arrière de l'outil. Retirez le levier et réinstallez-le de sorte qu'il soit légèrement au-dessus du niveau. Serrez le levier fermement avec la vis.

Interrupteur

Pour l'Europe (Fig. 19)

Pour éviter tout déclenchement accidentel de la gâchette, l'outil est muni d'un bouton de sécurité. Pour faire démarrer l'outil, poussez le levier vers le haut, enfoncez le bouton de sécurité puis appuyez sur la gâchette. Pour l'arrêter, relâchez la gâchette.

AVERTISSEMENT :

- **Avant d'insérer la batterie dans l'outil, assurez-vous toujours que la gâchette fonctionne bien et revient en position d'arrêt lorsque relâchée. Évitez de tirer sur la gâchette avec force lorsque le bouton de sécurité n'est pas enfoncé. Vous risqueriez de briser la gâchette.** L'utilisation d'un outil dont la gâchette est défectueuse comporte un risque de perte de contrôle et de blessure grave.

Un orifice a été prévu sur la gâchette, ce qui permet de verrouiller l'outil avec un cadenas.

Pour tous les pays à l'exception de l'Europe (Fig. 20)

Pour éviter tout déclenchement accidentel de la gâchette, l'outil est muni d'un bouton de sécurité. Pour faire démarrer l'outil, enfoncez le bouton de sécurité puis appuyez sur la gâchette. Pour l'arrêter, relâchez la gâchette.

AVERTISSEMENT :

- **Avant d'insérer la batterie dans l'outil, assurez-vous toujours que la gâchette fonctionne bien et revient en position d'arrêt lorsque relâchée. Évitez de tirer sur la gâchette avec force lorsque le bouton de sécurité n'est pas enfoncé. Vous risqueriez de briser la gâchette.** L'utilisation d'un outil dont la gâchette est défectueuse comporte un risque de perte de contrôle et de blessure grave.

Un orifice a été prévu sur la gâchette, ce qui permet de verrouiller l'outil avec un cadenas.

AVERTISSEMENT :

- **N'utilisez pas un cadenas dont la tige ou le câble a un diamètre inférieur à 6,35 mm (1/4").** Une tige ou un câble plus mince risquerait de ne pas verrouiller correctement l'outil en position d'arrêt, ce qui comporte un risque d'activation accidentelle pouvant entraîner une blessure grave.
- **NE JAMAIS utiliser un outil dont le fonctionnement de la gâchette est défectueux.** Tout outil dont la gâchette est défectueuse est **EXTRÊMEMENT DANGEREUX** et doit être réparé avant toute nouvelle utilisation, autrement il y a risque de blessure grave.
- Pour assurer votre sécurité, cet outil est équipé d'un bouton de sécurité qui empêche de faire démarrer l'outil par inadvertance. **NE JAMAIS** utiliser l'outil s'il se met en marche lorsque vous tirez simplement sur la gâchette sans avoir appuyé sur le bouton de sécurité. Une gâchette non réparée comporte un risque d'activation accidentelle pouvant entraîner une blessure grave. Retournez alors l'outil à un Centre d'Entretien Makita pour le faire réparer **AVANT** de poursuivre l'utilisation.
- **NE JAMAIS** bloquer le bouton de sécurité avec du ruban ou de toute autre manière. Une gâchette dont le bouton de sécurité est bloqué comporte un risque d'activation accidentelle pouvant entraîner une blessure grave.

ASSEMBLAGE

AVERTISSEMENT :

- **Assurez-vous toujours que l'outil est hors tension et que sa batterie est retirée avant de travailler dessus.** Il y a risque de blessure grave si l'outil n'est pas mis hors tension et que la batterie n'est pas retirée.

Rangement de la clé hexagonale (Fig. 21)

Le rangement de la clé hexagonale s'effectue de la façon indiquée sur la figure.

Lorsque vous avez besoin de la clé hexagonale, vous pouvez la retirer du support à clé.

Après l'utilisation de la clé hexagonale, vous pouvez la ranger en la remettant dans le support à clé.

Avance et dépose de la lame

AVERTISSEMENT :

- **Assurez-vous toujours que l'outil est hors tension et que la batterie est retirée avant de poser ou de retirer la lame.** Le démarrage accidentel de l'outil peut entraîner une blessure grave.

ATTENTION :

- Utilisez exclusivement la clé hexagonale Makita fournie pour installer ou retirer la lame. Sinon, le boulon à tête cylindrique à six pans creux risque d'être trop ou pas assez serré. Cela peut entraîner une blessure.

Verrouillez la poignée en position élevée en y poussant la broche d'arrêt. (Fig. 22)

Pour retirer la lame, desserrez le boulon à tête cylindrique à six pans creux de fixation du capot central à l'aide de la clé hexagonale, en tournant vers la gauche. Soulevez le protecteur de lame et le capot central. (Fig. 23)

Appuyez sur le blocage de l'arbre pour verrouiller l'axe et desserrez le boulon à tête cylindrique à six pans creux à l'aide de la clé hexagonale, en tournant vers la droite. Retirez ensuite le boulon à tête cylindrique à six pans creux, le flasque extérieur et la lame. (Fig. 24)

NOTE :

- Si le flasque intérieur a été retiré, vous devez le poser sur l'axe avec la partie saillante orientée du côté opposé à la lame. Si le flasque n'est pas posé correctement, il frotera contre l'outil.

Pour installer la lame, montez-la soigneusement sur l'axe en vous assurant que le sens indiqué par la flèche sur la surface de la lame correspond à celui de la flèche du porte-lame. Installez le flasque extérieur et le boulon à tête cylindrique à six pans creux, puis, à l'aide de la clé hexagonale, serrez à fond le boulon à tête cylindrique à six pans creux (filetage à gauche), en tournant vers la gauche, tout en appuyant sur le blocage de l'arbre.

Remettez le protecteur de lame et le capot central en position initiale. Vissez ensuite le boulon à tête cylindrique à six pans creux en le tournant vers la droite pour fixer le capot central. Tirez sur la broche d'arrêt pour dégager la poignée de la position élevée. Abaissez la poignée pour vous assurer que le protecteur de lame se déplace adéquatement. Avant de passer à la coupe, vérifiez que le blocage de l'arbre n'est pas engagé sur l'axe. (Fig. 25 et 26)

Sac à poussière (accessoire) (Fig. 27)

Pour poser l'agrafe, alignez son extrémité supérieure sur le symbole triangulaire du sac à poussière.

L'utilisation du sac à poussière permet d'effectuer un travail de coupe plus propre et facilite la collecte des poussières. Pour fixer le sac à poussière, insérez-le dans le raccord à poussières.

Lorsque le sac à poussière est environ à moitié plein, retirez-le de l'outil et tirez la fermeture. Videz le sac à poussière en le tapant légèrement pour retirer les particules qui adhèrent à sa surface intérieure et risqueraient de faire obstacle à la collecte de la poussière par la suite.

NOTE :

- Vous pourrez effectuer un travail plus propre si vous raccordez un aspirateur à votre scie.

Immobilisation de la pièce (Fig. 28)

⚠ AVERTISSEMENT :

- **Il est très important de toujours immobiliser fermement la pièce à travailler au moyen d'un étau d'un type adéquat.** Autrement il y a risque de blessure grave et vous risquez d'abîmer l'outil et/ou la pièce à travailler.
- **Après la coupe, ne soulevez la lame qu'une fois celle-ci parfaitement arrêtée.** Il y a risque de blessure grave et vous risquez d'abîmer la pièce si vous soulevez la lame alors qu'elle tourne encore.
- **Lorsque vous coupez une pièce plus longue que la base du support de la scie, la pièce doit être soutenue au même niveau sur toute sa longueur.** Une pièce bien soutenue réduira les risques de coincements de la lame et de chocs en retour, qui peuvent entraîner une blessure grave. Ne vous fiez pas uniquement à un étau vertical et/ou un étau horizontal pour immobiliser la pièce. Les matériaux minces ont tendance à s'affaisser. Supportez la pièce sur toute sa longueur, pour éviter que la lame ne se coince et provoque un éventuel CHOC EN RETOUR.

Étau vertical (Fig. 29)

Vous pouvez installer l'étau vertical sur l'une ou l'autre de deux positions, du côté gauche ou droit du guide ou de la butée (accessoire en option). Engagez la tige de l'étau dans l'orifice du guide ou de la butée, et serrez la vis pour fixer la tige de l'étau.

Placez le bras de l'étau en fonction de l'épaisseur et de la forme de la pièce à travailler, et fixez le bras de l'étau en serrant la vis. Si la vis de fixation du bras de l'étau entre en contact avec le guide, installez-la de l'autre côté du bras de l'étau. Assurez-vous qu'aucune partie de l'outil n'entre en contact avec l'étau lorsque vous abaissez complètement la poignée et tirez ou poussez le chariot jusqu'au bout. Si une quelconque partie de l'outil entre en contact avec l'étau, modifiez son emplacement. Appuyez la pièce à plat contre le guide et le socle rotatif. Placez la pièce sur la position de coupe désirée et serrez à fond la poignée de l'étau.

⚠ AVERTISSEMENT :

- **La pièce doit être assurée fermement contre le socle rotatif et le guide avec l'étau durant tous les types de sciage.** Si la pièce à travailler n'est pas bien immobilisée contre le guide, elle risquera de bouger pendant la coupe, ce qui risque d'abîmer la lame, de causer l'éjection de la pièce ou de causer une perte de contrôle pouvant entraîner une blessure grave.

Étau horizontal (accessoire en option) (Fig. 30)

L'étau horizontal peut être installé du côté gauche du socle. Quand vous tournez la poignée de l'étau vers la gauche, la vis se libère et la tige de l'étau peut être déplacée rapidement d'avant en arrière. La vis s'immobilise en tournant la poignée de l'étau vers la droite. Pour serrer la pièce, tournez doucement la poignée de l'étau vers la droite jusqu'à ce que l'ergot atteigne sa position supérieure, puis serrez à fond. Si vous tournez la poignée de l'étau en force ou tirez dessus pendant que vous la tournez vers la droite, vous risquez que l'ergot s'arrête à mi-course. Dans ce cas, ramenez la poignée de l'étau vers la gauche jusqu'à ce que la vis soit libérée, et recommencez en tournant doucement la poignée vers la droite.

L'épaisseur maximale des pièces que permet d'assurer l'étau horizontal est de 120 mm.

⚠ AVERTISSEMENT :

- **Pour bien serrer la pièce il faut que l'ergot se trouve sur sa position la plus élevée.** Faute de cette précaution, la pièce risque de ne pas être suffisamment serrée. Il peut en résulter la projection de la pièce, des dommages à la lame ou une perte de contrôle causant une GRAVE BLESSURE.

Servantes et butée (accessoires en option) (Fig. 31 et 32)

Les servantes et la butée s'installent soit à gauche soit à droite, comme moyen pratique de soutenir les pièces horizontalement. Installez-les de la façon indiquée sur l'illustration. Serrez ensuite les vis fermement pour immobiliser les servantes et la butée.

Pour couper des pièces de grande longueur, utilisez l'ensemble de butées (accessoire en option). Il se compose de deux butées et de deux tiges numéro 12.

⚠ AVERTISSEMENT :

- **Soutenez toujours la pièce à travailler de sorte qu'elle se trouve au même niveau que la surface du socle rotatif pour effectuer une coupe de précision et prévenir la perte de contrôle de l'outil.** Une pièce bien soutenue réduira les risques de coincements de la lame et de chocs en retour, qui peuvent entraîner une blessure grave.

UTILISATION

REMARQUE :

- Avant l'utilisation, assurez-vous d'avoir dégagé la poignée de la position abaissée en tirant sur la broche d'arrêt.
- Pendant la coupe, n'appliquez pas une pression excessive sur la poignée. Vous risqueriez de provoquer une surcharge du moteur et/ou une diminution de la capacité de coupe. Abaissez la poignée en appliquant uniquement la force nécessaire pour obtenir une coupe en douceur sans diminuer de façon significative la vitesse de la lame.
- Abaissez doucement la poignée pour effectuer la coupe. Si vous appuyez trop fort sur la poignée ou appuyez latéralement, la lame vibrera et elle laissera une marque (marque de sciage) sur la pièce ; la précision de coupe sera également affectée.
- Lors d'une coupe en glissière, poussez doucement le chariot vers le guide, sans arrêter. Si le mouvement du chariot est interrompu pendant la coupe, cela laissera une marque sur la pièce et la précision de la coupe sera affectée.

AVERTISSEMENT :

- **Avant de mettre le contact, assurez-vous que la lame ne touche pas la pièce, etc.** Il y a risque de choc en retour et de blessure grave si vous mettez le contact alors que la lame est en contact avec la pièce à travailler.

1. Coupe sous presse (coupe de petites pièces) (Fig. 33)

Vous pouvez couper des pièces pouvant atteindre 52 mm de haut et 97 mm de large, en procédant comme suit.

Poussez le chariot complètement vers le guide, puis serrez vers la droite les deux vis de serrage qui retiennent les tiges de glissement pour fixer le chariot. Immobilisez la pièce à travailler avec un étau du bon type. Mettez l'outil en marche alors que la lame ne touche à rien et attendez qu'elle ait atteint sa pleine vitesse avant de l'abaisser. Abaissez ensuite doucement la poignée au maximum pour couper la pièce. Lorsque la coupe est terminée, coupez le contact de l'outil et ATTENDEZ QUE LA LAME SE SOIT COMPLÈTEMENT ARRÊTÉE avant de ramener la lame en position complètement relevée.

AVERTISSEMENT :

- **En tournant dans le sens des aiguilles d'une montre, serrez fermement les deux vis de serrage qui retiennent les tiges de glissement, de sorte que le chariot ne se déplace pas pendant l'utilisation de l'outil.** Si vous ne serrez pas assez la vis de verrouillage, il y a risque de choc en retour pouvant entraîner une blessure grave.

2. Coupe en glissière (poussée) (coupe de grandes pièces) (Fig. 34)

Desserrez, en tournant vers la gauche, les deux vis de serrage qui retiennent les tiges de glissement, de sorte que le chariot puisse glisser librement. Immobilisez la pièce à travailler avec un étau du bon type. Tirez complètement le chariot vers vous. Mettez l'outil en marche alors que la lame ne touche à rien et attendez qu'elle ait atteint sa pleine vitesse. Abaissez la poignée et PUSSEZ LE CHARIOT VERS LE GUIDE ET TOUT AU LONG DE LA PIÈCE. Lorsque la coupe est terminée, coupez le contact de l'outil et ATTENDEZ QUE LA LAME SE SOIT COMPLÈTEMENT ARRÊTÉE avant de ramener la lame en position complètement relevée.

AVERTISSEMENT :

- **Chaque fois que vous effectuez une coupe en glissière, tirez d'abord le chariot complètement vers vous et abaissez complètement la poignée, puis poussez le chariot vers le guide. Ne commencez jamais la coupe alors que le chariot n'est pas complètement tiré vers vous.** Si vous effectuez une coupe en glissière sans avoir tiré complètement le chariot vers vous, il se peut que la lame effectue un soudain choc en retour pouvant entraîner une blessure grave.
- **N'essayez jamais d'effectuer une coupe en glissière en tirant le chariot vers vous.** Si vous tirez le chariot vers vous pendant la coupe, il se peut que la lame effectue un soudain choc en retour pouvant entraîner une blessure grave.
- N'effectuez jamais une coupe en glissière alors que la poignée a été verrouillée en position abaissée.
- **Ne desserrez jamais la poignée qui retient le chariot alors que la lame tourne.** Si le chariot est mal serré pendant la coupe, il se peut que la lame effectue un soudain choc en retour pouvant entraîner une blessure grave.

3. Coupe d'onglet

Voyez la section précédente "Réglage de l'angle de coupe d'onglet".

4. Coupe en biseau (Fig. 35)

Desserrez le levier et inclinez la lame pour régler l'angle de coupe en biseau (voir la section précédente "Réglage de l'angle de coupe en biseau"). N'oubliez pas de resserrer le levier fermement de façon à bien assurer l'angle de biseau sélectionné. Assurez la pièce avec un étau. Assurez-vous que le chariot est complètement ramené vers vous. Mettez l'outil en marche alors que la lame ne touche à rien et attendez qu'elle ait atteint sa pleine vitesse. Abaissez ensuite doucement la poignée sur la position la plus basse tout en appliquant une pression parallèle à la lame et PUSSEZ LE CHARIOT VERS LE GUIDE POUR COUPER LA PIÈCE. Lorsque la coupe est terminée, coupez le contact de l'outil et ATTENDEZ QUE LA LAME SE SOIT COMPLÈTEMENT ARRÊTÉE avant de ramener la lame en position complètement relevée.

AVERTISSEMENT :

- **Avant d'utiliser l'outil après l'avoir réglé pour une coupe en biseau, assurez-vous que le chariot et la lame pourront se déplacer librement sur toute l'étendue prévue pour la coupe.** L'interruption du chariot ou de la lame en cours de déplacement lors de la coupe peut causer un choc en retour et entraîner une blessure grave.
- **Lors de l'exécution d'une coupe en biseau, gardez les mains hors de la trajectoire de la lame.** L'angle de la lame peut induire l'utilisateur en erreur concernant la véritable trajectoire de la lame pendant la coupe, ce qui comporte un risque de blessure grave au contact de la lame.
- **La lame ne doit être soulevée qu'une fois complètement arrêtée.** Lors d'une coupe en biseau, il se peut que la partie coupée de la pièce vienne s'appuyer contre la lame. Si vous soulevez la lame alors qu'elle tourne encore, la partie coupée de la pièce risquera d'être éjectée par la lame, et ce fragment éjecté peut causer une blessure grave.

REMARQUE :

- A la descente, manœuvrez la poignée selon l'angle donné à la lame. Si vous appuyez perpendiculairement au socle rotatif, ou si la pression change de sens pendant la coupe, la précision de coupe en souffrira.

ATTENTION :

- (Pour l'Europe uniquement) orientez toujours le guide inférieur vers l'extérieur pour les coupes en biseau à gauche.

5. Coupe mixte

La coupe mixte consiste à appliquer un angle de biseau tout en effectuant une coupe d'onglet sur une pièce. La coupe mixte est possible à l'angle indiqué dans le tableau.

Angle d'onglet	Angle de biseau
Gauche et Droite 45°	Gauche 0° – 45°
Droite 50°	Gauche 0° – 40°
Droite 55°	Gauche 0° – 30°
Droite 57°	Gauche 0° – 25°

006393

Pour effectuer une coupe mixte, référez-vous aux explications des sections "Coupe sous presse", "Coupe en glissière", "Coupe d'onglet" et "Coupe en biseau".

6. Coupe de moulures couronnées et concaves

Les moulures couronnées et concaves peuvent être coupées avec une scie radiale combinée, en les déposant à plat sur le socle rotatif.

Il existe deux types communs de moulures couronnées et un type de moulure concave, à savoir : les moulures couronnées pour angles de murs respectifs de 52/38° et 45°, et les moulures concaves pour angle de mur de 45°. Voyez les illustrations. (**Fig. 36**)

Il existe des joints de moulures couronnées et concaves qui s'adaptent aux coins "intérieurs" de 90° ((1) et (2) sur les **Fig. 37 et 38**), et aux coins "extérieurs" de 90° ((3) et (4) sur les **Fig. 37 et 38**).

Mesure

Mesurez la longueur du mur et ajustez la pièce sur l'établi pour couper à la longueur désirée le bord qui entrera en contact avec le mur. Assurez-vous toujours que la longueur de la pièce coupée à l'**arrière de la pièce** correspond à celle du mur. Ajustez la longueur de coupe selon l'angle de coupe. Vérifiez toujours les angles de coupe de la scie en effectuant des tests sur quelques morceaux.

Pour couper des moulures couronnées et concaves, réglez l'angle de coupe en biseau et l'angle de coupe d'onglet tel qu'indiqué dans le tableau (A), et placez les moulures sur la face supérieure du socle de la scie, tel qu'indiqué dans le tableau (B).

Dans le cas d'une coupe en biseau sur la gauche

Tableau (A)

	Position de moulure sur les Fig. 37 et 38	Angle de coupe en biseau		Angle de coupe d'onglet	
		Type 52/38°	Type 45°	Type 52/38°	Type 45°
Pour coin intérieur	(1)	33,9° à gauche	30° à gauche	31,6° à droite	35,3° à droite
	(2)			31,6° à gauche	35,3° à gauche
Pour coin extérieur	(3)			31,6° à droite	35,3° à droite
	(4)				

006361

Tableau (B)

	Position de moulure sur les Fig. 37 et 38	Bord de moulure contre le guide	Partie de la pièce à utiliser
Pour coin intérieur	(1)	Le bord de contact avec le plafond doit être contre le guide.	La partie de la pièce à utiliser sera du côté gauche de la lame.
	(2)	Le bord de contact avec le mur doit être contre le guide.	
Pour coin extérieur	(3)	Le bord de contact avec le plafond doit être contre le guide.	La partie de la pièce à utiliser sera du côté droit de la lame.
	(4)		

006362

Exemple :

Dans le cas d'une coupe de moulure couronnée du type 52/38° pour la position (1) des **Fig. 37 et 38** :

- Réglez l'angle de coupe en biseau et immobilisez-le sur 33,9° vers la GAUCHE.
- Réglez l'angle de coupe d'onglet et immobilisez-le sur 31,6° vers la DROITE.
- Déposez sur le socle rotatif la moulure couronnée, face large (cachée) orientée vers le bas, et en plaçant le BORD DE CONTACT AVEC LE PLAFOND contre le guide de la scie.
- La partie de la pièce à utiliser doit toujours être du côté GAUCHE de la lame une fois la coupe terminée.

Dans le cas d'une coupe en biseau sur la droite

Tableau (A)

	Position de moulure sur les Fig. 37 et 38	Angle de coupe en biseau		Angle de coupe d'onglet	
		Type 52/38°	Type 45°	Type 52/38°	Type 45°
Pour coin intérieur	(1)	33,9° à droite	30° à droite	31,6° à droite	35,3° à droite
	(2)			31,6° à gauche	35,3° à gauche
Pour coin extérieur	(3)				
	(4)				

006363

Tableau (B)

	Position de moulure sur les Fig. 37 et 38	Bord de moulure contre le guide	Partie de la pièce à utiliser
Pour coin intérieur	(1)	Le bord de contact avec le mur doit être contre le guide.	La partie de la pièce à utiliser sera du côté droite de la lame.
	(2)	Le bord de contact avec le plafond doit être contre le guide.	
Pour coin extérieur	(3)		Le bord de contact avec le mur doit être contre le guide.
	(4)		

006364

Exemple :

Dans le cas d'une coupe de moulure couronnée du type 52/38° pour la position (1) des **Fig. 37 et 38** :

- Réglez l'angle de coupe en biseau et immobilisez-le sur 33,9° vers la DROITE.
- Réglez l'angle de coupe d'onglet et immobilisez-le sur 31,6° vers la DROITE.
- Déposez sur le plateau tournant la moulure couronnée, face large (cachée) orientée vers le bas, et en plaçant le BORD DE CONTACT AVEC LE MUR contre le guide de la scie.
- La partie de la pièce à utiliser doit toujours être du côté DROIT de la lame une fois la coupe terminée.

7. Parement de bois (Fig. 39)

L'utilisation de parements de bois permet d'effectuer des coupes sans éclats. Fixez un parement de bois sur le guide en utilisant les orifices du guide.

Pour les dimensions recommandées du parement de bois, voir l'illustration.

⚠ ATTENTION :

- Comme parement de bois, utilisez un morceau de bois droit d'épaisseur régulière.

⚠ AVERTISSEMENT :

- **Utilisez des vis pour fixer le parement de bois au guide. Les vis doivent être posées de sorte que leur tête se trouvent sous la surface du bois, afin qu'elles ne gênent pas la mise en place de la pièce à couper.** Si la pièce à couper est mal alignée, elle risquera d'effectuer un déplacement inattendu pendant la coupe, ce qui peut causer une perte de contrôle et une blessure grave.

REMARQUE :

- Une fois le parement de bois fixé, ne tournez pas le socle rotatif avec le bras abaissé. Vous risqueriez d'endommager la lame et/ou le parement de bois.

8. Coupes répétées de longueur identique (Fig. 40)

Pour couper plusieurs morceaux de matériau à la même longueur, qui peut être comprise entre 220 mm et 385 mm, utilisez la plaque de fixation (accessoire en option) pour faciliter et rationaliser le travail. Installez la plaque de fixation sur sa servante (accessoire en option), de la façon indiquée sur l'illustration.

Alignez la ligne de coupe de la pièce sur le côté gauche ou droit de la rainure du plateau de découpe tout en tenant immobilisant fermement la pièce, et placez la plaque de fixation contre l'extrémité de la pièce. Fixez ensuite la plaque de fixation avec la vis. Quand vous ne vous servez pas de la plaque de fixation, desserrez la vis et tournez la plaque de fixation pour la dégager.

NOTE :

- L'utilisation de l'ensemble de butées et tiges (accessoire en option) permet des coupes répétées d'une longueur identique pouvant aller jusqu'à environ 2 200 mm.

9. Rainurage (Fig. 41)

Des rainures peuvent être effectuées en procédant comme suit :

Ajustez la position limite inférieure de la lame au moyen de la vis de réglage et du bras de blocage pour limiter la profondeur de coupe de la lame. Référez-vous à la section "Bras de blocage" ci-dessus.

Après avoir ajusté la position limite inférieure de la lame, coupez des rainures parallèles sur la largeur de la pièce, en procédant par coupe en glissière (poussée), tel qu'indiqué sur l'illustration. Retirez ensuite le matériau de la pièce entre les rainures, au moyen d'un ciseau.

⚠ AVERTISSEMENT :

- **Ne tentez pas d'effectuer ce type de coupe au moyen d'une lame plus large ou d'une lame à rainurer.** La coupe risque de donner des résultats décevants si vous tentez d'effectuer le rainurage avec une lame plus large ou une lame à rainurer, et il y a risque de choc en retour pouvant causer une blessure grave.
- **Assurez-vous d'avoir remis le bras de blocage en position initiale avant d'effectuer un autre type de coupe que le rainurage.** La coupe risque de donner des résultats décevants si vous tentez de l'effectuer avec le bras de blocage en position incorrecte, et il y a risque de choc en retour pouvant causer une blessure grave.

Transport de l'outil (Fig. 42 et 43)

Assurez-vous que la batterie est retirée. Fixez la lame sur un angle de coupe en biseau de 0° et le plateau tournant dans la position d'angle d'onglet complètement à droite. Fixez les tiges de glissement de sorte que la tige inférieure soit verrouillée dans la position où le chariot est complètement tiré vers l'utilisateur, et que les tiges supérieures soient verrouillées dans la position où le chariot est complètement poussé à l'avant vers le guide. Abaissez complètement la poignée et verrouillez-la en position inférieure en enfonçant la broche d'arrêt. Saisissez l'outil par les deux côtés du socle pour le transporter, tel qu'indiqué sur l'illustration. L'outil sera plus facile à transporter si vous retirez les servantes, le sac à poussière, etc.

⚠ ATTENTION :

- Immobilisez toujours toutes les pièces mobiles de l'outil avant de le transporter. Si des pièces de l'outil bougent ou glissent pendant que vous le transportez, vous risquez d'en perdre le contrôle ou de perdre l'équilibre, ce qui comporte un risque de blessure.

⚠ AVERTISSEMENT :

- **La broche d'arrêt est conçue exclusivement pour le transport et le rangement de l'outil, et ne doit être utilisée pour aucun travail de coupe.** L'utilisation de la broche d'arrêt pour les travaux de coupe peut causer le déplacement inattendu de la lame et provoquer un choc en retour, ce qui comporte un risque de blessure.

ENTRETIEN

⚠ ATTENTION :

- Assurez-vous toujours que l'outil est hors tension et que la batterie est retirée avant d'y effectuer tout travail d'inspection ou d'entretien.

⚠ AVERTISSEMENT :

- **Pour obtenir de l'outil une performance optimale et une sécurité maximale, assurez-vous toujours que la lame est affûtée et propre.** Il y a risque de choc en retour et de blessure grave si vous tentez d'effectuer la coupe avec une lame émoussée et/ou sale.

REMARQUE :

- N'utilisez jamais d'essence, benzine, diluant, alcool ou autre produit similaire. Cela risquerait de provoquer la décoloration, la déformation ou la fissuration de l'outil.

Réglage de l'angle de coupe

L'outil a été soigneusement réglé et aligné en usine, mais une manipulation maladroite a pu dérégler l'alignement. Si l'outil n'est pas aligné correctement, effectuez les opérations suivantes:

1. Angle de coupe d'onglet

Poussez le chariot vers le guide, puis serrez les deux vis de serrage pour fixer le chariot.

Desserrez le manche qui retient le socle rotatif. Faites pivoter le socle rotatif de sorte que l'index pointe vers 0° sur le secteur. Tournez ensuite le socle rotatif légèrement vers la droite et la gauche pour le caler dans l'entaille d'onglet de 0°. (Laissez-le tel quel si l'index n'indique pas 0°.) Avec la clé hexagonale, desserrez les boulons à tête cylindrique à six pans creux qui retiennent le guide.

(Fig. 44)

Abaissez complètement la poignée et verrouillez-la en position inférieure en enfonçant la broche d'arrêt. Placez le côté de la lame à angle droit par rapport à la surface du guide à l'aide d'une règle triangulaire, d'une équerre de menuisier, etc. Vissez ensuite les boulons à tête cylindrique à six pans creux du guide à fond, dans l'ordre, en commençant du côté droit. (Fig. 45)

Assurez-vous que l'index indique 0° sur le secteur. Si l'index n'indique pas 0°, desserrez la vis qui retient l'index et réglez ce dernier de sorte qu'il indique 0°.

(Fig. 46)

2. Angle de biseau

1. Angle de coupe en biseau 0°

Poussez le chariot vers le guide, puis serrez les deux vis de serrage pour fixer le chariot. Abaissez complètement la poignée et verrouillez-la en position inférieure en enfonçant la broche d'arrêt. Desserrez le levier à l'arrière de l'outil.

Pour incliner la lame vers la droite, tournez de deux ou trois tours vers la gauche le boulon de réglage de l'angle de coupe en biseau 0° (boulon inférieur) du côté droit du bras. (Fig. 47)

Placez soigneusement le côté de la lame à angle droit par rapport à la surface supérieure du socle rotatif au moyen d'une règle triangulaire, d'une équerre de menuisier, etc., en tournant vers la droite le boulon de réglage de l'angle de coupe en biseau 0°. Serrez ensuite le levier fermement. (Fig. 48)

Assurez-vous que l'index du bras indique 0° sur l'échelle de coupe en biseau du support du bras. S'il n'indique pas 0°, desserrez la vis qui retient l'index et ajustez ce dernier de telle sorte qu'il indique 0°.

(Fig. 49)

2. Angle de coupe en biseau 45°

Réglez l'angle de biseau de 45° uniquement après avoir réglé l'angle de biseau de 0°. Pour régler l'angle de biseau de 45°, desserrez le levier et inclinez complètement la lame sur la gauche. Vérifiez que l'index du bras indique 45° sur l'échelle du support du bras. Si le pointeur n'indique pas 45°, tournez le boulon de réglage de l'angle de coupe en biseau 45° (boulon supérieur) du côté droit du bras jusqu'à ce que le pointeur indique 45°. (Fig. 50)

Remplacement des charbons (Fig. 51 et 52)

Retirez et vérifiez les charbons régulièrement. Remplacez-les lorsqu'ils atteignent le repère d'usure. Gardez les charbons propres et libres de glisser dans les porte-charbons. Les deux charbons doivent être remplacés simultanément. Utilisez uniquement des charbons identiques.

Retirez les bouchons de porte-charbon à l'aide d'un tournevis. Enlevez les charbons usés, insérez les neufs et remettez en place les bouchons.

Après l'utilisation

- Après l'utilisation essuyez les copeaux et poussières qui adhèrent à l'outil à l'aide d'un chiffon ou d'un objet similaire. Gardez le protecteur de lame propre, conformément aux instructions fournies dans la section précédente intitulée "Protecteur de lame". Lubrifiez les parties coulissantes avec de l'huile à machine pour prévenir la formation de rouille.
- Pour ranger l'outil, tirez le chariot complètement vers vous de façon que les coulisses disparaissent complètement dans le socle rotatif.

Pour assurer la SECURITE et la FIABILITE du produit, toute réparation et tout travail d'entretien ou de réglage doivent être effectués par un Centre d'Entretien autorisé Makita, avec des pièces de rechange Makita.

ACCESSOIRES EN OPTION

⚠ AVERTISSEMENT :

- Les accessoires ou pièces supplémentaires qui suivent sont recommandés pour l'utilisation avec l'outil Makita spécifié dans ce manuel. L'utilisation de tout autre accessoire ou pièce supplémentaire peut entraîner une blessure grave.
- Utilisez l'accessoire ou la pièce supplémentaire Makita uniquement dans le but spécifié. La mauvaise utilisation d'un accessoire ou d'une pièce supplémentaire comporte un risque de blessure grave.

Pour obtenir plus de détails sur ces accessoires, contactez votre Centre d'Entretien local Makita.

- Lames à dents de carbure de tungstène
- Ensemble d'étau (étau horizontal)
- Étau vertical
- Jeu de servantes
- Butée
- Ensemble de butées et tiges
- Plaque de fixation
- Sac à poussière
- Règle triangulaire
- Clé hexagonale
- Les divers types de batteries et chargeurs Makita authentiques

NOTE :

- Il se peut que certains éléments de la liste soient compris dans l'emballage de l'outil en tant qu'accessoires standard. Ils peuvent varier d'un pays à l'autre.

Bruit

Niveau de bruit pondéré A typique, déterminé selon EN61029 :

Niveau de pression sonore (L_{pA}) : 88 dB (A)
 Niveau de puissance sonore (L_{WA}) : 98 dB (A)
 Incertitude (K) : 3 dB (A)

Porter des protecteurs anti-bruit

ENG900-1

Vibrations

Valeur totale de vibrations (somme de vecteur triaxial) déterminée selon EN61029 :

Émission de vibrations (a_{hp}) : 2,5 m/s² ou moins
 Incertitude (K) : 1,5 m/s²

ENG901-1

- La valeur d'émission de vibrations déclarée a été mesurée conformément à la méthode de test standard et peut être utilisée pour comparer les outils entre eux.
- La valeur d'émission de vibrations déclarée peut aussi être utilisée pour l'évaluation préliminaire de l'exposition.

⚠ AVERTISSEMENT :

- L'émission de vibrations lors de l'usage réel de l'outil électrique peut être différente de la valeur d'émission déclarée, suivant la façon dont l'outil est utilisé.
- Les mesures de sécurité à prendre pour protéger l'utilisateur doivent être basées sur une estimation de l'exposition dans des conditions réelles d'utilisation (en tenant compte de toutes les composantes du cycle d'utilisation, comme par exemple le moment de sa mise hors tension, lorsqu'il tourne à vide et le moment de son déclenchement).

ENH003-15

Pour les pays d'Europe uniquement

Déclaration de conformité CE

Makita déclare que la (les) machine(s) suivante(s) :

Désignation de la machine :

Scie Radiale Sans Fil

N° de modèle/ Type : DLS713

sont conformes aux Directives européennes suivantes :

2006/42/CE

et sont fabriquées conformément aux normes ou aux documents normalisés suivants :

EN61029

La documentation technique conforme à la norme 2006/42/CE est disponible auprès de :

Makita, Jan-Baptist Vinkstraat 2, 3070, Belgique

30.6.2014



Yasushi Fukaya
 Directeur

Makita, Jan-Baptist Vinkstraat 2, 3070, Belgique

Übersicht

1 Anschlagstift	30 Neigungswinkelskala	58 Vorsprung
2 Schraube	31 Arm	59 Schraubstockspindel
3 Einstellschraube	32 Schraube	60 Grundplatte
4 Roter Teil	33 Ein-Aus-Schalter	61 Stange 12
5 Knopf	34 Einschaltsperrknopf	62 Klemmschraube
6 Akku	35 Loch für Vorhängeschloss	63 52/38°-Deckenleistentyp
7 Sternsymbol	36 Steckschlüsselhalter	64 45°-Deckenleistentyp
8 Sägeblattschutzhaube	37 Inbusschlüssel	65 45°-Hohlleistentyp
9 Sägeblattschutzhaube A	38 Mittenabdeckung	66 Innenecke
10 Sägeblattschutzhaube B	39 Inbusschlüssel	67 Außenecke
11 Rändelschraube	40 Innensechskantschraube	68 Über 15 mm (5/8")
12 Schlitzplatte	41 Sicherheitsabdeckung	69 Über 420 mm (16-1/2")
13 Sägeblatt	42 Spindelarrretierung	70 Löcher
14 Sägeblattzähne	43 Pfeil	71 Halteplatte
15 Linksseitiger Neigungsschnitt	44 Sägeblattgehäuse	72 Nuten mit dem Sägeblatt schneiden
16 Geradschnitt	45 Innensechskantschraube (Linksgewinde)	73 Einstelldreieck
17 Gehrungsanschlag	46 Außenflansch	74 Armhalter
18 Drehteller	47 Innenflansch	75 0-Grad-Neigungswinkel-Einstellschraube
19 Drehteller-Oberfläche	48 Spindel	76 Einstellschraube für linksseitigen 45-Grad-Neigungswinkel
20 Sägeblattumfang	49 Staubsack	77 Verschleißgrenze
21 Einstellschraube	50 Absaugstutzen	78 Bürstenhalterkappe
22 Anschlagarm	51 Verschluss	79 Schraubendreher
23 Zusatzanschlag	52 Stütze	
24 Zeiger	53 Schraubstockarm	
25 Gehrungswinkelskala	54 Schraubstockstange	
26 Verriegelungshebel	55 Auflagebügel	
27 Griff	56 Auflageplatte	
28 Hebel	57 Schraubstockknopf	
29 Entriegelungsknopf		

TECHNISCHE DATEN

Modell	DLS713
Sägeblattdurchmesser	190 mm
Sägeblattdicke	1,3 mm – 2,0 mm
Bohrungs-(Spindel)-durchmesser	20 mm
Max. Gehrungswinkel	Links 47°, Rechts 57°
Max. Neigungswinkel	Links 45°, Rechts 5°
Max. Schnitttiefen (H x B) mit Sägeblatt von 190 mm Durchmesser.	

Gehrungswinkel	Neigungswinkel		
	45° (links)	0°	5° (rechts)
0°	25 mm x 300 mm	52 mm x 300 mm	40 mm x 300 mm
	—	*60 mm x 265 mm (Hinweis 1)	—
45° (links und rechts)	25 mm x 212 mm	52 mm x 212 mm	—
	—	*60 mm x 185 mm (Hinweis 2)	—
57° (rechts)	—	52 mm x 163 mm	—
	—	*60 mm x 145 mm (Hinweis 3)	—

Leerlaufdrehzahl (min ⁻¹)	2 200
Abmessungen (L x B x H)	655 mm x 430 mm x 454 mm
Nettogewicht	12,7 kg
Nennspannung	18 V Gleichspannung

(Hinweis)

Das Zeichen * gibt an, dass ein Zwischenbrett der folgenden Dicke verwendet wird.

1: Bei Verwendung eines Zwischenbretts von 20 mm Dicke.

2: Bei Verwendung eines Zwischenbretts von 15 mm Dicke.

3: Bei Verwendung eines Zwischenbretts von 10 mm Dicke.

- Wir behalten uns vor, Änderungen im Zuge der Entwicklung und des technischen Fortschritts ohne vorherige Ankündigung vorzunehmen.
- Die technischen Daten und der Akku können von Land zu Land unterschiedlich sein.
- Gewicht mit Akku nach EPTA-Verfahren 01/2003

ENE076-1

Vorgesehene Verwendung

Die Maschine ist für genaue Gerad- und Gehrungsschnitte in Holz vorgesehen.

GEA010-1

Allgemeine Sicherheitswarnungen für Elektrowerkzeuge

⚠ WARNUNG Lesen Sie alle Sicherheitswarnungen und Anweisungen durch. Eine Missachtung der unten aufgeführten Warnungen und Anweisungen kann zu einem elektrischen Schlag, Brand und/oder schweren Verletzungen führen.

Bewahren Sie alle Warnungen und Anweisungen für spätere Bezugnahme auf.

ENB118-4

SICHERHEITSWARNUNGEN FÜR AKKU-GEHRUNGSSÄGE

1. Halten Sie Ihre Hände von der Schnittlinie des Sägeblatts fern. Vermeiden Sie die Berührung eines auslaufenden Sägeblatts. Es kann auch in diesem Zustand noch schwere Verletzungen verursachen.
2. Überprüfen Sie das Sägeblatt vor dem Betrieb sorgfältig auf Risse oder Verformung. Ersetzen Sie ein beschädigtes Sägeblatt unverzüglich.
3. Wechseln Sie die Schlitzplatte bei Verschleiß aus.
4. Verwenden Sie nur vom Hersteller vorgeschriebene Sägeblätter, die der EU-Norm EN847-1 entsprechen.
5. Verwenden Sie keine Sägeblätter aus Schnellstahl.
6. Tragen Sie stets eine Schutzbrille.
7. Tragen Sie einen Gehörschutz, um die Gefahr von Gehörschädigung zu verringern.
8. Tragen Sie Handschuhe zur Handhabung von Sägeblättern (Sägeblätter sollten stets in einem Halter getragen werden, wenn praktikabel) und rauem Material.
9. Schließen Sie Gehrungs- und Kappsägen beim Betrieb an eine Staubsammelvorrichtung an.
10. Wählen Sie die Sägeblätter unter Berücksichtigung des zu schneidenden Materials aus.
11. Benutzen Sie die Säge nur zum Schneiden von Holz.
12. Sichern Sie stets alle beweglichen Teile, bevor Sie die Maschine tragen. Verwenden Sie beim Anheben oder Tragen der Maschine nicht die Schutzhaube als Tragegriff.
13. Betreiben Sie die Säge nicht ohne Schutzvorrichtungen. Überprüfen Sie die Schutzhaube vor jeder Benutzung auf einwandfreies Schließen. Betreiben Sie die Säge nicht, wenn sich die Schutzhaube nicht ungehindert bewegt und sich nicht sofort schließt. Die Schutzhaube darf auf keinen Fall in der geöffneten Stellung festgeklemmt oder festgebunden werden.
14. Halten Sie den Bodenbereich frei von losem Material, wie z. B. Spänen und Verschnitt.
15. Verwenden Sie nur Sägeblätter, die mit einer Maximaldrehzahl markiert sind, die der am Werkzeug angegebenen Leerlaufdrehzahl entspricht oder diese übertrifft.
16. Wenn die Maschine mit einem Laser oder einer LED ausgestattet ist, ersetzen Sie den Laser bzw. die LED nicht durch einen anderen Typ. Wenden Sie sich bezüglich einer Reparatur an ein autorisiertes Service-Center.
17. Entfernen Sie niemals Verschnitt oder andere Teile des Werkstücks vom Schnittbereich, während die Maschine mit ungeschütztem Sägeblatt läuft.
18. Führen Sie keine freihändigen Arbeiten aus. Das Werkstück muss bei allen Operationen mit der Schraubzwinde fest gegen Drehteller und Gehrungsanschlag gesichert werden. Halten Sie Werkstücke niemals nur mit der Hand.
19. Vergewissern Sie sich vor jedem Schnitt, dass die Maschine stabil ist.
20. Befestigen Sie die Maschine nötigenfalls an einer Werkbank.
21. Stützen Sie lange Werkstücke mit geeigneten Zusatzstützen ab.
22. Schneiden Sie niemals kleine Werkstücke, die nicht sicher in den Schraubstock eingespannt werden können. Ein unzureichend gesichertes Werkstück kann Rückschlag und schweren Personenschaden verursachen.
23. Fassen Sie niemals um das Sägeblatt.
24. Schalten Sie die Maschine aus und lassen Sie das Sägeblatt zum Stillstand kommen, bevor Sie das Werkstück bewegen oder Einstellungen ändern.
25. Trennen Sie die Maschine vom Stromnetz, bevor Sie das Sägeblatt wechseln oder die Maschine warten.
26. Der Anschlagstift, der den Schneidkopf verriegelt, ist nur zum Tragen und zur Lagerung, nicht für irgendwelche Schneidarbeiten, vorgesehen.
27. Betreiben Sie die Maschine nicht in Gegenwart von brennbaren Flüssigkeiten oder Gasen. Bei Anwesenheit von brennbaren Flüssigkeiten oder Gasen könnte der elektrische Betrieb der Maschine eine Explosion und einen Brand verursachen.
28. Verwenden Sie nur die für diese Maschine vorgeschriebenen Flansche.
29. Achten Sie sorgfältig darauf, dass Achse, Flansche (insbesondere die Ansatzfläche) und Schraube nicht beschädigt werden. Eine Beschädigung dieser Teile kann zu einem Sägeblattbruch führen.
30. Vergewissern Sie sich, dass der Drehteller einwandfrei gesichert ist, damit er sich während des Betriebs nicht bewegt.
31. Zur Sicherheit sollte die Tischplatte vor dem Betrieb von Spänen, Kleinteilen usw. gesäubert werden.
32. Schneiden Sie keine Nägel durch. Untersuchen Sie das Werkstück sorgfältig auf Nägel, und entfernen Sie diese vor der Bearbeitung.
33. Vergewissern Sie sich vor dem Einschalten der Maschine, dass die Spindelarreterung freigegeben ist.
34. Vergewissern Sie sich, dass das Sägeblatt in der Tiefstellung nicht mit dem Drehteller in Berührung kommt.

35. Halten Sie den Handgriff sicher fest. Beachten Sie, dass sich die Säge beim Anlaufen und Abstellen geringfügig nach oben oder unten bewegt.
36. Vergewissern Sie sich vor dem Einschalten der Maschine, dass das Sägeblatt nicht das Werkstück berührt.
37. Lassen Sie die Maschine vor dem eigentlichen Schneiden eines Werkstücks eine Weile laufen. Achten Sie auf Vibrationen oder Taumelbewegungen, die Anzeichen für schlechte Montage oder ein schlecht ausgewuchtetes Sägeblatt sein können.
38. Warten Sie, bis das Sägeblatt die volle Drehzahl erreicht hat, bevor Sie mit dem Schneiden beginnen.
39. Brechen Sie sofort den Betrieb ab, wenn Sie irgend-etwas Ungewöhnliches bemerken.
40. Versuchen Sie nicht, den Schalter in der Einschaltstellung zu arretieren.
41. Seien Sie stets wachsam, besonders bei sich dauernd wiederholenden, eintönigen Arbeiten. Lassen Sie sich nicht in trügerische Sicherheit wiegen. Sägeblätter kennen kein Erbarmen.
42. Verwenden Sie stets das in dieser Anleitung empfohlene Zubehör. Der Gebrauch ungeeigneten Zubehörs, wie z.B. Schleifscheiben, kann Verletzungen zur Folge haben.
43. Lassen Sie beim Nutenschneiden Vorsicht walten.
44. Bei manchen Werkstoffen kann der beim Sägen erzeugte Staub Chemikalien enthalten, die erwie-senermaßen Krebs, Geburtsfehler oder Schäd- en an Fortpflanzungsorganen verursachen. Beispiele dieser Chemikalien sind wie folgt:
 - Blei in Lack mit Bleizusatz
 - Arsen und Chrom in chemisch behandeltem Bauholz.
 Ihre Gefährdung durch den Umgang mit solchen Chemikalien hängt davon ab, wie oft Sie diese Arbeiten verrichten. Um Ihre Aussetzung zu diesen Chemikalien zu reduzieren: Arbeiten Sie in gut belüfteter Umgebung, und verwenden Sie geprüfte Sicherheitsvorrichtungen, wie z.B. Staubmasken, die mikroskopische Teilchen herausfiltern.
45. Um den erzeugten Geräuschpegel zu reduzieren, achten Sie stets darauf, dass das Sägeblatt scharf und sauber ist.
46. Die Bedienungsperson sollte in der Handhabung, Einstellung und Bedienung der Maschine hinreichend geschult sein.

BEWAHREN SIE DIESE HINWEISE SORGFÄLTIG AUF.

⚠️ WARNUNG:

Lassen Sie sich NICHT durch Bequemlichkeit oder Vertrautheit mit dem Produkt (durch wiederholten Gebrauch erworben) von der strikten Einhaltung der Sicherheitsregeln für das vorliegende Produkt abhalten. MISSBRAUCH oder Missachtung der Sicherheitsvorschriften in dieser Anleitung können schwere Verletzungen verursachen.

WICHTIGE SICHERHEITSVORSCHRIFTEN

FÜR AKKU

1. Lesen Sie vor der Benutzung des Akkus alle Anweisungen und Warnhinweise, die an (1) Ladegerät, (2) Akku und (3) Akkuwerkzeug angebracht sind.
2. Unterlassen Sie ein Zerlegen des Akkus.
3. Falls die Betriebszeit beträchtlich kürzer geworden ist, stellen Sie den Betrieb sofort ein. Anderenfalls besteht die Gefahr von Überhitzung, möglichen Verbrennungen und sogar einer Explosion.
4. Falls Elektrolyt in Ihre Augen gelangt, waschen Sie sie mit sauberem Wasser aus, und begeben Sie sich unverzüglich in ärztliche Behandlung. Anderenfalls können Sie Ihre Sehkraft verlieren.
5. Der Akku darf nicht kurzgeschlossen werden:
 - (1) Die Kontakte dürfen nicht mit leitfähigem Material berührt werden.
 - (2) Lagern Sie den Akku nicht in einem Behälter zusammen mit anderen Metallgegenständen, wie z.B. Nägel, Münzen usw.
 - (3) Setzen Sie den Akku weder Wasser noch Regen aus. Ein Kurzschluss des Akkus verursacht starken Stromfluss, der Überhitzung, Verbrennungen und einen Defekt zur Folge haben kann.
6. Lagern Sie Maschine und Akku nicht an Orten, an denen die Temperatur 50°C erreichen oder überschreiten kann.
7. Versuchen Sie niemals, den Akku zu verbrennen, selbst wenn er stark beschädigt oder vollkommen verbraucht ist. Der Akku kann im Feuer explodieren.
8. Achten Sie darauf, dass der Akku nicht fallen gelassen oder Stößen ausgesetzt wird.
9. Benutzen Sie keine beschädigten Akkus.

BEWAHREN SIE DIESE HINWEISE SORGFÄLTIG AUF.

Hinweise zur Aufrechterhaltung der maximalen Akku-Nutzungsdauer

1. Laden Sie den Akku, bevor er vollkommen erschöpft ist. Schalten Sie die Maschine stets aus, und laden Sie den Akku, wenn Sie ein Nachlassen der Maschinenleistung feststellen.
2. Unterlassen Sie das erneute Laden eines voll aufgeladenen Akkus. Überladen führt zu einer Verkürzung der Nutzungsdauer des Akkus.
3. Laden Sie den Akku bei Raumtemperatur zwischen 10°C – 40°C. Lassen Sie einen heißen Akku abkühlen, bevor Sie ihn laden.
4. Laden Sie den Akku bei längerer Nichtbenutzung alle sechs Monate nach.

INSTALLATION

Werkbankmontage

Der Handgriff wurde werksseitig vor dem Versand mit dem Anschlagstift in der Tiefstellung verriegelt. Lösen Sie den Anschlagstift, indem Sie geringen Abwärtsdruck auf den Handgriff ausüben und gleichzeitig den Anschlagstift herausziehen. (Abb. 1)

WARNUNG:

- **Stellen Sie sicher, dass sich die Maschine auf der Stützfläche nicht verschiebt.** Eine Verschiebung der Gehrungssäge auf der Stützfläche während des Schneidbetriebs kann zu einem Verlust der Kontrolle und schweren Verletzungen führen.

Diese Maschine sollte unter Verwendung der Schraubenbohrungen in der Grundplatte mit zwei Schrauben auf einer ebenen und stabilen Oberfläche befestigt werden. Dadurch werden Umkippen und mögliche Verletzungen vermieden. (Abb. 2)

Drehen Sie die Einstellschraube im oder entgegen dem Uhrzeigersinn, so dass sie mit der Bodenfläche in Berührung kommt, um die Maschine stabil zu halten. (Abb. 3)

FUNKTIONSBESCHREIBUNG

WARNUNG:

- **Vergewissern Sie sich vor der Durchführung von Einstellungen oder Funktionsprüfungen der Maschine stets, dass die Maschine ausgeschaltet und der Akku abgenommen ist.** Wird das Ausschalten der Maschine und das Abnehmen des Akkus unterlassen, kann es zu schweren Verletzungen durch versehentliches Anlaufen kommen.

Anbringen und Abnehmen des Akkus (Abb. 4)

- Schalten Sie die Maschine stets aus, bevor Sie den Akku anbringen oder abnehmen.
- Ziehen Sie den Akku zum Abnehmen von der Maschine ab, während Sie den Knopf an der Vorderseite des Akkus drücken.
- Richten Sie zum Einsetzen des Akkus dessen Führungsfeder auf die Nut im Gehäuse aus, und schieben Sie den Akku hinein. Schieben Sie ihn stets vollständig ein, bis er mit einem hörbaren Klicken einrastet. Falls der rote Teil an der Oberseite des Knopfes sichtbar ist, ist der Akku nicht vollständig verriegelt. Führen Sie ihn vollständig ein, bis der rote Teil nicht mehr sichtbar ist. Andernfalls kann er aus der Maschine herausfallen und Sie oder umstehende Personen verletzen.
- Wenden Sie beim Einsetzen des Akkus keine Gewalt an. Falls der Akku nicht reibungslos hineingleitet, ist er nicht richtig ausgerichtet.

Akku-Schutzsystem (Lithium-Ionen-Akku mit Sternsymbol) (Abb. 5)

Lithium-Ionen-Akkus mit Sternsymbol sind mit einem Schutzsystem ausgestattet. Dieses System schaltet die Stromversorgung der Maschine automatisch ab, um die Akku-Lebensdauer zu verlängern.

Die Maschine schaltet sich während des Betriebs automatisch ab, wenn Maschine und/oder Akku einer der folgenden Bedingungen unterliegen:

- Überlastung:

Die Maschine wird auf eine Weise benutzt, die eine ungewöhnlich hohe Stromaufnahme bewirkt.

Lassen Sie in dieser Situation den Ein-Aus-Schalter der Maschine los, und brechen Sie die Arbeit ab, die eine Überlastung der Maschine verursacht hat. Betätigen Sie dann den Ein-Aus-Schalter erneut, um die Maschine wieder zu starten.

Falls die Maschine nicht startet, ist der Akku überhitzt. Lassen Sie den Akku in dieser Situation abkühlen, bevor Sie den Ein-Aus-Schalter erneut betätigen.

- Niedrige Akkuspannung:

Die Akku-Restkapazität ist zu niedrig, und die Maschine funktioniert nicht. Nehmen Sie in dieser Situation den Akku ab, und laden Sie ihn auf.

Sägeblattschutzhaube

Für alle Länder außerhalb Europas (Abb. 6)

Wird der Handgriff abgesenkt, hebt sich die Sägeblattschutzhaube automatisch. Die Schutzhaube ist gefedert, so dass sie in ihre Ausgangsstellung zurückkehrt, wenn der Schnitt vollendet ist und der Handgriff angehoben wird.

WARNUNG:

- **Die Sägeblattschutzhaube oder die daran angebrachte Feder darf auf keinen Fall funktionsunfähig gemacht oder entfernt werden.** Ein wegen fehlender Schutzhaube freiliegendes Sägeblatt kann schwere Verletzungen während des Betriebs verursachen.

Im Interesse Ihrer eigenen Sicherheit sollten Sie die Sägeblattschutzhaube stets in ordnungsgemäßem Zustand halten. Funktionsstörungen der Sägeblattschutzhaube müssen sofort behoben werden. Überprüfen Sie die gefederte Rückkehrbewegung der Schutzhaube.

WARNUNG:

- **Benutzen Sie die Maschine niemals mit beschädigter, defekter oder fehlender Sägeblattschutzhaube oder Feder.** Der Betrieb der Maschine mit beschädigter, defekter oder entfernter Schutzhaube kann zu schweren Verletzungen führen.

Für europäische Länder (Abb. 7)

Wird der Handgriff abgesenkt, hebt sich die Sägeblattschutzhaube A automatisch. Die Sägeblattschutzhaube B hebt sich bei Berührung mit dem Werkstück. Die Schutzhauben sind gefedert, so dass sie in ihre Ausgangsstellung zurückkehren, wenn der Schnitt vollendet ist und der Handgriff angehoben wird.

WARNUNG:

- **Die Sägeblattschutzhaube oder die daran angebrachte Feder darf auf keinen Fall funktionsunfähig gemacht oder entfernt werden.** Ein wegen fehlender Sägeblattschutzhaube freiliegendes Sägeblatt kann schwere Verletzungen während des Betriebs verursachen.

Im Interesse Ihrer eigenen Sicherheit sollten Sie die Sägeblattschutzhauben stets in ordnungsgemäßem Zustand halten. Funktionsstörungen der Sägeblattschutzhauben müssen sofort behoben werden. Überprüfen Sie die gefederte Rückkehrbewegung der Schutzhauben.

⚠️ WARNUNG:

- **Benutzen Sie die Maschine niemals mit beschädigter, defekter oder fehlender Sägeblattschutzhaube oder Feder.** Der Betrieb der Maschine mit beschädigter, defekter oder entfernter Schutzhaube kann zu schweren Verletzungen führen.

Wenn die transparente Sägeblattschutzhaube schmutzig wird oder soviel Sägemehl an ihr haftet, dass das Sägeblatt und/oder Werkstück nicht mehr ohne weiteres sichtbar ist, sollten Sie den Akku abnehmen und die Schutzhaube mit einem feuchten Tuch sorgfältig reinigen.

Verwenden Sie keine Lösungsmittel oder Reinigungsmittel auf Petroleumbasis zum Reinigen der Kunststoffschutzhaube, weil sie dadurch beschädigt werden kann. Falls die Sägeblattschutzhaube schmutzig wird und für einwandfreien Betrieb gereinigt werden muss, führen Sie die nachstehenden Schritte aus:

Nachdem Sie die Maschine ausgeschaltet und den Akku abgenommen haben, lösen Sie die Innensechskantschraube, mit der die Mittenabdeckung befestigt ist, mit dem mitgelieferten Inbusschlüssel. Lösen Sie die Innensechskantschraube durch Drehen entgegen dem Uhrzeigersinn, und heben Sie die Sägeblattschutzhaube und die Mittenabdeckung an. **(Abb. 8)**

In dieser Stellung der Sägeblattschutzhaube kann die Reinigung gründlicher und effizienter durchgeführt werden. Wenden Sie nach der Reinigung das obige Demontageverfahren umgekehrt an, und ziehen Sie die Schraube an. Entfernen Sie nicht die Feder, welche die Sägeblattschutzhaube hält. Falls die Schutzhaube durch Alterung oder UV-Strahlung beschädigt wird, bestellen Sie eine neue Schutzhaube bei einer Makita-Kundendienststelle.

DIE SCHUTZHAUBE DARF NICHT FUNKTIONSFÄHIG GEMACHT ODER ENTFERNT WERDEN.

Positionieren der Schlitzplatte (Abb. 9 und 10)

Diese Maschine ist mit Schlitzplatten im Drehteller versehen, um Reißen am Austrittsende eines Schnitts auf ein Minimum zu reduzieren. Die Schlitzplatten sind werksseitig so eingestellt, dass das Sägeblatt nicht mit ihnen in Berührung kommt. Stellen Sie die Schlitzplatten vor dem Gebrauch wie folgt ein:

Nehmen Sie zuerst den Akku ab. Drehen Sie alle Befestigungsschrauben der Schlitzplatten (je 2 auf der linken und rechten Seite) heraus. Ziehen Sie die Schrauben nur so weit an, dass sich die Schlitzplatten noch leicht von Hand bewegen lassen. Senken Sie den Handgriff völlig ab, und schieben Sie den Anschlagstift hinein, um den Handgriff in der Tiefstellung zu verriegeln. Lösen Sie die zwei Klemmschrauben, mit denen die Gleitstangen gesichert sind. Ziehen Sie den Schlitten ganz auf sich zu. Stellen Sie die Schlitzplatten so ein, dass sie die Seiten der Sägeblattzähne nur leicht berühren. Ziehen Sie die vorderen Schrauben an (nicht fest anziehen). Schieben Sie den Schlitten ganz zum Gehrungsanschlag, und stellen Sie die Schlitzplatten so ein, dass sie die Seiten der Sägeblattzähne nur leicht berühren. Ziehen Sie die hinteren Schrauben an (nicht fest anziehen).

Ziehen Sie den Anschlagstift nach der Einstellung der Schlitzplatten wieder heraus, und heben Sie den Handgriff an. Ziehen Sie dann alle Schrauben fest an (nicht fest anziehen).

BEMERKUNG:

- **Nachdem Sie den Neigungswinkel eingestellt haben, vergewissern Sie sich, dass die Schlitzplatten korrekt eingestellt sind.** Die korrekte Einstellung der Schlitzplatten trägt zu einwandfreier Abstützung des Werkstücks bei, um Ausreißen des Werkstücks zu minimieren.

Aufrechterhaltung der maximalen Schnittleistung (Abb. 11 und 12)

Diese Maschine wurde werkseitig so eingestellt, dass die maximale Schnittleistung mit einem Sägeblatt von 190 mm Durchmesser erreicht wird.

Nehmen Sie den Akku ab, bevor Sie mit irgendwelchen Einstellungen beginnen. Wenn Sie ein neues Sägeblatt montieren, überprüfen Sie immer die untere Grenzposition des Sägeblatts, und nehmen Sie nötigenfalls eine Einstellung vor, wie folgt:

Nehmen Sie zuerst den Akku ab. Schieben Sie den Schlitten ganz bis zum Gehrungsanschlag, und senken Sie den Handgriff vollkommen ab. Drehen Sie die Einstellschraube mit dem Inbusschlüssel, bis der Sägeblattumfang am Berührungspunkt von Gehrungsanschlag-Vorderseite und Drehteller-Oberfläche geringfügig unterhalb der Drehteller-Oberfläche liegt.

Drehen Sie das Sägeblatt bei abgenommenem Akku von Hand, während Sie den Handgriff in der Tiefstellung halten, um sicherzugehen, dass das Sägeblatt keinen Teil des Auflagetisches berührt. Nötigenfalls ist eine Nachjustierung vorzunehmen.

⚠️ WARNUNG:

- **Vergewissern Sie sich nach der Montage eines neuen Sägeblatts bei abgenommenem Akku stets, dass das Sägeblatt in der Tiefstellung des Handgriffs keinen Teil des Auflagetisches berührt.** Falls das Sägeblatt mit dem Auflagetisch in Berührung kommt, kann es Rückschlag verursachen, was zu schweren Verletzungen führen kann.

Anschlagarm (Abb. 13)

Die untere Grenzposition des Sägeblatts kann mit dem Anschlagarm leicht eingestellt werden. Schwenken Sie den Anschlagarm zum Einstellen in Pfeilrichtung, wie in der Abbildung gezeigt. Stellen Sie die Einstellschraube so ein, dass das Sägeblatt an der gewünschten Position anhält, wenn der Handgriff ganz abgesenkt wird.

Zusatzanschlag (nur für europäische Länder) (Abb. 14)

Diese Maschine ist mit einem Zusatzanschlag ausgestattet. Der Zusatzanschlag ist normalerweise innen zu positionieren. Zur Durchführung von linksseitigen Neigungsschnitten ist er jedoch nach außen zu klappen.

⚠️ VORSICHT:

- Klappen Sie den Zusatzanschlag zur Durchführung von linksseitigen Neigungsschnitten nach außen. Anderenfalls kommt er mit dem Sägeblatt oder einem anderen Teil der Maschine in Berührung, was schwere Verletzungen der Bedienungsperson zur Folge haben kann.

Einstellen des Gehrungswinkels (Abb. 15)

Lösen Sie den Griff durch Linksdrehung. Drehen Sie den Drehteller, während Sie den Verriegelungshebel niederdrücken. Bewegen Sie den Griff, bis der Zeiger auf den gewünschten Winkel der Gehrungswinkelskala zeigt, und ziehen Sie dann den Griff durch Rechtsdrehung fest.

VORSICHT:

- Sichern Sie den Drehteller nach jeder Änderung des Gehrungswinkels stets durch Anziehen des Griffs gegen Verdrehen.

BEMERKUNG:

- Bringen Sie den Handgriff in die Hochstellung, bevor Sie den Drehteller drehen.

Einstellen des Neigungswinkels (Abb. 16 und 17)

Um den Neigungswinkel einzustellen, lösen Sie den Hebel auf der Rückseite der Maschine durch Linksdrehen.

Schwenken Sie den Handgriff nach links, um den Sägekopf zu neigen, bis der Zeiger auf den gewünschten Winkel der Neigungswinkelskala zeigt. Ziehen Sie dann den Verriegelungshebel durch Rechtsdrehen fest, um den Arm einwandfrei zu sichern.

Neigen Sie das Sägeblatt nach rechts, und drücken Sie den Entriegelungsknopf auf der Rückseite der Maschine, während Sie das Sägeblatt nach dem Lösen des Hebels etwas nach links neigen. Neigen Sie das Sägeblatt bei gedrücktem Entriegelungsknopf nach rechts.

VORSICHT:

- Sichern Sie den Arm nach jeder Änderung des Neigungswinkels stets durch Anziehen des Hebels im Uhrzeigersinn.

BEMERKUNG:

- Achten Sie beim Neigen des Sägeblatts darauf, dass der Handgriff vollständig angehoben ist.
- Wenn der Neigungswinkel geändert wird, müssen die Schlitzplatten gemäß der Beschreibung im Abschnitt "Positionieren der Schlitzplatte" entsprechend eingestellt werden.

Einstellen der Hebelposition (Abb. 18)

Der Hebel kann um jeweils 30° versetzt werden, wenn kein vollständiges Anziehen erreicht wird.

Lösen und entfernen Sie die Schraube, die den Hebel auf der Rückseite der Maschine sichert. Nehmen Sie den Hebel ab, und bringen Sie ihn etwas über der Waage-rechten wieder an. Ziehen Sie den Hebel mit der Schraube wieder fest an.

Schalterfunktion

Für europäische Länder (Abb. 19)

Um versehentliche Betätigung des Ein-Aus-Schalters zu verhüten, ist die Maschine mit einem Einschaltsperrknopf ausgestattet. Zum Einschalten der Maschine den Hebel nach oben drücken, den Einschaltsperrknopf hineindrücken, und dann den Ein-Aus-Schalter betätigen. Lassen Sie zum Ausschalten den Ein-Aus-Schalter los.

WARNUNG:

- **Vergewissern Sie sich vor dem Anbringen des Akkus an der Maschine stets, dass der Ein-Aus-Schalter ordnungsgemäß funktioniert und beim Loslassen in die AUS-Stellung zurückkehrt. Betätigen Sie den Ein-Aus-Schalter nicht gewaltsam, ohne die Einschaltsperrperre hineinzudrücken. Dies kann zu Beschädigung des Schalters führen.** Der Betrieb der Maschine mit fehlerhaftem Schalter kann zum Verlust der Kontrolle und zu schweren Verletzungen führen.

Der Ein-Aus-Schalter ist mit einem Loch für ein Vorhängeschloss versehen, um die Maschine zu verriegeln.

Für alle Länder außerhalb Europas (Abb. 20)

Um versehentliche Betätigung des Ein-Aus-Schalters zu verhüten, ist die Maschine mit einem Einschaltsperrknopf ausgestattet. Betätigen Sie zum Starten der Maschine den Ein-Aus-Schalter bei gedrücktem Einschaltsperrknopf. Lassen Sie zum Ausschalten den Ein-Aus-Schalter los.

WARNUNG:

- **Vergewissern Sie sich vor dem Anbringen des Akkus an der Maschine stets, dass der Ein-Aus-Schalter ordnungsgemäß funktioniert und beim Loslassen in die AUS-Stellung zurückkehrt. Betätigen Sie den Ein-Aus-Schalter nicht gewaltsam, ohne die Einschaltsperrperre hineinzudrücken. Dies kann zu Beschädigung des Schalters führen.** Der Betrieb der Maschine mit fehlerhaftem Schalter kann zum Verlust der Kontrolle und zu schweren Verletzungen führen.

Der Ein-Aus-Schalter ist mit einem Loch für ein Vorhängeschloss versehen, um die Maschine zu verriegeln.

WARNUNG:

- **Verwenden Sie kein Schloss, dessen Schaft oder Kabel einen kleineren Durchmesser als 6,35 mm (1/4") hat.** Ein kleinerer Schaft oder ein Kabel verriegelt das Maschine möglicherweise nicht richtig in der Aus-Stellung, so dass es zu ungewolltem Betrieb mit daraus resultierenden schweren Verletzungen kommen kann.
- **Benutzen Sie die Maschine NIEMALS, wenn der Ein-Aus-Schalter nicht voll funktionsfähig ist.** Eine Maschine mit funktionsunfähigem Schalter ist ÄUßERST GEFÄHRLICH und muss vor weiterem Gebrauch repariert werden. Anderenfalls kann es zu schweren Verletzungen kommen.
- Aus Sicherheitsgründen ist diese Maschine mit einer Einschaltsperrperre ausgestattet, die versehentliches Einschalten der Maschine verhütet. Betreiben Sie die Maschine NIEMALS, wenn sie durch einfache Betätigung des Ein-Aus-Schalters eingeschaltet werden kann, ohne die Einschaltsperrperre zu drücken. Ein reparaturbedürftiger Schalter kann zu ungewolltem Betrieb und daraus resultierenden schweren Verletzungen führen. Lassen Sie die Maschine von einer Makita-Kundendienststelle ordnungsgemäß reparieren, BEVOR Sie sie weiter benutzen.
- NIEMALS den Einschaltsperrknopf mit Klebeband oder anderen Mitteln unwirksam machen. Ein Schalter mit unwirksamem Einschaltsperrknopf kann zu ungewolltem Betrieb und daraus resultierenden schweren Verletzungen führen.

MONTAGE

WARNUNG:

- **Vergewissern Sie sich vor dem Arbeiten an der Maschine stets, dass die Maschine ausgeschaltet und der Akku abgenommen ist.** Das Versäumnis, die Maschine auszuschalten und den Akku abzunehmen, kann zu schweren Verletzungen führen.

Innensechskantschraube-Aufbewahrung (Abb. 21)

Der Innensechskantschraube wird gemäß der Abbildung aufbewahrt.

Wenn der Innensechskantschraube benötigt wird, kann er aus dem Schlüsselhalter gezogen werden.

Nach dem Gebrauch kann der Innensechskantschraube wieder in den Schlüsselhalter eingesetzt werden.

Montieren und Demontieren des Sägeblatts

WARNUNG:

- **Vergewissern Sie sich vor dem Anbringen oder Abnehmen des Sägeblatts stets, dass die Maschine ausgeschaltet und der Akku abgenommen ist.** Versehrliches Anlaufen der Maschine kann zu schweren Verletzungen führen.

VORSICHT:

- Verwenden Sie nur den mitgelieferten Makita-Inbusschlüssel zum Montieren und Demontieren des Sägeblatts. Anderenfalls besteht die Gefahr, dass die Innensechskantschraube zu fest oder unzureichend angezogen wird. Dies könnte zu einer Verletzung führen.

Arretieren Sie den Handgriff durch Hineinschieben des Anschlagstifts in der Hochstellung. (Abb. 22)

Zum Demontieren des Sägeblatts lösen Sie zunächst die Innensechskantschraube, mit der die Mittenabdeckung befestigt ist, durch Linksdrehung mit dem Inbusschlüssel. Heben Sie die Schutzhaube und die Mittenabdeckung an. (Abb. 23)

Blockieren Sie die Spindel durch Drücken der Spindelarretierung, und lösen Sie die Innensechskantschraube (linksgängig) durch Rechtsdrehung des Inbusschlüssels. Entfernen Sie dann Innensechskantschraube, Außenflansch und Sägeblatt. (Abb. 24)

HINWEIS:

- Falls der Innenflansch entfernt wird, bringen Sie ihn so an der Spindel an, dass sein Vorsprung von dem Sägeblatt weg gerichtet ist. Wird der Flansch falsch montiert, schleift er an der Maschine.

Zum Montieren schieben Sie das Sägeblatt vorsichtig auf die Spindel, wobei Sie darauf achten, dass der Pfeil auf dem Sägeblatt in dieselbe Richtung zeigt wie der Pfeil auf der Schutzhaube. Bringen Sie Außenflansch und Innensechskantschraube an, und ziehen Sie dann die Innensechskantschraube (linksgängig) bei gedrückter Spindelarretierung durch Linksdrehung des Inbusschlüssels fest.

Bringen Sie Schutzhaube und Mittenabdeckung wieder in ihre Ausgangsstellung. Ziehen Sie dann die Innensechskantschraube zur Sicherung mit dem Mittenabdeckung im Uhrzeigersinn an. Lösen Sie den Handgriff durch Herausziehen des Anschlagstifts aus der Hochstellung. Senken Sie den Handgriff ab, um zu prüfen, ob sich die Schutzhaube einwandfrei bewegt. Vergewissern Sie sich vor der Benutzung der Maschine, dass die Spindelarretierung gelöst ist. (Abb. 25 und 26)

Staubsaack (Zubehör) (Abb. 27)

Um den Verschluss anzubringen, richten Sie die Oberkante des Verschlusses auf die Dreiecksmarke am Staubsaack aus.

Bei Verwendung des Staubsaacks wird das Arbeiten sauberer und das Staubsammeln einfacher. Zum Anbringen wird der Staubsaack auf den Absaugstutzen geschoben. Wenn der Staubsaack etwa halb voll ist, nehmen Sie ihn von der Maschine ab und ziehen den Verschluss heraus. Entleeren Sie den Staubsaack, indem Sie ihn leicht abklopfen, um die an den Innenflächen haftenden Staubpartikel, die den Durchlass behindern können, zu lösen.

HINWEIS:

- Wenn Sie einen Makita-Staubsauger an Ihre Säge anschließen, können Sie sauberer arbeiten.

Sicherung von Werkstücken (Abb. 28)

WARNUNG:

- **Es ist äußerst wichtig, das Werkstück stets mit dem geeigneten Schraubstocktyp korrekt zu sichern.** Anderenfalls kann es zu schweren Verletzungen und Beschädigung der Maschine und/oder Werkstücks kommen.
- **Heben Sie das Sägeblatt nach erfolgtem Schnitt erst an, nachdem es zum völligen Stillstand gekommen ist.** Das Anheben eines noch rotierenden Sägeblatts kann zu schweren Verletzungen und Beschädigung des Werkstücks führen.
- **Wenn Sie ein Werkstück schneiden, das länger als der Auflagetisch der Säge ist, sollte das Material auf der gesamten Länge außerhalb des Auflagetisches und auf derselben Höhe abgestützt werden, um es waagrecht zu halten.** Korrekte Werkstückabstützung trägt zur Vermeidung von Sägeblattklemmen und möglichem Rückschlag bei, die zu schweren Verletzungen führen können. Verlassen Sie sich nicht nur auf die Vertikal- und/oder Horizontalschraubzwinde zur Sicherung des Werkstücks. Dünnes Material neigt zum Durchhängen. Stützen Sie das Werkstück auf seiner gesamten Länge ab, um Klemmen des Sägeblatts und möglichen RÜCKSCHLAG zu vermeiden.

Vertikal-Schraubstock (Abb. 29)

Der Vertikal-Schraubstock kann an zwei Positionen entweder auf der linken oder rechten Seite des Gehrungsanschlags oder der Auflageplatte (Sonderzubehör) montiert werden. Setzen Sie den Stehbolzen in die Bohrung des Gehrungsanschlags oder der Auflageplatte ein, und sichern Sie ihn durch Anziehen der Schraube.

Stellen Sie den Schraubstockarm auf die Abmessungen des Werkstücks ein, und sichern Sie ihn durch Anziehen der Schraube. Falls die Befestigungsschraube des Schraubstockarms mit dem Gehrungsanschlag in Berührung kommt, installieren Sie die Schraube auf der entgegengesetzten Seite des Schraubstockarms. Vergewissern Sie sich, dass kein Teil der Maschine mit dem Schraubstock in Berührung kommt, wenn der Handgriff ganz abgesenkt und der Schlitten bis zum Anschlag gezogen oder geschoben wird. Falls irgendwelche Teile mit dem Schraubstock in Berührung kommen, ist der Schraubstock zu versetzen.

Drücken Sie das Werkstück flach gegen Gehrungsanschlag und Drehteller. Bringen Sie das Werkstück in die gewünschte Schnittposition, und sichern Sie es einwandfrei durch Anziehen des Schraubstockknopfes.

WARNUNG:

- **Das Werkstück muss bei allen Operationen mit der Schraubzwinde fest gegen Drehteller und Gehrungsanschlag gesichert werden.** Wird das Werkstück nicht einwandfrei am Anschlag gesichert, kann sich das Material während des Schneidbetriebs verschieben und eine mögliche Beschädigung des Sägeblatts verursachen, was zu Herausschleudern des Materials und Verlust der Kontrolle mit daraus resultierenden schweren Verletzungen führen kann.

Horizontal-Schraubstock (Sonderzubehör)

(Abb. 30)

Der Horizontal-Schraubstock kann auf der linken Seite des Auflagetisches montiert werden. Durch Linksdrehung des Schraubstockknopfes wird die Schraube gelöst, so dass der Schraubstockschaft schnell vor- und zurückgeschoben werden kann. Durch Rechtsdrehen des Schraubstockknopfes bleibt die Schraube gesichert. Drehen Sie den Schraubstockknopf zum Einspannen von Werkstücken sachte im Uhrzeigersinn, bis der Vorsprung seine Höchstposition erreicht, und ziehen Sie ihn dann fest. Wird der Schraubstockknopf während der Rechtsdrehung hineingedrückt oder herausgezogen, bleibt der Vorsprung eventuell schräg stehen. Drehen Sie den Schraubstockknopf in diesem Fall entgegen dem Uhrzeigersinn zurück, bis sich die Schraube löst, bevor Sie ihn wieder sachte im Uhrzeigersinn drehen.

Werkstücke von maximal 120 mm Breite können mit dem Horizontal-Schraubstock eingespannt werden.

⚠️ WARNUNG:

- **Spannen Sie das Werkstück nur ein, wenn sich der Vorsprung an der obersten Position befindet.** Andernfalls wird das Werkstück möglicherweise nicht ausreichend gesichert, so dass die Gefahr besteht, dass es herausgeschleudert, das Sägeblatt beschädigt oder Verlust der Kontrolle verursacht wird, was zu VERLETZUNGEN führen kann.

Auflagebügel und Auflageplatte (Sonderzubehör)

(Abb. 31 und 32)

Die Auflagebügel und die Auflageplatte können zur zusätzlichen horizontalen Abstützung von Werkstücken auf beiden Seiten montiert werden. Montieren Sie die Teile, wie in der Abbildung gezeigt. Ziehen Sie dann die Schrauben fest, um Auflagebügel und Auflageplatte zu sichern.

Wenn Sie lange Werkstücke sägen, verwenden Sie den Auflageverlängerungssatz (Sonderzubehör). Dieser besteht aus zwei Auflageplatten und zwei Stangen 12.

⚠️ WARNUNG:

- **Stützen Sie ein langes Werkstück stets so ab, dass es waagrecht zur Oberseite des Drehtellers liegt, um akkurate Schnitte auszuführen und gefährlichen Verlust der Kontrolle über die Maschine zu verhüten.** Korrekte Werkstückabstützung trägt zur Vermeidung von Sägeblattklemmen und möglichem Rückschlag bei, was zu schweren Verletzungen führen kann.

BETRIEB

BEMERKUNG:

- Lösen Sie den Handgriff vor der Benutzung unbedingt aus der Tiefstellung, indem Sie den Anschlagstift herausziehen.
- Üben Sie beim Schneiden keinen übermäßigen Druck auf den Handgriff aus. Zu starker Druck kann zu Überlastung des Motors und/oder verminderter Schnittleistung führen. Drücken Sie den Handgriff nur mit so viel Kraft nieder, wie für reibungslosen Sägebetrieb notwendig ist, ohne einen beträchtlichen Abfall der Sägeblattzahl zu verursachen.

- Drücken Sie den Handgriff zur Ausführung des Schnitts sachte nieder. Bei zu großer oder seitlicher Kraftausübung kann das Sägeblatt in Schwingung versetzt werden, wodurch zusätzliche Sägespuren im Werkstück erzeugt werden und die Schnittgenauigkeit beeinträchtigt wird.
- Schieben Sie den Schlitten bei Schiebeschnitten sachte und ohne anzuhalten zum Gehrungsanschlag. Wird die Schlittenbewegung während des Schnitts unterbrochen, hinterlässt das Sägeblatt eine Markierung im Werkstück, und die Schnittgenauigkeit wird beeinträchtigt.

⚠️ WARNUNG:

- **Vergewissern Sie sich vor dem Einschalten der Maschine, dass das Sägeblatt nicht das Werkstück usw. berührt.** Wird die Maschine eingeschaltet, während das Sägeblatt mit dem Werkstück in Berührung ist, kann es zu Rückschlag mit daraus resultierenden schweren Verletzungen kommen.

1. Kappschnitt (Schneiden kleiner Werkstücke) (Abb. 33)

Werkstücke bis zu 52 mm Höhe und 97 mm Breite können folgendermaßen geschnitten werden.

Schieben Sie den Schlitten ganz bis zum Gehrungsanschlag, und ziehen Sie die zwei Klemmschrauben der Gleitstangen durch Rechtsdrehen an, um den Schlitten zu sichern. Sichern Sie das Werkstück mit einem geeigneten Schraubstocktyp. Schalten Sie die Maschine ein, ohne dass das Sägeblatt Kontakt hat, und warten Sie, bis es seine volle Drehzahl erreicht, bevor Sie es absenken. Senken Sie dann den Handgriff zum Schneiden des Werkstücks sachte bis auf die Tiefstellung ab. Sobald der Schnitt beendet ist, schalten Sie die Maschine aus, und WARTEN SIE, BIS DAS SÄGEBLATT ZUM VÖLLIGEN STILLSTAND GEKOMMEN IST, bevor Sie den Sägekopf wieder ganz anheben.

⚠️ WARNUNG:

- **Ziehen Sie die zwei Klemmschrauben der Gleitstangen fest im Uhrzeigersinn an, damit sich der Schlitten während des Schnitts nicht bewegt.** Unzureichendes Anziehen der Sicherungsschraube kann möglichen Rückschlag verursachen, der zu schweren Verletzungen führen kann.

2. Schiebeschnitt (Schneiden breiter Werkstücke) (Abb. 34)

Lösen Sie die zwei Klemmschrauben der Gleitstangen entgegen dem Uhrzeigersinn, so dass der Schlitten frei gleiten kann. Sichern Sie das Werkstück mit einem geeigneten Schraubstocktyp. Ziehen Sie den Schlitten ganz auf sich zu. Schalten Sie die Maschine ein, ohne dass das Sägeblatt Kontakt hat, und warten Sie, bis es seine volle Drehzahl erreicht. Drücken Sie den Handgriff nach unten, und SCHIEBEN SIE DEN SCHLITTEN AUF DEN GEHRUNGSANSCHLAG ZU UND DURCH DAS WERKSTÜCK. Sobald der Schnitt beendet ist, schalten Sie die Maschine aus, und WARTEN SIE, BIS DAS SÄGEBLATT ZUM VÖLLIGEN STILLSTAND GEKOMMEN IST, bevor Sie den Sägekopf wieder ganz anheben.

⚠️ WARNUNG:

- **Ziehen Sie bei jeder Durchführung eines Schiebeschnitts zuerst den Schlitten ganz auf sich zu, und drücken Sie den Handgriff ganz nach unten, bevor Sie den Schlitten auf den Gehrungsanschlag zu schieben. Starten Sie den Schnitt niemals, ohne den Schlitten ganz auf sich zu gezogen zu haben.**

Wenn Sie den Schiebeschnitt durchführen, ohne den Schlitten ganz auf sich zu gezogen zu haben, kann ein unerwarteter Rückschlag auftreten, der zu schweren Verletzungen führen kann.

- **Versuchen Sie niemals, einen Schiebeschnitt durchzuführen, indem Sie den Schlitten auf sich zu ziehen.** Wenn Sie den Schlitten während des Schneidbetriebs auf sich zu ziehen, kann ein unerwarteter Rückschlag verursacht werden, der zu schweren Verletzungen führen kann.
- Führen Sie niemals einen Schiebeschnitt aus, wenn der Handgriff in der Tiefstellung verriegelt ist.
- **Lösen Sie niemals den Sicherungsknopf des Schlittens bei rotierendem Sägeblatt.** Ein loser Schlitten während des Schneidbetriebs kann einen unerwarteten Rückschlag verursachen, der zu schweren Verletzungen führen kann.

3. Gehrungsschnitt

Nehmen Sie auf den vorherigen Abschnitt "Einstellen des Gehrungswinkels" Bezug.

4. Neigungsschnitt (Abb. 35)

Lösen Sie den Hebel, und neigen Sie das Sägeblatt auf den gewünschten Neigungswinkel (siehe den obigen Abschnitt "Einstellen des Neigungswinkels"). Ziehen Sie den Hebel unbedingt fest an, um den eingestellten Neigungswinkel einwandfrei zu sichern. Spannen Sie das Werkstück mit einem Schraubstock ein. Vergewissern Sie sich, dass der Schlitten ganz in Richtung der Bedienungsperson zurückgezogen ist. Schalten Sie die Maschine ein, ohne dass das Sägeblatt Kontakt hat, und warten Sie, bis es seine volle Drehzahl erreicht. Senken Sie dann den Handgriff unter Druckausübung in Richtung des Sägeblatts sachte bis zur Tiefstellung ab, und SCHIEBEN SIE DEN SCHLITTEN AUF DEN GEHRUNGSANSCHLAG ZU, UM DAS WERKSTÜCK ZU SCHNEIDEN. Sobald der Schnitt beendet ist, schalten Sie die Maschine aus, und WARTEN SIE, BIS DAS SÄGEBLATT ZUM VÖLLIGEN STILLSTAND GEKOMMEN IST, bevor Sie den Sägekopf wieder ganz anheben.

⚠️ WARNUNG:

- **Nachdem Sie das Sägeblatt für einen Gehrungsschnitt eingestellt haben, vergewissern Sie sich vor der Benutzung der Maschine, dass Schlitten und Sägeblatt über den gesamten Bereich des beabsichtigten Schnitts Freigang haben.** Eine Unterbrechung des Schlitten- oder Sägeblattwegs während des Schneidbetriebs kann zu einem Rückschlag mit daraus resultierenden schweren Verletzungen führen.
- **Halten Sie Ihre Hände während der Ausführung eines Gehrungsschnitts aus dem Weg des Sägeblatts.** Der Winkel des Sägeblatts kann den Bediener hinsichtlich des tatsächlichen Sägeblattwegs während des Schneidbetriebs verwirren, und Kontakt mit dem Sägeblatt kann zu schweren Verletzungen führen.

- **Heben Sie das Sägeblatt erst an, nachdem es zum völligen Stillstand gekommen ist.** Während eines Gehrungsschnitts kann das abgesägte Stück am Sägeblatt anliegen. Wird das Sägeblatt in rotierendem Zustand angehoben, kann das abgesägte Stück vom Sägeblatt herausgeschleudert werden, so dass das Material zersplittert, was zu schweren Verletzungen führen kann.

BEMERKUNG:

- Wenn Sie den Handgriff niederdrücken, üben Sie den Druck parallel zum Sägeblatt aus. Falls eine Kraft senkrecht zum Drehteller ausgeübt oder die Druckrichtung während eines Schnitts geändert wird, kann die Genauigkeit des Schnitts beeinträchtigt werden.

⚠️ VORSICHT:

- (Nur für europäische Länder) Klappen Sie den Zusatzanschlag stets nach außen, wenn Sie linksseitige Neigungsschnitte durchführen.

5. Compoundsschnitt

Unter Compoundsschnitt versteht man das Schneiden eines Werkstücks mit gleichzeitiger Gehrungs- und Neigungswinkeleinstellung. Die Kombinationsmöglichkeiten entnehmen Sie bitte der nachstehenden Tabelle.

Gehrungswinkel	Neigungswinkel
Links und Rechts 45°	Links 0° – 45°
Rechts 50°	Links 0° – 40°
Rechts 55°	Links 0° – 30°
Rechts 57°	Links 0° – 25°

006393

Nehmen Sie zur Durchführung von Compoundsschnitten auf die Erläuterungen unter "Kappsschnitt", "Schiebeschnitt", "Gehrungsschnitt" und "Neigungsschnitt" Bezug.

6. Schneiden von Decken- und Hohlleisten

Decken- und Hohlleisten können flach auf dem Drehteller liegend mit einer Kapp- und Gehrungssäge geschnitten werden.

Es gibt zwei allgemeine Deckenleistentypen und einen Hohlleistentyp: Deckenleiste mit 52/38° Wandwinkel, Deckenleiste mit 45° Wandwinkel und Hohlleiste mit 45° Wandwinkel. Siehe die Abbildungen. (Abb. 36)

Es gibt Decken- und Hohlleistenstöße, die in 90°-Innenecken ((1) und (2) in **Abb. 37 und 38**) und 90°-Außenecken ((3) und (4) in **Abb. 37 und 38**) passen.

Messen

Messen Sie die Wandlänge, und stellen Sie das Werkstück auf dem Tisch ein, um die Wandkontaktkante auf die gewünschte Länge zu schneiden. Vergewissern Sie sich stets, dass die geschnittene Werkstücklänge **auf der Rückseite des Werkstücks** der Wandlänge entspricht. Stellen Sie die Schnittlänge auf den Schnittwinkel ein. Verwenden Sie stets mehrere Stücke für Probeschnitte, um die Sägenwinkel zu überprüfen.

Wenn Sie Decken- und Hohlleisten schneiden, stellen Sie den Neigungs- und Gehrungswinkel gemäß den Angaben in Tabelle (A) ein, und legen Sie die Leisten auf die Oberseite der Grundplatte, wie in Tabelle (B) angegeben.

Im Falle eines Linksneigungsschnitts

Tabelle (A)

	Leistenposition in Abb. 37 und 38	Neigungswinkel		Gehrungswinkel	
		52/38°-Typ	45°-Typ	52/38°-Typ	45°-Typ
Für Innenecke	(1)	Links 33,9°	Links 30°	Rechts 31,6°	Rechts 35,3°
	(2)			Links 31,6°	Links 35,3°
Für Außenecke	(3)			Rechts 31,6°	Rechts 35,3°
	(4)				

006361

Tabelle (B)

	Leistenposition in Abb. 37 und 38	Leistenkante gegen Gehrungsanschlag	Fertiges Stück
Für Innenecke	(1)	Die Deckenkontaktkante muss am Gehrungsanschlag anliegen.	Das fertige Stück befindet sich auf der linken Seite des Sägeblatts.
	(2)	Die Wandkontaktkante muss am Gehrungsanschlag anliegen.	
Für Außenecke	(3)	Die Deckenkontaktkante muss am Gehrungsanschlag anliegen.	Das fertige Stück befindet sich auf der rechten Seite des Sägeblatts.
	(4)		

006362

Beispiel:

Schneiden einer 52/38°-Deckenleiste für Position (1) in **Abb. 37 und 38**:

- Neigungswinkel auf 33,9° LINKS einstellen und sichern.
- Gehrungswinkel auf 31,6° RECHTS einstellen und sichern.
- Die Deckenleiste mit ihrer breiten (verborgenen) Rückseite auf den Drehteller legen, so dass ihre DECKENKONTAKTKANTE am Gehrungsanschlag der Säge anliegt.
- Das zu verwendende fertige Stück befindet sich nach der Ausführung des Schnitts immer auf der LINKEN Seite des Sägeblatts.

Im Falle eines Rechtsneigungsschnitts

Tabelle (A)

	Leistenposition in Abb. 37 und 38	Neigungswinkel		Gehrungswinkel	
		52/38°-Typ	45°-Typ	52/38°-Typ	45°-Typ
Für Innenecke	(1)	Rechts 33,9°	Rechts 30°	Rechts 31,6°	Rechts 35,3°
	(2)			Links 31,6°	Links 35,3°
Für Außenecke	(3)			Rechts 31,6°	Rechts 35,3°
	(4)				

006363

Tabelle (B)

	Leistenposition in Abb. 37 und 38	Leistenkante gegen Gehrungsanschlag	Fertiges Stück
Für Innenecke	(1)	Die Wandkontaktkante muss am Gehrungsanschlag anliegen.	Das fertige Stück befindet sich auf der rechten Seite des Sägeblatts.
	(2)	Die Deckenkontaktkante muss am Gehrungsanschlag anliegen.	
Für Außenecke	(3)	Die Wandkontaktkante muss am Gehrungsanschlag anliegen.	Das fertige Stück befindet sich auf der linken Seite des Sägeblatts.
	(4)	Die Wandkontaktkante muss am Gehrungsanschlag anliegen.	

006364

Beispiel:

Schneiden einer 52/38°-Deckenleiste für Position (1) in **Abb. 37 und 38:**

- Neigungswinkel auf 33,9° RECHTS einstellen und sichern.
- Gehrungswinkel auf 31,6° RECHTS einstellen und sichern.
- Die Deckenleiste mit ihrer breiten (verborgenen) Rückseite auf den Drehteller legen, so dass ihre WANDKONTAKT-KANTE am Gehrungsanschlag der Säge anliegt.
- Das zu verwendende fertige Stück befindet sich nach der Ausführung des Schnitts immer auf der RECHTEN Seite des Sägeblatts.

7. Zwischenbrett (Abb. 39)

Durch die Verwendung eines Zwischenbretts lassen sich Werkstücke splinterfrei sägen. Die Bohrungen im Gehrungsanschlag dienen als Befestigungshilfe für ein Zwischenbrett.

Die Maße für ein vorgeschlagenes Zwischenbrett sind aus der Abbildung ersichtlich.

⚠ VORSICHT:

- Verwenden Sie glatt gehobeltes Holz von gleichmäßiger Dicke als Zwischenbrett.

⚠ WARNUNG:

- **Befestigen Sie das Zwischenbrett mit Schrauben am Gehrungsanschlag. Die Schrauben sind so zu installieren, dass die Schraubenköpfe unter der Oberfläche des Zwischenbretts versenkt sind, damit sie nicht die Lage des zu schneidenden Materials behindern.** Eine Fehlausrichtung des zu schneidenden Materials kann unerwartete Bewegung während des Schneidvorgangs verursachen, die zum Verlust der Kontrolle und schweren Verletzungen führen kann.

BEMERKUNG:

- Drehen Sie den Drehteller bei montiertem Zwischenbrett nicht mit abgesehenem Handgriff. Anderenfalls kommt es zu einer Beschädigung des Sägeblatts und/oder des Zwischenbretts.

8. Wiederholtes Schneiden auf gleiche Länge (Abb. 40)

Wenn Sie mehrere Werkstücke innerhalb des Bereichs von 220 mm bis 385 mm auf die gleiche Länge schneiden, ist die Verwendung der Anschlagplatte (Sonderzubehör) zu empfehlen, um rationeller zu arbeiten. Montieren Sie die Anschlagplatte am Auflagebügel (Sonderzubehör), wie in der Abbildung gezeigt.

Richten Sie die Schnittlinie des Werkstücks entweder auf die linke oder rechte Kante der Nut in der Schlitzplatte aus, und schieben Sie die Anschlagplatte bündig gegen das Ende des Werkstücks, während Sie das Werkstück am Verrutschen hindern. Sichern Sie dann die Anschlagplatte mit der Flügelschraube. Wenn Sie die Anschlagplatte nicht benutzen, lösen Sie die Flügelschraube, um die Anschlagplatte zur Seite zu schieben.

HINWEIS:

- Der Auflageverlängerungssatz (Sonderzubehör) ermöglicht das wiederholte Schneiden auf gleiche Längen von bis zu etwa 2 200 mm.

9. Nutenschneiden (Abb. 41)

Ein Dado-Schnitt kann folgendermaßen ausgeführt werden:

Stellen Sie die untere Grenzposition des Sägeblatts mit der Einstellschraube und dem Anschlagarm ein, um die Schnitttiefe des Sägeblatts zu begrenzen. Nehmen Sie auf den obigen Abschnitt "Anschlagarm" Bezug.

Nachdem Sie die untere Grenzposition des Sägeblatts eingestellt haben, schneiden Sie mittels Schiebesschnitt parallele Nuten über die Breite des Werkstücks, wie in der Abbildung gezeigt. Heben Sie dann das Werkstückmaterial zwischen den Nuten mit einem Stemmeisen aus.

⚠ WARNUNG:

- **Versuchen Sie nicht, derartige Schnitte mit einem breiteren Sägeblatt oder einem Dado-Sägeblatt auszuführen.** Der Versuch, einen Nutenschnitt mit einem breiteren Sägeblatt oder Dado-Sägeblatt durchzuführen, könnte zu unerwarteten Schnittergebnissen und Rückschlag führen, was schwere Verletzungen zur Folge haben könnte.
- **Stellen Sie den Anschlagarm unbedingt wieder auf die Ausgangsstellung zurück, wenn Sie andere Schnitte als Nutenschnitte ausführen.** Der Versuch, Schnitte mit dem Anschlagarm in der falschen Position durchzuführen, könnte zu unerwarteten Schnittergebnissen und Rückschlag führen, was schwere Verletzungen zur Folge haben könnte.

Tragen der Maschine (Abb. 42 und 43)

Vergewissern Sie sich, dass der Akku abgenommen ist. Sichern Sie den Sägekopf in der 0°-Neigungswinkelstellung und den Drehteller in der äußersten rechten Gehrungswinkelstellung. Sichern Sie die Gleitstangen so, dass die untere Gleitstange in der Position des vollständig zum Bediener gezogenen Schlittens verriegelt ist und die obere Gleitstange in der Position des vollständig zum Gehrungsanschlag vorgeschobenen Schlittens verriegelt sind. Senken Sie den Handgriff ganz ab, und arretieren Sie ihn in der Tiefstellung durch Hineindrücken des Anschlagstifts.

Tragen Sie die Maschine, indem Sie die Grundplatte auf beiden Seiten halten, wie in der Abbildung gezeigt. Die Maschine lässt sich bequemer tragen, wenn Auflagebügel, Staubsack usw. entfernt werden.

⚠ VORSICHT:

- Sichern Sie stets alle beweglichen Teile, bevor Sie die Maschine tragen. Falls Teile der Maschine sich beim Tragen bewegen oder verschieben, kann es zu Verlust der Kontrolle oder Balance kommen, was Verletzungen zur Folge haben kann.

⚠ WARNUNG:

- **Der Anschlagstift ist nur zum Tragen und zur Lagerung vorgesehen und sollte keinesfalls für irgendwelche Schneidarbeiten verwendet werden.** Der Gebrauch des Anschlagstifts für Schneidarbeiten kann eine unerwartete Bewegung des Sägeblatts verursachen, die zu Rückschlag und schweren Verletzungen führen kann.

WARTUNG

⚠ VORSICHT:

- Vergewissern Sie sich vor der Durchführung von Inspektions- oder Wartungsarbeiten stets, dass die Maschine ausgeschaltet und der Akku abgenommen ist.

⚠ WARNUNG:

- **Achten Sie stets darauf, dass das Sägeblatt scharf und sauber ist, um die bestmögliche und sicherste Leistung zu erzielen.** Der Versuch, einen Schnitt mit einem stumpfen und/oder verschmutzten Sägeblatt auszuführen, kann Rückschlag verursachen und zu schweren Verletzungen führen.

BEMERKUNG:

- Verwenden Sie auf keinen Fall Benzin, Benzol, Verdünner, Alkohol oder dergleichen. Solche Mittel können Verfärbung, Verformung oder Rissbildung verursachen.

Einstellen des Schnittwinkels

Diese Maschine wurde werksseitig sorgfältig eingestellt und justiert, doch grobe Behandlung kann die Justierung beeinträchtigen. Sollte Ihre Maschine einer Nachjustierung bedürfen, gehen Sie folgendermaßen vor:

1. Gehrungswinkel

Schieben Sie den Schlitten zum Gehrungsanschlag, und sichern Sie ihn durch Anziehen der zwei Klemmschrauben.

Lösen Sie den Spanngriff, mit dem der Drehteller gesichert wird. Drehen Sie dann den Drehteller, so dass der Zeiger auf 0° auf der Gehrungswinkelskala zeigt. Bewegen Sie dann den Drehteller geringfügig nach links und rechts, bis er einwandfrei in der 0°-Gehrungswinkelraste sitzt. (Lassen Sie den Drehteller unverändert, falls der Zeiger nicht auf 0° zeigt.) Lösen Sie die Innensechskantschraube, die den Gehrungsanschlag hält, mit dem Inbusschlüssel. **(Abb. 44)**

Senken Sie den Handgriff ganz ab, und arretieren Sie ihn in der Tiefstellung durch Einschieben des Anschlagstifts. Bringen Sie die Seitenfläche des Sägeblatts mit Hilfe eines Einstellendreiecks, Anschlagwinkels usw. in den rechten Winkel mit der Fläche des Gehrungsanschlags. Ziehen Sie dann die Innensechskantschraube des Gehrungsanschlags von rechts der Reihe nach fest. **(Abb. 45)**

Vergewissern Sie sich, dass der Zeiger auf 0° auf der Gehrungswinkelskala zeigt. Falls der Zeiger nicht auf 0° zeigt, lösen Sie die Halteschraube des Zeigers, und stellen Sie den Zeiger so ein, dass er auf 0° zeigt. **(Abb. 46)**

2. Neigungswinkel

1. 0°-Neigungswinkel

Schieben Sie den Schlitten zum Gehrungsanschlag, und sichern Sie ihn durch Anziehen der zwei Klemmschrauben. Senken Sie den Handgriff ganz ab, und arretieren Sie ihn in der Tiefstellung durch Einschieben des Anschlagstifts.

Lösen Sie den Hebel auf der Rückseite der Maschine.

Drehen Sie die 0°-Neigungswinkel-Einstellschraube (untere Schraube) auf der rechten Seite des Arms um zwei bis drei Umdrehungen entgegen dem Uhrzeigersinn, um das Sägeblatt nach rechts zu neigen. **(Abb. 47)**

Bringen Sie die Seitenfläche des Sägeblatts mit Hilfe eines Einstellendreiecks, Anschlagwinkels usw. in den rechten Winkel mit der Drehteller-Oberfläche, indem Sie die 0°-Neigungswinkel-Einstellschraube im Uhrzeigersinn drehen. Ziehen Sie dann den Hebel fest an. **(Abb. 48)**

Vergewissern Sie sich, dass der Zeiger am Arm auf 0° der Neigungswinkelskala am Armhalter zeigt. Falls der Zeiger nicht auf 0° zeigt, lösen Sie die Halteschraube des Zeigers, und stellen Sie den Zeiger so ein, dass er auf 0° zeigt. **(Abb. 49)**

2. 45°-Neigungswinkel

Diese Einstellung kann erst nach erfolgter Einstellung des 0°-Neigungswinkels durchgeführt werden. Zum Einstellen des linksseitigen 45°-Neigungswinkels lösen Sie den Hebel und neigen das Sägeblatt ganz nach links. Vergewissern Sie sich, dass der Zeiger am Hilfsarm auf 45° der Neigungswinkelskala am Armhalter zeigt. Falls der Zeiger nicht auf 45° zeigt, drehen Sie die 45°-Neigungswinkel-Einstellschraube (obere Schraube) auf der rechten Seite des Arms, bis der Zeiger auf 45° zeigt. **(Abb. 50)**

Auswechseln der Kohlebürsten (Abb. 51 und 52)

Die Kohlebürsten müssen regelmäßig entfernt und überprüft werden. Wenn sie bis zur Verschleißgrenze abgenutzt sind, müssen sie erneuert werden. Halten Sie die Kohlebürsten stets sauber, damit sie ungehindert in den Haltern gleiten können. Beide Kohlebürsten sollten gleichzeitig erneuert werden. Verwenden Sie nur identische Kohlebürsten.

Drehen Sie die Bürstenhalterkappen mit einem Schraubendreher heraus. Nehmen Sie die abgenutzten Kohlebürsten heraus, setzen Sie die neuen ein, und drehen Sie dann die Bürstenhalterkappen wieder ein.

Nach dem Gebrauch

- Wischen Sie nach dem Gebrauch an der Maschine haftende Späne und Staub mit einem Tuch oder dergleichen ab. Halten Sie die Schutzhaube gemäß den Anweisungen im vorhergehenden Abschnitt "Sägeblattschutzhaube" sauber. Schmieren Sie die Gleitteile der Maschine mit Öl, um Rostbildung zu verhüten.
- Den Sägekopf zur Lagerung der Maschine nach vorne ziehen, um die Linearführungen im Drehteller zu schützen.

Um die SICHERHEIT und ZUVERLÄSSIGKEIT dieses Produkts zu gewährleisten, sollten Reparaturen und andere Wartungs- oder Einstellarbeiten nur von Makita-Kundendienstzentren unter ausschließlicher Verwendung von Makita-Originalersatzteilen ausgeführt werden.

SONDERZUBEHÖR

⚠️ WARNUNG:

- Die folgenden Zubehörteile oder Vorrichtungen werden für den Einsatz mit der in dieser Anleitung beschriebenen Makita-Maschine empfohlen. Der Gebrauch anderer Zubehörteile oder Vorrichtungen kann zu schweren Verletzungen führen.
- Verwenden Sie die Makita-Zubehörteile oder -Vorrichtungen nur für ihren vorgesehenen Zweck. Fehlgebrauch eines Zubehörteils oder einer Vorrichtung kann zu schweren Verletzungen führen.

Wenn Sie weitere Einzelheiten bezüglich dieser Zubehörteile benötigen, wenden Sie sich bitte an Ihre Makita-Kundendienststelle.

- Hartmetallbestückte Sägeblätter
- Schraubstockeinheit (Horizontal-Schraubstock)
- Vertikal-Schraubstock
- Haltersatz
- Auflageplatte
- Auflageverlängerungssatz
- Halteplatte
- Staubsack
- Einstelldreieck
- Inbusschlüssel
- Verschiedene Original-Makita-Akkus und -Ladegeräte

HINWEIS:

- Manche Teile in der Liste können als Standardzubehör im Werkzeugsatz enthalten sein. Sie können von Land zu Land unterschiedlich sein.

ENG905-1

Geräusch

Typischer A-bewerteter Geräuschpegel ermittelt gemäß EN61029:

- Schalldruckpegel (L_{pA}): 88 dB (A)
- Schalleistungspegel (L_{WA}): 98 dB (A)
- Ungewissheit (K): 3 dB (A)

Gehörschutz tragen

ENG900-1

Vibration

Vibrationsgesamtwert (Drei-Achsen-Vektorsumme) ermittelt gemäß EN61029:

- Vibrationsemission (a_h): 2,5 m/s² oder weniger
- Ungewissheit (K): 1,5 m/s²

ENG901-1

- Der angegebene Vibrationsemissionswert wurde im Einklang mit der Standardprüfmethode gemessen und kann für den Vergleich zwischen Maschinen herangezogen werden.
- Der angegebene Vibrationsemissionswert kann auch für eine Vorbewertung des Gefährdungsgrads verwendet werden.

⚠️ WARNUNG:

- Die Vibrationsemission während der tatsächlichen Benutzung des Elektrowerkzeugs kann je nach der Benutzungsweise der Maschine vom angegebenen Emissionswert abweichen.

- Identifizieren Sie Sicherheitsmaßnahmen zum Schutz des Benutzers anhand einer Schätzung des Gefährdungsgrads unter den tatsächlichen Benutzungsbedingungen (unter Berücksichtigung aller Phasen des Arbeitszyklus, wie z. B. Ausschalt- und Leerlaufzeiten der Maschine zusätzlich zur Betriebszeit).

ENH003-15

Nur für europäische Länder

EG-Übereinstimmungserklärung

Makita erklärt, dass die folgende(n) Maschine(n):

Bezeichnung der Maschine:

Akku-Kapp- und Gehrungssäge

Modell-Nr./ Typ: DLS713

den folgenden europäischen Richtlinien entsprechen:

2006/42/EG

gemäß den folgenden Standards oder standardisierten Dokumenten hergestellt werden:

EN61029

Die technische Akte in Übereinstimmung mit 2006/42/EG ist erhältlich von:

Makita, Jan-Baptist Vinkstraat 2, 3070, Belgien

30.6.2014



Yasushi Fukaya
Direktor

Makita, Jan-Baptist Vinkstraat 2, 3070, Belgien

Visione generale

1	Perno di fermo	28	Leva	55	Supporto
2	Bullone	29	Bottone di rilascio	56	Gruppo supporto
3	Bullone di regolazione	30	Squadra falsa	57	Manopola morsa
4	Parte rossa	31	Braccio	58	Sporgenza
5	Bottone	32	Vite	59	Albero morsa
6	Batteria	33	Interruttore	60	Base
7	Marchio di stella	34	Bottone di sblocco	61	Barra 12
8	Protezione lama	35	Foro per lucchetto	62	Vite di fermo
9	Protezione lama A	36	Portachiave	63	Modanatura a corona a 52/38°
10	Protezione lama B	37	Chiave esagonale	64	Modanatura a corona a 45°
11	Vite con testa ad alette	38	Coperchio centrale	65	Modanatura concava a 45°
12	Piano di taglio	39	Chiave esagonale	66	Angolo interno
13	Lama	40	Bullone a esagono incassato	67	Angolo esterno
14	Denti lama	41	Coperchio di sicurezza	68	Oltre 15 mm (5/8")
15	Taglio a unghia sinistro	42	Blocco albero	69	Oltre 420 mm (16-1/2")
16	Taglio dritto	43	Freccia	70	Fori
17	Guida pezzo	44	Cassa lama	71	Piastra di fissaggio
18	Base girevole	45	Bullone a esagono incassato (sinistrorso)	72	Scanalature tagliate con lama
19	Superficie superiore base girevole	46	Flangia esterna	73	Righello triangolare
20	Periferia lama	47	Flangia interna	74	Supporto braccio
21	Vite di regolazione	48	Mandrino	75	Bullone di regolazione angolo a unghia 0°
22	Braccio di fermo	49	Sacchetto segatura	76	Bullone di regolazione angolo a unghia 45° sinistro
23	Guida pezzo secondaria	50	Bocchettone segatura	77	Segno di limite
24	Indice	51	Chiusura	78	Tappo portaspazzole
25	Squadra di taglio obliquo	52	Sostegno	79	Cacciavite
26	Leva di blocco	53	Braccio morsa		
27	Impugnatura	54	Asta morsa		

DATI TECNICI

Modello

DLS713

Diametro lama	190 mm
Spessore corpo lama	1,3 mm – 2,0 mm
Diametro foro (asse).....	20 mm
Angolo di taglio obliquo max.....	Sinistro 47°, destro 57°
Angolo di taglio a unghia max.....	Sinistro 45°, destro 5°
Capacità massima di taglio (A x L) con lama diametro 190 mm.	

Angolo di taglio obliquo	Angolo di taglio a unghia		
	45° (sinistro)	0°	5° (destro)
0°	25 mm x 300 mm	52 mm x 300 mm	40 mm x 300 mm
	—	*60 mm x 265 mm (Nota 1)	—
45° (sinistro e destro)	25 mm x 212 mm	52 mm x 212 mm	—
	—	*60 mm x 185 mm (Nota 2)	—
57° (destro)	—	52 mm x 163 mm	—
	—	*60 mm x 145 mm (Nota 3)	—

Velocità senza carico (min ⁻¹)	2.200
Dimensioni (L x A x P)	655 mm x 430 mm x 454 mm
Peso netto.....	12,7 kg
Tensione nominale	C.c. 18 V

(Nota)

Il segno * indica che viene usato uno spessore di legno dello spessore seguente.

1: Usando uno spessore di legno di 20 mm di spessore.

2: Usando uno spessore di legno di 15 mm di spessore.

3: Usando uno spessore di legno di 10 mm di spessore.

- Per il nostro programma di ricerca e sviluppo continui, i dati tecnici sono soggetti a modifiche senza avviso.
- I dati tecnici e la cartuccia batteria potrebbero differire da paese a paese.
- Peso, con batteria, secondo la Procedura EPTA 01/2003

Utilizzo previsto

Questo utensile serve ai tagli diritti e a quartabuono di precisione del legno.

GEA010-1

Avvertimenti generali per la sicurezza dell'utensile elettrico

⚠ AVVERTIMENTO Leggere tutti gli avvertimenti per la sicurezza e le istruzioni. La mancata osservanza degli avvertimenti e delle istruzioni può causare scosse elettriche, incendio e/o gravi incidenti.

Conservare tutti gli avvertimenti e le istruzioni per riferimenti futuri.

ENB118-4

AVVERTIMENTI DI SICUREZZA PER LA SEGA A SLITTA A BATTERIA

1. Tenere le mani fuori dal percorso della lama. Evitare il contatto con la lama durante il moto inerziale, perché può ancora causare lesioni gravi.
2. Controllare con cura che la lama non presenti crepe o deformazioni prima del lavoro. Sostituire immediatamente una lama danneggiata.
3. Sostituire il piano di taglio se usurato.
4. Usare soltanto le lame conformi EN847-1 specificate dal produttore.
5. Non usare lame fabbricate con acciaio ad alta velocità.
6. Portare gli occhiali di protezione.
7. Indossare la protezione delle orecchie, per ridurre il rischio della perdita dell'udito.
8. Indossare guanti adatti a maneggiare lame e oggetti ruvidi (ove possibile, le lame devono essere trasportate nell'apposita custodia).
9. Prima di usare la sega a slitta, collegarla a un dispositivo di raccolta della segatura.
10. Selezionare le lame adatte al materiale da tagliare.
11. Non usare l'utensile per tagliare materiali che non siano il legno.
12. Fissare sempre tutte le parti mobili prima di trasportare l'utensile. Per sollevare o trasportare l'utensile, non si deve usare la protezione come manico di trasporto.
13. Non usare la lama senza le protezioni in posizione. Controllare che la protezione della lama si chiuda correttamente ogni volta prima di usare l'utensile. Non usare la sega se la protezione non si muove liberamente e non si chiude istantaneamente. Mai bloccare la protezione della lama in posizione di apertura.
14. Mantenere pulito il pavimento dell'area di lavoro, e cioè senza trucioli e ritagli.
15. Usare soltanto le lame marcate per una velocità massima uguale o più alta della velocità senza carico marcata sull'utensile.
16. Se l'utensile è dotato di un laser o LED, esso non deve essere sostituito con un laser o LED di tipo diverso. Per la riparazione, rivolgersi a un centro di assistenza autorizzato.
17. Non si devono mai togliere dall'area di taglio i ritagli o altre parti del pezzo mentre l'utensile sta funzionando con la lama non protetta.

18. Non eseguire alcuna operazione senza tenere saldamente l'utensile. Il pezzo deve essere fissato saldamente contro la base girevole e la guida pezzo mediante la morsa durante tutte le operazioni. Mai tenerlo fermo con la mano.
19. Accertarsi che l'utensile sia stabile prima di ciascun taglio.
20. Se necessario, fissare l'utensile a un banco di lavoro.
21. Supportare i pezzi lunghi con supporti addizionali appropriati.
22. Non si devono mai tagliare i pezzi piccoli che non possono essere tenuti saldamente dalla morsa. I pezzi che non sono tenuti correttamente potrebbero causare contraccolpi e seri incidenti.
23. Mai avvicinare le mani alla lama in movimento.
24. Spegner l'utensile e aspettare che la lama si sia fermata prima di spostare il pezzo o di cambiare le regolazioni.
25. Staccare il cavo di alimentazione dalla presa di corrente prima di cambiare lama o di un intervento di manutenzione.
26. Il perno di fermo che blocca giù la testa troncatrice serve al trasporto e deposito soltanto, e non per le operazioni di taglio.
27. Non usare l'utensile dove ci sono liquidi o gas infiammabili. Il funzionamento elettrico dell'utensile potrebbe provocare esplosione ed incendio se esposto a liquidi o gas infiammabili.
28. Usare esclusivamente le flange specificate per questo utensile.
29. Fare attenzione a non danneggiare l'albero, le flange (soprattutto la superficie di installazione) o il bullone. Se queste parti sono danneggiate, la lama potrebbe rompersi.
30. Accertarsi che la base girevole sia fissata saldamente in modo che non si muova durante il lavoro.
31. Per motivi di sicurezza, rimuovere dalla superficie superiore della tavola i trucioli, pezzetti di materiale, ecc., prima di cominciare il lavoro.
32. Evitare di tagliare chiodi. Prima di cominciare il lavoro, controllare e togliere i chiodi dal pezzo.
33. Prima di accendere l'utensile, accertarsi di aver rilasciato il fermo dell'albero.
34. Accertarsi che la lama non faccia contatto con la base girevole nella posizione più bassa.
35. Tenere saldamente l'utensile per il manico. Tenere presente che esso si muove leggermente in su o in giù durante l'avviamento o l'arresto.
36. Accertarsi che la lama non sia a contatto con il pezzo prima di accendere l'utensile.
37. Prima di usare l'utensile, lasciarlo girare per qualche momento. Accertarsi che non ci siano vibrazioni o movimenti strani che potrebbero indicare il montaggio o bilanciamento imperfetto della lama.
38. Aspettare che la lama abbia raggiunto la velocità massima prima di cominciare a tagliare.
39. Interrompere immediatamente il lavoro se si nota qualcosa di anormale.
40. Non cercare di bloccare l'interruttore nella posizione di accensione.
41. Stare sempre all'erta, soprattutto durante le operazioni ripetitive e monotone. Non lasciarsi mai indurre a un falso senso di sicurezza. Le lame non perdonano.

42. Usare sempre gli accessori raccomandati in questo manuale. L'uso di accessori inadatti, come le ruote abrasive, potrebbe causare lesioni.
43. Fare attenzione quando si eseguono stozzature.
44. La polvere causata dall'utilizzo contiene sostanze chimiche che possono causare il cancro, difetti di nascita od altri danni agli organi di riproduzione. Alcuni tipi di questi materiali sono:
 - piombo da pittura a base di piombo
 - arsenico e cromo da legname trattato chimicamente.

Il rischio dall'esposizione a queste sostanze varia secondo la frequenza di questo tipo di lavoro. Per ridurre l'esposizione a queste sostanze chimiche: lavorare in un ambiente ben ventilato con l'attrezzatura di sicurezza specificata, come le mascherine antipolvere progettate specialmente per il filtraggio delle particelle microscopiche.
45. Per ridurre il rumore emesso, accertarsi sempre che le lame usate siano affilate e pulite.
46. L'operatore deve essere adeguatamente addestrato all'utilizzo, regolazione e funzionamento dell'utensile.

CONSERVARE QUESTE ISTRUZIONI.

⚠ AVVERTIMENTO:

NON lasciare che la comodità d'utilizzo o la familiarità con il prodotto (acquisita con l'uso ripetuto) sostituisca la stretta osservanza delle norme per la sua sicurezza. L'utilizzo SBAGLIATO o la mancata osservanza delle norme di sicurezza di questo manuale di istruzioni potrebbero causare lesioni serie.

ENC007-7

ISTRUZIONI IMPORTANTI DI SICUREZZA

PER LA CARTUCCIA DELLA BATTERIA

1. Prima di usare la cartuccia della batteria, leggere tutte le istruzioni e le avvertenze sul (1) carica-batteria, sulla (2) batteria e sul (3) prodotto che utilizza la batteria.
2. Non smontare la cartuccia della batteria.
3. Se il tempo di utilizzo è diventato molto corto, smettere immediatamente di usare l'utensile. Può risultare un rischio di surriscaldamento, possibili ustioni e addirittura un'esplosione.
4. Se l'elettrolito va negli occhi, risciacquarli con acqua pulita e rivolgersi immediatamente ad un medico. Può risultare la perdita della vista.
5. Non cortocircuitare la cartuccia della batteria:
 - (1) Non toccare i terminali con qualche metallo conduttivo.
 - (2) Evitare di conservare la cartuccia della batteria in un contenitore con altri oggetti metallici come i chiodi, le monete, ecc.
 - (3) Non esporre la cartuccia della batteria all'acqua o alla pioggia.
Un cortocircuito della batteria può causare un grande flusso di corrente, il surriscaldamento, possibili ustioni e addirittura un guasto.

6. Non conservare l'utensile e la cartuccia della batteria in luoghi in cui la temperatura può raggiungere o superare i 50°C.
7. Non incenerire la cartuccia della batteria anche se è gravemente danneggiata o è completamente esaurita. La cartuccia della batteria può esplodere e provocare un incendio.
8. Fare attenzione a non lasciar cadere o a colpire la batteria.
9. Non usare una batteria danneggiata.

CONSERVARE QUESTE ISTRUZIONI.

Suggerimenti per mantenere la durata massima della batteria

1. Caricare la cartuccia della batteria prima che si scarichi completamente.
Smettere sempre di usare l'utensile e caricare la cartuccia della batteria quando si nota che la potenza dell'utensile è diminuita.
2. Non ricaricare mai una cartuccia della batteria completamente carica. La sovraccarica riduce la durata della batteria.
3. Caricare la cartuccia della batteria con la temperatura ambiente da 10°C a 40°C. Lasciar raffreddare una cartuccia della batteria calda prima di caricarla.
4. Caricare la cartuccia della batteria una volta ogni sei mesi se non si intende usarla per un lungo periodo di tempo.

INSTALLAZIONE

Montaggio su banco

Al momento della spedizione dell'utensile, il manico viene bloccato in posizione abbassata con un perno di fermo. Liberare il perno di fermo premendo leggermente il manico verso il basso e tirando contemporaneamente il perno di fermo. (Fig. 1)

⚠ AVVERTIMENTO:

- Controllare che l'utensile non si sposti sul piano di appoggio. Il movimento della sega a slitta sul piano di appoggio durante il taglio potrebbe causare la perdita del controllo della medesima e provocare gravi lesioni personali.

L'utensile deve essere fissato con due bulloni a una superficie piana e stabile usando i fori per bulloni che si trovano sulla base. Ciò impedisce il rovesciamento dell'utensile con pericolo di lesioni. (Fig. 2)

Girare il bullone di regolazione in senso orario o antiorario in modo che faccia contatto con la superficie del pavimento, per mantenere stabile l'utensile. (Fig. 3)

DESCRIZIONE DELLE FUNZIONI

⚠ AVVERTIMENTO:

- Accertarsi sempre che l'utensile sia spento e di aver rimosso la batteria prima di regolare o di controllare le funzioni dell'utensile. Se non si spegne l'utensile e non si rimuove la batteria, si potrebbe verificare un pericoloso incidente causato dal suo avviamento accidentale.

Installazione o rimozione della batteria (Fig. 4)

- Spegnerne sempre l'utensile prima di inserire o di rimuovere la batteria.

- Per rimuovere la batteria, estrarla dall'utensile spingendo allo stesso tempo il bottone sulla parte anteriore della batteria.
- Per inserire la batteria, allineare l'appendice della batteria sulla scanalatura dell'alloggiamento, e spingerla in posizione. Inserirla sempre completamente finché si blocca in posizione con un leggero scatto. Se la parte rossa sul lato superiore del bottone è visibile, la batteria non è bloccata completamente. Inserirla completamente finché la parte rossa non è più visibile. In caso contrario, essa potrebbe cadere accidentalmente dall'utensile causando un incidente all'operatore o a chi gli è vicino.
- Per inserire la batteria non si deve usare forza. Se la batteria non entra facilmente, vuol dire che non viene inserita correttamente.

Sistema di protezione batteria (batteria agli ioni di litio con marchio di stella) (Fig. 5)

Le batterie agli ioni di litio con il marchio di una stella sono dotate di un sistema di protezione. Questo sistema interrompe automaticamente la corrente all'utensile per estendere la vita della batteria.

L'utensile si arresta automaticamente mentre funziona se esso o la batteria vengono a trovarsi in una delle condizioni seguenti:

- Sovraccarico:
L'utensile viene usato in un modo che causa un assorbimento di corrente anormalmente alto.
In tal caso, rilasciare l'interruttore sull'utensile e interrompere l'applicazione che ha causato il sovraccarico. Schiacciare poi di nuovo l'interruttore per riavviare l'utensile.
Se l'utensile non si avvia, vuol dire che la batteria è surriscaldata. In tal caso, lasciare raffreddare la batteria prima di schiacciare di nuovo l'interruttore.
- Bassa tensione della batteria:
La capacità restante della batteria è troppo bassa e l'utensile non funziona. In tal caso, rimuovere e ricaricare la batteria.

Protezione lama

Modello per i Paesi extraeuropei (Fig. 6)

Quando si abbassa il manico, la protezione della lama si solleva automaticamente. La protezione è caricata da una molla, per cui torna sulla sua posizione originale quando si solleva il manico al completamento del taglio.

⚠ AVVERTIMENTO:

- **Mai rendere inutilizzabile o rimuovere la protezione lama o la molla attaccata alla protezione.** Se la lama è esposta a causa dell'inutilizzabilità della protezione potrebbero verificarsi gravi lesioni personali durante il funzionamento.

Per la propria sicurezza, mantenere sempre la protezione della lama in buone condizioni. Qualsiasi irregolarità nel funzionamento della protezione deve essere corretta immediatamente. Accertarsi che l'azione della carica della molla faccia tornare la protezione in posizione.

⚠ AVVERTIMENTO:

- **Mai usare l'utensile con la protezione della lama o la molla danneggiata, difettosa o rimossa.** L'uso dell'utensile con la protezione danneggiata, rotta o rimossa potrebbe causare gravi lesioni personali.

Modello per i Paesi europei (Fig. 7)

Quando si abbassa il manico, la protezione della lama A si solleva automaticamente. La protezione della lama B si solleva quando fa contatto con il pezzo. Le protezioni sono caricate da una molla, per cui tornano sulle loro posizioni originali quando si solleva il manico al completamento del taglio.

⚠ AVVERTIMENTO:

- **Mai rendere inutilizzabile o rimuovere la protezione lama o la molla attaccata alla protezione.** Se la lama è esposta a causa dell'inutilizzabilità della protezione potrebbero verificarsi gravi lesioni personali durante il funzionamento.

Per la propria sicurezza, mantenere sempre in buone condizioni ciascuna protezione della lama. Qualsiasi irregolarità nel funzionamento delle protezioni della lama deve essere corretta immediatamente. Controllare l'azione di ritorno delle protezioni caricate dalla molla.

⚠ AVVERTIMENTO:

- **Mai usare l'utensile con la protezione della lama o la molla danneggiata, difettosa o rimossa.** L'uso dell'utensile con la protezione danneggiata, rotta o rimossa potrebbe causare gravi lesioni personali.

Se la protezione trasparente della lama diventa sporca, oppure se la segatura rimane attaccata ad essa in modo che la lama e/o il pezzo non sono più visibili, rimuovere la batteria e pulire con cura la protezione con uno straccio umido.

Non usare sulla protezione in plastica solventi o prodotti di pulizia a base di petrolio, poiché potrebbero danneggiarla.

Se la protezione della lama si sporca ed è necessario pulirla affinché funzioni correttamente, procedere come segue:

Con l'utensile spento e la batteria rimossa, usare la chiave esagonale in dotazione per allentare il bullone a esagono incassato che fissa il coperchio centrale. Allentare il bullone a esagono incassato girandolo in senso antiorario e sollevare la protezione lama e il coperchio centrale. (Fig. 8)

Con la protezione lama posizionata in questo modo, la pulizia può essere fatta più completamente ed efficientemente. Al completamento della pulizia, invertire il procedimento sopra e fissare il bullone. Non rimuovere la molla che fissa la protezione lama. Se la protezione è danneggiata dall'invecchiamento o dall'esposizione alla luce ultravioletta, chiedere a un centro di assistenza Makita una nuova protezione.

NON BISOGNA RENDERE INOPERANTE O RIMUOVERE LA PROTEZIONE.

Posizionamento dei piani di taglio (Figg. 9 e 10)

Questo utensile è dotato di piani di taglio nella base girevole, per minimizzare la frammentazione sul lato d'uscita del taglio. I piani di taglio sono stati regolati in fabbrica in modo che la lama non faccia contatto con essi. Prima di procedere, regolare i piani di taglio come segue:

Rimuovere per prima cosa la batteria. Allentare tutte le viti (2 su ciascun lato destro e sinistro) che fissano i piani di taglio. Stringerle di nuovo soltanto in modo che i piani di taglio possano essere facilmente mossi a mano. Abbassare completamente il manico e spingere dentro il perno di fermo per bloccarlo nella posizione abbassata. Allentare le due viti di fermo che fissano i poli di scorrimento. Tirare completamente il carrello verso di sé. Regolare i piani di taglio in modo che facciano appena contatto con i fianchi dei denti della lama. Stringere le viti anteriori (non stringerle saldamente). Spingere completamente il carrello verso la guida pezzo e regolare i piani di taglio in modo che facciano appena contatto con i fianchi dei denti della lama. Stringere le viti posteriori (non stringerle saldamente).

Dopo aver regolato i piani di taglio, rilasciare il perno di fermo e sollevare il manico. Stringere poi saldamente tutte le viti.

AVVISO:

- **Dopo aver regolato l'angolo di taglio a unghia, verificare che i piani di taglio siano regolati correttamente.** La corretta regolazione dei piani di taglio contribuisce a sostenere il pezzo minimizzandone il consumo.

Per mantenere sempre la capacità massima di taglio (Figg. 11 e 12)

Questo utensile è stato regolato in fabbrica in modo da fornire la capacità massima di taglio con le lame di 190 mm.

Rimuovere la batteria prima di cercare di fare qualsiasi regolazione. Installando una nuova lama, controllare sempre la posizione del limite inferiore della lama e, se necessario, regolarla come segue:

Rimuovere per prima cosa la batteria. Spingere completamente il carrello verso la guida pezzo e abbassare del tutto il manico. Usare la chiave esagonale per girare il bullone di regolazione finché la periferia della lama si estende leggermente sotto la superficie superiore della base girevole sul punto in cui la faccia frontale della guida pezzo incontra la superficie superiore della base girevole.

Con la batteria rimossa, ruotare la lama a mano tenendo il manico completamente abbassato per assicurarsi che la lama non faccia contatto con alcuna parte della base inferiore. Regolare di nuovo leggermente, se necessario.

⚠ AVVERTIMENTO:

- **Dopo aver installato una nuova lama e con la batteria rimossa, verificare sempre che la lama non sia in contatto con alcuna parte della base inferiore quando il manico viene abbassato completamente.** Se una lama dovesse toccare la base, potrebbe causare un contraccolpo e quindi gravi lesioni personali.

Braccio di fermo (Fig. 13)

La posizione del limite inferiore della lama può essere regolata facilmente con il braccio di fermo. Per regolarla, spostare il braccio di fermo nella direzione della freccia come mostrato in figura. Regolare la vite di regolazione in modo che la lama si fermi sulla posizione desiderata quando si abbassa completamente il manico.

Guida pezzo secondaria (soltanto per i Paesi europei) (Fig. 14)

Questo utensile è dotato della guida pezzo secondaria. Posizionare generalmente all'interno la guida pezzo secondaria. Spostarla invece all'esterno per eseguire i tagli inclinati a sinistra.

⚠ ATTENZIONE:

- Per eseguire i tagli inclinati a sinistra, spostare la guida pezzo secondaria all'esterno. In caso contrario, essa viene a contatto con la lama o una parte dell'utensile causando un possibile serio incidente all'operatore.

Regolazione dell'angolo di taglio obliquo (Fig. 15)

Allentare l'impugnatura girandola in senso antiorario. Girare la base girevole premendo giù allo stesso tempo la leva di blocco. Dopo aver spostato l'impugnatura sulla posizione in cui l'indice indica l'angolo desiderato sulla sega a quartabuono, stringere saldamente l'impugnatura girandola in senso orario.

⚠ ATTENZIONE:

- Dopo aver cambiato l'angolo di taglio obliquo, fissare sempre la base girevole stringendo saldamente l'impugnatura.

AVVISO:

- Girando la base girevole, sollevare completamente il manico.

Regolazione dell'angolo di taglio a unghia (Figg. 16 e 17)

Per regolare l'angolo di taglio a unghia, allentare la leva sulla parte posteriore dell'utensile girandola in senso antiorario.

Spingere il manico a sinistra per inclinare la lama finché l'indice indica l'angolo desiderato sulla squadra falsa. Stringere poi saldamente la leva girandola in senso orario per fissare il braccio.

Per inclinare la lama a destra, spingere il bottone di rilascio sulla parte posteriore dell'utensile inclinando allo stesso tempo leggermente la lama a sinistra dopo aver allentato la leva. Con il bottone di rilascio inserito, inclinare la lama a destra.

⚠ ATTENZIONE:

- Dopo aver cambiato l'angolo di taglio a unghia, fissare sempre il braccio stringendo la leva in senso orario.

AVVISO:

- Quando si inclina la lama della sega, controllare che il manico sia rialzato completamente.
- Cambiando gli angoli di taglio a unghia, posizionare in modo appropriato i piani di taglio come spiegato nella sezione "Posizionamento dei piani di taglio".

Regolazione della posizione della leva (Fig. 18)

La leva può essere riposizionata ad ogni angolo di 30° quando non permette il serraggio completo.

Allentare e rimuovere la vite che fissa la leva sulla parte posteriore dell'utensile. Rimuovere la leva e installarla di nuovo in modo che sia leggermente sopra il livello. Fissare saldamente la leva con la vite.

Utilizzo dell'interruttore

Modello per i Paesi europei (Fig. 19)

L'utensile è dotato di un bottone di sblocco, per evitare che l'interruttore venga schiacciato accidentalmente. Per avviare l'utensile, spingere su la leva, premere il bottone di sblocco e schiacciare poi l'interruttore. Rilasciare l'interruttore per fermarlo.

⚠ AVVERTIMENTO:

- **Prima di installare la batteria nell'utensile, accertarsi sempre che l'interruttore funzioni correttamente e che torni sulla posizione "OFF" quando viene rilasciato. Non schiacciare con forza il grilletto dell'interruttore senza premere dentro il bottone di sblocco. Ciò potrebbe causare la rottura dell'interruttore.** L'uso dell'utensile con un interruttore che non funziona correttamente potrebbe causare perdita di controllo e gravi lesioni personali.

È presente un foro nel grilletto interruttore per l'inserimento di un lucchetto, in modo da bloccare lo strumento in condizione di spegnimento.

Modello per i Paesi extraeuropei (Fig. 20)

L'utensile è dotato di un bottone di sblocco, per evitare che l'interruttore venga schiacciato accidentalmente. Per avviare l'utensile, premere dentro il bottone di sblocco e schiacciare l'interruttore. Rilasciare l'interruttore per fermarlo.

⚠ AVVERTIMENTO:

- **Prima di installare la batteria nell'utensile, accertarsi sempre che l'interruttore funzioni correttamente e che torni sulla posizione "OFF" quando viene rilasciato. Non schiacciare con forza il grilletto dell'interruttore senza premere dentro il bottone di sblocco. Ciò potrebbe causare la rottura dell'interruttore.** L'uso dell'utensile con un interruttore che non funziona correttamente potrebbe causare perdita di controllo e gravi lesioni personali.

È presente un foro nel grilletto interruttore per l'inserimento di un lucchetto, in modo da bloccare lo strumento in condizione di spegnimento.

⚠ AVVERTIMENTO:

- **Non utilizzare un lucchetto con diametro del gambo o del cavo inferiore a 6,35 mm (1/4").** Un gambo o cavo più piccolo potrebbe non bloccare correttamente l'utensile nella posizione di spento e il funzionamento accidentale potrebbe provocare gravi lesioni personali.
- **MAI usare l'utensile quando il grilletto dell'interruttore non è completamente funzionale.** Qualsiasi utensile con l'interruttore guasto è MOLTO PERICOLOSO e deve essere riparato prima di poter continuare ad usare l'utensile, diversamente potrebbe provocare gravi lesioni personali.
- Per la sicurezza dell'operatore, l'utensile è dotato di un bottone di sblocco che ne impedisce l'avvio accidentale. MAI usare l'utensile se esso si avvia quando si schiaccia semplicemente il grilletto dell'interruttore senza premere il bottone di sblocco. Un interruttore da riparare potrebbe causare funzionamento accidentale e quindi gravi lesioni personali. Portare l'utensile al centro di assistenza Makita per la riparazione PRIMA di continuare a usarlo.
- MAI rendere inutile il bottone di sblocco fissandolo con del nastro adesivo o in altro modo. Un interruttore il cui bottone di sblocco è stato reso inutile potrebbe causare funzionamento accidentale e gravi lesioni personali.

MONTAGGIO

⚠ AVVERTIMENTO:

- **Accertarsi sempre che l'utensile sia spento e che la batteria sia stata rimossa prima di qualsiasi intervento sull'utensile.** Se l'utensile non viene spento e la batteria non rimossa, potrebbero verificarsi gravi lesioni personali.

Conservazione della chiave esagonale (Fig. 21)

La chiave esagonale si trova dove indicato nella figura. Quando serve la chiave esagonale, tirarla fuori dal portachiave.

Dopo aver usato la chiave esagonale, rimetterla a posto nel portachiave.

Installazione o rimozione della lama

⚠ AVVERTIMENTO:

- **Accertarsi sempre che l'utensile sia spento e di aver rimosso la batteria prima di installare o di rimuovere la lama.** L'avviamento accidentale dell'utensile potrebbe causare gravi lesioni personali.

⚠ ATTENZIONE:

- Per installare o rimuovere la lama, usare soltanto la chiave esagonale Makita in dotazione. In caso contrario, si potrebbe causare il serraggio eccessivo o insufficiente del bullone a esagono incassato. Ciò può causare lesioni.

Bloccare il manico in posizione sollevata spingendo dentro il perno di fermo. (Fig. 22)

Per rimuovere la lama, usare la chiave esagonale per allentare il bullone esagonale che fissa il coperchio centrale girandolo in senso antiorario. Sollevare la protezione lama e il coperchio centrale. (Fig. 23)

Premere il blocco albero per bloccare il mandrino, e usare la chiave esagonale per allentare il bullone a esagono incassato in senso orario. Rimuovere poi il bullone a esagono incassato, la flangia esterna e la lama. (Fig. 24)

NOTA:

- Quando si rimuove la flangia interna, fare attenzione a installarla sul mandrino con la sua sporgenza rivolta nella direzione opposta alla lama. Se la flangia è installata in modo errato, striscerà contro l'utensile.

Per installare la lama, montarla con cura sul mandrino controllando che la direzione della freccia della lama sia rivolta nella stessa direzione della freccia sulla cassa della lama. Installare la flangia esterna e il bullone a esagono incassato, e usare poi la chiave esagonale per stringere saldamente il bullone a esagono incassato (sinistrorso) in senso antiorario premendo allo stesso tempo il blocco albero.

Rimettere la protezione e il coperchio centrale sulla loro posizione originale. Stringere poi il bullone a esagono incassato in senso orario per fissare il coperchio centrale. Rilasciare il manico dalla posizione sollevata tirando il perno di fermo. Abbassare il manico per controllare che la protezione lama si muova correttamente. Accertarsi che il blocco albero abbia rilasciato il mandrino prima di eseguire il taglio. (Fig. 25 e 26)

Sacchetto segatura (accessorio) (Fig. 27)

Per attaccare la chiusura, allineare l'estremità superiore della chiusura sul segno triangolare del sacchetto segatura.

L'utilizzo del sacchetto segatura rende più pulite le operazioni di taglio e più facile la raccolta della segatura. Per attaccare il sacchetto segatura, montarlo sul bocchettone segatura.

Quando il sacchetto segatura è quasi pieno a metà, rimuoverlo dall'utensile e tirar fuori la chiusura. Svuotare il sacchetto segatura dandogli dei leggeri colpetti, in modo da rimuovere le particelle attaccate all'interno che potrebbero ostacolare la raccolta ulteriore della segatura.

NOTA:

- Collegando un aspiratore alla sega, si possono eseguire operazioni più e pulite.

Fissaggio del pezzo (Fig. 28)

⚠ AVVERTIMENTO:

- **È estremamente importante fissare sempre correttamente il pezzo utilizzando una morsa di tipo adatto.** Diversamente potrebbero verificarsi gravi lesioni personali e danneggiamento dell'utensile e/o del pezzo.
- **Dopo un'operazione di taglio, non sollevare la lama finché non si è arrestata completamente.** Se viene sollevata la lama in moto inerziale, potrebbero verificarsi gravi lesioni personali e danneggiamento del pezzo.
- **Quando si taglia un pezzo che è più lungo della base di supporto della sega, il pezzo dovrebbe essere sostenuto per tutta la lunghezza che sporge dalla base di supporto e mantenuto alla stessa altezza in modo che sia in piano.** Sostenere correttamente il pezzo contribuisce ad evitare che la lama rimanga incastrata e possibili contraccolpi che potrebbero provocare gravi lesioni personali. Per fissare il pezzo, non fare affidamento soltanto sulla base verticale e/o orizzontale. I pezzi sottili tendono a incurvarsi. Supportare il pezzo per l'intera sua lunghezza per evitare che la lama rimanga incastrata, e possibili CONTRACCOLPI.

Morsa verticale (Fig. 29)

La morsa verticale può essere installata in due posizioni, sul lato destro o sinistro della guida pezzo o del gruppo supporto (accessorio opzionale). Inserire l'asta morsa nel foro della guida pezzo o del gruppo supporto, e stringere la vite per fissare l'asta morsa.

Posizionare il braccio morsa secondo lo spessore e la forma del pezzo, e fissare il braccio morsa stringendo la vite. Se la vite per fissare il braccio morsa fa contatto con la guida pezzo, installare la vite sul lato opposto del braccio morsa. Accertarsi che nessuna parte dell'utensile faccia contatto con la morsa quando si abbassa completamente il manico e tirando o spingendo del tutto il carrello. Se una qualche parte fa contatto con la morsa, riposizionare la morsa.

Premere il pezzo piatto contro la guida pezzo e la base girevole. Posizionare il pezzo sulla posizione di taglio desiderata e fissarlo saldamente stringendo la manopola morsa.

⚠ AVVERTIMENTO:

- **Il pezzo deve essere fissato saldamente contro la base girevole e la guida pezzo con la morsa durante tutte le operazioni.** Se il pezzo non è correttamente fissato contro la guida, potrebbe muoversi durante il taglio e provocare danni alla lama, quindi si potrebbe perdere il controllo del pezzo con il lancio dello stesso e conseguenti gravi lesioni personali.

Morsa orizzontale (accessorio opzionale)

(Fig. 30)

La morsa orizzontale può essere installata sul lato sinistro della base. Girando la manopola morsa in senso antiorario si rilascia la vite e l'albero morsa può essere spostato rapidamente dentro o fuori. Quando si gira la manopola morsa in senso orario, la vite rimane fissata. Per stringere il pezzo, girare delicatamente la manopola morsa in senso orario finché la sporgenza raggiunge la sua posizione più alta, e stringere poi saldamente. Se si forza dentro la manopola morsa o la si tira fuori mentre viene girata in senso orario, la sporgenza potrebbe arrestarsi inclinata. In tal caso, girare la manopola morsa indietro in senso antiorario finché la vite viene rilasciata prima di girarla di nuovo delicatamente in senso orario. La larghezza massima del pezzo che può essere fissato con la morsa orizzontale è di 120 mm.

⚠ AVVERTIMENTO:

- **Stringere il pezzo soltanto quando la sporgenza si trova sulla sua posizione più alta.** In caso contrario, il pezzo potrebbe venire stretto insufficientemente. Ciò potrebbe causare l'espulsione del pezzo, danneggiare la lama o causare una perdita di controllo con pericolo di LESIONI PERSONALI.

Supporti e gruppo supporti (accessori opzionali)

(Fig. 31 e 32)

I supporti e il gruppo supporti possono essere installati su entrambi i lati, come comodo modo di supportare orizzontalmente i pezzi. Installarli come mostrato in figura. Stringere poi saldamente le viti per fissare i supporti e il gruppo supporti.

Per tagliare i pezzi lunghi, usare il gruppo barre supporti (accessorio opzionale). Esso consiste di due gruppi supporti e di due barre 12.

⚠ AVVERTIMENTO:

- **Sostenere sempre i pezzi lunghi in modo che siano paralleli alla superficie superiore della base girevole per tagliare con precisione ed evitare di perdere pericolosamente il controllo dell'utensile.** Sostenere correttamente il pezzo contribuisce ad evitare che la lama rimanga incastrata e possibile contraccolpo che potrebbe provocare gravi lesioni personali.

UTILIZZO DELL'UTENSILE

AVVISO:

- Prima dell'uso, rilasciare il manico dalla posizione abbassata tirando il perno di fermo.
- Non esercitare una pressione eccessiva sul manico durante il taglio. La forza eccessiva può causare il sovraccarico del motore e/o una diminuzione dell'efficienza di taglio. Spingere giù il manico soltanto con la forza necessaria a un taglio scorrevole senza notevole riduzione della velocità della lama.
- Premere giù delicatamente il manico per eseguire il taglio. Se si preme giù con forza il manico o si applica una pressione laterale, la lama vibra lasciando un segno sul pezzo (segno della lama), e la precisione del taglio viene compromessa.
- Durante un taglio a scorrimento, spingere il carrello verso la guida pezzo senza fermarsi. Se il movimento del carrello si interrompe durante il taglio, sul pezzo viene lasciato un segno e la precisione del taglio viene compromessa.

⚠ AVVERTIMENTO:

- **Prima di accendere l'utensile, accertarsi che la lama non faccia contatto con il pezzo, ecc.** L'accensione dell'utensile con la lama in contatto con il pezzo potrebbe causare contraccolpo e gravi lesioni personali.

1. Taglio con pressione (taglio dei pezzi piccoli) (Fig. 33)

I pezzi fino a 52 mm di altezza e 97 mm di larghezza possono essere tagliati nel modo seguente.

Spingere completamente il carrello verso la guida pezzo, e stringere in senso orario le due viti di fermo che fissano i poli di scorrimento per bloccare il carrello. Fissare il pezzo utilizzando una morsa di tipo adatto. Accendere l'utensile senza che la lama faccia contatto con il pezzo, e aspettare finché raggiunge la velocità massima prima di abbassarla. Abbassare poi delicatamente il manico sulla posizione completamente abbassata per tagliare il pezzo. Al completamento del taglio, spegnere l'utensile e ASPETTARE CHE LA LAMA SI SIA COMPLETAMENTE ARRESTATO prima di rimetterla sulla sua posizione di elevazione massima.

⚠ AVVERTIMENTO:

- **Stringere saldamente in senso orario le due viti di fermo che fissano i poli di scorrimento, in modo che il carrello non si muova durante il funzionamento.** Se la vite di fissaggio non è serrata abbastanza, potrebbe verificarsi un contraccolpo e quindi gravi lesioni personali.

2. Taglio a scorrimento (spinta) (taglio di pezzi larghi) (Fig. 34)

Allentare in senso antiorario le due viti di fermo che fissano i poli di scorrimento, in modo che il carrello possa scorrere liberamente. Fissare il pezzo utilizzando una morsa di tipo adatto. Tirare completamente il carrello verso di sé. Accendere l'utensile senza che la lama faccia contatto con il pezzo, e aspettare finché raggiunge la massima velocità. Premere giù il manico e SPINGERE IL CARRELLO VERSO LA GUIDA PEZZO E ATTRAVERSO IL PEZZO. Al completamento del taglio, spegnere l'utensile e ASPETTARE CHE LA LAMA SI SIA COMPLETAMENTE ARRESTATO prima di rimetterla sulla sua posizione di elevazione massima.

⚠ AVVERTIMENTO:

- **Durante il taglio con scorrimento, innanzi tutto tirare completamente verso di sé il carrello e premere completamente verso il basso il manico, quindi spingere il carrello verso la guida pezzo. Non iniziare mai a tagliare se il carrello non è completamente tirato verso di sé.** Se si effettua il taglio con scorrimento senza aver tirato completamente verso di sé il carrello, potrebbe verificarsi un improvviso contraccolpo, provocando gravi lesioni personali.
- **Non tentare mai di effettuare un taglio con scorrimento tirando il carrello verso di sé.** Tirando il carrello verso di sé durante il taglio si potrebbe causare un improvviso contraccolpo e quindi gravi lesioni personali.
- Mai eseguire i tagli con scorrimento con il manico bloccato in posizione abbassata premendo il perno di fermo.
- **Mai allentare la manopola che fissa il carrello mentre la lama gira.** Se il carrello è libero durante il taglio, potrebbe provocare un improvviso contraccolpo e quindi gravi lesioni personali.

3. Taglio obliquo

Riferirsi alla sezione "Regolazione dell'angolo di taglio obliquo" più indietro nel testo.

4. Taglio a unghia (Fig. 35)

Allentare la leva e inclinare la lama per regolare l'angolo di taglio a unghia. (Riferirsi alla sezione "Regolazione dell'angolo di taglio a unghia" più indietro nel testo.) Stringere di nuovo saldamente la leva per fissare l'angolo di taglio a unghia selezionato. Fissare il pezzo con una morsa. Accertarsi che il carrello sia tirato completamente indietro verso di sé. Accendere l'utensile senza che la lama faccia contatto con il pezzo, e aspettare finché raggiunge la velocità massima. Abbassare poi delicatamente il manico sulla posizione completamente abbassata esercitando una pressione parallelamente alla lama, e SPINGERE IL CARRELLO VERSO LA GUIDA PEZZO PER TAGLIARE IL PEZZO. Al completamento del taglio spegnere l'utensile e ASPETTARE CHE LA LAMA SI SIA FERMATA COMPLETAMENTE prima di rimetterla sulla sua posizione di elevazione massima.

⚠ AVVERTIMENTO:

- **Dopo aver regolato la lama per un taglio a unghia, prima di utilizzare l'utensile verificare che il carrello e la lama abbiano corsa libera per tutta la lunghezza del taglio che si intende effettuare.** L'arresto del carrello o della lama nella corsa durante il taglio potrebbe causare un contraccolpo e quindi gravi lesioni personali.
- **Quando si effettua un taglio a unghia, tenere le mani lontano dal percorso della lama.** L'angolo della lama potrebbe ingannare l'operatore per quanto riguarda l'effettiva corsa della lama durante il taglio e il contatto con la lama provocherebbe gravi lesioni personali.
- **La lama non deve essere sollevata finché non si è arrestata completamente.** Durante un taglio a unghia il materiale tagliato potrebbe appoggiarsi alla lama. Se la lama viene sollevata mentre gira, il materiale tagliato potrebbe venire lanciato in frammenti dalla lama che potrebbero provocare gravi lesioni personali.

AVVISO:

- Quando si preme giù il manico, esercitare la pressione parallelamente alla lama. Se la si esercita perpendicolarmente alla base girevole, oppure se si cambia la direzione della pressione durante il taglio, la precisione del taglio viene compromessa.

⚠ ATTENZIONE:

- Sistemare sempre la guida pezzo secondaria all'esterno per eseguire i tagli inclinati a sinistra (soltanto per i Paesi europei).

5. Taglio composito

Il taglio composito è il processo in cui sul pezzo viene fatto un taglio a unghia contemporaneamente a un taglio obliquo. Il taglio composito può essere eseguito all'angolo mostrato nella tabella.

Angolo di taglio obliquo	Angolo di taglio a unghia
Destro e Sinistro 45°	Sinistro 0° – 45°
Destro 50°	Sinistro 0° – 40°
Destro 55°	Sinistro 0° – 30°
Destro 57°	Sinistro 0° – 25°

006393

Per l'esecuzione del taglio composito, riferirsi alle altre sezioni "Taglio con pressione", "Taglio a scorrimento", "Taglio obliquo" e "Taglio a unghia".

Misurazioni

Misurare la lunghezza della parete e regolare il pezzo sul tavolo per tagliare il bordo di contatto con la parete alla lunghezza desiderata. Assicurarsi sempre che la lunghezza del pezzo tagliato **nella parte posteriore del pezzo** sia la stessa della lunghezza della parete. Regolare la lunghezza del taglio per l'angolo di taglio. Utilizzare sempre svariati pezzi per tagli di prova, in modo da controllare gli angoli della sega.

Quando si eseguono tagli per modanature a corona e concave, impostare l'angolo di taglio a unghia e l'angolo di taglio obliquo come indicato nella tabella (A), quindi posizionare le modanature sulla superficie superiore della base della sega, come indicato nella tabella (B).

Nel caso di taglio a unghia a sinistra

Tabella (A)

	Posizione di modanatura nelle Figg. 37 e 38	Angolo di taglio a unghia		Angolo di taglio obliquo	
		Tipo a 52/38°	Tipo a 45°	Tipo a 52/38°	Tipo a 45°
Per l'angolo interno	(1)	33,9° a sinistra	30° a sinistra	31,6° a destra	35,3° a destra
	(2)			31,6° a sinistra	35,3° a sinistra
Per l'angolo esterno	(3)			31,6° a destra	35,3° a destra
	(4)			31,6° a destra	35,3° a destra

006361

Tabella (B)

	Posizione di modanatura nelle Figg. 37 e 38	Bordo della modanatura appoggiato contro la guida pezzo	Pezzo finito
Per l'angolo interno	(1)	Il bordo di contatto con il soffitto deve essere appoggiato contro la guida pezzo.	Il pezzo finito si troverà sul lato sinistro della lama.
	(2)	Il bordo di contatto con la parete deve essere appoggiato contro la guida pezzo.	
Per l'angolo esterno	(3)	Il bordo di contatto con il soffitto deve essere appoggiato contro la guida pezzo.	Il pezzo finito si troverà sul lato destro della lama.
	(4)	Il bordo di contatto con il soffitto deve essere appoggiato contro la guida pezzo.	

006362

Esempio:

Nel caso del taglio di una modanatura di tipo a corona a 52/38° per la posizione (1) nelle **Figg. 37 e 38**:

- Inclinare e fissare l'impostazione dell'angolo di taglio a unghia su 33,9° a SINISTRA.
- Regolare e fissare l'impostazione dell'angolo di taglio obliquo su 31,6° a DESTRA.
- Disporre la modanatura a corona con la sua superficie posteriore ampia (nascosta) appoggiata sulla base girevole con il suo BORDO DI CONTATTO CON IL SOFFITTO appoggiato contro la guida pezzo sulla sega.
- Il pezzo finito da utilizzare si troverà sempre sul lato SINISTRO della lama dopo aver effettuato il taglio.

Nel caso di taglio a unghia a destra

Tabella (A)

	Posizione di modanatura nelle Figg. 37 e 38	Angolo di taglio a unghia		Angolo di taglio obliquo	
		Tipo a 52/38°	Tipo a 45°	Tipo a 52/38°	Tipo a 45°
Per l'angolo interno	(1)	33,9° a destra	30° a destra	31,6° a destra	35,3° a destra
	(2)			31,6° a sinistra	35,3° a sinistra
Per l'angolo esterno	(3)			31,6° a destra	35,3° a destra
	(4)			31,6° a destra	35,3° a destra

006363

Tabella (B)

	Posizione di modanatura nelle Figg. 37 e 38	Bordo della modanatura appoggiato contro la guida pezzo	Pezzo finito
Per l'angolo interno	(1)	Il bordo di contatto con la parete deve essere appoggiato contro la guida pezzo.	Il pezzo finito si troverà sul lato destro della lama.
	(2)	Il bordo di contatto con il soffitto deve essere appoggiato contro la guida pezzo.	
Per l'angolo esterno	(3)	Il bordo di contatto con la parete deve essere appoggiato contro la guida pezzo.	Il pezzo finito si troverà sul lato sinistro della lama.
	(4)	Il bordo di contatto con la parete deve essere appoggiato contro la guida pezzo.	

006364

Esempio:

Nel caso del taglio di una modanatura di tipo a corona a 52/38° per la posizione (1) nelle **Figg. 37 e 38**:

- Inclinare e fissare l'impostazione dell'angolo di taglio a unghia su 33,9° a DESTRA.
- Regolare e fissare l'impostazione dell'angolo di taglio obliquo su 31,6° a DESTRA.
- Disporre la modanatura a corona con la sua superficie posteriore ampia (nascosta) appoggiata sulla base girevole con il suo BORDO DI CONTATTO CON LA PARETE appoggiato contro la guida pezzo sulla sega.
- Il pezzo finito da utilizzare si troverà sempre sul lato DESTRO della lama dopo aver effettuato il taglio.

7. Spessore di legno (Fig. 39)

L'impiego di uno spessore di legno assicura il taglio senza schegge del pezzo. Attaccare lo spessore di legno alla guida pezzo usando i fori della guida pezzo.

Per lo spessore di legno consigliato, riferirsi alla tabella delle dimensioni.

⚠ ATTENZIONE:

- Come spessore di legno, usare un legno diritto di spessore uniforme.

⚠ AVVERTIMENTO:

Usare delle viti per attaccare lo spessore alla guida pezzo. Le viti devono essere installate in modo che le teste delle viti vengano a trovarsi sotto la superficie dello spessore, in modo che non interferiscano con il posizionamento del materiale che viene tagliato. Il disallineamento del materiale che viene tagliato può causare uno spostamento inaspettato durante l'operazione di taglio, che potrebbe provocare una perdita di controllo e un pericoloso incidente.

AVVISO:

Quando si attacca lo spessore di legno, non girare la base girevole con il manico abbassato. La lama e/o lo spessore di legno vengono danneggiati.

8. Tagli ripetuti della stessa lunghezza (Fig. 40)

Per tagliare diversi pezzi della stessa lunghezza dai 220 mm ai 385 mm, l'impiego della piastra di regolazione (accessorio opzionale) rende il lavoro più efficiente. Installare la piastra di regolazione sul supporto (accessorio opzionale) come mostrato nella illustrazione.

Allineare la linea di taglio sul pezzo con il lato destro o sinistro della scanalatura sul piano di taglio e, tenendo fermo il pezzo in modo che non si muova, spostare la piastra di regolazione a raso contro l'estremità del pezzo. Fissare poi la piastra di regolazione con la vite. Quando non si usa la piastra di regolazione, allentare la vite e spostarla in modo che non interferisca con il lavoro.

NOTA:

- L'impiego del gruppo barre supporti (accessorio opzionale) permette di fare tagli ripetuti della stessa lunghezza di un massimo di 2.200 mm circa.

9. Taglio scanalato (Fig. 41)

Si possono eseguire tagli di tipo a zoccolo procedendo come segue:

Regolare la posizione del limite inferiore della lama usando la vite di regolazione e il braccio di fermo, per limitare la profondità di taglio della lama. Riferirsi alla sezione "Braccio di fermo" più indietro nel testo.

Dopo aver regolato la posizione di limite inferiore della lama, tagliare scanalature parallele lungo la larghezza del pezzo usando il taglio a scorrimento (spinta), come mostrato nella illustrazione. Rimuovere poi il materiale del pezzo tra le scanalature con uno scalpello.

⚠ AVVERTIMENTO:

- **Non tentare di effettuare questo tipo di taglio usando una lama di tipo più largo o lama per zoccoli.** Il tentativo di effettuare un taglio scanalato con una lama più larga o lama per zoccoli potrebbe dare risultati inattesi e contraccolpo, provocando quindi gravi lesioni personali.
- **Rimettere il braccio di fermo sulla sua posizione originale quando si eseguono tagli diversi da quelli scanalati.** Il tentativo di tagliare con il braccio di fermo in posizione errata potrebbe dare risultati di taglio inattesi e contraccolpo, provocando quindi gravi lesioni personali.

Trasporto dell'utensile (Fig. 42 e 43)

Accertarsi di aver rimosso la batteria. Fissare la lama all'angolo di taglio a unghia di 0° e girare la base girevole completamente nella posizione di angolo di taglio a quartabuono a destra. Fissare i poli di scorrimento in modo che il polo di scorrimento inferiore sia bloccato nella posizione del carrello tirato completamente verso di sé dall'operatore, e i poli superiori siano bloccati nella posizione del carrello completamente spinto in avanti fino alla guida pezzo. Abbassare completamente il manico e bloccarlo sulla posizione abbassata spingendo dentro il perno di fermo.

Trasportare l'utensile tenendo entrambi i lati della base, come mostrato nella illustrazione. Rimuovendo i supporti, il sacchetto segatura, ecc., l'utensile può essere trasportato più facilmente.

⚠ ATTENZIONE:

- Fissare sempre tutte le parti mobili prima di trasportare l'utensile. Se delle parti dell'utensile si spostano o scorrono durante il trasporto, l'eventuale perdita di controllo o del bilanciamento del pezzo potrebbe causare lesioni personali.

AVVERTIMENTO:

- **Il perno di fermo serve soltanto al trasporto e all'immagazzinaggio dell'utensile, e non deve mai essere usato per le operazioni di taglio.** L'utilizzo del perno di fermo per le operazioni di taglio potrebbe causare un movimento inaspettato della lama che potrebbe provocare un contraccolpo e un pericoloso incidente.

MANUTENZIONE

ATTENZIONE:

- Accertarsi sempre che l'utensile sia spento e che la batteria sia stata rimossa prima dell'intervento di ispezione o manutenzione.

AVVERTIMENTO:

- **Per le prestazioni migliori e la massima sicurezza, accertarsi sempre che la lama sia affilata e pulita.** Il tentativo di tagliare con una lama non affilata e/o sporca potrebbe causare contraccolpo e gravi lesioni personali.

AVVISO:

- Mai usare benzina, benzene, solventi, alcol e altre sostanze simili. Potrebbero causare scolorimenti, deformazioni o crepe.

Regolazione dell'angolo di taglio

Questo utensile è stato regolato e allineato con cura in fabbrica, ma se è stato trattato male, potrebbe essersi disallineato. Se non è allineato correttamente, procedere come segue:

1. Angolo di taglio obliquo

Spingere il carrello verso la guida pezzo e stringere le due viti di fermo per fissarlo.

Allentare l'impugnatura che fissa la base girevole. Girare la base girevole in modo che l'indice indichi 0° sulla squadra di taglio obliquo. Girare poi leggermente la base girevole in senso orario e antiorario per assestarla nella tacca di taglio obliquo di 0°. (Lasciarla com'è se l'indice non indica 0°.) Allentare il bullone a esagono incassato che fissa la guida pezzo usando la chiave esagonale. **(Fig. 44)**

Abbassare completamente il manico e bloccarlo spingendo dentro il perno di fermo. Squadrare il lato della lama con la faccia della guida pezzo usando un righello triangolare, squadra di riscontro, ecc. Stringere poi saldamente in successione dal lato destro il bullone a esagono incassato sulla guida pezzo. **(Fig. 45)**

Accertarsi che l'indice indichi 0° sulla scala di taglio obliquo. Se l'indice non indica 0°, allentare la vite che fissa l'indice e regolare l'indice in modo che indichi 0°. **(Fig. 46)**

2. Angolo di taglio a unghia

1. Angolo di taglio a unghia di 0°

Spingere il carrello verso la guida pezzo e stringere le due viti di fermo per fissarlo. Abbassare completamente il manico e bloccarlo spingendo dentro il perno di fermo.

Allentare la leva sulla parte posteriore dell'utensile. Girare di due o tre giri in senso antiorario il bullone di regolazione angolo di taglio a unghia di 0° (bullone inferiore) sul lato destro del braccio per inclinare la lama a destra. **(Fig. 47)**

Squadrate con cura il lato della lama con la superficie superiore della base girevole usando il righello triangolare, squadra di riscontro, ecc., girando in senso orario il bullone di regolazione angolo di taglio a unghia di 0°. Stringere poi saldamente la leva. **(Fig. 48)**

Accertarsi che l'indice sul braccio indichi 0° sulla squadra falsa sul supporto braccio. Se non indica 0°, allentare la vite che fissa l'indice e regolare l'indice in modo che indichi 0°. **(Fig. 49)**

2. Angolo di taglio a unghia di 45°

Regolare l'angolo di taglio a unghia di 45° soltanto dopo aver eseguito la regolazione dell'angolo di taglio a unghia di 0°. Per regolare l'angolo di taglio a unghia di 45° a sinistra, allentare la leva e inclinare completamente la lama a sinistra. Accertarsi che l'indice del braccio indichi 45° sulla squadra falsa sul supporto braccio. Se l'indice non indica 45°, girare il bullone di regolazione angolo di taglio a unghia di 45° (bullone superiore) sul lato destro del braccio finché l'indice indica 45°. **(Fig. 50)**

Sostituzione delle spazzole di carbone

(Figg. 51 e 52)

Rimuovere e ispezionare regolarmente le spazzole di carbone. Sostituirle quando sono consumate fino al limite di usura. Mantenere pulite le spazzole di carbone, che devono potersi muovere liberamente nel portaspazzole. Le spazzole di carbone vanno sostituite entrambe allo stesso tempo. Usare soltanto spazzole di carbone identiche.

Per rimuovere le toppe portaspazzole, usare un cacciavite. Togliere le spazzole usurate, inserire le nuove e fissare i tappi del portaspazzole.

Dopo l'uso

- Dopo l'uso, togliere i trucioli e la segatura attaccati all'utensile con un panno o uno straccio. Mantenere pulita la protezione della lama facendo riferimento alle spiegazioni di "Protezione lama". Oliare le parti mobili con un lubrificante antigiruggine.
- Se si immagazzina l'utensile, tirare il carrello completamente verso di sé in modo che i pali di scorrimento siano inseriti del tutto all'interno della base girevole.

Per preservare la SICUREZZA e l'AFFIDABILITÀ del prodotto, le riparazioni e qualsiasi altro intervento di manutenzione e di regolazione devono essere eseguiti da un centro di assistenza Makita autorizzato, usando ricambi Makita.

⚠ AVVERTIMENTO:

- In questo manuale si consiglia di usare questi accessori o ricambi Makita. L'uso di qualsiasi altro accessorio o ricambio può causare gravi lesioni personali.
- Usare accessori o ricambi Makita unicamente per lo scopo specificato. L'uso errato di un accessorio o ricambio potrebbe causare gravi lesioni personali.

Per maggiori dettagli riguardo a questi accessori, rivolgersi a un centro di assistenza Makita.

- Lame al carburo
- Gruppo morsa (morsa orizzontale)
- Morsa verticale
- Set supporti
- Gruppo supporti
- Gruppo barre supporti
- Piastra di regolazione
- Sacchetto segatura
- Righello triangolare
- Chiave esagonale
- Vari tipi di batterie e caricatori genuini Makita

NOTA:

- Alcuni articoli nella lista potrebbero essere inclusi nell'imballo dell'utensile come accessori standard. Essi potrebbero differire da Paese a Paese.

ENG905-1

Rumore

Il tipico livello di rumore pesato A determinato secondo EN61029:

Livello pressione sonora (L_{pA}): 88 dB (A)

Livello potenza sonora (L_{WA}): 98 dB (A)

Incertezza (K): 3 dB (A)

Indossare i paraorecchi

ENG900-1

Vibrazione

Il valore totale di vibrazione (somma vettore triassiale) determinato secondo EN61029:

Emissione di vibrazione (a_h): 2,5 m/s² o meno

Incertezza (K): 1,5 m/s²

ENG901-1

- Il valore di emissione delle vibrazioni dichiarato è stato misurato conformemente al metodo di test standard, e può essere usato per paragonare un utensile con un altro.
- Il valore di emissione delle vibrazioni dichiarato può anche essere usato per una valutazione preliminare dell'esposizione.

⚠ AVVERTIMENTO:

- L'emissione delle vibrazioni durante l'uso reale dell'utensile elettrico può differire dal valore di emissione dichiarato a seconda dei modi in cui viene usato l'utensile.
- Identificare le misure di sicurezza per la protezione dell'operatore basate sulla stima dell'esposizione nelle condizioni reali d'utilizzo (tenendo presente tutte le parti del ciclo operativo, come le volte in cui l'utensile viene spento e quando gira a vuoto, oltre al tempo di funzionamento).

Modello per l'Europa soltanto**Dichiarazione CE di conformità****Makita dichiara che la macchina seguente:**

Designazione della macchina:

Sega composta a slitta a batteria

Modello No./ Tipo: DLS713

conformi alle direttive europee seguenti:

2006/42/CE

È stata fabbricata in conformità allo standard e ai documenti standardizzati seguenti:

EN61029

La documentazione tecnica conforme 2006/42/CE è disponibile da:

Makita, Jan-Baptist Vinkstraat 2, 3070, Belgio

30.6.2014



Yasushi Fukaya
Amministratore

Makita, Jan-Baptist Vinkstraat 2, 3070, Belgio

Verklaring van algemene gegevens

1 Aanslagen	30 Schuine-hoek schaal	58 Uitsteeksel
2 Bout	31 Arm	59 Spanschroefas
3 Stelbout	32 Schroef	60 Voetstuk
4 Rode deel	33 Trekschakelaar	61 Stang 12
5 Knop	34 Ontgrendelknop	62 Klemschroef
6 Accu	35 Gat voor hangslot	63 Kroon-profiellijst met een wand- hoek van 52/38°
7 Ster-merkteken	36 Sleutelhouder	64 Kroon-profiellijst met een wand- hoek van 45°
8 Beschermkap	37 Zeskant-inbussleutel	65 Kwarthol-profiellijst met een wandhoek van 45°
9 Beschermkap A	38 Middenkap	66 Binnenhoek
10 Beschermkap B	39 Zeskant-inbussleutel	67 Buitenhoek
11 Vleugelschroef	40 Zeskant-inbusbout	68 Meer dan 15 mm (5/8")
12 Zaagsnedeplaat	41 Veiligheidskap	69 Meer dan 420 mm (16-1/2")
13 Zaagblad	42 Asblokkering	70 Gat
14 Zaagbladtanden	43 Pijltje	71 Stelplaat
15 Linkse schuine snede	44 Zaagbladkast	72 Groeven zagen met het zaag- blad
16 Rechte snede	45 Zeskant-inbusbout (linkse schroefdraad)	73 Driehoeksliniaal
17 Geleider	46 Buitenflens	74 Armhouder
18 Draaitafel	47 Binnenflens	75 Stelbout voor 0° schuine hoek
19 Bovenvlak van draaitafel	48 As	76 Stelbout voor 45° linkse schuine hoek
20 Omtrek van zaagblad	49 Stofzak	77 Limietmarkering
21 Stelschroef	50 Verbindingsstuk	78 Borstelhouderdop
22 Aanslagarm	51 Sluitstrip	79 Schroevendraaier
23 Hulpbeschermbiad	52 Steun	
24 Wijzer	53 Spanschroefarm	
25 Verstekschaal	54 Spanschroefstang	
26 Vergrendelknok	55 Houder	
27 Handgreep	56 Houdermontage	
28 Hendel	57 Spanschroefknop	
29 Vrijmakingsknop		

TECHNISCHE GEGEVENS

Model

DLS713

Diameter zaagblad	190 mm
Dikte zaagbladlichaam	1,3 mm – 2,0 mm
Diameter zaagbladgat (asgat)	20 mm
Max. verstekhoek	Links 47°, Rechts 57°
Max. schuine hoek	Links 45°, Rechts 5°
Max. zaagcapaciteiten (H x B) met een zaagblad van 190 mm diameter.	

Verstekhoek	Schuine hoek		
	45° (links)	0°	5° (rechts)
0°	25 mm x 300 mm	52 mm x 300 mm	40 mm x 300 mm
	—	*60 mm x 265 mm (Opmerking 1)	—
45° (links en rechts)	25 mm x 212 mm	52 mm x 212 mm	—
	—	*60 mm x 185 mm (Opmerking 2)	—
57° (rechts)	—	52 mm x 163 mm	—
	—	*60 mm x 145 mm (Opmerking 3)	—

Toerental onbelast (min ⁻¹)	2 200
Afmetingen (L x B x H)	655 mm x 430 mm x 454 mm
Netto gewicht	12,7 kg
Nominale spanning	18 V gelijkstroom

(Opmerking)

Het * teken duidt aan dat een houten hulpstuk van de volgende dikte wordt gebruikt.

- 1: Bij gebruik van een houten hulpstuk met een dikte van 20 mm.
- 2: Bij gebruik van een houten hulpstuk met een dikte van 15 mm.
- 3: Bij gebruik van een houten hulpstuk met een dikte van 10 mm.

- In verband met ononderbroken research en ontwikkeling, behouden wij ons het recht voor de bovenstaande technische gegevens zonder voorafgaande kennisgeving te wijzigen.
- De technische gegevens de accu kunnen van land tot land verschillen.
- Gewicht, inclusief accu, volgens de EPTA-procedure 01/2003

ENE076-1

Doeleinden van gebruik

Dit gereedschap is bedoeld voor nauwkeurig recht zagen en verstekzagen in hout.

GEA010-1

Algemene veiligheidswaarschuwingen voor elektrisch gereedschap

⚠ WAARSCHUWING! Lees alle veiligheidsaanschuwingen en alle instructies. Het niet volgen van de waarschuwingen en instructies kan leiden tot elektrische schokken, brand en/of ernstig letsel.

Bewaar alle waarschuwingen en instructies om in de toekomst te kunnen raadplegen.

ENB118-4

VEILIGHEIDSVORSCHRIFTEN VOOR DE ACCU-VERSTEKZAAG

1. Houd uw handen uit de buurt van het zaagblad. Raak het freewheelende zaagblad niet aan, aangezien dit nog ernstige verwonding kan veroorzaken.
2. Controleer vóór het gebruik het zaagblad zorgvuldig op barsten of vervorming. Vervang een beschadigd zaagblad onmiddellijk.
3. Vervang de zaagsnedeplaat wanneer deze versleten is.
4. Gebruik alleen zaagbladen voorgeschreven door de fabrikant, die voldoen aan de norm EN847-1.
5. Gebruik geen zaagbladen die van sneldraaistaal zijn gemaakt.
6. Draag oogbescherming.
7. Draag oorbeschermers om aantasting van uw gehoor te voorkomen.
8. Draag handschoenen wanneer u zaagbladen of ruw materiaal hanteert (zaagbladen dienen zo vaak als praktisch mogelijk is in een houder te worden gedragen).
9. Sluit verstekzagen tijdens het zagen aan op een stofvanginrichting.
10. Selecteer de zaagbladen in overeenstemming met het te zagen materiaal.
11. Gebruik de zaag niet voor het zagen van andere materialen dan hout.
12. Zet altijd alle bewegende onderdelen vast alvorens het gereedschap te dragen. Gebruik voor optillen of meedragen van het gereedschap nooit de veiligheidskap als handvat.
13. Gebruik de zaag niet zonder dat de beschermkappen zijn aangebracht. Controleer vóór elk gebruik of de beschermkap goed sluit. Gebruik de zaag niet indien de beschermkap niet goed beweegt en niet snel over het zaagblad sluit. Klem of bind de beschermkap nooit in de geopende stand vast.
14. Zorg dat de werkvloer vrij is van losliggend materiaal zoals spaanders of afgezaagde stukken.
15. Gebruik alleen zaagbladen gemarkeerd met een maximumsnelheid die gelijk is aan of hoger dan het onbelast toerental dat staat aangegeven op het gereedschap.
16. Als het gereedschap is toegerust met een laser of LED, vervang dan nooit de laser of LED door één van een ander type. Als reparatie nodig is, zoekt u een erkend servicecentrum om dat te verichten.
17. Ga nooit afgezaagde stukken of andere delen van het werkstuk verwijderen uit de werkplaats terwijl de zaag nog draait met een zaagblad zonder afscherming.
18. Zaag nooit met het werkstuk in uw hand. Gebruik altijd de spanschroef om het werkstuk goed vast te zetten op het draaibaar voetstuk en tegen de geleider. Gebruik nooit uw hand om het werkstuk tijdens het zagen vast te houden.
19. Zorg vóór elke zaagsnede dat het gereedschap goed stabiel is.
20. Monteer het gereedschap aan een werkbank wanneer dat nodig is.
21. Ondersteun lange werkstukken met geschikte extra steunen of schragen.
22. Ga nooit zagen in een werkstuk dat te klein is om stevig in de spanschroef te klemmen. Een werkstuk dat niet goed vast zit kan terugslag en daardoor ernstige verwondingen veroorzaken.
23. Reik nooit in de nabijheid van het zaagblad.
24. Schakel het gereedschap uit en wacht totdat het zaagblad volledig tot stilstand is gekomen alvorens het werkstuk te verwijderen of instellingen te veranderen.
25. Trek de stekker uit het stopcontact alvorens het zaagblad te verwisselen of onderhoud aan het gereedschap uit te voeren.
26. De aanslagpinnen die de zaagkop in de omlaagpositie vergrendelt, wordt alleen gebruikt voor het dragen en opbergen van het gereedschap en niet voor zaagbedieningen.
27. Gebruik het gereedschap niet in de nabijheid van ontvlambare gassen of vloeistoffen. Door de elektrische werking van het gereedschap kan een explosie en brand worden veroorzaakt indien blootgesteld aan brandbare vloeistoffen of gassen.
28. Gebruik alleen flenzen die voor dit gereedschap zijn bestemd.
29. Pas op dat u de as, de flenzen (vooral hun montagevlak) of de bout niet beschadigt. Beschadiging van deze onderdelen kan zaagbladbreuk veroorzaken.
30. Zorg dat het draaibaar voetstuk goed vastgezet is, zodat het tijdens het zagen niet kan bewegen.
31. Verwijder voor uw eigen veiligheid zaagafval, stukjes hout e.d. van de werktafel alvorens te gaan zagen.
32. Vermijd het zagen op spijkers. Inspecteer het werkstuk en verwijder alle eventuele spijkers alvorens met het zagen te beginnen.
33. Zet de asvergrendeling in de vrije stand alvorens de trekschakelaar in te drukken.
34. Zorg ervoor dat het zaagblad in zijn laagste positie niet in aanraking komt met het draaibaar voetstuk.
35. Houd het handvat stevig vast. Denk eraan dat de zaag bij het starten en stoppen even op- en neergaat.

36. Zorg dat het zaagblad bij het inschakelen niet in contact is met het werkstuk.
37. Laat het gereedschap een tijdje draaien alvorens het op het werkstuk te gebruiken. Controleer op trillingen of schommelingen die op onjuiste installatie of op een slecht gebalanceerd zaagblad kunnen wijzen.
38. Wacht totdat het zaagblad op volle toeren draait, alvorens het werkstuk te zagen.
39. Stop onmiddellijk met zagen indien u iets abnormaals opmerkt.
40. Probeer niet om de trekschakelaar in de ingeschakeld positie te vergrendelen.
41. Laat uw aandacht nooit verslappen, vooral niet wanneer het werk saai is en uit herhalingen bestaat. Laat u niet door een vals gevoel van veiligheid misleiden, aangezien zaagbladen altijd uiterst gevaarlijk zijn.
42. Gebruik uitsluitend de accessoires die in deze gebruiksaanwijzing worden aanbevolen. Het gebruik van ongeschikte accessoires, zoals slijpschijven, kan verwonding veroorzaken.
43. Wees voorzichtig wanneer u gleuven zaagt.
44. Sommige stofafval van de zaagbediening bevat chemicaliën die kanker, geboortefwijkingen of andere voortplantingsdefecten kunnen veroorzaken. Een paar voorbeelden van deze chemicaliën zijn:
 - lood van materiaal dat met loodhoudende inkt is geverfd
 - arseen en chroom van chemisch behandeld timmerhout
 Het gevaar van blootstelling hangt af van hoe vaak u dit soort werk uitvoert. Om blootstelling aan deze chemicaliën tot een minimum te beperken, dient u in een goed geventileerde omgeving te werken en gebruik te maken van goedgekeurde veiligheidsapparatuur zoals stofmaskers die speciaal ontworpen zijn voor het filteren van microscopische deeltjes.
45. Zorg altijd dat het zaagblad scherp en schoon is om het voortgebrachte geluid tot een minimum te beperken.
46. De gebruiker dient volledig vertrouwd te zijn met het gebruik, de afstelling en de bediening van het gereedschap.

Bewaar deze voorschriften.

WAARSCHUWING:

LAAT NIET uw vertrouwdheid met het gereedschap (na regelmatig gebruik) omslaan in slordigheid of onachtzaamheid omtrent de strikt na te leven veiligheidsvoorschriften voor dit product. VERKEERD GEBRUIK of het niet naleven van de veiligheidsvoorschriften in deze gebruiksaanwijzing kan leiden tot ernstige verwondingen.

BELANGRIJKE VEILIGHEIDSVoorschriften

VOOR ACCU

1. Lees alle voorschriften en waarschuwingen op (1) de acculader, (2) de accu, en (3) het product waarvoor de accu wordt gebruikt, aandachtig door alvorens de acculader in gebruik te nemen.
2. Neem de accu niet uit elkaar.
3. Als de gebruikstijd van een opgeladen accu aanzienlijk korter is geworden, moet u het gebruik ervan onmiddellijk stopzetten. Voortgezet gebruik kan oververhitting, brandwonden en zelfs een ontploffing veroorzaken.
4. Als er elektrolyt in uw ogen is terechtgekomen, spoel dan uw ogen met schoon water en roep onmiddellijk de hulp van een dokter in. Elektrolyt in de ogen kan blindheid veroorzaken.
5. Voorkom kortsluiting van de accu:
 - (1) Raak de accuklemmen nooit aan met een geleidend materiaal.
 - (2) Bewaar de accu niet in een bak waarin andere metalen voorwerpen zoals spijkers, munten e.d. worden bewaard.
 - (3) Stel de accu niet bloot aan water of regen. Kortsluiting van de accu kan oorzaak zijn van een grote stroomafgifte, oververhitting, brandwonden, en zelfs defecten.
6. Bewaar het gereedschap en de accu niet op plaatsen waar de temperatuur kan oplopen tot 50°C of hoger.
7. Werp de accu nooit in het vuur, ook niet wanneer hij zwaar beschadigd of volledig versleten is. De accu kan namelijk ontploffen in het vuur.
8. Wees voorzichtig dat u de accu niet laat vallen en hem niet blootstelt aan schokken of stoten.
9. Gebruik nooit een beschadigde accu.

Bewaar deze voorschriften.

Tips voor een maximale levensduur van de accu

1. Laad de accu op voordat hij volledig ontladen is. Stop het gebruik van het gereedschap en laad de accu op telkens wanneer u vaststelt dat het vermogen van het gereedschap is afgenomen.
2. Laad een volledig opgeladen accu nooit opnieuw op. Als u de accu te veel oplaadt, zal hij minder lang meegaan.
3. Laad de accu op bij een kamertemperatuur tussen 10°C en 40°C. Laat een warme accu afkoelen alvorens hem op te laden.
4. Laad de accu zeker elk half jaar een keer op, ook als u deze geruime tijd lang niet gebruikt.

INSTALLEREN

Op een werktafel monteren

Bij de verzending uit de fabriek is het handvat door middel van de aanslagpen in de omlaagpositie vergrendeld. Ontgrendel de aanslagpen door het handvat iets omlaag te drukken en aan de aanslagpen te trekken. (Fig. 1)

⚠ WAARSCHUWING:

- **Zorg ervoor dat het gereedschap niet kan bewegen op de ondergrond.** Als de verstekzaag tijdens het zagen beweegt ten opzichte van de ondergrond, kan dat leiden tot verlies van controle over het gereedschap en ernstig persoonlijk letsel.

Dit gereedschap dient op een effen en stabiel oppervlak te worden gemonteerd door gebruik te maken van de boutgaten in de voet van het gereedschap. Hierdoor wordt voorkomen dat het gereedschap omkantelt en mogelijk verwondingen veroorzaakt. (Fig. 2)

Draai de stelbout naar rechts of naar links totdat deze met het vloeroppervlak in contact komt om het gereedschap stabiel te houden. (Fig. 3)

BESCHRIJVING VAN DE FUNCTIES

⚠ WAARSCHUWING:

- **Zorg ervoor dat het gereedschap is uitgeschakeld en dat de accu is verwijderd voordat u de werking van het gereedschap aanpast of controleert.** Als het gereedschap niet wordt uitgeschakeld en de accu niet uit het gereedschap wordt verwijderd, kan dat na per ongeluk inschakelen leiden tot ernstig persoonlijk letsel.

De accu aanbrengen en verwijderen (Fig. 4)

- Schakel het gereedschap altijd uit voordat u de accu aanbrengt of verwijderd.
- Om de accu te verwijderen verschuift u de knop aan de voorkant van de accu en trekt u tegelijkertijd de accu uit het gereedschap.
- Om de accu aan te brengen lijnt u de lip op de accu uit met de groef in de behuizing en duwt u de accu op zijn plaats. Steek de accu zo ver mogelijk in het gereedschap tot u een klikgeluid hoort. Als u het rode deel aan de bovenkant van de knop kunt zien, is de accu niet goed aangebracht. Steek de accu zo ver mogelijk erin tot het rode deel niet meer zichtbaar is. Als u dit niet doet, kan de accu per ongeluk uit het gereedschap vallen en u of anderen in uw omgeving verwonden.
- Oefen geen grote kracht uit bij het aanbrengen van de accu. Als de accu niet gemakkelijk in het gereedschap kan worden geschoven, wordt deze niet goed aangebracht.

Accubeveiligingssysteem (lithium-ionenaccu met een stermarkering) (Fig. 5)

Lithium-ionenaccu's met een stermarkering zijn voorzien van een beveiligingssysteem. Dat kan automatisch de stroomtoevoer afsluiten om de levensduur van de accu te verlengen.

Het gereedschap kan tijdens gebruik automatisch stoppen wanneer het gereedschap en/of de accu aan één van de volgende omstandigheden wordt blootgesteld:

- Overbelasting:

Als het gereedschap wordt gebruikt op een manier die een abnormaal hoge stroomsterkte vergt.

In dat geval laat u de trekschakelaar van het gereedschap los en verhelpt u de oorzaak van de overbelasting. Vervolgens drukt u de trekschakelaar weer in om het gereedschap te herstarten.

Als het gereedschap niet start, kan de accu oververhit zijn. In dat geval laat u de accu even afkoelen voordat u de trekschakelaar opnieuw indrukt.

- Onvoldoende accuspanning:

Als de resterende accuspanning onvoldoende is, zal het gereedschap niet starten. In dat geval verwijderd u de accu en laadt u die opnieuw op.

Beschermkap

Voor alle niet-Europese landen (Fig. 6)

Wanneer het handvat omlaag wordt gebracht, gaat de beschermkap automatisch omhoog. De beschermkap is veerbelast zodat zij naar haar oorspronkelijke positie terugkeert wanneer het zagen voltooid is en het handvat wordt opgeheven.

⚠ WAARSCHUWING:

- **Zet de beschermkap nooit vast en verwijder nooit de beschermkap of de veer die eraan is bevestigd.** Een blootliggend zaagblad als gevolg van een buiten werking gestelde beschermkap kan tijdens gebruik leiden tot ernstig persoonlijk letsel.

Voor uw persoonlijke veiligheid dient de beschermkap altijd in goede staat te worden gehouden. Elke onregelmatigheid in de werking van de beschermkap dient onmiddellijk te worden gerepareerd. Controleer of de veer goed werkt zodat de beschermkap goed terugkeert.

⚠ WAARSCHUWING:

- **Gebruik het gereedschap nooit wanneer de beschermkap of de veer beschadigd, defect, of verwijderd zijn.** Het gebruik van het gereedschap met een beschadigde, defecte of verwijderde beschermkap kan leiden tot ernstig persoonlijk letsel.

Voor Europese landen (Fig. 7)

Wanneer het handvat omlaag wordt gebracht, gaat beschermkap A automatisch omhoog. Beschermkap B gaat omhoog zodra deze het werkstuk raakt. De beschermkappen zijn veerbelast zodat zij naar hun oorspronkelijke positie terugkeren wanneer het zagen voltooid is en het handvat omhoog wordt gebracht.

⚠ WAARSCHUWING:

- **Zet de beschermkap nooit vast en verwijder nooit de beschermkap of de veer die eraan is bevestigd.** Een blootliggend zaagblad als gevolg van een buiten werking gestelde beschermkap kan tijdens gebruik leiden tot ernstig persoonlijk letsel.

Voor uw persoonlijke veiligheid dient iedere beschermkap altijd in goede staat te worden gehouden. Elke onregelmatigheid in de werking van de beschermkappen dient onmiddellijk te worden gerepareerd. Controleer of de veren goed werken zodat de beschermkappen goed terugkeren.

⚠ WAARSCHUWING:

- **Gebruik het gereedschap nooit wanneer de beschermkap of de veer beschadigd, defect, of verwijderd zijn.** Het gebruik van het gereedschap met een beschadigde, defecte of verwijderde beschermkap kan leiden tot ernstig persoonlijk letsel.

Als de doorzichtige beschermkap vuil is geworden of er zaagsel aan kleeft zodat het zaagblad en/of het werkstuk niet meer goed zichtbaar is, verwijderd u de accu en maakt u de beschermkap voorzichtig schoon met een vochtige doek.

Gebruik geen oplosmiddelen of een schoonmaakmiddel op petroleumbasis op de kunststoffen beschermkap omdat hierdoor de beschermkap kan worden beschadigd.

Als de beschermkap vuil is geworden en voor correct gebruik moet worden schoongemaakt, volgt u de onderstaande stappen:

Terwijl het gereedschap is uitgeschakeld en de accu is verwijderd, gebruikt u de bijgeleverde zeskant-inbusleutel om de zeskant-inbusbout waarmee de middenkap is bevestigd los te draaien. Draai de zeskant-inbusbout linksom los en breng de beschermkap en de middenkap omhoog. (Fig. 8)

In deze positie kan de beschermkap grondiger en gemakkelijker worden schoongemaakt. Voer deze procedure in de omgekeerde volgorde uit en draai de bout weer vast nadat het schoonmaken is voltooid. Verwijder de veer van de beschermkap niet. Als de beschermkap beschadigd is door ouderdom of blootstelling aan ultraviolet licht, neemt u contact op met een Makita-servicecentrum om een nieuwe beschermkap te bestellen.

DE BESCHERMKAP NOOIT VASTZETTEN OF VERWIJDEREN.

Afstellen van de zaagsnedeplaten (Fig. 9 en 10)

Om scheuren op de uitlaatkant van een snede tot een minimum te beperken, is dit gereedschap voorzien van zaagsnedeplaten in de draaitafel. De zaagsnedeplaten zijn in de fabriek zodanig afgesteld dat het zaagblad niet met de zaagsnedeplaten in aanraking komt. Stel de zaagsnedeplaten als volgt af alvorens de zaag in gebruik te nemen:

Verwijder eerst de accu. Draai alle schroeven (2 aan de linkerzijde en 2 aan de rechterzijde) waarmee de zaagsnedeplaten zijn vastgemaakt los. Trek de schroeven weer aan in zulke mate dat de zaagsnedeplaten nog gemakkelijk met de hand kunnen worden bewogen. Breng het handvat volledig omlaag en druk de aanslagpen naar binnen om het handvat in de omlaagpositie te vergrendelen. Draai de twee klemschroeven waarmee de sledestangen zijn vastgemaakt los. Trek de slede helemaal naar u toe. Stel de positie van de zaagsnedeplaten af zodat deze niet in aanraking komen met de zijanten van de zaagbladtanden. Trek de voorste schroeven aan (niet te hard aantrekken). Duw de slede zo ver mogelijk naar de geleider en stel de positie van de zaagsnedeplaten zodanig af dat deze niet in aanraking komen met de zijanten van de zaagbladtanden. Trek de achterste schroeven aan (niet te hard aantrekken).

Nadat de zaagsnedeplaten zijn afgesteld, ontgrendelt u de aanslagpen en brengt u het handvat omhoog. Trek vervolgens alle schroeven stevig aan.

KENNISGEVING:

- **Zorg na het instellen van de schuine hoek ervoor dat de zaagsnedeplaten goed worden afgesteld.** Een juiste afstelling van de zaagsnedeplaten zorgt voor een goede ondersteuning van het werkstuk waarbij splinteren wordt geminimaliseerd.

Handhaven van de maximale zaagcapaciteit (Fig. 11 en 12)

Deze zaag is in de fabriek ingesteld voor het leveren van maximale zaagcapaciteit met een 190 mm zaagblad. Verwijder de accu voordat u probeert het gereedschap af te stellen. Wanneer u een nieuw zaagblad installeert, dient u altijd de laagste positie van het zaagblad te controleren en indien nodig als volgt af te stellen:

Verwijder eerst de accu. Duw de slede zo ver mogelijk naar de geleider en breng het handvat volledig omlaag. Gebruik de zeskant-inbusleutel en verdraai de stelbout totdat de omtrek van het zaagblad een beetje onder het bovenvlak van de draaitafel komt te zitten op het punt waar het voorvlak van de geleider in aanraking komt met het bovenvlak van de draaitafel.

Met de accu verwijderd, houdt u het handvat helemaal omlaag gedrukt en draait u het zaagblad met de hand rond om u ervan te verzekeren dat het zaagblad geen enkel onderdeel van het onderste voetstuk raakt. Stel opnieuw een beetje af, indien nodig.

⚠ WAARSCHUWING:

- **Na het monteren van een nieuw zaagblad controleert u, terwijl de accu is verwijderd, altijd dat het zaagblad geen enkel onderdeel van het onderste raakt wanneer de handvat zo ver mogelijk omlaag wordt gedrukt.** Als het zaagblad het onderste raakt, kan dit een terugslag veroorzaken en leiden tot ernstig persoonlijk letsel.

Aanslagarm (Fig. 13)

Met de aanslagarm kunt u de laagste positie van het zaagblad gemakkelijk instellen. Stel in door de aanslagarm in de richting van het pijltje te bewegen, zoals afgebeeld. Stel de stelschroef zodanig in dat het zaagblad bij de gewenste positie stopt wanneer het handvat volledig omlaag wordt gebracht.

Hulpbeschermblad (alleen voor Europese landen) (Fig. 14)

Dit gereedschap is voorzien van een hulpbeschermblad. Gewoonlijk kunt u het hulpbeschermblad ingeklapt laten. Voor het links schuin zagen echter klapt u het hulpbeschermblad uit.

⚠ LET OP:

- Voor het links schuin zagen klapt u het hulpbeschermblad uit. Anders zou dat het zaagblad of een deel van het gereedschap kunnen raken, met kans op ernstige verwondingen voor de gebruiker.

Instellen van de verstekhoek (Fig. 15)

Draai de handgreep naar links los. Verdraai de draaitafel terwijl u de vergrendelknop ingedrukt houdt. Beweeg de handgreep naar de positie waar de wijzer de gewenste hoek op de verstekschaal aanwijst en draai dan de handgreep weer stevig naar rechts vast.

⚠ LET OP:

- Na het wijzigen van de verstekhoek, dient u de draaitafel altijd vast te zetten door de handgreep stevig vast te draaien.

KENNISGEVING:

- Voor het verdraaien van het draaibaar voetstuk dient u het handvat volledig omhoog te brengen.

Instellen van de schuine hoek (Fig. 16 en 17)

Om de schuine hoek in te stellen, draait u de hendel op de achterkant van het gereedschap naar links los.

Duw het handvat naar links om het zaagblad te kantelen totdat de wijzer naar de gewenste hoek op de schuinehoek schaal wijst. Draai daarna de hendel weer stevig naar rechts vast om de arm te vergrendelen.

Om het zaagblad naar rechts te kantelen, drukt u de vrijmakingsknop op de achterkant van het gereedschap in terwijl u het zaagblad ietwat naar links kantelt nadat de hendel is losgedraaid. Houd de vrijmakingsknop ingedrukt en kantel het zaagblad naar rechts.

⚠ LET OP:

- Na het wijzigen van de schuine hoek, dient u altijd de arm vast te zetten door de hendel naar rechts vast te draaien.

KENNISGEVING:

- Bij het kantelen van het zaagblad moet het handvat helemaal omhoog staan.
- Wanneer u de schuine hoek wijzigt, dient u de zaagsnedeplaten in de juiste positie te zetten zoals beschreven in "Afstellen van de zaagsnedeplaten".

Afstellen van de hendelpositie (Fig. 18)

Indien de hendel niet stevig kan worden vastgedraaid, kunt u de positie ervan bij elke hoek met 30° afstellen. Draai de bevestigingsschroef van de hendel op de achterkant van het gereedschap los en verwijder de schroef. Verwijder de hendel en installeer hem opnieuw zodat hij ietwat boven het niveau komt. Maak de hendel stevig vast met de schroef.

Werking van de schakelaar

Voor Europese landen (Fig. 19)

Een ontgrendelknop is voorzien om te voorkomen dat de trekschakelaar per ongeluk wordt ingedrukt. Om het gereedschap te starten, duwt u eerst de hendel omhoog, drukt u vervolgens op de ontgrendelknop, en knijpt u tenslotte de trekschakelaar in. Laat de trekschakelaar los om het gereedschap te stoppen.

⚠ WAARSCHUWING:

- **Controleer altijd, voordat u de accu op het gereedschap aanbrengt, of de trekschakelaar op de juiste manier schakelt en weer terugkeert naar de uitstand nadat deze is losgelaten. Druk de trekschakelaar niet hard in zonder dat de ontgrendelknop is ingedrukt. Hierdoor kan de schakelaar namelijk breken.** Het gereedschap gebruiken zonder dat de trekschakelaar goed werkt, kan leiden tot verlies van controle en ernstig persoonlijk letsel.

In de trekschakelaar is een gat aangebracht waar een hangslot door past om het gereedschap af te sluiten.

Voor alle niet-Europese landen (Fig. 20)

Een ontgrendelknop is voorzien om te voorkomen dat de trekschakelaar per ongeluk wordt ingedrukt. Om het gereedschap te starten, druk de ontgrendelknop in en druk vervolgens de trekschakelaar in. Laat de trekschakelaar los om het gereedschap te stoppen.

⚠ WAARSCHUWING:

- **Controleer altijd, voordat u de accu op het gereedschap aanbrengt, of de trekschakelaar op de juiste manier schakelt en weer terugkeert naar de uitstand nadat deze is losgelaten. Druk de trekschakelaar niet hard in zonder dat de ontgrendelknop is ingedrukt. Hierdoor kan de schakelaar namelijk breken.** Het gereedschap gebruiken zonder dat de trekschakelaar goed werkt, kan leiden tot verlies van controle en ernstig persoonlijk letsel.

In de trekschakelaar is een gat aangebracht waar een hangslot door past om het gereedschap af te sluiten.

⚠ WAARSCHUWING:

- **Gebruik geen slot met een beugel of kabel met een diameter kleiner dan 6,35 mm (1/4").** Met een dunne beugel of kabel wordt het gereedschap mogelijk niet goed in de uitstand vergrendeld, waardoor onbedoelde bediening kan plaatsvinden die kan leiden tot ernstig persoonlijk letsel.

- **Gebruik het gereedschap NOOIT met een defecte trekschakelaar.** Ieder gereedschap met een defecte trekschakelaar is UITERST GEVAARLIJK en moet worden gerepareerd voordat het gereedschap wordt gebruikt of ernstig persoonlijk letsel wordt veroorzaakt.
- Voor uw veiligheid is dit gereedschap voorzien van een ontgrendelknop die ongewild starten van het gereedschap voorkomt. Gebruik het gereedschap NOOIT indien het gaat draaien wanneer u gewoon de trekschakelaar indrukt zonder de ontgrendelknop in te drukken. Een trekschakelaar die moet worden gerepareerd kan leiden tot onbedoelde bediening en ernstig persoonlijk letsel. Breng het naar een Makita servicecentrum voor reparatie ALVORENS het verder te gebruiken.
- NOOIT de uit-vergrendelknop vastplakken of op een andere manier buiten werking stellen. Een trekschakelaar met een buiten werking gestelde uit-vergrendelknop kan leiden tot onbedoelde bediening en ernstig persoonlijk letsel.

INNEENZETTEN

⚠ WAARSCHUWING:

- **Controleer altijd of het gereedschap is uitgeschakeld en de accu ervan is verwijderd voordat u aan het gereedschap gaat werken.** Als u het gereedschap niet uitschakelt en de accu ervan niet verwijdert, kan dat leiden tot ernstig persoonlijk letsel.

Opbergen van de zeskant-inbussleutel (Fig. 21)

De zeskant-inbussleutel wordt bewaard op de plaats aangegeven in de afbeelding.

Als u de zeskant-inbussleutel nodig hebt, trekt u deze uit de sleutelhouder.

Na gebruik van de zeskant-inbussleutel, plaatst u deze terug in de sleutelhouder.

Installeren of verwijderen van het zaagblad

⚠ WAARSCHUWING:

- **Zorg er altijd voor dat het gereedschap is uitgeschakeld en de accu is verwijderd, voordat u het zaagblad aanbrengt of verwijdert.** Als het gereedschap per ongeluk start, kan dat leiden tot ernstig persoonlijk letsel.

⚠ LET OP:

- Gebruik voor het installeren of verwijderen van het zaagblad uitsluitend de bijgeleverde Makita dopsleutel. Doet u dit niet, dan kan de zeskante bout te vast of te los worden aangedraaid. Dit kan leiden tot persoonlijke verwonding.

Druk de aanslagpen in om het handvat in de omhoogpositie te vergrendelen. (Fig. 22)

Om het zaagblad te verwijderen, gebruik de zeskant-inbussleutel om de zeskant-inbusbout, die de middenkap op haar plaats houdt, naar links los te draaien. Breng de beschermkap en de middenkap omhoog. (Fig. 23)

Druk de asblokkering in om de as te vergrendelen en draai met de zeskant-inbussleutel de zeskant-inbusbout naar rechts los. Verwijder vervolgens de zeskante bout, de buitenflens en het zaagblad. (Fig. 24)

OPMERKING:

- Als de binnenflens verwijderd is, vergeet u niet deze aan te brengen op de as met zijn uitsteeksel van het zaagblad af gericht. Als de binnenflens verkeerd wordt aangebracht, zal de flens tegen het gereedschap aanlopen.

Om het zaagblad te installeren, monteert u het zaagblad zorgvuldig op de as, ervoor zorgend dat de pijltjes op het zaagblad en op de zaagbladkast in dezelfde richting wijzen. Monteer de buitenflens en de zeskant-inbusbout, en draai met de zeskant-inbusleutel de zeskant-inbusbout (linkse schroefdraad) stevig naar links vast terwijl u daarbij de asblokkering ingedrukt houdt.

Breng de beschermkap en de middenkap terug naar hun oorspronkelijke positie. Draai daarna de zeskant-inbusbout naar rechts vast om de middenkap vast te zetten. Trek de aanslagpen naar buiten om de omhoogpositie van het handvat te ontgrendelen. Breng het handvat omlaag om te controleren of de beschermkap goed beweegt. Zet de asblokkering in de vrije stand alvorens te gaan zagen. (Fig. 25 en 26)

Stofzak (accessoire) (Fig. 27)

Om de sluitstrip te bevestigen, lijnt u de bovenrand van de sluitstrip uit met de driehoekmarkering op de stofzak. Door de stofzak te gebruiken werkt u schoner en kan het zaagsel eenvoudiger worden opgeruimd. Om de stofzak te bevestigen, monteert u hem op het verbindingsstuk. Wanneer de stofzak ongeveer halfvol is, maakt u hem los van het gereedschap en trekt u de sluitstrip eruit. Maak de stofzak leeg en tik er zachtjes op voor het verwijderen van achtergebleven stofdeeltjes die verdere stofopvang zouden kunnen belemmeren.

OPMERKING:

- U kunt schoner werken door een stofzuiger op de zaag aan te sluiten.

Vastzetten van het werkstuk (Fig. 28)

⚠ WAARSCHUWING:

- **Het is uiterst belangrijk om het werkstuk altijd goed vast te klemmen in het juiste type spanschroef.** Als u dat niet doet, kan dat leiden tot ernstig persoonlijk letsel en schade aan het gereedschap en/of het werkstuk.
- **Nadat u klaar bent met zagen, mag u het handvat pas omhoog brengen nadat het zaagblad volledig tot stilstand is gekomen.** Als u het handvat omhoog brengt terwijl het zaagblad nog ronddraait, kan dat leiden tot ernstig persoonlijk letsel en schade aan het werkstuk.
- **Wanneer u een werkstuk zaagt dat langer is dan het voetstuk van de cirkelzaag, moet het werkstuk worden ondersteund over de gehele lengte buiten het voetstuk en op dezelfde hoogte zodat het werkstuk horizontaal blijft.** Een goede ondersteuning van het werkstuk helpt voorkomen dat het zaagblad vastloopt en een mogelijke terugslag optreedt die kan leiden tot ernstig persoonlijk letsel. Verlaat u niet alleen op de verticale en/of horizontale spanschroef om het werkstuk op zijn plaats te houden. Dun materiaal hangt gemakkelijk door. Ondersteun het werkstuk over zijn hele lengte om vastklemmen van het zaagblad en mogelijke TERUGSLAG te voorkomen.

Verticale spanschroef (Fig. 29)

De verticale spanschroef kan in twee posities, aan de linkerzijde of rechterzijde van de geleider of de houdermontage (los verkrijgbaar accessoire), worden geïnstalleerd.

Steek de stang van de spanschroef in het gat in de geleider of houdermontage en trek de schroef aan om de stang vast te zetten.

Zet de arm van de spanschroef in de positie die geschikt is voor de dikte en vorm van het werkstuk, en zet de arm vast door de schroef vast te draaien. Indien de bevestigingsschroef van de arm in aanraking komt met de geleider, moet u de schroef op de tegenovergestelde zijde van de arm monteren. Controleer of geen enkel deel van het gereedschap in aanraking komt met de spanschroef wanneer het handvat volledig omlaag wordt gebracht en de zaagslede zo ver mogelijk wordt getrokken of geduwd. Indien dit wel het geval is, moet u de positie van de spanschroef veranderen.

Druk het werkstuk vlak tegen de geleider en de draaitafel. Plaats het werkstuk in de gewenste zaagpositie en zet het stevig vast door de knop van de spanschroef vast te draaien.

⚠ WAARSCHUWING:

- **Tijdens alle bedieningen moet het werkstuk door de spanschroef stevig tegen het draaibaar voetstuk en de geleider worden gedrukt.** Als het werkstuk niet goed is vastgeklemd tegen de geleiders, kan het werkstuk tijdens het zagen verschuiven en zo mogelijk schade aan het zaagblad veroorzaken, waardoor het werkstuk weggeslagen kan worden en u de controle kunt verliezen, wat kan leiden tot ernstig persoonlijk letsel.

Horizontale spanschroef (los verkrijgbaar accessoire) (Fig. 30)

De horizontale spanschroef kan aan de linkerzijde van de gereedschapsvoet worden geïnstalleerd. Door de knop van de spanschroef naar links te draaien wordt de spanschroef in de vrije stand gezet en kunt u de spanschroefas snel naar binnen en naar buiten bewegen. Door de knop van de spanschroef naar rechts te draaien wordt de spanschroef vastgezet. Om het werkstuk te grijpen, draait u de knop van de spanschroef langzaam naar rechts totdat het uitsteeksel zijn hoogste positie bereikt, en daarna draait u de knop stevig vast. Indien de spanschroefknop naar binnen of naar buiten wordt getrokken terwijl u hem naar rechts draait, kan het uitsteeksel in een schuine positie stoppen. In dit geval draait u de spanschroefknop terug naar links totdat de spanschroef los komt, en dan draait u hem weer langzaam naar rechts.

De maximale breedte van werkstukken die met de horizontale spanschroef kunnen worden vastgezet is 120 mm.

⚠ WAARSCHUWING:

- **Grijp het werkstuk alleen wanneer het uitsteeksel in zijn hoogste positie staat.** Als u dit niet doet, zal het werkstuk mogelijk niet goed vastgezet zijn. Het werkstuk kan dan weggeslingerd worden, hetgeen beschadiging van het zaagblad, verlies van controle over het gereedschap en mogelijke PERSOONLIJKE VERWONDING kan veroorzaken.

Houders en houdermontage (los verkrijgbaar accessoires) (Fig. 31 en 32)

U kunt de houders en de houdermontage aan beide zijden van het gereedschap aanbrengen om de werkstukken horizontaal te ondersteunen. Installeer deze accessoires zoals afgebeeld. Draai daarna de schroeven goed vast om de houders en de houdermontage vast te zetten.

Gebruik de houder/stang montage (los verkrijgbaar accessoire) voor het zagen van lange werkstukken. Deze bestaat uit twee houdermontages en twee stangen 12.

⚠ WAARSCHUWING:

- **Ondersteun een lang werkstuk altijd zodanig dat het horizontaal ligt met de draaibaar voetstuk om een nauwkeurige zaagsnede te verkrijgen en om gevaarlijk verlies van controle over het gereedschap te voorkomen.** Een goede ondersteuning van het werkstuk helpt voorkomen dat het zaagblad vastloopt en een mogelijke terugslag optreedt die kan leiden tot ernstig persoonlijk letsel.

BEDIENING

KENNISGEVING:

- Voordat u het gereedschap inschakelt, dient u het handvat uit zijn omlaagpositie te halen door de aanslagpen naar buiten te trekken.
- Oefen tijdens het zagen geen overmatige druk op het handvat uit. Wanneer u te hard drukt, kan de motor overbelast raken en/of de zaagcapaciteit verminderen. Druk alleen zo hard als nodig is voor soepel zagen zonder dat de draaisnelheid van het zaagblad aanzienlijk vermindert.
- Druk het handvat zachtjes naar beneden om te zagen. Indien het handvat met geweld omlaag wordt gedrukt of zijwaartse druk erop wordt uitgeoefend, zal het zaagblad trillen en een merkteken (zaagteken) in het werkstuk achterlaten, en zal ook de zaagsnede minder nauwkeurig zijn.
- Voor glijdend zagen duwt u de zaagslede langzaam en zonder te stoppen naar de geleider. Als de slede tijdens het zagen wordt gestopt, zal een merkteken in het werkstuk achterblijven en zal de zaagsnede minder nauwkeurig zijn.

⚠ WAARSCHUWING:

- **Zorg ervoor dat het zaagblad niet in aanraking is met het werkstuk e.d. voordat u de trekschakelaar indrukt.** Wanneer u het gereedschap inschakelt terwijl het zaagblad reeds het werkstuk aanraakt, kan dat leiden tot een terugslag en ernstig persoonlijk letsel.

1. Drukkend zagen (zagen van kleine werkstukken) (Fig. 33)

Werkstukken die maximaal 52 mm hoog en 97 mm breed zijn kunt u als volgt zagen.

Duw de slede zo ver mogelijk naar de geleider en zet de slede vast door de twee klemschroeven van de sledestangen naar rechts vast te draaien. Klem het werkstuk vast met het juiste type spanschroef. Schakel het gereedschap in zonder dat het zaagblad met het werkstuk in contact is, en wacht totdat het zaagblad op volle toeren draait. Breng dan het handvat langzaam omlaag naar de laagste positie om het werkstuk te zagen. Nadat het zagen is voltooid, schakelt u het gereedschap uit. **WACHT TOTDAT HET ZAAGBLAD VOLLEDIG TOT STILSTAND IS GEKOMEN** alvorens het zaagblad naar zijn hoogste positie terug te brengen.

⚠ WAARSCHUWING:

- **Draai de twee klemschroeven die de sledestangen vergrendelen stevig rechtsom vast zodat de slede niet kan bewegen tijdens het gebruik.** Door een onvoldoende vast aangedraaide borgschroef kan een terugslag worden veroorzaakt, wat kan leiden tot ernstig persoonlijk letsel.

2. Glijdend (duwend) zagen (zagen van brede werkstukken) (Fig. 34)

Draai de twee klemschroeven van de sledestangen naar links los zodat de slede vrij kan bewegen. Zet het werkstuk vast met de spanschroef. Klem het werkstuk vast met het juiste type spanschroef. Schakel het gereedschap in zonder dat het zaagblad met het werkstuk in contact is, en wacht totdat het zaagblad op volle toeren draait. Druk het handvat omlaag en DUW DE SLEDE NAAR DE GELEIDER OM HET WERKSTUK TE ZAGEN. Nadat het zagen is voltooid, schakelt u het gereedschap uit. **WACHT TOTDAT HET ZAAGBLAD VOLLEDIG TOT STILSTAND IS GEKOMEN** alvorens het zaagblad naar zijn hoogste positie terug te brengen.

⚠ WAARSCHUWING:

- **Bij het glijdend zagen, trekt u eerst de slede helemaal naar u toe en brengt u het handvat helemaal omlaag, waarna u de slede helemaal naar de geleider duwt. Begin nooit met zagen zonder de slede helemaal naar u toe te trekken.** Als u glijdend zaagt zonder dat de slede helemaal naar u toe is getrokken, kan een onverwachte terugslag optreden die kan leiden tot ernstig persoonlijk letsel.
- **Probeer nooit glijdend te zagen door de slede naar u toe te trekken.** Door de slede zingend naar u toe te trekken, kan een onverwachte terugslag optreden die kan leiden tot ernstig persoonlijk letsel.
- Glijdend zagen mag nooit worden uitgevoerd terwijl het handvat in de laagste positie is vergrendeld.
- **Draai de vastzetknop van de slede nooit los terwijl het zaagblad nog draait. Dit kan ernstige verwonding veroorzaken.** Een losse slede tijdens het zagen kan een onverwachte terugslag veroorzaken die kan leiden tot ernstig persoonlijk letsel.

3. Verstekzagen

Zie het gedeelte "Instellen van de verstekhoek" hierboven.

4. Schuine sneden zagen (Fig. 35)

Draai de hendel los en zet het zaagblad schuin om de schuine hoek in te stellen (zie "Instellen van de schuine hoek" hierboven). Draai daarna de hendel weer stevig vast om de gekozen schuine hoek goed vast te houden. Zet het werkstuk vast met een spanschroef. Zorg dat de slede volledig naar u toe is getrokken. Schakel het gereedschap in zonder dat het zaagblad met het werkstuk in contact is en wacht totdat het zaagblad op volle toeren draait. Breng dan het handvat langzaam omlaag naar de laagste positie door druk uit te oefenen evenwijdig met het zaagblad en DUW DE SLEDE NAAR DE GELEIDER OM HET WERKSTUK TE ZAGEN. Nadat het zagen is voltooid, schakelt u het gereedschap uit. **WACHT TOTDAT HET ZAAGBLAD VOLLEDIG TOT STILSTAND IS GEKOMEN** alvorens het zaagblad naar zijn hoogste positie terug te brengen.

⚠ WAARSCHUWING:

- **Nadat het zaagblad is ingesteld op een schuine snede, controleert u voordat u begint te zagen of de slede en het zaagblad vrij kunnen bewegen over de hele lengte van de te maken zaagsnede.** Wanneer de beweging van de slede of het zaagblad tijdens het zagen wordt onderbroken, kan een terugslag worden veroorzaakt die kan leiden tot ernstig persoonlijk letsel.

- **Houd bij het maken van een schuine snede uw handen uit de buurt van het pad van het zaagblad.** De hoek van het zaagblad kan verwarrend werken op de gebruiker met betrekking tot het werkelijke zaagpad dat tijdens het zagen beschreven wordt, en aanraking van het zaagblad zal leiden tot ernstig persoonlijk letsel.
- **Het zaagblad mag niet omhoog gebracht worden voordat het volledig tot stilstand is gekomen.** Tijdens het zagen van een schuine snede kan het afgezaagde deel van het werkstuk tegen het zaagblad aanliggen. Als het zaagblad omhoog wordt gebracht terwijl het nog ronddraait, kan het afgezaagde deel door het zaagblad weggeslingerd worden waardoor het uiteenvalt en ernstig persoonlijk letsel kan veroorzaken.

KENNISGEVING:

- Wanneer u het handvat omlaag drukt, dient u druk uit te oefenen evenwijdig met het zaagblad. Indien u verticale druk op het draaibaar voetstuk uitoefent of de drukrichting tijdens het zagen verandert, zal de zaagsnede minder nauwkeurig zijn.

⚠ LET OP:

- (Alleen voor Europese landen) Klap voor het links schuin zagen altijd het hulpbeschermbord buitenwaarts.

5. Gecombineerd zagen

Gecombineerd zagen betekent dat het werkstuk tegelijk met een schuine hoek en een verstekhoek wordt gezaagd. Gecombineerd zagen is mogelijk voor de hoeken aangegeven in de onderstaande tabel.

Verstekhoek	Schuine hoek
Links en Rechts 45°	Links 0° – 45°
Rechts 50°	Links 0° – 40°
Rechts 55°	Links 0° – 30°
Rechts 57°	Links 0° – 25°

006393

Voor het zagen van een schuine snede links

Tabel (A)

	Sierlijst-gedeelte in Fig. 37 en 38	Schuine hoek		Verstekhoek	
		Hoek 52/38°	Hoek 45°	Hoek 52/38°	Hoek 45°
Binnenhoek	(1)	Links 33,9°	Links 30°	Rechts 31,6°	Rechts 35,3°
	(2)			Links 31,6°	Links 35,3°
Buitenhoek	(3)			Rechts 31,6°	Rechts 35,3°
	(4)				

006361

Tabel (B)

	Sierlijst-gedeelte in Fig. 37 en 38	Kant van de sierlijst die tegen de geleider moet liggen	Afgewerkt werkstuk
Binnenhoek	(1)	Kant die tegen het plafond komt moet tegen de geleider liggen.	Het afgewerkte werkstuk ligt aan de linkerkant van het zaagblad.
	(2)	Kant die tegen de wand komt moet tegen de geleider liggen.	
Buitenhoek	(3)	Kant die tegen het plafond komt moet tegen de geleider liggen.	Het afgewerkte werkstuk ligt aan de rechterkant van het zaagblad.
	(4)		

006362

Voor de bedieningen voor gecombineerd zagen, zie de beschrijvingen onder “Drukkend zagen”, “Glijdend (duwend) zagen”, “Verstekzagen”, en “Schuine sneden zagen”.

6. Kroon-profiellijsten en kwarthol-profiellijsten zagen

Kroon-profiellijsten en kwarthol-profiellijsten kunnen worden gezaagd op een gecombineerd-verstekzaag waarbij de sierlijsten plat op het draaibaar voetstuk liggen.

Er zijn twee veelvoorkomende typen kroon-profiellijsten en één veelvoorkomend type kwarthol-profiellijsten: kroon-profiellijsten met een wandhoek van 52/38°, kroon-profiellijsten met een wandhoek van 45°, en kwarthol-profiellijsten met een wandhoek van 45°. Zie de afbeeldingen. (Fig. 36)

Er zijn verbindingen van kroon-profiellijsten en van kwarthol-profiellijsten die passen in binnenhoeken van 90° (zie (1) en (2) in Fig. 37 en 38), en om buitenboeken van 90° (zie (3) en (4) in Fig. 37 en 38).

Opmeten

Meet de lengte van de wand en leg het werkstuk op het draaibaar voetstuk om de kant die tegen de wand komt af te zagen op de gewenste lengte. Zorg er altijd voor dat de lengte van het afgezaagde werkstuk gemeten **op de achterkant** hetzelfde is als de lengte van de wand. Zaag de uiteinden onder de benodigde hoek af. Gebruik altijd meerdere proefwerkstukken om de benodigde zaaghoek te controleren.

Bij het zagen van kroon-profiellijsten en kwarthol-profiellijsten stelt u de verstekhoek en schuine hoek in, zoals aangegeven in tabel (A), en legt u de sierlijst op het bovenoppervlak van het draaibaar voetstuk, zoals aangegeven in tabel (B).

Voorbeeld:

In het geval u een kroon-profiellijst zaagt van het type 52/38° voor gedeelte (1) in **Fig. 37 en 38**:

- Kantel de zaag naar de stand voor een schuine hoek van 33,9° LINKS.
- Stel een verstekhoek in van 31,6° RECHTS.
- Leg de kroon-profiellijst op het gereedschap met de achterkant (verborgen) naar onderen gericht op het draaibaar voetstuk en de KANT DIE TEGEN HET PLAFOND KOMT tegen de geleider.
- Het afgewerkte werkstuk dat u gaat gebruiken ligt altijd LINKS van het zaagblad nadat het zagen klaar is.

Voor het zagen van een schuine snede rechts

Tabel (A)

	Sierlijst-gedeelte in Fig. 37 en 38	Schuine hoek		Verstekhoek	
		Hoek 52/38°	Hoek 45°	Hoek 52/38°	Hoek 45°
Binnenhoek	(1)	Rechts 33,9°	Rechts 30°	Rechts 31,6°	Rechts 35,3°
	(2)			Links 31,6°	Links 35,3°
Buitenhoek	(3)			Rechts 31,6°	Rechts 35,3°
	(4)				

006363

Tabel (B)

	Sierlijst-gedeelte in Fig. 37 en 38	Kant van de sierlijst die tegen de geleider moet liggen	Afgewerkt werkstuk
Binnenhoek	(1)	Kant die tegen de wand komt moet tegen de geleider liggen.	Het afgewerkte werkstuk ligt aan de rechterkant van het zaagblad.
	(2)	Kant die tegen het plafond komt moet tegen de geleider liggen.	
Buitenhoek	(3)	Kant die tegen de wand komt moet tegen de geleider liggen.	Het afgewerkte werkstuk ligt aan de linkerkant van het zaagblad.
	(4)		

006364

Voorbeeld:

In het geval u een kroon-profiellijst zaagt van het type 52/38° voor gedeelte (1) in **Fig. 37 en 38**:

- Kantel de zaag naar de stand voor een schuine hoek van 33,9° RECHTS.
- Stel een verstekhoek in van 31,6° RECHTS.
- Leg de kroon-profiellijst op het gereedschap met de achterkant (verborgen) naar onderen gericht op het draaibaar voetstuk en de KANT DIE TEGEN DE WAND KOMT tegen de geleider.
- Het afgewerkte werkstuk dat u gaat gebruiken ligt altijd RECHTS van het zaagblad nadat het zagen klaar is.

7. Houten hulpstuk (Fig. 39)

Het gebruik van een houten hulpstuk helpt om splinter-vrije sneden te krijgen. Gebruik de gaten in de geleider om een houten hulpstuk aan de geleider te bevestigen. Zie de afbeelding voor de afmetingen van een dergelijk houten hulpstuk.

⚠ LET OP:

- Gebruik als houten hulpstuk een recht stuk hout van gelijke dikte.

⚠ WAARSCHUWING:

- **Bevestig het houten hulpstuk aan de geleider met behulp van schroeven. De schroeven moeten zodanig worden gemonteerd dat de schroefkoppen onder het oppervlak van het houten hulpstuk vallen zo dat ze niet in de weg zitten van het werkstuk dat wordt gezaagd.** Als het werkstuk dat wordt gezaagd verkeerd is uitgelijnd, kan het tijdens het zagen onverwacht gaan bewegen, wat kan leiden tot verlies van controle over het gereedschap en ernstig persoonlijk letsel.

KENNISGEVING:

- Draai de draaitafel na het bevestigen van het houten hulpstuk niet met het handvat in de omlaagpositie. Als u dit doet, kan het zaagblad en/of het houten hulpstuk worden beschadigd.

8. Stukken van gelijke lengte zagen (Fig. 40)

Wanneer u verschillende stukken van dezelfde lengte tussen 220 mm en 385 mm wilt zagen, kunt u gemakkelijker werken door de stelplaat (los verkrijgbaar accessoire) te gebruiken. Monteer de stelplaat op de houder (los verkrijgbaar accessoire) zoals afgebeeld.

Breng de zaaglijn op uw werkstuk op één lijn met de linkerzijde of de rechterzijde van de groef in de zaagsnedeplaat. Houd het werkstuk vast zodat het niet kan bewegen, en plaats de stelplaat vlak tegen het einde van het werkstuk. Zet daarna de stelplaat vast met de schroef. Wanneer u de stelplaat niet gebruikt, draait u de schroef los en draait u de stelplaat uit de weg.

OPMERKING:

- Door de houder/stang montage (los verkrijgbaar accessoire) te gebruiken kunt u stukken van dezelfde lengte van ongeveer maximaal 2 200 mm zagen.

9. Groeven zagen (Fig. 41)

Sokkel-type zaagsneden kunnen als volgt worden gemaakt:

Stel de laagste positie van het zaagblad in met behulp van de stelschroef en de aanslagarm, om de zaagdiepte van het zaagblad te beperken. Zie "Aanslagarm" hierboven.

Nadat de laagste positie van het zaagblad is ingesteld, kunt u evenwijdige groeven over de breedte van het werkstuk zagen door gebruik te maken van de methode voor glijdend (duwend) zagen, zoals afgebeeld. Verwijder daarna het werkstukmateriaal tussen de groeven met behulp van een beitel.

⚠ WAARSCHUWING:

- **Probeer niet dit type zaagsnede uit te voeren met een breder zaagblad of sokkelzaagblad.** Als u probeert een groef te zagen met een breder zaagblad of een sokkelzaagblad, kan dat resulteren in een onverwacht zaagresultaat en een terugslag die kan leiden tot ernstig persoonlijk letsel.
- **Breng de aanslagarm terug naar zijn oorspronkelijke positie voor andere zaagbedieningen dan het zagen van groeven.** Als u een zaagsnede probeert te zagen met de aanslagarm in de verkeerde positie, kan dat resulteren in een onverwacht zaagresultaat en een terugslag die kan leiden tot ernstig persoonlijk letsel.

Het gereedschap dragen (Fig. 42 en 43)

Zorg ervoor dat de accu is verwijderd. Zet het zaagblad vast op een verticaal-verstekhoek van 0° en de draaitafel op de maximale horizontaal-verstekhoek naar rechts. Zet de schuifstangen zodanig vast dat de onderste schuifstang is vergrendeld in de stand waarbij de slede geheel naar de gebruiker is getrokken, en de bovenste schuifstangen zijn vergrendeld in de stand waarbij de slede geheel naar voren is getrokken in de richting van de geleider. Breng het handvat omlaag en vergrendel deze in de laagste stand door de aanslagpen in te duwen.

Draag het gereedschap door beide zijden van de gereedschapsvoet vast te houden, zoals afgebeeld. Het gereedschap is gemakkelijker om dragen wanneer u de houders, stofzak, enz., ervan verwijderd.

⚠ LET OP:

- Zet alle bewegende onderdelen vast alvorens het gereedschap te dragen. Als tijdens het dragen onderdelen van het gereedschap bewegen of verschuiven, kunt u uw balans of de controle over het gereedschap verliezen, wat kan leiden tot persoonlijk letsel.

⚠ WAARSCHUWING:

- **De aanslagpen is uitsluitend bedoeld te worden gebruikt tijdens het dragen en bewaren van het gereedschap, en mag nooit worden gebruikt tijdens het zagen.** Het gebruik van de aanslagpen tijdens het zagen kan leiden tot onverwachte bewegingen van het zaagblad, wat kan leiden tot een terugslag en ernstig persoonlijk letsel.

ONDERHOUD

⚠ LET OP:

- Zorg altijd dat het gereedschap is uitgeschakeld en de accu ervan is verwijderd alvorens te beginnen met onderhoud of inspectie.

⚠ WAARSCHUWING:

- **Zorg altijd dat het zaagblad scherp en schoon is om optimale en veilige prestaties te krijgen.** Als u probeert te zagen met een bot en/of vuil zaagblad, kan een terugslag optreden die kan leiden tot ernstig persoonlijk letsel.

KENNISGEVING:

- Gebruik nooit benzine, wasbenzine, thinner, alcohol en dergelijke. Hierdoor het verkleuring, vervormingen en barsten worden veroorzaakt.

Afstellen van de zaaghoek

Dit gereedschap werd in de fabriek nauwkeurig afgesteld en uitgelijnd, maar door ruwe behandeling kan de uitlijning ervan verslechterd zijn. Doe het volgende indien uw gereedschap niet meer juist is uitgelijnd:

1. Verstekhoek

Duw de slede naar de geleider toe en draai twee klemmschroeven vast om de slede vast te zetten.

Draai de handgreep los om de draaitafel los te maken. Draai de draaitafel zodat de wijzer wijst naar 0° op de verstekschaal. Draai daarna de draaitafel een beetje naar rechts en naar links zodat hij in de 0° verstek-inkeping komt te zitten. (Laat de draaitafel zoals hij is indien de wijzer niet naar 0° wijst.) Draai de zeskant-inbusbout van de geleider los met de zeskant-inbusleutel.

(Fig. 44)

Breng het handvat volledig omlaag en vergrendel het in de laagste positie door de aanslagpen in te drukken. Gebruik een driehoekslijnaal of een winkelhaak e.d. om de zijde van het zaagblad haaks te zetten ten opzichte van het vlak van de geleider. Draai vervolgens de zeskant-inbusbout op de geleider stevig vast, beginnend vanaf de rechterzijde. (Fig. 45)

Controleer of de wijzer wijst naar 0° op de verstekschaal. Indien de wijzer niet naar 0° wijst, draait u de bevestigingsschroef van de wijzer los en stelt u de wijzer juist in zodat hij naar 0° wijst. (Fig. 46)

2. Schuine hoek

1. 0° schuine hoek

Duw de slede naar de geleider toe en draai twee klemmschroeven vast om de slede vast te zetten. Breng het handvat volledig omlaag en vergrendel het in de laagste positie door de aanslagpen in te drukken.

Draai de hendel op de achterkant van het gereedschap los.

Draai de 0° schuine-hoek stelbout (onderste bout) op de rechterzijde van de arm twee of drie slagen naar links om het zaagblad naar rechts te doen hellen. (Fig. 47)

Zet de zijde van het zaagblad haaks ten opzichte van het bovenvlak van de draaitafel door de 0° schuine-hoek stelbout voorzichtig naar rechts te draaien; gebruik hiervoor een driehoekslijnaal, een winkelhaak, e.d. Draai vervolgens de hendel stevig vast. (Fig. 48)

Controleer of de wijzer op de arm wijst naar 0° op de schuine-hoek schaal op de armhouder. Indien niet, draai dan de bevestigingsschroef van de wijzer los en verstel de wijzer zodat hij naar 0° wijst. (Fig. 49)

2. 45° schuine hoek

Stel de 45° schuine hoek pas in nadat de 0° schuine hoek is ingesteld. Voor het instellen van de linkse 45° schuine hoek, draait u de hendel los en doet u het zaagblad volledig naar links hellen. Controleer of de wijzer op de arm wijst naar 45° op de schuine-hoek schaal op de armhouder. Indien niet, dan draait u de 45° schuine-hoek stelbout (bovenste bout) op de rechterzijde van de arm totdat de wijzer naar 45° wijst. (Fig. 50)

Vervangen van de koolborstels (Fig. 51 en 52)

Verwijder en controleer regelmatig de koolborstels. Vervang de koolborstels wanneer deze tot aan de limietmerkstreef versleten zijn. Houd de koolborstels schoon zodat ze vlot in hun houders glijden. Beide koolborstels dienen tegelijkertijd te worden vervangen. Gebruik uitsluitend identieke koolborstels.

Gebruik een schroevendraaier om de koolborsteldoppen te verwijderen. Haal de versleten koolborstels eruit, schuif de nieuwe erin, en zet de koolborsteldoppen goed vast.

Na het gebruik

- Veeg na gebruik alle zaagsel en stof op het gereedschap eraf met een doek of iets dergelijks. Houd de beschermkap schoon volgens de instructies die in de paragraaf "Beschermkap" werden beschreven. Smeer de glijdende onderdelen in met machine-olie om roestvorming te voorkomen.
- Wanneer u de machine opbergt, moet u de slede zo ver mogelijk naar u toe trekken zodat de glijstangen helemaal in het draaibaar voetstuk komen te zitten.

Om de VEILIGHEID en BETROUWBAARHEID van het gereedschap te handhaven, dienen alle reparaties, onderhoud of afstellingen te worden uitgevoerd bij een erkend Makita servicecentrum, en altijd met gebruik van Makita vervangingsonderdelen.

OPTIONELE ACCESSOIRES

⚠ WAARSCHUWING:

- **Deze accessoires of hulpstukken worden aanbevolen voor gebruik met het Makita gereedschap dat in deze gebruiksaanwijzing is beschreven.** Het gebruik van enige andere accessoires of hulpstukken kan leiden tot ernstig persoonlijk letsel.
- **Gebruik de Makita-accessoires of -hulpstukken uitsluitend voor de aangegeven gebruiksdoelinden.** Misbruik van een accessoire of hulpstuk kan leiden tot ernstig persoonlijk letsel.

Wenst u meer bijzonderheden over deze accessoires, neem dan contact op met het plaatselijke Makita servicecentrum.

- Hardmetalen zaagbladen
- Spanschroefmontage (Horizontale spanschroef)
- Verticale spanschroef
- Houderstet
- Houdermontage
- Houder/stang montage
- Stelplaat
- Stofzak
- Driehoeksliniaal
- Inbussleutel
- Diverse types originele Makita accu's en acculaders

OPMERKING:

- Sommige van de onderdelen in deze lijst kunnen bijgeleverd zijn als standaard-accessoires. Deze accessoires kunnen per land verschillend zijn.

ENG905-1

Geluidsniveau

De typisch, A-gewogen geluidsniveaus vastgesteld volgens EN61029:

Geluidsdrukniveau (L_{pA}): 88 dB (A)
Geluidsenergie-niveau (L_{WA}): 98 dB (A)
Onnauwkeurigheid (K): 3 dB (A)

Draag oorbeschermers

ENG900-1

Trilling

De totaalwaarde van de trillingen (triaxiale vector) vastgesteld volgens EN61029:

Trillingsemmissie (a_{h1}): 2,5 m/s² of lager
Onnauwkeurigheid (K): 1,5 m/s²

ENG901-1

- De opgegeven trillingsemmissiewaarde is gemeten volgens de standaardtestmethode en kan worden gebruikt om dit gereedschap te vergelijken met andere gereedschappen.
- De opgegeven trillingsemmissiewaarde kan ook worden gebruikt voor een beoordeling vooraf van de blootstelling.

⚠ WAARSCHUWING:

- De trillingsemmissie tijdens het gebruik van het elektrisch gereedschap in de praktijk kan verschillen van de opgegeven trillingsemmissiewaarde afhankelijk van de manier waarop het gereedschap wordt gebruikt.
- Zorg ervoor dat veiligheidsmaatregelen worden getroffen ter bescherming van de operator die zijn gebaseerd op een schatting van de blootstelling onder praktijkomstandigheden (rekening houdend met alle fasen van de bedrijfscyclus, zoals de tijdsduur gedurende welke het gereedschap is uitgeschakeld en stationair draait, naast de ingeschakelde tijdsduur).

ENH003-15

Alleen voor Europese landen

EU-Verklaring van Conformiteit

Makita verklaart hierbij dat de volgende machine(s):

Aanduiding van de machine:
Schuifbare accu-afkortverstekzaag
Modelnr./ Type: DLS713

Voldoen aan de volgende Europese richtlijnen:

2006/42/EU

Ze zijn gefabriceerd in overeenstemming met de volgende norm of genormaliseerde documenten:

EN61029

Het technisch documentatiebestand volgens 2006/42/EU is verkrijgbaar in:

Makita, Jan-Baptist Vinkstraat 2, 3070, België

30.6.2014



Yasushi Fukaya
Directeur

Makita, Jan-Baptist Vinkstraat 2, 3070, België

Explicación de los dibujos

1 Pasador de retención	29 Botón de liberación	56 Conjunto de soporte
2 Perno	30 Escala de bisel	57 Pomo de la mordaza
3 Perno de ajuste	31 Brazo	58 Proyección
4 Parte roja	32 Tornillo	59 Eje de la mordaza
5 Botón	33 Gatillo interruptor	60 Base
6 Cartucho de batería	34 Botón de desbloqueo	61 Barra de 12
7 Marca de estrella	35 Agujero para candado	62 Tornillo de fijación
8 Protector de disco	36 Portallaves	63 Moldura corona tipo 52/38°
9 Protector de disco A	37 Llave hexagonal	64 Moldura corona tipo 45°
10 Protector de disco B	38 Cubierta central	65 Moldura cóncava tipo 45°
11 Tornillo de apriete manual	39 Llave hexagonal	66 Esquina interior
12 Placa de corte	40 Perno de cabeza hueca hexagonal	67 Esquina exterior
13 Disco de sierra	41 Brida exterior	68 Más de 15 mm (5/8")
14 Dientes del disco	42 Bloqueo del eje	69 Más de 420 mm (16-1/2")
15 Corte en bisel izquierdo	43 Flecha	70 Agujeros
16 Corte recto	44 Caja del disco	71 Placa de presión
17 Guía lateral	45 Perno de cabeza hueca hexagonal (rosca hacia la izquierda)	72 Corte ranuras con el disco
18 Base giratoria	46 Brida interior	73 Escuadra
19 Parte superior de la mesa giratoria	47 Brida interior	74 Soporte de brazo
20 Periferia del disco	48 Eje	75 Perno de ajuste del ángulo de bisel a 0 grados
21 Tornillo de ajuste	49 Bolsa de polvo	76 Perno de ajuste del ángulo de bisel a 45 grados a la izquierda
22 Brazo de retención	50 Boquilla de polvo	77 Marca límite
23 Guía secundaria	51 Cierre	78 Tapón portaescobillas
24 Puntero	52 Apoyo	79 Destornillador
25 Escala de inglete	53 Brazo de la mordaza	
26 Palanca de bloqueo	54 Barra de la mordaza	
27 Mango	55 Soporte	
28 Palanca		

ESPECIFICACIONES

Modelo

DLS713

Diámetro del disco.....	190 mm
Grosor de la hoja de sierra.....	1,3 mm – 2,0 mm
Diámetro del agujero (eje).....	20 mm
Ángulo de inglete máximo.....	Izquierda 47°, Derecha 57°
Ángulo de bisel máximo.....	Izquierda 45°, Derecha 5°

Capacidades de corte máximas (Al x An) con disco de 190 mm de diámetro.

Ángulo de inglete	Ángulo de bisel		
	45° (izquierda)	0°	5° (derecha)
0°	25 mm x 300 mm	52 mm x 300 mm	40 mm x 300 mm
	—	*60 mm x 265 mm (Nota 1)	—
45° (izquierda y derecha)	25 mm x 212 mm	52 mm x 212 mm	—
	—	*60 mm x 185 mm (Nota 2)	—
57° (derecha)	—	52 mm x 163 mm	—
	—	*60 mm x 145 mm (Nota 3)	—

Velocidad en vacío (min ⁻¹).....	2.200
Dimensiones (L x A x A).....	655 mm x 430 mm x 454 mm
Peso neto.....	12,7 kg
Tensión nominal.....	18 V CC

(Nota)

La marca * indica que se utiliza una garnición de madera del grosor siguiente.

1: Cuando se utilice una garnición de madera de 20 mm de grosor.

2: Cuando se utilice una garnición de madera de 15 mm de grosor.

3: Cuando se utilice una garnición de madera de 10 mm de grosor.

- Debido a un programa continuo de investigación y desarrollo, las especificaciones aquí dadas están sujetas a cambios sin previo aviso.
- Las especificaciones y el cartucho de batería pueden diferir de país a país.
- Peso, con el cartucho de batería, de acuerdo con el procedimiento EPTA 01/2003

Uso previsto

La herramienta ha sido prevista para hacer cortes precisos rectos y de inglete en madera.

Advertencias de seguridad generales para herramientas eléctricas

⚠ ¡ADVERTENCIA! Lea todas las advertencias de seguridad y todas las instrucciones. Si no sigue todas las advertencias e instrucciones podrá ocasionar una descarga eléctrica, un incendio y/o heridas graves.

Guarde todas las advertencias e instrucciones para futuras referencias.

ADVERTENCIAS DE SEGURIDAD PARA LA SIERRA DE INGLETE INALÁMBRICA

1. Mantenga las manos apartadas del recorrido del disco de sierra. Evite el contacto con cualquier disco cuando esté girando por inercia. Incluso entonces puede causar heridas graves.
2. Inspeccione el disco de sierra cuidadosamente para ver si tiene grietas o deformación antes de comenzar la operación. Reemplace el disco dañado inmediatamente.
3. Reemplace la placa de corte cuando se gaste.
4. Utilice solamente discos de sierra que cumplan con la norma EN847-1 especificados por el fabricante.
5. No utilice discos de sierra fabricados con acero rápido.
6. Utilice protección para los ojos.
7. Póngase protección para los oídos para reducir el riesgo de sufrir pérdida auditiva.
8. Póngase guantes para manejar el disco de sierra (los discos de sierra deberán ser transportados en un portadiscos siempre que sea posible) y materiales bastos.
9. Conecte las sierras de inglete a un dispositivo de recogida de polvo cuando sierre.
10. Seleccione los discos de sierra según el material a cortar.
11. No utilice la sierra para cortar otra cosa que no sea madera.
12. Sujete siempre todas las partes móviles antes de transportar la herramienta. Cuando levante o transporte la herramienta, no utilice el protector como asa de transporte.
13. No utilice la sierra sin los protectores puestos. Compruebe que el protector del disco se cierra debidamente antes de cada uso. No utilice la sierra si el protector del disco no se mueve libremente y se cierra instantáneamente. No sujete ni ate nunca el protector del disco en la posición abierta.
14. Mantenga el área del suelo libre de material, por ejemplo, virutas y recortes de madera.
15. Utilice solamente discos de sierra que estén marcados con una velocidad máxima igual o mayor que la velocidad sin carga marcada en la herramienta.
16. Cuando la herramienta esté equipada con un láser o LED, no reemplace el láser o el LED con uno de tipo diferente. Pida a un centro de servicio autorizado que le hagan la reparación.
17. No retire nunca ningún recorte de madera u otras partes de la pieza de trabajo del área de corte mientras la herramienta está funcionando con un disco de sierra desprotegido.
18. No realice ninguna operación sin sujetar la pieza de trabajo. La pieza de trabajo deberá estar sujeta firmemente contra la base giratoria y la guía lateral con la mordaza durante todas las operaciones. No utilice nunca su mano para sujetar la pieza de trabajo.
19. Asegúrese de que la herramienta esté estable antes de cada corte.
20. Fije la herramienta a un banco de trabajo, si es necesario.
21. Apoye las piezas de trabajo largas con soportes adicionales apropiados.
22. No corte nunca piezas de trabajo pequeñas que no puedan ser sujetadas firmemente con la mordaza. Una pieza de trabajo sujeta incorrectamente puede ocasionar retrocesos bruscos y heridas personales graves.
23. No se acerque nunca alrededor del disco de sierra.
24. Apague la herramienta y espere hasta que el disco de sierra se haya parado antes de mover la pieza de trabajo o de cambiar los ajustes.
25. Desenchufe la herramienta antes de cambiar el disco o hacerle el mantenimiento.
26. El pasador de tope que bloquea el cabezal de corte en posición bajada es solamente para transportar y almacenar la herramienta y no para ninguna operación de corte.
27. No utilice la herramienta donde haya líquidos o gases inflamables. La operación eléctrica de la herramienta puede crear una explosión e incendio cuando es expuesta a líquidos o gases inflamables.
28. Utilice solamente las bridas especificadas para esta herramienta.
29. Tenga cuidado de no dañar el eje, las bridas (en especial la superficie de instalación) o el perno. Si estas piezas resultan dañadas se podrá romper el disco.
30. Asegúrese de que la base giratoria esté debidamente sujeta de forma que no se mueva durante la operación.
31. Por su propia seguridad, antes de iniciar la operación quite las virutas, pequeños trozos de material, etc. de la superficie superior de la mesa.
32. Evite cortar clavos. Antes de iniciar la operación, inspeccione y extraiga todos los clavos que haya en la pieza de trabajo.
33. Antes de activar el interruptor, asegúrese de que el bloqueo del eje esté quitado.
34. Asegúrese de que el disco no toque la base giratoria cuando esté en la posición más baja.
35. Sujete la empuñadura firmemente. Tenga presente que la sierra se mueve un poco hacia arriba y hacia abajo durante el inicio y la parada.
36. Asegúrese de que el disco no esté tocando la pieza de trabajo antes de activar el interruptor.
37. Antes de utilizar la herramienta para cortar la pieza de trabajo definitiva, déjela funcionar durante un rato. Observe para ver si se producen vibraciones o bamboleos que puedan indicar que el disco está mal instalado o mal equilibrado.

38. Espere a que el disco alcance plena velocidad antes de cortar.
39. Detenga la operación inmediatamente si nota algo anormal.
40. No intente bloquear el gatillo en la posición activada.
41. Esté alerta en todo momento, especialmente durante las operaciones repetitivas y monótonas. No se deje llevar por el falso sentido de seguridad. Los discos de sierra nunca perdonan un descuido.
42. Emplee siempre los accesorios recomendados en este manual. El empleo de accesorios incorrectos tales como muelas abrasivas puede ocasionar heridas.
43. Tenga cuidado cuando abra ranuras.
44. El polvo de las operaciones de corte algunas veces contiene productos químicos que se sabe ocasionan cáncer, defectos de nacimiento u otros peligros relacionados con la reproducción. Algunos ejemplos de estos productos químicos son:
 - plomo de materiales pintados con pinturas que contengan plomo.
 - arsénico y cromo de maderas tratadas químicamente.
45. Para reducir el ruido emitido, asegúrese siempre de que el disco esté afilado y limpio.
46. El operario deberá estar debidamente preparado para utilizar, ajustar y manejar la herramienta.
4. Si entra electrólito en sus ojos, aclárelos con agua limpia y vea a un médico inmediatamente. Existe el riesgo de poder perder la vista.
5. No cortocircuite el cartucho de batería:
 - (1) No toque los terminales con ningún material conductor.
 - (2) Evite guardar el cartucho de batería en un cajón junto con otros objetos metálicos, tales como clavos, monedas, etc.
 - (3) No exponga el cartucho de batería al agua ni a la lluvia.
Un cortocircuito en la batería puede producir una gran circulación de corriente, un recalentamiento, posibles quemaduras e incluso una rotura de la misma.
6. No guarde la herramienta ni el cartucho de batería en lugares donde la temperatura pueda alcanzar o exceder los 50°C.
7. Nunca incinere el cartucho de batería incluso en el caso de que esté dañado seriamente o ya no sirva en absoluto.
El cartucho de batería puede explotar si se tira al fuego.
8. Tenga cuidado de no dejar caer ni golpear el cartucho de batería.
9. No utilice una batería dañada.

GUARDE ESTAS INSTRUCCIONES.

Consejos para alargar al máximo la vida de servicio de la batería

1. Cargue el cartucho de batería antes de que se descargue completamente.
Pare siempre la operación y cargue el cartucho de batería cuando note menos potencia en la herramienta.
2. No cargue nunca un cartucho de batería que esté completamente cargado.
La sobrecarga acortará la vida de servicio de la batería.
3. Cargue el cartucho de batería a temperatura ambiente de 10°C – 40°C. Si un cartucho de batería está caliente, déjelo enfriar antes de cargarlo.
4. Cargue el cartucho de batería una vez cada seis meses si no lo utiliza durante un periodo de tiempo prolongado.

INSTALACIÓN

Montaje en un banco de trabajo

Cuando la herramienta sale de fábrica, la empuñadura está bloqueada en la posición bajada con el pasador de retención. Suelte el pasador de tope aplicando simultáneamente una ligera presión hacia abajo en la empuñadura y tirando del pasador de tope. (Fig. 1)

⚠ ADVERTENCIA:

- Asegúrese de que la herramienta no se moverá en la superficie de apoyo. El movimiento de la sierra de inglete en la superficie de apoyo mientras hace el corte puede dar lugar a la pérdida del control y graves heridas personales.

GUARDE ESTAS INSTRUCCIONES.

⚠ ADVERTENCIA:

NO deje que la comodidad o familiaridad con el producto (a base de utilizarlo repetidamente) sustituya la estricta observancia de las normas de seguridad para el producto en cuestión. El MAL USO o el no seguir las normas de seguridad establecidas en este manual de instrucciones podrá ocasionar graves heridas personales.

ENC007-7

INSTRUCCIONES DE SEGURIDAD IMPORTANTES

PARA EL CARTUCHO DE BATERÍA

1. Antes de utilizar el cartucho de batería, lea todas las instrucciones e indicaciones de precaución sobre (1) el cargador de baterías, (2) la batería, y (3) el producto con el que se utiliza la batería.
2. No desarme el cartucho de batería.
3. Si el tiempo de uso del cartucho de batería se acorta demasiado, deje de usarlo inmediatamente. Podría resultar en un riesgo de recalentamiento, posibles quemaduras e incluso una explosión.

Esta herramienta se deberá fijar con dos pernos a una superficie nivelada y estable utilizando los agujeros para pernos provistos en la base de la herramienta. Esto ayudará a evitar que se vuelque y pueda ocasionar heridas. (Fig. 2)

Gire el perno de ajuste hacia la derecha o hacia la izquierda de forma que toque la superficie del suelo para mantener estable la herramienta. (Fig. 3)

DESCRIPCIÓN DEL FUNCIONAMIENTO

⚠ ADVERTENCIA:

- **Asegúrese siempre de que la herramienta esté apagada y el cartucho de batería extraído antes de ajustar o comprobar las funciones de la herramienta.** Si no apaga la herramienta y extrae el cartucho de batería podrá sufrir graves heridas personales a causa de un arranque accidental.

Instalación o extracción del cartucho de batería (Fig. 4)

- Apague siempre la herramienta antes de insertar o extraer el cartucho de batería.
- Para extraer el cartucho de batería, sáquelo de la herramienta a la vez que desliza el botón de la parte frontal del cartucho.
- Para insertar el cartucho de batería, alinee la lengüeta del cartucho de batería con la acanaladura en el alojamiento y deslícelo hasta que encaje en su sitio. Insértelo siempre a tope hasta que se bloquee en su sitio produciendo un pequeño chasquido. Si puede ver la parte roja del lado superior del botón, no estará bloqueado completamente. Insértelo firmemente hasta que no pueda verse la parte roja. En caso contrario, podrá caerse accidentalmente de la herramienta y ocasionarle heridas a usted o a alguien que esté cerca de usted.
- No emplee fuerza cuando inserte el cartucho de batería. Si el cartucho no se desliza al interior fácilmente, será porque no está siendo insertado correctamente.

Sistema de protección de la batería (Batería de litio-ión con marca de estrella) (Fig. 5)

Las baterías de litio-ión con marca de estrella están equipadas con un sistema de protección. Este sistema corta automáticamente la alimentación de la herramienta para alargar la vida útil de la batería.

La herramienta se detendrá automáticamente durante la operación si la herramienta y/o la batería son puestas en una de las condiciones siguientes:

- Sobrecargada:
La herramienta es utilizada de una manera que da lugar a que tenga que absorber una corriente anormalmente alta.
En esta situación, suelte el gatillo interruptor de la herramienta y detenga la tarea que ocasiona la sobrecarga de la herramienta. Después apriete el gatillo interruptor otra vez para volver a ponerla en marcha. Si la herramienta no se pone en marcha, la batería estará recalentada. En esta situación, deje que la batería se enfríe antes de apretar el gatillo interruptor otra vez.
- Tensión baja en la batería:
La capacidad de batería restante es muy baja y la herramienta no funcionará. En esta situación, extraiga la batería y vuelva a cargarla.

Protector de disco

Para todos los países excepto los países europeos (Fig. 6)

Al bajar la empuñadura, el protector del disco se sube automáticamente. El protector es accionado por resorte por lo que retorna a su posición original cuando se completa el corte y se sube la empuñadura.

⚠ ADVERTENCIA:

- **No anule ni quite nunca el protector de disco ni el resorte que hay en el protector.** Un disco expuesto como resultado de una guarda anulada puede dar lugar a graves heridas personales durante la operación.

En beneficio de su seguridad personal, mantenga el protector del disco siempre en buen estado. Cualquier operación irregular del protector de disco deberá ser corregida inmediatamente. Compruebe para asegurarse de que el protector de disco retorna accionado por resorte.

⚠ ADVERTENCIA:

- **No utilice nunca la herramienta si la guarda del disco o el resorte está dañado, defectuoso o quitado.** La utilización de la herramienta con una guarda dañada, defectuosa o quitada puede dar lugar a graves heridas personales.

Para países europeos (Fig. 7)

Al bajar la empuñadura, el protector del disco A se sube automáticamente. El protector del disco B se sube al hacer contacto con la pieza de trabajo. Los protectores se accionan por resorte por lo que retornarán a su posición original cuando se complete el corte y sea subida la empuñadura.

⚠ ADVERTENCIA:

- **No anule ni quite nunca el protector de disco ni el resorte que hay en el protector.** Un disco expuesto como resultado de una guarda anulada puede dar lugar a graves heridas personales durante la operación.

En beneficio de su seguridad personal, mantenga cada protector del disco siempre en buen estado. Cualquier operación irregular de los protectores del disco deberá ser corregida inmediatamente. Compruebe para asegurarse de que los protectores del disco retornan accionados por resorte.

⚠ ADVERTENCIA:

- **No utilice nunca la herramienta si la guarda del disco o el resorte está dañado, defectuoso o quitado.** La utilización de la herramienta con una guarda dañada, defectuosa o quitada puede dar lugar a graves heridas personales.

Si el protector de disco transparente se ensucia, o si se adhiere a él serrín de tal forma que no pueda verse fácilmente el disco y/o la pieza de trabajo, extraiga el cartucho de batería y limpie el protector cuidadosamente con un paño húmedo.

No utilice disolventes ni ningún producto de limpieza a base de petróleo para limpiar la guarda de plástico por que pueden causar daños a la guarda.

Si la guarda del disco se ensucia y necesita ser limpiada para su correcta utilización, siga los pasos de abajo:

Con la herramienta apagada y el cartucho de batería extraído, utilice la llave hexagonal suministrada para aflojar el perno de cabeza hueca hexagonal que sujeta la cubierta central. Afloje el perno de cabeza hueca hexagonal girándolo hacia la izquierda y suba el protector de disco y la cubierta central. (Fig. 8)

Con el protector de disco en esta posición, la limpieza se puede hacer de forma más completa y eficiente. Cuando haya completado la limpieza, invierta el procedimiento de arriba y apriete el perno. No quite el resorte que sujeta el protector de disco. Si la guarda del disco se daña con el paso del tiempo o por la exposición a los rayos ultravioleta, póngase en contacto con el Centro de servicio Makita para adquirir una guarda nueva.

NO ANULE NI quite LA GUARDA.

Posicionamiento de las placas de corte (Fig. 9 y 10)

Esta herramienta se provee con placas de corte en la base giratoria para minimizar el desgarro en el lado de salida de un corte. Las placas de corte se ajustan en fábrica para que el disco de sierra no las toque. Antes de usar la herramienta, ajuste las placas de corte de la forma siguiente:

Primero, extraiga el cartucho de batería. Afloje todos los tornillos (2 en cada lado derecho e izquierdo) que sujetan las placas de corte. Apriételes otra vez pero solamente hasta el punto en el que las placas de corte puedan seguir moviéndose fácilmente con la mano. Baje la empuñadura completamente y empuje hacia dentro el pasador de retención para bloquear la empuñadura en la posición bajada. Afloje los dos tornillos de fijación que sujetan las barras deslizables. Tire del carro hacia usted completamente. Ajuste las placas de corte de forma que justamente hagan contacto con los laterales de los dientes del disco. Apriete los tornillos delanteros (no los apriete mucho). Empuje el carro hacia la guía lateral completamente y ajuste las placas de corte de forma que justamente hagan contacto con los laterales de los dientes del disco. Apriete los tornillos traseros (no los apriete mucho).

Después de ajustar las placas de corte, libere el pasador de retención y suba la empuñadura. Después apriete todos los tornillos firmemente.

AVISO:

- **Después de ajustar el ángulo de bisel asegúrese de que las placas de corte están ajustadas debidamente.** El correcto ajuste de las placas de corte ayudará a proveer un apoyo adecuado de la pieza de trabajo reduciendo al mínimo el desgarro de la pieza de trabajo.

Para mantener la máxima capacidad de corte (Fig. 11 y 12)

Esta herramienta se ajusta en fábrica para lograr su capacidad de corte máxima con un disco de sierra de 190 mm.

Extraiga el cartucho de batería antes de intentar hacer cualquier ajuste. Cuando instale un disco nuevo, compruebe siempre la posición límite inferior del disco, y si es necesario, ajústela de la forma siguiente:

Primero, extraiga el cartucho de batería. Empuje el carro a tope hacia la guía lateral y baje la empuñadura completamente. Gire el perno de ajuste utilizando la llave hexagonal hasta que la periferia del disco esté ligeramente por debajo de la parte superior de la base giratoria en el punto donde la cara delantera de la guía lateral se encuentra con la parte superior de la base giratoria.

Con el cartucho de batería extraído, gire el disco con la mano a la vez que sujeta la empuñadura bajada completamente para asegurarse de que el disco no hace contacto con ninguna parte de la base inferior. Reajuste ligeramente, si es necesario.

⚠ ADVERTENCIA:

- **Después de instalar un disco nuevo y con el cartucho de batería extraído, asegúrese siempre de que el disco no haga contacto con ninguna parte de la base inferior cuando la empuñadura sea bajada completamente.** Si un disco hace contacto con la base puede ocasionar un retroceso brusco y dar lugar a graves heridas personales.

Brazo de retención (Fig. 13)

La posición inferior máxima del disco puede ajustarse fácilmente con el brazo de retención. Para ajustarla, mueva el brazo de retención en el sentido de la flecha como se muestra en la figura. Ajuste el tornillo de ajuste de forma que el disco se pare en la posición deseada cuando baje completamente la empuñadura.

Guía secundaria (para países europeos solamente) (Fig. 14)

Esta herramienta está equipada con una guía secundaria. Por lo general, coloque la guía secundaria dentro. Sin embargo, cuando realice cortes en bisel izquierdo, colóquela hacia afuera.

⚠ PRECAUCIÓN:

- Cuando realice cortes en bisel izquierdo, coloque la guía secundaria hacia afuera. De lo contrario, entrará en contacto con el disco o con una parte de la herramienta, ocasionando posibles heridas graves al operario.

Ajuste del ángulo de inglete (Fig. 15)

Afloje el mango girándolo hacia la izquierda. Gire la base giratoria a la vez que presiona hacia abajo la palanca de bloqueo. Cuando haya movido el mango a la posición donde el puntero apunta al ángulo deseado en la escala de inglete, apriete firmemente el mango hacia la derecha.

⚠ PRECAUCIÓN:

- Después de cambiar el ángulo de inglete, sujete siempre la base giratoria apretando el mango completamente.

AVISO:

- Cuando gire la base giratoria, asegúrese de subir la empuñadura completamente.

Ajuste del ángulo de bisel (Fig. 16 y 17)

Para ajustar el ángulo de bisel, afloje la palanca de la parte trasera de la herramienta moviéndola hacia la izquierda.

Empuje la empuñadura hacia la izquierda para inclinar el disco hasta que el puntero apunte al ángulo deseado en la escala de bisel. Después apriete la palanca hacia la derecha para sujetar el brazo.

Para inclinar el disco hacia la derecha, presione el botón de liberación de la parte trasera de la herramienta a la vez que inclina el disco ligeramente hacia la izquierda después de aflojar la palanca. Con el botón de liberación presionado, incline el disco hacia la derecha.

⚠ PRECAUCIÓN:

- Después de cambiar el ángulo de bisel, sujete siempre el brazo apretando la palanca hacia la derecha.

AVISO:

- Cuando incline el disco de sierra asegúrese de que la empuñadura esté completamente subida.
- Cuando quiera cambiar el ángulo de bisel, asegúrese de posicionar las placas de corte debidamente como se explica en la sección "Posicionamiento de las placas de corte".

Ajuste de la posición de la palanca (Fig. 18)

La palanca puede recolocarse a cada 30° de ángulo cuando no está completamente apretada.

Afloje y quite el tornillo que sujeta la palanca en la parte trasera de la herramienta. Quite la palanca e instálela otra vez de forma que esté ligeramente por encima del nivel. Sujete la palanca con el tornillo firmemente.

Accionamiento del interruptor

Para países europeos (Fig. 19)

Para evitar que el gatillo interruptor pueda accionarse accidentalmente, se ha provisto un botón de desbloqueo. Para poner en marcha la herramienta, empuje la palanca hacia arriba, presione hacia dentro el botón de desbloqueo y después apriete el gatillo interruptor. Suelte el gatillo interruptor para parar.

⚠ ADVERTENCIA:

- **Antes de instalar el cartucho de batería en la herramienta, compruebe siempre para cerciorarse de que el gatillo interruptor se acciona debidamente y que vuelve a la posición "OFF" cuando lo suelta. No apriete con fuerza el gatillo interruptor sin presionar hacia dentro el botón de desbloqueo. Podría romper el interruptor.** La utilización de una herramienta con un interruptor que no se acciona debidamente puede dar lugar a la pérdida de control y graves heridas personales.

En el gatillo interruptor se ha provisto un agujero para insertar un candado a fin de bloquear la herramienta en posición apagada.

Para todos los países excepto los países europeos (Fig. 20)

Para evitar que el gatillo pueda accionarse accidentalmente, se ha provisto un botón de desbloqueo. Para poner en marcha la herramienta, presione hacia dentro el botón de desbloqueo y apriete el gatillo interruptor. Suelte el gatillo interruptor para parar.

⚠ ADVERTENCIA:

- **Antes de instalar el cartucho de batería en la herramienta, compruebe siempre para cerciorarse de que el gatillo interruptor se acciona debidamente y que vuelve a la posición "OFF" cuando lo suelta. No apriete con fuerza el gatillo interruptor sin presionar hacia dentro el botón de desbloqueo. Podría romper el interruptor.** La utilización de una herramienta con un interruptor que no se acciona debidamente puede dar lugar a la pérdida de control y graves heridas personales.

En el gatillo interruptor se ha provisto un agujero para insertar un candado a fin de bloquear la herramienta en posición apagada.

⚠ ADVERTENCIA:

- **No utilice un candado con un fuste o cable de menos de 6,35 mm (1/4") de diámetro.** Un fuste o cable más pequeño podrá no bloquear debidamente la herramienta en la posición apagada y es posible que se produzca una puesta en marcha involuntaria dando lugar a graves heridas personales.
- **No utilice NUNCA la herramienta si el gatillo interruptor no funciona perfectamente bien.** Cualquier herramienta con un interruptor que no funciona es MUY PELIGROSA y deberá ser reparada antes de seguir utilizándola o podrán producirse graves heridas personales.
- Por su propia seguridad, esta herramienta está equipada con un botón de desbloqueo que impide que la herramienta pueda ser puesta en marcha sin querer. No utilice NUNCA la herramienta si se pone en marcha cuando usted simplemente aprieta el gatillo interruptor sin presionar el botón de desbloqueo. Un interruptor con necesidad de reparación puede dar lugar a una puesta en marcha involuntaria y a graves heridas personales. Lleve la herramienta a un centro de servicio Makita para que le hagan las reparaciones apropiadas ANTES de seguir utilizándola.
- No anule NUNCA la función del botón de desbloqueo sujetándolo con cinta adhesiva o alguna otra manera. Un interruptor con un botón de desbloqueo anulado puede dar lugar a una puesta en marcha involuntaria y a graves heridas personales.

MONTAJE

⚠ ADVERTENCIA:

- **Asegúrese siempre de que la herramienta esté apagada y el cartucho de batería extraído antes trabajar en la herramienta.** El no apagar y extraer el cartucho de batería puede dar lugar a graves heridas personales.

Para guardar la llave hexagonal (Fig. 21)

La llave hexagonal se almacena como se muestra en la figura.

Cuando se necesite, la llave hexagonal se puede extraer del portallaves.

Después de utilizar la llave hexagonal, puede almacenarla volviéndola a poner en el portallaves.

Instalación o desmontaje del disco

⚠️ ADVERTENCIA:

- **Asegúrese siempre de que la herramienta está apagada y el cartucho de batería extraído antes instalar o desmontar el disco.** Una puesta en marcha involuntaria de la herramienta puede dar lugar a graves heridas personales.

⚠️ PRECAUCIÓN:

- Utilice solamente la llave hexagonal Makita provista para instalar o desmontar el disco. De lo contrario, podrá producirse apretamiento excesivo o insuficiente del perno de cabeza hueca hexagonal. Esto podría ocasionarle heridas.

Bloquee la empuñadura en la posición levantada empujando hacia dentro el pasador de retención. (Fig. 22)

Para desmontar el disco, utilice la llave hexagonal para aflojar el perno de cabeza hueca hexagonal que sujeta la cubierta central girándolo hacia la izquierda. Suba el protector de disco y la cubierta central. (Fig. 23)

Presione el bloqueo del eje para bloquear el eje y utilice la llave hexagonal para aflojar el perno de cabeza hueca hexagonal hacia la derecha. Después quite el perno de cabeza hueca hexagonal, brida exterior y disco. (Fig. 24)

NOTA:

- Si quita la brida interior asegúrese de instalarla en el eje con su protuberancia orientada hacia afuera del disco. Si la brida está instalada incorrectamente rozará contra la máquina.

Para instalar el disco, móntelo con cuidado en el eje, asegurándose de que la dirección de la flecha en la superficie del disco coincida con la dirección de la flecha en la caja del disco. Instale la brida exterior y perno de cabeza hueca hexagonal, y después utilizando la llave hexagonal apriete el perno de cabeza hueca hexagonal (rosca hacia la izquierda) firmemente hacia la izquierda a la vez que presiona el bloqueo del eje.

Devuelva el protector de disco y la cubierta central a sus posiciones originales. Después apriete el perno de cabeza hueca hexagonal hacia la derecha para sujetar la cubierta central. Libere la empuñadura de la posición levantada tirando del pasador de retención. Baje la empuñadura para asegurarse de que el protector de disco se mueve debidamente. Asegúrese de que el bloqueo del eje ha liberado el eje antes de hacer el corte. (Fig. 25 y 26)

Bolsa de polvo (accesorio) (Fig. 27)

Para colocar el cierre, alinee el extremo superior del cierre con la marca triangular de la bolsa de polvo.

La utilización de la bolsa de polvo permite realizar operaciones de corte más limpias y recoger más fácilmente el polvo. Para colocar la bolsa de polvo, encájela en la boquilla de polvo.

Cuando la bolsa de polvo esté medio llena, quítela de la herramienta y extraiga el cierre. Vacíe la bolsa de polvo golpeándola ligeramente con objeto de extraer las partículas adheridas en el interior para que no impidan la posterior recogida de polvo.

NOTA:

- Si conecta un aspirador a su sierra, podrá realizar operaciones más limpias.

Sujeción de la pieza de trabajo (Fig. 28)

⚠️ ADVERTENCIA:

- **Es muy importante sujetar siempre la pieza de trabajo correctamente con el tipo apropiado de mordaza.** El no hacerlo puede dar lugar a graves heridas personales y ocasionar daños a la herramienta y/o la pieza de trabajo.
- **Después de una operación de corte no suba el disco hasta que se haya parado completamente.** La subida de un disco girando por inercia puede dar lugar a graves heridas personales y daños a la pieza de trabajo.
- **Cuando corte una pieza de trabajo que sea más larga que la base de apoyo de la sierra, el material deberá ser apoyado en toda su longitud más allá de la base de apoyo y a la misma altura para mantener el material nivelado.** Un apoyo apropiado de la pieza de trabajo ayudará a evitar que el disco se atranque y que se produzca un posible retroceso brusco que puede dar lugar a graves heridas personales. No dependa únicamente de la mordaza vertical y/o mordaza horizontal para sujetar la pieza de trabajo. El material fino tiende a cederse. Apoye la pieza de trabajo en toda su longitud para evitar que el disco se atranque y que posiblemente se produzca un RETROCESO BRUSCO.

Mordaza vertical (Fig. 29)

La mordaza vertical se puede instalar en dos posiciones tanto en el lado derecho como el izquierdo de la guía lateral o el conjunto del soporte (accesorio opcional). Inserte la barra de la mordaza en el agujero de la guía lateral o del conjunto del soporte y apriete el tornillo para sujetar la barra de la mordaza.

Posicione el brazo de la mordaza de acuerdo con el grosor y forma de la pieza de trabajo y sujete el brazo de la mordaza apretando el tornillo. Si el tornillo que sujeta el brazo de la mordaza toca la guía lateral, instale el tornillo en el lado opuesto del brazo de la mordaza. Asegúrese de que ninguna parte de la herramienta toque la mordaza cuando baje la empuñadura completamente o tire o empuje el carro a tope. Si alguna parte toca la mordaza, reposicione la mordaza.

Presione la pieza de trabajo a ras contra la guía lateral y la base giratoria. Ponga la pieza de trabajo en la posición de corte deseada y sujétela firmemente apretando el pomo de la mordaza.

⚠️ ADVERTENCIA:

- **La pieza de trabajo deberá estar sujeta firmemente contra la base giratoria y la guía lateral con la mordaza durante todas las operaciones.** Si la pieza de trabajo no está sujeta debidamente contra la guía el material podrá moverse durante la operación de corte ocasionando posibles daños al disco, haciendo que el material salga lanzado y perder el control dando lugar a graves heridas personales.

Mordaza horizontal (accesorio opcional) (Fig. 30)

La mordaza horizontal se puede instalar en el lado izquierdo de la base. Girando el pomo de la mordaza hacia la izquierda se afloja el tornillo y el eje se puede mover rápidamente hacia dentro y hacia fuera. Girando el pomo de la mordaza hacia la derecha, el tornillo se mantiene apretado. Para sujetar la pieza de trabajo, gire el pomo de la mordaza suavemente hacia la derecha hasta que la proyección alcance su máxima posición superior, después apriete firmemente. Si fuera el pomo de la mordaza o lo saca mientras lo esté girando hacia la derecha, la proyección podrá quedar en ángulo. En este caso, vuelva a girar el pomo de la mordaza hacia la izquierda hasta que se suelte el tornillo, antes de girar otra vez suavemente hacia la derecha. La anchura máxima de la pieza de trabajo que se puede sujetar con la mordaza horizontal es de 120 mm.

⚠ ADVERTENCIA:

- **Sujete la pieza de trabajo solamente cuando la proyección esté en la posición máxima superior.** En caso contrario podrá resultar en una insuficiente sujeción de la pieza de trabajo. Esto podrá hacer que la pieza de trabajo salga lanzada, ocasionar daños al disco u ocasionar la pérdida del control, que podrá resultar en HERIDAS PERSONALES.

Soportes y conjuntos de soportes (accesorios opcionales) (Fig. 31 y 32)

Los soportes y los conjuntos de soportes se pueden instalar en cualquiera de los lados como medio útil para sujetar piezas de trabajo horizontalmente. Instálelos como se muestra en la figura. Después apriete los tornillos firmemente para sujetar los soportes y los conjuntos de soporte.

Cuando corte piezas de trabajo largas, utilice el conjunto de barra de soporte (accesorio opcional). Éste consiste en dos conjuntos de soporte y dos barras de 12.

⚠ ADVERTENCIA:

- **Apoye siempre una pieza de trabajo larga de forma que quede nivelada con la superficie superior de la base giratoria para poder realizar un corte preciso y evitar una peligrosa pérdida de control de la herramienta.** Un apoyo apropiado de la pieza de trabajo ayudará a evitar que el disco se atranque y un posible retroceso brusco que puede dar lugar a graves heridas personales.

OPERACIÓN

AVISO:

- Antes de utilizar, asegúrese de liberar la empuñadura de la posición bajada tirando del pasador de retención.
- No ejerza presión excesiva en la empuñadura cuando corte. Una fuerza excesiva podrá resultar en una sobrecarga del motor y/o reducir la eficacia de corte. Empuje hacia abajo la empuñadura con la fuerza únicamente necesaria para cortar suavemente y sin reducir significativamente la velocidad del disco.
- Presione hacia abajo suavemente la empuñadura para realizar el corte. Si presiona hacia abajo la empuñadura con fuerza o si ejerce fuerza lateral, el disco vibrará y dejará una marca (marca de sierra) en la pieza de trabajo y se deteriorará la precisión del corte.

- Durante un corte de deslizamiento, empuje suavemente el carro hacia la guía lateral sin parar. Si para el movimiento del carro durante el corte, quedará una marca en la pieza de trabajo y se deteriorará la precisión del corte.

⚠ ADVERTENCIA:

- **Asegúrese de que el disco no esté tocando la pieza de trabajo, etc., antes de activar el interruptor.** El encender la herramienta con el disco haciendo contacto con la pieza de trabajo puede dar lugar a un retroceso brusco y graves heridas personales.

1. Corte por presión

(corte de piezas de trabajo pequeñas) (Fig. 33)

De la forma siguiente se pueden cortar piezas de trabajo de hasta 52 mm de alto y 97 mm de ancho.

Empuje el carro hacia la guía lateral a tope y apriete los dos tornillos de fijación que sujetan las barras deslizables girándolos hacia la derecha para sujetar el carro. Sujete la pieza de trabajo con el tipo de mordaza apropiado. Encienda la herramienta sin que el disco esté tocando nada y espere hasta que el disco adquiera plena velocidad antes de bajarlo. Después baje suavemente la empuñadura hasta la posición totalmente bajada para cortar la pieza de trabajo. Cuando haya completado el corte, apague la herramienta y ESPERE HASTA QUE EL DISCO SE HAYA PARADO COMPLETAMENTE antes de devolver el disco a su posición completamente elevada.

⚠ ADVERTENCIA:

- **Apriete firmemente los dos tornillos de fijación que sujetan las barras deslizables girándolos hacia la derecha para que el carro no se mueva durante la operación.** Un apretado insuficiente del tornillo de fijación puede ocasionar un posible retroceso brusco que puede dar lugar a graves heridas personales.

2. Corte de deslizamiento (empujando)

(corte de piezas de trabajo anchas) (Fig. 34)

Afloje los dos tornillos de fijación que sujetan las barras deslizables girándolos hacia la izquierda para poder deslizar el carro libremente. Sujete la pieza de trabajo con el tipo de mordaza apropiado. Tire del carro hacia usted completamente. Encienda la herramienta sin que el disco esté tocando nada y espere hasta que el disco adquiera plena velocidad. Presione hacia abajo la empuñadura y EMPUJE EL CARRO HACIA LA GUÍA LATERAL Y A TRAVÉS DE LA PIEZA DE TRABAJO. Cuando haya completado el corte, apague la herramienta y ESPERE HASTA QUE EL DISCO SE HAYA PARADO COMPLETAMENTE antes de devolver el disco a su posición completamente elevada.

⚠ ADVERTENCIA:

- **Siempre que realice un corte de deslizamiento, primero tire del carro hacia usted completamente y presione la empuñadura a tope hacia abajo, después empuje el carro hacia la guía lateral. No inicie nunca el corte sin haber tirado del carro completamente hacia usted.** Si realiza el corte de deslizamiento sin haber tirado del carro completamente hacia usted podrá producirse un retroceso brusco inesperado y resultar en graves heridas personales.
- **No intente nunca realizar un corte de deslizamiento tirando del carro hacia usted.** Si tira del carro hacia usted durante el corte podrá ocasionar un retroceso brusco inesperado resultando en posibles graves heridas personales.
- No realice nunca el corte de deslizamiento con la empuñadura bloqueada en la posición bajada.

- **No afloje nunca el fijador que sujeta el carro mientras el disco esté girando.** Un carro suelto mientras corta podrá ocasionar un retroceso brusco inesperado resultando en posibles graves heridas personales.

3. Corte en inglete

Consulte la sección "Ajuste del ángulo de inglete" explicada más atrás.

4. Corte en bisel (Fig. 35)

Afloje la palanca e incline el disco para establecer el ángulo de bisel (consulte la sección "Ajuste del ángulo de bisel" explicada más atrás). Asegúrese de apretar la palanca firmemente para sujetar de forma segura el ángulo de bisel seleccionado. Sujete la pieza de trabajo con una mordaza. Asegúrese de que el carro esté empujado completamente hacia usted. Encienda la herramienta sin que el disco esté tocando nada y espere hasta que el disco adquiera plena velocidad. Después baje con cuidado la empuñadura hasta la posición completamente bajada mientras aplica presión en dirección paralela al disco y EMPUJE EL CARRO HACIA LA GUÍA LATERAL PARA CORTAR LA PIEZA DE TRABAJO. Cuando haya completado el corte, apague la herramienta y ESPERE HASTA QUE EL DISCO SE HAYA PARADO COMPLETAMENTE antes de devolver el disco a su posición completamente elevada.

⚠ ADVERTENCIA:

- **Después de ajustar el disco para un corte en bisel, antes de utilizar la herramienta asegúrese de que el carro y el disco podrán desplazarse libremente a todo lo largo de rango del corte que piensa hacer.** Una interrupción del desplazamiento del carro o el disco durante la operación de corte puede dar lugar a un retroceso brusco y a graves heridas personales.
- **Mientras esté haciendo un corte en bisel mantenga las manos alejadas de la trayectoria del disco.** El ángulo del disco puede confundir al operario sobre la trayectoria real del disco durante el corte y el contacto con el disco dará lugar a graves heridas personales.
- **El disco no deberá ser subido hasta que se haya parado completamente.** Durante un corte en bisel la pieza cortada podrá detenerse contra el disco. Si sube el disco mientras está girando, la pieza cortada podrá ser expulsada por el disco haciendo que el material se fragmente lo que puede dar lugar a graves heridas personales.

AVISO:

- Cuando presione hacia abajo la empuñadura, aplique fuerza paralela a la hoja de sierra. Si la fuerza es aplicada perpendicularmente a la base giratoria o si se cambia la dirección de la presión durante el corte, la precisión de corte se deteriorará.

⚠ PRECAUCIÓN:

- (Solamente para países europeos) ponga siempre la guía secundaria afuera cuando realice cortes en bisel izquierdo.

5. Corte compuesto

El corte compuesto es el procedimiento en el que se hace un ángulo de bisel al mismo tiempo que se corta un ángulo de inglete en una pieza de trabajo. El corte compuesto se puede realizar a los ángulos mostrados en la tabla.

Ángulo de inglete	Ángulo de bisel
Izquierda y Derecha 45°	Izquierda 0° – 45°
Derecha 50°	Izquierda 0° – 40°
Derecha 55°	Izquierda 0° – 30°
Derecha 57°	Izquierda 0° – 25°

006393

Quando quiera realizar un corte compuesto, consulte las explicaciones de "Corte por presión", "Corte de deslizamiento", "Corte en inglete" y "Corte en bisel".

6. Corte de molduras corona y cóncavas

Las molduras corona y cóncavas pueden cortarse en una sierra de inglete mixta con las molduras apoyadas horizontalmente en la base giratoria.

Existen dos tipos comunes de molduras corona y un tipo de moldura cóncava; moldura corona de ángulo mural de 52/38°, moldura corona de ángulo mural de 45° y moldura cóncava de ángulo mural de 45°. Consulte las ilustraciones. (Fig. 36)

Existen juntas de moldura corona y cóncava que han sido hechas para encajar en esquinas "interiores" de 90° ((1) y (2) en las Fig. 37 y 38) y esquinas "exteriores" de 90° ((3) y (4) en las Fig. 37 y 38).

Medición

Mida la longitud de la pared y ajuste la pieza de trabajo en la mesa para cortar el borde de contacto con la pared a la longitud deseada. Asegúrese siempre de que la longitud cortada **de la parte trasera de la pieza** de trabajo es igual que la longitud de la pared. Ajuste la longitud de corte para el ángulo de corte. Utilice siempre varias piezas para realizar cortes de prueba a fin de comprobar los ángulos de corte.

Cuando corte molduras corona y cóncavas, ajuste el ángulo de bisel y el ángulo de inglete como se indica en la tabla (A) y posicione las molduras sobre la superficie superior de la base de la sierra como se indica en la tabla (B).

En el caso de corte en bisel izquierdo

Tabla (A)

	Posición de la moldura en las Fig. 37 y 38	Ángulo de bisel		Ángulo de inglete	
		Tipo 52/38°	Tipo 45°	Tipo 52/38°	Tipo 45°
Para esquina interior	(1)	Izquierdo 33,9°	Izquierdo 30°	Derecho 31,6°	Derecho 35,3°
	(2)			Izquierdo 31,6°	Izquierdo 35,3°
Para esquina exterior	(3)			Derecho 31,6°	Derecho 35,3°
	(4)				

006361

Tabla (B)

	Posición de la moldura en las Fig. 37 y 38	Borde de moldura contra la guía lateral	Pieza acabada
Para esquina interior	(1)	El borde de contacto con el techo debe estar contra la guía lateral.	La pieza acabada estará en el lado izquierdo del disco.
	(2)	El borde de contacto con la pared debe estar contra la guía lateral.	
Para esquina exterior	(3)	El borde de contacto con el techo debe estar contra la guía lateral.	La pieza acabada estará en el lado derecho del disco.
	(4)		

006362

Ejemplo:

En el caso de corte de moldura corona tipo 52/38° para posición (1) en las **Fig. 37 y 38**:

- Incline y sujete el ajuste de ángulo de bisel para 33,9° IZQUIERDO.
- Ajuste y sujete el ajuste de ángulo de inglete para 31,6° DERECHO.
- Apoye la moldura corona con su superficie posterior vasta (oculta) hacia abajo sobre la base giratoria con su BORDE DE CONTACTO CON EL TECHO contra la guía lateral en la sierra.
- La pieza acabada a utilizar estará siempre en el lado IZQUIERDO del disco después de haber realizado el corte.

En el caso de corte en bisel derecho

Tabla (A)

	Posición de la moldura en las Fig. 37 y 38	Ángulo de bisel		Ángulo de inglete	
		Tipo 52/38°	Tipo 45°	Tipo 52/38°	Tipo 45°
Para esquina interior	(1)	Derecho 33,9°	Derecho 30°	Derecho 31,6°	Derecho 35,3°
	(2)			Izquierdo 31,6°	Izquierdo 35,3°
Para esquina exterior	(3)			Derecho 31,6°	Derecho 35,3°
	(4)				

006363

Tabla (B)

	Posición de la moldura en las Fig. 37 y 38	Borde de moldura contra la guía lateral	Pieza acabada
Para esquina interior	(1)	El borde de contacto con la pared debe estar contra la guía lateral.	La pieza acabada estará en el lado derecho del disco.
	(2)	El borde de contacto con el techo debe estar contra la guía lateral.	
Para esquina exterior	(3)	El borde de contacto con la pared debe estar contra la guía lateral.	La pieza acabada estará en el lado izquierdo del disco.
	(4)	El borde de contacto con la pared debe estar contra la guía lateral.	

006364

Ejemplo:

En el caso de corte de moldura corona tipo 52/38° para posición (1) en las **Fig. 37 y 38**:

- Inclíne y sujete el ajuste de ángulo de bisel para 33,9° DERECHO.
- Ajuste y sujete el ajuste de ángulo de inglete para 31,6° DERECHO.
- Apoye la moldura corona con su superficie posterior vasta (oculta) hacia abajo sobre la base giratoria con su BORDE DE CONTACTO CON LA PARED contra la guía lateral en la sierra.
- La pieza acabada a utilizar estará siempre en el lado DERECHO del disco después de haber realizado el corte.

7. Guarnición de madera (Fig. 39)

La utilización de la guarnición de madera ayuda a conseguir cortes sin astillar la pieza de trabajo. Coloque la guarnición de madera en la guía lateral utilizando los agujeros de la guía lateral.

Consulte la figura referente a las dimensiones para elegir una guarnición de madera sugerida.

⚠ PRECAUCIÓN:

- Utilice madera recta de grosor uniforme para la guarnición de madera.

⚠ ADVERTENCIA:

- **Utilice tornillos para colocar la guarnición de madera en la guía lateral. Los tornillos deberán ser instalados de forma que sus cabezas queden por debajo de la superficie de la guarnición de madera para que no interfieran con el posicionamiento del material que se va a cortar.** Una desalineación del material que está siendo cortado puede ocasionar un movimiento inesperado durante la operación de corte y resultar en una pérdida de control y graves heridas personales.

AVISO:

- Cuando esté puesta la guarnición de madera, no gire la base giratoria con la empuñadura bajada. El disco y/o la guarnición de madera se dañarán.

8. Corte de longitudes repetitivas (Fig. 40)

Cuando quiera cortar varias piezas de madera a la misma longitud, de entre 220 mm a 385 mm, la utilización de la placa de presión (accesorio opcional) le ayudará a realizar una operación más eficaz. Instale la placa de presión en el soporte (accesorio opcional) como se muestra en la figura.

Alinee la línea de corte de su pieza de trabajo con el lado izquierdo o derecho de la ranura en la placa de corte, y mientras sujeta la pieza de trabajo para que no se mueva, mueva la placa de presión hasta ponerla a ras contra el extremo de la pieza de trabajo. Después sujete la placa de presión con el tornillo. Cuando no utilice la placa de presión, afloje el tornillo y gire la placa de presión para que no estorbe.

NOTA:

- La utilización del conjunto de barra de soporte (accesorio opcional) permite cortar longitudes repetitivas de hasta 2.200 mm aproximadamente.

9. Ranurado (Fig. 41)

Procediendo de la forma siguiente se puede hacer un corte tipo ranura:

Ajuste la posición límite inferior del disco utilizando el tornillo de ajuste y el brazo de retención para limitar la profundidad de corte del disco. Consulte la sección "Brazo de retención" descrita previamente.

Después de ajustar la posición límite inferior del disco, corte ranuras paralelas a través de la pieza de trabajo utilizando un corte de deslizamiento (empujando) como se muestra en la figura. Después quite con un formón el material que queda entre las ranuras hechas en la pieza de trabajo.

⚠ ADVERTENCIA:

- **No intente realizar este tipo de corte utilizando un disco de tipo más grueso o un disco de moldurar.** Si intenta hacer un corte de ranura con un disco más grueso o disco de moldurar podrá resultar en un corte inesperado y a un retroceso brusco que puede dar lugar a graves heridas personales.
- **Asegúrese de volver a poner el brazo de tope en la posición original cuando realice otros cortes que no sean de ranurado.** Si intenta hacer cortes con el brazo de tope en una posición incorrecta podrá resultar en un corte inesperado y a un retroceso brusco que puede dar lugar a graves heridas personales.

Transporte de la herramienta (Fig. 42 y 43)

Asegúrese de que el cartucho de batería ha sido extraído. Sujete el disco a un ángulo de bisel de 0° y la base giratoria al ángulo de inglete recto completo. Sujete las barras de deslizamiento de forma que la barra de deslizamiento inferior quede bloqueada en la posición del carro completamente empujado hacia el operario y las barras superiores queden bloqueadas en la posición del carro completamente empujado hacia la guía lateral. Baje la empuñadura completamente y bloquéela en la posición bajada presionando hacia dentro el pasador de retención.

Transporte la herramienta cogiéndola por ambos costados de la base como se muestra en la figura. Si quita los soportes, la bolsa de polvo, etc., podrá transportar la herramienta más fácilmente.

⚠ PRECAUCIÓN:

- Sujete siempre todas las partes móviles antes de transportar la herramienta. Si algunas partes de la herramienta se mueven o deslizan mientras se transporta podrá producirse una pérdida del control o del equilibrio resultando en heridas personales.

⚠ ADVERTENCIA:

- **El pasador de retención ha sido pensado solamente para transportar y almacenar la herramienta y no deberá ser utilizado nunca para ninguna operación de corte.** La utilización del pasador de retención para operaciones de corte podrá ocasionar un movimiento inesperado del disco de sierra resultando en un retroceso brusco y graves heridas personales.

MANTENIMIENTO

⚠ PRECAUCIÓN:

- Asegúrese siempre de que la herramienta está apagada y de que el cartucho de baterías está quitado antes de intentar hacer una inspección o mantenimiento.

⚠ ADVERTENCIA:

- **Asegúrese siempre de que el disco esté afilado y limpio para obtener un rendimiento óptimo.** El tratar de hacer un corte con un disco embotado y/o sucio puede ocasionar un retroceso brusco y dar lugar a graves heridas personales.

AVISO:

- No utilice nunca gasolina, bencina, disolvente, alcohol o similares. Podría producir descoloración, deformación o grietas.

Ajuste del ángulo de corte

Esta herramienta ha sido ajustada y alineada cuidadosamente en fábrica, pero un manejo brusco podrá haber afectado la alineación. Si su herramienta no está debidamente alineada, realice lo siguiente:

1. Ángulo de inglete

Empuje el carro hacia la guía lateral y apriete los dos tornillos de fijación para sujetar el carro.

Afloje el mango que sujeta la base giratoria. Gire la base giratoria de forma que el puntero apunte a 0° en la escala de inglete. Después gire la base giratoria ligeramente hacia la derecha y hacia la izquierda para asentarla en la muesca de inglete de 0°. (Déjela tal como está si el puntero no apunta a 0°.) Afloje el perno de cabeza hueca hexagonal que sujeta la guía lateral utilizando la llave hexagonal. (Fig. 44)

Baje la empuñadura completamente y bloquéela en la posición bajada presionando hacia dentro el pasador de retención. Escuadre el costado del disco con la cara de la guía lateral utilizando una escuadra, cartabón, etc. Después apriete firmemente el perno de cabeza hueca hexagonal de la guía lateral en orden desde el lado derecho. (Fig. 45)

Asegúrese de que el puntero apunta a 0° en la escala de inglete. Si el puntero no apunta a 0°, afloje el tornillo que sujeta el puntero y ajuste el puntero de forma que apunte a 0°. (Fig. 46)

2. Ángulo de bisel

1. Ángulo en bisel de 0°

Empuje el carro hacia la guía lateral y apriete los dos tornillos de fijación para sujetar el carro. Baje la empuñadura completamente y bloquéela en la posición bajada presionando hacia dentro el pasador de retención.

Afloje la palanca de la parte trasera de la herramienta.

Gire el perno de ajuste del ángulo de bisel a 0° (perno inferior) del lado derecho del brazo dos o tres vueltas hacia la izquierda para inclinar el disco hacia la derecha. (Fig. 47)

Escuadre cuidadosamente el costado del disco con la parte superior de la base giratoria utilizando la escuadra, cartabón, etc., y apriete el perno de ajuste del ángulo de bisel a 0° hacia la derecha. Después apriete la palanca firmemente. (Fig. 48)

Asegúrese de que el puntero del brazo apunte a 0° en la escala de bisel del soporte del brazo. Si el puntero no apunta a 0°, afloje el tornillo que sujeta el puntero y ajuste el puntero de forma que apunte a 0°. (Fig. 49)

2. Ángulo en bisel de 45°

Ajuste el ángulo de bisel de 45° solamente después de haber realizado el ajuste del ángulo de bisel de 0°. Para ajustar el ángulo de bisel de 45°, afloje la palanca e incline el disco completamente hacia la izquierda. Asegúrese de que el puntero del brazo apunte a 45° en la escala de bisel del soporte del brazo. Si el puntero no apunta a 45°, gire el perno de ajuste del ángulo de bisel a 45° (perno superior) del lado derecho del brazo hasta que el puntero apunte a 45°. (Fig. 50)

Reemplazo de las escobillas de carbón (Fig. 51 y 52)

Extraiga y compruebe las escobillas de carbón regularmente. Reemplácelas cuando se hayan gastado hasta la marca de límite. Mantenga las escobillas de carbón limpias y de forma que entren libremente en el portaescobillas. Ambas escobillas de carbón deberán ser reemplazadas al mismo tiempo. Utilice únicamente escobillas de carbón idénticas.

Utilice un destornillador para quitar los tapones portaescobillas. Extraiga las escobillas gastadas, inserte las nuevas y vuelva a fijar los tapones portaescobillas.

Después de la utilización

- Después de la utilización, limpie las virutas y el polvo adheridos a la herramienta con un paño o similar. Mantenga el protector del disco limpio de acuerdo con las indicaciones de la sección ya vista titulada "Protector de disco". Lubrique las partes deslizantes con aceite para máquinas para evitar que se oxiden.
- Cuando guarde la herramienta, tire del carro hacia usted completamente de forma que la barra deslizante se introduzca completamente en la base giratoria.

Para mantener la SEGURIDAD y FIABILIDAD del producto, las reparaciones, y cualquier otra tarea de mantenimiento o ajuste deberán ser realizadas en centros de servicio autorizados por Makita, empleando siempre repuestos Makita.

ACCESORIOS OPCIONALES

⚠️ ADVERTENCIA:

- **Estos accesorios o acoplamientos están recomendados para utilizar con su herramienta Makita especificada en este manual.** La utilización de cualesquiera otros accesorios o acoplamientos puede dar lugar a graves heridas personales.
- **Utilice el accesorio o acoplamiento Makita solamente para el propósito que han sido diseñados.** El uso indebido de un accesorio o acoplamiento puede dar lugar a graves heridas personales.

Si necesita cualquier ayuda para más detalles en relación con estos accesorios, pregunte al centro de servicio Makita local.

- Discos de sierra de carburo
- Conjunto de mordaza (Mordaza horizontal)
- Mordaza vertical
- Juego de soporte
- Conjunto de soporte
- Conjunto de barra de soporte
- Placa de presión
- Bolsa de polvo
- Escuadra
- Llave hexagonal
- Diferentes tipos de baterías y cargadores genuinos de Makita

NOTA:

- Algunos elementos de la lista podrán estar incluidos en el paquete de la herramienta como accesorios estándar. Pueden variar de un país a otro.

ENG905-1

Ruido

El nivel de ruido A-ponderado típico determinado de acuerdo con la norma EN61029:

Nivel de presión sonora (L_{pA}): 88 dB (A)
Nivel de potencia sonora (L_{WA}): 98 dB (A)
Error (K): 3 dB (A)

Póngase protectores en los oídos

ENG900-1

Vibración

El valor total de la vibración (suma de vectores triaxiales) determinado de acuerdo con la norma EN61029:

Emisión de vibración (a_h): 2,5 m/s² o menos
Error (K): 1,5 m/s²

ENG901-1

- El valor de emisión de vibración declarado ha sido medido de acuerdo con el método de prueba estándar y se puede utilizar para comparar una herramienta con otra.
- El valor de emisión de vibración declarado también se puede utilizar en una valoración preliminar de exposición.

⚠️ ADVERTENCIA:

- La emisión de vibración durante la utilización real de la herramienta eléctrica puede variar del valor de emisión declarado dependiendo de las formas en las que la herramienta sea utilizada.
- Asegúrese de identificar medidas de seguridad para proteger al operario que estén basadas en una estimación de la exposición en las condiciones reales de utilización (teniendo en cuenta todas las partes del ciclo operativo tal como las veces cuando la herramienta está apagada y cuando está funcionando en vacío además del tiempo de gatillo).

ENH003-15

Para países europeos solamente

Declaración de conformidad CE

Makita declara que la(s) máquina(s) siguiente(s):

Designación de máquina:

Sierra de Inglete Inalámbrica

Modelo N°/ Tipo: DLS713

Cumplen con las directivas europeas siguientes:

2006/42/CE

Están fabricadas de acuerdo con las normas o documentos normalizados siguientes:

EN61029

El archivo técnico de acuerdo con la norma 2006/42/CE está disponible en:

Makita, Jan-Baptist Vinkstraat 2, 3070, Bélgica

30.6.2014

Yasushi Fukaya

Director

Makita, Jan-Baptist Vinkstraat 2, 3070, Bélgica

Explicação geral

1 Pino de bloqueio	28 Alavanca	55 Suporte
2 Perno	29 Botão de libertação	56 Conjunto de suporte
3 Perno de regulação	30 Escala de bisel	57 Botão do torno
4 Parte vermelha	31 Braço	58 Projecção
5 Botão	32 Parafuso	59 Eixo do torno
6 Bateria	33 Gatilho	60 Base
7 Marca de estrela	34 Botão de segurança	61 Varão 12
8 Resguardo da lâmina	35 Furo para o cadeado	62 Parafuso de aperto
9 Resguardo da lâmina A	36 Suporte da chave	63 Moldura do tipo 52/38°
10 Resguardo da lâmina B	37 Chave hexagonal	64 Moldura do tipo 45°
11 Parafuso de precisão	38 Cobertura central	65 Sanca do tipo 45°
12 Placa de corte	39 Chave hexagonal	66 Canto interno
13 Lâmina da serra	40 Perno de encaixe hexagonal	67 Canto externo
14 Dentes da lâmina	41 Cobertura de segurança	68 Mais de 15 mm (5/8")
15 Ângulo de bisel à esquerda	42 Travão do eixo	69 Mais de 420 mm (16-1/2")
16 Corte direito	43 Seta	70 Orifícios
17 Guia de esquadria	44 Caixa da lâmina	71 Cavilha de regulação
18 Base giratória	45 Perno de encaixe hexagonal (para a mão esquerda)	72 Corte de ranhuras com a lâmina
19 Superfície superior da mesa giratória	46 Falange exterior	73 Régua triangular
20 Periferia da lâmina	47 Falange interior	74 Suporte do braço
21 Parafuso de regulação	48 Veio	75 Perno de regulação do ângulo de bisel de 0°
22 Placa de retenção	49 Saco do pó	76 Perno de regulação do ângulo de bisel à esquerda de 45°
23 Sub-guia	50 Bocal do pó	77 Marca limite
24 Ponteiro	51 Fecho	78 Tampa do suporte da escova
25 Escala de esquadria	52 Suporte	79 Chave de parafusos
26 Alavanca de bloqueio	53 Braço do torno	
27 Punho	54 Varão do torno	

ESPECIFICAÇÕES

Modelo	DLS713
Diâmetro da lâmina	190 mm
Espessura do corpo do disco	1,3 mm – 2,0 mm
Diâmetro do orifício (suporte)	20 mm
Máx. ângulo de esquadria	Esquerdo 47°, Direito 57°
Máx. ângulo de bisel	Esquerdo 45°, Direito 5°
Capacidades máximas de corte (A x L) com lâmina de 190 mm de diâmetro.	

Ângulo de esquadria	Ângulo de bisel		
	45° (esquerdo)	0°	5° (direito)
0°	25 mm x 300 mm	52 mm x 300 mm	40 mm x 300 mm
	—	*60 mm x 265 mm (Nota 1)	—
45° (esquerdo e direito)	25 mm x 212 mm	52 mm x 212 mm	—
	—	*60 mm x 185 mm (Nota 2)	—
57° (direito)	—	52 mm x 163 mm	—
	—	*60 mm x 145 mm (Nota 3)	—

Velocidade em vazio (min ⁻¹)	2.200
Dimensões (C x L x A)	655 mm x 430 mm x 454 mm
Peso líquido	12,7 kg
Voltagem nominal	C.C. 18 V

(Nota)

A marca * indica que está a utilizar um revestimento de madeira com a seguinte espessura.

1: Quando utiliza um revestimento de madeira de 20 mm de espessura.

2: Quando utiliza um revestimento de madeira de 15 mm de espessura.

3: Quando utiliza um revestimento de madeira de 10 mm de espessura.

- Devido a um programa contínuo de pesquisa e desenvolvimento, estas especificações estão sujeitas a alteração sem aviso prévio.
- As especificações e a bateria podem variar de país para país.
- Peso, com a bateria, de acordo com o Procedimento 01/2003 da EPTA (European Power Tool Association)

Fins a que se destina

Esta ferramenta destina-se a realizar cortes de precisão, rectos e de meia esquadria, em madeira.

Avisos gerais de segurança para ferramentas eléctricas

⚠ AVISO! Leia todos os avisos de segurança e todas as instruções. O não cumprimento de todos os avisos e instruções pode originar choque eléctrico, incêndio e/ou ferimentos graves.

Guarde todos os avisos e instruções para futuras referências.

AVISOS DE SEGURANÇA DA SERRA DE ESQUADRIA A BATERIA

1. Mantenha as mãos afastadas da parte cortante do disco. Evite tocar no disco quando este rodar por inércia. Pois, mesmo assim, este pode provocar lesões.
2. Verifique a disco de corte com cuidado quanto a rachaduras ou deformação antes da utilização. Substitua imediatamente uma lâmina danificada.
3. Substitua a placa de corte quando estiver gasta.
4. Utilize apenas discos de corte especificadas pelo fabricante que estejam em conformidade com a EN847-1.
5. Não utilize discos de corte feitos de aço rápido.
6. Use óculos de protecção.
7. Use protecção auditiva para reduzir o risco de perda auditiva.
8. Utilize luvas para manusear o disco de corte e materiais perigosos (os discos de corte devem ser transportados em um estojo sempre que possível).
9. Ligue as serras de esquadria a um dispositivo de pó, ao serrar.
10. Selecciono os discos de corte em função do material a cortar.
11. Utilize a serra apenas para cortar madeira.
12. Prenda as porções móveis antes de transportar a ferramenta. Quando levantar ou transportar a ferramenta, não utilize o resguardo como pega de transporte.
13. Não utilize a serra sem os resguardos de segurança montados. Verifique se o resguardo de segurança do disco se encontra devidamente fechado antes de cada utilização. Não trabalhe com a serra se o resguardo de segurança do disco não se movimentar livremente e fechar instantaneamente. Nunca fixe nem prenda o resguardo de segurança do disco em posição aberta.
14. Mantenha a área do piso livre de materiais soltos, por exemplo, aparas e lascas.
15. Utilize apenas discos de corte marcadas com uma velocidade máxima igual ou superior ao valor da velocidade sem carga marcada na ferramenta.
16. Quando a ferramenta está instalada com um laser ou LED, não os substitua por outros diferentes. Peça a reparação num centro de assistência autorizado.
17. Não retire os recortes ou outras partes da peça de trabalho da área de corte enquanto a ferramenta está a funcionar com uma disco de corte sem resguardo.
18. Não efectue qualquer operação com as mãos livres. A peça a trabalhar tem de estar fixa com segurança à base giratória, e a placa guia ao torno durante todas as operações. Nunca utilize as mãos para segurar a peça a trabalhar.
19. Certifique-se de que a ferramenta está estável antes de cada corte.
20. Fixe a ferramenta num torno de bancada, se necessário.
21. Suporte as peças de trabalho longas com os suportes adicionais apropriados.
22. Nunca corte peças de trabalho tão pequenas que não consigam ficar bem seguras no torno. Uma peça de trabalho mal segura pode provocar recuo e ferimentos pessoais graves.
23. Nunca toque na periferia cortante do disco.
24. Desligue a ferramenta e aguarde que o disco de corte pare antes de movimentar a peça a trabalhar ou antes de alterar a regulação.
25. Desligue a ferramenta da tomada antes de mudar o disco ou de proceder a operações de manutenção.
26. O pino de travagem que bloqueia a cabeça de corte é só para fins de transporte e armazenagem e não para operação de corte.
27. Não utilize a ferramenta na presença de líquidos ou gases inflamáveis. O funcionamento eléctrico da ferramenta pode provocar uma explosão e incêndio se essa for exposta a líquidos ou gases inflamáveis.
28. Utilize exclusivamente os flanges especificadas para esta ferramenta.
29. Tenha cuidado para não danificar o eixo, os flanges (especialmente a superfície de instalação) ou o perno. Os danos nestes componentes podem provocar a fractura do disco.
30. Certifique-se de que a base giratória está bem fixa, de modo a que não se movimente durante a operação.
31. Por razões de segurança, e antes da utilização limpe a bancada de aparas, restos e detritos, etc.
32. Evite cortar pregos. Inspeccione a peça a trabalhar e retire todos os pregos antes da operação.
33. Certifique-se de que soltou o travão do eixo antes de ligar o interruptor.
34. Certifique-se de que, na posição mais baixa, o disco de corte não fica em contacto com a base giratória.
35. Agarre na pega com firmeza. Tenha em conta que a serra se movimentará um pouco para cima e para baixo, durante o arranque e a paragem da ferramenta.
36. Verifique se o disco não está em contacto com a peça a trabalhar antes de ligar o interruptor.
37. Antes de utilizar a ferramenta na peça a trabalhar, deixe-a funcionar em vazio durante algum tempo. Verifique se existem vibrações ou movimento irregular que possam indicar má instalação ou desequilíbrio do disco.
38. Aguarde que o disco atinja a velocidade máxima antes de iniciar o corte.

39. Pare a ferramenta de imediato se notar algo no funcionamento que não seja normal.
40. Não tente bloquear o gatilho na posição ON (Ligado).
41. Mantenha-se atento, especialmente no decorrer de operações repetitivas e monótonas. Não se deixe convencer por uma falsa sensação de segurança. Os discos de corte provocam lesões muito graves.
42. Utilize sempre os acessórios recomendados neste manual. A utilização de acessórios inadequados tais como discos abrasivos podem dar origem a lesões.
43. Tenha cuidado quando fizer rasgos.
44. Algum do pó proveniente da operação contém químicos que provocam cancro, defeitos congénitos ou problemas no aparelho reprodutor. Alguns exemplos desses químicos são:
 - Chumbo de material cuja tinta contenha chumbo
 - Arsénio ou crómio de madeira tratada quimicamente.

O risco a esta exposição varia, dependendo da frequência com que executa este tipo de trabalho. Para reduzir a exposição a estes químicos: trabalhe numa área bem ventilada e utilize equipamento de segurança adequado, como uma máscara contra o pó especialmente concebida para filtrar as partículas microscópicas.
45. Para reduzir o ruído emitido, verifique sempre se o disco de corte está afiado e limpo.
46. O operador tem a formação adequada para utilização, ajuste e manutenção da ferramenta.

GUARDE ESTAS INSTRUÇÕES.

⚠ AVISO:

NÃO permita que conforto ou familiaridade com o produto (adquirido com o uso repetido) substitua a aderência estrita às regras de segurança da ferramenta. **MÁ INTERPRETAÇÃO** ou não seguimento das regras de segurança estabelecidas neste manual de instruções pode causar danos pessoais sérios.

ENC007-7

IMPORTANTES INSTRUÇÕES DE SEGURANÇA

PARA A BATERIA

1. Antes de utilizar a bateria, leia todas as instruções e etiquetas de precaução no (1) carregador de bateria (2) bateria e (3) produto que utiliza a bateria.
2. Não abra a bateria.
3. Se o tempo de funcionamento se tornar excessivamente curto, pare o funcionamento imediatamente. Pode resultar em sobreaquecimento, possíveis queimaduras e mesmo explosão.
4. Se entrar electrólito nos seus olhos, lave-os com água e consulte imediatamente um médico. Pode resultar em perda de visão.
5. Não corte-circuite a bateria:
 - (1) Não toque nos terminais com qualquer material condutor.
 - (2) Evite guardar a bateria juntamente com outros objectos metálicos tais como pregos, moedas, etc.

- (3) Não exponha a bateria à água ou chuva.

Um curto-circuito pode ocasionar um enorme fluxo de corrente, sobreaquecimento, possíveis queimaduras e mesmo estragar-se.

6. Não guarde a ferramenta e a bateria em locais onde a temperatura pode atingir ou exceder 50°C.
7. Não queime a bateria mesmo que esteja estragada ou completamente gasta. A bateria pode explodir no fogo.
8. Tenha cuidado para não deixar cair ou dar pancadas na bateria.
9. Não utilize uma bateria danificada.

GUARDE ESTAS INSTRUÇÕES.

Conselhos para manter a máxima vida útil da bateria

1. Carregue a bateria antes que esteja completamente descarregada. Pare sempre o funcionamento da ferramenta e carregue a bateria quando notar menos poder na ferramenta.
2. Nunca carregue uma bateria completamente carregada. Carregamento excessivo diminui a vida útil da bateria.
3. Carregue a bateria à temperatura ambiente de 10°C – 40°C. Deixe que uma bateria quente arrefeça antes de a carregar.
4. Carregue a bateria uma vez a cada seis meses se não for utilizá-la por um longo período de tempo.

INSTALAÇÃO

Montagem da bancada

Quando a ferramenta sai de fábrica, a pega está bloqueada na posição inferior pelo pino de bloqueio. Liberte o pino de bloqueio pressionando a pega ligeiramente para baixo e puxe o pino de bloqueio. (Fig. 1)

⚠ AVISO:

- **Certifique-se de que a ferramenta não se mova na superfície de suporte.** O movimento da serra de esquadria sobre a superfície de suporte durante o corte pode resultar em perda de controlo e provocar ferimentos pessoais graves.

Esta ferramenta deve ser presa com dois pernos a uma superfície nivelada e estável utilizando os orifícios para os pernos existentes na base da ferramenta. Isto evitará que tombe e possíveis injúrias. (Fig. 2)

Rode o perno de regulação para a direita ou esquerda de modo a que fique em contacto com a superfície para manter a ferramenta estável. (Fig. 3)

DESCRIÇÃO FUNCIONAL

⚠ AVISO:

- **Certifique-se sempre de que a ferramenta esteja desligada e a bateria retirada antes de regular ou inspeccionar qualquer função da ferramenta.** Falha em desligar a ferramenta e retirar a bateria pode provocar o arranque accidental e resultar em ferimentos pessoais graves.

Instalação ou remoção da bateria (Fig. 4)

- Sempre desligue a ferramenta antes de colocar ou retirar a bateria.

- Para retirar a bateria, puxe-a para fora da ferramenta enquanto desliza o botão na frente da bateria.
- Para instalar a bateria, alinhe a lingueta da bateria com a ranhura no compartimento e deslize-a no lugar. Empurre-a até o fim para que a mesma se trave com um clique. Se puder ver a parte vermelha no lado superior do botão, significa que não está completamente bloqueada. Empurre-a totalmente até que não possa mais ver a parte vermelha. Caso contrário, a bateria poderá cair da ferramenta acidentalmente e provocar ferimentos em si mesmo ou em alguém próximo.
- Não utilize força quando coloca a bateria. Se a bateria não deslizar facilmente é porque não foi colocada correctamente.

Sistema de protecção da bateria (Bateria de íon lítio com a marca de estrela) (Fig. 5)

As baterias de íon lítio com a marca de estrela são equipadas com um sistema de protecção. O sistema desliga a ferramenta automaticamente para prolongar a vida útil da bateria.

A ferramenta para automaticamente durante o funcionamento se a mesma e/ou bateria se encontrar em uma das seguintes circunstâncias.

- **Sobrecarga:**
A ferramenta funcionou de maneira que puxa corrente elevada demais.
Nesse caso, liberte o gatilho do interruptor da ferramenta para parar a operação que provocou a sobrecarga da ferramenta. A seguir, carregue no gatilho do interruptor outra vez para ligar.
Se a ferramenta não ligar, a bateria está superaquecida. Nesse caso, aguarde até a bateria arrefecer antes de carregar no gatilho do interruptor outra vez.
- **Baixa tensão da bateria:**
A carga restante da bateria está baixa demais e a ferramenta não funciona. Nesse caso, retire a bateria e recarregue-a.

Resguardo da lâmina

Para todos os países não Europeus (Fig. 6)

Ao descer a pega, o resguardo da lâmina sobe automaticamente. O resguardo dispõe de um dispositivo de mola pelo que volta à posição original depois de concluído o corte e quando se ergue a pega.

⚠ AVISO:

- **Nunca estrague ou retire o resguardo da lâmina ou o dispositivo de mola que prende o resguardo.** Se retirar o resguardo de segurança, a lâmina exposta pode provocar ferimentos pessoais graves durante o funcionamento.

Para a sua própria segurança, mantenha sempre o resguardo da lâmina em boas condições. Qualquer operação irregular do resguardo da lâmina deve ser corrigida imediatamente. Verifique para se assegurar que o retorno do resguardo com a mola funciona bem.

⚠ AVISO:

- **Nunca utilize a ferramenta se o resguardo da lâmina ou o dispositivo de mola estiverem danificados, avariados ou não estiverem montados.** O funcionamento da ferramenta com um resguardo danificado, avariado ou retirado pode provocar ferimentos pessoais graves.

Para países Europeus (Fig. 7)

Ao descer a pega, o resguardo da lâmina A do disco sobe automaticamente. O resguardo da lâmina B sobe ao fazer contacto com a peça de trabalho. Os resguardos dispõem de um dispositivo de mola pelo que voltam à posição original depois de concluído o corte e quando se ergue a pega.

⚠ AVISO:

- **Nunca estrague ou retire o resguardo da lâmina ou o dispositivo de mola que prende o resguardo.** Se retirar o resguardo de segurança, a lâmina exposta pode provocar ferimentos pessoais graves durante o funcionamento.

Para a sua própria segurança, mantenha sempre cada um dos resguardos da lâmina em boas condições. Qualquer operação irregular dos resguardos da lâmina deve ser corrigida imediatamente. Verifique para se assegurar que o retorno dos resguardos da lâmina com a mola funciona bem.

⚠ AVISO:

- **Nunca utilize a ferramenta se o resguardo da lâmina ou o dispositivo de mola estiverem danificados, avariados ou não estiverem montados.** O funcionamento da ferramenta com um resguardo de segurança danificado, avariado ou retirado pode provocar ferimentos pessoais graves.

Se o resguardo da lâmina transparente ficar sujo ou partículas de pó aderirem de modo que a lâmina e/ou a peça de trabalho deixem de ser facilmente visíveis, retire a bateria e limpe cuidadosamente o resguardo com um pano húmido.

Não utilize solventes ou produtos de limpeza à base de petróleo no resguardo de segurança em plástico, pois esses podem danificá-lo.

Se o resguardo da lâmina se encontrar muito sujo e precisar ser limpo para o bom funcionamento, proceda como indicado abaixo:

Com a ferramenta desligada e a bateria retirada, utilize a chave hexagonal fornecida para desapertar o perno de encaixe hexagonal que fixa a tampa central. Liberte o perno de encaixe hexagonal rodando-o para a esquerda e levante o resguardo da lâmina e a cobertura central.

(Fig. 8)

Com o resguardo da lâmina assim posicionado, pode executar uma limpeza mais completa e eficiente. Quando termina a limpeza, execute o procedimento inverso e aperte o perno. Não retire a mola que prende o resguardo da lâmina. Se o resguardo ficar danificado com o decorrer do tempo ou pela acção dos raios UV, contacte um centro de assistência Makita para obter um novo resguardo.

NÃO FORCE NEM DESMONTE O RESGUARDO.

Posicionamento da placa de corte (Fig. 9 e 10)

Esta ferramenta é fornecida com placas de corte na base giratória para minimizar a produção de estilhaços no lado de saída de um corte. As placas de corte foram reguladas na fábrica de modo a que a lâmina da serra não toque nas placas de corte. Antes da utilização regule as placas de corte como se segue:

Primeiro, retire a bateria. Desaperte todos os parafusos (2 em cada lado esquerdo e direito) que prendem as placas de corte. Volte a apertá-los de modo que as placas de corte sejam facilmente movimentadas com a mão. Desça completamente a pega e empurre o pino de bloqueio para bloquear a pega na posição inferior. Solte os dois parafusos de aperto que prendem as braçadeiras deslizantes. Puxe o carroto completamente para si. Regule as placas de corte de modo a que contactem ligeiramente os lados dos dentes da lâmina. Aperte os parafusos da frente (não aperte demasiado). Empurre o carroto completamente na direcção da placa guia e regule as placas de corte de modo a que contactem ligeiramente os lados dos dentes da lâmina. Aperte os parafusos de trás (não aperte demasiado). Depois de regular as placas de corte, solte o pino de bloqueio e levante a pega. Em seguida aperte todos os parafusos firmemente.

OBSERVAÇÃO:

• **Depois de regular o ângulo de bisel, certifique-se de que as placas de corte estejam ajustadas correctamente.** O ajuste correcto das placas de corte auxilia a proporcionar suporte adequado à peça de trabalho, minimizando o seu desgaste.

Manutenção da máxima capacidade de corte (Fig. 11 e 12)

Esta ferramenta foi regulada na fábrica para fornecer a máxima capacidade de corte para uma lâmina de serra de 190 mm.

Retire a bateria antes de realizar qualquer ajuste. Quando instala uma nova lâmina, verifique sempre a posição limite inferior da lâmina e, se necessário, regule como se segue:

Primeiro, retire a bateria. Empurre o carroto até à guia de esquadria e desça a pega completamente. Utilize a chave hexagonal para rodar o perno de regulação até que a periferia da lâmina esteja ligeiramente saída debaixo da superfície da base giratória no local onde a face da frente da guia de esquadria encontra a superfície superior da base giratória.

Com a bateria retirada, rode a lâmina com a mão enquanto agarra na pega completamente para baixo para se certificar que a lâmina não contacta qualquer parte da base inferior. Reajuste ligeiramente, se necessário.

⚠️ AVISO:

• **Depois de instalar uma lâmina nova, certifique-se sempre, com a bateria retirada, de que a lâmina não toca em nenhuma parte da base inferior quando a pega se encontra totalmente abaixada.** Se a lâmina fizer contacto com a base, pode ocorrer um contragolpe e provocar ferimentos pessoais graves.

Placa de retenção (Fig. 13)

A posição limite inferior da lâmina pode ser facilmente regulada com a placa de retenção. Para a regular, rode a placa de retenção na direcção da seta como indicado na figura. Regule os parafusos de modo a que a lâmina pare na posição desejada quando desce completamente a pega.

Sub-guia (apenas para países europeus) (Fig. 14)

Esta ferramenta está equipada com uma sub-guia. Normalmente, posicione a sub-guia no interior. No entanto, quando se realizam cortes inclinados para a esquerda, vire-a para fora.

⚠️ PRECAUÇÃO:

• Quando realizar cortes de bisel para a esquerda, vire a sub-guia para fora. Caso contrário, entrará em contacto com a lâmina ou com uma parte da ferramenta, provocando possíveis ferimentos graves no operador.

Regulação do ângulo de esquadria (Fig. 15)

Solte o punho rodando-o para a esquerda. Rode a base giratória enquanto pressiona a alavanca de bloqueio. Quando tiver deslocado o punho para a posição onde o ponteiro aponta para o ângulo desejado na escala de esquadria, aperte firmemente o punho para a direita.

⚠️ PRECAUÇÃO:

• Depois de mudar o ângulo de esquadria, prenda sempre a base giratória apertando firmemente o punho.

OBSERVAÇÃO:

• Ao fazer rodar a base giratória, certifique-se de que levanta a pega totalmente.

Regulação do ângulo de bisel (Fig. 16 e 17)

Para regular o ângulo de bisel, liberte a alavanca na parte traseira da ferramenta para a esquerda.

Empurre a pega para a esquerda para inclinar a lâmina da serra até que o ponteiro aponte para o ângulo desejado na escala de bisel. Em seguida aperte a alavanca firmemente para a direita para prender o braço.

Para inclinar a lâmina para a direita, empurre o botão de libertação na parte traseira da ferramenta enquanto inclina ligeiramente a lâmina para a esquerda depois de libertar a alavanca. Com o botão de libertação pressionado, empurre a lâmina da serra para a direita.

⚠️ PRECAUÇÃO:

• Depois de mudar o ângulo de bisel, prenda sempre o braço apertando a alavanca para a direita.

OBSERVAÇÃO:

• Quando inclinar a lâmina da serra, certifique-se de que levanta a pega totalmente.

• Quando muda os ângulos de bisel, certifique-se de que posiciona as placas de corte correctamente como explicado na secção "Posicionamento da placa de corte".

Regulação da posição da alavanca (Fig. 18)

A alavanca pode ser reposicionada em qualquer ângulo de 30° quando a alavanca não fornece aperto adequado. Liberte e retire os parafusos que prendem a alavanca na parte traseira da ferramenta. Retire a alavanca e volte a instalá-la outra vez de modo a que esteja ligeiramente acima do nível. Prenda a alavanca firmemente com o parafuso.

Ação do interruptor

Para países Europeus (Fig. 19)

Para evitar que o gatilho seja acidentalmente accionado, existe um botão de segurança. Para ligar a ferramenta, empurre a alavanca para cima, pressione o botão de segurança e, em seguida, carregue no gatilho. Liberte o gatilho para parar.

⚠ AVISO:

- **Antes de instalar a bateria na ferramenta, certifique-se sempre de que o gatilho funciona correctamente e volta para a posição "OFF" quando libertado. Não carregue a fundo o gatilho sem pressionar o botão de segurança. Esta acção pode estragar o interruptor.** Funcionar com a ferramenta com um interruptor que não opera devidamente pode provocar a perda de controlo e resultar em ferimentos pessoais graves.

Há um furo no gatilho para instalar um cadeado e travar a ferramenta.

Para todos os países não Europeus (Fig. 20)

Para evitar que o gatilho seja acidentalmente accionado, existe um botão de segurança. Para iniciar a ferramenta pressione o botão de segurança e carregue no gatilho. Liberte o gatilho para parar.

⚠ AVISO:

- **Antes de instalar a bateria na ferramenta, certifique-se sempre de que o gatilho funciona correctamente e volta para a posição "OFF" quando libertado. Não carregue a fundo o gatilho sem pressionar o botão de segurança. Esta acção pode estragar o interruptor.** Funcionar com a ferramenta com um interruptor que não opera devidamente pode provocar a perda de controlo e resultar em ferimentos pessoais graves.

Há um furo no gatilho para instalar um cadeado e travar a ferramenta.

⚠ AVISO:

- **Não utilize um cadeado com haste ou cabo menor de 6,35 mm (1/4") de diâmetro.** Uma haste ou cabo menor pode não travar correctamente a ferramenta na posição de desligada e o funcionamento accidental pode provocar ferimentos pessoais graves.
- **NUNCA utilize a ferramenta sem que esta disponha de um gatilho totalmente operacional.** Qualquer ferramenta com um interruptor inoperante é ALTAMENTE PERIGOSA e tem de ser reparada antes de ser utilizada novamente, caso contrário pode causar ferimentos pessoais graves.
- Para a sua própria segurança, esta ferramenta está equipada com um botão de segurança que evita o arranque accidental da ferramenta. NUNCA utilize a ferramenta se esta funcionar quando carregar no gatilho sem pressionar o botão de segurança. Um interruptor que necessita de reparação pode provocar em funcionamento accidental e causar ferimentos pessoais graves. Envie a ferramenta para um centro de assistência Makita, para efeitos de reparação adequada ANTES de nova utilização.
- NUNCA tente anular o objectivo do botão de segurança utilizando fita adesiva ou qualquer outro meio. Um interruptor com o botão de segurança inoperante pode provocar o funcionamento accidental e causar ferimentos pessoais graves.

MONTAGEM

⚠ AVISO:

- **Certifique-se sempre de que a ferramenta esteja desligada e a bateria retirada antes de executar a manutenção na ferramenta.** Falha em desligar a ferramenta e retirar a bateria pode resultar em ferimentos pessoais graves.

Armazenamento da chave hexagonal (Fig. 21)

A chave hexagonal é armazenada como indicado na ilustração.

Para reutilizar a chave hexagonal, tire-a do suporte da chave.

Depois de utilizar a chave hexagonal, guarde-a colocando de volta no suporte da chave.

Instalar ou retirar a lâmina da serra

⚠ AVISO:

- **Certifique-se sempre de que a ferramenta esteja desligada e a bateria retirada antes de instalar ou retirar a lâmina.** O arranque accidental da ferramenta pode resultar em ferimentos pessoais graves.

⚠ PRECAUÇÃO:

- Utilize só a chave hexagonal da Makita fornecida para instalar ou retirar a lâmina. Se assim não for pode resultar em aperto excessivo ou insuficiente do perno de encaixe hexagonal. Pode causar danos.

Prenda a pega na posição elevada empurrando o pino de bloqueio. (Fig. 22)

Para retirar a lâmina, utilize a chave hexagonal para soltar o perno de encaixe hexagonal que prende a cobertura central rodando-o para a esquerda. Levante o resguardo da lâmina e a cobertura central. (Fig. 23)

Pressione o bloqueio do veio para prender o eixo e utilize a chave hexagonal para libertar o perno de encaixe hexagonal para a direita. Em seguida retire o perno de encaixe hexagonal, falgange exterior e lâmina. (Fig. 24)

NOTA:

- Se a flange inferior for removida, certifique-se de a instalar no veio com a saliência voltada para o lado oposto à lâmina. Se a flange for instalada incorrectamente, essa irá roçar contra a ferramenta.

Para instalar a lâmina, monte-a cuidadosamente no eixo certificando-se de que a direcção da seta na superfície da lâmina corresponde à direcção da seta na caixa da lâmina. Instale a falgange exterior e o perno de encaixe hexagonal e em seguida utilize a chave hexagonal para apertar o perno de encaixe hexagonal (para a mão esquerda) seguramente para a esquerda enquanto pressiona o bloqueio do veio.

Volte a colocar o resguardo da lâmina e a cobertura central na sua posição original. Em seguida aperte o perno de encaixe hexagonal para a direita para prender a cobertura central. Solte a pega da sua posição elevada empurrado o pino de bloqueio. Desça a pega para se certificar que o resguardo da lâmina funciona correctamente. Certifique-se de que o travão do veio soltou o eixo antes de fazer o corte. (Fig. 25 e 26)

Saco do pó (acessório) (Fig. 27)

Para instalar o fecho, alinhe a sua ponta superior com a marca triangular do saco do pó.

A utilização do saco do pó torna as operações de corte mais limpas e a recolha do pó mais fácil. Para prender o saco do pó, coloque-o no bocal do pó.

Quando o saco do pó se encontrar meio cheio, retire-o da ferramenta e tire o fecho. Esvazie o saco do pó, batendo-lhe ligeiramente para remover as partículas aderentes no interior que podem dificultar a recolha.

NOTA:

- Se ligar um aspirador a esta ferramenta, pode obter uma limpeza mais eficaz.

Prender a peça de trabalho (Fig. 28)

⚠️ AVISO:

- **É de extrema importância prender sempre a peça de trabalho de maneira correcta com o tipo de torno apropriado.** A não observância desta instrução pode resultar em ferimentos pessoais graves e danificar a ferramenta e/ou a peça de trabalho.
- **Depois de terminar o corte, não levante a lâmina até que esta esteja completamente parada.** Levantar a lâmina enquanto está a rodar por inércia pode causar ferimentos pessoais graves e danificar a peça de trabalho.
- **Ao cortar peças de trabalho maior do que a base de suporte da serra, deve-se apoiar o material ao longo de todo o comprimento, para além da base de suporte e na mesma altura, a fim de o manter nivelado.** O apoio adequado da peça de trabalho ajuda a evitar o encravamento do disco e possível contragolpe, o que pode provocar ferimentos pessoais graves. Não confie apenas no torno vertical e/ou horizontal para efeitos de fixação da peça de trabalho. O material fino tende a dobrar. Apoie a peça de trabalho em todo o comprimento, para evitar esmagamentos e eventuais CONTRAGOLPES.

Torno vertical (Fig. 29)

O torno vertical pode ser instalado em duas posições, tanto à esquerda como à direita da placa guia ou do conjunto de suporte (acessório auxiliar). Introduza o varão do torno no orifício existente na placa guia ou no conjunto de suporte e aperte o parafuso para fixar o varão do torno.

Posicione o braço do torno de acordo com a espessura e forma da peça de trabalho e prenda o braço do torno apertando o parafuso. Se o parafuso que prende o braço do torno contacta a placa guia, instale o parafuso no lado oposto do braço do torno. Certifique-se de que nenhuma parte da ferramenta contacta o torno quando baixa completamente a pega e puxa ou empurra os carretos até ao fim. Se algumas partes contactar o torno, volte a posicionar o torno.

Pressione a peça de trabalho direita contra a placa guia e a base giratória. Posicione a peça de trabalho na posição de corte desejada e fixe-a com firmeza apertando o manipulador do torno.

⚠️ AVISO:

- **A peça de trabalho tem de ser fixa com segurança contra a base giratória, e a placa guia com o torno durante todas as operações.** Se a peça de trabalho não estiver bem fixa contra a guia, o material pode mover-se durante a operação e danificar a lâmina, resultando em arremesso do material e perda de controlo, provocando ferimentos pessoais graves.

Torno horizontal (acessório opcional) (Fig. 30)

O torno horizontal pode ser instalado no lado esquerdo da base. Rodando o botão do torno para a esquerda, o parafuso fica solto e o eixo do torno pode ser movimentado rapidamente para fora e para dentro. Rodando o botão do torno para a direita, o parafuso mantém-se preso. Para agarrar a peça de trabalho, rode o botão do torno com cuidado até que a projecção atinja a sua posição superior e em seguida aperte-o seguramente. Se o botão do torno for forçado para dentro ou para fora enquanto está a ser rodado para a direita, a projecção pode parar num ângulo. Neste caso, volta a rodar o botão do torno para a esquerda até que o parafuso fique solto antes de o voltar a rodar cuidadosamente para a direita.

A largura máxima da peça de trabalho que pode ser presa pelo torno horizontal é 120 mm.

⚠️ AVISO:

- **Só agarre a peça de trabalho quando a projecção está na posição superior.** Se assim não for pode resultar em aperto insuficiente da peça de trabalho. Pode causar com que a peça de trabalho caia, estragar a lâmina ou causar perda de controlo que pode resultar em DANOS PESSOAIS.

Suportes e conjunto de suporte (acessórios opcionais) (Fig. 31 e 32)

Os suportes e o conjunto do suporte podem ser instalados em qualquer dos lados como um meio conveniente de suportar peças de trabalho horizontalmente. Instale-as como indicado na figura. Em seguida aperte os parafusos firmemente para prender os suportes e o conjunto do suporte.

Quando corta peças de trabalho compridas utilize o conjunto suporte-varão (acessório opcional). Consiste de dois conjuntos de suporte e dois varões 12.

⚠️ AVISO:

- **Suporte sempre as peças compridas de forma que fiquem niveladas com a superfície superior da base giratória para obter cortes precisos e evitar o perigo de perda de controlo.** O apoio adequado da peça de trabalho ajuda a evitar o encravamento da lâmina e um possível contragolpe, o que pode provocar ferimentos pessoais graves.

OPERAÇÃO

OBSERVAÇÃO:

- Antes da utilização, certifique-se de que liberta a pega da sua posição inferior puxando o pino de bloqueio.
- Não aplique pressão excessiva na pega enquanto corta. Força demasiada pode resultar em sobrecarga do motor e/ou diminuição de eficiência do corte. Empurre a pega para baixo só com a força necessária para um corte suave e sem diminuição significativa da velocidade da lâmina.
- Pressione suavemente a pega para baixo para executar o corte. Se a pega for pressionada para baixo com força ou se aplicar força lateral, a lâmina vibrará e deixará marca (marca da serra) na peça de trabalho e o corte não será perfeito.
- Quando executa corte correção empurre o carreto suavemente na direcção da placa guia sem parar. Se o movimento do carreto parar durante o corte, ficará uma marca na peça de trabalho e o corte não será perfeito.

AVISO:

- **Verifique se a lâmina não está em contacto com a peça de trabalho, etc., antes de ligar o interruptor.** Ligar a ferramenta enquanto a lâmina está em contacto com a peça de trabalho pode provocar contragolpes e ferimentos pessoais graves.

1. Corte de pressão (corte de peças pequenas) (Fig. 33)

Peças com até 52 mm de altura e 97 mm de largura podem ser cortadas da seguinte maneira.

Empurre os carretos completamente na direcção da placa guia e aperte os dois parafusos de aperto que prendem as braçadeiras deslizantes para a direita para prender os carretos. Prenda a peça de trabalho com o tipo de torno apropriado. Ligue a ferramenta sem que a lâmina faça qualquer contacto e espere até que a lâmina atinja toda a velocidade antes de a descer. Em seguida desça a pega suavemente para a posição completamente descida para cortar a peça de trabalho. Quando o corte termina, desligue a ferramenta e ESPERE ATÉ QUE A LÂMINA PÁRE antes de a voltar a colocar na posição elevada.

AVISO:

- **Aperte firmemente os dois parafusos de aperto que prendem as braçadeiras deslizantes para a direita para que os carretos não se movam durante a operação.** Aperto insuficiente do parafuso de fixação pode causar um contragolpe e provocar ferimentos pessoais graves.

2. Corte correção (empurrão) (corte de peças largas) (Fig. 34)

Solte os dois parafusos de aperto que prendem as braçadeiras deslizantes para a esquerda para que os carretos possam deslizar livremente. Prenda a peça de trabalho com o tipo de torno apropriado. Puxe os carretos completamente para si. Ligue a ferramenta sem que a lâmina faça qualquer contacto e espere até que atinja a velocidade máxima. Empurre a pega para baixo e EMPURRE OS CARRETOS NA DIRECÇÃO DA PLACA GUIA E NA PEÇA DE TRABALHO. Quando o corte estiver concluído desligue a ferramenta e ESPERE ATÉ QUE A LÂMINA ESTEJA COMPLETAMENTE PARADA antes de a fazer voltar à posição completamente elevada.

AVISO:

- **Quando executa o corte correção, primeiro puxe o carro completamente para si e pressione a pega para a posição mais baixa e, em seguida, empurre o carro na direcção da placa guia. Nunca inicie o corte sem que o carro esteja completamente puxado para si.** Se executar o corte correção sem puxar completamente o carro para si, pode ocorrer um contragolpe inesperado e causar ferimentos pessoais graves.
- **Nunca tente executar o corte correção puxando o carro para si.** Puxar o carro para si enquanto executa o corte pode provocar um contragolpe inesperado e provocar ferimentos pessoais graves.
- **Nunca execute o corte correção com a pega bloqueada na posição inferior.**
- **Nunca desaperte o botão que prende os carros enquanto a lâmina está a rodar.** Se o carro não estiver bem preso ao executar o corte, pode provocar um contragolpe inesperado e provocar ferimentos pessoais graves.

3. Corte de esquadria

Refira-se à descrição prévia “Regulação do ângulo de esquadria”.

4. Corte de bisel (Fig. 35)

Solte a alavanca e incline a lâmina da serra para o ângulo de bisel regulado (Refira-se a “Regulação do ângulo de bisel” descrita anteriormente). Certifique-se de que volta a apertar a alavanca firmemente para prender seguramente o ângulo de bisel seleccionado. Prenda a peça de trabalho com um torno. Certifique-se de que o carro está puxado completamente para trás para o operador. Ligue a ferramenta sem que a lâmina faça qualquer contacto e espere até que a lâmina atinja a velocidade máxima. Em seguida desça cuidadosamente a pega até à posição mais baixa enquanto aplica pressão em paralelo com a lâmina e EMPURRE O CARRETO NA DIRECÇÃO DA PLACA GUIA PARA CORTAR A PEÇA DE TRABALHO. Quando o corte estiver concluído, desligue a ferramenta e ESPERE ATÉ QUE A LÂMINA ESTEJA COMPLETAMENTE PARADA antes de a fazer voltar à posição totalmente elevada.

AVISO:

- **Depois de regular o disco para o corte de bisel, verifique, antes de funcionar com a ferramenta, se o carro e a lâmina poderão se deslocar livremente por toda a distância do corte desejado.** A interrupção do deslocamento do carro ou da lâmina durante o corte pode provocar um contragolpe e causar ferimentos pessoais graves.
- **Mantenha as mãos afastadas do percurso da lâmina durante um corte de bisel.** O ângulo da lâmina pode confundir o operador com respeito ao percurso real da lâmina durante a lâmina e o contacto com a lâmina pode provocar ferimentos pessoais graves.
- **Não levante a lâmina antes de estar completamente parado.** Durante o corte de bisel, um bocado cortado pode ficar encostado na lateral da lâmina. Se levantar a lâmina enquanto está ainda a rodar, o bocado pode ser atirado pela lâmina e fragmentar-se, provocando ferimentos pessoais graves.

OBSERVAÇÃO:

- Quando descer a pega, exerça pressão paralelamente pela lâmina. Se a força for exercida perpendicularmente à base giratória ou se mudar a direcção da pressão durante o corte, provocará um corte imperfeito.

PRECAUÇÃO:

- (Apenas para países europeus) Coloque sempre a sub-guia na parte exterior quando realizar cortes de bisel para a esquerda.

5. Corte composto

Corte composto é o processo em que um ângulo de bisel é feito ao mesmo tempo em que um ângulo de esquadria é cortado na peça de trabalho. O corte composto pode ser executado no ângulo indicado na tabela.

Ângulo de esquadria	Ângulo de bisel
Esquerdo e Direito 45°	Esquerdo 0° – 45°
Direito 50°	Esquerdo 0° – 40°
Direito 55°	Esquerdo 0° – 30°
Direito 57°	Esquerdo 0° – 25°

006393

Medir

Meça o comprimento da parede e ajuste a peça de trabalho na mesa para cortar a borda de contacto com a parede no comprimento desejado. Assegure-se sempre de que o comprimento **traseiro da peça** cortada seja o mesmo que o da parede. Ajuste o comprimento cortado com o ângulo de corte. Corte sempre vários pedaços para fazer cortes de teste a fim de verificar os ângulos da serra.

Ao cortar sancas e molduras, regule o ângulo de bisel e o ângulo de esquadria como indicado na tabela (A) e posicione as molduras na superfície superior da base da serra como indicado na tabela (B).

Corte de bisel para a esquerda

Tabela (A)

	Posição da moldura nas Fig. 37 e 38	Ângulo de bisel		Ângulo de esquadria	
		Tipo 52/38°	Tipo 45°	Tipo 52/38°	Tipo 45°
Para canto interno	(1)	Esquerdo 33,9°	Esquerdo 30°	Direito 31,6°	Direito 35,3°
	(2)			Esquerdo 31,6°	Esquerdo 35,3°
Para canto externo	(3)			Direito 31,6°	Direito 35,3°
	(4)				

006361

Tabela (B)

	Posição da moldura nas Fig. 37 e 38	Borda da moldura contra a placa guia	Peça acabada
Para canto interno	(1)	A borda de contacto com o tecto deve ficar contra a placa guia.	A peça acabada ficará no lado esquerdo da lâmina.
	(2)	A borda de contacto com a parede deve ficar contra a placa guia.	
Para canto externo	(3)	A borda de contacto com o tecto deve ficar contra a placa guia.	A peça acabada ficará no lado direito da lâmina.
	(4)		

006362

Exemplo:

Cortar uma moldura do tipo 52/38° para a posição (1) nas **Fig. 37 e 38**:

- Incline e prenda a regulação do ângulo de bisel em 33,9° para a **ESQUERDA**.
- Ajuste e prenda a regulação do ângulo de esquadria em 31,6° para a **DIREITA**.
- Coloque a moldura na serra com a superfície traseira mais larga (oculta) na base giratória e com a **BORDA DE CONTACTO COM O TECTO** contra a placa guia.
- A peça acabada a ser utilizada ficará sempre no lado **ESQUERDO** da lâmina depois de cortar.

Quando executa corte composto refira-se às explicações de “Corte de pressão”, “Corte correção”, “Corte de esquadria” e “Corte de bisel”.

6. Corte de sancas e molduras

As sancas e molduras podem ser cortadas com uma serra de esquadria composta colocando-se as molduras retas na base giratória.

Há dois tipos comuns de molduras e um tipo de sanca; molduras com ângulos de 52/38° e 45° e sancas com ângulo de 45°. Consulte as figuras. (**Fig. 36**)

Há juntas de sancas e molduras que são próprias para encaixar em cantos “internos” de 90° ((1) e (2) nas **Fig. 37 e 38**) e cantos “externos” de 90° ((3) e (4) nas **Fig. 37 e 38**).

Corte de bisel para a direita

Tabela (A)

	Posição da moldura nas Fig. 37 e 38	Ângulo de bisel		Ângulo de esquadria	
		Tipo 52/38°	Tipo 45°	Tipo 52/38°	Tipo 45°
Para canto interno	(1)	Direito 33,9°	Direito 30°	Direito 31,6°	Direito 35,3°
	(2)			Esquerdo 31,6°	Esquerdo 35,3°
(3)	Direito 31,6°				
(4)					

006363

Tabela (B)

	Posição da moldura nas Fig. 37 e 38	Borda da moldura contra a placa guia	Peça acabada
Para canto interno	(1)	A borda de contacto com a parede deve ficar contra a placa guia.	A peça acabada ficará no lado direito da lâmina.
	(2)	A borda de contacto com o tecto deve ficar contra a placa guia.	
Para canto externo	(3)	A borda de contacto com a parede deve ficar contra a placa guia.	A peça acabada ficará no lado esquerdo da lâmina.
	(4)		

006364

Exemplo:

Cortar uma moldura do tipo 52/38° para a posição (1) nas **Fig. 37 e 38**:

- Incline e prenda a regulação do ângulo de bisel em 33,9° para a DIREITA.
- Ajuste e prenda a regulação do ângulo de esquadria em 31,6° para a DIREITA.
- Coloque a moldura na serra com a superfície traseira mais larga (oculta) na base giratória e com a BORDA DE CONTACTO COM A PAREDE contra a placa guia.
- A peça acabada a ser utilizada ficará sempre no lado DIREITO da lâmina depois de cortar.

7. Revestimento de madeira (Fig. 39)

A utilização de um revestimento de madeira assegura que as peças de trabalho não estilizem. Prenda um revestimento de madeira à placa guia utilizando os orifícios na placa guia.

Veja a figura relativamente às dimensões sugeridas de um revestimento de madeira.

PRECAUÇÃO:

- Utilize madeira com espessura uniforme para o revestimento de madeira.

AVISO:

- **Utilize parafusos para prender o revestimento de madeira à guia de esquadria. Os parafusos devem ser instalados de modo a que as cabeças dos parafusos estejam abaixo da superfície do revestimento de madeira para que não interfiram com o posicionamento do material a ser cortado.** O mau alinhamento do material a ser cortado pode provocar movimentos imprevistos durante a operação de corte, causando a perda de controlo e ferimentos pessoais graves.

OBSERVAÇÃO:

- Quando o revestimento de madeira está colocado, não rode a base giratória com a pega descida. A lâmina e/ou o revestimento de madeira ficarão estragados.

8. Corte do mesmo comprimento repetidamente (Fig. 40)

Quando corta várias peças de material com o mesmo comprimento, de 220 mm a 385 mm a utilização da placa de apoio (acessório opcional) facilitará uma operação mais eficiente. Instale a placa de apoio no suporte (acessório opcional) como indicado na figura.

Alinhe a linha de corte na peça de trabalho com o lado esquerdo ou direito do rasgo da placa de corte e, enquanto prende a peça de trabalho para não se mover, desloque a placa de regulação até que fique encostada à extremidade da peça de trabalho. Em seguida prenda a placa de regulação com o parafuso. Quando não utilizar a placa de regulação, liberte o parafuso e coloque a placa de regulação onde não interfira com o trabalho.

NOTA:

- A utilização do conjunto suporte-varão (acessório opcional) permite cortes repetidos com o mesmo comprimento até 2.200 mm.

9. Corte de ranhura (Fig. 41)

Podem fazer um corte tipo dado procedendo como se segue:

Regule a posição inferior da lâmina utilizando os parafusos de regulação e a placa de retenção para limitar a profundidade de corte da lâmina. Refira-se à secção “Placa de retenção” descrita anteriormente.

Depois de regular a posição de limite inferior da lâmina, corte ranhuras paralelas ao longo da largura da peça de trabalho utilizando um corte deslizante (empurrão) como indicado na figura. Em seguida retire o material da peça de trabalho entre as ranhuras com um cinzel.

AVISO:

- **Não tente executar este tipo de corte usando uma lâmina larga ou uma lâmina dado.** Tentar cortar ranhuras com uma lâmina larga ou lâmina dado pode resultar em cortes imprevistos bem como contragolpes, o que pode provocar ferimentos pessoais graves.

- **Certifique-se que volta a colocar a placa de retenção na posição original quando executa cortes que não sejam de ranhuras.** Tentar cortar com a placa de retenção na posição incorrecta pode resultar em cortes imprevistos e contragolpes, o que pode resultar em ferimentos pessoais graves.

Transporte da ferramenta (Fig. 42 e 43)

Certifique-se de que a bateria esteja retirada. Prenda a lâmina no ângulo de bisel de 0° e a base giratória completamente no ângulo de esquadria à direita. Prenda as braçadeiras deslizantes de forma que a braçadeira inferior fique bloqueada na posição com o carro puxado completamente na direcção do operador e as superiores fiquem travadas na posição com o carro empurrado completamente na direcção da placa guia. Desça a pega completamente e prenda-a na posição inferior empurrando o pino de bloqueio.

Transporte a ferramenta agarrando nos dois lados da base da ferramenta como indicado na figura. Se retirar os suportes, saco do pó, etc., pode transportar mais facilmente a ferramenta.

⚠ PRECAUÇÃO:

- Fixe sempre os componentes móveis antes de proceder ao transporte da ferramenta. Se peças da ferramenta se movem ou deslizam durante o transporte, pode ocorrer a perda de controlo ou balanço, provocando ferimentos pessoais.

⚠ AVISO:

- **O pino de bloqueio só serve para fins de transporte e armazenamento e nunca deve ser utilizado para quaisquer operações de corte.** A utilização do pino de bloqueio para operações de corte pode provocar movimento inesperado da lâmina e resultar em recuo e ferimentos pessoais graves.

MANUTENÇÃO

⚠ PRECAUÇÃO:

- Certifique-se sempre de que a ferramenta se encontra desligada e de que a bateria foi retirada antes de executar qualquer inspecção ou manutenção.

⚠ AVISO:

- **Certifique-se sempre de que a lâmina se encontra afiado e limpo, para obter um desempenho optimizado e seguro.** Tentar cortar com uma lâmina não afiado e/ou sujo pode causar contragolpes e provocar ferimentos pessoais graves.

OBSERVAÇÃO:

- Nunca utilize gasolina, benzina, diluente, álcool ou produtos semelhantes. Pode ocorrer a descoloração, deformação ou rachaduras.

Regulação do ângulo do corte

Esta ferramenta foi cuidadosamente regulada e alinhada na fábrica, mas manuseamento pouco cuidado pode afectar o alinhamento. Se a sua ferramenta não estiver alinhada correctamente proceda como se segue:

1. Ângulo de esquadria

Empurre o carro na direcção da placa guia e aperte os dois parafusos de aperto para prender o carro.

Solte o punho que prende a base giratória. Rode a base giratória de modo a que o ponteiro aponte para 0° na escala de esquadria. Em seguida rode a base giratória ligeiramente para a direita e esquerda para colocar a base giratória na ranhura de 0° de esquadria. (Deixe-a como está se o ponteiro não apontar para 0°.) Liberte o perno de encaixe hexagonal que prende a placa guia utilizando a chave hexagonal. (Fig. 44)

Desça a pega completamente e prenda-a na posição inferior empurrando o pino de bloqueio. Ajuste o lado da lâmina com a face da placa guia, utilizando um triângulo, esquadro, etc. Em seguida aperte firmemente o perno de encaixe hexagonal na placa guia em ordem a partir do lado direito. (Fig. 45)

Certifique-se de que o ponteiro aponta para 0° na escala de esquadria. Se o ponteiro não apontar para 0°, liberte o parafuso que prende o ponteiro e regule o ponteiro de modo a que aponte para 0°. (Fig. 46)

2. Ângulo de bisel

1. Ângulo de bisel de 0°

Empurre o carro na direcção da placa guia e aperte os dois parafusos de aperto para prender o carro. Desça a pega completamente e prenda-a na posição inferior empurrando o pino de bloqueio. Liberte a alavanca na parte traseira da ferramenta. Rode o perno de ajuste do ângulo de bisel de 0° (perno mais baixo) no lado direito do braço duas ou três voltas para a esquerda para inclinar a lâmina para a direita. (Fig. 47)

Ajuste o lado da lâmina com a superfície superior da base giratória utilizando um triângulo, esquadro, etc., rodando o perno de ajuste do ângulo de bisel de 0° para a direita. Em seguida aperte a alavanca firmemente. (Fig. 48)

Certifique-se de que o ponteiro no braço aponta para 0° na escala de bisel no suporte do braço. Se não apontar para 0°, solte o parafuso que prende o ponteiro e regule-o de modo a que aponte para 0°. (Fig. 49)

2. Ângulo de bisel de 45°

Regule o ângulo de bisel de 45° só depois de regular o ângulo de bisel de 0°. Para regular o ângulo de bisel à esquerda de 45°, solte a alavanca e incline a lâmina completamente para a esquerda. Certifique-se de que o ponteiro no braço aponta para 45° na escala de bisel no suporte do braço. Se o ponteiro não apontar para 45°, rode o perno de regulação do ângulo de bisel de 45° (perno superior) no lado direito do braço até que o ponteiro aponte para 45°. (Fig. 50)

Substituição das escovas de carvão (Fig. 51 e 52)

Desmonte e verifique as escovas de carvão regularmente. Substitua-as quando estas apresentarem um desgaste até à marca limite. Mantenha as escovas de carvão limpas e soltas, podendo deslizar nos suportes. Ambas as escovas de carvão devem ser substituídas em simultâneo. Utilize exclusivamente escovas de carvão idênticas.

Recorra a uma chave de parafusos para retirar as tampas dos suportes de escovas. Retire as escovas de carvão gastas, introduza as novas e fixe as tampas dos suportes.

Depois da utilização

- Depois da utilização, limpe as aparas e o pó que aderiu à ferramenta com um pano ou material semelhante. Mantenha o resguardo da lâmina limpo conforme instruções constantes da anterior secção com o título "Resguardo da lâmina". Lubrifique os componentes deslizantes com óleo de máquina para evitar a ferrugem.
- Quando guardar a ferramenta, puxe o carro completamente para si de modo a que o braço telescópico fique completamente introduzido na base giratória.

Para manter a SEGURANÇA e a FIABILIDADE do produto, as reparações e qualquer outra manutenção ou ajuste devem ser levadas a cabo pelos centros de assistência Makita autorizados, utilizando sempre peças de substituição Makita.

ACESSÓRIOS OPCIONAIS

⚠ AVISO:

- **Estes acessórios ou extensões são recomendados para utilização com a sua ferramenta Makita especificada neste manual.** A utilização de quaisquer outros acessórios ou extensões pode resultar em ferimentos pessoais graves.
- **Utilize apenas um acessório ou extensão Makita para o fim a que se destina.** A utilização inadequada de um acessório ou extensão pode resultar em ferimentos pessoais graves.

Se necessitar de informações adicionais relativas a estes acessórios, solicite-as ao seu centro de assistência Makita.

- Lâminas de serra com pontas de carbono
- Conjunto do torno (torno horizontal)
- Torno vertical
- Apoio do suporte
- Conjunto do suporte
- Conjunto do Suporte-varão
- Placa de apoio
- Saco do pó
- Régua triangular
- Chave hexagonal
- Vários tipos de baterias Makita e carregadores

NOTA:

- Alguns itens da lista podem estar incluídos na embalagem da ferramenta como acessórios padrão. Eles podem variar de país para país.

ENG905-1

Ruído

A característica do nível de ruído A determinado de acordo com EN61029:

Nível de pressão de som (L_{pA}): 88 dB (A)

Nível do som (L_{WA}): 98 dB (A)

Variabilidade (K): 3 dB (A)

Utilize protectores para os ouvidos

Vibração

Valor total da vibração (soma vectorial tri-axial) determinado de acordo com EN61029:

Emissão de vibração (a_{h1}): 2,5 m/s² ou inferior

Variabilidade (K): 1,5 m/s²

ENG901-1

- O valor da emissão de vibração indicado foi medido de acordo com o método de teste padrão e pode ser utilizado para comparar duas ferramentas.
- O valor da emissão de vibração indicado pode também ser utilizado na avaliação preliminar da exposição.

⚠ AVISO:

- A emissão de vibração durante a utilização real da ferramenta eléctrica pode diferir do valor de emissão indicado, dependendo das formas como a ferramenta é utilizada.
- Certifique-se de identificar as medidas de segurança para protecção do operador que sejam baseadas em uma estimativa de exposição em condições reais de utilização (considerando todas as partes do ciclo de operação, tal como quando a ferramenta está desligada e quando está a funcionar em marcha lenta além do tempo de accionamento).

ENH003-15

Só para países Europeus

Declaração de conformidade CE

A Makita declara que a(s) seguinte(s) máquina(s):

Designação da ferramenta:

Serra de Esquadria a Bateria

Modelos n.º/ Tipo: DLS713

Em conformidade com as seguintes directivas europeias:

2006/42/CE

São fabricadas de acordo com as seguintes normas ou documentos normalizados:

EN61029

O ficheiro técnico de acordo com a 2006/42/CE está disponível em:

Makita, Jan-Baptist Vinkstraat 2, 3070, Bélgica

30.6.2014



Yasushi Fukaya

Director

Makita, Jan-Baptist Vinkstraat 2, 3070, Bélgica

Illustrationsoversigt

1 Stopstifte	29 Udløserknap	56 Holderenhed
2 Bolt	30 Skrånitskala	57 Skrueknap
3 Justeringsbolt	31 Arm	58 Fræmspring
4 Rød del	32 Skrue	59 Skruespindel
5 Knap	33 Afbryderkontakt	60 Bund
6 Akku	34 Aflåseknap	61 Stang 12
7 Stjernemærke	35 Hul til hængelås	62 Spændeskruer
8 Beskyttelsesskærm	36 Nøgleholder	63 52/38° type kronefræmspring
9 Beskyttelsesskærm A	37 Sekskantnøgle	64 45° type kronefræmspring
10 Beskyttelsesskærm B	38 Midterafdækning	65 45° type indskæringsdel
11 Fingerskrue	39 Sekskantnøgle	66 Indvendigt hjørne
12 Indlægsplade	40 Bolt med indvendig sekskant	67 Udvendt hjørne
13 Savklinge	41 Sikkerhedsafdækning	68 Over 15 mm (5/8")
14 Klingetænder	42 Spindellås	69 Over 420 mm (16-1/2")
15 Venstre skrånit	43 Pål	70 Huller
16 Lige snit	44 Klingehus	71 Indstillingsplade
17 Anslag	45 Bolt med indvendig sekskant (venstreskåret)	72 Skær riller med klinger
18 Drejeskive	46 Ydre flange	73 Trekantslineal
19 Overflade på drejeskive	47 Indre flange	74 Armholder
20 Klingeperiferi	48 Spindel	75 0 graders geringsvinkel justeringsbolt
21 Justeringsskrue	49 Støpse	76 Venstre 45 graders geringsvinkel justeringsbolt
22 Stoparm	50 Støtud	77 Slidgrænse
23 Underanslag	51 Lukkeskinne	78 Kulholderdæksel
24 Viser	52 Støtte	79 Skruetrækker
25 Vinkelskala	53 Skruearm	
26 Låsearm	54 Skruestang	
27 Indstillingsgreb	55 Holder	
28 Håndtag		

SPECIFIKATIONER

Model	DLS713
Klangediameter	190 mm
Savbladstykkelse	1,3 mm – 2,0 mm
Hul (skaft) diameter	20 mm
Maks. geringsvinkel	Venstre 47°, Højre 57°
Maks. skråninkel	Venstre 45°, Højre 5°
Maks. skærekapacitet (H x B) med klinge med diameter på 190 mm.	

Geringsvinkel	Skråninkel		
	45° (venstre)	0°	5° (højre)
0°	25 mm x 300 mm	52 mm x 300 mm	40 mm x 300 mm
	—	*60 mm x 265 mm (Bemærk 1)	—
45° (venstre og højre)	25 mm x 212 mm	52 mm x 212 mm	—
	—	*60 mm x 185 mm (Bemærk 2)	—
57° (højre)	—	52 mm x 163 mm	—
	—	*60 mm x 145 mm (Bemærk 3)	—

Omdrejninger (ubelastet) (min ⁻¹)	2 200
Mål (L x B x H)	655 mm x 430 mm x 454 mm
Nettovægt	12,7 kg
Mærkespænding	DC 18 V

(Bemærk)

* mærket angiver, at et træanlæg med den følgende tykkelse anvendes.

1: Ved anvendelse af træanlæg med en tykkelse på 20 mm.

2: Ved anvendelse af træanlæg med en tykkelse på 15 mm.

3: Ved anvendelse af træanlæg med en tykkelse på 10 mm.

- På grund af vores kontinuerlige forsknings- og udviklingsprogrammer kan hosstående specifikationer blive ændret uden varsel.
- Specifikationer og akku kan variere fra land til land.
- Vægt inklusive akku, i henhold til EPTA-Procedure 01/2003

ENE076-1

Tilsligtet anvendelse

Denne maskine er beregnet til udførelse af præcis lige afkortning og geringsskæring i træ.

GEA010-1

Almindelige sikkerhedsregler for el-værktøj

⚠ ADVARSEL! Læs alle sikkerhedsadvvarsler og alle sikkerhedsinstruktioner. Hvis nedenstående advvarsler og instruktioner ikke overholdes, kan resultatet blive elektrisk stød, brand og/eller alvorlig personskade.

Gem alle advvarsler og instruktioner til fremtidig reference.

ENB118-4

SIKKERHEDSADVARSLER FOR AKKU-GERINGSSAV

1. Anbring aldrig Deres hænder eller fingre i savklings bane. Undgå kontakt med klingen, mens denne kører i frihjul. Berøring kan medføre alvorlig tilskadekomst.
2. Kontroller omhyggeligt savklingen for revner eller deformation inden anvendelsen. Udskift øjeblikkeligt klingen, hvis den er beskadiget.
3. Udskift indlægspladen, når den bliver slidt.
4. Brug kun savklinger, som anbefales af fabrikanten og som er i overensstemmelse med EN847-1.
5. Anvend ikke savklinger, der er fremstillet af hurtigstål.
6. Brug altid beskyttelsesbriller.
7. Brug høreværn for at reducere risikoen for nedsat hørelse.
8. Brug handsker, når savklingen anvendes (savklinger skal bæres i en holder, når det kan lade sig gøre) eller groft materiale håndteres.
9. Tilslut en afkorter-geringssav til en støvsamlende anordning, når der saves.
10. Vælg savklinger, der passer til det materiale, der skal skæres.
11. Anvend ikke saven til at skære andet end træ.
12. Fastgør altid alle bevægelige dele, inden maskinen transporteres. Når savklingen løftes eller bæres, må beskyttelsesskærmen ikke anvendes som bærehåndtag.
13. Anvend ikke saven, hvis beskyttelsesanordningerne ikke er forskriftsmæssigt anbragt. Kontrollér beskyttelsesskærmen for korrekt funktion før hver brug. Anvend ikke saven, hvis beskyttelsesskærmen ikke bevæger sig frit og lukker øjeblikkeligt. Beskyttelsesskærmen må aldrig klemmes eller bindes til åben position.
14. Hold gulvområdet fri for løse materialer, for eksempel spåner og afskær.
15. Brug kun savklinger, som er afmærket med en maksimal hastighed, der er den samme som eller større end den ubelastede hastighed, som er afmærket på maskinen.

16. Hvis maskinen er udstyret med en laser eller LED, må man ikke udskifte laseren eller LED'en med en anden type. Bed et autoriseret servicecenter om reparation.
17. Fjern aldrig afskær eller andre dele af arbejdsstykket fra skæreamrådet, mens maskinen kører med en ubeskyttet savklinge.
18. Udfør ikke nogen savninger på frihånd. Emnet skal altid være forsvarligt fastspændt mod drejeskiven og anslaget ved hjælp af skruestikken under alt arbejde med maskinen. Brug aldrig hånden til at holde emnet fast.
19. Sørg for, at maskinen er stabil, inden et snit udføres.
20. Fastspænd om nødvendigt maskinen på en arbejdsbænk.
21. Understøt lange arbejdsstykker med passende, ekstra støtteanordninger.
22. Skær aldrig et arbejdsstykke, der er så lille, at det ikke kan fastspændes ordentligt i skruestikken. Et arbejdsstykke, der ikke er ordentligt fastspændt, kan medføre tilbageslag og føre til alvorlig tilskadekomst.
23. Tag aldrig fast om og ræk aldrig omkring savklingen.
24. Sluk maskinen og vent indtil savklingen står helt stille, før emnet flyttes eller indstillinger ændres.
25. Træk netstikket ud før der udskiftes klinge eller foretages servicering.
26. Stopstift, som fastlåser skærehovedet, er kun beregnet til transport- og opbevaringsformål og ikke til nogen form for skæring.
27. Anvend ikke maskinen i nærheden af letantændelige væsker eller gasser. Den elektriske betjening af maskinen kan være årsag til eksplosion og brand, hvis den udsættes for antændelige væsker eller gasser.
28. Anvend kun flanger, der er anbefalet til brug med denne maskine.
29. Behandl aksel, flanger (specielt anlægsflanger) og bolte med omhu. Beskadigelse af disse dele kan medføre beskadigelse af savklingen.
30. Sørg for, at drejeskiven er fastlåst og ikke bevæger sig under brug.
31. Af hensyn til Deres sikkerhed bør affald og smådele fjernes fra drejeskivens overflade, før arbejdet påbegyndes.
32. Undgå at skære i søm. Fjern alle søm fra emnet, før arbejdet påbegyndes.
33. Forvis Dem om, at spindelåsen er løsnet, før De starter maskinen.
34. Sørg for, at savklingen ikke rører drejeskiven i nederste position.
35. Hold godt fast i grebet. Saven kan ved start og stop bevæge sig let op og ned.
36. Sørg for, at savklingen ikke er i berøring med emnet, før maskinen startes.
37. Før maskinen anvendes på emnet, skal den løbe i tomgang et stykke tid. Undersøg om der forekommer vibrationer eller rystelser, der kan være forårsaget af forkert montage eller manglende afbalancering af savklingen.
38. Påbegynd først savningen, når maskinen er oppe på fulde omdrejninger.
39. Afbryd straks anvendelsen, hvis De bemærker noget unormalt under brugen.

40. Forsøg aldrig at fastlåse afbryderen i "on" stillingen.
41. Vær altid på vagt; især under gentaget, monotont arbejde. Det er farligt at blive lullet ind i en falsk følelse af sikkerhed. Savklingerne er meget farlige.
42. Anvend altid kun det tilbehør, der er anbefalet i denne brugsanvisning. Anvendelse af upassende tilbehør, eksempelvis slibeskiver, kan medføre tilskadekomst.
43. Vær omhyggelig, når der skal laves notning.
44. Støv frembragt under anvendelse kan indeholde kemikalier, der er kendte for at kunne fremkalde kræft, give medfødte defekter eller anledning til anden skade på forplantningsevnen. Nogle eksempler på disse kemikalier er:
 - bly fra materialer, der er malet med blyholdigt maling
 - arsenik eller chrom fra kemisk behandlet tømmer.
 Risikoen i forbindelse med udsættelse for disse kemikalier afhænger af, hvor ofte De udfører denne type arbejde. For at reducere udsættelse for disse kemikalier bør De: arbejde i veludluftede områder og med anvendelse af godkendt sikkerhedsudstyr, såsom støvmaske, der er specielt konstrueret til at filtrere mikroskopiske partikler.
45. For at reducere den frembragte mængde støv bør De sikre, at savklingen altid er skarp og ren.
46. Operatøren skal være tilstrækkelig øvet i anvendelse, justering og operation af maskinen.

GEM DISSE INSTRUKTIONER.

⚠ ADVARSEL:

LAD IKKE bekvemmelighed eller kendskab til produktet (opnået gennem gentagen brug) forhindre, at sikkerhedsforskrifterne for produktet nøje overholdes. MISBRUG eller forsømmelse af at følge de i denne brugsvejledning givne sikkerhedsforskrifter kan føre til, at De kommer alvorligt til skade.

ENC007-7

VIGTIGE SIKKERHEDSFORSKRIFTER

FOR AKKU

1. Læs alle instruktioner og advarselmærkater på (1) akku opladeren, (2) akku og (3) produktet, som anvender akku.
2. Lad være med at skille akkuen ad.
3. Hold straks op med at anvende opladeren, hvis brugstiden er blevet stærkt afkortet. Fortsat anvendelse kan resultere i risiko for overophedning, forbrændinger og endog eksplosion.
4. Hvis du har fået elektrolytvæske i øjnene, skal du straks skylle den ud med rent vand og derefter øjeblikkeligt søge lægehjælp. I modsat fald kan resultatet blive, at du mister synet.
5. Vær påpasselig med ikke at komme til at kortslutte akkuen:
 - (1) Rør ikke ved terminalerne med noget ledende materiale.
 - (2) Undgå at opbevare akkuen i en beholder sammen med andre genstande af metal, som for eksempel søm, mønter og lignende.
 - (3) Udsæt ikke akkuen for vand eller regn.

Kortslutning af akkuen kan være årsag til en kraftig øgning af strømmen, overophedning, mulige forbrændinger og endog maskinstop.

6. Opbevar ikke maskinen og akkuen på et sted, hvor temperaturen kan nå eller overstige 50°C.
7. Lad være med at brænde akkuen, selv ikke i tilfælde, hvor det har lidt alvorlig skade eller er fuldstændig udtjent. Akkuen kan eksplodere, hvis man forsøger at brænde den.
8. Lad være med at brænde akkuen eller udsætte det for stød.
9. Anvend ikke en beskadiget akku.

GEM DENNE BRUGSANVISNING.

Tips til opnåelse af maksimal akku-levetid

1. Oplad altid akkuen, inden den er helt afladet. Stop altid maskinen og oplad akkuen, hvis det bemærkes, at maskineffekten er dalende.
2. Genoplad aldrig en fuldt opladet akku. Overopladning vil afkorte akkuens levetid.
3. Oplad akkuen ved stuetemperatur ved 10°C – 40°C. Lad altid en varm akku få tid til at køle af, inden den oplades.
4. Oplad akkuen en gang hver sjette måned, hvis den ikke anvendes i et længere tidsrum.

MONTERING

Montering på bænk

Når maskinen afsendes fra fabrikken, er håndtaget låst i den sænkede stilling af stopstiften. Frigor befæstelsesstiften ved samtidigt at udøve en let tryk nedad på grebet og trække i befæstelsesstiften. (Fig. 1)

⚠ ADVARSEL:

- Sørg for, at maskinen ikke bevæger sig på understøttelsesfladen. Hvis afkortverstekzaagen bevæger sig på understøttelsesfladen under skæringen, kan resultatet blive, at De mister herredømmet over saven og kommer alvorligt til skade.

Denne maskine bør altid befæstes med to bolte til en plan og stabil overflade med brug af de bolthuller, som findes i maskinens bund. Dette vil forhindre, at maskinen tipper med personskaade til følge. (Fig. 2)

Drej justeringsbolten i retningen med eller mod uret, så den kommer i berøring med gulvfladen, hvorved maskinen holdes stabil. (Fig. 3)

FUNKTIONSBESKRIVELSE

⚠ ADVARSEL:

- Vær altid sikker på, at der er slukket for maskinen og at akkuen er fjernet, inden De justerer eller kontrollerer maskinens funktioner. Forsømmelse af at slukke for maskinen og fjerne akkuen kan resultere i alvorlig tilskadekomst forårsaget af utilsigtet start af maskinen.

Isætning og fjernelse af akkuen (Fig. 4)

- Sluk altid for maskinen, inden De sætter akkuen i eller fjerner den.
- Akkuen fjernes ved at man trækker den ud af maskinen, idet man skyder knappen på forsiden af akkuen i stilling.

- Akkuen sættes i ved at man sætter tungen på akkuen ud for rillen i maskinen og lader den glide på plads. Sæt den altid hele vejen ind, så den låses på plads med et lille klik. Hvis den røde del på oversiden af knappen er synlig, betyder det, at den ikke er tilstrækkeligt låst. Sæt den helt ind, så den røde del ikke er synlig. Hvis dette ikke gøres, kan den falde ud af maskinen ved et uheld, hvorved De selv eller personer i nærheden kan komme til skade.
- Anvend ikke magt, når akkuen sættes i. Hvis akkuen ikke glider på plads uden problemer, betyder det, at den ikke sættes i på korrekt vis.

Akku-beskyttelsessystem (lithium-ion akku med et stjernemærke) (Fig. 5)

Lithium-ion akkuer med et stjernemærke er udstyret med et beskyttelsessystem. Dette system afbryder automatisk strømmen til maskinen, så akkuens levetid bliver længere.

Maskinen stopper automatisk under driften, hvis den og/eller akkuen kommer i en af følgende situationer:

- **Overbelastet:**
Maskinen anvendes på en måde, der bevirker, at den forbruger abnormt høj strøm.
Slip i denne situation afbryderknappen på maskinen og stop den anvendelse, der bevirkede, at maskinen blev overbelastet. Tryk derefter afbryderknappen ind igen for at starte igen.
Hvis maskinen ikke starter, er akkuen overophedet. Lad i dette tilfælde akkuen køle af, inden afbryderknappen trykkes ind igen.
- **Lav akku-spænding:**
Den tilbageværende akku-kapacitet er for lav, og maskinen vil ikke fungere. Fjern i denne situation akkuen fra maskinen og oplad den.

Beskyttelsesskærm

For alle lande udenfor Europa (Fig. 6)

Når De sænker grebet, hæver beskyttelsesskærmen sig automatisk. Beskyttelsesskærmen er fjederbelastet og vender tilbage til udgangspositionen, når arbejdet er afsluttet, og grebet atter hæves.

⚠ ADVARSEL:

- **Beskyttelsesskærmen må aldrig sættes ud af funktion og fjederen på skærmen må aldrig fjernes.** En synlig klinge, som er et resultat af en manglende beskyttelsesskærm, kan resultere i alvorlig tilskadekomst under anvendelsen.

I Deres egen sikkerheds interesse bør De altid holde beskyttelsesskærmen i forskriftsmæssig stand. Uregelmæssigheder i beskyttelsesskærmens gang bør straks korrigeres. Bekræft, at de fjederbelastede beskyttelsesskærme returnerer.

⚠ ADVARSEL:

- **Brug aldrig maskinen hvis beskyttelsesskærmen eller fjederen er beskadiget, defekt eller mangler.** Anvendelse af maskinen med en forkert eller aftaget beskyttelsesskærm kan resultere i alvorlig tilskadekomst.

For lande i Europa (Fig. 7)

Når De sænker grebet, hæver beskyttelsesskærm A sig automatisk. Beskyttelsesskærm B hæves i takt med at den kommer i berøring med et arbejdsstykke. Beskyttelsesskærmene er fjederbelastede og vender tilbage til udgangspositionen, når arbejdet er afsluttet og grebet atter hæves.

⚠ ADVARSEL:

- **Beskyttelsesskærmen må aldrig sættes ud af funktion og fjederen på skærmen må aldrig fjernes.** En synlig klinge, som er et resultat af en manglende beskyttelsesskærm, kan resultere i alvorlig tilskadekomst under anvendelsen.

I Deres egen sikkerheds interesse bør De altid holde hver beskyttelsesskærm i god, forskriftsmæssig stand. Uregelmæssigheder i beskyttelsesskærmenes gang bør straks korrigeres. Bekræft, at de fjederbelastede beskyttelsesskærme returnerer.

⚠ ADVARSEL:

- **Brug aldrig maskinen hvis beskyttelsesskærmen eller fjederen er beskadiget, defekt eller mangler.** Anvendelse af maskinen med en forkert eller aftaget beskyttelsesskærm kan resultere i alvorlig tilskadekomst.

Hvis den transparente beskyttelsesskærm bliver snavset eller der sidder så meget savsmuld på den og på en sådan måde, at savklingen og/eller arbejdsstykket ikke længere er synligt, skal akkuen tages ud og beskyttelsesskærmen skal rengøres med en fugtig klud.

Anvend ikke opløsningsmidler eller petroleum-baserede rengøringsmidler på plastic-beskyttelsesskærmen, da dette kan øve skade på skærmen.

Følg nedenstående trin, hvis savklingens beskyttelsesskærm er blevet snavset og har behov for at blive rengjort, for at den kan fungere korrekt.

Med maskinen slukket og akkuen taget ud, anvendes den medfølgende sekskantnøgle til at løse den bolt med indvendig sekskant, der holder midterafskærmningen på plads. Løsn bolt med indvendig sekskant ved at dreje den mod uret og hæv beskyttelsesskærmen og midterafskærmningen. (Fig. 8)

Med beskyttelsesskærmen anbragt på denne måde, er det lettere at udføre en mere effektiv rengøring. Når rengøringen er færdig, udføres den beskrevne procedure i omvendt orden, og sekskantbolten spændes til. Fjern ikke den fjeder, der holder beskyttelsesskærmen. Hvis beskyttelsesskærmen udviser skade på grund af alder eller udsættelse for ultraviolet lys, bedes De kontakte et Makita service-center for at få en ny skærm. **OMGÅ ELLER AFMONTER ALDRIG BESKYTTELSSESKÆRMEN.**

Placering af indlægsplader (Fig. 9 og 10)

Denne maskine er udstyret med indlægsplader i drejeskiven med det formål at minimere slitage på afslutningssiden af en savning. Indlægspladerne er fra fabrikken indstillet således, at savklingen ikke kommer i berøring med indlægspladerne. Indstil indlægspladerne inden brugen på følgende måde:

Fjern først akkuen. Løsn alle de skruer (2 hver i venstre og højre side), som fastholder indlægspladerne. Stram kun skrueene så meget, at indlægspladerne stadig nemt kan flyttes med hånden. Sænk håndtaget helt og tryk stopstiften ind for at låse håndtaget i den nederste stilling. Løsn de to spændeskruer, som fastholder skydestængerne. Træk slæden helt imod Dem. Indstil indstillingspladerne således, at de lige netop berører siderne af klingetænderne. Stram de forreste skruer (stram ikke for meget). Skub slæden helt mod anslaget og indstil indlægspladerne således, at de lige netop berører siderne af klingetænderne. Stram de bageste skruer (stram ikke for meget).

Frigør stopstiften, når indlægspladerne er indstillet og hæv håndtaget. Stram derefter alle skruerne godt til.

BEMÆRKNING:

- **Sørg for, når skråvinklen er indstillet, at indlægspladerne er korrekt indstillet.** Korrekt indstilling af indlægspladerne vil bidrage til at yde den rigtige støtte til arbejdsstykket og gøre risikoen for udrivning minimal.

Sikring af maksimal skæredybde (Fig. 11 og 12)

Denne maskine er på fabrikken indstillet til at give den maksimale skæredybde med en 190 mm savklinge.

Fjern akkuen, inden nogen justering udføres. Når der monteres en ny savklinge, skal den nedre grænseposition på klingens altid kontrolleres, og såfremt det er påkrævet, justeres som beskrevet herunder:

Fjern først akkuen. Skub slæden helt mod anslaget og sænk håndtaget fuldstændigt. Anvend en topnøgle til at dreje justeringsbolten, indtil klingeperiferien stikker en smule længere ned end overfladen på drejeskiven på det sted, hvor fronten på anslaget møder overfladen på drejeskiven.

Drej, med akkuen taget ud, savklingen med hånden, idet De holder håndtaget helt nede for at være sikker på, at savklingen ikke kommer i berøring med nogen del af den nedreste bund. Juster om nødvendigt en smule.

⚠ ADVARSEL:

- **Sørg altid for, når en ny klinge er monteret, og med akkuen fjernet, at klingens ikke kommer i berøring med nogen dele på den nedre bund, når grebet sænkes helt.** Hvis klingens kommer i berøring med bunden, kan resultatet blive tilbageslag med alvorlig tilskadekomst til følge.

Stoparm (Fig. 13)

Klingens nedre grænseposition kan nemt indstilles med stoparmen. For at indstille den, drejes stoparmen i pilens retning som vist på illustrationen. Indstil justeringsskruen således, at klingens stopper i den ønskede position, når håndtaget sænkes helt.

Underanslag (kun lande i Europa) (Fig. 14)

Denne maskine er udstyret med et underanslag. Underanslaget skal normalt anbringes indeni. Men ved udførelse af venstre skråsnit, skal det placeres udvendigt.

⚠ FORSIGTIG:

- Ved udførelse af venstre skråsnit, skal underanslaget placeres udvendigt. Ellers vil det komme i berøring med klingens eller en del af maskinen med risiko for at operatøren kommer alvorligt til skade.

Justering af geringsssnit (Fig. 15)

Løsn indstillingsgrebet ved at dreje det mod uret. Drej drejeskiven, mens låsearmen holdes nede. Når grebet er flyttet til den position, hvor viseren står ud for den ønskede vinkel på vinkelskalaen, fastgøres indstillingsgrebet ved at dreje det mod uret.

⚠ FORSIGTIG:

- Efter ændring af geringsvinklen, skal drejeskiven altid sikres ved at indstillingsgrebet spændes stramt til.

BEMÆRKNING:

- Når drejeskiven drejes, skal håndtaget været helt hævet.

Justering af skråvinklen (Fig. 16 og 17)

For at justere vinklen ved skråsnit, løsnes håndtaget på bagsiden af maskinen i retningen mod uret.

Tryk håndtaget mod venstre for at kippe savklingen, indtil viseren står ud for den ønskede vinkel på skråsnitskalaen. Stram derefter håndtaget for at holde armen på plads.

For at kippe savklingen mod højre, skal man trykke på udløserknappen på bagsiden af maskinen, mens man kipper klingens en smule mod venstre, efter at håndtaget er frigjort. Med udløserknappen nedtrykket, kippes savklingen derefter mod højre.

⚠ FORSIGTIG:

- Efter ændring af skråvinklen skal håndtaget altid sikres ved at det strammes i retningen med uret.

BEMÆRKNING:

- Når savklingen vipkes, skal De sørge for, at grebet er helt hævet.
- Husk, når skråvinklerne ændres, at placere indlægspladerne korrekt som forklaret i afsnittet "Placering af indlægsplader".

Indstilling af håndtags position (Fig. 18)

Håndtagets stilling kan skiftes ved hver vinkel 30°, hvis håndtaget ikke giver en fuldstændig stramning.

Løsn og fjern den skrue, der holder håndtaget på bagsiden af maskinen. Fjern håndtaget og monter det igen på en sådan måde, at det er en smule over niveau. Fastgør håndtaget godt med skruen.

Afbryderfunktion

For lande i Europa (Fig. 19)

For at forhindre at afbryderkontakten trykkes ind ved et uheld, er maskinen forsynet med en aflåseknap. Maskinen startes ved at man trykker håndtaget op og aflåseknapen ind og derefter trykker på afbryderkontakten. Slip afbryderkontakten for at stoppe.

⚠ ADVARSEL:

- **Inden akkuen monteres på maskinen, skal man altid kontrollere, at afbryderkontakten fungerer korrekt og returnerer til "OFF"-stillingen, når den slippes. Tryk ikke hårdt på afbryderkontakten, uden først at trykke aflåseknapen ind. Dette kan ødelægge afbryderkontakten.** Anvendelse af maskinen med en afbryderkontakt, som ikke fungerer korrekt, kan føre til, at De mister herredømmet over maskinen med alvorlig tilskadekomst som resultat.

Afbryderkontakten er forsynet et hul til indsættelse af en hængelås, så maskinen kan aflåses.

For alle lande udenfor Europa (Fig. 20)

For at forhindre at afbryderkontakten trykkes ind ved et uheld, er maskinen udstyret med en aflåseknap. Maskinen startes ved at man, trykker aflåseknapen ind og derefter trykker på afbryderkontakten. Slip afbryderkontakten for at stoppe.

⚠ ADVARSEL:

- **Inden akkuen monteres på maskinen, skal man altid kontrollere, at afbryderkontakten fungerer korrekt og returnerer til "OFF"-stillingen, når den slippes. Tryk ikke hårdt på afbryderkontakten, uden først at trykke aflåseknapen ind. Dette kan ødelægge afbryderkontakten.** Anvendelse af maskinen med en afbryderkontakt, som ikke fungerer korrekt, kan føre til, at De mister herredømmet over maskinen med alvorlig tilskadekomst som resultat.

Afbryderkontakten er forsynet et hul til indsættelse af en hængelås, så maskinen kan aflåses.

ADVARSEL:

- Anvend ikke en lås med et skaft eller et kabel, som er mindre end 6,35 mm (1/4") i diameter. Et mindre skaft eller kabel vil muligvis ikke låse maskinen i fra-stilling og utilsigtet drift kan ske med alvorlig tilskadekomst som resultat.
- Anvend ALDRIG maskinen, hvis afbryderkontakten ikke fungerer, som den skal. Enhver maskine med en ikke-virkende afbryderkontakt er MEGET FARLIG og skal repareres før yderligere anvendelse, da alvorlig tilskadekomst ellers kan blive resultatet.
- Til sikring af Deres sikkerhed er denne maskine forsynet med en aflåseknop, der forhindrer utilsigtet start af maskinen. Anvend ALDRIG maskinen, hvis den kører, når blot De trykker på afbryderkontakten, uden at der først er trykket på aflåseknappen. En afbryderkontakt, der bør repareres, kan resultere i utilsigtet drift og alvorlig tilskadekomst. Indlevér maskinen til et Makita service center til reparation FØR yderligere anvendelse.
- Aflåseknappen må ALDRIG sættes ud af kraft ved at tape den fast eller på nogen anden måde. En afbryderkontakt med en aflåseknop, der er sat ud af kraft, kan resultere i utilsigtet drift og alvorlig tilskadekomst.

SAMLING

ADVARSEL:

- Sørg altid for at maskinen er slukket, og at akkuen er taget ud, før der arbejdes på maskinen. Forsømmelse af at afbryde maskinen og tage den ud af forbindelse, kan resultere i alvorlig tilskadekomst.

Opbevaring af sekskantnøgle (Fig. 21)

Sekskantnøglen opbevares som vist på illustrationen. Når sekskantnøglen skal anvendes, kan den tages ud af topnøgleholderen.

Når sekskantnøglen er blevet anvendt, kan den opbevares ved at man lægger den tilbage i topnøgleholderen.

Montering og afmontering af savklingen

ADVARSEL:

- Vær altid sikker på, at der er slukket for maskinen og at akkuen er taget ud, inden savklingen monteres eller afmonteres. Utilsigtet start af maskinen kan resultere i alvorlig tilskadekomst.

FORSIGTIG:

- Anvend kun den sekskantnøgle, som er leveret af Makita, til at montere og afmontere savklingen. Anvendelse af andre topnøgler kan medføre en for hård eller for let tilspænding af bolten med indvendig sekskant. Dette kan medføre personskaade.

Lås håndtaget i den hævede stilling ved at trykke stopstiften ind. (Fig. 22)

For at afmontere savklingen anvendes sekskantnøglen til at løse den bolt med indvendig sekskant, der holder midterafdækningen, ved at dreje den i retningen mod uret. Løft beskyttelsesskærmen og midterafdækningen. (Fig. 23)

Tryk på spindellåsen, så spindelen låses, og anvend sekskantnøglen til at løse bolten med indvendig sekskant i retningen med uret. Fjern derefter bolten med indvendig sekskant, den ydre flange og savklingen. (Fig. 24)

BEMÆRK:

- Hvis den indre flange fjernes, skal De sørge for at montere den på spindelen med dens fremspring vendende bort fra klingens. Hvis flangen monteres forkert, vil den gnide mod maskinen.

For at montere savklingen sættes denne på spindelen, idet De forvisser Dem om, at pilens retning på savklingen stemmer overens med pilens retning på klingehuset. Monter den ydre flange og bolten med indvendig sekskant. Benyt derefter sekskantsnøglen til at spænde bolten med indvendig sekskant (venstreskåret gevind) fast ved at dreje den mod uret, mens der trykkes på spindellåsen. Sæt beskyttelsesskærmen og midterafdækningen tilbage på plads. Stram dernæst bolten med indvendig sekskant til i retningen med uret for at holde midterafdækningen på plads. Frigør håndtaget fra dets hævede position ved at trække i stopstiften. Sænk håndtaget for at sikre, at beskyttelsesskærmen bevæger sig på korrekt vis. Sørg for, at spindellåsen er udløst, før der saves. (Fig. 25 og 26)

Støvpose (tilbehør) (Fig. 27)

Lukkeskinnen monteres ved at man sætter den øverste ende af lukkeskinnen ud for det trekantede mærke på støvposen.

Anvendelse af støvposen giver et renere arbejdsmiljø og gør det nemmere at opsamle støv. Støvposen sættes på ved at posens mundstykke sættes over støvmundstykket. Når støvposen er cirka halvt fyldt, tages den af maskinen og lukkeskinnen trækkes ud. Tøm støvposen og bank let på den, så de støvpartikler, der har samlet sig på de indvendige flader og som kan nedsætte effektiviteten af støvopsamlingen, fjernes.

BEMÆRK:

- Hvis De tilslutter en Makita-støvsuger til denne maskine, kan renere udsugning opnås.

Fastspænding af arbejdsstykket (Fig. 28)

ADVARSEL:

- Det er yderst vigtigt altid at sørge for, at arbejdsstykket er ordentligt fastspændt i den rigtige type skruestik. Forsømmelse af at gøre dette, kan resultere i alvorlig tilskadekomst og øve skade på maskinen og/eller arbejdsstykket.
- Efter en skæring må klingens ikke hæves, før den er standset fuldstændigt. Hvis en klinge, der kører i frihjul, hæves, kan det resultere i alvorlig tilskadekomst og øve skade på arbejdsstykket.
- Når der skæres i et arbejdsstykke, som er længere end savens støtteplade, bør materialet understøttes i hele dets længde udover støttepladen og i den samme højde for at holde materialet plant. En ordentlig støtte af arbejdsstykket vil bidrage til at undgå at klingens klemmes fast og til at undgå risiko for tilbageslag, som kan resultere i alvorlig tilskadekomst. Forlad Dem ikke udelukkende på den lodrette og/eller vandrette skruestik ved fastspænding af emnet. Tynde materialer har en tendens til at bøje. Understøt et emne i hele dets længde, så det udgås at klingens klemmes fast med TILBAGESLAG som resultat.

2. Savning ved gliden (tryk) (skæring af brede arbejdsstykker) (Fig. 34)

Løsn de to spændeskruer, som holder skydestængerne, i retningen mod uret, så slæden kan glide frit. Fastspænd arbejdsstykket med den rigtige type skruestik. Træk slæden helt imod dig. Tænd for maskinen, uden at klingens kommer i kontakt med arbejdsstykket og vent, indtil klingens er kommet op på fuld hastighed. Tryk håndtaget ned og SKYD SLÆDEN MOD ANSLAGET OG GENNEM ARBEJDSSTYKKET. Afbryd maskinen, når skæringen er færdig, og VENT TIL SAVKLINGEN STÅR HELT STILLE, inden De sætter klingens tilbage til den øverste position.

⚠ ADVARSEL:

- Når De udfører et glidende snit, skal slæden først trækkes hele vejen mod Dem, mens grebet trykkes helt ned, og derefter skubbes slæden hele vejen mod anslaget. Start aldrig skæringen, hvis slæden ikke er trukket hele vejen mod Dem. Hvis De foretager det glidende snit, uden at slæden er trukket hele vejen mod Dem, kan der opstå uventede tilbageslag med alvorlig tilskadekomst som resultat.
- Forsøg aldrig at udføre et glidende snit ved at trække slæden mod Dem. Hvis De trækker slæden mod Dem under skæring, kan der opstå uventede tilbageslag med alvorlig tilskadekomst som resultat.
- Udfør aldrig savning ved gliden med håndtaget låst i den nederste position.
- Løsn aldrig knappen, som fastholder slæden, mens savklingen roterer. En løs slæde under skæring kan bevirke, at der opstår uventede tilbageslag med alvorlig tilskadekomst som resultat.

3. Geringssnit

Vi henviser til det tidligere afsnit "Justering af geringssnit".

4. Skrånsnit (Fig. 35)

Løsn armen og vip savklingen for at indstille vinklen til skrånsnit (Vi henviser til det tidligere afsnit "Justering af skråvinklen"). Sørg for at spænde armen godt fast igen, så skrånsnitvinklen ikke ændrer sig. Fastspænd arbejdsstykket i skruestikken. Kontroller, at slæden er trukket helt tilbage mod Dem. Tænd for maskinen uden at savklingen berører arbejdsstykket og vent, til klingens er kommet op på fulde omdrejninger. Sænk derefter forsigtigt håndtaget til den laveste position, mens der lægges tryk parallelt med savklingen og SKUB SLÆDEN MOD ANSLAGET FOR AT SKÆRE ARBEJDSSEMNET. Når skæringen er afsluttet, skal De slukke for maskinen og VENDE TIL SAVKLINGEN STÅR HELT STILLE, før savklingen bringes tilbage til dens øverste position.

⚠ ADVARSEL:

- Sørg for, efter indstilling af klingens til skråskæring, og inden De anvender maskinen, at slæden og klingens kan bevæge sig uhindret gennem hele området for det planlagte snit. Afbrydelse af slædens eller klingens bevægelse under skæringen, kan resultere i tilbageslag og alvorlig tilskadekomst.
- Hold hænderne uden for klingens bane, når en skråskæring udføres. Klingens vinkel kan forvirre operatøren med hensyn til klingens faktiske bane under skæringen, og kontakt med klingens vil føre til alvorlig tilskadekomst.

- Klingens bør ikke hæves, før den er stoppet helt. Under en skråskæring, kan det afskårne stykke komme til at hvile mod klingens. Hvis klingens hæves, mens den roterer, kan det afskårne stykke blive slynget bort fra klingens, hvilket kan bevirke, at materialet fragmenteres, og hvilket kan føre til alvorlig tilskadekomst.

BEMÆRKNING:

- Når håndtaget trykkes ned, skal dette gøres samtidig med at savklingen trykkes ned. Hvis der bruges magt lodret på drejeskiven eller hvis trykket ændres under bearbejdningen, bliver det udførte arbejde ikke nøjagtigt.

⚠ FORSIGTIG:

- (Kun lande i Europa) Anbring altid underanslaget udvendigt, når der udføres venstre skrånsnit.

5. Kombineret snit

Kombineret snit er betegnelsen for den proces, hvor der frembringes en skråvinkel, samtidig med at der laves en geringsvinkel i arbejdsstykket. Kombineret snit kan udføres i en vinkel som vist i nedenstående tabel.

Geringsvinkel	Skråvinkel
Venstre og højre 45°	Venstre 0° – 45°
Højre 50°	Venstre 0° – 40°
Højre 55°	Venstre 0° – 30°
Højre 57°	Venstre 0° – 25°

006393

Se forklaringerne i "Savning ved tryk", "Savning ved gliden", "Geringssnit" og "Skrånsnit", når der skal udføres kombineret savning.

6. Skærekroner og indskæringsdele

Krone- og indskæringsdele kan skæres med en afkortergeringssav med delene placeret fladt på drejeskiven. Der er to almindelige typer kronefremsping og en type indskæringsdel, 52/38° vægvinkelkronefremsping, 45° vægvinkelkronefremsping og 45° vægvinkelindskæringsdele. Se illustrationerne. (Fig. 36)

Der er krone- og indskæringsled, som er lavet til at passe "indvendige" 90° hjørner ((1) og (2) i Fig. 37 og 38) og "udvendige" 90° hjørner ((3) og (4) i Fig. 37 og 38).

Måling

Mål væglængden og juster arbejdsstykket på bordet for at skære vægkontaktkanten til den ønskede længde. Sørg altid for, at det afskårne arbejdsstykkets længde på bagsiden af arbejdsstykket er den samme som væglængden. Indstil skærelængden for vinklen af skæringen. Anvend altid flere stykker til prøveskæringer for at kontrollere savvinklerne.

Når De skærer kronefremsping og indskæringsdele, skal skråvinklen og geringsvinklen indstilles som indikeret i tabellen (A) og delene på tofladen af savpladen placeres som indikeret i tabellen (B).

Ved venstre skråsnit

Tabel (A)

	Fremspringsposition i Fig. 37 og 38	Skråvinkel		Geringsvinkel	
		52/38° type	45° type	52/38° type	45° type
Til indvendigt hjørne	(1)	Venstre 33,9°	Venstre 30°	Højre 31,6°	Højre 35,3°
	(2)			Venstre 31,6°	Venstre 35,3°
Til udvendigt hjørne	(3)			Højre 31,6°	Højre 35,3°
	(4)			Højre 31,6°	Højre 35,3°

006361

Tabel (B)

	Fremspringsposition i Fig. 37 og 38	Fremspringskant mod anslag	Færdiggjort stykke
Til indvendigt hjørne	(1)	Loftskontaktanten bør hvile mod anslaget.	Afsluttet stykke vil være på venstre side af klingens.
	(2)	Vægkontaktanten bør hvile mod anslaget.	
Til udvendigt hjørne	(3)	Loftskontaktanten bør hvile mod anslaget.	Afsluttet stykke vil være på højre side af klingens.
	(4)		

006362

Eksempel:

I tilfælde af skæring af 52/38° type kronefremspring til stilling (1) i **Fig. 37 og 38**:

- Vip og fastgør skråvinkelindstillingen til 33,9° VENSTRE.
- Juster og fastgør geringsvinkelindstillingen til 31,6° HØJRE.
- Læg kronefremspringet med den brede bagside (skjult) nedad på drejeskiven med dens LOFTSKONTAKTKANT mod anslaget på saven.
- Det færdige stykke, som skal anvendes, vil altid være på den VENSTRE side af klingens, efter at skæringen er lavet.

Ved højre skråsnit

Tabel (A)

	Fremspringsposition i Fig. 37 og 38	Skråvinkel		Geringsvinkel	
		52/38° type	45° type	52/38° type	45° type
Til indvendigt hjørne	(1)	Højre 33,9°	Højre 30°	Højre 31,6°	Højre 35,3°
	(2)			Venstre 31,6°	Venstre 35,3°
Til udvendigt hjørne	(3)			Højre 31,6°	Højre 35,3°
	(4)			Højre 31,6°	Højre 35,3°

006363

Tabel (B)

	Fremspringsposition i Fig. 37 og 38	Fremspringskant mod anslag	Færdiggjort stykke
Til indvendigt hjørne	(1)	Vægkontaktanten bør hvile mod anslaget.	Afsluttet stykke vil være på højre side af klingens.
	(2)	Loftskontaktanten bør hvile mod anslaget.	
Til udvendigt hjørne	(3)	Vægkontaktanten bør hvile mod anslaget.	Afsluttet stykke vil være på venstre side af klingens.
	(4)		

006364

Eksempel:

I tilfælde af skæring af 52/38° type kronefremspring til stilling (1) i **Fig. 37 og 38**:

- Vip og fastgør skråvinkelindstillingen til 33,9° HØJRE.
- Juster og fastgør geringsvinkelindstillingen til 31,6° HØJRE.
- Læg kronefremspringet med den brede bagside (skjult) nedad på drejeskiven med dens VÆGKONTAKTKANT mod anslaget på saven.
- Det færdige stykke, som skal anvendes, vil altid være på den HØJRE side af klingens, efter at skæringen er lavet.

7. Træanlæg (Fig. 39)

Anvendelse af træanlæg hjælper med til opnåelse af snit, der er fri for splinter. Fastgør et træanlæg til anslaget ved hjælp af hullerne i anslaget.

Se illustrationen angående målene for et foreslået træanlæg.

⚠ FORSIGTIG:

- Anvend et lige stykke træ med ensartet tykkelse som træanlæg.

⚠ ADVARSEL:

- **Anvend skruer til at fastgøre træanlægget på anslaget. Skruerne bør installeres således, at skruehovederne er under overfladen på træanlægget, således at de ikke vil komme i karambolage med det materiale, der skæres i.** Hvis det materiale, hvori der skæres, ikke er rettet korrekt ind, kan resultatet blive uventet bevægelse under skæringen, hvilket kan resultere i, at De nister herredømmet over maskinen og kommer alvorligt til skade.

BEMÆRKNING:

- Når træanlægget er monteret, må De ikke dreje bunden med hånden taget sænket. Klingens og/eller træanlægget vil i så fald lide skade.

8. Savning af ensartede længder (Fig. 40)

Når der skæres flere stykker materiale af samme længde, rækkende fra 220 mm til 385 mm, lettes bearbejdningen ved anvendelse af en indstillingsplade (ekstratilbehør). Monter indstillingspladen på holderen (ekstratilbehør) som vist på illustrationen.

Ret snitlinjen på arbejdsstykket ind efter enten den venstre eller højre side af slidens i indlægspladen. Mens arbejdsstykket holdes ubevægeligt, bringes indstillingspladen i flugt med enden af arbejdsstykket. Fastgør derefter indstillingspladen med skruen. Når indstillingspladen ikke anvendes, løsnes skruen, og indstillingspladen drejes væk, så den ikke er i vejen.

BEMÆRK:

- Anvendelse af holderstangenheden (ekstratilbehør) muliggør savning af ensartede længder op til cirka 2 200 mm.

9. Notskæring (Fig. 41)

En skæring af frisetypen kan udføres ved at man går frem som følger:

Indstil den nedre grænseposition for klingens ved hjælp af justeringskruen og stoparmen for at begrænse savklingsens skæredybde. Se det tidligere afsnit "Stoparm".

Når klingens nedre grænseposition er indstillet, skæres parallelle noter langs arbejdsstykket med anvendelse af savning ved gliden (tryk) som vist på illustrationen. Fjern derefter materialet mellem noterne med en mejsel.

⚠ ADVARSEL:

- **Forsøg ikke at udføre denne type skæring ved at anvende en bredere type klinge eller friseskæringsklinge.** Forsøg på at udføre en notskæring med en bredere type klinge eller en friseskæringsklinge kan føre til uventede skæringsresultater og tilbageslag, hvilket kan føre til alvorlig tilskadekomst.
- **Sørg altid for at sætte stoparmen tilbage til udgangsstillingen, når De udfører anden notskæring.** Forsøg på at udføre skæring med stoparmen i en forkert stilling, kan føre til uventede skæringsresultater og tilbageslag, hvilket kan føre til alvorlig tilskadekomst.

Transport af maskinen (Fig. 42 og 43)

Sørg for, at akkuen er fjernet. Fastgør klingens ved 0° skråsnitvinkel og drej bunden til den fulde højre geringsvinkelposition. Fastgør skydestængerne således, at den nederste skydestang er låst i stillingen med slæden trukket helt mod operatøren og de øverste skydestænger er låst i stillingen med slæden skubbet helt frem til anslaget. Sænk håndtaget helt og lås det i den sænkede stilling ved at trykke stopstiften ind.

Bær maskinen ved at holde i begge sider af maskinens bund som vist på illustrationen. Hvis De fjerner holderne, støvposen etc. bliver det nemmere at bære maskinen.

⚠ FORSIGTIG:

- Fastgør altid bevægelige dele, før maskinen transporteres. Hvis dele af maskinen bevæger sig eller glider, når maskinen bæres, kan De miste herredømmet over maskinen eller tabe fodfæstet, hvilket kan resultere i alvorlig tilskadekomst.

⚠ ADVARSEL:

- **Stopstiften er kun til transport- og opbevaringsformål og må aldrig anvendes til skærearbejde.** Anvendelse af stopstiften til skærearbejde kan føre til, at savklingen uventet bevæger sig med tilbageslag og tilskadekomst som resultat.

VEDLIGEHOVELSE

⚠ FORSIGTIG:

- Vær altid sikker på, at maskinen er slukket og at akkuen er taget ud, inden De begynder at udføre inspektion eller vedligeholdelse.

⚠ ADVARSEL:

- **Sørg altid for, at klingens er skarp og ren for at opnå det bedste resultat.** Forsøg på at skære med en sløv/snavset klinge kan medføre tilbageslag og resultere i alvorlig tilskadekomst.

BEMÆRKNING:

- Anvend aldrig benzin, rensebenzin, fortynder, alkohol og lignende. Resultatet kan blive misfarvning, deformation eller revner.

Indstilling af skærevinklen

Denne maskine er omhyggeligt indstillet og justeret på fabrikken, men indstillingerne kan ændre sig under transport og brug. De kan selv foretage indstillinger, som beskrevet herunder, hvis maskinen ikke er indstillet korrekt.

1. Geringsvinkel

Skub slæden mod anslaget og stram de to spændeskruer for at fastspænde slæden.

Løsn grebet, som holder drejeskiven. Drej drejeskiven, så viseren kommer til at stå ud for 0° på vinkelskalaen. Drej derefter en smule i retningen med og mod uret for at stille drejeskiven i 0° mærket. (Lad den være som den er, hvis viseren ikke står ud for 0°.) Løsn boltten med indvendig sekskant, som holder anslaget, med sekskantsnøglen. (Fig. 44)

Sænk håndtaget helt og lås det i den nederste position ved at skubbe stopstiften ind. Sæt savklingsens side i en ret vinkel til anlagesets forside ved hjælp af en trekantslineal, anslagsvinkel etc. fastspænd boltten med indvendig sekskant på anslaget, begyndende fra højre. (Fig. 45) Sørg for at viseren står ud for 0° på vinkelskalaen. Hvis den ikke gør det, løsnes skruen, som holder viseren, og viseren justeres så den står ud for 0°. (Fig. 46)

2. Skråvinkel

1. 0° skråvinkel

Skub slæden mod anslaget og stram de to spændeskruer for at fastspænde slæden. Sænk håndtaget fuldstændigt og lås det i den laveste position ved at skubbe stopstiften ind.

Løsn håndtaget på bagsiden af maskinen.

Drej justeringsboltten til justering af 0° skråvinkel på højre side af armen to eller tre gange i retningen mod uret for at hælde savklingen mod højre. (Fig. 47)

Sæt omhyggeligt savklingsens side i en ret vinkel til overfladen af drejeskiven ved hjælp af en trekantslineal, anslagsvinkel etc. ved at dreje skråvinkeljusteringsboltten til 0° skråvinkel i retningen med uret. Fastspænd derefter armen godt. (Fig. 48)

Sørg for, at viseren på armen står ud for 0° på vinkelskalaen på armholderen. Hvis den ikke gør det, løsnes skruen, som holder viseren, og viseren justeres, så den står ud for 0°. (Fig. 49)

2. 45° skråvinkel

Indstil kun 45° skråvinklen efter først at have udført justeringen for 0° skråvinklen. Indstil 45° skråvinklen ved at løsne håndtaget og hælde klingens helt til venstre. Sørg for, at viseren på armen står ud for 45° på vinkelskalaen på armholderen. Hvis den ikke gør det, drejes 45° skråvinkeljusteringsboltten på højre side af armholderen, indtil viseren står ud for 45°. (Fig. 50)

Udskiftning af kulbørsterne (Fig. 51 og 52)

Tag kulbørsterne ud og efterse dem periodisk. Kullene skal udskiftes, når de er slidt ned til slidgrænsen. Hold kulbørsterne rene, så de altid passer ind i hullerne. Begge kulbørster bør udskiftes parvis og samtidigt. Anvend kun identiske kulbørster.

Benytt en skruestrækker til at fjerne kuldækslerne. Tag de slidte kulbørster ud, sæt de nye i, og fastgør kuldækslerne.

Efter anvendelse

- Efter anvendelse aftørres spåner eller støv, der måtte klæbe til maskinen, med en klud eller lignende. Hold beskyttelsesskærmen ren som beskrevet i afsnittet "Beskyttelsesskærm". Smør de glidende dele på maskinen med maskinolie for at forhindre rustdannelse.

- Når maskinen skal opbevares, skal slæden trækkes helt mod Dem selv, så tappene bliver sat helt ind i drejeskiven.

For at opretholde produktets SIKKERHED og PÅLIDELIGHED, må istandsættelse, vedligeholdelse eller justering kun udføres af et autoriseret Makita service center med anvendelse af Makita reservedele.

EKSTRAUDSTYR

⚠ ADVARSEL:

- Dette udstyr og tilbehør bør anvendes sammen med Deres Makita maskine, sådan som det er beskrevet i denne brugsanvisning.** Anvendelse af andet ekstratilbehør eller tilbehør kan resultere i alvorlig tilskadekomst.
- Anvend kun Makita ekstratilbehør eller tilbehør til det beregnede formål.** Misbrug af ekstratilbehør eller tilbehør kan resultere i alvorlig tilskadekomst.

Hvis De behøver hjælp ved valg af tilbehør eller ønsker yderligere informationer, bedes De kontakte Deres lokale Makita service center.

- Savklinge med hårdmetalplade
- Skruestik (vandret skruestik)
- Lodret skruestik
- Holder
- Holderenhed
- Holderstangenhed
- Indstillingsplade
- Støvpose
- Trekantslineal
- Sekskantnøgle
- Forskellige typer af originale Makita-akkuer og opladere

BEMÆRK:

- Nogle ting på denne liste kan være inkluderet i værktøjsspakken som standardtilbehør. Det kan være forskellige fra land til land.

ENG905-1

Lyd

Det typiske A-vægtede støjniveau bestemt i overensstemmelse med EN61029:

Lydtryksniveau (L_{pA}): 88 dB (A)
Lydeffektniveau (L_{WA}): 98 dB (A)
Usikkerhed (K): 3 dB (A)

Bær høreværn

ENG900-1

Vibration

Vibrations totalværdi (tre-aksial vektorsum) bestemt i overensstemmelse med EN61029:

Vibrationsafgivelse (a_{h1}): 2,5 m/s² eller mindre
Usikkerhed (K): 1,5 m/s²

ENG901-1

- Den angivne vibrationsemmissionsværdi er blevet målt i overensstemmelse med standardtestmetoden og kan anvendes til at sammenligne en maskine med en anden.
- Den angivne vibrationsemmissionsværdi kan også anvendes i en preliminær eksponeringsvurdering.

⚠ ADVARSEL:

- Vibrationsemissionen under den faktiske anvendelse af maskinen kan være forskellig fra den erklærede emissionsværdi, afhængigt af den måde, hvorpå maskinen anvendes.
- Sørg for at identificere de sikkerhedsforskrifter til beskyttelse af operatøren, som er baseret på en vurdering af eksponering under de faktiske brugsforhold (med hensyntagen til alle dele i brugscyklen, som f.eks. de gange, hvor maskinen er slukket og når den kører i tomgang i tilgift til afbrydertiden).

ENH003-15

Kun for lande i Europa

EU-konformitetserklæring

Makita erklærer, at den følgende maskine (maskiner):

Maskinens betegnelse:

Kombineret afkorter-gerings sav med akku

Model nr./ Type: DLS713

opfylder betingelserne i de følgende EU-direktiver:

2006/42/EU

De er fremstillet i overensstemmelse med den følgende standard eller standardiserede dokumenter:

EN61029

Den tekniske fil, som er i overensstemmelse med 2006/42/EU, er tilgængelig fra:

Makita, Jan-Baptist Vinkstraat 2, 3070, Belgien

30.6.2014



Yasushi Fukaya

Direktør

Makita, Jan-Baptist Vinkstraat 2, 3070, Belgien

Περιγραφή γενικής άποψης

1 Πείρος αναστολέας	31 Βραχίονας	61 Ράβδος 12
2 Μπουλόνι	32 Βίδα	62 Βίδα σύσφιξης
3 Ρυθμιστικό μπουλόνι	33 Σκανδάλη διακόπτης	63 Ανάγλυφη μόρφωση στέψης υπό γωνία 52/38°
4 Κόκκινο τμήμα	34 Κουμπί κλειδώματος off	64 Ανάγλυφη μόρφωση στέψης υπό γωνία 45°
5 Κουμπί	35 Οπή λουκέτου	65 Μόρφωση κοιλωτής μαρκίζας υπό γωνία 45°
6 Κασέτα μπαταρίας	36 Θήκη κλειδιού	66 Εσωτερική γωνία τοίχου
7 Ένδειξη αστερίσκου	37 Εξαγωνικό κλειδί	67 Εξωτερική γωνία τοίχου
8 Προφυλακτήρας λάμας	38 Κάλυμμα κέντρου	68 Περισσότερο από 15 χιλ (5/8")
9 Προφυλακτήρας λάμας Α	39 Εξαγωνικό κλειδί	69 Περισσότερο από 420 χιλ (16-1/2")
10 Προφυλακτήρας λάμας Β	40 Εξάγωνο μπουλόνι	70 Τρύπες
11 Κεφαλόβιδα	41 Κάλυμμα ασφάλειας	71 Πλάκα ρύθμισης
12 Σανίδα εγκοπής	42 Ασφάλιση άξονα	72 Κόψτε αυλακώσεις με την λάμα
13 Λάμα πριονιού	43 Βέλος	73 Τριγωνικός κανόνας
14 Δόντια λάμας	44 Θήκη λάμας	74 Θήκη βραχίονα
15 Αριστερή κωνική κοπή	45 Εξάγωνο μπουλόνι (αριστερόχειρο)	75 Ρυθμιστικό μπουλόνι κωνικής γωνίας 0°
16 Ίσια κοπή	46 Εξωτερική φλάντζα	76 Ρυθμιστικό μπουλόνι αριστερής κωνικής γωνίας 45°
17 Φράχτης οδηγός	47 Εσωτερική φλάντζα	77 Σημάδι ορίου
18 Περιστροφική βάση	48 Αξονίσκος	78 Καπάκι θήκης ψήκτρας
19 Ανω επιφάνεια περιστροφικού τραπεζιού	49 Σάκος σκόνης	79 Κατσαβίδι
20 Περιφέρεια λάμας	50 Στόμο σκόνης	
21 Ρυθμιστική βίδα	51 Προσδετήρας	
22 Ανασταλτικός βραχίονας	52 Υποστήριξη	
23 Βοηθητικός φράχτης	53 Βραχίονας μέγγενης	
24 Δείκτης	54 Ράβδος μέγγενης	
25 Λοξή κλίμακα	55 Θήκη	
26 Μοχλός ασφάλισης	56 Σύνολο θήκης	
27 Λαβή	57 Κουμπί μέγγενης	
28 Μοχλός	58 Προβολή	
29 Κουμπί ελευθέρωσης	59 Αξονας μέγγενης	
30 Κωνική κλίμακα	60 Βάση	

ΠΡΟΔΙΑΓΡΑΦΕΣ

Μοντέλο

DLS713

Διάμετρος λάμας.....	190 χιλ
Πάχος σώματος λάμας	1,3 χιλ – 2,0 χιλ
Διάμετρος τρύπας (άξονα).....	20 χιλ
Μεγ. Λοξή γωνία.....	Αρ. 47°, Δεξ. 57°
Μεγ. Κωνική γωνία.....	Αρ. 45°, Δεξ. 5°

Μεγ. Ικανότητες κοπής (Υ x Π) με λάμα διαμέτρου 190 χιλ.

Λοξή γωνία	Γωνία φαλτσοκοπής		
	45° (αρ.)	0°	5° (δεξ.)
0°	25 χιλ x 300 χιλ	52 χιλ x 300 χιλ	40 χιλ x 300 χιλ
	—	*60 χιλ x 265 χιλ (Σημείωση 1)	—
45° (αρ. και δεξ.)	25 χιλ x 212 χιλ	52 χιλ x 212 χιλ	—
	—	*60 χιλ x 185 χιλ (Σημείωση 2)	—
57° (δεξ.)	—	52 χιλ x 163 χιλ	—
	—	*60 χιλ x 145 χιλ (Σημείωση 3)	—

Ταχύτητα χωρίς φορτίο (λεπ ⁻¹)	2.200
Διαστάσεις (Μ x Π x Υ).....	655 χιλ x 430 χιλ x 454 χιλ
Βάρος καθαρό	12,7 Χγρ
Εξοδος	D.C. 18 V

(Σημείωση)

* σύμβολο υποδεικνύει ότι μία επικάλυψη ξύλου με το εξής πάχος χρησιμοποιείται.

1: Όταν χρησιμοποιείται επένδυση ξύλου πάχους 20 χιλ.

2: Όταν χρησιμοποιείται επένδυση ξύλου πάχους 15 χιλ.

3: Όταν χρησιμοποιείται επένδυση ξύλου πάχους 10 χιλ.

- Λόγω του συνεχιζόμενου προγράμματός έρευνας και ανάπτυξης, οι προδιαγραφές αυτές υπόκεινται σε αλλαγές χωρίς προειδοποίηση.
- Τα τεχνικά χαρακτηριστικά και η κασέτα μπαταρίας μπορεί να διαφέρουν από χώρα σε χώρα.
- Βάρος, με κασέτα μπαταρίας, σύμφωνα με τη διαδικασία EPTA 01/2003

ENE076-1

Προοριζόμενη χρήση

Το εργαλείο προορίζεται για ευθείες και λοξές κοπές ακριβείας σε ξύλο.

GEA010-1

Γενικές προειδοποιήσεις ασφαλείας για το ηλεκτρικό εργαλείο

⚠ ΠΡΟΕΙΔΟΠΟΙΗΣΗ Διαβάστε όλες τις προειδοποιήσεις ασφαλείας και όλες τις οδηγίες. Η μη τήρηση των προειδοποιήσεων και οδηγιών ενδέχεται να καταλήξει σε ηλεκτροπληξία, πυρκαγιά ή/και σοβαρό τραυματισμό.

Φυλάξτε όλες τις προειδοποιήσεις και τις οδηγίες για μελλοντική παραπομπή.

ENB118-4

ΠΡΟΕΙΔΟΠΟΙΗΣΕΙΣ ΑΣΦΑΛΕΙΑΣ ΓΙΑ ΔΙΣΚΟΠΡΙΟΝΟ ΛΟΞΟΤΟΜΗΣ ΜΠΑΤΑΡΙΑΣ

1. Κρατάτε τα χέρια μακριά από την τροχιά της λάμης πριονιού. Αποφύγετε επαφή και με λάμες μικρής ταχύτητας. Μπορεί επίσης να προκαλέσουν σοβαρό τραυματισμό.
2. Πριν από τη λειτουργία, να ελέγχετε προσεκτικά τη λάμα πριονιού για ραγίσματα ή παραμόρφωση. Αντικαταστήστε αμέσως μια λάμα που έχει υποστεί ζημιά.
3. Αντικαταστήστε την πλάκα εγκοπής όταν παρουσιάσει φθορά.
4. Να χρησιμοποιείτε μόνο τις λάμες πριονιού που καθορίζει ο κατασκευαστής, οι οποίες συμμορφώνονται με το EN847-1.
5. Μη χρησιμοποιείτε λάμες πριονιού κατασκευασμένες από ασάβλι υψηλής ταχύτητας.
6. Φοράτε προστατευτικά οφθαλμών.
7. Να φοράτε προστατευτικά αυτιών για να μειώσετε τον κίνδυνο της απώλειας ακοής.
8. Να φοράτε γάντια όταν χειρίζεστε δίσκους (οι δίσκοι να μεταφέρονται σε ειδική θήκη μεταφοράς, όταν αυτό είναι εφικτό) και υλικά ανώμαλης επιφάνειας.
9. Συνδέστε το πριόνι λοξότομησης σε μία συσκευή συλλογής σκόνης όταν πριονίζετε.
10. Επιλέγεται τις λάμες πριονιού ανάλογα με το υλικό που πρόκειται να κοπεί.
11. Μη χρησιμοποιείτε το πριόνι για να κόψετε σιδηρή ή άλλο εκτός από ξύλο.
12. Πάντοτε ασφαλίστε όλα τα κινούμενα τμήματα πριν μεταφέρετε το εργαλείο. Όταν σηκώνετε ή μεταφέρετε το εργαλείο, μην χρησιμοποιείτε τον προφυλακτήρα ως χερούλι μεταφοράς.

13. Μη χειρίζεστε το εργαλείο χωρίς τους προφυλακτήρες στη θέση τους.

Ελέγξτε τον προφυλακτήρα λάμας για κανονικό κλείσιμο πριν από κάθε χρήση. Μη λειτουργείτε το πριόνι εάν ο προφυλακτήρας λάμας δεν κινείται ελεύθερα και δεν κλείνει αμέσως. Ποτέ μη σφίξετε ή δέσετε τον προφυλακτήρα λάμας στη θέση ανοίγματος.

14. Διατηρείτε την περιοχή του πατώματος χωρίς ελεύθερα υλικά π.χ. αποκοπείδια και αποκόμματα.
15. Να χρησιμοποιείτε μόνο λάμες πριονιού που είναι επισημασμένες με μέγιστη ταχύτητα ίση με ή υψηλότερη από την ταχύτητα χωρίς φορτίο που είναι επισημασμένη στο εργαλείο.
16. Όταν το εργαλείο είναι εφοδιασμένο με λέιζερ ή LED, μην αντικαθιστάτε το λέιζερ ή το LED με άλλο διαφορετικού τύπου. Απευθυνθείτε σε εξουσιοδοτημένο κέντρο σέρβις για επισκευή.
17. Μην αφαιρέτε ποτέ οποιαδήποτε κομμένα κομμάτια ή άλλα μέρη του τεμαχίου εργασίας από την περιοχή κοπής ενώ το εργαλείο βρίσκεται σε λειτουργία με απροστάτευτη λάμα.
18. Μην εκτελείτε καμιά λειτουργία στο χέρι. Το αντικείμενο εργασίας πρέπει να είναι ασφαλισμένο σταθερά στην περιστροφική βάση και στον φράκτη οδηγού με την μέγιστη σε κάθε λειτουργία. Ποτέ μη χρησιμοποιείτε το χέρι σας για να ασφαλίσετε το αντικείμενο εργασίας.
19. Βεβαιωθείτε ότι το εργαλείο είναι σταθερό πριν από κάθε κοπή.
20. Στερεώστε το εργαλείο σε πάγκο, εάν απαιτείται.
21. Στήριξη τα μακριά τεμάχια εργασίας με κατάλληλες επιπρόσθετες στηρίξεις.
22. Μην κόβετε το τεμάχιο εργασίας τόσο μικρό που να μην μπορεί να συγκρατηθεί στη μέγιστη με ασφάλεια. Ένα τεμάχιο εργασίας που συγκρατείται λανθασμένα μπορεί να προκαλέσει κλότσημα και σοβαρό προσωπικό τραυματισμό.
23. Ποτέ μην αγγίζετε τη λάμα πριονιού.
24. Σταματήστε το εργαλείο και περιμένετε για τη λάμα πριονιού να σταματήσει πριν μετακινήσετε το αντικείμενο εργασίας ή αλλάξετε τις ρυθμίσεις.
25. Αποσυνδέστε το εργαλείο πριν αλλάξετε λάμα ή κάνετε συντήρηση.
26. Ο πείρος αναστολής που κλειδώνει την κεφαλή του κόπτη κάτω είναι μόνο για τον σκοπό μεταφοράς και αποθήκευσης και όχι για λειτουργίες κοπής.
27. Μη χρησιμοποιείτε το εργαλείο όταν υπάρχουν κοντά εύφλεκτα υγρά ή αέρια. Η ηλεκτρική λειτουργία του εργαλείου θα μπορούσε να προκαλέσει έκρηξη και πυρκαγιά όταν εκτεθεί σε εύφλεκτα υγρά ή αέρια.
28. Χρησιμοποιείτε μόνο τις ειδικές φλάντζες για το εργαλείο αυτό.

29. Προσέξτε να μη κάνετε ζημιά στην άτρακτο, φλάντζες (ειδικά στην επιφάνεια εγκατάστασης) ή στο μπουλόνι. Ζημιά στα εξαρτήματα αυτά μπορεί να προκαλέσει σπάσιμο της λάμας.
30. Βεβαιώνετε ότι η περιστροφική βάση είναι κατάλληλα ασφαλισμένη, ώστε να μη μετακινηθεί κατά την λειτουργία.
31. Για την ασφάλειά σας, αφαιρέστε τα αποκοπίδια, μικρά τεμάχια, κλπ. από το τραπέζι πριν την λειτουργία.
32. Αποφύγετε την κοπή καρφιών. Ελέγξτε και αφαιρέστε όλα τα καρφιά από το αντικείμενο εργασίας πριν την λειτουργία.
33. Βεβαιώνετε ότι ο άξονας ασφάλισης είναι ελεύθερος πριν ενεργοποιήσετε τον διακόπτη.
34. Βεβαιώνετε ότη η λάμα δεν αγγίζει την περιστροφική βάση στην κατώτατη θέση.
35. Κρατάτε σταθερά τη λαβή. Έχετε υπόψη σας ότι το πριόνι κινείται πάνω και κάτω ελαφρά κατά το ξεκίνημα και το σταμάτημα.
36. Βεβαιώνετε ότ η λάμα δεν αγγίζει το αντικείμενο εργασίας πριν την ενεργοποίηση του διακόπτη.
37. Πριν χρησιμοποιήσετε το εργαλείο στο πραγματικό αντικείμενο εργασίας, αφήστε το να τρέξει για λίγο. Παρακολουθείστε το για κραδασμούς ή ταλαντεύσεις που μπορεί να δείχνουν κακή εγκατάσταση ή κακή ισοζύγισι λάμας.
38. Περιμένετε μέχρι η λάμα να αποκτήσει πλήρη ταχύτητα πριν αρχίσετε να κόβετε.
39. Σταματήστε αμέσως την λειτουργία εάν παρατηρήσετε κάτι αφύσικο.
40. Μη προσπαθήσετε να κλειδώσετε την σκανδάλη στη θέση ON.
41. Να είστε πάντοτε σε κατάσταση ετοιμότητας, ιδιαίτερα όταν κάνετε επαναληπτικές και μονότονες εργασίες. Μην ξεγελαστείτε ποτέ ότι βρίσκεστε σε κατάσταση ασφάλειας. Οι λάμες είναι υπερβολικά αδυσώπητες.
42. Πάντοτε χρησιμοποιείτε τα ανταλλακτικά που συνιστώνται στο εγχειρίδιο αυτό. Χρήση ακατάλληλων ανταλλακτικών όπως λειαντικών τροχών μπορεί να προκαλέσουν τραυματισμό.
43. Προσέχετε όταν κάνετε εγκοπές.
44. Σκόνη προερχόμενη από την λειτουργία περιέχει χημικά τα οποία είναι γινωστά καρκινογόνα, προκαλούν γεννητικές δυσμορφίες ή άλλη αναπαραγωγική ζημιά. Μερικά παραδείγματα των χημικών αυτών είναι:
 - μόλυβδος από υλικά χρωματισμένα με ουσίες με βάση τον μόλυβδο
 - αρσενικό και χρώμιο από χημικούς επεξεργασμένη ξυλεία.
 Ο κίνδυνος από την έκθεση στις ουσίες αυτές διαφέρει, εξαρτώμενος από πόσο συχνά γίνεται το είδος αυτό της εργασίας. Για να μειώσετε την έκθεσή σας στα χημικά αυτά: εργάζεστε σε μία πολύ καλά αεριζόμενη αίθουσα και εργάζεστε με χρησιμοποίηση εγκεκριμένων εφοδίων ασφάλειας όπως π.χ. με εκείνες τις μάσκες σκόνης που είναι ειδικά σχεδιασμένες να συγκρατούν μικροσκοπικά σωματίδια.
45. Για την μείωση του προκαλούμενου θορύβου, πάντοτε σιγουρεύεστε ότι η λεπίδα είναι ακονισμένη και καθαρή.

46. Ο χρήστης είναι επαρκώς εκπαιδευμένος στην χρήση, ρύθμιση και λειτουργία του εργαλείου.

ΦΥΛΑΞΤΕ ΤΙΣ ΟΔΗΓΙΕΣ ΑΥΤΕΣ.

⚠ ΠΡΟΕΙΔΟΠΟΙΗΣΗ:

ΜΗΝ επιτρέψετε στην άνεση ή στην εξοικειωσή σας με το προϊόν (που αποκτήθηκε από επανειλημμένη χρήση) να αντικαταστήσει την αυστηρή τήρηση των κανόνων ασφαλείας του παρόντος εργαλείου. ΚΑΚΗ ΧΡΗΣΗ ή αμέλεια να ακολουθήσετε τους κανόνες ασφαλείας που διατυπώνονται σ'αυτό το εγχειρίδιο οδηγιών μπορεί να προκαλέσει σοβαρό προσωπικό τραυματισμό.

ENC007-7

ΣΗΜΑΝΤΙΚΕΣ ΟΔΗΓΙΕΣ ΑΣΦΑΛΕΙΑΣ

ΓΙΑ ΚΑΣΕΤΑ ΜΠΑΤΑΡΙΑΣ

1. Πριν χρησιμοποίησετε την κασέτα μπαταρίας, διαβάστε όλες τις οδηγίες και σημειώσεις προφύλαξης (1) στον φορτιστή μπαταρίας, (2) στην μπαταρία και (3) στο προϊόν που χρησιμοποιείτε την μπαταρία.
2. Μην αποσυναρμολογήσετε την κασέτα μπαταρίας.
3. Εάν ο χρόνος λειτουργίας έχει γίνει υπερβολικά βραχύς, σταματήστε την λειτουργία αμέσως. Αλλοίως, μπορεί να έχει ως αποτέλεσμα κίνδυνο υπερθέρμανσης, πιθανά εγκαύματα ή ακόμη και έκρηξη.
4. Εάν ηλεκτρολύτης μπει στα μάτια σας, ξεπλύνετε τα με καθαρό νερό και ζητήστε ιατρική φροντίδα αμέσως. Αλλοίως, μπορεί να έχει ως αποτέλεσμα απώλεια της όρασης σας.
5. Μη βραχυκυκλώνετε την κασέτα μπαταρίας:
 - (1) Μην αγγίζετε τους πόλους με οτιδήποτε αγώγιμο υλικό.
 - (2) Αποφεύγετε να αποθηκεύετε την κασέτα μπαταρίας μέσα σε ένα δοχείο μαζί με άλλα μεταλλικά αντικείμενα όπως καρφιά, νομίσματα, κλπ.
 - (3) Μην εκθέτε την κασέτα μπαταρίας στο νερό ή στη βροχή.
Ενα βραχυκύκλωμα μπαταρίας μπορεί να προκαλέσει μεγάλη ροή ρεύματος, υπερθέρμανση, πιθανά εγκαύματα ακόμη και σοβαρή βλάβη.
6. Μην αποθηκεύετε το εργαλείο και την κασέτα μπαταρίας σε τοποθεσίες όπου η θερμοκρασία μπορεί να φτάσει ή να ξεπεράσει τους 50°C.
7. Μη καίτε την κασέτα μπαταρίας ακόμη και εάν έχει σοβαρή ζημιά ή είναι εντελώς φθαρμένη. Η κασέτα μπαταρίας μπορεί να εκραγεί στην φωτιά.
8. Προσέχετε να μη ρίξετε κάτω ή χτυπήσετε την μπαταρία.
9. Μην χρησιμοποιείτε μπαταρία που έχει υποστεί ζημία.

ΦΥΛΑΞΤΕ ΤΙΣ ΟΔΗΓΙΕΣ ΑΥΤΕΣ.

Συμβουλές για διατήρηση μέγιστης ζωής μπαταρίας

1. **Φορτίστε την κασέτα μπαταρίας πριν από την πλήρη αποφόρτιση της. Πάντοτε σταματάτε την λειτουργία του εργαλείου και φορτίζετε την κασέτα μπαταρίας όταν παρατηρείτε μειωμένη ισχύ εργαλείου.**
2. **Ποτέ μην επαναφορτίζετε μια πλήρως φορτισμένη κασέτα μπαταρίας. Υπερφόρτιση μειώνει την ωφέλιμη ζωή της μπαταρίας.**
3. **Φορτίστε την κασέτα μπαταρίας σε θερμοκρασία δωματίου 10°C – 40°C. Αφήστε μία θερμή κασέτα μπαταρίας να κρυώσει πριν την φορτίσετε.**
4. **Φορτίστε την κασέτα μπαταρίας μία φορά κάθε έξι μήνες εάν δεν τη χρησιμοποιείτε για μεγάλη χρονική περίοδο.**

ΕΓΚΑΤΑΣΤΑΣΗ

Τοποθέτηση στον πάγκο

Όταν το εργαλείο αποστέλλεται, η λαβή είναι κλειδωμένη στην κάτω θέση κοντά στον πείρο αναστολέα. Ελευθερώστε τον πείρο αναστολέα ασκώντας ελαφρά πίεση προς τα κάτω πάνω στη λαβή και τραβώντας τον πείρο αναστολής ταυτόχρονα. (Εικ. 1)

⚠ ΠΡΟΕΙΔΟΠΟΙΗΣΗ:

- **Βεβαιωθείτε ότι το εργαλείο δεν θα μετακινηθεί πάνω στην επιφάνεια στήριξης.** Η μετακίνησή του διασκοπρίονου φάλτσκοπής πάνω στην επιφάνεια στήριξης κατά την κοπή ενδέχεται να καταλήξει σε απώλεια ελέγχου και σοβαρό τραυματισμό.

Αυτό το εργαλείο πρέπει να βιδωθεί με δύο μπουλόνια σε μία επίπεδο και σταθερή επιφάνεια χρησιμοποιώντας τις τρύπες μπουλονιών που παρέχονται στην βάση του εργαλείου. (Εικ. 2)

Γυρίστε το ρυθμιστικό μπουλόνι δεξιόστροφα ή αριστερόστροφα έτσι ώστε να έρθει σε επαφή με την επιφάνεια του πατώματος για να κρατάει το εργαλείο σταθερό. (Εικ. 3)

ΠΕΡΙΓΡΑΦΗ ΛΕΙΤΟΥΡΓΙΑΣ

⚠ ΠΡΟΕΙΔΟΠΟΙΗΣΗ:

- **Να φροντίζετε πάντα ώστε το εργαλείο να έχει απενεργοποιηθεί και η κασέτα μπαταρίας να έχει αφαιρεθεί πριν από τη ρύθμιση ή τον έλεγχο λειτουργίας του εργαλείου.** Η μη απενεργοποίηση και αφαίρεση της κασέτας μπαταρίας ενδέχεται να καταλήξει σε σοβαρό τραυματισμό λόγω τυχαίας εκκίνησης.

Τοποθέτηση ή αφαίρεση κασέτας μπαταρίας (Εικ. 4)

- **Να απενεργοποιείτε πάντα το εργαλείο πριν από την εισαγωγή ή αφαίρεση της κασέτας μπαταρίας.**
- **Για να αφαιρέσετε την κασέτα μπαταρίας, τραβήξτε την έξω από το εργαλείο ενώ σύρετε το κουμπί στο μπροστινό μέρος της κασέτας.**

- **Για να εισάγετε την κασέτα μπαταρίας, ευθυγραμμίστε τη γλώσσα της κασέτας μπαταρίας με την αύλακα του περιβλήματος και εισάγετε σύροντάς την. Να φροντίζετε πάντα για την πλήρη εισαγωγή της, έως ότου ασφαλιστεί στη θέση της. με ένα χαρακτηριστικό ήχο (κλικ). Εάν είναι ορατό το κόκκινο τμήμα στην άνω πλευρά του κουμπιού, δεν έχει ασφαλιστεί κατάλληλα. Φροντίστε για την πλήρη εισαγωγή της, έως ότου το κόκκινο τμήμα να μην είναι ορατό. Εάν δεν ασφαλιστεί, ενδέχεται να πέσει από το εργαλείο τυχαία, προκαλώντας σωματική βλάβη σε εσάς ή κάποιον άλλο γύρω σας.**
- **Μην χρησιμοποιείτε δύναμη για την εισαγωγή της κασέτας μπαταρίας. Εάν η κασέτα δεν ολισθαίνει με ευκολία, τότε δεν έχει τοποθετηθεί κατάλληλα.**

Σύστημα προστασίας μπαταρίας (μπαταρία ιόντων λιθίου με ένδειξη αστεριού) (Εικ. 5)

Οι μπαταρίες ιόντων λιθίου με ένδειξη αστεριού είναι εξοπλισμένες με σύστημα προστασίας. Αυτό το σύστημα αποκόπτει αυτόματα την ισχύ προς το εργαλείο για την παράταση της ζωής της μπαταρίας. Το εργαλείο σταματάει αυτόματα κατά τη διάρκεια της λειτουργίας εάν το εργαλείο ή/και η μπαταρία βρεθούν κάτω από τις παρακάτω συνθήκες:

• Υπερφόρτιση:

Το εργαλείο λειτουργεί με τρόπο ώστε να αναγκάζεται να καταναλώνει ασυνήθιστα υψηλό ρεύμα.

Σε αυτή την κατάσταση, αφήστε το διακόπτη σκανδάλης και διακόψτε την εφαρμογή που προκαλεί την υπερφόρτιση του εργαλείου. Μετά, τραβήξτε ξανά το διακόπτη σκανδάλης για επανεκκίνηση.

Εάν το εργαλείο δεν ξεκινάει, η μπαταρία έχει υπερθερμανθεί. Σε αυτή την κατάσταση, αφήστε την μπαταρία να ψυχθεί πριν τραβήξετε ξανά το διακόπτη σκανδάλης.

• Χαμηλή τάση μπαταρίας:

Η υπόλοιπη χωρητικότητα μπαταρίας είναι πολύ χαμηλή και το εργαλείο δεν λειτουργεί. Σε αυτή την κατάσταση, αφαιρέστε και επαναφορτίστε την μπαταρία.

Προφυλακτήρας λάμας

Για όλες τις χώρες εκτός των Ερωπαϊκών (Εικ. 6)

Όταν χαμηλώνετε την λαβή, ο προφυλακτήρας λάμας ανυψώνεται αυτόματα. Ο προφυλακτήρας έχει ελατήρια ώστε να επιστρέφει στην αρχική του θέση όταν η κοπή έχει συμπληρωθεί και η λαβή έχει ανυψωθεί.

⚠ ΠΡΟΕΙΔΟΠΟΙΗΣΗ:

- **Ποτέ μην εξουδετερώνετε ή αφαιρέσετε τον προφυλακτήρα ή το ελατήριο που προσαρμόζεται στον προφυλακτήρα.** Ένας εκτεθειμένος δίσκος λόγω αχρήστασης του προφυλακτήρα ενδέχεται να καταλήξει σε σοβαρό τραυματισμό στη διάρκεια της λειτουργίας.

Γιά χάρη της προσωπικής σας ασφάλειας, πάντοτε διατηρείτε τον προφυλακτήρα λάμας σε καλή κατάσταση. Οποιαδήποτε αντικανονική εργασία του προφυλακτήρα πρέπει να διορθώνεται αμέσως. Ελέγξτε να βεβαιωθείτε για την δράση του ελατηρίου επαναφοράς του προφυλακτήρα.

⚠️ ΠΡΟΕΙΔΟΠΟΙΗΣΗ:

- **Ποτέ μην χρησιμοποιείτε το εργαλείο εάν ο προφυλακτήρας λάμας ή το ελατήριο έχουν πάθει ζημιά, βλάβη ή έχουν αφαιρεθεί.** Η λειτουργία του εργαλείου με προφυλακτήρα ο οποίος έχει υποστεί ζημιά, είναι ελαττωματικός ή έχει αφαιρεθεί ενδέχεται να καταλήξει σε σοβαρό τραυματισμό.

Για χώρες της Ευρώπης (Εικ. 7)

Όταν χαμηλώνετε τη λαβή, ο προφυλακτήρας λάμας Α ανυψώνεται αυτόματα. Ο προφυλακτήρας λάμας Β ανυψώνεται καθώς έρχεται σε επαφή με το τεμάχιο εργασίας. Οι προφυλακτήρες είναι εφοδιασμένοι με ελατήρια, έτσι επανέρχονται στην αρχική θέση τους όταν ολοκληρωθεί η τομή και ανυψωθεί η λαβή.

⚠️ ΠΡΟΕΙΔΟΠΟΙΗΣΗ:

- **Ποτέ μην εξουδετερώσετε ή αφαιρέσετε τον προφυλακτήρα λάμας ή το ελατήριο που προσαρμόζεται στον προφυλακτήρα.** Ένας εκτεθειμένος δίσκος λόγω αχρήστευσης του προφυλακτήρα ενδέχεται να καταλήξει σε σοβαρό τραυματισμό στη διάρκεια της λειτουργίας.

Για λόγους προσωπικής ασφάλειας, να διατηρείτε πάντα κάθε προφυλακτήρα λάμας σε καλή κατάσταση. Οποιαδήποτε αντικανονική λειτουργία των προφυλακτών λάμας πρέπει να διορθώνεται αμέσως. Ελέγξτε για να βεβαιωθείτε για την δράση επαναφοράς των εφοδιασμένων με ελατήρια προφυλακτών.

⚠️ ΠΡΟΕΙΔΟΠΟΙΗΣΗ:

- **Ποτέ μην χρησιμοποιείτε το εργαλείο εάν ο προφυλακτήρας λάμας ή το ελατήριο έχουν πάθει ζημιά, βλάβη ή έχουν αφαιρεθεί.** Η λειτουργία του εργαλείου με προφυλακτήρα ο οποίος έχει υποστεί ζημιά, είναι ελαττωματικός ή έχει αφαιρεθεί ενδέχεται να καταλήξει σε σοβαρό τραυματισμό.

Εάν συσσωρευτούν ακαθαρσίες στο διαφανή προφυλακτήρα δίσκου, ή έχει προσκολληθεί προνίδι ώστε να μην είναι πλέον ορατός ο δίσκος ή/και το τεμάχιο εργασίας, αφαιρέστε την κασέτα μπαταρίας και καθαρίστε τον προφυλακτήρα με προσοχή χρησιμοποιώντας ένα υγρό πανί.

Μην χρησιμοποιείτε διαλυτικά ή καθαριστικά με βάση το πετρέλαιο στον πλαστικό προφυλακτήρα επειδή αυτό ενδέχεται να προκαλέσει φθορά στον προφυλακτήρα.

Εάν ο προφυλακτήρας του δίσκου λερώσει και απαιτείται καθαρισμός του για σωστή λειτουργία, ακολουθήστε τα βήματα κατωτέρω:

Έχοντας απενεργοποιήσει το εργαλείο και αφαιρέσει την κασέτα μπαταρίας, χρησιμοποιήστε το παρεχόμενο εξαγωνικό κλειδί περικοκλίων για να ξεσφίξετε τον εξαγωνικό κοχλία συγκράτησης του κεντρικού καλύμματος. Χαλαρώστε το εξάγωνο μπουλόνι στρίβοντας το αριστερόστροφα και σηκώστε τον προφυλακτήρα λάμας και το κάλυμμα κέντρου. **(Εικ. 8)**

Με τον προφυλακτήρα λάμας στην θέση αυτή το καθάρισμα γίνεται καλύτερα και επαρκέστερα. Όταν ολοκληρωθεί το καθάρισμα, αντιστρέψτε την παραπάνω διαδικασία και ασφαλίστε το μπουλόνι. Μην αφαιρέσετε τον ελατηριούχο προφυλακτήρα λάμας. Εάν ο προφυλακτήρας υποστεί φθορά λόγω γήρανης ή έκθεσης σε ακτινοβολία UV, απευθυνθείτε σε κάποιο κέντρο σέρβις της Makita για νέο προφυλακτήρα.

ΜΗΝ ΕΞΟΥΔΕΤΕΡΩΣΕΤΕ Η ΑΦΑΙΡΕΣΕΤΕ ΤΟΝ ΠΡΟΦΥΛΑΚΤΗΡΑ.

Τοποθέτηση της σανίδας εγκοπής (Εικ. 9 και 10)

Αυτό το εργαλείο είναι εφωδιασμένο με τις σανίδες εγκοπών στην περιστροφική βάση του για να ελαχιστοποιεί το σχίσιμο στην πλευρά εξόδου κοπής. Οι σανίδες εγκοπών είναι εργοστασιακά ρυθμισμένες έτσι ώστε η λάμα προνιού δεν κάνει επαφή με τις σανίδες εγκοπών. Πριν από την χρήση, ρυθμίστε τις σανίδες εγκοπών ως εξής:

Πρώτα, φορτίστε την κασέτα μπαταρίας. Χαλαρώστε όλες τις βίδες (από 2 στα αριστερά και δεξιά) που ασφαλίζουν τις σανίδες εγκοπών. Ξανασφίχτε τις βίδες έτσι ώστε οι σανίδες εγκοπών να μπορούν να κινηθούν με το χέρι. Χαμηλώστε την λαβή πλήρως και σπρώχτε μέσα τον ανασταλτικό πείρο για να κλειδώσει τη λαβή στην κάτω θέση. Χαλαρώστε τις δύο βίδες σύσφιξης που ασφαλίζουν τις ράβδους ολίσθησης. Τραβήχτε την κινητή βάση πλως το μέρος σας πλήρως. Ρυθμίστε τις σανίδες εγκοπών έτσι ώστε μόλις να αγγίζουν τις πλευρές των δοντιών της λάμας. Σφίχτε τις εμπρόσθιες βίδες (μη τις σφίξετε πολύ). Σπρώχτε την κινητή βάση προς τον φράχτη οδηγό πλήρως και ρυθμίστε τις σανίδες εγκοπών έτσι ώστε μόλις να αγγίζουν τις πλευρές των δοντιών της λάμας. Σφίχτε τις πίσω βίδες βίδες (μη τις σφίξετε πολύ).

Μετά την ρύθμιση των σανίδων εγκοπών, ελευθερώστε τον ανασταλτικό πείρο και σηκώστε την λαβή. Μετά σφίχτε όλες τις βίδες με ασφάλεια.

ΑΝΑΚΟΙΝΩΣΗ:

- **Μόλις ρυθμίσετε τη γωνία φαλτσοκοπής, βεβαιωθείτε ότι οι σανίδες εγκοπής είναι ρυθμισμένες κατάλληλα.** Η σωστή ρύθμιση των πλακών σανίδων διευκολύνει τη κατάλληλη στήριξη του τεμαχίου εργασίας ελαχιστοποιώντας το σχίσιμο του τεμαχίου εργασίας.

Διατήρηση μέγιστης ικανότητας κοπής

(Εικ. 11 και 12)

Αυτό το εργαλείο είναι εργοστασιακά ρυθμισμένο για να παρέχει την μέγιστη ικανότητα κοπής για μία λάμα προνιού 190 χιλ.

Αφαιρέστε την κασέτα μπαταρίας πριν επιχειρήσετε οποιαδήποτε ρύθμιση. Όταν τοποθετείτε μία νέα λάμα, πάντοτε ελέγχετε την κάτω οριακή θέση της λάμας, και εάν είναι απαραίτητο, ρυθμίστε ως εξής:

Πρώτα, φορτίστε την κασέτα μπαταρίας. Τραβήχτε την κινητή βάση προς το φράχτη οδηγό πλήρως και χαμηλώστε εντελώς την λαβή. Χρησιμοποιήστε το εξαγωνικό κλειδί για να γυρίσετε το ρυθμιστικό μπουλόνι μέχρι η περιφέρεια της λάμας να εκτείνεται ελαφρά κάτω από την άνω επιφάνεια της περιστροφικής βάσης στο σημείο όπου η εμπρόσθια όψη του φράχτη οδηγού συναντά την άνω επιφάνεια της περιστροφικής βάσης.

Έχοντας αφαιρέσει την κασέτα μπαταρίας, περιστρέψτε τον δίσκο με το χέρι ενώ κρατάτε τη λαβή στην κάτω θέση για να βεβαιωθείτε ότι ο δίσκος δεν έρχεται σε επαφή με κανένα τμήμα της κάτω βάσης. Επαναρυθμίστε ελαφρά, εάν είναι απαραίτητο.

⚠️ ΠΡΟΕΙΔΟΠΟΙΗΣΗ:

- Μετά από την τοποθέτηση νέου δίσκου και με την κασέτα μπαταρίας αφαιρεμένη, φροντίζετε κάθε φορά ώστε ο δίσκος να μην έρχεται σε επαφή με οποδήποτε μέρος της κάτω βάσης όταν χαμηλώνετε πλήρως τη λαβή. Σε περίπτωση επαφής του δίσκου με τη βάση, ενδέχεται να προκληθεί ανάκρουση και σοβαρός τραυματισμός.

Ανασταλτικός βραχίονας (Εικ. 13)

Η θέση κάτω ορίου της λάμας μπορεί εύκολα να ρυθμιστεί με τον ανασταλτικό βραχίονα. Για την ρύθμισή του, μετακινείτε τον ανασταλτικό βραχίονα κατά την διεύθυνση του βέλους όπως φαίνεται στην εικόνα. Ρυθμίστε την ρυθμιστική βίδα έτσι ώστε η λάμα σταματά στην επιθυμητή θέση όταν η λαβή χαμηλώνεται εντελώς.

Βοηθητικός φράκτης (για τις ευρωπαϊκές χώρες μόνο) (Εικ. 14)

Το εργαλείο αυτό είναι εξοπλισμένο με βοηθητικό φράκτη. Ο βοηθητικός φράκτης συνήθως τοποθετείται στο εσωτερικό. Ωστόσο, όταν εκτελείτε αριστερές κωνικές τομές, αναστρέψτε τον προς τα έξω.

⚠️ ΠΡΟΣΟΧΗ:

- Όταν εκτελείτε αριστερές κωνικές τομές, αναστρέψτε το βοηθητικό φράκτη προς τα έξω. Διαφορετικά, θα έρθει σε επαφή με τη λάμα ή μέρος του εργαλείου, προκαλώντας σοβαρό τραυματισμό στο χειριστή.

Ρύθμιση της λοξής γωνίας (Εικ. 15)

Χαλαρώστε την λαβή στρίβοντας την αριστερόστροφα. Γυρίστε την περιστροφική βάση ενώ πιέζετε προς τα κάτω τον μοχλό ασφάλισης. Όταν έχετε μετακινήσει την λαβή στην θέση που ο δείκτης δείχνει την επιθυμητή γωνία στην λοξή κλίμακα, σφίχτε με ασφάλεια την λαβή δεξιόστροφα.

⚠️ ΠΡΟΣΟΧΗ:

- Αφού αλλάξετε την λοξή γωνία, πάντοτε ασφαλίστε την περιστροφική βάση σφίγγοντας την λαβή σταθερά.

ΑΝΑΚΟΙΝΩΣΗ:

- Όταν γυρίζετε την περιστροφική βάση, βεβαιώνετε ότι ανυψώνετε την λαβή εντελώς.

Ρύθμιση της κωνικής γωνίας (Εικ. 16 και 17)

Για να ρυθμίσετε την κωνική γωνία, χαλαρώστε τον μοχλό στο πίσω μέρος του εργαλείου αριστερόστροφα.

Σπρώχτε την λαβή στα αριστερά, να δώσετε κλίση στην λάμα πριν από το δείκτη δείχνει την επιθυμητή γωνία στην κωνική κλίμακα. Μετά σφίχτε τον μοχλό σταθερά δεξιόστροφα να ασφαλίσετε τον βραχίονα.

Για να δώσετε κλίση στην λαβή προς τα δεξιά, σπρώχτε το κουμπί ελευθέρωσης στο πίσω μέρος του εργαλείου ενώ κλίνετε την λαβή ελαφρά στα αριστερά αφού χαλαρώσετε τον μοχλό. Με το κουμπί ελευθέρωσης πατημένο, δώστε κλίση στην λάμα προς τα δεξιά.

⚠️ ΠΡΟΣΟΧΗ:

- Αφού αλλάξετε την κωνική γωνία, πάντοτε ασφαλίστε την περιστροφική βάση σφίγγοντας την λαβή σταθερά.

ΑΝΑΚΟΙΝΩΣΗ:

- Όταν δίνετε κλίση στο δίσκο, να φροντίζετε ώστε η λαβή να είναι πλήρως ανυψωμένη.
- Όταν αλλάζετε κωνικές γωνίες, βεβαιώνετε ότι τοποθετείτε τις σανίδες εγκοπών κατάλληλα όπως εξηγείται στο εδάφιο “Τοποθέτηση της σανίδας εγκοπής”.

Ρύθμιση της θέσης μοχλού (Εικ. 18)

Ο μοχλός μπορεί να επανατοποθετείται σε κάθε γωνία 30° όταν ο μοχλός δεν παρέχει πλήρες σφίξιμο.

Χαλαρώστε και αφαιρέστε την βίδα που ασφαρίζει τον μοχλό στο πίσω μέρος του εργαλείου. Αφαιρέστε τον μοχλό και τοποθετήστε τον πάλι έτσι ώστε είναι ελαφρά πάνω από το επίπεδο. Ασφαλίστε τον μοχλό με την βίδα σταθερά.

Δράση διακόπτη

Για χώρες της Ευρώπης (Εικ. 19)

Για να εμποδιστεί το τυχαίο τράβηγμα της σκανδάλης διακόπτη, υπάρχει ένα κουμπί κλειδώματος – off. Για να ενεργοποιήσετε το εργαλείο, πιέστε προς τα πάνω το μοχλό, πιέστε προς τα μέσα το κουμπί κλειδώματος και τραβήξτε τη σκανδάλη διακόπτη. Ελευθερώστε την σκανδάλη διακόπτη για να σταματήσει.

⚠️ ΠΡΟΕΙΔΟΠΟΙΗΣΗ:

- Πριν από την τοποθέτηση της κασέτας μπαταρίας στο εργαλείο, να ελέγχετε πάντα εάν η σκανδάλη ενεργοποίησης ενεργοποιεί το εργαλείο κανονικά και επιστρέφει στη θέση “OFF” (ανενεργό) όταν ελευθερώνεται. Μη τραβάτε την σκανδάλη διακόπτη δυνατά χωρίς να πατήσετε μέσα το κουμπί ασφάλισης – off. Αυτό μπορεί να προκαλέσει βλάβη του διακόπτη. Η λειτουργία ενός εργαλείου με διακόπτη ο οποίος δεν ενεργοποιείται κατάλληλα μπορεί να οδηγήσει σε απώλεια ελέγχου και σοβαρό τραυματισμό.

Παρέχεται οπή στη σκανδάλη ενεργοποίησης για την εισαγωγή λουκέτου, ώστε να επιτυγχάνεται κλειδώμα του εργαλείου.

Για όλες τις χώρες εκτός των Ευρωπαϊκών (Εικ. 20)

Για να εμποδιστεί το τυχαίο τράβηγμα της σκανδάλης διακόπτη, υπάρχει ένα κουμπί κλειδώματος – off. Για να ξεκινήσει το εργαλείο, πατήστε μέσα το κουμπί κλειδώματος – off και πατήστε την σκανδάλη διακόπτη. Ελευθερώστε την σκανδάλη διακόπτη για να σταματήσει.

⚠️ ΠΡΟΕΙΔΟΠΟΙΗΣΗ:

- Πριν από την τοποθέτηση της κασέτας μπαταρίας στο εργαλείο, να ελεγχεται πάντα εάν η σκανδάλη ενεργοποίησης ενεργοποιεί το εργαλείο κανονικά και επιστρέφει στη θέση "OFF" (ανενεργό) όταν ελευθερώνεται. Μη τραβάτε την σκανδάλη διακόπτη δυνατά χωρίς να πατήσετε μέσα το κουμπί απασφάλισης – off. Αυτό μπορεί να προκαλέσει βλάβη του διακόπτη. Η λειτουργία ενός εργαλείου με διακόπτη ο οποίος δεν ενεργοποιείται κατάλληλα μπορεί να οδηγήσει σε απώλεια ελέγχου και σοβαρό τραυματισμό.

Παρέχεται οπή στη σκανδάλη ενεργοποίησης για την εισαγωγή λουκέτου, ώστε να επιτυγχάνεται κλειδωμα του εργαλείου.

⚠️ ΠΡΟΕΙΔΟΠΟΙΗΣΗ:

- Μη χρησιμοποιείτε λουκέτο με στέλεχος ή συρματοσχοινίο διαμέτρου μικρότερου από **6,35 χιλ (1/4")**. Ένα μικρότερο στέλεχος ή καλώδιο ενδέχεται να μην ασφαλίζει κατάλληλα το εργαλείο στη θέση OFF και ενδέχεται να προκληθεί ανεπιθύμητη λειτουργία και πρόκληση σοβαρού τραυματισμού.
- **ΠΟΤΕ μη χρησιμοποιήσετε εργαλείο χωρίς πλήρως λειτουργική σκανδάλη διακόπτη.** Οποιοδήποτε εργαλείο με διακόπτη εκτός λειτουργίας είναι ΕΞΑΙΡΕΤΙΚΑ ΕΠΙΚΙΝΔΥΝΟ και απαιτείται επίσκεψή του πριν από περαιτέρω χρήση, διαφορετικά ενδέχεται να προκληθεί σοβαρός τραυματισμός.
- Για την ασφάλειά σας, αυτό το εργαλείο είναι εφοδιασμένο με ένα κουμπί απασφάλισης – off που εμποδίζει το εργαλείο να ξεκινήσει κατά λάθος. ΠΟΤΕ μη χρησιμοποιείτε το εργαλείο εάν λειτουργεί όταν απλώς πατάτε την σκανδάλη χωρίς να πατήσετε το κουμπί κλειδώματος – off. Διακόπτης ο οποίος απαιτεί επίσκεψή ενδέχεται να καταλήξει σε ανεπιθύμητη λειτουργία και την πρόκληση σοβαρού τραυματισμού. Επιστρέψτε το εργαλείο σε ένα κέντρο εξυπηρέτησης Makita για κατάλληλες επισκευές ΠΡΙΝ την περαιτέρω χρήση.
- Μην αχρηστεύετε ΠΟΤΕ το κουμπί κλειδώματος – off χρησιμοποιώντας αυτοκόλλητη ταινία ή με άλλο τρόπο. Διακόπτης με αχρηστευμένο κουμπί κλειδώματος – off ενδέχεται να καταλήξει σε ανεπιθύμητη λειτουργία και την πρόκληση σοβαρού τραυματισμού.

ΣΥΝΑΡΜΟΛΟΓΗΣΗ

⚠️ ΠΡΟΕΙΔΟΠΟΙΗΣΗ:

- Πάντοτε βεβαιώνετε ότι το εργαλείο είναι σβηστό και η κασέτα μπαταρίας έχει αφαιρεθεί πριν εργαστείτε με το εργαλείο. Η μη απενεργοποίηση και αφαίρεση της κασέτας μπαταρίας ενδέχεται να καταλήξει σε σοβαρό τραυματισμό.

Αποθήκευση εξαγωνικού κλειδιού (Εικ. 21)

Το εξαγωνικό κλειδί περικοχλίων φυλάσσεται όπως υποδεικνύεται στην εικόνα.

Όταν απαιτείται το εξαγωνικό κλειδί περικοχλίων, μπορείτε να το αποσπάσετε από την υποδοχή συγκράτησης κλειδιού.

Μετά από τη χρήση, μπορείτε να φυλάξετε το εξαγωνικό κλειδί περικοχλίων τοποθετώντας το ξανά στην υποδοχή συγκράτησης.

Τοποθέτηση ή αφαίρεση της λάμας πριονιού

⚠️ ΠΡΟΕΙΔΟΠΟΙΗΣΗ:

- Να φροντίζετε πάντα ώστε το εργαλείο να έχει απενεργοποιηθεί και η κασέτα μπαταρίας να έχει αφαιρεθεί πριν από την τοποθέτηση ή αφαίρεση του δίσκου. Η τυχαία εκκίνηση του εργαλείου ενδέχεται να καταλήξει σε σοβαρό τραυματισμό.

⚠️ ΠΡΟΣΟΧΗ:

- Χρησιμοποιείτε μόνο το παρεχόμενο εξαγωνικό κλειδί Makita για να τοποθετήσετε ή αφαιρέσετε την λάμα. Διαφορετικά μπορεί να προκληθεί υπερβολικό ή ανεπαρκές σφίξιμο του εξαγωνίου μπουλονιού. Πράγμα που μπορεί να προκαλέσει τραυματισμό.

Κλειδώστε την λαβή στην ανασηκωμένη θέση σπρώχνοντας μέσα τον ανασταλτικό πείρο. (Εικ. 22)

Για να αφαιρέσετε την λάμα, χρησιμοποιήστε το εξαγωνικό κλειδί για να χαλαρώσετε το εξαγωνικό μπουλόνι που κρατάει το κάλυμμα κέντρου γυρίζοντας το αριστερόστροφα. Σηκώστε τον προφυλακτήρα λάμας και το κάλυμμα κέντρου. (Εικ. 23)

Πατήστε την ασφάλιση άξονα για να κλειδώσετε τον αξονίσκο και χρησιμοποιήστε το εξαγωνικό κλειδί για να χαλαρώσετε το εξαγωνικό μπουλόνι δεξιόστροφα. Μετά αφαιρέστε το εξαγωνικό μπουλόνι, εξωτερική φλάντζα και λάμα. (Εικ. 24)

ΣΗΜΕΙΩΣΗ:

- Όταν το εσωτερικό πέλαμα αφαιρεθεί, φροντίστε να το εγκαταστήσετε πάνω στον άξονα μετάδοσης κίνησης, ώστε η προεξοχή του να μην είναι στραμμένη προς το δίσκο. Σε περίπτωση εσφαλμένης τοποθέτησης του πέλαματος, αυτό θα τρίβεται πάνω στο μηχανήμα.

Για να τοποθετήσετε την λάμα, βάλτε την προσεκτικά πάνω στον αξονίσκο, κάνοντας βέβαιο ότι η διεύθυνση του βέλους στην επιφάνεια της λάμας συμπίπτει με την διεύθυνση του βέλους στην θήκη της λάμας. Τοποθετήστε την εξωτερική φλάντζα και εξαγωνικό μπουλόνι και μετά χρησιμοποιήστε το εξαγωνικό κλειδί να σφίξετε το εξαγωνικό μπουλόνι (αριστερόχειρο) με ασφάλεια αριστερόστροφα ενώ πιέζετε την ασφάλεια άξονα.

Επαναφέρετε τον προφυλακτήρα λάμας και κάλυμμα κέντρου στην αρχική τους θέση. Μετά σφίχτε το εξαγωνικό μπουλόνι δεξιόστροφα να ασφαλίσετε το κάλυμμα κέντρου. Ελευθερώστε την λαβή από την ανασηκωμένη θέση τραβώντας τον ανασταλτικό πείρο. Χαμηλώστε την λαβή να κάνετε βέβαιο ότι ο προφυλακτήρας λάμας κινείται κατάλληλα. Βεβαιωθείτε ότι η ασφάλιση άξονα έχει ελευθερώσει τον αξονίσκο πριν κάνετε την κοπή. (Εικ. 25 και 26)

Σάκος σκόνης (εξάρτημα) (Εικ. 27)

Για να προσαρμόσετε τον συνδετήρα στερέωσης, ευθυγραμμίστε το άνω άκρο του συνδετήρα με την τριγωνική ένδειξη στον σάκο σκόνης.

Η χρήση του σάκου σκόνης διευκολύνει την εκτέλεση των εργασιών κοπής με καθαριότητα όπως και τη συλλογή σκόνης. Για να προσαρμόσετε τον σάκο σκόνης, εφαρμόστε τον πάνω στο στόμιο σκόνης.

Όταν ο σάκος σκόνης είναι περίπου μισογεμάτος, αφαιρέστε τον από το εργαλείο και τραβήχτε τον προσδετήρα έξω. Αδειάστε τον σάκο σκόνης από τα περιεχόμενά του, χτυπήστε τον ελαφρά έτσι ώστε να αφαιρεθούν τα σωματίδια που είναι κολλημένα από μέσα και μπορεί να εμποδίζουν την περαιτέρω συλλογή.

ΣΗΜΕΙΩΣΗ:

- Εάν συνδέσετε μιά ηλεκτρική σκούπα στο πριόνι σας, πιο και καθαρές εργασίες μπορεί να εκτελεστούν.

Ασφάλιση του τεμαχίου εργασίας (Εικ. 28)

⚠ ΠΡΟΕΙΔΟΠΟΙΗΣΗ:

- Είναι εξαιρετικά σημαντικό να ασφαρίζετε πάντα το τεμάχιο εργασίας σωστά με μέγγην κατάλληλου τύπου. Η μη συμμόρφωση ενδέχεται να καταλήξει σε σοβαρό τραυματισμό και να προκαλέσει ζημιά στο εργαλείο ή/και στο τεμάχιο εργασίας.
- Μετά το πέρας της λειτουργίας κοπής μην ανυψώσετε το δίσκο εάν δεν έχει ακινητοποιηθεί πλήρως. Η ανύψωση ενός δίσκου που συνεχίζει να περιστρέφεται εξ αδρανείας ενδέχεται να καταλήξει σε σοβαρό τραυματισμό και την πρόκληση ζημιάς στο τεμάχιο εργασίας.
- Κατά την κοπή τεμαχίου εργασίας με μήκος μεγαλύτερο από εκείνο της βάσης στήριξης του δισκοπριόνου, απαιτείται στήριξη ολοκλήρου του μήκους πέραν του άκρου της βάσης στήριξης και στο ίδιο ύψος ώστε το υλικό να παραμένει σε οριζόντια θέση. Η κατάλληλη στήριξη του τεμαχίου εργασίας διευκολύνει στο να αποτρέπεται η σύσφιξη του δίσκου και ενδεχόμενη ανάκρουση που ενδέχεται να καταλήξει σε πρόκληση σοβαρού τραυματισμού. Μη βασίζεστε αποκλειστικά στην κάθετη και/ ή οριζόντια μέγγην για να ασφαλίσετε το αντικείμενο εργασίας. Λεπτά υλικά έχουν τάση να λυγίζουν. Υποστηρίξτε το αντικείμενο εργασίας καθόλο το μήκος του για να αποφύγετε τσίππημα της λάμας και πιθανή ΟΠΙΣΘΟΔΡΟΜΗΣΗ.

Κατακόρυφη μέγγην (Εικ. 29)

Η κατακόρυφη μέγγην μπορεί να τοποθετηθεί σε δύο θέσεις στα αριστερά ή στα δεξιά του φράχτη οδηγού ή του συνόλου θήκης (προαιρετικό εξάρτημα). Βάλτε την ράβδο μέγγην μέσα στην τρύπα του οδηγού φράχτη ή του συνόλου θήκης και σφίχτε τις βίδες να ασφαλίσετε την ράβδο μέγγην.

Τοποθετήστε τον βραχίονα της μέγγην σύμφωνα με το πάχος και το σχήμα του τεμαχίου εργασίας και ασφαλίστε τον βραχίονα της μέγγην σφίγγοντας την βίδα. Εάν η βίδα που ασφαρίζει τον βραχίονα της μέγγην αγγίζει τον φράχτη οδηγό, τοποθετήστε την βίδα στην επάναντι πλευρά του βραχίονα της μέγγην. Βεβαιωθείτε ότι κανένα μέρος του εργαλείου δεν κάνει επαφή με την μέγγην όταν χαμηλώνετε την λαβή εντελώς και σπρώχνετε ή τραβάτε την κινητή βάση σε όλη την διαδρομή της. Εάν κάποιο μέρος κάνει επαφή, επανατοποθετήστε την μέγγην.

Πιέστε το τεμάχιο εργασίας επίπεδα επί του φράχτη οδηγού και της περιστροφικής βάσης. Τοποθετήστε το τεμάχιο εργασίας στην επιθυμητή θέση κοπής και ασφαλίστε το σταθερά σφίγγοντας το κουμπί της μέγγην.

⚠ ΠΡΟΕΙΔΟΠΟΙΗΣΗ:

- Το αντικείμενο εργασίας πρέπει να ασφαρίζεται σταθερά στην περιστροφική βάση και στον φράχτη οδηγό με την μέγγην κατά την διάρκεια όλων των εργασιών. Σε περίπτωση ακατάλληλης ασφάλισης του τεμαχίου εργασίας πάνω στο φράχτη, το υλικό ενδέχεται να μετακινηθεί στη διάρκεια της εργασίας κοπής προκαλώντας ενδεχομένως ζημιά στο δίσκο, εκτίναξη ή του υλικού και απώλεια ελέγχου με αποτέλεσμα την πρόκληση σοβαρού τραυματισμού.

Οριζόντια μέγγην (προαιρετικό εξάρτημα)

(Εικ. 30)

Η οριζόντια μέγγην μπορεί να τοποθετηθεί στην αριστερή πλευρά της βάσης. Γυρίζοντας το κουμπί της μέγγην αριστερόστροφα, η βίδα ελευθερώνεται και ο άξονας της μέγγην μπορεί να μετακινηθεί γρήγορα μέσα και έξω. Γυρίζοντας το κουμπί της μέγγην δεξιόστροφα, η βίδα παραμένει ασφαλισμένη. Για να πιέσετε το τεμάχιο εργασίας, γυρίστε το κουμπί της μέγγην απαλά δεξιόστροφα μέχρι η προβολή να φθάσει στην υψηλότερη θέση, μετά στερεώστε με ασφάλεια. Εάν το κουμπί της βίδας της μέγγην σπρωχθεί μέσα ή τραβηχθεί έξω ενώ περιστρέφεται δεξιόστροφα, η προβολή θα σταματήσει σε κάποια γωνία. Στην περίπτωση αυτή γυρίστε το κουμπί της μέγγην πίσω αριστερόστροφα μέχρι να ελευθερωθεί η βίδα, πριν το γυρίσετε πάλι απαλά δεξιόστροφα. Το μέγιστο πλάτος του τεμαχίου εργασίας το οποίο μπορεί να ασφαλιστεί με την οριζόντια μέγγην είναι 120 χιλ.

⚠ ΠΡΟΕΙΔΟΠΟΙΗΣΗ:

- Πιέστε το τεμάχιο εργασίας μόνο όταν η προβολή είναι στην υψηλότερη θέση. Αμέλεια να το κάνετε θα έχει ως αποτέλεσμα ανεπαρκή ασφάλεια του τεμαχίου εργασίας. Αυτό μπορεί να προκαλέσει την εκτόξευση του τεμαχίου εργασίας, ζημιά στην λάμα ή να προκαλέσει την απώλεια ελέγχου, που μπορεί να έχει ως αποτέλεσμα ΠΡΟΣΩΠΙΚΟ ΤΡΑΥΜΑΤΙΣΜΟ.

Θήκες και το σύνολο θήκης (προαιρετικό

εξάρτημα) (Εικ. 31 και 32)

Οι θήκες και το σύνολο θήκης μπορούν να τοποθετηθούν σε οποιαδήποτε πλευρά ως ένα βολικό μέσο υποστήριξης τεμαχίων εργασίας οριζόντια. Τοποθετήστε τα όπως φαίνεται στην εικόνα. Μετά σφίχτε τις βίδες σταθερά να ασφαλίσετε τις θήκες και το σύνολο θήκης.

Όταν κόβετε μακρά τεμάχια εργασίας, χρησιμοποιείτε το σύνολο θήκης ράβδου (προαιρετικό εξάρτημα). Αυτό αποτελείται από δύο σύνολα θήκης και δύο ράβδους 12.

⚠️ ΠΡΟΕΙΔΟΠΟΙΗΣΗ:

- Να φροντίζετε πάντα για τη στήριξη ενός τεμαχίου εργασίας μεγάλου μήκους, ώστε να παραμένει σε οριζόντια θέση στην άνω επιφάνεια της περιστροφικής βάσης για να επιτυγχάνεται κοπή με ακρίβεια και να αποτρέπεται επικίνδυνη απώλεια ελέγχου του εργαλείου. Η κατάλληλη στήριξη του τεμαχίου εργασίας διευκολύνει στο να αποτρέπεται η σύσφιξη του δίσκου και ενδεχόμενη ανάκρουση που ενδέχεται να καταλήξει σε πρόκληση σοβαρού τραυματισμού.

ΛΕΙΤΟΥΡΓΙΑ

ΑΝΑΚΟΙΝΩΣΗ:

- Πριν από την χρήση, βεβαιώνεστε ότι ελευθερώνετε την λαβή από την χαμηλωμένη θέση σπρώχνοντας τον ανασταλτικό πείρο.
- Μην εφαρμόζετε υπερβολική πίεση στην λαβή όταν κόβετε. Υπερβολική δύναμη μπορεί να έχει ως αποτέλεσμα υπερφόρτωση του κινητήρα και/ή μειωμένη επάρκεια κοπής. Πιέστε την λαβή μόνο με όση δύναμη είναι απαραίτητη για απαλή κοπή και χωρίς σημαντική μείωση στην ταχύτητα της λάμας.
- Πιέστε προς τα κάτω απαλά την λαβή για να εκτελέσετε την κοπή. Εάν η λαβή πιεστεί κάτω με δύναμη ή εάν πλευρική δύναμη εφαρμοστεί, η λάμα θα δονείται και θα αφήσει κάποιο σημάδι (σημάδι πριονιού) στο τεμάχιο εργασίας και η ακρίβεια της κοπής θα ελαττωθεί.
- Κατά την διάρκεια ολισθητικής κοπής, σπρώχτε απαλά την κινούμενη βάση προς τον φράχτη οδηγό χωρίς να σταματήσετε. Εάν η κίνηση της κινητής βάσης διακοπεί κατά την κοπή, ένα σημάδι θα μείνει στο τεμάχιο εργασίας και η ακρίβεια της κοπής θα ελαττωθεί.

⚠️ ΠΡΟΕΙΔΟΠΟΙΗΣΗ:

- Πριν από την χρήση, βεβαιώνεστε ότι έχετε ελευθερώσει την λαβή από την χαμηλωμένη θέση τραβώντας τον ανασταλτικό πείρο. Η ενεργοποίηση του εργαλείου όταν ο δίσκος είναι σε επαφή με το τεμάχιο εργασίας ενδέχεται να καταλήξει σε ανάκρουση και την πρόκληση σοβαρού τραυματισμού.

1. Κοπή πίεσης (κοπή μικρών τεμαχίων εργασίας) (Εικ. 33)

Τεμάχια εργασίας μέχρι ύψους 52 χιλ και πλάτους 97 χιλ μπορούν να κοπούν με τον ακόλουθο τρόπο. Σπρώχτε την κινητή βάση προς τον φράχτη οδηγό και σφίξτε τις δύο βίδες σύσφιξης που ασφαλίζουν τους στύλους ολισθησης δεξιόστροφα για να ασφαλίσουν την κινητή βάση. Ασφαλίστε το τεμάχιο εργασίας με μέγερνη κατάλληλου τύπου. Ανάψτε το εργαλείο χωρίς η λάμα να κάνει καμιά επαφή και περιμένετε μέχρι η λάμα να αποκτήσει πλήρη ταχύτητα πριν την χαμηλώσετε. Μετά χαμηλώστε απαλά την λαβή στην κατώτερη δυνατή θέση για να κόψετε το τεμάχιο εργασίας. Όταν η κοπή έχει ολοκληρωθεί, σβήστε το εργαλείο και ΠΕΡΙΜΕΝΕΤΕ ΜΕΧΡΙ Η ΛΑΜΑ ΝΑ ΣΤΑΜΑΤΗΣΗ ΤΕΛΕΙΩΣ πριν επαναφέρετε την λάμα στην πλήρως ανασηκωμένη θέση της.

⚠️ ΠΡΟΕΙΔΟΠΟΙΗΣΗ:

- Σφίξτε καλά τις δύο βίδες σύσφιξης οι οποίες ασφαλίζουν τους στύλους ολισθησης γυρίζοντας δεξιόστροφα, ώστε να μην είναι εφικτή η μετακίνηση της κινητής βάσης στη διάρκεια της εργασίας. Τυχόν ανεπαρκές σφίξιμο του κοχλία ασφάλισης ενδέχεται να προκαλέσει ανάκρουση με αποτέλεσμα σοβαρό τραυματισμό.

2. Κοπή ολισθησης (ώθησης) (κοπή τεμαχίων εργασίας μεγάλου πλάτους) (Εικ. 34)

Χαλαρώστε τις δύο βίδες σύσφιξης που ασφαλίζουν τους ολισθητικούς στύλους αριστερόστροφα έτσι ώστε η κινητή βάση μπορεί να ολισθαίνει ελεύθερα. Ασφαλίστε το τεμάχιο εργασίας με μέγερνη κατάλληλου τύπου. Τραβήχτε την κινητή βάση προς το μέρος σας πλήρως. Ανάψτε το εργαλείο χωρίς η λάμα να κάνει καμιά επαφή και περιμένετε μέχρι η λάμα να αποκτήσει πλήρη ταχύτητα. Πιέστε κάτω την λαβή και ΣΠΡΩΧΤΕ ΤΗ ΚΙΝΗΤΗ ΒΑΣΗ ΠΡΟΣ ΤΟΝ ΦΡΑΧΤΗ ΟΔΗΓΟ ΚΑΙ ΔΙΑ ΜΕΣΟΥ ΤΟΥ ΤΕΜΑΧΙΟΥ ΕΡΓΑΣΙΑΣ. Όταν η κοπή έχει ολοκληρωθεί, σβήστε το εργαλείο και ΠΕΡΙΜΕΝΕΤΕ ΜΕΧΡΙ Η ΛΑΜΑ ΝΑ ΣΤΑΜΑΤΗΣΗ ΤΕΛΕΙΩΣ πριν επαναφέρετε την λάμα στην πλήρως ανασηκωμένη θέση της.

⚠️ ΠΡΟΕΙΔΟΠΟΙΗΣΗ:

- Κάθε φορά που εκτελείτε ολισθητική κοπή, τραβήξτε πρώτα την κινητή βάση προς το μέρος σας και πιέστε τη λαβή πλήρως προς τα κάτω, στη συνέχεια ώθηστε την κινητή βάση προς το φράχτη οδηγό. Μην αρχίζετε ποτέ την κοπή, εάν δεν έχετε τραβήξει πλήρως την κινητή βάση προς το μέρος σας. Εάν εκτελέσετε την ολισθητική κοπή χωρίς να έχετε τραβήξει την κινητή βάση πλήρως προς το μέρος σας, ενδέχεται να προκληθεί μη αναμενόμενη ανάκρουση και κατά συνέπεια σοβαρός τραυματισμός.
- Μην επιχειρήσετε ποτέ να εκτελέσετε ολισθητική κοπή τραβώντας την κινητή βάση προς το μέρος σας. Εάν τραβήξετε την κινητή βάση προς το μέρος σας στη διάρκεια της κοπής, ενδέχεται να προκληθεί μη αναμενόμενη ανάκρουση με αποτέλεσμα σοβαρό τραυματισμό.
- Ποτέ μην εκτελείτε την ολισθητική κοπή με την λαβή κλειδωμένη στην χαμηλωμένη θέση.
- Ποτέ μη χαλαρώνετε το κουμπί το οποίο ασφαλίζει την κινητή βάση ενώ η λάμα περιστρέφεται. Αυτό μπορεί να προκαλέσει σοβαρό τραυματισμό. Εάν η κινητή βάση δεν είναι σταθερά ασφαλισμένη στη διάρκεια της κοπής, ενδέχεται να προκληθεί μη αναμενόμενη ανάκρουση με αποτέλεσμα σοβαρό τραυματισμό.

3. Λοξή κοπή

Ανατρέξτε στο προηγούμενο εδάφιο "Ρύθμιση της λοξής γωνίας".

4. Κωνική κοπή (Εικ. 35)

Χαλαρώστε τον μοχλό και κλίνετε την λάμα πριονιού να ρυθμίσετε την κωνική γωνία (Ανατρέξτε στο προηγούμενο εδάφιο “Ρύθμιση της κωνικής γωνίας”). Βεβαιώνεστε ότι ξανασφίγγετε τον μοχλό σταθερά να ασφαλίσετε την επιλεχθείσα κωνική γωνία με ασφάλεια. Ασφαλίστε το τεμάχιο εργασίας με μία μέγγενη. Βεβαιωθείτε ότι η κινητή βάση έχει τραβηχθεί εντελώς προς τον χειριστή. Ανάψτε το εργαλείο χωρίς η λάμα να κάνει καμιά επαφή και περιμένετε μέχρι η λάμα να αποκτήσει πλήρη ταχύτητα. Μετά χαμηλώστε απαλά την λαβή στην καλύτερη δυνατή θέση ενώ εφαρμόζετε πίεση παράλληλα με την λάμα και ΣΠΡΟΧΤΕ ΤΗΝ ΚΙΝΗΤΗ ΒΑΣΗ ΠΡΟΣ ΤΟΝ ΦΡΑΧΤΗ ΟΔΗΓΟ ΓΙΑ ΝΑ ΚΟΨΕΤΕ ΤΟ ΤΕΜΑΧΙΟ ΕΡΓΑΣΙΑΣ. Όταν η κοπή έχει ολοκληρωθεί, σβήστε το εργαλείο και ΠΕΡΙΜΕΝΕΤΕ ΜΕΧΡΙ Η ΛΑΜΑ ΝΑ ΣΤΑΜΑΤΗΣΗ ΤΕΛΕΙΩΣ πριν επαναφέρετε την λάμα στην πλήρως ανασηκωμένη θέση της.

⚠ ΠΡΟΕΙΔΟΠΟΙΗΣΗ:

- **Μόλις ρυθμίσετε το δίσκο για φαλτοσκοπή, πριν από την εκκίνηση του εργαλείου, βεβαιωθείτε ότι η κινητή βάση και ο δίσκος μπορούν να κινηθούν ελεύθερα σε όλο το εύρος της προοριζόμενης κοπής.** Τυχόν παρεμπόδιση της διαδρομής της κινητής βάσης ή του δίσκου κατά την εργασία κοπής ενδέχεται να καταλήξει σε ανάκρουση και σοβαρό τραυματισμό.
- **Όταν εκτελείτε φαλτοσκοπή, φροντίστε ώστε να χέρι σας να μην βρίσκονται στη διαδρομή του δίσκου.** Η γωνία του δίσκου ενδέχεται να προκαλέσει αβεβαιότητα στο χειριστή όσον αφορά την πραγματική διαδρομή του δίσκου κατά την κοπή και οποιαδήποτε επαφή με το δίσκο θα προκαλέσει σοβαρό τραυματισμό.
- **Απαγορεύεται η ανύψωση του δίσκου, εάν δεν ακινητοποιηθεί πρώτα ο δίσκος.** Κατά την εκτέλεση φαλτοσκοπής το τεμάχιο που αποκόπεται ενδέχεται να έλθει σε επαφή με το δίσκο. Εάν ο δίσκος ανυψωθεί ενώ ακόμη περιστρέφεται, το τεμάχιο που έχει αποκοπεί ενδέχεται να εκτιναχθεί κατά την επαφή με το δίσκο προκαλώντας διάλυση του τεμαχίου σε θραύσματα τα οποία ενδέχεται να προκαλέσουν σοβαρό τραυματισμό.

ΑΝΑΚΟΙΝΩΣΗ:

- Όταν πατάτε κάτω τη χειρολαβή, εφαρμόστε πίεση παράλληλα της λάμας. Αν μια δύναμη εφαρμοστεί κάθετα στην περιστροφική βάση ή αν η διεύθυνση της πίεσης αλλάξει κατά την διάρκεια της κοπής, η ακρίβεια της κοπής θα ελαττωθεί.

⚠ ΠΡΟΣΟΧΗ:

- (Μόνο για ευρωπαϊκές χώρες) Να τοποθετείτε το βοηθητικό φράκτη προς τα έξω όταν εκτελείται αριστερές κωνικές τομές.

5. Σύνθετη κοπή

Σύνθετη κοπή είναι η διαδικασία κατά την οποία μία κωνική γωνία γίνεται την ίδια στιγμή που μία λοξή γωνία κόβεται σε ένα τεμάχιο εργασίας. Σύνθετη κοπή μπορεί να εκτελεσθεί στην γωνία που φαίνεται στον πίνακα.

Λοξή γωνία	Κωνική γωνία
Αρ. και Δεξ. 45°	Αρ. 0° – 45°
Δεξ. 50°	Αρ. 0° – 40°
Δεξ. 55°	Αρ. 0° – 30°
Δεξ. 57°	Αρ. 0° – 25°

006393

Όταν εκτελείτε σύνθετη κοπή, ανατρέξτε στις εξηγήσεις των εδαφίων “Κοπή πίεσης”, “Κοπή ολίσθησης”, “Λοξή κοπή” και “Κωνική κοπή”.

6. Κοπή ανάγλυφων μορφώσεων στέψης και μορφώσεων κοιλωτής μαρκίζας

Η κοπή ανάγλυφων μορφώσεων στέψης και μορφώσεων κοιλωτής μαρκίζας είναι εφικτή με δισκοπρίνο σύνθετης λοξοτομής με τις μορφώσεις τοποθετημένες σε επίπεδη θέση πάνω στην περιστροφική βάση.

Υπάρχουν δύο συνήθεις τύποι ανάγλυφων μορφώσεων στέψης και ένας τύπος μόρφωσης κοιλωτής μαρκίζας, μόρφωση στέψης υπό γωνία 52/38° προς τον τοίχο, μόρφωση στέψης υπό γωνία 45° προς τον τοίχο και μόρφωση κοιλωτής μαρκίζας υπό γωνία 45° προς τον τοίχο. Ανατρέξτε στις εικόνες. (Εικ. 36)

Υπάρχουν ενώσεις μορφώσεων στέψης και κοιλωτής μαρκίζας που προορίζονται για τοποθέτηση σε “Εσωτερικές” γωνίες τοίχου 90° ((1) και (2) στις Εικ. 37 και 38) και σε “Εξωτερικές” γωνίες τοίχου 90° ((3) και (4) στις Εικ. 37 και 38).

Μέτρηση

Μετρήστε το μήκος του τοίχου και τοποθετήστε το τεμάχιο εργασίας με ακρίβεια πάνω στο τραπέζι, ώστε να κόψετε το άκρο που εφάπτεται στον τοίχο στο κατάλληλο μήκος. Να φροντίζετε πάντα ώστε το μήκος του τεμαχίου εργασίας, που κόβετε, **στην πίσω πλευρά του τεμαχίου να είναι ίδιο με το μήκος του τοίχου**. Ρυθμίστε το μήκος κοπής για τη γωνία κοπής. Να χρησιμοποιείτε πάντα αρκετά τεμάχια δοκιμής της κοπής, ώστε να ελέγχετε τις γωνίες του δισκοπριονιού.

Κατά την εκτέλεση εργασιών κοπής ανάγλυφων μορφώσεων στέψης και μορφώσεων κοιλωτής μαρκίζας, καθορίστε τη γωνία φαλτσοκοπής και τη γωνία λοξοτομής όπως υποδεικνύεται στον πίνακα (Α) και τοποθετήστε τις μορφώσεις στην πάνω επιφάνεια της βάσης της λάμας πριονιού όπως υποδεικνύεται στον πίνακα (Β).

Στην περίπτωση αριστερής φαλτσοκοπής

Πίνακας (Α)

	Θέση μόρφωσης στην Εικ. 37 και 38	Γωνία φαλτσοκοπής		Γωνία λοξοτομής	
		Τύπος 52/38°	Τύπος 45°	Τύπος 52/38°	Τύπος 45°
Για εσωτερική γωνία τοίχου	(1)	Αριστερά 33,9°	Αριστερά 30°	Δεξιά 31,6°	Δεξιά 35,3°
	(2)			Αριστερά 31,6°	Αριστερά 35,3°
Για εξωτερική γωνία τοίχου	(3)			Δεξιά 31,6°	Δεξιά 35,3°
	(4)			Δεξιά 31,6°	Δεξιά 35,3°

006361

Πίνακας (Β)

	Θέση μόρφωσης στην Εικ. 37 και 38	Το άκρο μόρφωσης εφάπτεται στο φράχτη οδηγό	Ολοκληρωμένο τεμάχιο
Για εσωτερική γωνία τοίχου	(1)	Το άκρο επαφής στο ταβάνι θα πρέπει να εφάπτεται στο φράχτη οδηγό.	Το ολοκληρωμένο τεμάχιο θα βρίσκεται στην Αριστερή πλευρά της λάμας.
	(2)	Το άκρο επαφής στον τοίχο θα πρέπει να εφάπτεται στο φράχτη οδηγό.	
Για εξωτερική γωνία τοίχου	(3)	Το άκρο επαφής στο ταβάνι θα πρέπει να εφάπτεται στο φράχτη οδηγό.	Το ολοκληρωμένο τεμάχιο θα βρίσκεται στη Δεξιά πλευρά της λάμας.
	(4)		

006362

Παράδειγμα:

Στην περίπτωση κοπής ανάγλυφης μόρφωσης στέψης τύπου 52/38° για τη θέση (1) στην **Εικ. 37 και 38**:

- Δώστε κλίση και ασφαλίστε τη ρύθμιση της γωνίας φαλτσοκοπής σε 33,9° ΑΡΙΣΤΕΡΑ.
- Ρυθμίστε και ασφαλίστε τη γωνία λοξοτομής σε 31,6° ΔΕΞΙΑ.
- Τοποθετήστε την ανάγλυφη μόρφωση στέψης, ώστε η πλατιά πίσω επιφάνειά της (δεν φαίνεται) να εφάπτεται στην περιστροφική βάση και το ΑΚΡΟ ΕΠΑΦΗΣ ΣΤΟ ΤΑΒΑΝΙ να εφάπτεται στο φράχτη οδηγό του πριονιού.
- Το ολοκληρωμένο τεμάχιο προς χρήση θα βρίσκεται πάντα στην ΑΡΙΣΤΕΡΗ πλευρά του δίσκου μετά το πέρας της κοπής.

Στην περίπτωση δεξιάς φαλτσοκοπής

Πίνακας (Α)

	Θέση μόρφωσης στην Εικ. 37 και 38	Γωνία φαλτσοκοπής		Γωνία λοξοτομής	
		Τύπος 52/38°	Τύπος 45°	Τύπος 52/38°	Τύπος 45°
Για εσωτερική γωνία τοίχου	(1)	Δεξιά 33,9°	Δεξιά 30°	Δεξιά 31,6°	Δεξιά 35,3°
	(2)			Αριστερά 31,6°	Αριστερά 35,3°
Για εξωτερική γωνία τοίχου	(3)			Δεξιά 31,6°	Δεξιά 35,3°
	(4)			Δεξιά 31,6°	Δεξιά 35,3°

006363

Πίνακας (B)

	Θέση μόρφωσης στην Εικ. 37 και 38	Το άκρο μόρφωσης εφάπτεται στο φράχτη οδηγό	Ολοκληρωμένο τεμάχιο
Για εσωτερική γωνία τοίχου	(1)	Το άκρο επαφής στον τοίχο θα πρέπει να εφάπτεται στο φράχτη οδηγό.	Το ολοκληρωμένο τεμάχιο θα βρίσκεται στη Δεξιά πλευρά της λάμας.
	(2)	Το άκρο επαφής στο ταβάνι θα πρέπει να εφάπτεται στο φράχτη οδηγό.	
Για εξωτερική γωνία τοίχου	(3)	Το άκρο επαφής στον τοίχο θα πρέπει να εφάπτεται στο φράχτη οδηγό.	Το ολοκληρωμένο τεμάχιο θα βρίσκεται στην Αριστερή πλευρά της λάμας.
	(4)		

006364

Παράδειγμα:

Στην περίπτωση κοπής ανάγλυφης μόρφωσης στέψης τύπου 52/38° για τη θέση (1) στην **Εικ. 37 και 38**:

- Δώστε κλίση και ασφαλίστε τη ρύθμιση της γωνίας φάλτσοκοπής σε 33,9° ΔΕΞΙΑ.
- Ρυθμίστε και ασφαλίστε τη γωνία λοξοτομής σε 31,6° ΔΕΞΙΑ.
- Τοποθετήστε την ανάγλυφη μόρφωση στέψης, ώστε η πλατιά πίσω επιφάνειά της (δεν φαίνεται) να εφάπτεται στην περιστροφική βάση και το ΑΚΡΟ ΕΠΑΦΗΣ ΣΤΟΝ ΤΟΙΧΟ να εφάπτεται στο φράχτη οδηγό του πριονιού.
- Το ολοκληρωμένο τεμάχιο προς χρήση θα βρίσκεται πάντα στη ΔΕΞΙΑ πλευρά του πριονιού μετά το πέρας της κοπής.

7. Επένδυση ξύλου (Εικ. 39)

Η χρήση επένδυσης ξύλου βοηθάει στην εξασφάλιση κοπών χωρίς σκλήθρες στα τεμάχια εργασίας. Προσαρμόστε μία επένδυση ξύλου στον φράχτη οδηγό χρησιμοποιώντας τις τρύπες στον φράχτη οδηγό.

Δείτε την εικόνα σχετικά με τις διαστάσεις για μία προτεινόμενη επένδυση ξύλου.

⚠ ΠΡΟΣΟΧΗ:

- Χρησιμοποιείτε ίσιο ξύλο ομοιόμορφου πάχους για την επένδυση ξύλου.

⚠ ΠΡΟΕΙΔΟΠΟΙΗΣΗ:

- **Χρησιμοποιήστε βίδες για να προσαρμόσετε το ξύλινο μέτωπο στον φράχτη οδηγό. Οι βίδες θα πρέπει να τοποθετούνται έτσι ώστε οι κεφαλές των βιδών να βρίσκονται κάτω από την επιφάνεια του ξύλινου μετώπου και να μην εμποδίζουν την τοποθέτηση του υλικού προς κοπή.** Τυχόν κακή ευθυγράμμιση του υλικού προς κοπή μπορεί να προκαλέσει μη αναμενόμενη κίνηση στη διάρκεια της εργασίας κοπής η οποία ενδέχεται να καταλήξει σε απώλεια ελέγχου και σοβαρό τραυματισμό.

ΑΝΑΚΟΙΝΩΣΗ:

- Όταν η επένδυση ξύλου προσαρμόζεται, μη περιστρέψετε την περιστροφική βάση με την λαβή χαμηλωμένη. Η λάμα καύη η επένδυση ξύλου μπορεί να πάθουν ζημιά.

8. Κοπή επαναληπτικών μηκών (Εικ. 40)

Όταν κόβετε πολλά τεμάχια υλικού στο ίδιο μήκος, από 220 χιλ. έως 385 χιλ., χρήση της πλάκας ρύθμισης (προαιρετικό εξάρτημα) θα διευκολύνει την επαρκέστερη λειτουργία. Τοποθετήστε την πλάκα ρύθμισης στην θήκη (προαιρετικό εξάρτημα) όπως φαίνεται στην εικόνα.

Ευθυγραμμίστε την γραμμή κοπής στο τεμάχιο εργασίας σας με την αριστερή ή δεξιά πλευρά της αυλάκωσης στην σανίδα εγκοπής και ενώ εμποδίζετε το τεμάχιο εργασίας να κινηθεί, μετακινίστε την πλάκα ρύθμισης στο ίδιο ύψος με την ακρη του τεμαχίου εργασίας. Μετά ασφαλίστε την πλάκα ρύθμισης με την βίδα. Όταν η πλάκα ρύθμισης δεν χρησιμοποιείται, χαλαρώστε την βίδα και γυρίστε την πλάκα ρύθμισης ώστε να μην εμποδίζει.

ΣΗΜΕΙΩΣΗ:

- Η χρησιμοποίηση του συνόλου θήκης - ράβδου (προαιρετικό εξάρτημα) επιτρέπει κοπή επαναληπτικών μηκών μέχρι 2.200 χιλ περίπου.

9. Κοπή αυλάκωσης (Εικ. 41)

Ενας τύπος κοπής dado μπορεί να γίνει προχωρώντας ως εξής:

Ρυθμίστε την θέση του κάτω ορίου της λάμας χρησιμοποιώντας την ρυθμιστική βίδα και τον ανασταλτικό βραχίονα να περιορίσετε το βάθος κοπής της λάμας. Ανατρέξτε στο εδάφιο “Ανασταλτικός βραχίονας” που περιγράφηκε προηγουμένως.

Αφού ρυθμίσετε την θέση κάτω ορίου της λάμας, κόψτε παράλληλες αυλακώσεις κατά πλάτος του τεμαχίου εργασίας χρησιμοποιώντας μία ολισθητική (σπρωχτή) κοπή όπως φαίνεται στην εικόνα. Μετά μετακινίστε το υλικό του τεμαχίου εργασίας μεταξύ των αυλακώσεων με ένα σκαπέλο.

⚠ ΠΡΟΕΙΔΟΠΟΙΗΣΗ:

- **Μην επιχειρήσετε να εκτελέσετε κοπή αυτού του είδους χρησιμοποιώντας δίσκο μεγαλύτερου πάχους ή δίσκο πολλαπλής αυλάκωσης.** Εάν επιχειρήσετε να δημιουργήσετε κοπή αυλακας χρησιμοποιώντας δίσκο μεγαλύτερου πάχους ή δίσκο πολλαπλής αυλάκωσης, το αποτέλεσμα της κοπής ενδέχεται να είναι απρόβλεπτο και ενδέχεται να προκληθεί ανάκρουση με πιθανό σοβαρό τραυματισμό.

- **Βεβαιωθείτε ότι επαναφέρετε τον βραχίονα αναστολής στην αρχική θέση όταν εκτελείτε οτιδήποτε άλλο εκτός κοπή αυλακώσεων.** Εάν επιχειρήσετε να εκτελέσετε κοπή όταν ο βραχίονας αναστολέα βρίσκεται σε εσφαλμένη θέση, το αποτέλεσμα της κοπής ενδέχεται να είναι απρόβλεπτο και ενδέχεται να προκληθεί ανάκρουση με πιθανό σοβαρό τραυματισμό.

Μεταφορά εργαλείου (Εικ. 42 και 43)

Βεβαιωθείτε ότι έχετε αφαιρέσει την κασέτα μπαταρίας. Ασφαλίστε τη λάμα σε κωνική γωνία 0° και την περιστροφική βάση στην τέρμα δεξιά λοξή γωνία. Ασφαλίστε τους στύλους ολίσθησης, ώστε ο κάτω στύλος ολίσθησης να ασφαλιστεί στη θέση της κινητής βάσης όταν είναι πλήρως τραβηγμένη προς την πλευρά του χειριστή και οι άνω στύλοι ολίσθησης να ασφαλιστούν στη θέση της κινητής βάσης όταν έχει ωθηθεί πλήρως προς τον φράχτη οδηγού. Χαμηλώστε πλήρως τη λαβή και ασφαλίστε την στη κάτω θέση ωθώντας τον πείρο αναστολέα προς τα μέσα.

Μεταφέρετε το εργαλείο κρατώντας και τις δύο πλευρές της βάσης του εργαλείου όπως φαίνεται στην εικόνα. Εάν αφαιρέσετε τις θήκες, σάκο σκόνης, κλπ., μπορείτε να μεταφέρετε το εργαλείο πολύ ευκολότερα.

⚠️ ΠΡΟΣΟΧΗ:

- Πάντοτε ασφαλίστε όλα τα κινούμενα τμήματα πριν μεταφέρετε το εργαλείο. Σε περίπτωση μετακίνησης ή ολίσθησης μερών του εργαλείου κατά την κοπή ενδέχεται να προκύψει απώλεια ελέγχου ή ισορροπίας προκαλώντας σοβαρό τραυματισμό.

⚠️ ΠΡΟΕΙΔΟΠΟΙΗΣΗ:

- **Ο πείρος αναστολέας προορίζεται μόνο για λόγους μεταφοράς και φύλαξης και δεν θα πρέπει ποτέ να χρησιμοποιείται σε οποιαδήποτε εργασία κοπής.** Η χρήση του πείρου αναστολέα για εργασίες κοπής ενδέχεται να προκαλέσει μη αναμενόμενη κίνηση του πριονιού προκαλώντας ανάκρουση και σοβαρό τραυματισμό.

ΣΥΝΤΗΡΗΣΗ

⚠️ ΠΡΟΣΟΧΗ:

- Πριν την εκτέλεση εργασιών με τη συσκευή διαβεβαιώνετε πάντοτε, για το ότι η συσκευή σβήστηκε και η κασέτα μπαταρίας έχει αφαιρεθεί.

⚠️ ΠΡΟΕΙΔΟΠΟΙΗΣΗ:

- **Πάντοτε επιβεβαιώνετε ότι η λάμα είναι ακονισμένη και καθαρή για την καλύτερη και ασφαλέστερη απόδοση.** Εάν επιχειρήσετε να εκτελέσετε κοπή χρησιμοποιώντας στομωμένο ή/και ακάθαρμο δίσκο, ενδέχεται να προκληθεί ανάκρουση και κατά συνέπεια σοβαρός τραυματισμός.

ΑΝΑΚΟΙΝΩΣΗ:

- Μην χρησιμοποιείτε ποτέ βενζίνη, πετρελαϊκό αιθέρα, διαλυτικό, αλκοόλη ή παρόμοιες ουσίες. Ενδέχεται να προκληθεί αποχρωματισμός παραμόρφωση ή ρωγμές.

Ρύμιση της γωνίας κοπής

Αυτό το εργαλείο είναι προσεκτικά ρυθμισμένο και ευθυγραμμισμένο στο εργοστάσιο, αλλά σκληρή μεταχείριση μπορεί να έχει επηρεάσει την ευθυγράμμιση. Εάν το εργαλείο σας δεν είναι ευθυγραμμισμένο κατάλληλα, εκτελέστε τα ακόλουθα:

1. Λοξή γωνία

Σπρώχτε την κινητή βάση προς τον φράχτη οδηγό και σφίχτε τις δύο βίδες σύσφιξης για να ασφαλίσετε την κινητή βάση.

Χαλαρώστε την λαβή που ασφαρίζει την περιστροφική βάση. Γυρίστε την περιστροφική βάση έτσι ώστε ο δείκτης δείχνει στις 0° στην λοξή κλίμακα. Μετά γυρίστε την περιστροφική βάση ελαφρά δεξιόστροφα και αριστερόστροφα να τοποθετήσετε την περιστροφική βάση στην λοξή εγκοπή των 0°. (Αφήστε το όπως είναι εάν ο δείκτης δεν δείχνει στις 0°.) Χαλαρώστε τα εξάγωνα μπουλόνια που ασφαλίζουν τον φράχτη οδηγού χρησιμοποιώντας το εξαγωνικό κλειδί. (Εικ. 44)

Χαμηλώστε την λαβή πλήρως και κλειδώστε την στην κάτω θέση σπρώχνοντας μέσα τον ανασταλτικό πείρο. Τετραγωνίστε την πλευρά της λάμας με την όψη του φράκτη οδηγού χρησιμοποιώντας ένα τριγωνικό κανόνα, τετραγωνικό κανόνα, κλπ. Μετά σφίχτε με ασφάλεια τα εξάγωνα μπουλόνια στον φράχτη οδηγό στην σειρά από την δεξιά πλευρά. (Εικ. 45)

Βεβαιωθείτε ότι ο δείκτης δείχνει στις 0° στην λοξή κλίμακα. Εάν ο δείκτης δεν δείχνει στις 0° χαλαρώστε την βίδα που ασφαρίζει τον δείκτη και ρυθμίστε τον δείκτη έτσι ώστε να δείχνει στις 0°. (Εικ. 46)

2. Κωνική γωνία

1. 0° Κωνική γωνία

Σπρώχτε την κινητή βάση προς τον φράκτη οδηγό και σφίχτε τις δύο βίδες σύσφιξης για να στερεώσετε την κινητή βάση. Χαμηλώστε την λαβή πλήρως και κλειδώστε την στην κάτω θέση σπρώχνοντας μέσα τον ανασταλτικό πείρο. Χαλαρώστε τον μοχλό στο πίσω μέρος του εργαλείου.

Γυρίστε το ρυθμιστικό μπουλόνι 0° κωνικής γωνίας (κάτω μπουλόνι) στην δεξιά πλευρά του βραχίονα δύο ή τρεις περιστροφές αριστερόστροφα για να δώσετε κλίση στην λάμα στα δεξιά. (Εικ. 47)

Προσεκτικά τετραγωνίστε την πλευρά της λάμας με την επιφάνεια κορυφής της περιστροφικής βάσης χρησιμοποιώντας τον τριγωνικό κανόνα, τετραγωνικό κανόνα, κλπ. γυρίζοντας το ρυθμιστικό μπουλόνι κωνικής γωνίας 0° δεξιόστροφα. Μετά σφίχτε τον μοχλό με ασφάλεια. (Εικ. 48)

Βεβαιώστε ότι ο δείκτης στον βραχίονα δείχνει στο 0° στην κωνική κλίμακα στη θήκη του βραχίονα. Εάν δεν δείχνει στο 0°, χαλαρώστε την βίδα που ασφαρίζει τον δείκτη και ρυθμίστε τον δείκτη έτσι ώστε να δείχνει στο 0°. (Εικ. 49)

2. 45° κωνική γωνία
Ρυθμίστε την κωνική γωνία 45° μόνο αφού εκτελέσετε ρύθμιση κωνικής γωνίας 0°. Για να ρυθμίσετε αριστερή κωνική γωνία 45° χαλαρώστε τον μοχλό και κλίνετε την λάμα στα αριστερά πλήρως. Βεβαιώνεστε ότι ο δείκτης στον βραχίονα δείχνει στις 45° στην κωνική κλίμακα στην θήκη του βραχίονα. Εάν ο δείκτης δεν δείχνει στις 45°, γυρίστε το ρυθμιστικό μπουλόνι (άνω μπουλόνι) της κωνικής γωνίας 45° στην δεξιά πλευρά του βραχίονα μέχρι ο δείκτης να δείξει στις 45°. (Εικ. 50)

Αντικατάσταση ψηκτρών άνθρακα (Εικ. 51 και 52)

Αφαιρείτε και ελέγχετε τις ψήκτρες άνθρακα τακτικά. Αντικαθιστάτε τις όταν έχουν φθαρεί στο σημάδι ορίου. Κρατάτε τις ψήκτρες άνθρακα καθαρές και ελεύθερες να γλιστρούν στις θήκες. Και οι δύο ψήκτρες άνθρακα πρέπει να αντικαθίστανται ταυτόχρονα. Χρησιμοποιείτε μόνο ταυτόσημες ψήκτρες άνθρακα. Χρησιμοποιείτε ένα κατασαβίδι για να αφαιρέσετε τα καπάκια των ψηκτρών άνθρακα. Βγάλτε τις φθαρμένες ψήκτρες άνθρακα, βάλτε τις καινούργιες και ασφαλίστε τα καπάκια των ψηκτρών άνθρακα.

Μετά την χρήση

- Μετά την χρήση, σφουγγίστε τα τεμαχίδια και την σκόνη που είναι κολλημένα στο εργαλείο με ένα πανί ή κάτι παρόμοιο. Κρατείστε τον προφυλακτήρα λάμας καθαρά σύμφωνα με τις οδηγίες στο προηγούμενος καλυφθέν τμήμα με τίτλο “Προφυλακτήρας λάμας”. Λιπαίνετε τα μέρη που γλιστρούν με μηχανικό έλαιο για να μην οξειδωθούν.
- Όταν αποθηκεύετε το μηχάνημα, τραβήξτε τη κινητή βάση πλήρως προς το μέρος σας έτσι ώστε η ολισθαίνουσα ράβδος να έχει μπει καλά μέσα στη περιστροφική βάση.

Για την διατήρηση της ΑΣΦΑΛΕΙΑΣ και ΑΞΙΟΠΙΣΤΙΑΣ του προϊόντος, επισκευές, οποιαδήποτε άλλη συντήρηση ή ρύθμιση πρέπει να εκτελούνται από Εξουσιοδοτημένα Κέντρα Σερβις της Makita, πάντοτε με χρήση ανταλλακτικών Makita.

ΠΡΟΑΙΡΕΤΙΚΑ ΕΞΑΡΤΗΜΑΤΑ

⚠️ ΠΡΕΙΔΟΠΟΙΗΣΗ:

- Αυτά τα εξαρτήματα ή προσαρτήματα συνιστώνται για χρήση με το εργαλείο Makita που περιγράφηκε στις οδηγίες αυτές. Η χρήση οποιωνδήποτε άλλων παρελκομένων ή προσαρτημάτων ενδέχεται να καταλήξει σε πρόκληση σοβαρού τραυματισμού.
- Το παρεκόμενο ή το προάρτημα της Makita να χρησιμοποιείται μόνο για την προοριζόμενη χρήση του. Η κακή χρήση ενός παρελκομένου ή προσαρτήματος ενδέχεται να καταλήξει σε πρόκληση σοβαρού τραυματισμού.

Εάν χρειάζεστε οποιαδήποτε βοήθεια για περισσότερες πληροφορίες σε σχέση με αυτά τα εξαρτήματα, αποτανθείτε στο τοπικό σας κέντρο εξυπηρέτησης Makita.

- Λάμες πριονιού καρβιδικών άκρων
- Σύνολο μέγγενης (οριζόντια μέγγενη)
- Κατακόρυφη μέγγενη
- Ρύθμιση θήκης
- Σύνολο θήκης
- Σύνολο θήκης ράβδου
- Πλάκα ρύθμισης
- Σάκος σκόνης
- Τριγωνικός κανόνας
- Εξαγωνο κλειδί
- Διάφοροι τύποι αυθεντικών μπαταριών και φορτιστών Makita

ΠΑΡΑΤΗΡΗΣΗ:

- Μερικά στοιχεία στη λίστα μπορεί να συμπεριλαμβάνονται στη συσκευασία εργαλείου ως στάνταρ εξαρτήματα. Μπορεί να διαφέρουν ανάλογα με τη χώρα.

ENG905-1

Θόρυβος

Το τυπικό Α επίπεδο καταμετρημένου θορύβου καθορίζεται σύμφωνα με το EN61029:

Στάθμη πίεσης ήχου (L_{pA}): 88 dB (A)
Στάθμη δύναμης ήχου (L_{WA}): 98 dB (A)
Αβεβαιότητα (K): 3 dB (A)

Φοράτε ωτοασπίδες

ENG900-1

Κραδασμός

Η ολική τιμή δόνησης (άθροισμα τρι-αξονικού διανύσματος) καθορίζεται σύμφωνα με το EN61029:

Εκπομπή δόνησης (a_h): 2,5 m/s² ή λιγότερο
Αβεβαιότητα (K): 1,5 m/s²

ENG901-1

- Η δηλωμένη τιμή εκπομπής κραδασμών έχει μετρηθεί σύμφωνα με την πρότυπη μέθοδο δοκιμής και μπορεί να χρησιμοποιηθεί για τη σύγκριση ενός εργαλείου με άλλο.
- Η δηλωμένη τιμή εκπομπής κραδασμών μπορεί να χρησιμοποιηθεί και στην προκαταρκτική αξιολόγηση έκθεσης.

⚠ ΠΡΟΕΙΔΟΠΟΙΗΣΗ:

- Η εκπομπή κραδασμών κατά τη χρήση του ηλεκτρικού εργαλείου σε πραγματικές συνθήκες μπορεί να διαφέρει από τη δηλωμένη τιμή εκπομπής ανάλογα με τον τρόπο χρήσης του εργαλείου.
- Φροντίστε να λάβετε τα κατάλληλα μέτρα προστασίας του χειριστή βάσει υπολογισμού της έκθεσης σε πραγματικές συνθήκες χρήσης (λαμβάνοντας υπόψη όλες τις συνιστώσες του κύκλου λειτουργίας όπως τους χρόνους που το εργαλείο είναι εκτός λειτουργίας και όταν βρίσκεται σε αδρανή λειτουργία πέραν του χρόνου ενεργοποίησης).

ENH003-15

Μόνο για χώρες της Ευρώπης

Δήλωση Συμμόρφωσης ΕΚ

Η Makita δηλώνει ότι τα ακόλουθα μηχανήματα:

Χαρακτηρισμός μηχανήματος:

Ολισθαίνον διακοπρίονο σύνθετης λοξοτομής

Αρ. μοντέλου/ Τύπος: DLS713

συμμορφώνονται με τις ακόλουθες Ευρωπαϊκές

Οδηγίες:

2006/42/ΕΚ

Κατασκευάζονται σύμφωνα με τα ακόλουθα πρότυπα ή έγγραφα τυποποίησης:

EN61029

Το αρχείο τεχνικών στοιχείων, σύμφωνα με την Οδηγία 2006/42/ΕΚ, διατίθεται από:

Makita, Jan-Baptist Vinkstraat 2, 3070, Βέλγιο

30.6.2014



Yasushi Fukaya

Διευθυντής

Makita, Jan-Baptist Vinkstraat 2, 3070, Βέλγιο

Genel görünüşün açıklanması

1 Durdurucu pim	29 Serbest bırakma düğmesi	57 Vidalı topuz
2 Cıvata	30 Eğim ölççeği	58 Çıkıntı
3 Ayar cıvatası	31 Kol	59 Vidalı mil
4 Kırmızı bölüm	32 Vida	60 Kaide
5 Düşme	33 Anahtar tetik	61 Çubuk 12
6 Batarya kartuşu	34 Güvenlik kilidi düğmesi	62 Sıkıştırma vidası
7 Yıldız işareti	35 Asma kilit deliği	63 52/38° kartonpiyer
8 Bıçak siperi	36 Anahtar tutucu	64 45° kartonpiyer
9 Bıçak siperi A	37 Altıgen anahtar	65 45° içbükey kartonpiyer
10 Bıçak siperi B	38 Orta kapak	66 İç köşe
11 Ayar vidası	39 Altıgen anahtar	67 Dış köşe
12 Kesim tahtası	40 Altıgen soket cıvata	68 15 mm (5/8") üzeri
13 Testere bıçağı	41 Güvenlik kapağı	69 420 mm (16-1/2") üzeri
14 Bıçak dişleri	42 Mil kilidi	70 Delikler
15 Sola eğimli kesim	43 Ok	71 Ayar plakası
16 Düz kesim	44 Bıçak kılıfı	72 Bıçakla oluk kesme
17 Kılavuz bariyeri	45 Altıgen soket cıvata (sol)	73 Üçgen cetvel
18 Dönüş kaidesi	46 Dış flanş	74 Kol tutucu
19 Dönüş tablasının üst yüzeyi	47 İç flanş	75 0° eğimli açılı ayarlama cıvatası
20 Bıçak çevresi	48 İğ	76 Sola 45° eğimli açılı ayarlama cıvatası
21 Ayar vidası	49 Toz torbası	77 Limit işareti
22 Durdurucu kol	50 Toz toplama başlığı	78 Firça tutucu kapağı
23 Alt bariyer	51 Bağlama elemanı	79 Tornavida
24 İşaretçi	52 Destek	
25 Gönye ölççeği	53 Vidalı kol	
26 Kilitleme kolu	54 Vidalı çubuk	
27 Kavrama	55 Tutucu	
28 Kol	56 Tutucu mekanizması	

TEKNİK ÖZELLİKLER**Model**

Bıçak çapı	190 mm
Bıçak gövdesi kalınlığı	1,3 mm – 2,0 mm
Delik (mil) çap	20 mm
Maks. Gönye açısı	Sol 47°, Sağ 57°
Maks. Eğim açısı	Sol 45°, Sağ 5°
Maks. Kesim kapasitesi (Y x G) 190 mm çaplı bıçak	

DLS713

Gönye kesme	Eğim açısı		
	45° (sol)	0°	5° (sağ)
0°	25 mm x 300 mm	52 mm x 300 mm	40 mm x 300 mm
	—	*60 mm x 265 mm (Not 1)	—
45° (sol ve sağ)	25 mm x 212 mm	52 mm x 212 mm	—
	—	*60 mm x 185 mm (Not 2)	—
57° (sağ)	—	52 mm x 163 mm	—
	—	*60 mm x 145 mm (Not 3)	—

Yüksüz hız (dak ⁻¹)	2.200
Boyutlar (U x G x Y)	655 mm x 430 mm x 454 mm
Net ağırlık	12,7 kg
Anma voltajı	D.C. 18 V

(Not)

* işareti aşağıdaki kalınlıklarda bir ahşap kaplama kullanıldığını gösterir.

1: 20 mm kalınlığında ahşap kaplama kullanırken.

2: 15 mm kalınlığında ahşap kaplama kullanırken.

3: 10 mm kalınlığında ahşap kaplama kullanırken.

- Sürekli yapılan araştırma ve geliştirmelerden dolayı, burada belirtilen özellikler önceden bildirilmeksizin değiştirilebilir.
- Özellikler ve batarya kartuşu ülkeden ülkeye değişebilir.
- EPTA-Prosedürü 01/2003 uyarınca batarya kartuşu ile birlikte ağırlık

Kullanım amacı

Bu alet, ahşap malzemede düz ve gönyeli hassas kesimler yapmak için tasarlanmıştır.

Genel Elektrikli Alet Güvenliği

⚠ UYARI! Tüm güvenlik uyarılarını ve tüm talimatları okuyun. Uyarılara ve talimatlara uyulmaması elektrik şoku, yangın ve/veya ciddi yaralanmalar ile sonuçlanabilir.

Tüm uyarıları ve talimatları ileride başvurmak için saklayın.

AKÜLÜ GÖNYE BURUN TESTERESİ GÜVENLİK UYARILARI

1. Ellerinizi testere bıçağının hareket alanından uzak tutun. Alet durdurulduktan sonra durana kadar boşta dönen bıçağa temastan sakının. Ciddi yaralanmalara sebep olabilir.
2. Kullanmadan önce testere bıçağında çatlak ya da deformasyon olup olmadığını dikkatlice kontrol edin.
Hasarlı bıçağı hemen değiştirin.
3. Kesim tahtası aşındığında yenisiyle değiştirin.
4. Sadece ENB47-1 standardına uygun olan, üretici tarafından belirtilen testere bıçaklarını kullanın.
5. Yüksek hız çeliğinden üretilmiş testere bıçaklarını kullanmayın.
6. Koruyucu gözlük takın.
7. İşitme kaybı riskini azaltmak için kulak koruyucu takın.
8. Testere bıçaklarına ya da pürüzlü malzemelere dokunmanız gerektiğinde eldiven kullanın (testere bıçakları uygun olan durumlarda bir tutucu içinde taşınmalıdır).
9. Kesme işlemi sırasında gönye kesme makinesini bir toz toplama aygıtına bağlayın.
10. Testere bıçaklarını kesilecek malzemeye uygun olarak seçin.
11. Testereyi tahta dışındaki malzemeleri kesmek için kullanmayın.
12. Aleti taşımadan önce hareket eden tüm parçaları sabitleyin. Aleti kaldırırken veya taşırken, siperi bir taşıma kolu gibi kullanmayın.
13. Koruma siperleri yerine takmadan testereyi kullanmayın.
Her kullanımdan önce bıçağın koruma siperinin doğru bir şekilde kapatılıp kapatılmadığını kontrol edin. Bıçağın koruma siperi serbest bir şekilde hareket etmiyor ve anında kapanmıyorsa testereyi kullanmayın. Bıçağın koruma siperini asla açık konumda kalacak şekilde sıkıştırmayın ve bağlamayın.
14. Talaş ya da kesilmiş parçalar gibi malzemeleri zemin üzerinde bırakmayın.
15. Maksimum hızı, alet üzerinde işaretli olan yüksüz çalışma hızına eşit ya da ondan daha yüksek olan testere bıçaklarını kullanın.
16. Alet lazer veya LED donanımlıysa, lazer veya LED'i farklı bir tipte değiştirmeyin. Yetkili bir servis merkezinden tamir etmesini isteyin.

17. Alet sipersiz bir testere bıçağı ile çalışırken kesilen parçaları veya iş parçasının diğer parçalarını kesim bölgesinden asla almayın.
18. Hiçbir işlemi iş parçasını sabitlemeden gerçekleştirilmeyin. Tüm işlemler sırasında iş parçası dönüş kaidesine ve kılavuz bariyerine mengene ile sıkıca sabitlenmeli. İş parçasını sabitlemek için asla elinizi kullanmayın.
19. Her kesimden önce aletin dengeli olduğundan emin olun.
20. Gerekirse, aleti bir çalışma tezgahına sabitleyin.
21. Uzun iş parçalarını uygun ilave desteklerle destekleyin.
22. Mengene ile sıkıca tutulamayan çok küçük iş parçalarını asla kesmeyin. Doğru şekilde tutulmayan bir iş parçası geri tepmeye ve ciddi kişisel yaralanmalara neden olabilir.
23. Bir şeye ulaşmak için testere bıçağının yakınına yaklaşmayın.
24. İş parçasını taşımak ve ayarları değiştirmek için aleti kapatıp testere bıçağının durmasını bekleyin.
25. Bıçağı değiştirmeden veya bir bakım işlemi yapmadan önce aleti fişten çekin.
26. Kesici kafanın aşağı sabitlenmesini sağlayan durdurucu pim sadece taşıma ve saklama amacıyla kullanılmalı, hiçbir kesim işlemi sırasında kullanılmamalıdır.
27. Aleti, alev alabilir sıvı ve gazların bulunduğu ortamlarda kullanmayın. Aletin elektrikle çalışması sonucu, alev alabilir sıvı gazlara maruziyet halinde patlama olabilir ya da yangın çıkabilir.
28. Sadece bu alete uygun olan flanşları kullanın.
29. Mil, flanş (özellikle montaj yüzeyi) ve civatalara zarar gelmemesine dikkat edin. Bu parçalara zarar gelirse bıçak kırılabilir.
30. Dönüş kaidesinin işçesi sabitlendiğinden, kullanım sırasında hareket etmeyeceğinden emin olun.
31. Güvenliğiniz için, kullanımdan önce tezgahın üstündeki küçük parçaları vb. ni kaldırın.
32. Çivileri kesmeyin. İşlemden önce iş parçasının üzerinde çivi olup olmadığını kontrol edin ve varsa hepsinin çıkarın.
33. Anahtar açılmadan önce shaft kilidinin serbest olduğundan emin olun.
34. Bıçağın en düşük konumda dönüş kaidesine temas etmediğinden emin olun.
35. Tutamağı elinizle sıkıca tutun. Başlatma ve durma sırasında testerenin hafifçe yukarı veya aşağı hareket ettiğini unutmayın.
36. Anahtar açılmadan önce bıçağın iş parçasına temas etmediğinden emin olun.
37. Aleti iş parçası üzerinde kullanmadan önce bir müddet çalıştırın. İyi takılmamış veya tam dengelenmemiş bir bıçağın belirtileri olan vibrasyon ya da sallanma olup olmadığını bakın.
38. Kesmeden önce bıçak tam hıza ulaşana kadar bekleyin.
39. Anormal bir durum fark ederseniz kullanımı derhal durdurun.
40. Tetiği açık konumda kilitlemeye çalışmayın.

41. Özellikle tekrar eden, monoton işlemler sırasında dikkatinizin dağılmamasına dikkat edin. Kendinizi güvende sanma yanılgısına düşmeyin. Bıçaklar son derece tehlikelidir.
42. Daima bu kılavuzda tavsiye edilen aksesuarları kullanın. Zımpara taşı gibi uygun olmayan aksesuarların kullanımı yaralanmaya sebep olabilir.
43. Yarma işlemi sırasında dikkatli olun.
44. Kullanım sırasında oluşan bazı tozlar kansere, doğum kusurlarına ya da diğer üreme sorunlarına neden olduğu bilinen kimyasallar içerir. Bu kimyasallardan bazıları şunlardır:
 - kurşun bazlı boyayla boyanmış malzemelerden kaynaklanan kurşun,
 - kimyasal işlem görmüş keresteden kaynaklanan arsenik ve krom.
 Bu kimyasallara maruz kalmanızdan dolayı oluşacak risk, bu tip işleri ne sıklıkla yaptığınıza göre değişir. Bu kimyasallara maruziyetinizi azaltmak için: iyi havalandırılmış bir alanda ve mikroskobik parçacıkları filtrelemek için tasarlanmış toz maskeleri gibi onaylanmış güvenlik ekipmanları ile çalışın.
45. Çıkan gürültüyü azaltmak için, bıçağın daima keskin ve temiz olduğundan emin olun.
46. Operatör kullanım, ayarlama ve makinenin işleyişi konusunda yeterli eğitimi almış olmalıdır.

BU TALİMATLARI MUHAFAZA EDİNİZ.

⚠ UYARI:
 Ürünü kullanırken (defalarca kullanınca kazanılan) rahatlık ve tanıdıklık duygusunun ilgili ürünün güvenlik kurallarına sıkı sıkıya bağlı kalmanın yerine geçmesine İZİN VERMEYİN. YANLIŞ KULLANIM veya bu kullanma kılavuzunda belirtilen emniyet kurallarına uymama ciddi yaralanmaya neden olabilir.

ENC007-7

ÖNEMLİ GÜVENLİK TALİMATLARI

BATARYA KARTUŞU İÇİN

1. Batarya kartuşunu kullanmadan önce, tüm talimatları ve (1) batarya kartuşu, (2) batarya ve (3) ürün üzerindeki tüm uyarı işaretlerini okuyun.
2. Batarya kartuşunu demonte etmeyin.
3. Çalışma süresi aşırı derecede kısalmışsa kullanmayı derhal bırakın. Aşırı ısınma, yanma riski hatta patlamaya neden olabilir.
4. Gözünüze elektrolit kaçarsa, gözlerinizi temiz suyla durulayın ve hemen tıbbi yardım alın. Görme kaybına yol açabilir.
5. Batarya kartuşuna kısa devre yaptırmayın:
 - (1) Terminallere herhangi bir iletken madde ile dokunmayın.
 - (2) Batarya kartuşunu çivi, bozuk para gibi başka metal nesnelerin olduğu bir kutuda saklamayın.
 - (3) Batarya kartuşunun suyla ya da yağmurla temas etmesine izin vermeyin. Kısa devre, büyük bir akım akışına, aşırı ısınmaya, olası yanıklara hatta bataryanın bozulmasına yol açabilir.

6. Aleti ve batarya kartuşunu sıcaklığın 50°C'yi geçtiği ortamlarda saklamayın.
7. Aşırı derecede hasar görmüş ya da tamamen kullanılamaz durumda olsa bile batarya kartuşunu yakmayın. Batarya kartuşu ateşe atılırsa patlayabilir.
8. Bataryayı düşürmemeye ve çarpmaya dikkat edin.
9. Hasarlı bataryayı kullanmayın.

BU TALİMATLARI MUHAFAZA EDİNİZ.

Maksimum batarya ömrü için ipuçları

1. Batarya kartuşunu tamamen boşalmadan önce şarj edin. Aletin gücünün zayıflamaya başladığını fark ettiğinizde aleti durdurun ve batarya kartuşunu şarj edin.
2. Tam dolu bir batarya kartuşunu asla yeniden şarj etmeyin. Aşırı şarj etme bataryanın hizmet ömrünü kısaltır.
3. Batarya kartuşunu 10°C – 40°C oda sıcaklığında şarj edin. Sıcak bir batarya kartuşunu şarj etmeden önce soğumasını bekleyin.
4. Uzun bir süre kullanmadığınız durumlarda pil kartuşunu altı ayda bir şarj edin.

KURULUM

Tezgahtarın montajı

Alet gönderildiğinde, durdurucu bir pim tutamağı aşağı indirilmiş konumda kilitleli tutar. Tutamağı hafifçe aşağı doğru bastırıp aynı anda durdurucu pimi çekerek, durdurucu pimi serbest bırakın. **(Şek. 1)**

⚠ UYARI:

- Aletin destek yüzeyinin üzerine gelmemesine dikkat edin. Gönye kesme makinesinin kesim sırasında destek yüzeyine gelmesi, kontrolün kaybedilmesine ve ciddi kişisel yaralanmalara sebep olabilir.

Bu alet iki civata ile aletin kaidesi üzerindeki civata delikleri kullanılarak düz ve sabit bir yüzeye tutturulmalıdır. Bu, kaymayı ve olası yaralanmaları önlemeye yardımcı olacaktır. **(Şek. 2)**

Ayar civatasını saat yönünde veya saatin aksi yönde döndürerek aletin sabit durması için zemin yüzeyi ile temas etmesini sağlayın. **(Şek. 3)**

İŞLEVSEL NİTELİKLER

⚠ UYARI:

- Alet üzerinde ayarlama ya da işleyiş kontrolü yapmadan önce aletin kapalı ve batarya kartuşunun çıkartılmış olduğundan daima emin olun. Aletin kapatılmaması ve batarya kartuşunun çıkarılmaması istemsiz olarak aletin başlatılması sonucu ciddi kişisel yaralanmalara neden olabilir.

Batarya kartuşunun takılması ve çıkarılması **(Şek. 4)**

- Batarya kartuşunu takmadan ya da çıkarmadan önce aleti daima kapatın.
- Batarya kartuşunu çıkarmak için, kartuşun ön tarafındaki düğmeyi kaydırarak kartuşu aletten çıkarın.

- Batarya kartuşunu takmak için, batarya kartuşu üzerindeki dili yuvanın çentiği ile hizalayın ve yerine oturtun. Tık sesi duyulana kadar itip yerine tam oturmasını sağlayın. Düğmenin üst tarafındaki kırmızı bölüm görünüyorsa tam yerine kilitlememiş demektir. Kırmızı bölüm görünmeyecek şekilde tam olarak oturtun. Yerine tam oturmazsa, aletten yanlışlıkla düşebilir, sizin ya da çevrenizdeki kişilerin yaralanmasına neden olabilir.
- Batarya kartuşunu kullanırken güç kullanmayın. Kartuş kolay bir şekilde kaymıyorsa doğru yerleştirilmemiş demektir.

Pil koruma sistemi (Yıldız işaretli lityum-iyon pil) (Şek. 5)

- Yıldız işaretli lityum iyon piller bir koruma sistemi ile donatılmıştır. Bu sistem pil ömrünü uzatmak için alete giden gücü otomatik olarak keser.
- Alet ya da pilde aşağıdaki durumlardan birinin oluşması durumunda alet çalışmayı otomatik olarak durdurur:
- Aşırı yüklenme:
Alet anormal derecede yüksek akım çekmesine neden olan bir şekilde çalıştırılmaktadır. Bu durum söz konusuysa, alet üzerindeki tetik anahtarını serbest bırakın ve alete aşırı yük binmesine neden olan uygulamayı durdurun. Yeniden başlatmak için anahtar tetiğini çekin.
Alet çalışmaya başlamazsa, pil aşırı ısınmış olabilir. Bu durumda, anahtar tetiği tekrar çekmeden önce pilin soğumasını bekleyin.
 - Düşük pil voltajı:
Kalan pil kapasitesi çok düşük olursa alet çalışmaz. Bu durumda, pili çıkarın ve şarj edin.

Bıçak siperi

Avrupa ülkeleri dışındaki diğer tüm ülkeler için (Şek. 6)

Kolu indirirken, bıçak siperi otomatik olarak kalkar. Siper yaylı olduğu için kesim tamamlanıp kol kaldırıldığında orijinal konumuna döner.

⚠ UYARI:

- **Bıçak siperini veya sipere bağlı olan yayı asla devre dışı bırakmayın ve çıkarmayın.** Siperin devre dışı bırakılması sonucu açıkta kalan bıçak kullanım sırasında ciddi kişisel yaralanmalara neden olabilir.

Kişisel güvenliğinizi korumak için, bıçak siperini daima iyi durumda muhafaza edin. Bıçak siperinin işleyişinde herhangi bir düzensizlik görülürse hemen düzeltilmelidir. Siperin yaylı geri dönüş hareketini kontrol edin.

⚠ UYARI:

- **Bıçak siperi ya da yayı hasarlı, arızalı ya da çıkmış ise aleti asla kullanmayın.** Hasarlı, arızalı ya da çıkmış bir siperle aletin kullanılması ciddi kişisel yaralanmalara neden olabilir.

Avrupa ülkeleri için (Şek. 7)

Kolu indirirken, bıçak siperi A otomatik olarak kalkar. Bıçak siperi B bir iş parçasına temas ettiğinde kalkar. Siperler yaylı olduğu için kesim tamamlanıp kol kaldırıldığında orijinal konumuna döner.

⚠ UYARI:

- **Bıçak siperini veya sipere bağlı olan yayı asla devre dışı bırakmayın ve çıkarmayın.** Siperin devre dışı bırakılması sonucu açıkta kalan bıçak kullanım sırasında ciddi kişisel yaralanmalara neden olabilir.

Kişisel güvenliğinizi korumak için, bıçak siperlerini daima iyi durumda muhafaza edin. Bıçak siperlerinin işleyişinde herhangi bir düzensizlik görülürse hemen düzeltilmelidir. Siperlerin yaylı geri dönüş hareketini kontrol edin.

⚠ UYARI:

- **Bıçak siperi ya da yayı hasarlı, arızalı ya da çıkmış ise aleti asla kullanmayın.** Hasarlı, arızalı ya da çıkmış bir siperle aletin kullanılması ciddi kişisel yaralanmalara neden olabilir.

Şeffaf bıçak siperi kirlenirse ya da testereden çıkan tozların yapışması sonucu bıçak ya da iş parçası görünemez hale gelirse, batarya kartuşunu çıkarın ve siperi nemli bir bezle temizleyin.

Plastik siper üzerinde çözücü ya da petrol bazlı temizleyiciler kullanmayın, aksi takdirde siper hasar görebilir.

Bıçak siperi kirlenirse ve düzgün çalışması için temizlenmesi gerekirse aşağıdaki adımları izleyin: Alet kapalı konumdayken ve batarya kartuşları çıkarıldıktan sonra, orta kapağı tutan altıgen soket civataları gevşetmek için aletle birlikte sağlanan altıgen anahtarını kullanın. Altıgen soket civatayı saatin aksi yönde döndürerek gevşetin, bıçak siperini ve orta kapağı kaldırın. (Şek. 8)

Bıçak siperi bu şekilde konumlandırıldığında, temizlik tam ve etkin olarak gerçekleştirilebilir. Temizlik tamamlandığında, yukarıdaki işlemler tersten izleyin ve civataları sıkılayın. Bıçak siperini tutan yayı çıkarmayın. Siper eskime ya da UV ışınlarla maruz kalma sonucu hasar görürse, yeni bir siper almak için Makita servisimize başvurun.

SİPERİ DEVRE DIŞI BIRAKMAYIN VE ÇIKARMAYIN.

Kesim tahtasını konumlandırma (Şek. 9 ve 10)

Kesimin çıkış tarafında yanlımları azaltmak için, bu alet dönüş tablasında kesim tahtaları ile birlikte sunulmuştur. Kesim tahtaları testere bıçağı kesim tahtaları ile temas etmeyecek şekilde fabrikada ayarlanmıştır. Kullanmadan önce, kesim tahtalarını aşağıdaki gibi ayarlayın:

Önce, batarya kartuşunu çıkartın. Kesim tahtasını tutan tüm vidaları (sağda ve solda 2'şer adet) gevşetin. Kesim tahtaları elle kolayca hareket ettirilebilecek kadar sıkılayın. Kolu tam aşağıya indirin ve kolu bu pozisyonda kilitlemek için durdurucu pimi ittirin. Kızak uçlarını sabitleyen iki sıkıştırma vidasını gevşetin. Taşıyıcıyı tamamen kendinize doğru çekin. Kesim tahtalarını, sadece bıçağın dışlarına temas edecek şekilde ayarlayın. Ön vidaları sıkılayın (çok fazla sıkıştırmayın). Taşıyıcıyı kilavuz bariyerine doğru tam olarak itin ve kesim tahtalarını, sadece bıçağın dışlarına temas edecek şekilde ayarlayın. Arka vidaları sıkılayın (çok fazla sıkıştırmayın).

Kesim tahtalarını ayarladıktan sonra durdurucu pimi serbest bırakıp kolu kaldırın. Ardından tüm vidaları iyice sıkın.

ÖNEMLİ NOT:

- **Eğim açısını ayarladıktan sonra kesim tahtalarını doğru bir şekilde ayarlandığından emin olun.** Kesim tahtalarının doğru ayarlanması iş parçasının doğru bir şekilde desteklenmesine yardımcı olarak iş parçasının yarılma riskini azaltır.

Maksimum kesme kapasitesinin sağlanması (Şek. 11 ve 12)

Bu alet 190 mm'lik testere bıçağı için maksimum kesme kapasitesi sağlamak için fabrikada ayarlanmıştır. Herhangi bir ayarlama yapmadan önce batarya kartuşunu çıkarın. Yeni bir bıçak takarken, bıçağın alt limit pozisyonunu kontrol edin ve gerekirse, aşağıdaki gibi ayarlayın:

Önce, batarya kartuşunu çıkartın. Taşıyıcıyı kilavuz bariyerine doğru tam olarak itin ve kolu tam olarak aşağı indirin. Ayar civatasını çevirmek için altıgen anahtarını kullanın ve kilavuz bariyerinin ön yüzü ile dönüş kaidesinin ön yüzünün keşiştiği noktada bıçağın çevresi dönüş kaidesinin üst yüzeyinin altından hafifçe uzanana kadar çevirin.

Batarya kartuşunu çıkarın ve kolu sürekli aşağıda tutup bıçağın alt kaidenin herhangi bir parçasına dokunmadığına emin olmak için bıçağı elle döndürün. Gerekirse yeniden hafifçe ayarlayın.

⚠ UYARI:

- **Yeni bir bıçak taktıktan sonra ve batarya kartuşu takılmadan önce, kol tam olarak aşağı indirildiğinde bıçağın alt kaidenin herhangi bir parçasına dokunmadığına emin olun.** Bıçak kaide ile temas ederse geri tepmeye neden olabilir ve ciddi kişisel yaralanmalara yol açabilir.

Durdurucu kol (Şek. 13)

Bıçağın alt limit konumu durdurucu kol ile kolayca ayarlanabilir. Ayarlamak için, durdurucu kolu şekilde gösterildiği gibi ok yönünde hareket ettirin. Ayar vidasını, kol tam olarak aşağı indirildiğinde bıçak istenen konumda duracak şekilde ayarlayın.

Alt bariyer (Yalnızca Avrupa ülkeleri için) (Şek. 14)

Bu alet bir alt bariyer ile donatılmıştır. Alt bariyer genellikle iç kısımda konumlandırılır. Ancak, sola eğimli kesimler yaparken bariyeri dışarı doğru çevirmelisiniz.

⚠ DİKKAT:

- Sola eğimli kesimler yaparken alt bariyeri dışarı doğru çevirin. Aksi takdirde, bıçağa ya da aletin bir parçasına temas edebilir ve operatörün ciddi şekilde yaralanmasına neden olabilir.

Gönye açısının ayarlanması (Şek. 15)

Kavrama kolunu saatin aksi yönde döndürerek gevşetin. Kilitleme koluna bastırarak dönüş kaidesini çevirin. Kavrama kolunu işaretçi gönye ölçeği üzerinde istenilen açıyı gösterecek şekilde yerleştirdikten sonra kavrama kolunu saat yönünde çevirerek iyice sıkıştırın.

⚠ DİKKAT:

- Gönye açısını değiştirdikten sonra, kavrama kolunu iyice sıkıştırarak dönüş kaidesini sabitleyin.

ÖNEMLİ NOT:

- Dönüş kaidesini çevirirken, kolu tam olarak yukarı kaldırdığımızdan emin olun.

Gönye açısının ayarlanması (Şek. 16 ve 17)

Gönye açısını ayarlamak için, aletin arkasındaki kolu saatin aksi yönde çevirerek gevşetin. İşaretçi, eğim ölçeği üzerinde istenen açıyı gösterene kadar testere bıçağını eğmek için kolu sola doğru itin. Ardından, kolu sabitlemek için saat yönünde döndürerek iyice sıkın.

Bıçağı sağa doğru eğmek için, kolu gevşettikten sonra bıçağı hafifçe sola doğru eğerek aletin arkasındaki serbest bırakma düğmesini itin. Serbest bırakma düğmesine basarak testere bıçağını sağa doğru eğin.

⚠ DİKKAT:

- Eğim açısını değiştirdikten sonra, mutlaka kolu saat yönünde döndürerek sıkıştırın.

ÖNEMLİ NOT:

- Testere bıçağını eğerken kolun tam olarak yukarı kalkmış olduğundan emin olun.
- Eğim açılarını değiştirirken, "Kesim tahtasını konumlandırma" bölümünde açıklandığı şekilde kesim tahtalarını konumlandırıdığımızdan emin olun.

Kol konumunun ayarlanması (Şek. 18)

Kol tam olarak sıkılmadığında 30°'lik açılarla konumu değiştirilebilir.

Aletin arkasında kolu sabitleyen vidayı gevşetin ve çıkarın. Kolu çıkarın ve hafifçe üst seviyede olacak şekilde yeniden takın. Kolu vida ile iyice sıkılayın.

Anahtar işlemi

Avrupa ülkeleri için (Şek. 19)

Anahtar tetiğın kaza sonucu çekilmesini önlemek için, bir güvenlik kilidi düğmesi sunulmuştur. Aleti başlatmak için güvenlik kilidi düğmesine bastırın ve anahtar tetiği çekin. Durdurmak için anahtar tetiği bırakın.

⚠ UYARI:

- **Batarya kartuşunu alete takmadan önce, anahtar tetiğın düzgün çalıştığından ve bırakıldığında "OFF" (KAPALI) pozisyona döndüğünden emin olun.** Güvenlik kilidi düğmesine basmadan anahtar tetiği sıkıca çekmeyin. Bu, anahtarın kırılmasına neden olabilir. Anahtar düzgün bir şekilde çalışmayan bir aletle işlem yapmak kontrolün kaybedilmesine ve ciddi kişisel yaralanmalara neden olabilir.

Anahtar kilitte aleti kilitlemek için bir asma kilit deliği bulunur.

Avrupa ülkeleri dışındaki diğer tüm ülkeler için (Şek. 20)

Anahtar tetiğın kaza sonucu çekilmesini önlemek için, bir güvenlik kilidi düğmesi sunulmuştur. Aleti başlatmak için güvenlik kilidi düğmesine bastırın ve anahtar tetiği çekin. Durdurmak için anahtar tetiği bırakın.

⚠ UYARI:

- **Batarya kartuşunu alete takmadan önce, anahtar tetiğın düzgün çalıştığından ve bırakıldığında "OFF" (KAPALI) pozisyona döndüğünden emin olun.** Güvenlik kilidi düğmesine basmadan anahtar tetiği sıkıca çekmeyin. Bu, anahtarın kırılmasına neden olabilir. Anahtar düzgün bir şekilde çalışmayan bir aletle işlem yapmak kontrolün kaybedilmesine ve ciddi kişisel yaralanmalara neden olabilir.

Anahtar kilitte aleti kilitlemek için bir asma kilit deliği bulunur.

⚠ UYARI:

- **Şank ya da kablo çapı 6,35 mm'den (1/4") küçük kilitler kullanmayın.** Küçük bir şank ya da kablo aleti tam olarak kapalı konumda kilitleyemeyebilir ve istem dışı olarak çalışma sonucu ciddi kişisel yaralanmalar oluşabilir.

- **Anahtar tetiği tam olarak çalışmayan bir aleti ASLA kullanmayın.** Anahtarları çalışmayan bir alet SON DERECE TEHLİKELİ'dir ve kullanıma devam edilmeden önce onarılmalıdır, aksi takdirde ciddi kişisel yaralanmalara yol açabilir.
- Güvenliğiniz için, bu alet istem dışı başlatmayı önlemek için bir güvenlik kilidi ile donatılmıştır. Güvenlik kilidi düşmesine basmadan sadece anahtar tetik çekildiğinde çalışan bir aleti ASLA kullanmayın. Tamir edilmesi gereken bir anahtar, istem dışı çalışmaya ve ciddi kişisel yaralanmalara neden olabilir. Daha fazla kullandıktan sonra ONCE tamir ettirmek için aleti bir Makita servisine götürün.
- ASLA güvenlik kilidini bantlayarak ya da başka bir yöntemle devre dışı bırakmaya çalışmayın. Güvenlik kilidi devre dışı bırakılmış bir anahtar, istem dışı çalışmaya ve ciddi kişisel yaralanmalara neden olabilir.

MONTAJ

⚠ UYARI:

- **Alet üzerinde çalışmadan önce aletin kapalı ve batarya kartuşunun çıkartılmış olduğundan daima emin olun.** Aletin kapatılmaması ve batarya kartuşunun çıkarılmaması ciddi kişisel yaralanmalara neden olabilir.

Altıgen anahtarının saklanması (Şek. 21)

Altıgen anahtarları şekilde gösterildiği gibi muhafaza edilir. Altıgen anahtar gerektiğinde, anahtar tutucudan çekilip çıkarılabilir.

Altıgen anahtar kullanıldıktan sonra anahtar tutucuya konarak saklanabilir.

Testere bıçağının takılması ve çıkarılması

⚠ UYARI:

- **Bıçağı takmadan ya da çıkarmadan önce aletin kapalı ve batarya kartuşunun çıkartılmış olduğundan daima emin olun.** Aletin istem dışı olarak başlatılması ciddi kişisel yaralanmalara neden olabilir.

⚠ DİKKAT:

- Bıçağı takmak ve çıkarmak için sadece Makita marka altıgen anahtarını kullanın. Aksi takdirde altıgen soket civata aşırı dercede ya da yetersiz sıkılabilir. Bu da yaralanmalara yol açabilir.

Durdurucu pimi iterek tutamağı kaldırılmış konumda kilitleyin. (Şek. 22)

Bıçağı çıkarmak için orta kapağı tutan altıgen soket civatayı saatin aksi yönde çevirerek gevşetmek için altıgen anahtarını kullanın. Bıçak siperini ve orta kapağı kaldırın. (Şek. 23)

İği kilitlemek için şaft kilidine bastırın ve altıgen soket civatayı saat yönünde çevirerek gevşetmek için altıgen anahtarını kullanın. Ardından altıgen soket civatayı, dış flanş ve bıçağı çıkarın. (Şek. 24)

NOT:

- İç flanş çıkartılırsa, çıkıntısı bıçağın dış tarafına bakacak şekilde iğn üzerinde taktığınızdan emin olun. Flanş yanlış bir şekilde takılırsa makineye sürtünür.

Bıçağı takmak için, dikkatli bir şekilde iğn üzerinde monte edin ve bıçağın yüzeyindeki okun yönünün bıçak kılıfı üzerindeki okun yönü ile aynı olduğundan emin olun. Dış flanş ve altıgen soket civatayı takın ve şaft kilidine basılı tutarken altıgen soket civatayı (sol tarafta) saatin aksi yönde çevirerek sıkılmak için altıgen anahtarını kullanın.

Bıçak siperini ve orta kapağı orijinal yerlerine takın. Ardından orta kapağı sabitlemek için altıgen soket civatayı saat yönünde çevirerek sıkılayın. Durdurucu pimi çekerek tutamağı kaldırılmış konumdan çıkarın. Bıçak siperinin düzgün bir şekilde hareket ettiğinden emin olmak için tutamağı indirin. Kesim yapmadan önce şaft kilidinin iği serbest bıraktığından emin olun. (Şek. 25 ve 26)

Toz torbası (aksesuar) (Şek. 27)

Bağlama elemanını takmak için, bağlama elemanının üst ucu ile toz torbasının üzerindeki üçgen işaretini hizalayın.

Toz torbası kullanımını, kesim işlemlerinin temiz, toz toplamanın da kolay bir şekilde yapılmasını sağlar. Toz torbasını toz oluşuna takın.

Toz torbasının yarısı dolduğunda toz torbasını aletten ayırın ve bağlama elemanını çekip çıkarın. Toz torbasının içine yapışan parçacıkların da çıkması için torbaya hafifçe vurarak içindekileri boşaltın.

NOT:

- Makinenize bir elektrikli süpürge bağlarsanız daha temiz çalışabilirsiniz.

İş parçasının sabitlenmesi (Şek. 28)

⚠ UYARI:

- **İş parçasını daima doğru tip vida kullanarak sabitlemek oldukça önemlidir.** Aksi takdirde ciddi kişisel yaralanmalar, alet ve/veya iş parçası üzerinde hasar oluşabilir.
- **Bir kesme işleminden sonra bıçak tam olarak durmadan önce bıçağı kaldırmayın.** Boşta dönen bıçağın kalkması ciddi kişisel yaralanmalara ve iş parçasına zarar gelmesine neden olabilir.
- **Testerinin destek kaidesinden daha uzun bir iş parçasını keserken, destek kaidesinin dışında kalan kısmın tamamının desteklendiğinden ve malzeme seviyesi ile aynı yüksekliğin korunduğundan emin olun.** İş parçasının doğru bir şekilde desteklenmesi bıçağın sıkışmasını ve kişisel yaralanmayla sonuçlanabilecek olası geri tepmelerin önlenmesine yardımcı olur. İş parçasını sabitlemek için sadece dikey ve/veya yatay vida yeterli olmayabilir. İnce malzemeler eğilebilir. Bıçağın sıkışmasını ve olası bir GERİTEPMİYİ önlemek için iş parçasının tüm uzunluğunun desteklendiğinden emin olun.

Dikey vida (Şek. 29)

Dikey vida iki konumdan birine yerleştirilebilir: kılavuz bariyerinin ya da tutucu donanımın (isteğe bağlı aksesuar) sol veya sağ kısmına. Vidalı çubuğu kılavuz bariyerindeki ya da tutucu donanımdaki deliğe yerleştirin ve vidalı çubuğu sabitlemek için vidayı sıkılayın.

Vidalı kolu iş parçasının kalınlığına ve şekline göre konumlandırın ve vidayı sıkarak vidalı kolu sabitleyin. Vidalı kolu sabitlemek için kullanılan vida kılavuz bariyerine temas ediyorsa vidayı, vidalı kolun diğer tarafına takın. Tutamağı tam olarak aşağı indirdiğinizde ve taşıyıcıyı yol boyunca çekerken veya iterken aletin hiçbir parçasının vidaya temas etmediğinden emin olun. Bazı parçalar vidaya temas ederse vidayı yeniden konumlandırın.

İş parçasını kılavuz bariyere tam olarak bastırın ve kaideyi döndürün. İş parçasını istenen kesim konumunda konumlandırın ve vidalı topuz ile sıkıştırarak sabitleyin.

⚠ UYARI:

- **Tüm işlemler sırasında iş parçası dönüş kaidesine ve kılavuz bariyerine vida ile sıkıca sabitlenmelidir.** İş parçası bariyere tam olarak sabitlenmezse malzeme kesim sırasında hareket ederek bıçağa zarar gelmesine neden olabilir, bu da malzemenin fırlamasına ve kontrolün kaybedilmesi sonucu ciddi kişisel yaralanmalara neden olabilir.

Yatay vida (isteğe bağlı aksesuar) (Şek. 30)

Yatay vida kaidenin sol tarafına monte edilebilir. Vidalı topuz saatin aksi yönde çevrilerek vida serbest bırakılır ve vida saftı hızlı bir şekilde içeri ve dışarı hareket edebilir. Vidalı topuz saat yönünde çevrilirse vida sabitlenir. İş parçasını kavramak için, çıkıntılı kısım en üst gelene kadar vidalı topuzu yavaşça saat yönünde çevirin ve ardından iyice sıkılayın. Vidalı topuz zorlanırsa veya saat yönünde çevrilirken dışarı çekilirse, çıkıntılı kısım bir açıda durabilir. Bu durumda, vida serbest kalana kadar vidalı topuzu saatin aksi yönde çevirin, sonra yine yavaşça saat yönünde çevirin.

Yatay vida ile sabitlenebilecek maksimum iş parçası genişliği 120 mm'dir.

⚠ UYARI:

- **İş parçasını ancak çıkıntılı kısım en üst konumdayken kavrayın.** Aksi takdirde iş parçası yeterli bir şekilde sabitlenemeyebilir. Bu da iş parçasının fırlamasına, bıçağa zarar gelmesine veya kontrolün kaybedilmesine, sonuç olarak da KİŞİSEL YARALANMALARLA sebep olabilir.

Tutucular ve tutucu donanımı

(isteğe bağlı aksesuarlar) (Şek. 31 ve 32)

Tutucular ve tutucu donanımı iş parçalarını yatay olarak desteklemenin pratik bir yolu olarak iki taraftan birine takılabilir. Bu parçaları şekilde gösterildiği gibi takın. Ardından, tutucuları ve tutucu donanımını sabitlemek için vidaları sıkılayın.

Uzun iş parçalarını keserken, tutucu-çubuk donanımını kullanın (isteğe bağlı aksesuar). İki tutucu donanımı ve iki adet 12 no.lu çubuk içerir.

⚠ UYARI:

- **Doğru bir kesim ve alet kontrolünün kaybedilmesi tehlikesinin önlemek için uzun iş parçalarını daima dönüş kaidesinin üst yüzeyi ile aynı hizada olacak şekilde destekleyin.** İş parçasının doğru bir şekilde desteklenmesi bıçağın sıkışmasının ve kişisel yaralanmayla sonuçlanabilecek olası geri tepmelerin önlenmesine yardımcı olur.

KULLANIM

ÖNEMLİ NOT:

- Kullanımdan önce, durdurucu pimi çekerek tutamağı alt konumdan çıkarın.
- Kesim sırasında tutamağa aşırı basınç uygulamayın. Fazla güç kullanılması motorun aşırı yüklenmesine ve/veya kesim etkinliğinin düşmesine neden olabilir. Yumuşak bir kesim ve bıçak hızında önemli bir düşüş yaşanmaması için tutamağı sadece gereken oranda bir güçle aşağı doğru itin.
- Kesimi gerçekleştirerek için tutamağa hafifçe bastırın. Tutamağa güç kullanılarak basılırsa veya yatay güç uygulanırsa, bıçak titreşir ve iş parçasında bir iz (testere izi) bırakır, kesimin hassasiyeti zarar görür.
- Kızaklı kesme sırasında, taşıyıcıyı durdurmadan kılavuz bariyerine doğru hafifçe itin. Kesim sırasında taşıyıcı hareketi durursa, iş parçasında bir iz kalır ve kesimin hassasiyeti zarar görür.

⚠ UYARI:

- **Anahtar açılmadan önce bıçağın iş parçasına veya başka bir yere temas etmediğinden emin olun.** Bıçak iş parçasına temas ederken alet çalıştırılırsa iş parçasında geri tepme ya da ciddi kişisel yaralanmalar oluşabilir.

1. Kalıp kesme (küçük iş parçalarını kesme) (Şek. 33)

52 mm yüksekliğe ve 97 mm genişliğe kadar olan iş parçaları aşağıdaki yöntemle kesilebilir.

Taşıyıcıyı kılavuz bariyeri boyunca itin ve taşıyıcıyı sabitlemek için kızak uçlarını sabitleyen iki sıkıştırma vidasını saat yönünde çevirerek gevşetin. İş parçasını uygun tipteki vidayla sabitleyin. Bıçak hiç bir şeyle temas etmeyecek konumdayken aleti çalıştırın ve bıçağı indirmeden önce tam hıza ulaşmasını bekleyin. Ardından, iş parçasını kesmek için bıçağı yavaşça en alt konuma indirin. Kesim tamamlandığında, aleti kapatın ve bıçağı en üst konuma döndürmeden önce BIÇAK TAM OLARAK DURANA KADAR BEKLEYİN.

⚠ UYARI:

- **Kızak uçlarını sabitleyen iki sıkıştırma vidasını iyice sıkılarak taşıyıcının kullanım sırasında hareket etmemesini sağlayın.** Kilitleme vidalarının yeterince sıkıştırılmaması kişisel yaralanmayla sonuçlanabilecek geri tepmelere neden olabilir.

2. Kızaklı (itmeli) kesme (geniş iş parçalarını kesme) (Şek. 34)

Taşıyıcının rahat bir şekilde kayması için, kızak uçlarını sabitleyen iki sıkıştırma vidasını saatin aksi yönde çevirerek gevşetin. İş parçasını uygun tipteki vidayla sabitleyin. Taşıyıcıyı tamamen kendinize doğru çekin. Bıçak hiç bir şeyle temas etmeyecek konumdayken aleti çalıştırın ve bıçağın tam hıza ulaşmasını bekleyin. Tutamağa bastırın ve TAŞIYICI KILAVUZ BARIYERİ BOYUNCA İŞ PARÇASINA DOĞRU İTİN. Kesim tamamlandığında, aleti kapatın ve bıçağı en üst konuma döndürmeden önce BIÇAK TAM OLARAK DURANA KADAR BEKLEYİN.

⚠ UYARI:

- **Kızaklı kesme yaparken, önce taşıyıcıyı tamamen kendinize doğru çekin ve kola bastırın, ardından taşıyıcıyı kılavuz bariyeri boyunca itin. Taşıyıcı tamamen size doğru çekilmeden kesimi asla başlatmayın.** Taşıyıcıyı tamamen kendinize doğru çekmeden kızaklı kesme yaparsanız beklenmeyen bir geri tepme meydana gelebilir ve ciddi kişisel yaralanmalar yaşanabilir.
- **Kızaklı bir kesim yaparken taşıyıcıyı kendinize doğru çekmeye asla çalışmayın.** Kesim sırasında taşıyıcıyı kendinize doğru çekmek beklenmeyen bir geri tepmeye ve ciddi kişisel yaralanmalara yol açabilir.
- Tutamak alt konumda kilitle iken asla kızaklı kesim yapmayın.
- **Bıçak dönerken, taşıyıcıyı sabitleyen topuzu asla gevşetmeyin.** Kesim sırasında taşıyıcının gevşek olması, beklenmeyen bir geri tepmeye ve ciddi kişisel yaralanmalara yol açabilir.

3. Gönyeli kesme

Önceki sayfalarda yer verilen "Gönye açısının ayarlanması" bölümüne bakın.

4. Eğimli kesme (Şek. 35)

Eğim açısını ayarlamak için kolu gevşetin ve testere bıçağını eğin (Önceki sayfalarda yer verilen "Gönye açısının ayarlanması" bölümüne bakın). Seçili eğim açısını güvenli bir şekilde sabitlemek için kolu iyice yeniden sıkıladığınızdan emin olun. İş parçasını bir vida ile sabitleyin. Taşıyıcının operatöre doğru geri çekildiğinden emin olun. Bıçak hiç bir şeyle temas etmeyecek konumdayken aleti çalıştırın ve bıçağın tam hıza ulaşmasını bekleyin. Bıçakla paralel olarak basınç uygulayarak tutamağı hafifçe en alt konuma indirin ve İŞ PARÇASINI KESMEK İÇİN TAŞIYICIYI KILAVUZ BARIYERİ BOYUNCA İTİN. Kesim tamamlandıığında, aleti kapatın ve bıçağı en üst konuma döndürmeden önce BİÇAK TAM OLARAK DURANA KADAR BEKLEYİN.

⚠ UYARI:

- **Bıçağı eğimli bir kesim için ayarladıktan sonra, aleti kullanmadan önce, taşıyıcının ve bıçağın kesilmek istenen alan boyunca serbest bir şekilde hareket ettiğinden emin olun.** Kesme işlemi sırasında taşıyıcının ya da bıçağın çalışmasının kesintiye uğraması geri tepmeye ve ciddi kişisel yaralanmalara neden olabilir.
- **Eğimli bir kesim yaparken ellerinizi bıçağın izlediği yoldan uzakta tutun.** Bıçağın açısı operatörün bıçağın kesim işlemi sırasında izleyeceği yol konusunda yanılmasına yol açabilir ve bıçakla temas ciddi kişisel yaralanmalara neden olur.
- **Bıçak tamamen durmadan yukarı kaldırılmamalıdır.** Eğimli bir kesim sırasında kesilen parça bıçağın önüne gelebilir. Bıçak dönerken yukarı kaldırılırsa kesilen parça bıçaktan çıkabilir ve malzemenin parçalanarak ciddi yaralanmalara yol açmasına neden olabilir.

ÖNEMLİ NOT:

- Tutamağı bastırırken bıçak ile paralel bir basınç uygulayın. Dönüş kaidesine dik olarak basınç uygulanırsa ya da bir kesim sırasında basıncın yönü değiştirilirse, kesimin hassasiyeti zarar görür.

⚠ DİKKAT:

- (Sadece Avrupa ülkeleri için) Sola eğimli kesimler yaparken alt bariyeri daima dışarı doğru ayarlayın.

5. Birleşik kesim

Birleşik kesim, bir iş parçası üzerinde gönye açılı kesim yapılırken aynı anda eğimli açılı yapılması işlemidir. Birleşik kesim, tabloda gösterilen açılarda gerçekleştirilebilir.

Gönye kesme	Eğim açısı
Sol ve Sağ 45°	Sol 0° – 45°
Sağ 50°	Sol 0° – 40°
Sağ 55°	Sol 0° – 30°
Sağ 57°	Sol 0° – 25°

006393

Birleşik kesim yaparken, "Kalıp kesme", "Kızaklı (itmeli) kesme", "Gönyeli kesme" ve "Eğimli kesme" başlıklarında verilen açıklamalara başvurun.

6. Kartonpiyer ve iç bükey kartonpiyer kesme

Kartonpiyer ve iç bükey kartonpiyerler birleşik bir gönye kesme makinesinde dönüş kaidesinin üzerine düz yatırılarak kesilebilir.

Yaygın olarak kullanılan iki tip kartonpiyer, bir tip de içbükey kartonpiyer uygulaması vardır. Bunlar; 52/38° duvar açılı kartonpiyer, 45° duvar açılı kartonpiyer ve 45° duvar açılı içbükey kartonpiyer. Çizimlere bakın.

(Şek. 36)

İle gösterilen "iç" 90° köşelere uyan kartonpiyer ve içbükey kartonpiyer bağlantıları (Şek. 37 ve 38'de (1) ve (2)), ve ile gösterilen "Dış" 90° köşelere uyan bağlantılara yer verilmektedir (Şek. 37 ve 38'de ise (3) ve (4)).

Ölçüm

Duvarın uzunluğunu ölçün ve duvar birleşim kenarını istenen uzunlukta kesmek için iş parçasını tezgah üzerinde ayarlayın. Kesilen iş parçasının uzunluğunun parçasının arkasından ölçüldüğünde duvarın uzunluğu ile eşit olduğundan her zaman emin olun. Kesim açısı için kesim uzunluğunu ayarlayın. Testere açısını kontrol etmek için deneme kesimleri yapmak üzere mutlaka birkaç parça kullanın. Dış bükey ve iç bükey kartonpiyer kesimleri sırasında, eğim açısını ve gönye açısını tablo (A)'da gösterildiği gibi ayarlayın ve kartonpiyerleri tablo (B)'de gösterildiği gibi testere kaidesinin üst yüzeyine konumlandırın.

Sola eğimli kesimlerde

Tablo (A)

	Şek. 37 ve 38'deki kartonpiyer konumu	Eğim açısı		Gönye kesme	
		52/38° tipi	45° tipi	52/38° tipi	45° tipi
İç köşe için	(1)	Sol 33,9°	Sol 30°	Sağ 31,6°	Sağ 35,3°
	(2)			Sol 31,6°	Sol 35,3°
Dış köşe için	(3)			Sağ 31,6°	Sağ 35,3°
	(4)			Sağ 31,6°	Sağ 35,3°

006361

Tablo (B)

	Şek. 37 ve 38'deki kartonpiyer konumu	Kılavuz bariyerine dayandırılan kartonpiyer kenarı	Tamamlanmış parça
İç köşe için	(1)	Tavana temas edecek kenar kılavuz bariyerine dayanmalıdır.	Bitirilen parça bıçağın Sol tarafında yer alacaktır.
	(2)	Tavana temas edecek kenar kılavuz bariyerine dayanmalıdır.	
Dış köşe için	(3)	Tavana temas edecek kenar kılavuz bariyerine dayanmalıdır.	Bitirilen parça bıçağın Sağ tarafında yer alacaktır.
	(4)	Tavana temas edecek kenar kılavuz bariyerine dayanmalıdır.	

006362

Örneğin:**Şek. 37 ve 38'deki (1) no.lu konum için 52/38° dış büyük kartonpiyer keserken:**

- Eğim açısı ayarını 33,9° SOLA eğin ve ayarlayın.
- Gönye açısı ayarını 31,6° SAĞA ayarlayıp sabitleyin.
- Dış büyük kartonpiyeri geniş arka (görünmeyen) yüzeyi dönüş kaidesinin üzerine, TAVANA TEMAS EDECEK KENARI makine üzerindeki kılavuz bariyerine dayanacak şekilde yerleştirin.
- Kesim yapıldıktan sonra kullanılacak parçalardan biten kısım her zaman bıçağın SOL tarafında olacak.

Sağa eğimli kesimlerde

Tablo (A)

	Şek. 37 ve 38'deki kartonpiyer konumu	Eğim açısı		Gönye kesme	
		52/38° tipi	45° tipi	52/38° tipi	45° tipi
İç köşe için	(1)	Sağ 33,9°	Sağ 30°	Sağ 31,6°	Sağ 35,3°
	(2)			Sol 31,6°	Sol 35,3°
Dış köşe için	(3)			Sağ 31,6°	Sağ 35,3°
	(4)			Sağ 31,6°	Sağ 35,3°

006363

Tablo (B)

	Şek. 37 ve 38'deki kartonpiyer konumu	Kılavuz bariyerinin karşısındaki kartonpiyer kenarı	Tamamlanmış parça
İç köşe için	(1)	Tavana temas edecek kenar kılavuz bariyerine dayanmalıdır.	Bitirilen parça bıçağın Sağ tarafında yer alacaktır.
	(2)	Tavana temas edecek kenar kılavuz bariyerine dayanmalıdır.	
Dış köşe için	(3)	Tavana temas edecek kenar kılavuz bariyerine dayanmalıdır.	Bitirilen parça bıçağın Sol tarafında yer alacaktır.
	(4)	Tavana temas edecek kenar kılavuz bariyerine dayanmalıdır.	

006364

Örneğin:

Şek. 37 ve 38'deki (1) no.lu konum için 52/38° dış büyük kartonpiyer keserken:

- Eğim açısı ayarını 33,9° SAĞA eđin ve ayarlayın.
- Gönve açısı ayarını 31,6° SAĞA ayarlayıp sabitleyin.
- Dış büyük kartonpiyeri geniş arka (görünmeyen) yüzeyi dönüş kaidesinin üzerine, DUVARA TEMAS EDECEK KENARI makine üzerindeki kılavuz bariyerine dayanacak şekilde yerleřtirin.
- Kesim yapıldıktan sonra kullanılacak parçalardan biten kısım her zaman bıçađın SAĞ tarafında olacak.

7. Aħşap kaplama (Şek. 39)

Aħşap kaplama kullanımı iş parçalarında kıymıksız kesim yapılmasına yardımcı olur. Kılavuz bariyerdeki delikleri kullanarak kılavuz bariyere bir aħşap kaplama takın.

Tavsiye edilen bir aħşap kaplamanın boyutlarını öğrenmek için ilgili Őekle bakın.

⚠ DİKKAT:

- Aħşap kaplama olarak eřit kalınlıktaki düz bir tahtayı kullanın.

⚠ UYARI:

- **Aħşap kaplamayı kılavuz bariyerine monte etmek için vidaları kullanın. Vidalar, vida başları aħşap kaplamanın yüzeyinin altında kalacak şekilde takılmalıdır, böylece kesilen malzemenin konumuna etki etmezler.** Kesilen malzemenin yanlış hizalanması kesim işlemi sırasında beklenmeyen harekete, bu da kontrolün kaybedilmesine ve ciddi kişisel yaralanmalara sebep olabilir.

ÖNEMLİ NOT:

- Aħşap kaplama takılı olduđunda, dönüş kaidesini tutamak ařađı konumdayken çevirmeyin. Bıçađa ve/veya aħşap kaplamaya zarar gelebilir.

8. Aynı uzunlukta yinelenen kesimler yapma (Şek. 40)

220 mm ile 385 mm arasında aynı uzunlukta çok sayıda parça keserken, ayar plakasının kullanımı (isteđe bađlı aksesuar) daha verimli bir kullanımı sađlayacaktır. Ayar plakasını Őekilde gösterildiđi gibi tutucuya (isteđe bađlı aksesuar) monte edin.

İş parçanızın kesim çizgisini, kesim tahtasındaki çentiđin sađ veya sol tarafı ile hizalayın ve iş parçasının hareket etmesini önlerken ayar plakasını iş parçasının ucu ile aynı hizaya getirin. Ardından ayar plakasını vida ile sabitleyin. Ayar plakası kullanılmadıđında, vidayı gevşetin ve ayar plakasını kaldırın.

NOT:

- Tutucu-çubuk düzeneđinin kullanımı (isteđe bađlı aksesuar) yaklaşık 2.200 uzunluđa kadar yinelenen kesim yapmanızı sađlar.

9. Oluk açma (Şek. 41)

Dado kesim yapmak için ařađıdaki prosedür izlenmelidir:

Ayar vidasını kullanarak bıçađın alt limit pozisyonunu ve bıçađın kesim derinliđini kısıtlamak için durdurucu kolu ayarlayın. Önceki sayfalarda yer verilen "Durdurucu kol" bölümüne bakın.

Bıçađın alt limit konumunu ayarladıktan sonra, Őekilde gösterildiđi gibi kızaklı (itmeli) kesim kullanarak iş parçasının eni boyunca paralel oluklar açın. Ardından, oluklar arasında iş parçası malzemelerini bir keski ile kaldırın.

⚠ UYARI:

- **Bu tip kesimleri, daha geniş bıçaklar ya da dado bıçaklar kullanarak gerçekleřtirmeye çalışmayın.** Daha geniş bir bıçakla ya da dado bıçakla oluk açmaya çalışmak beklenmeyen kesim sonuçlarına ve ciddi kişisel yaralanmalara yol açabilecek geri tepmelere neden olabilir.
- **Oluk açma dışındaki işlemler sırasında durdurucu kolu orijinal konumuna döndürdüđünüzden emin olun.** Durdurucu kol yanlış konumdayken kesim yapmaya çalışmak beklenmeyen kesim sonuçlarına ve ciddi kişisel yaralanmalara yol açabilecek geri tepmelere neden olabilir.

Aletin taşınması (Şek. 42 ve 43)

Batarya kartuşunun çıkarıldıđından emin olun. Bıçađı 0° Őev açısında ve döner tablayı tam sađ gönve açısı konumunda sabitleyin. Sürgü çubuklarını alt sürgü çubuđu arabanın tamamen operatöre dođru çekilmiş olduđu konumda ve üst çubuklar arabanın tamamen kılavuz kenarlıđa dođru itilmiş olduđu konumda kilitleyeceđi Őekilde sabitleyin. Tutamađı tam ařađı indirin ve durdurucu pimi iterek alt konumda kilitleyin.

Aleti, alet kaidesinin her iki yanından tutarak, Őekildeki gibi taşıyın. Tutucuları, toz torbasını ve benzeri parçaları çıkarırsanız aleti daha kolay taşıyabilirsiniz.

⚠ DİKKAT:

- Aleti taşımadan önce hareket eden tüm parçaları sabitleyin. Aletin kısımları taşıma sırasında hareket eder ya da kayarsa, kontrolün ya da dengeğin kaybedilmesi sonucu ciddi kişisel yaralanmalar yaşanabilir.

⚠ UYARI:

- **Durdurucu pim sadece taşıma ve saklama amacıyla kullanılmalıdır, hiçbir kesim işlemi sırasında asla kullanılmamalıdır.** Kesim işlemleri sırasında durdurucu pimin kullanılması testere bıçađının beklenmedik Őekilde hareket etmesine, bu da geri tepme ya da ciddi kişisel yaralanmalara yol açabilir.

BAKIM

⚠ DİKKAT:

- Muayene ya da bakım yapmadan önce aletin kapalı ve batarya kartuşunun çıkartılmış olduđundan daima emin olun.

⚠ UYARI:

- **En iyi ve en güvenli performans için bıçađın daima temiz ve keskin olduđundan emin olun.** Kör ve/veya kirlı bir bıçakla kesim yapmaya çalışmak, geri tepmeye yol açabilir ya da ciddi kişisel yaralanmalara sonuçlanabilir.

ÖNEMLİ NOT:

• Benzin, tiner, alkol ve benzeri maddeleri kesinlikle kullanmayın. Renk deđiřimi, deformasyon veya çatlaklar oluşabilir.

Kesim açısının ayarlanması

Bu alet fabrikada dikkatli bir şekilde ayarlanmış ve hizalanmıştır fakat kötü bir şekilde taşımak hizalamayı bozabilir. Aletiniz doğru bir şekilde hizalanmamışsa aşağıdakileri gerçekleştirin:

1. Gönye kesme

Taşıyıcıyı kılavuz bariyeri boyunca itin ve taşıyıcıyı sabitlemek için iki sıkıştırma vidasını sıkın.

Dönüş kaidesini sabitleyen kavramayı gevşetin. Dönüş kaidesini, işaretçi gönye ölçeği üzerinde 0°'yi gösterecek şekilde döndürün. Ardından dönüş kaidesini saat yönünde ve saatin aksi yönde çevirerek 0° gönye çentiğine oturmasını sağlayın. (İşaretçi 0°'yi göstermiyorsa olduğu gibi bırakın.) Altıgen anahtarını kullanarak kılavuz bariyeri sabitleyen altıgen soket civatalarını gevşetin. **(Şek. 44)**

Tutamağı tam aşağı indirin ve durdurucu pimi iterek alt konumda kilitleyin. Üçgen cetvel, ayarlı gönye vb. yardımıyla bıçağın kenarını kılavuz bariyerin ön yüzüyle eşitleyin. Ardından sağ taraftan başlayarak sırayla kılavuz bariyer üzerindeki altıgen soket civatalarını iyice sıkılayın. **(Şek. 45)**

Gönye ölçeği üzerindeki işaretçinin 0°'yi gösterdiğinden emin olun. İşaretçi 0°'yi işaretlemiyorsa, işaretçiyi sabitleyen vidayı gevşetin ve işaretçi 0°'yi gösterecek şekilde işaretçiyi ayarlayın. **(Şek. 46)**

2. Eğim açısı

1. 0° eğim açısı

Taşıyıcıyı kılavuz bariyeri boyunca itin ve taşıyıcıyı sabitlemek için iki sıkıştırma vidasını sıkın. Tutamağı tam aşağı indirin ve durdurucu pimi iterek alt konumda kilitleyin.

Aletin arkasındaki kolu gevşetin.

Eğimi sağa doğru döndürmek için saatin aksi yönde iki veya üç dönüş yapmalı, 0° eğimli açığı ayar civatasını (alt civata) ayarlanabilir. **(Şek. 47)**

0° eğim açısı ayarlama civata saat yönünde çevirerek, vb-kare üçgen kuralı kullanılarak dönüş tabanının üst yüzeyi ile bıçağın dikkatlice kare yan çalışsın. **(Şek. 48)**

Kolunuzdaki notada işaretçinin ölçeği üzerindeki işleyişi sırasında işaretçinin 0° açısında olduğundan emin olun. İşaretçi 0°'yi işaretlemiyorsa, işaretçiyi sabitleyen vidayı gevşetin ve işaretçi 0°'yi gösterecek şekilde işaretçiyi ayarlayın. **(Şek. 49)**

2. 45° eğim açısı

45° eğimli açığı sadece 0° eğimli açığı ayarını yaptıktan sonra kullanabilirsiniz. Sola 45° eğimli açığı ayarlamak için, kolu gevşetin ve bıçağı tam olarak sola doğru eğin. Kol tutucu üzerindeki işaretçinin ölçeği üzerindeki işleyişi sırasında işaretçinin 45° açısında olduğundan emin olun. İşaretçi 45°'yi göstermiyorsa, işaretçi 45° açığı gösterene kadar, kolun sağ tarafındaki 45° eğimli açığı ayar civatasını (üst civata) döndürün. **(Şek. 50)**

Karbon fırçaların değiştirilmesi (Şek. 51 ve 52)

Karbon fırçaları düzenli olarak çıkarıp kontrol edin. Aşınma limit işaretine ulaşınca yenisiyle değiştirin. Karbon fırçaları temiz olmalı ve tutucular içinde rahatça hareket edebilmelidir. Her iki karbon fırça da aynı zamanda değiştirilmelidir. Sadece birbirinin aynısı olan karbon fırçalar kullanın.

Fırça tutucu kapaklarını çıkarmak için bir tornavida kullanın. Aşınan karbon fırçaları çıkarın, yenilerini takın ve fırça tutucu kapakları sabitleyin.

Kullanımdan sonra

- Kullanımdan sonra, parçacıkları ve alete yapışan tozları nemli bir bez veya benzeri ile temizleyin. "Bıçak siperi" bölümünde anlatılan talimatlar uyarınca bıçak siperini temiz tutun. Paslanmayı önlemek için kızıllı bölümleri makine yağı ile yağlayın.
- Aleti saklarken, kızak uçları dönüş kaidesinden geçecek şekilde taşıyıcıyı kendinize doğru tamamen çekin.

Aleti EMNİYETLİ ve ÇALIŞMAYA HAZIR durumda tutmak için onarımlar, başka her türlü bakım ve ayarlamalar daima Makita yedek parçaları kullanılarak Makita yetkili servis merkezleri tarafından yapılmalıdır.

İSTEĞE BAĞLI AKSESUARLAR

⚠ UYARI:

- **Bu el kitabında belirtilen Makita aletiniz ile kullanılmaları için bu aksesuarlar ve ek parçalar tavsiye edilmektedir.** Başka aksesuar ve ek parçaların kullanımı ciddi kişisel yaralanmalara yol açabilir.
- **Makita aksesuarları ya da ek parçaları yalnızca belirtilmiş olan kullanım amaçlarına uygun olarak kullanın.** Bir aksesuarını ya da ek parçanın hatalı kullanımı ciddi kişisel yaralanmalara yol açabilir.

Bu aksesuarlarla ilgili daha fazla bilgiye ihtiyaç duyarsanız bulunduğunuz yerdeki yetkili Makita servisine başvurun.

- Karbid uçlu testere bıçakları
- Vida tertibatı (Yatay vida)
- Dikey vida
- Tutucu seti
- Tutucu mekanizması
- Tutucu çubuk mekanizması
- Ayar plakası
- Toz torbası
- Üçgen cetvel
- Altıgen anahtar
- Makita marka çeşitli batarya ve kartuşlar

NOT:

- Listedeki parçaların bazıları alet paketi içerisinde standart aksesuar olarak dahil edilmiş olabilir. Bunlar ülkeden ülkeye farklılık gösterebilir.

Gürültü

EN61029 standardına göre belirlenen tipik A-ağırlıklı gürültü düzeyi:

- Ses basıncı seviyesi (L_{pA}): 88 dB (A)
- Ses gücü düzeyi (L_{WA}): 98 dB (A)
- Belirsizlik (K): 3 dB (A)

Kulak koruyucuları takın

ENG900-1

Titreşim

EN61029 standardına göre hesaplanan titreşim toplam değeri (üç eksenli vektör toplamı):

- Titreşim emisyonu (a_h): 2,5 m/s² veya daha az
- Belirsizlik (K): 1,5 m/s²

ENG901-1

- Beyan edilen titreşim emisyon değeri standart test yöntemine uygun şekilde ölçülmüştür ve bir aleti bir başkasıyla karşılaştırmak için kullanılabilir.
- Beyan edilen titreşim emisyon değeri bir ön maruz kalma değerlendirmesi olarak da kullanılabilir.

⚠ UYARI:

- Bu elektrikli aletin gerçek kullanımı sırasındaki titreşim emisyonu aletin kullanım biçimlerine bağlı olarak beyan edilen emisyon değerinden farklı olabilir.
- Gerçek kullanım koşullarındaki maruz kalmanın bir tahmini hesaplaması temelinde operatörü koruyacak güvenlik önlemlerini mutlaka belirleyin (çalışma döngüsü içerisinde aletin kapalı olduğu ve aktif durumda olmasının yanı sıra boşta çalıştığı zamanlar gibi, bütün zaman dilimleri göz önünde bulundurulurak değerlendirilmelidir).

Sadece Avrupa ülkeleri için**EC Uygunluk Beyanı****Biz Makita Corporation beyan ederiz ki aşağıdaki makine(ler):**

Makine Adı:

Akülü Kızaklı Birleşik Gönyeburun Testere

Model No./ Tipi: DLS713

aşağıdaki Avrupa Direktiflerine uygundur:

2006/42/EC

Aşağıdaki standartlara veya standartlaştırılmış belgelere uygun olarak imal edilmişlerdir:

EN61029

2006/42/EC uyumluluğuna ilişkin teknik dosyaya şuradan ulaşılabilir:

Makita, Jan-Baptist Vinkstraat 2, 3070, Belçika

30.6.2014



Yasushi Fukaya

Müdür

Makita, Jan-Baptist Vinkstraat 2, 3070, Belçika

Makita Jan-Baptist Vinkstraat 2, 3070, Belgium
Makita Corporation Anjo, Aichi, Japan