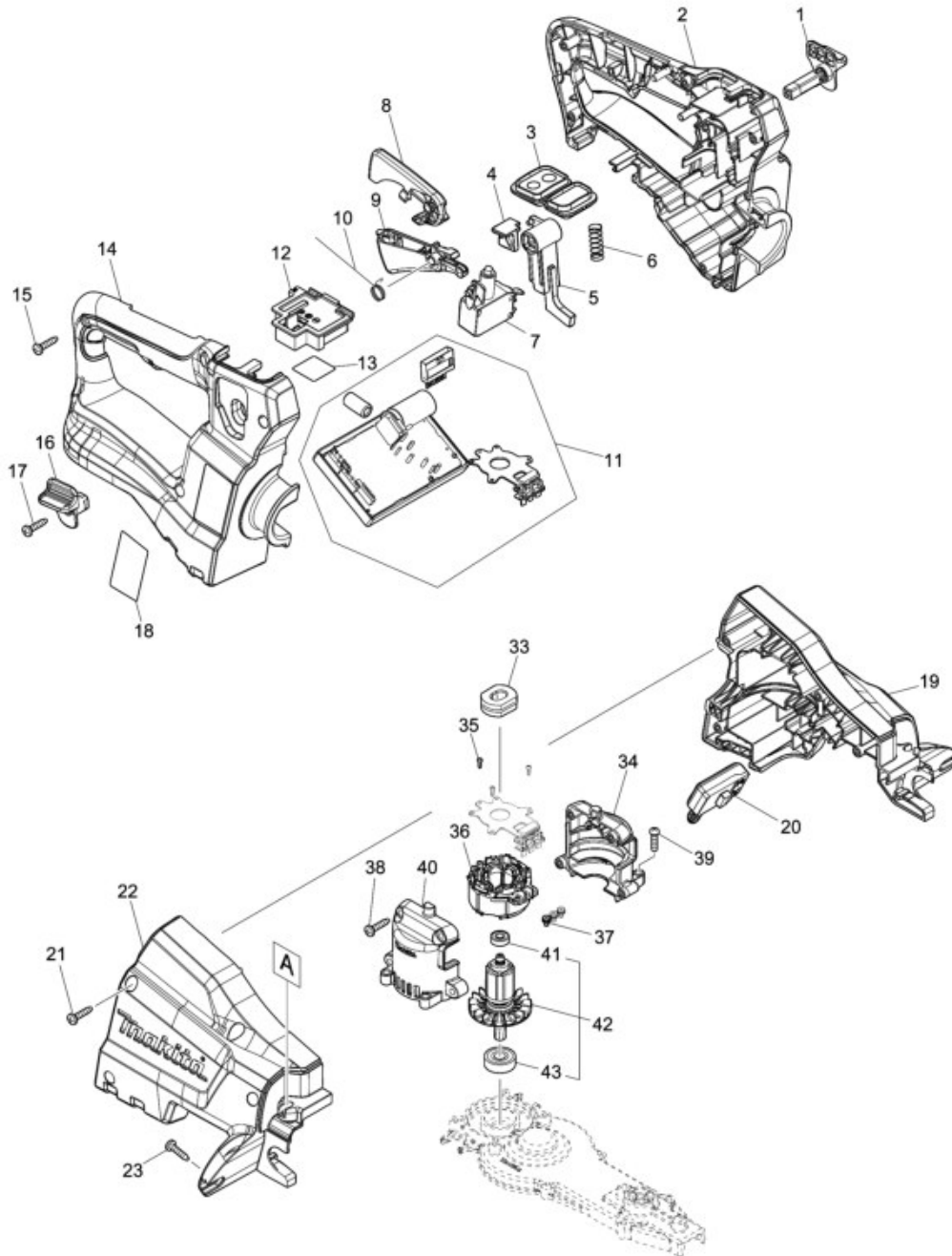
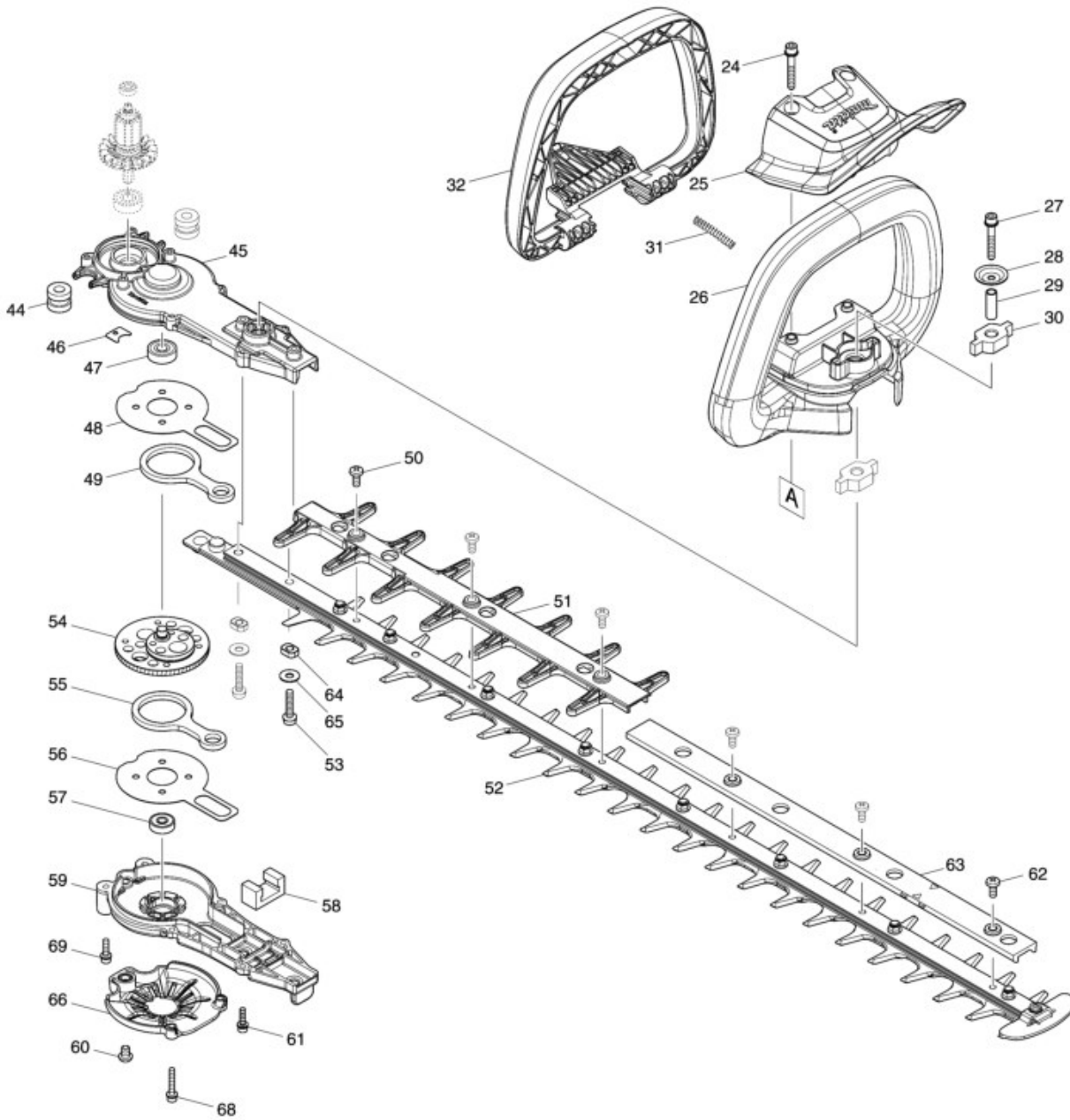


Model No.DUH751 750MM CORDLESS HEDGE TRIMMER



Model No.DUH751 750MM CORDLESS HEDGE TRIMMER



Model No.DUH751 750MM CORDLESS HEDGE TRIMMER

| Position | Artikel-Nr. | Beschreibung             | I/C | Stk. | New/Old | Opt. 1 | Opt. 2 | Hinweis |
|----------|-------------|--------------------------|-----|------|---------|--------|--------|---------|
| 001      | 458406-0    | LOCK LEVER L             |     | 1    |         |        |        |         |
| 002      | 183J51-9    | HANDLE SET               |     | 1    |         |        |        |         |
| C10      | 263005-3    | RUBBER PIN 6             |     | 2    |         |        |        |         |
| D10      |             | INC. 14                  |     |      |         |        |        |         |
| 003      | 140A04-7    | SUB CONTROLLER COMPLETE  |     | 1    |         |        |        |         |
| C10      | 806G56-1    | INDICATION LABEL         |     | 1    |         |        |        |         |
| C20      | 817C42-3    | SWITCH LABEL             |     | 1    |         |        |        |         |
| 004      | 458570-7    | SLIDER                   |     | 1    |         |        |        |         |
| 005      | 458405-2    | LOCK ARM                 |     | 1    |         |        |        |         |
| 006      | 234204-4    | COMPRESSION SPRING 8     |     | 1    |         |        |        |         |
| 007      | 650781-2    | SWITCH C3JW-6B-P         |     | 1    |         |        |        |         |
| 008      | 458403-6    | LOCK OFF LEVER           |     | 1    |         |        |        |         |
| 009      | 458404-4    | SWITCH LEVER R           |     | 1    |         |        |        |         |
| 010      | 232454-5    | TORSION SPRING 10        |     | 1    |         |        |        |         |
| 011      | 620818-9    | CONTROLLER               |     | 1    | *       |        |        |         |
| 011-1    | 620818-9    | CONTROLLER               | O   | 1    |         |        |        |         |
| 012      | 644809-6    | TERMINAL                 |     | 1    |         |        |        |         |
| 013      | 854K25-0    | DUH751 SERIAL NO. LABEL  |     | 1    |         |        |        |         |
| 014      | 183J51-9    | HANDLE SET               |     | 1    |         |        |        |         |
| C10      | 263005-3    | RUBBER PIN 6             |     | 2    |         |        |        |         |
| D10      |             | INC. 2                   |     |      |         |        |        |         |
| 015      | 266326-2    | TAPPING SCREW 4X18       |     | 6    |         |        |        |         |
| 016      | 458407-8    | LOCK LEVER R             |     | 1    |         |        |        |         |
| 017      | 266326-2    | TAPPING SCREW 4X18       |     | 1    |         |        |        |         |
| 018      | 854K19-5    | DUH751 NAME PLATE        |     | 1    |         |        |        |         |
| 019      | 183K21-4    | HOUSING SET              |     | 1    |         |        |        |         |
| C10      | 252143-6    | COLLARED HEX.NUT M5-8    |     | 2    |         |        |        |         |
| C20      | 424344-8    | DAMPER                   |     | 4    |         |        |        |         |
| D10      |             | INC. 22                  |     |      |         |        |        |         |
| 020      | 651083-9    | SWITCH C3XA-1PSPM        |     | 1    |         |        |        |         |
| 021      | 266326-2    | TAPPING SCREW 4X18       |     | 4    |         |        |        |         |
| 022      | 183K21-4    | HOUSING SET              |     | 1    |         |        |        |         |
| C10      | 252143-6    | COLLARED HEX.NUT M5-8    |     | 2    |         |        |        |         |
| C20      | 424344-8    | DAMPER                   |     | 4    |         |        |        |         |
| D10      |             | INC. 19                  |     |      |         |        |        |         |
| 023      | 266326-2    | TAPPING SCREW 4X18       |     | 2    |         |        |        |         |
| 024      | 265182-7    | + PAN HEAD SCREW M5X25   |     | 2    |         |        |        |         |
| 025      | 458399-1    | PROTECTOR                |     | 1    |         |        |        |         |
| 026      | 458400-2    | FRONT GRIP E             |     | 1    |         |        |        |         |
| 027      | 251476-6    | H.S.H.BOLT M5X35 WITH WR |     | 1    |         |        |        |         |
| 028      | 253416-0    | DISH WASHER 5            |     | 1    |         |        |        |         |
| 029      | 257678-2    | SLEEVE 6                 |     | 1    |         |        |        |         |

Please order the parts with part number.

Print Date 2/9/2020

Model No.DUH751 750MM CORDLESS HEDGE TRIMMER

| Position | Artikel-Nr. | Beschreibung                 | I/C | Stk. | New/Old | Opt. 1 | Opt. 2 | Hinweis |
|----------|-------------|------------------------------|-----|------|---------|--------|--------|---------|
| 030      | 422260-8    | RUBBER SLEEVE 8              |     | 2    |         |        |        |         |
| 031      | 233222-9    | COMPRESSION SPRING 5         |     | 1    | *       |        |        |         |
| 031-1    | 233222-9    | COMPRESSION SPRING 5         | O   | 2    |         |        |        |         |
| 032      | 458402-8    | SWITCH LEVER F               |     | 1    |         |        |        |         |
| 033      | 422261-6    | RUBBER SLEEVE                |     | 1    |         |        |        |         |
| 034      | 183J52-7    | MOTOR HOUSING SET            |     | 1    | *       |        |        |         |
| D10      |             | INC. 40                      |     |      | *       |        |        |         |
| 034-1    | 183L66-8    | MOTOR HOUSING SET            | <   | 1    |         |        |        |         |
| D10      |             | INC. 40                      |     |      |         |        |        |         |
| 035      | 266490-9    | TAPPING SCREW PT 2X6         |     | 3    |         |        |        |         |
| 036      | 629352-6    | STATOR                       |     | 1    |         |        |        |         |
| 037      | 652069-6    | FLAT HEAD SCREW M3X6         |     | 3    |         |        |        |         |
| 038      | 266326-2    | TAPPING SCREW 4X18           |     | 4    |         |        |        |         |
| 039      | 265178-8    | PAN HEAD SCREW M4X16         |     | 4    |         |        |        |         |
| 040      | 183J52-7    | MOTOR HOUSING SET            |     | 1    | *       |        |        |         |
| D10      |             | INC. 34                      |     |      | *       |        |        |         |
| 040-1    | 183L66-8    | MOTOR HOUSING SET            | <   | 1    |         |        |        |         |
| D10      |             | INC. 34                      |     |      |         |        |        |         |
| 041      | 211157-4    | BALL BEARING 695ZZ           |     | 1    |         |        |        |         |
| 042      | 519522-4    | ROTOR ASSY                   |     | 1    | *       |        |        |         |
| D10      |             | INC. 41,43                   |     |      | *       |        |        |         |
| 042-1    | 519557-5    | ROTOR ASSY                   | <   | 1    | *       |        |        |         |
| D10      |             | INC. 41,43                   |     |      | *       |        |        |         |
| 042-2    | 510450-6    | ROTOR ASSY                   | <   | 1    |         |        |        |         |
| D10      |             | INC. 41,43                   |     |      |         |        |        |         |
| 043      | 211032-4    | BALL BEARING 608ZZ           |     | 1    | *       |        |        |         |
| 043-1    | 210005-4    | BALL BEARING 608DDW          | <   | 1    |         |        |        |         |
| 044      | 422259-3    | RUBBER SLEEVE 8              |     | 2    |         |        |        |         |
| 045      | 140F22-5    | GEAR HOUSING COMPLETE        |     | 1    | *       |        |        |         |
| C10      | 424344-8    | DAMPER                       |     | 1    | *       |        |        |         |
| 045-1    | 136278-0    | GEAR CASE ASSEMBLY           | S   | 1    |         |        |        |         |
| C10      | 424344-8    | DAMPER                       |     | 1    |         |        |        |         |
| C20      | 213961-7    | O RING 22                    |     | 1    |         |        |        |         |
| 046      | 458417-5    | GASKET                       |     | 1    | *       |        |        |         |
| 047      | 211032-4    | BALL BEARING 608ZZ           |     | 1    |         |        |        |         |
| 048      | 347361-0    | FRICTION PLATE               |     | 1    |         |        |        |         |
| 049      | 347362-8    | CONNECTING ROD               |     | 1    |         |        |        |         |
| 050      | 915211-3    | BINDING HEAD SCREW M5X12     |     | 3    |         |        |        |         |
| 051      | 458408-6    | GUARD E                      |     | 1    |         |        |        |         |
| 052      | 199100-2    | SHEAR BLADE ASSEMBLY 750 SET |     | 1    | *       |        |        |         |
| C10      | 345205-8    | BRANCH CATCHER               |     | 1    | *       |        |        |         |
| C20      | 911208-0    | PAN HEAD SCREW M5X10         |     | 1    | *       |        |        |         |

Please order the parts with part number.

Print Date 2/9/2020

Model No.DUH751 750MM CORDLESS HEDGE TRIMMER

| Position | Artikel-Nr. | Beschreibung                 | I/C | Stk. | New/Old | Opt. 1 | Opt. 2 | Hinweis |
|----------|-------------|------------------------------|-----|------|---------|--------|--------|---------|
| 052-1    | 199100-2    | SHEAR BLADE ASSEMBLY 750 SET | <   | 1    |         |        |        |         |
| C10      | 345205-8    | BRANCH CATCHER               |     | 1    |         |        |        |         |
| C20      | 911208-0    | PAN HEAD SCREW M5X10         |     | 1    |         |        |        |         |
| 053      | 265182-7    | + PAN HEAD SCREW M5X25       |     | 2    |         |        |        |         |
| 054      | 140B79-2    | GEAR COMPLETE                |     | 1    |         |        |        |         |
| 055      | 347362-8    | CONNECTING ROD               |     | 1    |         |        |        |         |
| 056      | 347361-0    | FRICTION PLATE               |     | 1    |         |        |        |         |
| 057      | 211499-6    | BALL BEARING 626ZZ           |     | 1    |         |        |        |         |
| 058      | 443159-4    | SEAL                         |     | 1    |         |        |        |         |
| 059      | 140B62-9    | GEAR HOUSING COVER COMPLETE  |     | 1    |         |        |        |         |
| 060      | 266559-9    | H.S.BUTTON HEAD BOLT M6X4    |     | 1    |         |        |        |         |
| 061      | 265490-6    | HEX. SOCKET HEAD BOLT M4X16  |     | 6    | *       |        |        |         |
| 061-1    | 266437-3    | HEX. SOCKET HEAD BOLT M4X16  | <   | 6    |         |        |        |         |
| 062      | 915211-3    | BINDING HEAD SCREW M5X12     |     | 3    |         |        |        |         |
| 063      | 458629-0    | SPACER 750                   |     | 1    |         |        |        |         |
| 064      | 257439-0    | SLEEVE 5                     |     | 2    |         |        |        |         |
| 065      | 253804-1    | FLAT WASHER 6                |     | 2    |         |        |        |         |
| A01      | 458415-9    | BLADE COVER 750              |     | 1    |         |        |        |         |
| A02      | 195246-2    | SAFETY GOGGLE                |     | 1    | *       |        |        |         |

Please order the parts with part number.

Print Date 2/9/2020