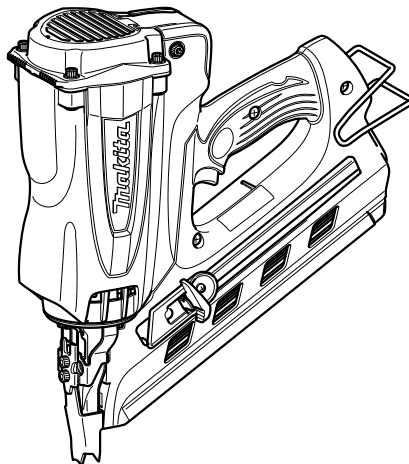




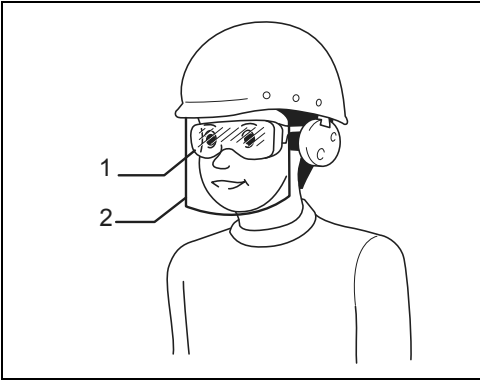
GB	Cordless Clipped Head Framing Nailer	Instruction manual
F	Cloueuse à charpente clous à tête tronquée sans fil	Manuel d'instructions
D	Gas-Streifen-Nagler	Betriebsanleitung
I	Chiodatrice a batteria per chiodi con testa a semiluna	Istruzioni per l'uso
NL	Accunagelpistool voor skeletbouw	Gebruiksaanwijzing
E	Clavadora inalámbrica de clavos de cabeza recortada para estructuras	Manual de instrucciones
P	Pistola de pregos de cabeça cortada sem fio	Manual de instruções
DK	Ledningsfri sømpistol til søm m. reduceret hoved	Brugsanvisning
GR	Καρφωτικό εργαλείο μπαταρίας με πρόκα συντετημημένης κεφαλής	Οδηγίες χρήσης

GN900



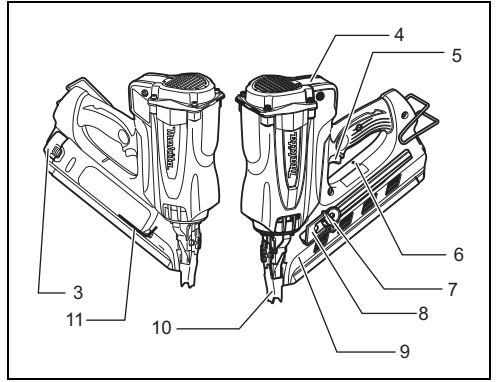
009440





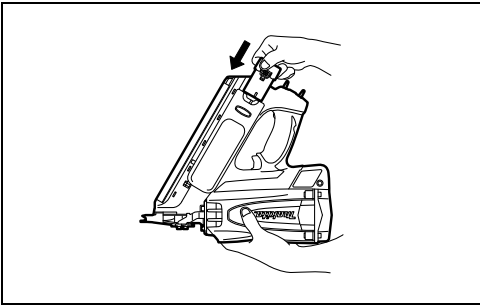
1

000114



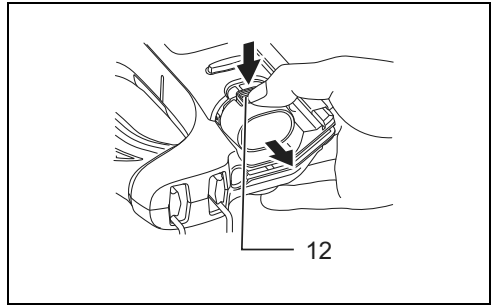
2

009459



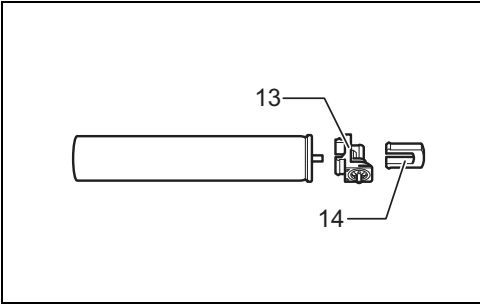
3

009441



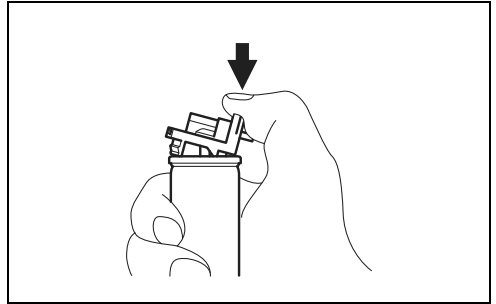
4

009444



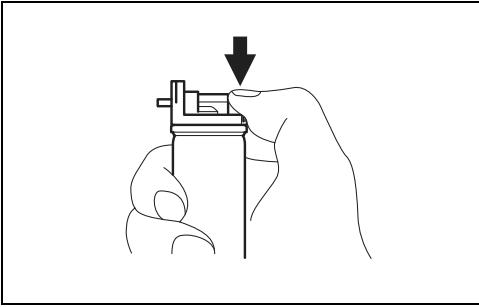
5

009445



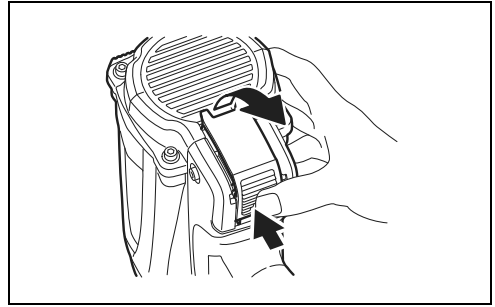
6

009446



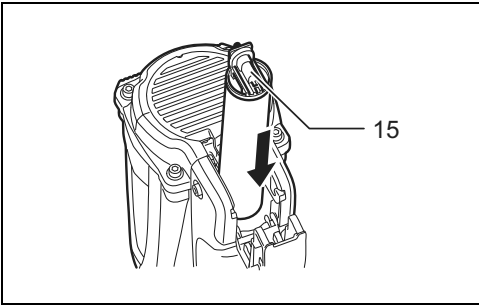
7

009447



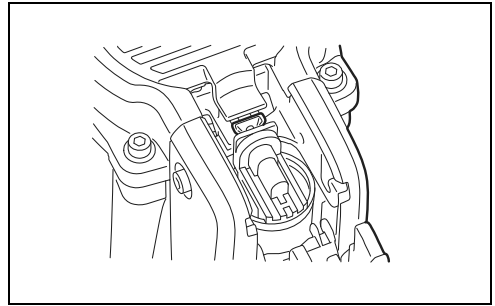
8

009448



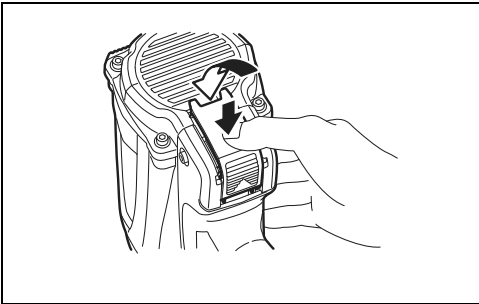
9

009449



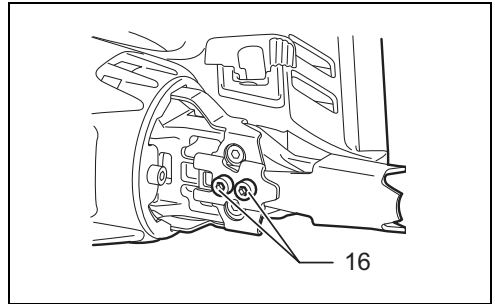
10

009450



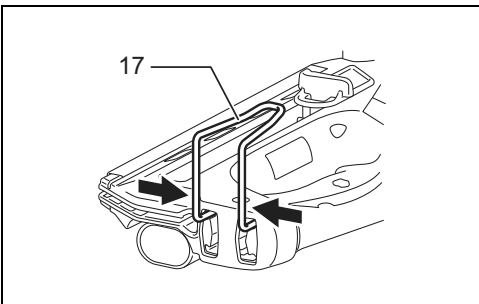
11

009451



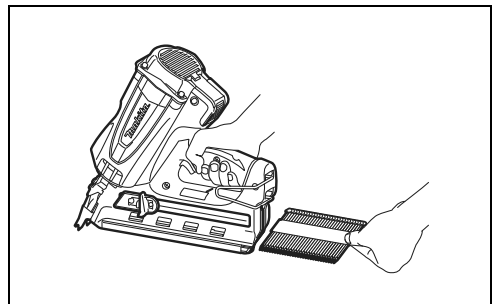
12

009456



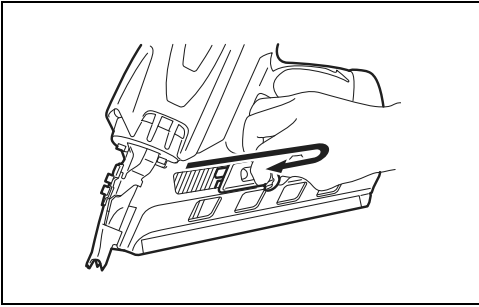
13

009457



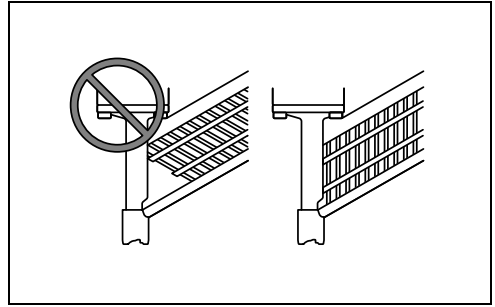
14

009442



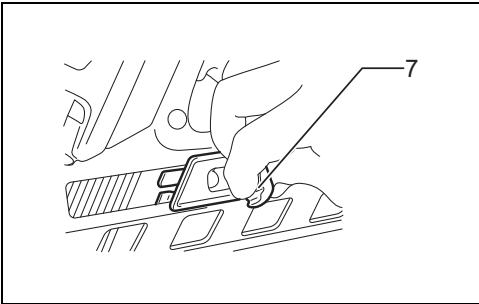
15

009452



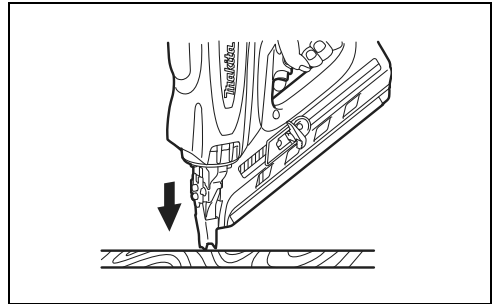
16

011695



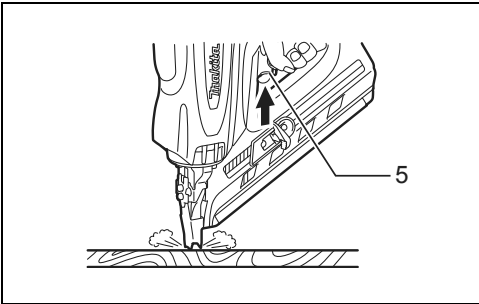
17

009453



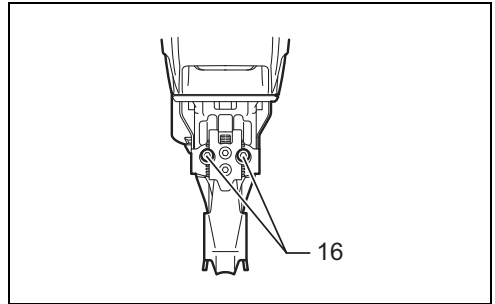
18

009454



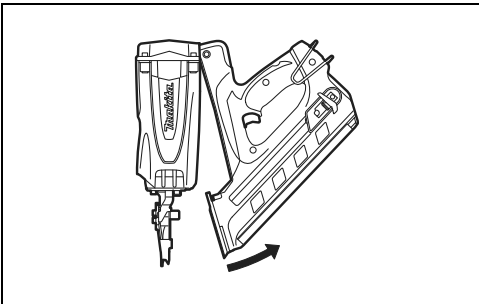
19

009455



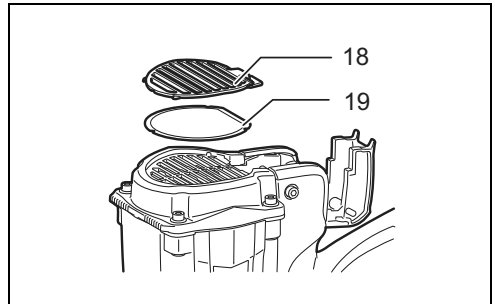
20

009460



21

009443



22

009458

ENGLISH (Original instructions)

Explanation of general view

- | | | |
|----------------------|---------------------|------------------|
| 1. Safety glasses | 8. Pusher lever | 15. Jet nozzle |
| 2. Face shield | 9. Magazine | 16. Screws |
| 3. Battery cartridge | 10. Contact element | 17. Hook |
| 4. Fuel cover | 11. Hex wrench | 18. Filter cover |
| 5. Trigger | 12. Button | 19. Filter |
| 6. Indication lamp | 13. Metering valve | |
| 7. Pusher button | 14. Cap | |

SPECIFICATIONS


Model	GN900
Nail length X Shank diameter	Nail L: 50 mm - 90 mm d: 2.9 mm - 3.3 mm
Nail capacity	40 nails (1strip)
Nail collation angle (degree)	34
Figure of nail head	Clipped
Dimensions (L X W X H)	321 mm X 108 mm X 368 mm
Net weight	3.3 kg
Rated voltage	D.C. 7.2 V


- Due to our continuing program of research and development, the specifications herein are subject to change without notice.
- Specifications and battery cartridge may differ from country to country.
- Weight, with battery cartridge, according to EPTA-Procedure 01/2003


Symbols


END107-7


The following show the symbols used for the equipment. Be sure that you understand their meaning before use.


 ... Read instruction manual.


 Container under pressure, keep away from temperatures over 50°C (for ex. sun radiation) Keep container in a well ventilated place.


 Use only outside or well ventilated rooms. Do not breathe gas.


 Do not use near flames or sprays on heated surfaces. In use, may form flammable/explosive vapour-air mixture.


 Do not damage, puncture or burn even after use.


 Wear safety glasses.

 Keep fingers away from trigger when not driving fasteners to avoid accidental firing.

 Use only in ventilated area to avoid nausea and unconsciousness. Never use tool in combustible atmospheres. The tool exhaust may ignite flammable materials.

 Do not use on scaffoldings, ladders.

 Warning: hot surface!
Do not touch around this symbol. Touching the surface may cause burns or injuries.

 Only for EU countries
Do not dispose of electric equipment or battery pack together with household waste material!
In observance of the European Directives, on Waste Electric and Electronic Equipment and Batteries and Accumulators and Waste Batteries and Accumulators and their implementation in accordance with national laws, electric equipment and batteries and battery pack(s) that have reached the end of their life must be collected separately and returned to an environmentally compatible recycling facility.

Intended use

ENE059-1

The tool is intended for the preliminary interior work such as fixing floor joists or common rafters and framing work in 2" x 4" housing.

General Power Tool Safety Warnings

GEA010-1

⚠ WARNING Read all safety warnings and all instructions. Failure to follow the warnings and instructions may result in electric shock, fire and/or serious injury.

Save all warnings and instructions for future reference.

Cordless nailer/stapler safety warnings

ENB111-4

⚠ WARNING Read all safety warnings and all instructions. Failure to follow the warnings and instructions may result in serious injury, electric shock and/or fire.

Save all warnings and instructions for future reference.

For personal safety and proper operation and maintenance of the tool, read this instruction manual before using the tool.

General safety

- Do not permit those uninstructed to use the tool.
- No horseplay. Respect the tool as a working implement.
- Do not operate when under the influence of alcohol, drugs or the like.
- Never alter the tool.

Personal protective equipments

- Always wear safety glasses to protect your eyes from dust or fastener injury.
⚠ WARNING: It is an employer's responsibility to enforce the use of safety eye protection equipment by the tool operators and by other persons in the immediate working area.
For Australia and New Zealand only
Always wear safety glasses and face shield to protect your eyes from dust or fastener injury. The safety glasses and the face shield should conform with the requirements of AS/NZS 1336. (Fig. 1)
- Wear hearing protection to protect your ears against exhaust noise and head protection. Also wear light but not loose clothing. Sleeves should be buttoned or rolled up. No necktie should be worn.

Work area safety

- Never use the tool in enclosed or poorly ventilated spaces. Otherwise carbon monoxide may cause dizziness, nausea or unconsciousness.
- Keep work area clean and well lit. Cluttered or dark areas invite accidents.
- Do not operate the tool in explosive atmospheres, such as in the presence of flammable liquids, gases or dust. Operating the tool can create sparks which may ignite the dust or fumes.
- Keep children and bystanders away while operating the tool. Distractions can cause you to lose control.
- Illuminate the work area sufficiently.

- There may be local regulations concerning noise which must be complied with by keeping noise levels within prescribed limits. In certain cases, shutters should be used to contain noise.

Safety devices

- Make sure all safety systems are in working order before operation. The tool must not operate if only the trigger is pulled or if only the contact arm is pressed against the wood. It must work only when both actions are performed. Test for possible faulty operation with fasteners unloaded and the pusher in fully pulled position.
- Do not play with the contact element: it prevents accidental discharge, so it must be kept on and not removed. Securing the trigger in the ON position is also very dangerous. Never attempt to fasten the trigger. Do not operate a tool if any portion of the tool operating controls is inoperable, disconnected, altered, or not working properly.
- Do not attempt to keep the contact element depressed with tape or wire. Death or serious injury may occur.
- Always check contact element as instructed in this manual. fasteners may be driven accidentally if the safety mechanism is not working correctly.

Loading fasteners

- Do not load the tool with fasteners when any one of the operating controls is activated.
- Use only fasteners specified in this manual. The use of any other fasteners may cause malfunction of the tool.

Power source

- Use the tool only with the Makita genuine fuel cell.
- Do not touch liquid gas sprayed out of the fuel cell. Contact with it may cause injury.
- Risk of fire and explosion. When handling the fuel cell for the purpose of storage, transportation, inserting into and taking out of the tool and disposal:
 - do not expose to sunlight and to temperatures exceeding 50°C (122°F);
 - do not smoke;
 - avoid sparks and open flame.
- Always remove the battery cartridge and remove all of the fasteners:
 - when unattended;
 - before performing any maintenance or repair;
 - before cleaning a jam;
 - before moving the tool to a new location.

Operational safety

- Always check the tool for its overall condition and loose screws before operation. Tighten as required.
- Handle the tool carefully, as there is high pressure inside the tool that can be dangerous if a crack is caused by rough handling (dropping or striking). Do not attempt to carve or engrave on the tool.
- Stop the operation immediately if you notice something wrong or out of the ordinary with the tool. An improperly functioning tool must not be used.
- Do not point the ejection port at anyone in the vicinity. Keep hands and feet away from the ejection port area.
- Always assume that the tool contains fasteners.
- Never point the tool toward yourself or anyone whether it contains fasteners or not.

- Do not rush the job or force the tool. Handle the tool carefully.
- Do not activate the tool unless the tool is placed firmly against the workpiece.
- Never hold or carry the tool with a finger on the trigger or hand it to someone in this condition. Accidental firing can cause serious injury.
- Never use fastener driving tools marked with the symbol "Do not use on scaffoldings, ladders" for specific application for example:
 - when changing one driving location to another involves the use of scaffoldings, stairs, ladders, or ladder alike constructions, e.g. roof laths;
 - closing boxes or crates;
 - fitting transportation safety systems e.g. on vehicles and wagons.
- Check walls, ceilings, floors, roofing and the like carefully to avoid possible electrical shock, gas leakage, explosions, etc. caused by striking live wires, conduits or gas pipes.
- Do not use the tool for fastening electrical cables. It is not designed for electric cable installation and may damage the insulation of electric cables thereby causing electric shock or fire hazards.
- Watch your footing and maintain your balance with the tool. Make sure there is no one below when working in high locations to prevent danger if there is sudden jerking or catching.
- On rooftops and other high locations, drive fasteners as you move forward. It is easy to lose your footing if you drive fasteners while inching backward. When driving fasteners against perpendicular surface, work from the top to the bottom. You can perform driving operations with less fatigue by doing so.
- A fastener will be bent or the tool can become jammed if you mistakenly drive fastener on top of another fastener or strike a knot in the wood. The fastener may be thrown and hit someone, or the tool itself can react dangerously. Place the fasteners with care.
- Never attempt to drive fasteners from both the inside and outside at the same time. Fasteners may rip through and/or fly off, presenting a grave danger.

Service

- Perform cleaning and maintenance right after finishing the job. Keep the tool in tip-top condition. Lubricate moving parts to prevent rusting and minimize friction-related wear. Wipe off all dust from the parts.
- Ask Makita authorized service center for periodical inspection of the tool.
- To maintain product SAFETY and RELIABILITY, maintenance and repairs should be performed by Makita Authorized Service Centers, always using Makita replacement parts.

SAVE THESE INSTRUCTIONS.

WARNING:

DO NOT let comfort or familiarity with product (gained from repeated use) replace strict adherence to safety rules for the subject product. MISUSE or failure to follow the safety rules stated in this instruction manual may cause serious personal injury.

IMPORTANT SAFETY INSTRUCTIONS

ENC007-7

FOR BATTERY CARTRIDGE

1. Before using battery cartridge, read all instructions and cautionary markings on (1) battery charger, (2) battery, and (3) product using battery.
2. Do not disassemble battery cartridge.
3. If operating time has become excessively shorter, stop operating immediately. It may result in a risk of overheating, possible burns and even an explosion.
4. If electrolyte gets into your eyes, rinse them out with clear water and seek medical attention right away. It may result in loss of your eyesight.
5. Do not short the battery cartridge:
 - (1) Do not touch the terminals with any conductive material.
 - (2) Avoid storing battery cartridge in a container with other metal objects such as nails, coins, etc.
 - (3) Do not expose battery cartridge to water or rain.

A battery short can cause a large current flow, overheating, possible burns and even a breakdown.
6. Do not store the tool and battery cartridge in locations where the temperature may reach or exceed 50°C (122°F).
7. Do not incinerate the battery cartridge even if it is severely damaged or is completely worn out. The battery cartridge can explode in a fire.
8. Be careful not to drop or strike battery.
9. Do not use a damaged battery.

SAVE THESE INSTRUCTIONS.

Tips for maintaining maximum battery life

1. Charge the battery cartridge before completely discharged.

Always stop tool operation and charge the battery cartridge when you notice less tool power.
2. Never recharge a fully charged battery cartridge. Overcharging shortens the battery service life.
3. Charge the battery cartridge with room temperature at 10°C - 40°C (50°F - 104°F). Let a hot battery cartridge cool down before charging it.
4. Charge the battery cartridge once in every six months if you do not use it for a long period of time.

Overview of the nailer (Fig. 2)

FUNCTIONAL DESCRIPTION

CAUTION:

- Always be sure to remove the fuel cell, the battery cartridge and nails before adjusting or checking function on the tool.

Installing or removing battery cartridge (Fig. 3)

- Always switch off the tool before insertion or removal of the battery cartridge.
- To remove the battery cartridge, withdraw it from the tool while pressing the button on the side of the cartridge as shown in the figure. (Fig. 4)
- To insert the battery cartridge, hold it so that the battery cartridge front shape fits to that of the battery installment opening and slip it into place. Always insert it all the way until it locks in place with a little click. If not, it may accidentally fall out of the tool, causing injury to you or someone around you.
- Do not use force when inserting the battery cartridge. If the cartridge does not slide in easily, it is not being inserted correctly.

Fuel cell

Attaching the metering valve to the fuel cell (Fig. 5)

Detach the cap (in case the metering valve is provided with the cap). (Fig. 6)

Push in the front edge. (Fig. 7)

Push in the rear edge until it seats.

Inserting the fuel cell (Fig. 8)

Push up and pull the fuel cover to open. (Fig. 9)

Insert the fuel cell directing the jet nozzle of the metering valve toward the adaptor. (Fig. 10)

Insert the jet nozzle into the small hole of the adapter properly. (Fig. 11)

Put the fuel cover over the metering valve and push it down to latch.

Adjusting the nailing depth

CAUTION:

- Remove the fuel cell, the battery cartridge and nails before adjusting the depth of nailing. (Fig. 12)

With the hex wrench, loosen two screws and move the contact element. Retighten screws firmly.

Indication lamp

Color of the indication lamp means the followings.

Blinking green: Normal status

Blinking red: Need to recharge the battery cartridge

Lighting-up-red: Recharge the battery cartridge. Nailing cannot be performed due to no remaining battery capacity.

Blinking orange: Thoroughly cleaning is recommended. Refer to the section "MAINTENANCE" to clean inside of the tool thoroughly. To reset the orange blinking of the indicator lamp, push the contact element for five seconds, and then push the contact element five times.

Blinking orange after blinking green and red alternately: Fault detection is running. Remove and

reinsert the battery cartridge to reset. If fault detection is running again, it is malfunction condition. Ask your local Makita service center to repair it.

Installing the hook (Fig. 13)

The hook is convenient for hanging the tool temporarily. The hook can be set in two positions according to where the tool will be hung.

To change the hook position, contract it at its foot by pushing in from both sides and shift to another position.

ASSEMBLY

CAUTION:

- Always remove the fuel cell and the battery cartridge.

Loading the nailer (Fig. 14)

Insert a strip of nails into the slit in the rear of the magazine. (Fig. 15)

Pull the Pusher Lever to the rear of the Magazine and return it to the end of the strip gently. (Fig. 16)

Load nails so that they get parallel to the driver guide.

Removing nails (Fig. 17)

Pull the pusher lever and push the pusher button to release the nail supporter, and then return the pusher lever to the top pushing the pusher button.

Slide the nails toward the rear of the magazine and remove them out.

OPERATION

WARNING:

- **Do not touch around the exhaust vent.** The surface will be so hot during or after an operation. Touching around the exhaust vent may cause burns or injuries.

CAUTION:

- Make sure all safety systems are in working order before operation. (Fig. 18)
 1. To drive a nail, place the contact element against the workpiece.
The fan motor is activated, fuel gas is injected into combustion chamber and mixed with air by the fan. (Fig. 19)
 2. Hold the contact element pressing firmly and pull the trigger.
Fuel gas is combusted and the nail is driven.
 3. Further driving can be initiated only after both the contact element and the trigger are released.

Anti dry fire mechanism

This is the mechanism that the tool prevents to be fired without nail.

Dry fire prevention automatically sets up when the rest of nails get to last 4-7 pieces.

Jammed nailer

CAUTION:

- Always be sure to remove the fuel cell and the battery cartridge before clearing a jam.

When the nailer gets jammed, do as follows.

1. Remove the fuel cell, the battery cartridge and nails. (Fig. 20)
2. Loosen the (2) magazine mounting screws with the hex wrench. (Fig. 21)

3. Pull the handle/magazine away from the nose of the tool and clear jam.
4. Realign the handle/magazine to the nose and tighten mounting screws.
5. Reload a strip of nails.

WARNING:

- **Make sure that the magazine mounting screws are tight and the magazine is tight to the nose.**
Attempting to fire tool with a loose magazine will result in loss of nail control, damage to the tool or nail discharge toward operator.

MAINTENANCE

CAUTION:

- Always remove the fuel cell, the battery cartridge and nails before attempting to perform inspection or maintenance.
- Never use gasoline, benzene, thinner, alcohol or the like. Discoloration, deformation or cracks may result.

Maintenance after daily work

At the end of daily work, conduct an end-of-workday routine.

These simple steps are based on maintaining the safety and performance of the tool.

Before leaving the work site:

- Remove the battery cartridge and store in a tool-carrying case. Always use the tool-carrying case for transporting and storing the tool.
- Dispose of all empty cells where they will not be found by children, crushed, punctured or burned.

When you get home:

- Place the battery cartridge in its charger if it needs charging as indicated by the red indication lamp.
- Wipe the tool with a clean, soft cloth.
- Check the filter and clean if it is dusty.

Cleaning the air filter (Fig. 22)

Press slightly up the filter cover and remove it. And then simply lift out the filter.

Tap the filter lightly to remove any dust. Soap and water restores the filter to an almost new condition.

To maintain product SAFETY and RELIABILITY, repairs, any other maintenance or adjustment should be performed by Makita Authorized Service Centers, always using Makita replacement parts.

Thoroughly cleaning

If dry fires occur frequently, which means the tool is needed to be cleaned thoroughly.

See the accompanying cleaning guide for detail, and perform the cleaning.

If you have any questions regarding to cleaning, please ask your local Makita Service Center.

OPTIONAL ACCESSORIES

⚠ CAUTION:

- These accessories or attachments are recommended for use with your Makita tool specified in this manual.

The use of any other accessories or attachments might present a risk of injury to persons. Only use accessory or attachment for its stated purpose.

If you need any assistance for more details regarding these accessories, ask your local Makita Service Center.

- Nails
- Safety goggles
- Fuel cell
- Cleaning kit
- Makita genuine battery and charger

NOTE:

- Some items in the list may be included in the tool package as standard accessories. They may differ from country to country.

Noise

ENG905-1

The typical A-weighted noise level determined according to EN792:

Sound pressure level (L_{pA}): 89 dB (A)

Sound power level (L_{WA}): 102 dB (A)

Uncertainty (K): 3 dB (A)

Wear ear protection.

Vibration

ENG904-2

The vibration total value determined according to EN792:

Vibration emission (a_{rh}): 2.5 m/s² or less

Uncertainty (K): 1.5 m/s²

ENG901-1

- The declared vibration emission value has been measured in accordance with the standard test method and may be used for comparing one tool with another.
- The declared vibration emission value may also be used in a preliminary assessment of exposure.

⚠ WARNING:

- The vibration emission during actual use of the power tool can differ from the declared emission value depending on the ways in which the tool is used.
- Be sure to identify safety measures to protect the operator that are based on an estimation of exposure in the actual conditions of use (taking account of all parts of the operating cycle such as the times when the tool is switched off and when it is running idle in addition to the trigger time).

For European countries only

ENH003-14

EC Declaration of Conformity

We Makita Corporation as the responsible manufacturer declare that the following Makita machine(s):

Designation of Machine:

Cordless Clipped Head Framing Nailer

Model No./ Type: GN900

are of series production and

Conforms to the following European Directives:

2006/42/EC

And are manufactured in accordance with the following standards or standardised documents:

EN792, EN60745

The technical documentation is kept by:
Makita International Europe Ltd.
Technical Department,
Michigan Drive, Tongwell,
Milton Keynes, Bucks MK15 8JD, England

30. 1. 2009



Tomoyasu Kato
Director
Makita Corporation
3-11-8, Sumiyoshi-cho,
Anjo, Aichi, 446-8502, JAPAN

Descriptif

- | | | |
|---------------------------------------|---------------------------|-------------------------|
| 1. Lunettes de sécurité | 7. Bouton-poussoir | 14. Coiffe |
| 2. Visière | 8. Levier poussoir | 15. Tuyère d'éjection |
| 3. Batterie | 9. Magasin | 16. Vis |
| 4. Capuchon du réservoir de carburant | 10. Dispositif de contact | 17. Fermeoir |
| 5. Gâchette | 11. Clé hexagonale | 18. Couvercle du filtre |
| 6. Voyant | 12. Bouton | 19. Filtre |
| | 13. Soupape de dosage | |

SPÉCIFICATIONS

Modèle	GN900
Longueur des clous x diamètre de la tige	Longueur des clous: 50 mm à 90 mm d: 2,9 mm à 3,3 mm
Capacité de clouage	40 clous (1 bande)
Angle intermédiaire des clous (en degrés)	34
Style de la tête des clous	À tête tronquée
Dimensions (L X P X H)	321 mm x 108 mm x 368 mm
Poids net	3,3 kg
Tension nominale	7,2 V C.C.

- Étant donné l'évolution constante de notre programme de recherche et de développement, les spécifications contenues dans ce manuel sont sujettes à des modifications sans préavis.
- Les spécifications et la batterie peuvent varier d'un pays à l'autre.
- Poids, batterie incluse, selon la procédure EPTA 01/2003

Symboles

END107-7

Les symboles utilisés pour l'outil sont indiqués ci-dessous. Assurez-vous d'avoir bien compris leur signification avant d'utiliser l'outil.



... Reportez-vous au manuel d'instructions.



..... Récipient sous pression, éloignez-le des températures supérieures à 50°C (par ex., les rayons du soleil). Conservez le récipient dans un lieu bien ventilé.



..... Utilisez ce produit uniquement en extérieur ou dans des pièces bien ventilées. Ne respirez pas les gaz.



..... N'utilisez pas le produit près de flammes ou d'aérosols sur des surfaces chaudes, au risque de provoquer un mélange d'air et de vapeurs inflammable/explosif.



..... N'endommagez pas, ne perforez pas et ne brûlez pas l'outil, même après utilisation.



..... Portez des lunettes de sécurité.



..... Pour éviter tout déclenchement accidentel, éloignez les doigts de la gâchette lorsque vous n'insérez pas de clous.



..... Utilisez l'outil uniquement dans des zones ventilées pour éviter tout risque de nausées et de perte de connaissance. N'utilisez jamais l'outil dans des atmosphères combustibles. L'échappement de l'outil peut entraîner la combustion de matériaux inflammables.



..... N'utilisez pas l'outil sur un échafaudage ou une échelle.



..... Avertissement : surface chaude ! Ne touchez pas les surfaces sur lesquelles figure ce symbole. Vous risqueriez de vous brûler ou de vous blesser.



..... Pour les pays européens uniquement Ne pas jeter les appareils électriques et les bloc-batteries dans les ordures ménagères ! Conformément aux directives européennes relatives aux déchets d'équipements électriques ou électroniques (DEEE) ainsi qu'aux batteries, aux accumulateurs et aux batteries et accumulateurs usagés et à leur transposition dans la législation nationale, les appareils électriques, les batteries et les bloc-batteries doivent être collectés à part et être soumis à un recyclage respectueux de l'environnement.

Utilisations

ENE059-1

L'outil est prévu pour des travaux préliminaires en intérieur, tels que la fixation de solives de plancher ou de chevrons communs et la réalisation de charpentes d'habitation en 2" x 4".

Consignes de sécurité générales des outils électriques

GEA010-1

⚠ AVERTISSEMENT Veuillez lire toutes les consignes de sécurité et les instructions. Il y a un risque de choc électrique, d'incendie et/ou de blessure grave si les consignes et les instructions ne sont pas toutes respectées.

Conservez toutes les consignes et instructions pour référence ultérieure.

Consignes de sécurité concernant le cloueur/l'agrafeuse sans fil

ENB111-4

⚠ AVERTISSEMENT Veuillez lire toutes les consignes de sécurité et les instructions. Il y a un risque de blessure grave, de choc électrique et/ou d'incendie si les consignes et les instructions ne sont pas toutes respectées.

Conservez toutes les consignes et instructions pour référence ultérieure.

Pour votre propre sécurité et pour assurer le bon fonctionnement et la maintenance de l'outil, veuillez lire ce manuel d'instructions avant d'utiliser l'outil.

Sécurité générale

- Seules les personnes ayant pris connaissance du fonctionnement de l'outil doivent être autorisées à l'utiliser.
- Évitez tout chahut. Respectez votre outil en tant qu'instrument de travail.
- N'utilisez pas l'outil si vous avez consommé de l'alcool, de la drogue ou des médicaments, etc.
- Ne modifiez jamais l'outil.

Équipements de protection individuelle

- Portez toujours des lunettes de sécurité pour protéger vos yeux du contact de la poussière ou d'un clou.

⚠ AVERTISSEMENT : L'employeur a la responsabilité d'imposer le port d'un dispositif de protection des yeux aux utilisateurs de l'outil et à toute personne présente dans la zone de travail immédiate. **Pour l'Australie et la Nouvelle-Zélande uniquement** Portez toujours des lunettes de sécurité et une visière pour protéger vos yeux du contact de la poussière ou d'un clou. Les lunettes de sécurité et la visière doivent être conformes aux exigences de la norme AS/NZS 1336. (Fig. 1)

- Portez une protection auditive pour protéger vos oreilles du bruit de l'échappement et portez un casque de sécurité. Portez également des vêtements légers mais non amples. Veuillez boutonner ou rouler vos manches. Ne portez pas de cravate.

Sécurité de l'aire de travail

- N'utilisez jamais l'outil dans des espaces confinés ou mal ventilés. Le monoxyde de carbone pourrait entraîner des vertiges, des nausées ou une perte de connaissance.
- Gardez le lieu de travail propre et bien éclairé. Des zones sombres ou encombrées peuvent entraîner des accidents.
- N'utilisez pas l'outil dans les atmosphères explosives, par exemple en présence de liquides, gaz ou poussières inflammables. Le fonctionnement de l'outil peut produire des étincelles au contact desquelles la poussière ou les vapeurs peuvent s'enflammer.
- Assurez-vous qu'aucun enfant ou passant ne s'approche pendant que vous utilisez l'outil. Il y a un risque de perte de contrôle de l'outil si votre attention est détournée.
- Éclairiez suffisamment la zone de travail.
- Il se peut que des réglementations locales s'appliquent concernant les niveaux de bruit autorisés. Veuillez les respecter. Dans certains cas, des volets doivent être installés pour réduire le bruit.

Dispositifs de sécurité

- Assurez-vous que tous les dispositifs de sécurité sont en état de fonctionner avant d'utiliser l'outil. L'outil ne doit pas être activé si vous appuyez uniquement sur la gâchette ou si vous appuyez simplement le dispositif de contact contre le bois. Il ne doit s'activer que lorsque ces deux actions sont exécutées. Recherchez un éventuel dysfonctionnement en effectuant un test avec des clous non chargés et le poussoir en position entièrement tiré.
- Ne jouez pas avec le dispositif de contact : il empêche les décharges accidentelles, donc il doit être gardé activé et ne pas être désactivé. Il est également très dangereux de fixer la gâchette en position de marche. Ne tentez jamais d'immobiliser la gâchette. N'utilisez jamais un outil dont l'une des commandes est inutilisable, déconnectée, modifiée ou ne fonctionne pas correctement.
- N'essayez pas de garder le dispositif de contact enfoncé à l'aide de ruban ou de fil. Il y a un risque de décès ou de blessure grave.
- Vérifiez toujours le dispositif de contact comme indiqué dans le présent manuel. Vous risquez de procéder accidentellement au clouage si le mécanisme de sécurité ne fonctionne pas correctement.

Chargement de clous

- Ne mettez jamais de clous dans l'outil alors que l'une de ses commandes est activée.
- N'utilisez que les clous spécifiés dans ce manuel. L'outil risque de mal fonctionner si vous utilisez tout autre type de clou.

Source d'alimentation

- Utilisez l'outil uniquement avec la pile combustible Makita d'origine.
- Ne touchez pas le gaz liquide pulvérisé par la pile combustible. Le contact avec ce gaz pourrait entraîner des blessures.
- Risque d'incendie et d'explosion. Lors de la manipulation de la pile combustible à des fins de stockage, de transport, d'insertion dans l'outil et de retrait de l'outil :

- n'exposez pas l'outil aux rayons du soleil et aux températures supérieures à 50°C (122°F) ;
- ne fumez pas ;
- évitez les étincelles et les flammes nues.
- Retirez toujours la batterie et tous les clous :
 - lorsque l'outil est laissé sans surveillance ;
 - avant d'effectuer tout travail de maintenance ou de réparation sur l'outil ;
 - avant de remédier à un blocage ;
 - avant de déplacer l'outil dans un autre lieu.
- Sur les toits et autres endroits élevés, clouez en vous déplaçant vers l'avant. Vous pouvez facilement perdre pied si vous clouez en vous déplaçant à reculons. Lorsque vous insérez des clous sur une surface verticale, faites-le du haut vers le bas. De cette façon le travail de clouage sera moins exigeant physiquement.
- Le clou risque de se plier ou l'outil de se bloquer si vous insérez un clou par inadvertance sur un autre clou ou heurtez un nœud du bois. Le clou risque alors d'être projeté et de frapper quelqu'un, ou bien l'outil lui-même risque de réagir de manière dangereuse. Choisissez l'emplacement des clous avec soin.
- N'essayez jamais d'insérer des clous simultanément à l'intérieur et à l'extérieur d'une pièce. Cela est très dangereux, car les clous risquent alors de défoncer la pièce et/ou d'être projetés.

Sécurité lors du fonctionnement

- Avant d'utiliser l'outil, assurez-vous qu'il est en bon état et qu'aucune de ses vis n'est desserrée. Le cas échéant, serrez les vis.
- Manipulez l'outil prudemment, car la pression élevée à l'intérieur de celui-ci représente un danger si une fissure est provoquée par une manipulation brusque (si vous échappez ou heurtez l'outil). Ne tentez jamais de tailler ou graver une inscription sur l'outil.
- Cessez immédiatement de vous en servir si vous notez une anomalie ou un fonctionnement inhabituel de l'outil. Tout outil défectueux ne doit pas être utilisé.
- Ne pointez jamais la sortie d'éjection vers une personne située à proximité. Gardez les mains et les pieds à l'écart de la zone de la sortie d'éjection.
- Gardez toujours à l'esprit que l'outil contient des clous.
- L'outil ne doit jamais être pointé vers vous-même ou vers une autre personne, qu'il contienne ou non des clous.
- Ne faites pas fonctionner l'outil à une vitesse excessive et ne le forcez pas. Manipulez l'outil avec précaution.
- Ne mettez pas l'outil en marche avant qu'il ne soit fermement placé sur la pièce à travailler.
- Ne portez et ne transportez pas l'outil et ne le donnez pas à quelqu'un en laissant le doigt sur la gâchette. Un déclenchement accidentel peut provoquer des blessures graves.
- N'utilisez jamais les cloueurs qui portent le symbole « Ne pas utiliser sur des échafaudages ou échelles » pour des travaux spécifiques, comme par exemple :
 - lorsque la modification de la position de clouage implique l'utilisation d'un échafaudage, d'un escalier, d'une échelle, etc., pour clouer des lattes de toit, par exemple ;
 - fermer des boîtes ou des caisses ;
 - installer des dispositifs de sécurité pour le transport, par exemple sur des véhicules ou des wagons.
- Pour éviter tout risque de choc électrique, de fuite de gaz, d'explosion, etc., provoqué(e) par le contact avec des fils dénudés, des conduites ou des tuyaux de gaz, vérifiez les murs, les plafonds, le plancher, le toit, etc.
- N'utilisez pas l'outil pour fixer des câbles électriques. Il n'est pas conçu pour l'installation de câbles électriques et risque d'endommager leur isolation, et par conséquent, d'augmenter les risques de choc électrique ou d'incendie.
- Regardez où vous posez les pieds et assurez-vous d'un bon équilibre pendant l'utilisation de l'outil. Assurez-vous que personne ne se trouve au-dessous de vous lorsque vous travaillez dans un endroit élevé afin d'éviter tout risque en cas de secousse ou de coincement.

Entretien

- Procédez au nettoyage et à la maintenance de l'outil une fois le travail terminé. Maintenez l'outil en excellente condition. Lubrifiez les pièces mobiles pour éviter qu'elles ne rouillent et pour limiter l'usure liée à la friction. Retirez toute poussière déposée sur les pièces.
- Confiez régulièrement l'outil à un centre de service après-vente agréé Makita pour le faire inspecter.
- Pour maintenir la SÉCURITÉ et la FIABILITÉ de l'outil, sa maintenance et ses réparations doivent être effectuées dans un centre de service après-vente agréé Makita, exclusivement avec des pièces de rechange Makita.

CONSERVEZ CES INSTRUCTIONS.



AVERTISSEMENT :

NE vous laissez PAS tromper (au fil d'une utilisation répétée) par un sentiment d'aisance et de familiarité avec le produit, en négligeant le respect rigoureux des consignes de sécurité qui accompagnent l'outil. Une UTILISATION INCORRECTE de l'outil ou un non-respect des consignes de sécurité indiquées dans ce manuel d'instructions peuvent causer des blessures graves.

CONSIGNES DE SÉCURITÉ IMPORTANTES

ENC007-7

POUR LA BATTERIE

1. Avant d'utiliser la batterie, veuillez lire toutes les instructions et tous les avertissements inscrits sur (1) le chargeur, (2) la batterie et (3) l'appareil alimenté par la batterie.
2. Ne démontez pas la batterie.
3. Cessez immédiatement d'utiliser l'outil si le temps de fonctionnement devient excessivement court. Il y a un risque de surchauffe, de brûlures, voire d'explosion.
4. Si l'électrolyte pénètre dans vos yeux, rincez-les à l'eau claire et consultez immédiatement un médecin. Il y a un risque de perte de la vue.
5. Évitez de court-circuiter la batterie :

- (1) **Ne touchez les bornes avec aucun matériau conducteur.**
- (2) **Évitez de ranger la batterie dans un contenant où se trouvent d'autres objets métalliques tels que des clous, pièces de monnaie, etc.**
- (3) **N'exposez pas la batterie à l'eau ou à la pluie. Un court-circuit de la batterie risque de provoquer un fort courant, une surchauffe, parfois des brûlures et même une panne.**
6. **Ne rangez pas l'outil ou la batterie dans des endroits où la température risque d'atteindre ou de dépasser 50°C (122°F).**
7. **Ne jetez pas la batterie au feu même si elle est sérieusement endommagée ou complètement épuisée. La batterie peut exploser au contact du feu.**
8. **Veillez à ne pas laisser tomber ou heurter la batterie.**
9. **N'utilisez pas de batterie endommagée.**

CONSERVEZ CES INSTRUCTIONS.

Conseils pour assurer la durée de vie optimale de la batterie

1. **Rechargez la batterie avant qu'elle ne soit complètement épuisée. Arrêtez toujours l'outil et rechargez la batterie quand vous constatez que la puissance de l'outil diminue.**
2. **Ne rechargez jamais une batterie complètement chargée. La surcharge réduit la durée de service de la batterie.**
3. **Chargez la batterie alors que la température de la pièce se trouve entre 10°C et 40°C (50°F et 104°F). Si une batterie est chaude, laissez-la refroidir avant de la charger.**
4. **Si vous n'utilisez pas l'outil pendant une période prolongée, rechargez la batterie tous les six mois.**

Vue d'ensemble de la cloueuse (Fig. 2)

DESCRIPTION DU FONCTIONNEMENT

ATTENTION:

- Veillez toujours à retirer la pile combustible, la batterie et les clous avant d'utiliser la fonction de réglage ou de contrôle de l'outil.

Installation et retrait de la batterie (Fig. 3)

- Mettez toujours l'appareil hors tension avant d'insérer ou de retirer la batterie.
- Pour retirer la batterie, sortez-la de l'outil tout en appuyant sur le bouton situé sur le côté de la batterie, comme indiqué sur la figure. (Fig. 4)
- Pour insérer la batterie, tenez-la de sorte que la forme de l'avant de la batterie s'ajuste à celle de l'ouverture aménagée de la batterie et faites-la glisser en position.

Insérez-la toujours bien à fond, jusqu'à ce qu'elle se verrouille en émettant un léger clic. Dans le cas contraire, la batterie risque de tomber accidentellement de l'appareil, en vous blessant ou en blessant une personne se trouvant près de vous.

- N'appliquez pas une force excessive lors de l'insertion de la batterie. Si la batterie ne glisse pas aisément, c'est qu'elle n'est pas insérée correctement.

Pile combustible

Fixation de la soupape de dosage à la pile combustible (Fig. 5)

Détachez la coiffe (si la soupape de dosage est fournie avec une coiffe). (Fig. 6)

Appuyez sur le bord avant. (Fig. 7)

Appuyez sur le bord arrière jusqu'à ce qu'il se mette en place.

Insertion de la pile combustible (Fig. 8)

Soulevez et tirez sur le capuchon du réservoir de carburant pour l'ouvrir. (Fig. 9)

Insérez la pile combustible en orientant la tuyère d'éjection de la soupape de dosage vers l'adaptateur. (Fig. 10)

Insérez correctement la tuyère d'éjection dans le petit orifice de l'adaptateur. (Fig. 11)

Placez le capuchon du réservoir de carburant sur la soupape de dosage et enfoncez-le complètement pour qu'il s'enclenche.

Réglage de la profondeur de clouage

ATTENTION:

- Retirez la pile combustible, la batterie et les clous avant de régler la profondeur du clouage. (Fig. 12)
- À l'aide de la clé hexagonale, desserrez deux vis et déplacez le dispositif de contact. Serrez à nouveau fermement les vis.

Voyant

Signification de la couleur du voyant:

Vert clignotant : état normal

Rouge clignotant : la batterie doit être rechargée

Rouge fixe : rechargez la batterie. Il n'est pas possible de procéder au clouage car la batterie est déchargée.

Orange clignotant : un nettoyage en profondeur est recommandé. Reportez-vous à la section « MAINTENANCE » pour nettoyer l'intérieur de l'outil en profondeur. Pour que le voyant orange cesse de clignoter, appuyez sur le dispositif de contact pendant cinq secondes, puis appuyez cinq fois sur le dispositif de contact.

Orange clignotant après vert et rouge clignotant en alternance : la détection des pannes est activée. Retirez et réinsérez la batterie pour réinitialiser l'outil. Si la détection des pannes se déclenche à nouveau, il s'agit d'un dysfonctionnement. Demandez à votre centre de service Makita le plus proche de le corriger.

Installation du crochet (Fig. 13)

L'outil est équipé d'un fermoir pratique qui permet de le suspendre temporairement. Le fermoir peut être réglé

selon deux positions en fonction de l'endroit où l'outil sera suspendu.

Pour modifier la position du fermail, repliez son pied en appuyant dessus depuis les deux côtés et changez sa position.

ASSEMBLAGE

ATTENTION:

- Retirez toujours la pile combustible et la batterie.

Chargement de la cloueuse (Fig. 14)

Insérez une bande de clous dans la fente à l'arrière du magasin. (Fig. 15)

Tirez sur le levier poussoir vers l'arrière du magasin et laissez-le revenir doucement à l'extrémité de la bande. (Fig. 16)

Chargez des clous de sorte qu'ils soient parallèles au guide d'entraînement.

Retrait des clous (Fig. 17)

Tirez sur le levier poussoir et appuyez sur le bouton-poussoir pour relâcher le support de la cloueuse, puis laissez le levier poussoir revenir dans la partie supérieure en appuyant sur le bouton-poussoir.

Faites coulisser les clous vers l'arrière du magasin et retirez-les.

UTILISATION

AVERTISSEMENT :

- **Ne touchez pas la surface située autour de l'aspiration.** Elle est très chaude pendant et après l'utilisation de l'appareil. Si vous touchez la surface située autour de l'aspiration, vous risquez de vous brûler ou de vous blesser.

ATTENTION:

- Assurez-vous que tous les dispositifs de sécurité sont en état de fonctionner avant d'utiliser l'outil. (Fig. 18)

1. Pour insérer un clou, placez le dispositif de contact contre la pièce à travailler.

Le moteur du ventilateur est activé, le gaz de chauffe est injecté dans la chambre de combustion et mélangé à l'air par le ventilateur. (Fig. 19)

2. Appuyez fermement sur le dispositif de contact et tirez sur la gâchette.

Le gaz de chauffe est brûlé et le clou est enfoncé.

3. Vous pouvez l'enfoncer davantage uniquement après avoir relâché le dispositif de contact et la gâchette.

Mécanisme de déclenchement antisiccatif

Ce mécanisme permet d'empêcher le déclenchement de l'outil sans clou.

La prévention antisiccatif se déclenche lorsqu'il reste entre 4 et 7 clous.

Cloueuse bloquée

ATTENTION:

- Veuillez toujours à retirer la pile combustible et la batterie avant de débloquer une cloueuse.

En cas de blocage de la cloueuse, procédez comme suit :

1. Retirez la pile combustible, la batterie et les clous. (Fig. 20)
2. Desserrez les (2) vis de fixation du magasin à l'aide de la clé hexagonale. (Fig. 21)
3. Éloignez la poignée/le magasin du nez de l'outil et débloquez ce dernier.
4. Réalignez la poignée/le magasin sur le nez et serrez les vis de fixation.
5. Rechargez une bande de clous.

AVERTISSEMENT :

- **Assurez-vous que les vis de fixation et le nez du magasin sont serrés.** Toute tentative de déclenchement de l'outil alors que le magasin est lâche risque de provoquer une perte de contrôle des clous, un endommagement de l'outil ou le déchargement accidentel des clous vers l'opérateur.

MAINTENANCE

ATTENTION:

- Retirez toujours la pile combustible, la batterie et les clous avant de tenter de procéder au contrôle ou à la maintenance de l'outil.
- N'utilisez jamais d'essence, de benzine, de diluant, d'alcool ou de produit similaire. Ces produits risquent de provoquer des décolorations, des déformations ou des fissures.

Maintenance suite au travail effectué

Une fois le travail terminé, procédez aux tâches habituelles suivantes.

L'objectif de ces étapes simples est de garantir la sécurité et les performances de l'outil.

Avant de quitter le lieu dans lequel vous travaillez :

- Retirez la batterie et rangez-la dans la valise de transport de l'outil. Utilisez toujours la valise de transport de l'outil pour transporter et ranger l'outil.
- Débarrassez-vous de toutes les piles usagées, de sorte qu'elles ne soient pas découvertes par des enfants, écrasées, perforées ou brûlées.

Lorsque vous rentrez chez vous :

- Si la batterie doit être rechargée, comme indiqué par le voyant rouge, placez-la dans son chargeur.
- Essuyez l'outil avec un chiffon propre et doux.
- Vérifiez le filtre et nettoyez-le s'il est poussiéreux.

Nettoyage du filtre à air (Fig. 22)

Appuyez légèrement sur le couvercle du filtre et retirez-le. Soulevez ensuite simplement le filtre.

Tapez légèrement sur le filtre pour en retirer la poussière. Utilisez du savon et de l'eau pour redonner son éclat au filtre.

Pour garantir la SÉCURITÉ et la FIABILITÉ du produit, les réparations ainsi que tout autre travail d'entretien ou de réglage doivent être effectués dans un centre d'entretien Makita agréé, exclusivement avec des pièces de rechange Makita.

Nettoyage en profondeur

En cas de tirs à vide fréquents, l'outil doit être nettoyé en profondeur.

Pour plus de détails, consultez le guide de nettoyage qui accompagne l'outil et procédez au nettoyage.
Pour toute question relative au nettoyage, contactez votre centre de service Makita le plus proche.

ACCESSOIRES FOURNIS EN OPTION

ATTENTION :

- Ces accessoires ou pièces complémentaires sont recommandés pour être utilisés avec l'outil Makita spécifié dans ce mode d'emploi. L'utilisation de tout autre accessoire ou pièce complémentaire peut comporter un risque de blessure. N'utilisez les accessoires ou pièces qu'aux fins auxquelles ils ont été conçus.

Pour obtenir plus de détails sur ces accessoires, contactez votre Centre de service local Makita.

- Clous
- Lunettes de sécurité
- Pile combustible
- Kit de nettoyage
- Batterie et chargeur Makita authentiques

REMARQUE :

- Certains éléments de la liste peuvent être inclus en tant qu'accessoires standard dans le coffret de l'outil envoyé. Ils peuvent varier suivant les pays.

Bruit ENG905-1

Les niveaux de bruit pondéré A typiques ont été mesurés selon la norme EN792 :

Niveau de pression sonore (L_{pA}) : 89 dB (A)

Niveau de puissance sonore (L_{WA}) : 102 dB (A)

Incertitude (K) : 3 dB (A)

Portez des protections auditives.

Vibrations ENG904-2

La valeur totale des vibrations a été mesurée selon la norme EN792 :

Émission des vibrations (a_n) : 2,5 m/s² ou moins

Incertitude (K) : 1,5 m/s²

ENG901-1

- La valeur de l'émission des vibrations déclarée a été mesurée conformément à la méthode de test standard et peut être utilisée afin de comparer des outils entre eux.
- La valeur de l'émission des vibrations déclarée peut également être utilisée lors d'une évaluation préliminaire de l'exposition.

AVERTISSEMENT :

- Selon la manière dont l'outil est utilisé, il est possible que l'émission des vibrations pendant l'utilisation réelle de l'outil électrique diffère de la valeur de l'émission déclarée.
- Veillez à identifier les mesures de sécurité destinées à protéger l'opérateur et établies en fonction de l'estimation de l'exposition dans les conditions réelles d'utilisation (en prenant en compte toutes les étapes du cycle de fonctionnement, telles que les périodes de mise hors tension de l'outil, les périodes de fonctionnement au ralenti et les périodes de mise en route).

Pour les pays d'Europe uniquement ENH003-14

Déclaration de conformité CE

Nous, Makita Corporation, en tant que fabricant responsable, déclarons que les machines Makita suivantes :

Nom de la machine :

Cloueuse à charpente clous à tête tronquée sans fil

N° de modèle/Type : GN900

sont fabriquées en série et

sont conformes aux directives européennes suivantes :

2006/42/CE

et sont produites conformément aux normes ou documents de normalisation suivants :

EN792, EN60745

La documentation technique est disponible auprès de :

Makita International Europe Ltd.

Technical Department,

Michigan Drive, Tongwell,

Milton Keynes, Bucks MK15 8JD, Angleterre

30. 1. 2009



Tomoyasu Kato

Directeur

Makita Corporation

3-11-8, Sumiyoshi-cho,

Anjo, Aichi, 446-8502, JAPAN

DEUTSCH (Originalanweisungen)

Erklärung der Gesamtdarstellung

- | | | |
|------------------------|--------------------|-----------------|
| 1. Schutzbrille | 8. Druckhebel | 15. Strahldüse |
| 2. Gesichtsschutz | 9. Magazin | 16. Schrauben |
| 3. Akkublock | 10. Kontaktfuß | 17. Einhängclip |
| 4. Kraftstoffabdeckung | 11. Inbusschlüssel | 18. Filterkappe |
| 5. Auslöser | 12. Taste | 19. Filter |
| 6. Anzeigeleuchte | 13. Dosierventil | |
| 7. Drucktaste | 14. Kappe | |

TECHNISCHE DATEN



Modell	GN900
Nagellänge X Schaftdurchmesser	Nagel L: 50 mm bis 90 mm d: 2,9 bis 3,3 mm
Max. Anzahl Nägel	40 Nägel (1 Band)
Winkel der Nagelsortierung (Grad)	34
Abbildung des Nagelkopfes	Flachkopfnagel
Abmessungen (L x B x H)	321 mm X 108 mm X 368 mm
Nettogewicht	3,3 kg
Nennspannung	7,2 V Gleichspannung


- Aufgrund unserer beständigen Forschungen und Weiterentwicklungen sind Änderungen an den hier angegebenen Technischen Daten ohne Vorankündigung vorbehalten.
- Die Technischen Daten und der Akkublock können in den einzelnen Ländern Abweichungen aufweisen.
- Gewicht, mit Akkublock, ermittelt gemäß EPTA-Verfahren 01/2003


Symbole


END107-7


Im Folgenden sind die im Zusammenhang mit diesem Werkzeug verwendeten Symbole dargestellt. Machen Sie sich vor der Benutzung des Werkzeugs unbedingt mit diesen Symbolen vertraut.



  ... Lesen Sie die vorliegende Betriebsanleitung.

 Behälter steht unter Druck. Setzen Sie den Behälter keinen Temperaturen über 50°C (z.B. direkte Sonneneinstrahlung) aus. Lagern Sie den Behälter an einem gut belüfteten Ort.

 Verwenden Sie das Werkzeug nur im Freien oder in gut belüfteten Räumen. Atmen Sie das Gas nicht ein.

 Verwenden Sie in der Nähe weder Flammen noch Sprays auf erhitzten Flächen. Bei Nichtbeachtung kann sich ein brennbares bzw. explosives Dampf-Luft-Gemisch bilden.

 Beschädigen, Durchstechen oder Verbrennen Sie den Behälter nach der Verwendung nicht.

  Tragen Sie eine Schutzbrille.



..... Nehmen Sie Ihre Finger vom Schalter, wenn Sie keine Nägel eintreiben, um ein versehentliches Auslösen zu vermeiden.



..... Verwenden Sie das Werkzeug nur in belüfteten Bereichen, um Übelkeit und Bewusstlosigkeit zu vermeiden. Verwenden Sie das Werkzeug niemals in Umgebungen mit brennbaren Materialien. Die Werkzeugabgase können die brennbaren Materialien entzünden.



..... Werkzeug nicht auf Gerüsten oder Leitern verwenden!



..... Warnung: Heiße Fläche! Bereich um dieses Symbol nicht berühren! Bei Berührung dieser Fläche kann es zu Verbrennungen oder Verletzungen kommen.



..... Nur für EU-Länder Entsorgen Sie Elektrowerkzeuge, Batterien und Akkus nicht über den Hausmüll! Gemäß der Europäischen Richtlinie über Elektro- und Elektronik- Altgeräte und über Batterien und Akkumulatoren sowie ihrer Umsetzung in nationales Recht müssen verbrauchte Elektrowerkzeuge sowie Altbatterien und Altakkumulatoren getrennt gesammelt und einer

umweltgerechten Wiederverwertung
zugeführt werden.

Verwendungszweck

ENE059-1

Das Werkzeug dient dem vorbereitenden Innenausbau, wie dem Befestigen von Deckenträgern oder einfachen Sparren und Rahmenwerken im 2" x 4"-Wohnbau.

Allgemeine Sicherheitshinweise für Elektrowerkzeuge

GEA010-1

⚠️ WARNUNG Lesen Sie alle Sicherheitshinweise und Anweisungen sorgfältig durch. Wenn die Hinweise und Anweisungen nicht beachtet werden, besteht die Gefahr eines Stromschlags, Brands und/oder das Risiko von ernsthaften Verletzungen.

Bewahren Sie alle Hinweise und Anweisungen zur späteren Referenz gut auf.

Sicherheitshinweise für Akku-Nagler/-Tacker

ENB111-4

⚠️ WARNUNG Lesen Sie alle Sicherheitswarnungen und -anweisungen sorgfältig durch. Wenn die aufgeführten Warnhinweise und Anweisungen nicht beachtet werden, besteht die Gefahr eines Stromschlags, Brands und/oder die Gefahr schwerer Verletzungen.

Bewahren Sie alle Warnhinweise und Anweisungen zum späteren Nachschlagen gut auf.

Um Ihre persönliche Sicherheit, sachgerechten Betrieb und ordnungsgemäße Wartung des Werkzeugs zu gewährleisten, lesen Sie vor der Benutzung des Werkzeugs diese Bedienungsanleitung vollständig durch.

Allgemeine Sicherheit

- Personen, die nicht entsprechend geschult sind, ist die Benutzung des Werkzeugs ausdrücklich zu untersagen.
- Dieses Werkzeug ist kein Spielzeug! Sehen Sie das Werkzeug als Hilfsmittel für Ihre Arbeit an.
- Benutzen Sie das Werkzeug nicht, wenn Sie unter Einfluss von Alkohol, Drogen oder dergleichen stehen.
- Nehmen Sie auf keinen Fall Änderungen am Werkzeug vor.

Persönliche Schutzausrüstungen

- Tragen Sie zum Schutz Ihrer Augen vor Staub und Verletzungen durch Klammern stets eine Schutzbrille.
⚠️ WARNUNG: Es ist Pflicht des Arbeitgebers, das Tragen von Schutzbrillen beim Bediener und allen anderen Personen im unmittelbaren Arbeitsbereich durchzusetzen.

Nur Australien und Neuseeland

Tragen Sie zum Schutz Ihrer Augen und des Gesichts vor Staub und Verletzungen durch Klammern stets eine Schutzbrille und einen Gesichtsschutz. Die Schutzbrille und der Gesichtsschutz müssen die Anforderungen der Norm AS/NZS 1336 erfüllen. (**Abb. 1**)

- Tragen Sie einen Gehörschutz, um Ihre Ohren vor den Auspuffgeräuschen zu schützen, und tragen Sie darüber hinaus einen Kopfschutz. Tragen Sie auch leichte, aber keine weite Kleidung. Ärmel müssen zugeknöpft oder hochgerollt sein. Das Tragen einer Kravatte ist unzulässig.

Sicherheit am Arbeitsplatz

- Verwenden Sie das Werkzeug niemals in geschlossenen oder unzureichend belüfteten Räumen. Andernfalls kann es zu Schwindelgefühlen und Übelkeit bis zur Bewusstlosigkeit aufgrund von Ansammlungen von Kohlenmonoxid kommen.
- Achten Sie auf ein sauberes und gut beleuchtetes Arbeitsumfeld. In unordentlichen oder dunklen Bereichen können schnell Unfälle passieren.
- Betreiben Sie das Werkzeug niemals in explosionsgefährdeten Umgebungen, wie etwa in der Nähe von brennbaren Flüssigkeiten, Gasen oder Staub. Beim Betrieb von Elektrowerkzeugen können Funken entstehen, die Staub und Dämpfe entzünden können.
- Halten Sie Kinder und Zuschauer auf Abstand, wenn Sie das Werkzeug bedienen. Ablenkung kann zu Kontrollverlust führen.
- Beleuchten Sie den Arbeitsbereich ausreichend.
- Befolgen Sie etwaige örtliche Lärmschutzvorschriften, halten Sie insbesondere die vorgeschriebenen Grenzen für Geräuschpegel ein. In bestimmten Fällen sollte der Lärmpegel mit Hilfe von Jalousien gedämpft werden.

Schutzvorrichtungen

- Stellen Sie vor der Benutzung des Werkzeugs sicher, dass alle Sicherheitssysteme in funktionsfähigem Zustand sind. Das Werkzeug darf nicht auslösen, wenn nur der Auslöser betätigt oder nur der Kontaktausleger gegen das Werkstück gedrückt wird. Das Werkzeug darf nur dann auslösen, wenn beide Aktionen zusammen durchgeführt werden. Überprüfen Sie das Werkzeug mit leerem Magazin und voll durchgezogenem Auslöser auf möglichen fehlerhaften Betrieb.
- Gehen Sie mit dem Kontaktfuß sorgfältig um: Dieser Fuß verhindert ein versehentliches Auslösen. Daher muss er stets am Werkzeug verbleiben und darf nicht entfernt werden. Auch das Arretieren des Auslösers in Auslösestellung ist sehr gefährlich. Versuchen Sie niemals, den Auslöser zu arretieren. Benutzen Sie das Werkzeug nicht, wenn eines der Bedienelemente des Werkzeugs funktionsunfähig oder mangelhaft ist oder demontiert oder abgeändert wurde.
- Versuchen Sie niemals, den Kontaktfuß mittels Klebeband, Draht o. ä. dauerhaft in gedrückter Stellung zu fixieren. Dies kann zu schweren oder gar tödlichen Verletzungen führen.
- Überprüfen Sie unbedingt den Kontaktfuß wie in dieser Betriebsanleitung vorgegeben. Wenn der Sicherheitsmechanismus nicht korrekt funktioniert, können versehentlich Stiftnägel ausgeschossen werden.

Bestücken der Stiftnägel

- Laden Sie das Werkzeug nicht mit Nägeln auf, wenn eines der Auslöselemente aktiviert ist.

- Verwenden Sie ausschließlich die in dieser Anleitung vorgegebenen Stiftnägel. Bei Verwendung anderer Stiftnägel kann es zu einer Fehlfunktion des Werkzeugs kommen.

Stromversorgung

- Verwenden Sie das Werkzeug ausschließlich mit originalen Brennstoffzellen von Makita.
- Vermeiden Sie den Kontakt mit aus der Kraftstoffzelle austretendem Flüssiggas. Bei Kontakt mit dem Flüssiggas kann es zu Verletzungen kommen.
- Brand- und Explosionsgefahr Bei Umgang mit der Kraftstoffzelle zwecks Lagerung, Transport, Ein- und Ausbau in das bzw. aus dem Werkzeug oder Entsorgung:
 - Setzen Sie die Zelle keinem Sonnenlicht und keinen Temperaturen über 50°C aus.
 - Rauchen Sie nicht.
 - Vermeiden Sie Funken und offene Flammen.
- Nehmen Sie immer den Akkublock ab und alle Befestigungsmittel heraus.
 - bevor das Werkzeug unbeaufsichtigt ist,
 - bevor Sie Wartungs- oder Reparaturarbeiten durchführen,
 - bevor Sie einen Nagelstau beseitigen,
 - bevor Sie das Werkzeug an einen anderen Ort transportieren.

Bedienungssicherheit

- Überprüfen Sie das Werkzeug vor der Benutzung stets auf seinen Allgemeinzustand und auf lockere Schrauben. Ziehen Sie ggf. lockere Schrauben fest.
- Gehen Sie mit dem Werkzeug sorgfältig um. Das Werkzeug steht unter hohem Druck, sodass ein durch grobe Behandlung (Fallenlassen oder Anstoßen) verursachter Riss eine hohe Gefahr darstellt. Bringen Sie niemals Einritzungen oder Gravuren in das Werkzeug ein.
- Brechen Sie die Arbeiten sofort ab, wenn Sie einen Defekt oder etwas Ungewöhnliches am Werkzeug feststellen. Ein Werkzeug, das Defekte aufweist, darf nicht verwendet werden.
- Richten Sie die Auswurföffnung nicht auf Personen in der Nähe. Halten Sie Hände und Füße vom Bereich der Auswurföffnung fern.
- Gehen Sie stets davon aus, dass sich Stiftnägel im Werkzeug befinden.
- Richten Sie das Werkzeug niemals auf sich selbst oder andere Personen, auch dann nicht, wenn sich keine Befestigungsmittel im Werkzeug befinden.
- Überstürzen Sie die Arbeit nicht, und üben Sie keine übermäßige Kraft auf das Werkzeug aus. Gehen Sie mit dem Werkzeug sorgsam um.
- Lösen Sie das Werkzeug erst dann aus, nachdem Sie es fest auf das Werkstück aufgesetzt haben.
- Halten oder tragen Sie das Werkzeug nicht mit dem Finger am Auslöser, und übergeben Sie das Werkzeug nicht auf diese Weise an andere Personen. Bei einem versehentlichen Auslösen kann es zu schweren Verletzungen kommen.
- Benutzen Sie Nagler mit der Aufschrift „Nicht auf Gerüsten, Leitern verwenden“ niemals für bestimmte Arbeiten wie z. B.:

- wenn für einen Arbeitsplatzwechsel Gerüste, Treppen, Leitern oder leiterähnliche Konstruktionen wie z. B. Dachlatten erforderlich sind;
- zum Verschließen von Kisten oder Verschlägen;
- zum Anbringen von Transportsicherheitsystemen z. B. an Fahrzeugen und Wagen.
- Überprüfen Sie Wände, Decken, Fußböden, Dächer und dergleichen sorgfältig auf möglicherweise dort verlegte Elektrokabel, Gasrohre oder sonstige Rohre und Leitungen, um elektrische Schläge, Gaslecks, Explosionen usw. zu vermeiden.
- Verwenden Sie dieses Werkzeug nicht für das Befestigen von Elektrokabeln. Das Werkzeug eignet sich nicht für das Anbringen von Elektrokabeln. Es kann die Isolierung von Elektrokabeln beschädigen und dadurch Stromschläge oder Brandverletzungen verursachen.
- Achten Sie beim Arbeiten mit dem Werkzeug auf sicheren Stand und Gleichgewicht. Stellen Sie sicher, dass sich bei Arbeiten an hochgelegenen Arbeitsplätzen keine Personen unterhalb Ihres Standorts aufhalten, um Gefahren zu vermeiden, wenn der Luftschlauch plötzlich ruckt oder an Hindernissen hängen bleibt.
- Bewegen Sie sich beim Einschlagen von Stiftnägeln auf Dächern und anderen hochgelegenen Orten in Vorwärtsrichtung. Wenn Sie sich rückwärts bewegen, können Sie leicht den Stand verlieren. Bringen Sie bei Arbeiten an senkrechten Flächen die Stiftnägel von oben nach unten. Das Ausführen von Nagelarbeiten auf diese Weise ist weniger ermüdend.
- Ein Stiftnagel kann sich verbiegen oder im Werkzeug verklemmen, wenn Sie versehentlich auf einen anderen Stiftnagel oder ein Astloch im Holz treffen. Der Stiftnagel kann herausgeschleudert werden und Personen treffen, oder das Werkzeug selbst kann sich gefährlich verhalten. Setzen Sie die Stiftnägel mit Sorgfalt.
- Versuchen Sie niemals, Stiftnägel gleichzeitig von innen und von außen einzuschlagen. Stiftnägel können durchschlagen und/oder herausfliegen und dabei eine große Gefahr darstellen.

Service

- Nehmen Sie unmittelbar nach Abschluss der Arbeiten eine Reinigung und Wartung vor. Halten Sie das Werkzeug stets in einwandfreiem Zustand. Schmieren Sie bewegliche Teile, um Rostbildung zu verhindern und Reibungsverleiß zu minimieren. Säubern Sie alle Teile von Staub.
- Lassen Sie das Werkzeug regelmäßig von autorisierten Makita-Servicecentern überprüfen.
- Für die Gewährleistung der SICHERHEIT und ZUVERLÄSSIGKEIT des Produkts dürfen Reparatur- und Wartungsarbeiten ausschließlich von autorisierten Makita-Servicecentern durchgeführt werden, und es sollten ausschließlich Original-Ersatzteile von Makita verwendet werden.

BEWAHREN SIE DIESE ANLEITUNG SORGFÄLTIG AUF.

WARNUNG:

Lassen Sie sich NIE durch Bequemlichkeit oder (aus fortwährendem Gebrauch gewonnener) Vertrautheit mit dem Werkzeug dazu verleiten, die Sicherheitsregeln für das Werkzeug zu missachten. Bei MISSBRÄUHLICHER Verwendung des Werkzeugs oder Missachtung der in diesem Handbuch enthaltenen Sicherheitshinweise kann es zu schweren Verletzungen kommen.

WICHTIGE SICHERHEITSREGELN

ENC007-7

FÜR AKKUBLOCK

1. Lesen Sie vor der Verwendung des Akkublocks alle Anweisungen und Sicherheitshinweise für das Akkuladegerät (1), den Akku (2) und das Produkt (3), für das der Akku verwendet wird, sorgfältig durch.
 2. Der Akkublock darf nicht zerlegt werden.
 3. Falls die Betriebsdauer erheblich kürzer wird, beenden Sie den Betrieb umgehend. Andernfalls besteht die Gefahr einer Überhitzung sowie das Risiko möglicher Verbrennungen und sogar einer Explosion.
 4. Wenn Elektrolyt in Ihre Augen gerät, waschen Sie diese mit klarem Wasser aus und suchen Sie sofort einen Arzt auf. Andernfalls können Sie Ihre Sehfähigkeit verlieren.
 5. Vermeiden Sie einen Kurzschluss des Akkublocks:
 - (1) Die Kontakte dürfen nicht mit leitendem Material in Berührung kommen.
 - (2) Der Akkublock darf nicht in einem Behälter aufbewahrt werden, in dem sich andere metallische Gegenstände wie beispielsweise Nägel, Münzen usw. befinden.
 - (3) Der Akkublock darf weder Feuchtigkeit noch Regen ausgesetzt werden.
- Ein Kurzschluss des Akkus kann zu hohem Kriechstrom, Überhitzung, möglichen Verbrennungen und sogar zu einer Zerstörung des Werkzeugs führen.
6. Werkzeug und Akkublock dürfen nicht an Orten aufbewahrt werden, an denen Temperaturen von 50°C oder darüber erreicht werden können.
 7. Beschädigte oder verbrauchte Akkus dürfen nicht verbrannt werden. Der Akkublock kann in den Flammen explodieren.
 8. Lassen Sie den Akku nicht fallen und vermeiden Sie Schläge gegen den Akku.
 9. Verwenden Sie niemals einen beschädigten Akku.

BEWAHREN SIE DIESE ANLEITUNG SORGFÄLTIG AUF.

Tipps für eine maximale Nutzungsdauer von Akkus

1. Laden Sie den Akkublock auf, bevor der Akku vollständig entladen ist. Sobald Sie eine verringerte Leistung des Werkzeugs bemerken, beenden Sie stets den Betrieb des Werkzeugs und laden Sie den Akkublock auf.
2. Ein voll aufgeladener Akkublock darf niemals erneut geladen werden. Durch Überladungen wird die Lebensdauer des Akkus verkürzt.
3. Laden Sie den Akkublock bei einer Zimmertemperatur von 10°C bis 40°C auf. Lassen Sie einen heißen Akkublock vor dem Aufladen abkühlen.
4. Laden Sie den Akkublock aller sechs Monate auf, wenn Sie diesen für längere Zeit nicht verwenden.

Gesamtdarstellung des Naglers (Abb. 2)

FUNKTIONSBESCHREIBUNG

ACHTUNG:

- Entfernen Sie stets die Kraftstoffzellen, den Akkublock und die Nägel, bevor Sie Einstellungen oder eine Funktionsprüfung des Werkzeugs vornehmen.

Montieren und Demontieren des Akkublocks (Abb. 3)

- Schalten Sie das Werkzeug stets aus, bevor Sie den Akkublock einsetzen oder entfernen.
- Zum Entfernen des Akkublocks müssen Sie diesen aus dem Werkzeug herausziehen, während Sie die Taste an der Seite des Blocks verschieben (siehe Abbildung). (Abb. 4)
- Zum Einsetzen des Akkublocks setzen Sie den Akkublock mit der Vorderseite passgerecht auf die Öffnung des Akkufachs auf und schieben Sie den Akkublock in seine Position. Setzen Sie den Block immer ganz ein, bis er mit einem Klick einrastet. Andernfalls kann der Block versehentlich aus dem Werkzeug fallen und Sie oder Personen in der Nähe verletzen.
- Wenden Sie beim Einsetzen des Akkublocks keine Gewalt an. Wenn der Block nicht leicht hineingleitet, wird er nicht richtig eingesetzt.

Kraftstoffzelle

Befestigen des Dosierventils an der Kraftstoffzelle (Abb. 5)

Trennen Sie die Kappe ab (falls das Dosierventil mit Kappe geliefert wird). (Abb. 6)
Drücken Sie die vordere Kante ein. (Abb. 7)
Drücken Sie die hintere Kante bis zum Einrasten ein.

Einsetzen der Kraftstoffzelle (Abb. 8)

Ziehen Sie die Kraftstoffkappe zum Öffnen nach vorn. (Abb. 9)

Setzen Sie die Kraftstoffzelle in Richtung Strahldüse des Dosierventils Richtung Adapter ein. **(Abb. 10)**
Setzen Sie die Strahldüse ordnungsgemäß in die kleine Öffnung des Adapters ein. **(Abb. 11)**
Setzen Sie die Kraftstoffkappe auf das Dosierventil und drücken Sie diese zum Einrasten nach unten.

Einstellen der Nageltiefe

ACHTUNG:

- Entfernen Sie die Brennstoffzelle, den Akkublock sowie alle Nägel, bevor Sie die Tiefe der Nagelung einstellen. **(Abb. 12)**

Lösen Sie mit einem Sechskantschlüssel zwei Schrauben und bewegen Sie das Kontaktelement. Ziehen Sie die Schrauben wieder sicher fest.

Anzeigenleuchte

Die Farbe der Anzeigelampe hat die folgende Bedeutung.

Grün blinkend: Normaler Status

Rot blinkend: Akkublock muss geladen werden

Rot leuchtend: Aufladen des Akkublocks, mit der verbleibenden Akkuleistung kann keine Nagelung vorgenommen werden.

Orange blinkend: Eine gründliche Reinigung ist angesagt. Hinweise zu einer gründlichen Reinigung der Innenseite des Werkzeugs entnehmen Sie bitte dem Abschnitt „WARTUNG“. Um eine orange blinkende Anzeigelampe zurückzusetzen, drücken Sie den Kontaktfuß fünf Sekunden lang und dann drücken Sie denselben fünfmal.

Orange blinkend, nach abwechselnd grün und rot blinkend: Entnehmen Sie den Akkublock und setzen Sie ihn zum Zurücksetzen wieder ein. Falls die Fehlererkennung erneut ausgeführt wird, liegt eine Fehlfunktion vor. Wenden Sie sich zwecks Reparatur an Ihr örtliches, autorisiertes Makita-Servicecenter.

Anbringen des Hakens (Abb. 13)

Der Haken ist nützlich, wenn Sie das Werkzeug kurzzeitig aufhängen möchten. Der Haken kann in zwei Positionen entsprechend der gewünschten Aufhängung befestigt werden.

Zum Ändern der Hakenposition drücken Sie den Haken von beiden Seiten des Fußes zusammen und ziehen Sie ihn an eine andere Position.

MONTAGE

ACHTUNG:

- Entfernen Sie stets die Kraftstoffzelle und den Akkublock.

Laden des Naglers (Abb. 14)

Setzen Sie eine Nagelleiste in den Schlitz an der Rückseite des Magazins ein. **(Abb. 15)**

Ziehen Sie den Druckhebel zur Rückseite des Magazins und führen Sie den Druckhebel vorsichtig zurück zum Ende der Nagelleiste. **(Abb. 16)**

Legen Sie die Nägel so ein, dass sie parallel zur Antriebsführung liegen.

Entfernen der Nägel (Abb. 17)

Ziehen Sie den Druckhebel und drücken Sie die Drucktaste, um den Nagelträger freizugeben; bringen Sie den Druckhebel zurück zum Anfang, indem Sie die Drucktaste drücken.

Schieben Sie die Nägel Richtung Rückseite des Magazins und nehmen Sie diese heraus.

BETRIEB

WARNUNG:

- Bereich um die Lüftungsschlitze nicht berühren!**
Dieser Bereich ist bei und kurz nach dem Betrieb sehr heiß. Bei Berührung des Bereichs um den Luftaustritt kann es zu Verbrennungen oder Verletzungen kommen.

ACHTUNG:

- Stellen Sie vor der Benutzung des Werkzeugs sicher, dass alle Sicherheitssysteme in funktionsfähigem Zustand sind. **(Abb. 18)**

- Zum Eintreiben eines Nagels setzen Sie den Kontaktfuß auf das Werkstück.

Der Ventilatormotor wird ausgelöst, Kraftstoffgas wird in die Verbrennungskammer eingespritzt und mit dem Ventilator mit Luft gemischt. **(Abb. 19)**

- Halten Sie den Kontaktfuß durch Drücken sicher fest und betätigen Sie anschließend den Auslöser.

Kraftstoffgas wird verbrannt und der Nagel wird eingetrieben.

- Ein weiterer Eintreibvorgang kann nur ausgelöst werden, wenn sowohl Kontaktelement als auch Auslöser freigegeben werden.

Auslösemechanismus mit Schutzvorrichtung

Durch diesen Mechanismus wird verhindert, dass das Werkzeug ohne Nagel ausgelöst wird.

Diese Auslöseschutzvorrichtung wird automatisch aktiviert, wenn nur noch 4 bis 7 Nägel im Magazin sind.

Blockierter Nagler

ACHTUNG:

- Entfernen Sie stets die Kraftstoffzelle und den Akkublock, bevor Sie eine Blockade lösen.
- Gehen Sie bei einer Blockierung des Naglers wie folgt vor.
- Entfernen Sie die Kraftstoffzelle, den Akkublock und die Nägel. **(Abb. 20)**
 - Lösen Sie die Montageschrauben des Magazins (2) mit einem Sechskantschlüssel. **(Abb. 21)**
 - Ziehen Sie den Griff/das Magazin aus dem Vorsprung des Werkzeugs und beheben Sie die Blockierung.
 - Setzen Sie den Griff/das Magazin wieder in den Vorsprung ein und ziehen Sie die Montageschrauben fest.
 - Laden Sie die Nagelleiste wieder.

WARNUNG:

- Überprüfen Sie, dass die Montageschrauben festgezogen sind und sich das Magazin fest im Vorsprung befindet.** Das Auslösen der Werkzeuge mit

einem losen Magazin kann zum Kontrollverlust über den Nagler, zu Schäden am Nagler oder zum Ausschuss eines Nagels in Richtung Bediener führen.

Verwenden Sie Zubehör- und Zusatzteile nur für den vorgesehenen Zweck. Informationen zu diesem Zubehör erhalten Sie von Ihrem Makita-Servicecenter.

- Nägel
- Schutzbrillen
- Kraftstoffzelle
- Reinigungssatz
- Original-Akku und Original-Ladegerät von Makita

HINWEIS:

- Einige der in der Liste aufgeführten Elemente sind dem Werkzeugpaket als Standardzubehör beigelegt. Diese können in den einzelnen Ländern voneinander abweichen.

WARTUNG

ACHTUNG:

- Entfernen Sie stets die Brennstoffzelle, den Akkublock sowie alle Nägel, bevor Sie Überprüfungen oder Wartungen vornehmen.
- Verwenden Sie zum Reinigen niemals Kraftstoffe, Benzin, Verdünnern, Alkohol oder ähnliches. Dies kann zu Verfärbungen, Verformungen oder Rissen führen.

Wartungsarbeiten nach der täglichen

Arbeit

Führen Sie am Ende der täglichen Arbeiten eine Reinigungsroutine durch. Diese einfachen Schritte dienen zum Aufrechterhalten der Sicherheit und der Leistungsfähigkeit des Werkzeugs.

Vor Verlassen des Arbeitsplatzes:

- Entfernen Sie den Akkublock und lagern Sie ihn im Werkzeugkoffer. Transportieren und lagern Sie das Werkzeug immer im Werkzeugkoffer.
- Entsorgung Sie leere Zellen immer so, dass diese nicht in Kinderhände gelangen oder zerdrückt, durchstochen oder verbrannt werden könnten.

Nach Beendigung der Arbeiten:

- Setzen Sie den Akkublock bei Bedarf in das Ladegerät ein; dies wird durch die rote Anzeigelampe angezeigt.
- Wischen Sie das Werkzeug mit einem sauberen, weichen Tuch ab.
- Überprüfen Sie den Filter und reinigen Sie diesen bei Verschmutzung.

Reinigen des Luftfilters (Abb. 22)

Drücken Sie die Filterkappe leicht nach oben und nehmen Sie diese ab. Nehmen Sie dann den Filter einfach heraus. Klopfen Sie den Filter vorsichtig aus. Nach der Behandlung mit Wasser und Seife wird der Filter wieder wie neu.

Zur Gewährleistung von SICHERHEIT und ZUVERLÄSSIGKEIT des Produkts sollten Reparaturen, Wartungsarbeiten und Einstellungen nur durch von Makita autorisierte Servicecenter durchgeführt und ausschließlich Makita-Ersatzteile verwendet werden.

Gründliche Reinigung

Wenn beim Auslösen öfters kein Nagel ausgeschossen wird, muss das Werkzeug gründlich gereinigt werden. Nehmen Sie eine Reinigung vor. Detaillierte Anweisungen finden Sie in der beiliegenden Reinigungsanleitung. Wenn Sie Fragen bezüglich der Reinigung haben, wenden Sie sich an Ihr örtliches Makita-Servicecenter.

SONDERZUBEHÖR

⚠️ ACHTUNG:

- Für das in diesem Handbuch beschriebene Makita-Gerät werden die folgenden Zubehör- und Zusatzteile empfohlen. Bei Verwendung anderer Zubehör- und Zusatzteile kann es zu Verletzungen kommen.

Schallpegel

ENG905-1

Typischer A-bewerteter Schallpegel nach EN792:

- Schalldruckpegel (L_{pA}): 89 dB (A)
- Schalleistungspegel (L_{WA}): 102 dB (A)
- Abweichung (K): 3 dB (A)

Tragen Sie Gehörschutz.

Schwingung

ENG904-2

Die Gesamtschwingungsbelastung wird gemäß EN792 bestimmt:

- Schwingungsbelastung (a_{hv}): 2,5 m/s² oder weniger
- Abweichung (K): 1,5 m/s²

ENG901-1

- Der hier angegebene Wert für die erzeugten Schwingungen wurde gemäß dem genormten Testverfahren ermittelt und kann als Vergleich zu anderen Werkzeugen herangezogen werden.
- Der angegebene Wert für die erzeugten Schwingungen ist außerdem für eine vorbeugende Bewertung der Belastung zu verwenden.

⚠️ WARNUNG:

- Die Schwingungsbelastung kann bei tatsächlichem Gebrauch des Elektrowerkzeugs in Abhängigkeit von der Handhabung des Elektrowerkzeugs von dem hier aufgeführten Wert abweichen.
- Stellen Sie sicher, dass Schutzmaßnahmen für den Bediener getroffen werden, die auf den unter den tatsächlichen Arbeitsbedingungen zu erwartenden Belastungen beruhen (beziehen Sie alle Bestandteile des Arbeitsablaufs ein, also zusätzlich zu den Arbeitszeiten auch Zeiten, in denen das Werkzeug ausgeschaltet ist oder ohne Last läuft).

Nur für europäische Länder

ENH003-14

EG-Konformitätserklärung

Wir, Makita Corporation als verantwortlicher Hersteller, erklären, dass die folgenden Geräte der Marke Makita:

Bezeichnung des Geräts:

Gas-Streifen-Nagler

Nummer / Typ des Modells: GN900

in Serienfertigung hergestellt werden und

den folgenden Richtlinien der Europäischen Union genügen:

2006/42/EG

Außerdem werden die Geräte gemäß den folgenden Standards oder Normen gefertigt:

EN792, EN60745

Die technische Dokumentation erfolgt durch:
Makita International Europe Ltd.
Technical Department,
Michigan Drive, Tongwell,
Milton Keynes, Bucks MK15 8JD, England

30. 1. 2009



Tomoyasu Kato
Direktor
Makita Corporation
3-11-8, Sumiyoshi-cho,
Anjo, Aichi, 446-8502, JAPAN

ITALIANO (Istruzioni originali)

Spiegazione della vista generale

- | | | |
|---------------------------|-----------------------------------|--------------------------|
| 1. Occhiali di protezione | 8. Leva del dispositivo di spinta | 15. Ugello |
| 2. Visiera protettiva | 9. Scomparto | 16. Viti |
| 3. Batteria | 10. Elemento di contatto | 17. Gancio |
| 4. Copricella | 11. Chiave esagonale | 18. Coperchio del filtro |
| 5. Grilletto | 12. Pulsante | 19. Filtro |
| 6. Spia luminosa | 13. Valvola di misurazione | |
| 7. Pulsante a pressione | 14. Coperchio | |

CARATTERISTICHE TECNICHE

Modello	GN900
Lunghezza chiodo X Diametro gambo	L. chiodo: 50 mm - 90 mm d: 2,9 mm - 3,3 mm
Capacità chiodi	40 chiodi (1 nastro)
Angolo raccolta chiodi (grado)	34
Tipo di testa chiodo	A semiluna
Dimensioni (L x P x A)	321 mm x 108 mm x 368 mm
Peso netto	3,3 kg
Tensione nominale	7,2 V CC

- Le caratteristiche tecniche riportate di seguito sono soggette a modifiche senza preavviso in virtù del nostro programma continuo di ricerca e sviluppo.
- Le caratteristiche tecniche e le batterie possono differire da paese a paese.
- Peso, comprensivo di batterie, calcolato in base alla Procedura EPTA 01/2003

Simboli

END107-7

Il seguente elenco riporta i simboli utilizzati per questo utensile. È importante comprenderne il significato prima di utilizzare l'utensile.



... Leggere il manuale di istruzioni.



..... Contenitore sotto pressione, evitare le temperature superiori ai 50°C (per es. per radiazione solare) Tenere il contenitore in un luogo ben ventilato.



..... Usare solo all'esterno o in ambienti adeguatamente ventilati. Non inalare il gas.



..... Non usare in prossimità di fiamme né spruzzare su superfici calde. Durante l'uso è possibile che si formi una miscela vapore/aria infiammabile o esplosiva.



..... Non danneggiare, forare o bruciare anche dopo l'uso.



..... Indossare occhiali di protezione.



..... Per evitare l'attivazione accidentale, tenere le dita lontane dal grilletto quando non si utilizza l'utensile.



..... Utilizzare solo in ambienti ventilati, per evitare nausea e perdita di conoscenza. Non utilizzare in ambienti saturi di gas combustibili. Lo scarico dell'utensile può incendiare materiali infiammabili.



..... Non utilizzare su impalcature o scale a pioli.



..... Avvertenza: superficie calda! Non toccare l'area attorno a questo simbolo. Toccare la superficie potrebbe causare ustioni o ferite.



..... Solo per Paesi UE
Non gettare le apparecchiature elettriche o le batterie tra i rifiuti domestici. Secondo le Direttive Europee sui rifiuti di apparecchiature elettriche ed elettroniche, su batterie e accumulatori e sui rifiuti di batterie e di accumulatori, e la sua attuazione in conformità alle norme nazionali, le apparecchiature elettriche e le batterie esauste devono essere raccolte separatamente, al fine di essere riciclate in modo eco-compatibile.

Usò previsto

ENE059-1

L'utensile è progettato per il lavoro interno iniziale, come il fissaggio di travetti del pavimento o l'alloggiamento 2" x 4" di travicelli del tetto e altri oggetti di carpenteria.

Avvertenze generali di sicurezza per l'uso dell'utensile

GEA010-1

⚠ AVVERTENZA Leggere attentamente tutte le avvertenze di sicurezza e le istruzioni. La mancata osservanza delle istruzioni e delle avvertenze riportate di seguito potrebbe provocare scosse elettriche, incendi e/o lesioni gravi.

Conservare le avvertenze e le istruzioni per riferimenti futuri.

Avvertenze di sicurezza per la chiodatrice/spillatrice a batteria

ENB111-4

⚠ AVVERTENZA Leggere attentamente tutte le avvertenze di sicurezza e le istruzioni. La mancata osservanza delle avvertenze e delle istruzioni può condurre a gravi infortuni, folgorazioni e/o incendi.

Conservare tutte le avvertenze e le istruzioni per farvi riferimento in futuro.

Per la sicurezza personale e per un corretto funzionamento e manutenzione dell'utensile, leggere questo manuale di istruzioni prima dell'uso.

Sicurezza generica

- Non permettere a operatori non addestrati di utilizzare l'utensile.
- Non giocare con l'utensile. L'utensile deve essere considerato come un accessorio funzionante.
- Non utilizzarlo sotto l'influenza di alcol, droghe e sostanze simili.
- Non modificarlo in alcun modo.

Dispositivi di protezione individuale

- Indossare sempre gli occhiali di protezione per proteggere gli occhi da polvere o infortuni.
⚠ AVVERTENZA: È responsabilità del datore di lavoro obbligare l'operatore e le persone nelle immediate vicinanze a indossare occhiali di protezione quando l'utensile è in funzione.

Solo per Australia e Nuova Zelanda

Indossare sempre gli occhiali di protezione e la visiera protettiva per proteggere gli occhi da polvere o infortuni. Gli occhiali di protezione e la visiera protettiva devono essere conformi ai requisiti di AS/NZS 1336.

(Fig. 1)

- Indossare una protezione per la testa e una protezione acustica per proteggere le orecchie dal rumore di scarico. Indossare inoltre abiti leggeri e aderenti. Le maniche devono essere abbottonate o rimboccate. Non indossare cravatte.

Sicurezza dell'area di lavoro

- Non adoperare l'utensile in ambienti chiusi o scarsamente ventilati. In caso contrario il monossido di carbonio potrebbe causare vertigini, nausea o perdita di conoscenza.
- L'area di lavoro deve essere pulita e ben illuminata. Le aree disordinate o buie favoriscono gli incidenti.
- Non azionare l'utensile in atmosfere esplosive, ad esempio in presenza di liquidi, gas o polveri

inflammabili. L'azionamento dell'utensile può produrre scintille tali da accendere polveri o fumi.

- Tenere a distanza i bambini e gli astanti durante l'uso dell'utensile. Le distrazioni possono causare una perdita di controllo.
- Illuminare a sufficienza l'area di lavoro.
- Potrebbero esistere delle norme locali in materia di inquinamento acustico che devono essere rispettate mantenendo il livello del rumore entro i limiti prescritti. In alcuni casi è opportuno utilizzare dei ripari per limitare il rumore.

Dispositivi di sicurezza

- Accertarsi che tutti i sistemi di sicurezza funzionino correttamente prima dell'uso. L'utensile non deve avviarsi se viene tirato soltanto il grilletto o se viene soltanto premuto il braccio di contatto contro il legno. Il funzionamento deve avvenire solo quando vengono eseguite entrambe le operazioni. Verificare un eventuale funzionamento anomalo dopo aver scaricato i dispositivi di fissaggio e dopo aver portato il dispositivo di spinta nella posizione completamente tirata.
- Non giocare con l'elemento di contatto: serve a impedire scariche accidentali e pertanto non deve essere rimosso. Anche il bloccaggio del grilletto in posizione ON è molto pericoloso. Non tentare mai di bloccare il grilletto. Non adoperare l'utensile se una parte qualsiasi dei suoi comandi è inutilizzabile, scollegata, alterata o non funzionante.
- Non tenere premuto l'elemento di contatto con filo o nastro adesivo. Potrebbero verificarsi gravi infortuni o il decesso dell'operatore.
- Controllare sempre l'elemento di contatto seguendo le istruzioni del manuale. I dispositivi di fissaggio potrebbero essere spinti accidentalmente se il meccanismo di sicurezza non funziona correttamente.

Caricamento dei dispositivi di fissaggio

- Non caricare i chiodi nell'utensile quando uno qualsiasi dei comandi è attivato.
- Utilizzare soltanto i chiodi specificati in questo manuale. L'utilizzo di un dispositivo di fissaggio diverso può causare problemi di funzionamento dell'utensile.

Alimentazione

- Usare l'utensile solo con la cella a combustibile originale Makita.
- Non toccare il gas liquido fuoriuscito dalla cella a combustibile. Il contatto potrebbe causare lesioni.
- Rischio di incendio ed esplosione. Quando si maneggia la cella a combustibile a fini di stoccaggio, trasporto, inserimento e rimozione dall'utensile e smaltimento:
 - non esporre al sole e a temperature superiori a 50 °C;
 - non fumare;
 - evitare scintille e fiamme libere.
- Rimuovere sempre la batteria e tutti i dispositivi di fissaggio:
 - Se l'utensile viene lasciato incustodito.
 - Prima di eseguire un intervento di manutenzione o riparazione.
 - Prima di rimuovere un inceppamento.
 - Prima di trasferire l'utensile in un'altra posizione.

Sicurezza operativa

- Prima dell'uso controllare le condizioni dell'utensile e l'eventuale presenza di viti allentate. Se necessario, serrare le viti.
- Maneggiare l'utensile con attenzione: al suo interno è presente un'alta pressione potenzialmente pericolosa in caso di spaccature o crepe dovute a un'errata movimentazione (cadute o impatti accidentali). Non tentare di tagliare o incidere l'utensile.
- Interrompere immediatamente l'uso se si riscontrano problemi o comportamenti anomali dell'utensile. Non utilizzare l'utensile se non funziona correttamente.
- Non puntare il foro di espulsione su persone nelle vicinanze. Tenere mani e piedi lontano dall'apertura di espulsione.
- Dare sempre per scontato che l'utensile contenga i dispositivi di fissaggio.
- Non rivolgere l'utensile verso di sé o verso altre persone, indipendentemente dalla presenza dei dispositivi di fissaggio.
- Non forzare l'utensile e non operare di fretta. Maneggiare l'utensile con cura.
- Non attivare l'utensile se non è appoggiato saldamente contro il pezzo in lavorazione.
- Non trasportare l'utensile tenendo il dito sul grilletto e non porgerlo ad altri in questa condizione. Un avviamento accidentale può causare gravi infortuni.
- Non utilizzare mai chiodatrici recanti il simbolo "Non utilizzare su impalcature e scale a pioli" per applicazioni specifiche, ad esempio:
 - se il cambiamento del posto di chiodatura richiede l'utilizzo di impalcature, scale a pioli, montacarichi o strutture analoghe, per esempio travi di legno;
 - Per chiudere scatole o casse di legno.
 - sistemi di sicurezza per il trasporto, per es., veicoli o vagoni;
- Ispezionare con cura pareti, soffitti, pavimenti e tetti per evitare potenziali scosse elettriche, perdite di gas, esplosioni, ecc., causate dal contatto con fili elettrici in tensione, condotti o tubi del gas.
- Non utilizzare l'utensile per il fissaggio di cavi elettrici. Non essendo progettato per il montaggio di cavi elettrici potrebbe danneggiare l'isolamento, causando folgorazioni o incendi.
- Quando si adopera l'utensile, prestare estrema attenzione alla posizione dei piedi cercando di mantenere sempre l'equilibrio. Durante i lavori in quota, accertarsi che l'area sottostante sia sgombra per evitare eventuali pericoli in caso di movimenti bruschi o se l'utensile rimane impigliato.
- Sui tetti e in altre aree sopraelevate occorre applicare i dispositivi di fissaggio mentre ci si sposta in avanti. È facile perdere l'equilibrio se si applicano i dispositivi di fissaggio procedendo all'indietro. Per applicare i dispositivi di fissaggio su una superficie perpendicolare è preferibile procedere dall'alto verso il basso. In questo modo le operazioni risultano meno faticose.
- Se per errore si applica un dispositivo di fissaggio sopra un altro o se si colpisce un nodo del legno, il dispositivo di fissaggio potrebbe piegarsi oppure l'utensile potrebbe incepparsi. Il dispositivo di fissaggio potrebbe venire scagliato via e colpire qualcuno, oppure l'utensile stesso potrebbe reagire

pericolosamente. Posizionare i dispositivi di fissaggio con cura.

- Non tentare di applicare dispositivi di fissaggio su entrambi i lati interno ed esterno nello stesso tempo. I dispositivi di fissaggio potrebbero trapassare e/o essere scagliati con grave pericolo.

Manutenzione

- Eseguire la pulizia e la manutenzione subito dopo la fine del lavoro. Mantenere l'utensile in condizioni ottimali. Lubrificare le parti in movimento per prevenire la ruggine e ridurre al minimo l'usura da attrito. Togliere tutta la polvere dai componenti.
- Richiedere l'ispezione periodica dell'utensile presso un centro assistenza Makita autorizzato.
- Per mantenere la sicurezza e l'affidabilità del prodotto, la manutenzione e le riparazioni devono essere eseguite da un centro assistenza Makita autorizzato, sempre utilizzando ricambi Makita.

CONSERVARE QUESTE ISTRUZIONI.



AVVERTENZA:

NON PERMETTERE che la familiarità acquisita con il prodotto (dovuta all'uso ripetuto) provochi l'inosservanza delle norme di sicurezza. L'USO IMPROPRIO o la mancata osservanza delle norme di sicurezza indicate in questo manuale di istruzioni possono provocare gravi danni alla persona.

ISTRUZIONI IMPORTANTI PER LA SICUREZZA

ENC007-7

RELATIVE ALLA BATTERIA

1. **Prima di utilizzare la batteria, leggere tutte le istruzioni e gli avvisi di sicurezza relativi a (1) caricabatteria, (2) batteria e (3) prodotto utilizzato con la batteria.**
2. **Non smontare la batteria.**
3. **Se il tempo di funzionamento è diventato eccessivamente breve, non utilizzare l'utensile. Potrebbero verificarsi surriscaldamenti, ustioni o esplosioni.**
4. **In caso di contatto dell'elettrolita della batteria con gli occhi, sciacquare con acqua fresca e rivolgersi immediatamente a un medico. Potrebbero verificarsi danni permanenti alla funzionalità visiva.**
5. **Non cortocircuitare la batteria:**
 - (1) **Non toccare i terminali della batteria con materiale in grado di condurre elettricità.**
 - (2) **Evitare di conservare la batteria a contatto con oggetti metallici quali chiodi, monete e così via.**
 - (3) **Non esporre le batterie all'acqua o alla pioggia.**

Un cortocircuito può provocare un elevato flusso di corrente, surriscaldamento, ustioni o rotture.
6. **Non conservare l'utensile e la batteria a una temperatura superiore a 50 °C.**

7. Evitare di smaltire le batterie danneggiate o esaurite bruciandole. Se esposte al fuoco, le batterie possono esplodere.
8. Evitare di far cadere o di colpire la batteria.
9. Non utilizzare batterie danneggiate.

CONSERVARE QUESTE ISTRUZIONI.

Suggerimenti il prolungamento della durata della batteria

1. Caricare le batterie prima di scaricarle completamente.
Se si nota una diminuzione di potenza dell'utensile, interrompere il lavoro e ricaricare la batteria.
2. Non ricaricare una batteria già completamente carica.
In caso contrario, la durata operativa della batteria potrebbe ridursi.
3. Caricare la batteria in ambienti con temperatura compresa tra 10 °C e 40 °C. Prima di caricare una batteria surriscaldata, lasciarla raffreddare.
4. Caricare la batteria una volta ogni sei mesi se l'utensile rimane inutilizzato per lungo tempo.

Informazioni generali sulla chiodatrice (Fig. 2)

DESCRIZIONE FUNZIONALE

ATTENZIONE:

- Prima di regolare o controllare il funzionamento dell'utensile, rimuovere la cella a combustibile, la batteria e i chiodi.

Installazione o rimozione della batteria (Fig. 3)

- Prima di inserire o rimuovere la batteria, spegnere sempre l'utensile.
- Per rimuovere la batteria, estrarla dall'utensile premendo il pulsante sul lato della batteria, come illustrato in figura. (Fig. 4)
- Per inserire la batteria, tenerla in modo tale che la sua forma anteriore si adatti a quella dell'apertura del vano batteria e farla scorrere in posizione. Inserire la batteria fino a quando si blocca in posizione con uno scatto. In caso contrario la batteria può fuoriuscire accidentalmente e provocare lesioni all'operatore o a chi si trova nelle vicinanze.
- Non applicare una forza eccessiva per inserire la batteria. Se la batteria non scorre agevolmente, la manovra di inserimento non è corretta.

Cella a combustibile

Collegamento della valvola di misurazione alla cella a combustibile (Fig. 5)

Staccare il coperchio (nel caso in cui la valvola di misurazione ne sia dotata). (Fig. 6)

Spingere all'interno la parte anteriore. (Fig. 7)

Spingere all'interno la parte posteriore fino a che sia correttamente inserita.

Inserimento della cella a combustibile (Fig. 8)

Per aprire, spingere verso l'alto e tirare il coperchio della cella. (Fig. 9)

Inserire la cella a combustibile dirigendo l'ugello della valvola di misurazione verso l'adattatore. (Fig. 10)

Inserire correttamente l'ugello nel piccolo foro dell'adattatore. (Fig. 11)

Disporre il copricella sulla valvola di misurazione e spingerlo in basso per chiuderlo.

Regolazione della profondità di chiodatura

ATTENZIONE:

- Prima di regolare la profondità di chiodatura rimuovere la cella a combustibile, la batteria e i chiodi. (Fig. 12)
Con la chiave esagonale, allentare le due viti e spostare l'elemento di contatto. Stringere di nuovo saldamente le due viti.

Spia luminosa

Il colore della spia luminosa ha il seguente significato.

Verde lampeggiante: stato normale

Rosso lampeggiante: la batteria richiede di essere ricaricata

Rosso: ricaricare la batteria. Non è possibile eseguire la chiodatura per la mancanza di carica della batteria.

Arancione lampeggiante: Si raccomanda una pulizia accurata. Far riferimento alla sezione "MANUTENZIONE" per una pulizia accurata all'interno dell'utensile. Per interrompere l'arancione lampeggiante della spia luminosa, spingere l'elemento di contatto per cinque secondi, poi spingerlo per cinque volte.

Arancione lampeggiante dopo verde e rosso lampeggianti alternativamente: è in corso la ricerca di guasti. Per ripristinare, estrarre e reinserire la batteria. Se viene di nuovo avviata la ricerca di guasti, si tratta di una condizione di malfunzionamento. Rivolgersi al centro di assistenza Makita di zona per la riparazione.

Installazione del gancio (Fig. 13)

Il gancio è utile per appendere temporaneamente l'utensile. Il gancio può essere disposto in due posizioni, a seconda di dove l'utensile andrà agganciato.

Per cambiare la posizione del gancio, premere alla base spingendo da entrambi i lati e spostarlo nella nuova posizione.

MONTAGGIO

ATTENZIONE:

- Rimuovere sempre la cella a combustibile e la batteria.

Caricamento della chiodatrice (Fig. 14)

Inserire un nastro di chiodi nella fessura posteriore dello scomparto. (Fig. 15)

Tirare la leva del dispositivo di spinta fino alla parte posteriore dello scomparto e riportarla delicatamente alla fine del nastro. (Fig. 16)

Inserire i chiodi parallelamente alla guida.

Rimozione dei chiodi (Fig. 17)

Tirare la leva del dispositivo di spinta e spingere il pulsante a pressione per rilasciare il supporto dei chiodi, quindi riportare la leva in alto, spingendo il pulsante a pressione.

Far scorrere i chiodi verso l'estremità posteriore dello scomparto e rimuoverli.

USO

AVVERTENZA:

- **Non toccare l'area delle aperture di ventilazione.** La superficie diventa molto calda durante o dopo il funzionamento. Toccare l'area delle aperture di ventilazione potrebbe causare ustioni o ferite.

ATTENZIONE:

- Prima dell'uso, accertarsi che tutti i sistemi di sicurezza funzionino correttamente. (Fig. 18)
- 1. Per inserire un chiodo, disporre l'elemento di contatto contro il pezzo.

Il motore della ventola viene attivato, il gas viene iniettato nella camera di combustione e miscelato con l'aria dalla ventola. (Fig. 19)

2. Premere con forza l'elemento di contatto e premere il grilletto.

Il gas viene bruciato, espellendo il chiodo.

3. Per attivare un'altra espulsione occorre rilasciare sia l'elemento di contatto che il grilletto.

Meccanismo di prevenzione del funzionamento a vuoto

Si tratta di un meccanismo che impedisce di attivare l'utensile in assenza di chiodi.

La prevenzione del funzionamento a vuoto entra automaticamente in funzione quando rimangono 4-7 chiodi.

Inceppamento della chiodatrice

ATTENZIONE:

- Prima di rimuovere un inceppamento rimuovere sempre la cella a combustibile e la batteria.

Quando la chiodatrice si inceppa, procedere come segue.

1. Rimuovere la cella a combustibile, la batteria e i chiodi. (Fig. 20)
2. Con la chiave esagonale, allentare le due viti di montaggio del comparto. (Fig. 21)
3. Tirare indietro l'impugnatura e lo scomparto ed eliminare l'inceppamento.
4. Rimettere a loro posto l'impugnatura e lo scomparto e stringere le viti di fissaggio.
5. Ricaricare un nastro di chiodi.

AVVERTENZA:

- **Assicurarsi che le viti di fissaggio dello scomparto siano ben serrate e che lo scomparto sia stretto contro la parte anteriore dell'utensile.** L'attivazione dell'utensile con lo scomparto non ben fissato può risultare nella perdita di controllo dei chiodi, in danni all'utensile o nella scarica di chiodi verso l'operatore.

MANUTENZIONE

ATTENZIONE:

- Prima di ogni controllo o manutenzione rimuovere sempre la cella a combustibile, la batteria e i chiodi.
- Evitare assolutamente di usare benzina, diluenti, solventi, alcol o sostanze simili. In caso contrario, potrebbero verificarsi scoloriture, deformazioni o incrinature.

Manutenzione giornaliera.

Alla fine dell'uso giornaliero occorre svolgere le normali operazioni di manutenzione giornaliera.

Questi semplici passi contribuiscono a preservare la sicurezza e il rendimento dell'utensile.

Prima di lasciare il luogo di lavoro:

- Rimuovere la batteria e riporla in una custodia per l'utensile. Utilizzare sempre la custodia per il trasporto e lo stoccaggio dell'utensile.
- Smaltire tutte le celle vuote, rotte, forate o bruciate in punti non accessibili ai bambini.

Arrivati a casa:

- Inserire la batteria nel caricabatteria se la spia rossa indica un basso livello di carica.
- Strofinare l'utensile con un panno morbido e pulito.
- Ispezionare il filtro e pulirlo se presenta residui di polvere.

Pulizia del filtro dell'aria (Fig. 22)

Premere leggermente verso l'alto il coperchio del filtro e rimuoverlo, quindi estrarre il filtro. Scuotere leggermente il filtro per rimuovere le impurità. Il filtro viene riportato quasi a nuovo con acqua e sapone. Per preservare la SICUREZZA e l'AFFIDABILITÀ del prodotto, qualsiasi riparazione o intervento di manutenzione e regolazione deve essere eseguito dai centri assistenza autorizzati Makita utilizzando sempre ricambi Makita originali.

Pulizia accurata

Se si verificano funzionamenti a vuoto frequenti, l'utensile deve essere pulito con cura.

Per ulteriori dettagli e per eseguire la pulizia, consultare l'apposita guida.

Per ogni dubbio riguardo la pulizia, si prega di rivolgersi al centro di assistenza Makita di zona.

ACCESSORI OPZIONALI

⚠ ATTENZIONE:

- Si consiglia l'uso dei seguenti accessori per l'utensile Makita descritto in questo manuale. L'uso di qualsiasi altro accessorio potrebbe provocare lesioni personali. Utilizzare gli accessori esclusivamente per l'uso dichiarato.

Per l'assistenza e per ulteriori informazioni su tali accessori, rivolgersi al centro assistenza Makita di zona.

- Chiodi
- Occhiali di protezione
- Cella a combustibile
- Kit di pulizia
- Batteria e caricabatteria originali Makita

NOTA:

- Alcuni degli accessori elencati potrebbero essere inclusi nella confezione dell'utensile come accessori standard. Gli accessori standard possono differire da paese a paese.

Rumore

ENG905-1

Il tipico livello di rumore ponderato "A" è determinato in conformità con la norma EN792:

Livello di pressione sonora (L_{pA}): 89 dB (A)

Livello di potenza sonora (L_{WA}): 102 dB (A)

Variazione (K): 3 dB (A)

Indossare una protezione acustica.

Vibrazione

ENG904-2

Il valore totale delle vibrazioni è determinato in conformità alla norma EN792:

Emissione delle vibrazioni (a_h): 2,5 m/s² o inferiore

Variazione (K): 1,5 m/s²

ENG901-1

- Il valore di emissione delle vibrazioni dichiarato è stato misurato in conformità con il metodo di test standard e può essere utilizzato per confrontare tra loro diversi utensili.
- Il valore dell'emissione delle vibrazioni dichiarato può anche essere usato per stime preliminari dell'esposizione.

⚠ AVVERTENZA:

- L'emissione delle vibrazioni durante l'uso effettivo dell'utensile elettrico può risultare diversa rispetto al valore dichiarato, in base alla modalità d'uso dell'utensile.
- Assicurarsi di individuare le necessarie misure di sicurezza per proteggere l'operatore in base a una stima dell'esposizione nelle condizioni reali di utilizzo (prendendo in considerazione tutte le fasi del ciclo operativo, come quante volte l'utensile viene spento e i periodi in cui rimane inattivo, oltre al tempo di avviamento).

Solo per i paesi europei

ENH003-14

Dichiarazione di conformità CE

Makita Corporation, in qualità di produttore responsabile, dichiara che gli utensili Makita indicati di seguito:

Denominazione dell'utensile:

Chiodatrice a batteria per chiodi con testa a semiluna

N. modello/Tipo: GN900

appartengono a una produzione in serie e

sono conformi alle seguenti direttive europee:

2006/42/EC

Sono inoltre prodotti in conformità con gli standard o i documenti standardizzati riportati di seguito:

EN792, EN60745

La documentazione tecnica viene conservata da:

Makita International Europe Ltd.
Technical Department,
Michigan Drive, Tongwell,
Milton Keynes, Bucks MK15 8JD, Inghilterra

30. 1. 2009



Tomoyasu Kato

Direttore

Makita Corporation

3-11-8, Sumiyoshi-cho,
Anjo, Aichi, 446-8502, JAPAN

NEDERLANDS (Originele instructies)

Verklaring van algemene gegevens

- | | | |
|--------------------------------|---------------------|------------------|
| 1. Veiligheidsbril | 8. Aandrukkerhendel | 15. Spuitmond |
| 2. Spatscherm | 9. Magazijn | 16. Schroeven |
| 3. Accu | 10. Contactschoen | 17. Haak |
| 4. Deksel van brandstofpatroon | 11. Inbussleutel | 18. Filterdeksel |
| 5. Trekker | 12. Knop | 19. Filter |
| 6. Bedrijfslampje | 13. Meetklep | |
| 7. Aandrukkerknop | 14. Dop | |

TECHNISCHE GEGEVENS

Model	GN900
Nagellengte en diameter	Nagellengte: 50 mm - 90 mm Diameter: 2,9 mm - 3,3 mm
Nagelcapaciteit	40 nagels (1 strip)
Nagelhoek (graden)	34
Vorm van nagelkop	Afgeknipt
Afmetingen (L x B x H)	321 mm x 108 mm x 368 mm
Netto gewicht	3,3 kg
Nominale spanning	7,2 V gelijkstroom

- Als gevolg van ons doorlopende onderzoeks- en ontwikkelingsprogramma, zijn de technische gegevens van dit gereedschap onderhevig aan veranderingen zonder voorafgaande kennisgeving.
- Specificaties en accu's kunnen van land tot land verschillen.
- Gewicht, inclusief de accu, volgens de EPTA-procedure 01/2003

Symbolen

END107-7

Hieronder staan de symbolen die voor dit gereedschap worden gebruikt. Zorg ervoor dat u weet wat ze betekenen alvorens het gereedschap te gebruiken.



... Lees de gebruiksaanwijzing.



..... De houder staat onder druk. Houd deze uit de buurt van temperaturen hoger dan 50°C (bijv. zonnestralen). Bewaar de houder in een goed geventileerde ruimte.



..... Gebruik alleen buiten of in een goed geventileerde ruimte. Adem het gas niet in.



..... Gebruik niet in de buurt van open vuur of spuitvloeistoffen op warme oppervlakken. Tijdens het gebruik kan een brandbaar of explosief damp-luchtmengsel worden gevormd.



..... Ook na gebruik mag u de houder niet beschadigen, doorboren of verbranden.



..... Draag een veiligheidsbril.



..... Houd uw vingers uit de buurt van de trekker wanneer u niet wilt nagelen om het per ongeluk afschieten van nagels te voorkomen.



..... Gebruik uitsluitend op geventileerde plaatsen om misselijkheid en flauwvallen te voorkomen. Gebruik het gereedschap nooit in een omgeving met brandbare materialen. De uitlaat van het gereedschap kan de brandbare materialen doen ontbranden.



..... Gebruik het gereedschap niet op een steiger of ladder.



..... Waarschuwing: heet oppervlak! Raak het gereedschap niet aan rond dit symbool. Door het oppervlak aan te raken kunnen brandwonden ontstaan.



..... Alleen voor EU-landen
Geef elektrisch gereedschap en accu's niet met het huisvuil mee!
Volgens de Europese richtlijn inzake oude elektrische en elektronische apparaten, en inzake batterijen en accu's en oude batterijen en accu's, en de toepassing daarvan binnen de nationale wetgeving, dienen elektrisch gereedschap, accu's en batterijen die het einde van hun levensduur hebben bereikt, gescheiden te worden ingezameld en te worden afgevoerd naar een recyclebedrijf dat voldoet aan de geldende milieu-eisen.

Gebruiksdoeleinden

ENE059-1

Dit gereedschap is bedoeld voor het uitvoeren van voorbereidende werkzaamheden binnenshuis, zoals het vastzetten van vloerbalken of daksporen, en voor het maken van 2" x 4"-skeletten in huizenbouw.

Algemene veiligheids waarschuwingen voor elektrisch gereedschap

GEA010-1

⚠ WAARSCHUWING Lees alle veiligheids waarschuwingen en alle instructies. Het niet volgen van de waarschuwingen en instructies kan leiden tot elektrische schokken, brand en/of ernstig letsel.

Bewaar alle waarschuwingen en instructies om in de toekomst te kunnen raadplegen.

Veiligheids waarschuwingen specifiek voor een accunagelpistool/-nietpistool

ENB111-4

⚠ WAARSCHUWING Lees alle veiligheids waarschuwingen en alle instructies. Het niet volgen van de waarschuwingen en instructies kan leiden tot ernstig letsel, elektrische schokken en/of brand.

Bewaar alle waarschuwingen en instructies om in de toekomst te kunnen raadplegen.

Omwille van uw persoonlijke veiligheid en de juiste werking en onderhoud van het gereedschap, leest u deze gebruiksaanwijzing alvorens het gereedschap te gebruiken.

Algemene veiligheid

- Laat personen zonder onderricht het gereedschap niet gebruiken.
- Speel er niet mee. Respecteer het gereedschap als werkinstrument.
- Bedien het gereedschap niet onder invloed van alcohol, drugs en dergelijke.
- Breng nooit wijzigingen aan in het gereedschap.

Persoonlijke-veiligheidsuitrusting

- Draag altijd een veiligheidsbril om uw ogen te beschermen tegen letsel door stof of bevestigingsmiddelen.

⚠ WAARSCHUWING: Het is de verantwoordelijkheid van de werkgever om ervoor te zorgen dat veiligheidsmiddelen voor oogbescherming gebruikt worden door de gebruikers van het gereedschap en anderen in de onmiddellijke omgeving van de werkplek.

Alleen voor Australië en Nieuw-Zeeland

Draag altijd een veiligheidsbril en spatscherm om uw ogen te beschermen tegen letsel door stof of bevestigingsmiddelen. De veiligheidsbril en het spatscherm dienen te voldoen aan de vereisten van AS/NZS 1336 (zie afb. 1).

- Draag gehoorbescherming om uw oren te beschermen tegen het uitlaatgeluid en draag hoofdbescherming. Draag tevens lichte maar geen losse kleding. Manchetten moeten dichtgeknoopt zijn of de mouwen moeten worden opgerold. Draag geen stropdas.

Veiligheid op de werkplek

- Gebruik het gereedschap nooit in een gesloten of slecht geventileerde ruimte. Anders kan koolmonoxide duizeligheid, misselijkheid of verlies van bewustzijn veroorzaken.
- Houd uw werkplek schoon en zorg voor goede verlichting. Op een rommelige of donkere werkplek gebeuren vaker ongelukken.
- Bedien het gereedschap niet in een omgeving met explosiegevaar, zoals een omgeving met explosieve vloeistoffen, gassen of stof. Door het gereedschap te bedienen, kunnen vonken ontstaan die de dampen of het stof kunnen ontsteken.
- Houd kinderen en omstanders uit de buurt tijdens het gebruik van gereedschap. Door afleiding kunt u de controle over het gereedschap verliezen.
- Zorg voor voldoende verlichting van het werkgebied.
- Er kunnen plaatselijk regels gelden met betrekking tot geluid, waaraan u zich dient te houden door de geluidsproductie onder het voorgeschreven niveau te houden. In bepaalde gevallen moeten geluidsschermen worden gebruikt om het geluidsniveau te beperken.

Veiligheidsvoorzieningen

- Controleer voor gebruik dat alle beveiligingssysteem goed werken. Het gereedschap mag niet werken als alleen de trekker wordt ingeknepen of als alleen de contactschoen op het hout wordt gedrukt. Het gereedschap mag alleen werken als beide handelingen tegelijkertijd worden uitgevoerd. Test op mogelijke defecte werking wanneer geen bevestigingsmiddelen zijn geladen en de aandrukker helemaal uitgetrokken is.
- Speel niet met de contactschoen: het voorkomt per ongeluk afgaan, dus moet het blijven zitten en mag niet worden verwijderd. De trekker in ingeschakelde stand vergrendelen is ook erg gevaarlijk. Probeer nooit de trekker vast te zetten. Bedien het gereedschap niet als enig onderdeel van de bedieningselementen van het gereedschap niet kan worden bediend, is losgekoppeld, gewijzigd of niet goed werkt.
- Probeer niet de contactschoen voortdurend ingedrukt te houden met tape of draad. Dit kan leiden tot de dood of ernstig letsel.
- Controleer altijd de contactschoen volgens de instructies in deze gebruiksaanwijzing. Als het veiligheidsmechanisme niet goed werkt, kunnen bevestigingsmiddelen per ongeluk worden geschoten.

Bevestigingsmiddelen laden

- Laad geen nagels in het gereedschap wanneer een van de bedieningselementen is ingeschakeld.
- Gebruik uitsluitend bevestigingsmiddelen die in deze gebruiksaanwijzing worden aangegeven. Door een ander soort bevestigingsmiddel te gebruiken, kan een storing in het gereedschap worden veroorzaakt.

Voeding

- Gebruik het gereedschap uitsluitend met een origineel Makita-brandstofpatroon.
- Raak het vloeibare gas dat uit de brandstofpatroon spuit niet aan. Aanraking kan leiden tot letsel.
- Risico van brand en explosie Wanneer u de brandstofpatroon hanteert om hem in het gereedschap te plaatsen of eruit te verwijderen, te bewaren, te vervoeren of weg te gooien:
 - mag u hem niet blootstellen aan zonlicht en temperaturen hoger dan 50 °C;
 - mag u niet roken, en
 - vermijdt u vonken en open vuur.
- Verwijder altijd de accu en verwijder alle bevestigingsmiddelen:
 - als u het gereedschap onbeheerd achterlaat;
 - alvorens enige onderhouds- of reparatiewerkzaamheden uit te voeren;
 - alvorens vastgelopen bevestigingsmiddelen te verwijderen, en
 - alvorens het gereedschap naar een andere plaats over te brengen.

Bedrijfsveiligheid

- Controleer voor gebruik het gereedschap altijd eerst op algehele conditie en loszittende schroeven. Draai deze zo nodig vast.
- Hanteer het gereedschap voorzichtig, aangezien er binnenin het gereedschap een hoge druk is die gevaar oplevert als een barst ontstaat door grove behandeling (laten vallen of stoten). Probeer niet in het gereedschap te snijden of graven.
- Stop onmiddellijk met bevestigen als u een probleem of iets vreemds opmerkt aan het gereedschap. Als het gereedschap niet juist werkt, mag het niet worden gebruikt.
- Richt de schietmond nooit op iemand in de buurt. Houd handen en voeten uit de buurt van de schietmond.
- Ga er altijd vanuit dat in het gereedschap bevestigingsmiddelen zitten.
- Richt het gereedschap niet op uzelf of anderen, ongeacht of er bevestigingsmiddelen in zitten of niet.
- Ga niet haastig te werk en forceer het gereedschap niet. Wees voorzichtig wanneer u het gereedschap hanteert.
- Schakel het gereedschap niet in als dit niet stevig tegen het werkstuk wordt gedrukt.
- Houd het gereedschap nooit vast en draag het nooit met een vinger om de trekker, en rijk het niet iemand aan op deze manier. Als de trekker per ongeluk wordt ingeknepen, kan ernstig letsel ontstaan.
- Gebruik nooit elektrisch bevestigingsgereedschap met daarop het symbool "Niet gebruiken op steigers en ladders" bij bepaalde toepassingen, bijvoorbeeld:
 - als bij het veranderen van een werkplek naar de volgende, gebruik gemaakt wordt van een steiger, trap, ladder of soortgelijke constructies, bijv. daklatten;
 - bij het sluiten van dozen of kratten, en
 - bij het monteren van transportbeveiligingssystemen, bijv. op voertuigen en aanhangers.
- Controleer muren, plafonds, vloeren en dergelijke grondig om te voorkomen dat door het nagelen in

- elektrische draden, pijpen of gasleidingen een elektrische schok, gaslek, explosie, enz., kan ontstaan.
- Gebruik het gereedschap niet voor het bevestigen van elektriciteitskabels. Het is niet ontworpen voor de installatie van elektriciteitskabels en kan de isolatie van de kabels beschadigen en hierdoor elektrische schokken of brandgevaar veroorzaken.
- Zorg ervoor dat u tijdens het gebruik van het gereedschap stevig staat en uw evenwicht goed bewaart. Controleer dat er niemand onder u staat wanneer u op een hoge plaats werkt om gevaarlijke situaties te voorkomen als u plotseling uit balans raakt.
- Op daken en andere hoge plaatsen brengt u de bevestigingsmiddelen aan terwijl u voorwaarts beweegt. U glijdt gemakkelijk weg als u bevestigingsmiddelen aanbrengt terwijl u achterwaarts kruipt. Als u in een rechtopstaande ondergrond bevestigingsmiddelen aanbrengt, werkt u van boven naar beneden. U kunt op deze manier bevestigingsmiddelen aanbrengen zonder snel vermoeid te raken.
- Een bevestigingsmiddel zal krom gaan of het gereedschap kan vastlopen als u per ongeluk een bevestigingsmiddel aanbrengt bovenop een andere bevestigingsmiddel of in een knoest in het hout. Het bevestigingsmiddel kan wegschieten en iemand raken, of het gereedschap zelf kan gevaarlijk terugslaan. Kies de plaats voor de bevestigingsmiddelen met zorg.
- Probeer nooit zowel van binnenuit als van buitenaf bevestigingsmiddelen aan te brengen. De bevestigingsmiddelen kunnen er dwars doorheen schieten of afketsen en een groot gevaar opleveren.

Reparatie

- Voer de reinigings- en onderhoudswerkzaamheden uit onmiddellijk nadat het werk is voltooid. Houd het gereedschap in optimale conditie. Smeer bewegende delen om roesten te voorkomen en slijtage door wrijving te minimaliseren. Veeg alle stof van de onderdelen af.
- Vraag een erkend Makita-servicecentrum regelmatig het gereedschap te inspecteren.
- Om de VEILIGHEID en BETROUWBAARHEID van het gereedschap te handhaven, dienen alle reparaties en onderhoud te worden uitgevoerd door een erkend Makita-servicecentrum, en altijd met gebruikmaking van originele Makita-ervangingsonderdelen.

BEWAAR DEZE INSTRUCTIES



WAARSCHUWING:

Laat u NIET misleiden door een vals gevoel van comfort en bekendheid met het gereedschap (na veelvuldig gebruik) en neem alle veiligheidsvoorschriften van het betreffende product altijd strikt in acht. VERKEERD GEBUIK of het niet volgen van de veiligheidsinstructies in deze gebruiksaanwijzing kan leiden tot ernstig persoonlijk letsel.

BELANGRIJKE VEILIGHEIDSLINSTRUCTIES

ENC007-7

VOOR ACCU'S

1. Alvorens de accu in gebruik te nemen, leest u eerst alle instructies en waarschuwingsopdrachten op (1) de acculader, (2) de accu en (3) het apparaat waarin de accu wordt aangebracht.
2. Haal de accu niet uit elkaar.
3. Als de gebruikstijd aanzienlijk korter is geworden, stopt u onmiddellijk met het gebruik. Anders kan dit leiden tot kans op oververhitting, mogelijke brandwonden en zelfs een explosie.
4. Als de elektrolyt in uw ogen komt, wast u deze uit met schoon water en raadpleegt u onmiddellijk een arts. Dit kan leiden tot verlies van gezichtsvermogen.
5. Sluit de accu niet kort:
 - (1) Raak de accupolen niet aan met enig geleidend materiaal.
 - (2) Bewaar de accu niet op een plaats waar deze in aanraking kan komen met andere metalen voorwerpen, zoals spijkers, munten, enz.
 - (3) Stel de accu niet bloot aan water of regen. Kortsluiting van de accu kan leiden tot een hoge stroomsterkte, oververhitting, mogelijke brandwonden en zelfs een defect.
6. Bewaar het gereedschap en de accu niet op plaatsen waar de temperatuur kan oplopen tot 50 °C of hoger.
7. Werp de accu niet in een vuur, zelfs niet als deze al ernstig beschadigd of helemaal versleten is. De accu kan in een vuur exploderen.
8. Wees voorzichtig dat u de accu niet laat vallen of ergens tegenaan stoot.
9. Gebruik nooit een beschadigde accu.

BEWAAR DEZE INSTRUCTIES.

Tips voor een lange levensduur van de accu

1. Laad de accu op voordat deze volledig leeg is. Wanneer u merkt dat het gereedschap minder vermogen heeft, stopt u met het gebruik ervan en laadt u eerst de accu op.
2. Laad nooit een volledig opgeladen accu op. Te lang opladen verkort de levensduur van de accu.
3. Laad de accu op bij een omgevingstemperatuur van 10 °C tot 40 °C. Laat een warme accu eerst afkoelen voordat u deze oplaadt.
4. Laad de accu ieder half jaar op als u deze gedurende een lange tijd niet gebruikt.

Overzicht van het nagelpistool (zie afb. 2)

BESCHRIJVING VAN DE FUNCTIES

LET OP:

- Verwijder altijd de brandstofpatroon, de accu en alle nagels alvorens het gereedschap in te stellen of de werking ervan te controleren.

De accu aanbrengen en verwijderen (zie afb. 3)

- Schakel het gereedschap altijd uit voordat u de accu aanbrengt of verwijdert.
- Om de accu te verwijderen, drukt u op de knop aan de zijkant van de accu en trekt u tegelijkertijd de accu uit het gereedschap, zoals aangegeven in de afbeelding. (zie afb. 4)
- Om de accu aan te brengen, houdt u de accu zodanig vast dat de vorm aan de voorkant van de accu past in de accuplaatsingsopening van het gereedschap, en schuift u de accu op zijn plaats. Steek de accu zo ver mogelijk in het gereedschap tot u een klikgeluid hoort. Als u dit niet doet, kan de accu per ongeluk uit het gereedschap vallen en u of anderen in uw omgeving verwonden.
- Oefen geen grote kracht uit bij het aanbrengen van de accu. Als de accu niet gemakkelijk in het gereedschap kan worden gestoken, wordt deze niet goed aangebracht.

Brandstofpatroon

De meetklep op de brandstofpatroon aanbrengen (zie afb. 5)

Verwijder de dop (in het geval de meetklep met een dop wordt geleverd). (zie afb. 6)

Duw de voorrand omlaag. (zie afb. 7)

Duw de achterrand omlaag tot deze op zijn plaats vastzit.

De brandstofpatroon aanbrengen (zie afb. 8)

Duw omhoog en trek aan het deksel van de brandstofpatroon om deze te verwijderen. (zie afb. 9)

Plaats de brandstofpatroon in het gereedschap met de spuitmond van de meetklep in de richting van de adapter. (zie afb. 10)

Steek de spuitmond stevig in de kleine opening van de adapter. (zie afb. 11)

Plaats het deksel van de brandstofpatroon over de meetklep en druk het omlaag om het vast te zetten.

De nageldiepte instellen

LET OP:

- Verwijder altijd de brandstofpatroon, de accu en alle nagels alvorens de nageldiepte in te stellen. (zie afb. 12)

Draai met behulp van de inbussleutel de twee schroeven los en stel de contactschroeven in. Draai de twee schroeven stevig vast.

Bedrijfslampje

De kleur van het bedrijfslampje heeft de volgende betekenis:

Knippert groen: Dit is de normale toestand.

Knippert rood: De accu moet worden opgeladen.

Brandt rood: Laad de accu op. U kunt niet meer nagelen omdat de accu leeg is.

Knippert oranje: Een grondige reiniging wordt aanbevolen. Raadpleeg het hoofdstuk "ONDERHOUD" om de binnenkant van het gereedschap grondig te reinigen. Om het oranje knipperen van het bedrijfslampje terug te stellen, houdt u de contactschoen gedurende vijf seconden ingedrukt en vervolgens drukt u de contactschoen vijf keer in.

Knippert oranje na afwisselend groen en rood te hebben geknippert: De storingsdetectie is in werking getreden. Haal de accu uit het gereedschap en plaats deze weer terug op de haak. Als de storingsdetectie opnieuw in werking treedt, is een storing opgetreden. Vraag uw plaatselijke Makita-servicecentrum om hem te repareren.

De haak aanbrengen (zie afb. 13)

De haak is handig om het gereedschap tijdelijk aan op te hangen. De haak kan in twee standen worden gezet, afhankelijk van waar het gereedschap wordt opgehangen. Om naar de andere stand te veranderen, knijpt u de haak aan de basis aan beide zijden in, en verplaatst u de haak naar de andere stand.

ONDERDELEN AANBRENGEN/ VERWIJDEREN

LET OP:

- Verwijder altijd de brandstofpatroon en accu.

Nagels laden (zie afb. 14)

Plaats een strip nagels in de gleuf in de achterkant van het magazijn. (zie afb. 15)

Trek de aandrukkerhendel naar de achterkant van het magazijn en plaats deze voorzichtig terug tot het uiteinde van de strip nagels. (zie afb. 16)

Laad de nagels zodanig bij dat ze parallel liggen aan de stootgeleider.

Nagels verwijderen (zie afb. 17)

Trek aan de aandrukkerhendel en duw tegen de aandrukkerknop om de nagelsteun te ontgrendelen, en plaats daarna de aandrukkerhendel terug naar boven door tegen de aandrukkerknop te duwen. Schuif de nagels naar de achterkant van het magazijn en haal ze eruit.

BEDIENING

WAARSCHUWING:

- **Raak het gebied rondom de luchtuitlaatopening niet aan.** Het oppervlak zal erg heet zijn tijdens en vlak na het gebruik. Door het oppervlak rondom de luchtuitlaatopening aan te raken kunnen brandwonden ontstaan.

LET OP:

- Controleer voor gebruik dat alle beveiligingssystemen goed werken. (zie afb. 18)

1. Om te nagelen, plaatst u de contactschoen op het werkstuk.

De ventilatormotor wordt ingeschakeld, gasvormige brandstof wordt in de verbrandingskamer gespoten en door de ventilator met lucht gemengd. (zie afb. 19)

2. Houd de contactschoen stevig op het werkstuk gedrukt en knijp de trekker in.

Het brandstof-luchtmengsel wordt ontstoken en de nagel wordt in het werkstuk geschoten.

3. De volgende nagel kan pas worden geschoten nadat eerst de contactschoen en de trekker zijn losgelaten.

Anti-droogschietmechanisme

Dit is een mechanisme dat voorkomt dat het gereedschap afgaat zonder dat een nagel aanwezig is. De droogschietpreventie treedt automatisch in werking wanneer slechts 4 tot 7 nagels resteren.

Vastgelopen nagelpistool

LET OP:

- Verwijder altijd de brandstofpatroon en accu alvorens een verstopping op te heffen.

Wanneer het nagelpistool vastloopt, gaat u als volgt te werk:

1. Verwijder de brandstofpatroon, de accu en alle nagels. (zie afb. 20)
2. Draai met behulp van de inbussleutel de twee bevestigingsschroeven van het magazijn los. (zie afb. 21)
3. Trek het magazijn los van de neus van het gereedschap en hef de verstopping op.
4. Lijn het magazijn uit met de neus van het gereedschap en draai de bevestigingsschroeven weer vast.
5. Plaats weer een strip nagels in het gereedschap.

WAARSCHUWING:

- **Zorg ervoor dat de bevestigingsschroeven van het magazijn stevig aangedraaid zijn en dat het magazijn tegen de neus komt.** Als u probeert met het gereedschap te nagelen terwijl het magazijn los zit, zal u de controle over het gereedschap verliezen, het gereedschap beschadigd raken of een nagel op de gebruiker worden afgeschoten.

ONDERHOUD

LET OP:

- Verwijder altijd de brandstofpatroon, de accu en alle nagels alvorens inspectie- of onderhoudswerkzaamheden uit te voeren.
- Gebruik nooit benzine, wasbenzine, thinner, alcohol, enz. Dit kan leiden tot verkleuren, vervormen of barsten.

Dagelijkse onderhoudswerkzaamheden

Aan het einde van de werkdag, voert u de dagelijkse onderhoudswerkzaamheden uit.

Deze simpele stappen zijn bedoeld om de veiligheid en prestaties van het gereedschap te garanderen.

Alvorens u het werkterrein verlaat:

- Verwijder de accu uit het gereedschap en berg deze op in de draagdoos van het gereedschap. Gebruik altijd de draagdoos van het gereedschap om het gereedschap te vervoeren en op te bergen.
- Gooi alle brandstofpatronen zodanig weg dat ze niet kunnen worden gevonden door kinderen, geplet, doorboord of verbrand.

Nadat u thuis bent:

- Doe de accu in de acculader als deze opgeladen moet worden volgens het rode bedruijtslampje.
- Veeg het gereedschap af met een schone, droge doek.
- Controleer het filter en reinig dit als het stoffig is.

Het luchtfilter reinigen (zie afb. 22)

Druk licht op het filterdeksel en verwijder het. En haal daarna het filter uit het gereedschap. Tik zachtjes tegen het filter om het stof eruit te kloppen. Met zeepsop kunt u het filter tot bijna in nieuwstaat reinigen.

Om de VEILIGHEID en BETROUWBAARHEID van het gereedschap te handhaven, dienen alle reparaties, onderhoud en afstellingen te worden uitgevoerd door een erkend Makita-servicecentrum, en altijd met gebruikmaking van originele Makita-ervangingsonderdelen.

Grondig reinigen

Als droogschieten vaak voorkomt, betekent dit dat het gereedschap grondig moet worden schoongemaakt. Raadpleeg de bijgevoegde reinigingsrichtlijn voor meer informatie en reinig het gereedschap grondig. Als u vragen hebt over het reinigen, neemt u contact op met uw plaatselijk Makita-servicecentrum.

VERKRIJGBARE ACCESSOIRES

⚠ LET OP:

- Deze accessoires of hulpstukken worden aanbevolen voor gebruik met het Makita-gereedschap dat in deze gebruiksaanwijzing wordt beschreven. Het gebruik van andere accessoires of hulpstukken kan gevaar voor persoonlijk letsel opleveren. Gebruik de accessoires of hulpstukken uitsluitend voor de aangegeven gebruikdoeleinden.

Mocht u meer informatie willen hebben over deze accessoires, dan kunt u contact opnemen met uw plaatselijke Makita-servicecentrum.

- Nagels
- Veiligheidsbril
- Brandstofpatroon
- Reinigingsset
- Originele Makita-accu en -lader

OPMERKING:

- Sommige items op de lijst kunnen zijn inbegrepen in de doos van het gereedschap als standaard toebehoren. Zij kunnen van land tot land verschillen.

Geluid

ENG905-1

De typische, A-gewogen geluidsniveaus zijn gemeten volgens EN792:

Geluidsdrukniveau (L_{pA}): 89 dB (A)
Geluidsvermogeniveau (L_{WA}): 102 dB (A)
Onzekeerheid (K): 3 dB (A)

Draag gehoorbescherming.

Trilling

ENG904-2

De trillingstotaalwaarde is bepaald volgens EN792:

Trillingsemisssie (a_{h1}): 2,5 m/s² of minder
Onzekeerheid (K): 1,5 m/s²

ENG901-1

- De opgegeven trillingsemisssiewaarde is gemeten volgens de standaardtestmethode en kan worden gebruikt om dit gereedschap te vergelijken met andere gereedschappen.
- De opgegeven trillingsemisssiewaarde kan ook worden gebruikt voor een beoordeling vooraf van de blootstelling.

⚠ WAARSCHUWING:

- De trillingsemisssie tijdens het gebruik van het elektrisch gereedschap in de praktijk kan verschillen van de opgegeven trillingsemisssiewaarde afhankelijk van de manier waarop het gereedschap wordt gebruikt.
- Zorg ervoor dat veiligheidsmaatregelen worden getroffen ter bescherming van de operator die zijn gebaseerd op een schatting van de blootstelling onder praktijkomstandigheden (rekening houdend met alle fasen van de bedrijfsfscyclus, zoals de tijdsduur gedurende welke het gereedschap is uitgeschakeld en stationair draait, naast de ingeschakelde tijdsduur).

Aleen voor Europese landen

ENH003-14

EU-verklaring van conformiteit

Wij, Makita Corporation, als de verantwoordelijke fabrikant, verklaren dat de volgende Makita-machine(s):

Aanduiding van de machine:
Accunagelpistool voor skeletbouw
Modelnr./Type: GN900
in serie is geproduceerd en

Voldoet aan de volgende Europese richtlijnen:
2006/42/EC

En is gefabriceerd in overeenstemming met de volgende normen of genormaliseerde documenten:
EN792 en EN60745

De technische documentatie wordt bewaard door:

Makita International Europe Ltd.
Technical Department,
Michigan Drive, Tongwell,
Milton Keynes, Bucks MK15 8JD, Engeland

30. 1. 2009



Tomoyasu Kato
Directeur

Makita Corporation
3-11-8, Sumiyoshi-cho,
Anjo, Aichi, 446-8502, JAPAN

ESPAÑOL (Instrucciones originales)

Descripción y visión general

- | | | |
|----------------------------|--------------------------|-------------------------|
| 1. Gafas de seguridad | 8. Palanca empujadora | 15. Boquilla |
| 2. Careta protectora | 9. Depósito alimentador | 16. Tornillos |
| 3. Cartucho de la batería | 10. Elemento de contacto | 17. Gancho |
| 4. Cubierta de combustible | 11. Llave Allen | 18. Cubierta del filtro |
| 5. Disparador | 12. Botón | 19. Filtro |
| 6. Luz indicadora | 13. Válvula dosificadora | |
| 7. Botón empujador | 14. Tapa | |

ESPECIFICACIONES

Modelo	GN900
Longitud del clavo X diámetro del vástago	L: 50 mm - 90 mm d: 2,9 mm - 3,3 mm
Capacidad de clavos	40 clavos (1 tira)
Ángulo de unión de los clavos (grados)	34
Forma de la cabeza del clavo	Recortada
Dimensiones (La X An X Al)	321 mm X 108 mm X 368 mm
Peso neto	3,3 kg
Tensión nominal	CC de 7,2 V


- Debido a nuestro programa continuo de investigación y desarrollo, las especificaciones aquí descritas están sujetas a cambios sin previo aviso.
- Las especificaciones y el cartucho de la batería pueden variar de un país a otro.
- Peso, con el cartucho de la batería, de acuerdo con el procedimiento EPTA 01/2003


Símbolos


END107-7


Se utilizan los siguientes símbolos para el equipo.


Asegúrese de que comprende su significado antes del uso.


 ... Lea el manual de instrucciones.


 Depósito bajo presión, manténgase alejado de lugares con temperaturas superiores a los 50°C (como los sometidos a radiación solar). Mantenga el depósito en un lugar bien ventilado.

 Utilícese sólo en exteriores o habitaciones bien ventiladas. No aspire gas.

 No utilizar cerca de llamas o sprays en superficies calientes. Durante el uso se puede formar una mezcla de aire y vapor inflamable/explosiva.

 No dañar, perforar ni quemar, ni siquiera después del uso.

 Utilice gafas de seguridad.

 Si no está clavando clavos, mantenga los dedos alejados del disparador para evitar un disparo accidental.



..... Utilícese sólo en un área ventilada para evitar náuseas y la pérdida del conocimiento. Nunca utilice la herramienta en atmósferas inflamables. Las emisiones de la herramienta pueden encender materiales inflamables.



..... No utilizar en andamios o escaleras de mano.



..... Advertencia: ¡superficie caliente! No toque alrededor de este símbolo. Si toca la superficie puede sufrir quemaduras o lesiones.



..... Sólo para países de la Unión Europea ¡No deseche el aparato eléctrico o la batería junto con los residuos domésticos! De conformidad con la Directiva Europea sobre residuos de aparatos eléctricos y electrónicos, y sobre baterías y acumuladores y el desecho de baterías y acumuladores y su aplicación de acuerdo con la legislación nacional, la herramienta eléctrica y las baterías y paquetes de baterías cuya vida útil haya llegado a su fin se deberán recoger por separado y trasladar a una planta de reciclaje que cumpla con las exigencias ecológicas.

Uso previsto

ENE059-1

La herramienta está pensada para trabajo interior preliminar, como fijar vigas de piso o vigas comunes y trabajo en estructuras en cubiertas de 2" x 4".

Advertencias de seguridad generales para herramientas eléctricas

GEA010-1

⚠ ADVERTENCIA Lea todas las advertencias de seguridad y todas las instrucciones. La no observancia de las advertencias y las instrucciones puede provocar descargas eléctricas, incendios y/o lesiones graves.

Guarde todas las advertencias e instrucciones para futuras consultas.

Advertencias de seguridad acerca de la clavadora/grapadora a gas-batería

ENB111-4

⚠ ADVERTENCIA Lea todas las advertencias de seguridad y todas las instrucciones. La no observancia de las advertencias y las instrucciones puede provocar lesiones graves, descargas eléctricas y/o incendios.

Guarde todas las advertencias e instrucciones para futuras consultas.

Por su seguridad personal y para una utilización y un mantenimiento correctos de la herramienta, lea este manual de instrucciones antes de utilizar la herramienta.

Normas generales de seguridad

- No permita que personas no instruidas utilicen la herramienta.
- No juegue con la herramienta. Trate a la herramienta como un útil de trabajo.
- No la utilice bajo la influencia del alcohol, drogas o sustancias similares.
- No fuerce nunca la herramienta.

Equipos de protección personal

- Utilice siempre gafas de seguridad para proteger sus ojos del polvo o de lesiones provocadas por los clavos o las grapas.
- **⚠ ADVERTENCIA:** Es responsabilidad del empleador garantizar que los operarios de la herramienta y otras personas de la zona de trabajo inmediata utilicen equipo de protección ocular.
- **Para Australia y Nueva Zelanda solamente** Utilice siempre gafas de seguridad y una careta protectora para proteger sus ojos del polvo o de lesiones provocadas por los clavos o las grapas. Las gafas de seguridad y la careta protectora deben cumplir con los requisitos de AS/NZS 1336. **(Fig. 1)**
- Utilice protección para la cabeza y protección para los oídos para protegerlos de la emisión de ruidos. Asimismo, lleve ropa ligera pero no suelta. Las mangas deben estar abotonadas o arremangadas. No debe llevarse corbata.

Seguridad del área de trabajo

- Nunca utilice la herramienta en espacios cerrados o mal ventilados. De lo contrario, el monóxido de carbono puede provocar mareos, náuseas o la pérdida de conciencia.
- Mantenga el área de trabajo limpia y bien iluminada. Las áreas oscuras o desordenadas favorecen los accidentes.
- No maneje la herramienta en atmósferas explosivas, tales como aquellas en las que haya presencia de polvo, gases o líquidos inflamables. La utilización de la herramienta puede producir chispas que pueden encender el polvo o los gases.
- Mantenga alejados a los niños y a las personas circundantes durante el manejo de la herramienta. Si se distrae, puede perder el control de la herramienta.
- Mantenga el área de trabajo bien iluminada.
- Puede haber reglamentos locales concernientes al ruido que habrá que cumplir manteniendo los niveles de ruido dentro de los límites establecidos. En ciertos casos, se deberán utilizar celosías para contener el ruido.

Dispositivos de seguridad

- Asegúrese de que todos los sistemas de seguridad estén en condiciones de funcionamiento antes de su utilización. La herramienta no debe funcionar si sólo se acciona el disparador o si sólo se presiona el brazo de contacto contra la madera. Solamente debe funcionar cuando se realicen ambas acciones. Haga una prueba sin clavos o grapas cargados y con el empujador en la posición totalmente presionada para ver si hay algún posible fallo de funcionamiento.
- No juegue con el elemento de contacto: previene la descarga accidental, por lo que se debe mantener activado y colocado en su sitio. También es muy peligroso fijar el disparador en la posición ON (activado). No intente nunca atar el disparador. No utilice la herramienta si alguna parte de los controles de operación de la herramienta está inoperativa, desconectada, modificada, o no funciona correctamente.
- No intente mantener el elemento de contacto presionado con cinta adhesiva o alambre. Pueden producirse lesiones graves o incluso la muerte.
- Compruebe siempre el elemento de contacto tal y como se indica en este manual. Los clavos o las grapas se pueden clavar accidentalmente si el mecanismo de seguridad no funciona correctamente.

Carga de clavos o grapas

- No cargue clavos o grapas en la herramienta si cualquiera de los controles de operación está activado.
- Utilice solamente los clavos o las grapas que se especifican en este manual. La utilización de otros clavos o grapas puede ocasionar un mal funcionamiento de la herramienta.

Fuente de alimentación

- Utilice la herramienta sólo con la pila de combustible original de Makita.
- No toque el gas líquido que sale pulverizado de la pila de combustible. El contacto con el gas puede provocar lesiones.

- Riesgo de incendio y explosión. Cuando manipule la pila de combustible para almacenarla, transportarla, insertarla o extraerla de la herramienta y desecharla:
 - No la exponga a la luz del sol y a temperaturas superiores a 50°C (122°F);
 - No fume;
 - Evite chispas y llamas abiertas.
- Extraiga siempre el cartucho de la batería y extraiga todos los clavos o las grapas:
 - Cuando deje la herramienta sin atender.
 - Antes de realizar cualquier mantenimiento o reparación.
 - Antes de despejar un atasco.
 - Antes de mover la herramienta a un nuevo lugar.

Normas de seguridad operativas

- Compruebe siempre la herramienta antes de su uso para ver su estado general y si hay tornillos sueltos. Apriete según sea necesario.
- Maneje la herramienta con cuidado, ya que dentro de la herramienta hay una presión muy alta que puede ser peligrosa si se produce una grieta debido a un manejo brusco (dejando caer o golpeando la herramienta). No intente grabar ni esculpir en la herramienta.
- Deje de utilizar inmediatamente la herramienta si nota algo incorrecto o fuera de lo normal en la herramienta. No se debe utilizar una herramienta que no funcione debidamente.
- No apunte con el puerto de expulsión a nadie de su alrededor. Mantenga las manos y pies alejados del área del puerto de expulsión.
- Presuponga siempre que la herramienta contiene clavos o grapas.
- Nunca se apunte a usted mismo ni a nadie más con la herramienta, tanto si contiene clavos o grapas como si no.
- No trabaje con prisas ni fuerce la herramienta. Maneje la herramienta con cuidado.
- No active la herramienta a menos que la tenga puesta firmemente contra la pieza de trabajo.
- Nunca sujete o lleve la herramienta con el dedo en el disparador ni se la preste a nadie de esta forma. La activación accidental puede provocar lesiones graves.
- No utilice nunca atornilladores marcados con el símbolo de "No utilizar en andamios, escaleras de mano" para aplicaciones específicas, por ejemplo:
 - Cuando el cambio de un lugar de clavado a otro implique la utilización de andamios, escaleras, escaleras de mano, o construcciones en forma de escalera, por ejemplo, listones de techumbres;
 - Cierre de cajas o cajones;
 - Colocación de sistemas de seguridad de transportes, por ejemplo, en vehículos y vagones.
- Compruebe las paredes, techos, suelos, techumbres y elementos similares con cuidado para evitar descargas eléctricas, fugas de gas, explosiones, etc., ocasionadas por el contacto con cables con tensión, conductos o tuberías de gas.
- No utilice esta herramienta para clavar cables eléctricos. Al no estar diseñada para la instalación de cables eléctricos, puede dañar el aislamiento de los cables eléctricos y provocar una descarga eléctrica o riesgo de incendio.

- Observe el suelo donde pisa y mantenga su equilibrio con la herramienta. Asegúrese de que no haya nadie debajo cuando trabaje en lugares elevados para evitar peligros si se produjera un tirón o enganche repentino.
- En tejados y otros lugares elevados, clave a medida que avanza. Es fácil perder el equilibrio si clava moviéndose hacia atrás. Cuando clave contra superficies perpendiculares, trabaje de arriba hacia abajo. Haciéndolo de esta forma podrá realizar la operación de clavado fatigándose menos.
- Si clava equivocadamente encima de otro clavo o grapa o golpea un nudo en la madera, el clavo o la grapa se torcerán o se atascará la herramienta. El clavo o la grapa pueden salir disparados y golpear a alguien, o la propia herramienta puede reaccionar peligrosamente. Ponga los clavos o las grapas con cuidado.
- No intente clavar nunca desde el interior y exterior al mismo tiempo. Los clavos o las grapas podrían atravesar los materiales y/o salir disparados, presentando un grave peligro.

Reparación

- Realice la limpieza y el mantenimiento inmediatamente después de terminar el trabajo. Mantenga la herramienta en perfectas condiciones. Lubrique las partes móviles para evitar la oxidación y minimizar el desgaste relacionado con la fricción. Quite todo el polvo de dichas partes.
- Infórmese en centros de servicio autorizados de Makita acerca de la inspección periódica de la herramienta.
- Para conservar la SEGURIDAD y la FIABILIDAD del producto, los trabajos de reparación y otros trabajos de mantenimiento deben realizarse en centros de servicio autorizados de Makita, utilizando siempre repuestos Makita.

GUARDE ESTAS INSTRUCCIONES.



ADVERTENCIA:

NO deje que la comodidad o la familiaridad con el producto (a base de utilizarlo repetidamente) sustituya la estricta observancia de las normas de seguridad del producto en cuestión. El MAL USO o la no observancia de las normas de seguridad expuestas en este manual de instrucciones pueden ocasionar graves daños corporales.

INSTRUCCIONES DE SEGURIDAD IMPORTANTES

ENC007-7

PARA EL CARTUCHO DE LA BATERÍA

1. **Antes de utilizar el cartucho de la batería, lea todas las instrucciones y referencias de precaución que se encuentran en (1) el cargador de baterías, (2) la batería y (3) el producto que utiliza la batería.**
2. **No desmonte el cartucho de la batería.**
3. **Si el tiempo de funcionamiento es excesivamente corto, deje de utilizar la herramienta de inmediato. De lo contrario, existe el riesgo de**

- sobrecalentamiento, quemaduras e incluso explosión.
- 4. Si se produce contacto ocular con electrolito, enjuáguese los ojos con agua limpia y acuda de urgencia al médico. Corre el riesgo de perder la visión.
- 5. No cortocircuite el cartucho de la batería:
 - (1) No toque los terminales con material conductor.
 - (2) Evite guardar el cartucho de la batería en un recipiente con otros objetos metálicos, como clavos, monedas, etc.
 - (3) No exponga el cartucho de la batería al agua o a la lluvia.

Un cortocircuito puede provocar un elevado flujo de corriente, sobrecalentamiento, quemaduras o incluso una avería.
- 6. No almacene la herramienta ni el cartucho de la batería en lugares donde la temperatura supere los 50°C (122°F).
- 7. No queme el cartucho de la batería aunque esté gravemente dañado o completamente gastado. El cartucho de la batería puede explotar si entra en contacto con fuego.
- 8. Procure que la batería no sufra golpes ni caídas.
- 9. No utilice una batería dañada.

GUARDE ESTAS INSTRUCCIONES.

Consejos para conseguir una mayor duración de la batería

1. Cargue la batería antes de que se descargue por completo.

Cuando observe que la herramienta tiene menos potencia, deje de utilizarla y cargue el cartucho de la batería.
2. No recargue nunca un cartucho de batería completamente cargado.

La sobrecarga acorta la vida útil de la batería.
3. Cargue el cartucho de la batería a una temperatura ambiente que oscile entre 10°C y 40°C (50°F - 104°F). Antes de cargar un cartucho de batería caliente, deje que se enfríe.
4. Cargue la batería una vez cada seis meses si no la utiliza durante un período de tiempo prolongado.

Visión general de la clavadora (Fig. 2)

DESCRIPCIÓN DEL FUNCIONAMIENTO

PRECAUCIÓN:

- Asegúrese siempre de extraer la pila de combustible, el cartucho de la batería y los clavos antes de ajustar la herramienta o de comprobar su funcionamiento.

Instalación o extracción del cartucho de la batería (Fig. 3)

- Apague siempre la herramienta antes de insertar o extraer el cartucho de la batería.

- Para extraer el cartucho de la batería, quítelo de la herramienta al mismo tiempo que presiona el botón situado en el lateral del cartucho, tal como se muestra en la figura. (Fig. 4)
- Para insertar el cartucho de la batería, sujételo de manera que la forma de la parte frontal del cartucho de la batería encaje en la forma de la abertura de instalación de la batería y deslícelo hasta que encaje en su lugar. Insértelo completamente hasta que quede firmemente sujeto y se bloquee con un clic. De lo contrario, el cartucho puede desprenderse accidentalmente de la herramienta y causar lesiones al operario o a alguna persona que se encuentre cerca.
- No haga fuerza al insertar el cartucho de la batería. Si no se inserta suavemente, significa que no lo está instalando correctamente.

Pila de combustible

Colocación de la válvula dosificadora en la pila de combustible (Fig. 5)

Quite la tapa (en caso de que la válvula dosificadora disponga de tapa). (Fig. 6)

Presione el extremo delantero. (Fig. 7)

Presione el extremo trasero hasta que se asiente.

Inserción de la pila de combustible (Fig. 8)

Empuje hacia arriba la cubierta del combustible y tire de ella para abrirla. (Fig. 9)

Inserte la pila de combustible con la boquilla de la válvula dosificadora orientada hacia el adaptador. (Fig. 10)

Inserte la boquilla correctamente en el pequeño orificio del adaptador. (Fig. 11)

Coloque la cubierta del combustible sobre la válvula dosificadora y presiónela para enclavarla.

Ajuste de la profundidad de clavado

PRECAUCIÓN:

- Extraiga la pila de combustible, el cartucho de la batería y los clavos antes de ajustar la profundidad de clavado. (Fig. 12)

Afloje dos tornillos con la llave Allen y mueva el elemento de contacto. Vuelva a apretar los tornillos firmemente.

Luz indicadora

El color de la luz indicadora tiene los siguientes significados.

Verde intermitente: Estado normal

Rojo intermitente: Es necesario cargar el cartucho de la batería

Rojo continuo: Recargue el cartucho de la batería. No puede utilizarse la clavadora, porque la batería está descargada.

Naranja intermitente: Se recomienda realizar una limpieza completa. Consulte la sección "MANTENIMIENTO" para limpiar el interior de la herramienta completamente. Para restablecer la luz indicadora naranja intermitente, pulse el elemento de contacto durante cinco segundos y, a continuación, pulse el elemento de contacto cinco veces.

Naranja intermitente después de verde y rojo

intermitente alternado: Se está ejecutando la detección

de fallos. Extraiga el cartucho de la batería y vuelva a insertarlo para restablecer la herramienta. Si se ejecuta de nuevo la detección de fallos, hay una avería. Solicite a su centro de servicio Makita local una reparación.

Instalación del gancho (Fig. 13)

El gancho es útil para colgar la herramienta temporalmente. El gancho se puede colocar en dos posiciones según dónde se vaya a colgar la herramienta. Para cambiar la posición del gancho, contráigalo por la base presionando por ambos lados y cámbielo de posición.

MONTAJE

PRECAUCIÓN:

- Extraiga siempre la pila de combustible y el cartucho de la batería.

Carga de la clavadora (Fig. 14)

Inserte una tira de clavos en la ranura de la parte posterior del depósito alimentador. (Fig. 15)
Tire de la palanca empujadora hacia la parte posterior del depósito alimentador y colóquela con cuidado detrás de la tira. (Fig. 16)
Cargue clavos de forma que estén paralelos a la guía de clavado.

Extracción de los clavos (Fig. 17)

Tire de la palanca empujadora y presione el botón empujador para soltar el soporte de clavos; luego devuelva la palanca empujadora a su posición inicial empujando el botón empujador.
Deslice los clavos hacia la parte posterior del depósito alimentador y extráigalos.

MANEJO

ADVERTENCIA:

- **No toque la zona alrededor del orificio de ventilación de salida de gases.** La superficie estará muy caliente durante o después de una operación. Si toca la superficie alrededor del orificio de ventilación de salida de gases puede sufrir quemaduras o lesiones.

PRECAUCIÓN:

- Asegúrese de que todos los sistemas de seguridad estén en condiciones de funcionamiento antes de su utilización. (Fig. 18)
- 1. Para clavar un clavo, coloque el elemento de contacto contra la pieza de trabajo.

Se activa el motor del ventilador, se inyecta gas combustible en la cámara de combustión y se mezcla con el aire producido por el ventilador. (Fig. 19)

2. Presione firmemente el elemento de contacto y accione el disparador.

El gas combustible se quema y se clava el clavo.

3. Sólo puede clavar otro clavo tras haber soltado el elemento de contacto y el disparador.

Mecanismo contra el disparo en vacío

Con este mecanismo se evita que la herramienta se dispare sin ningún clavo.

La prevención contra el disparo en vacío se activa automáticamente cuando sólo quedan entre 4 y 7 clavos.

Atasco en la clavadora de clavos

PRECAUCIÓN:

- Asegúrese siempre de extraer la pila de combustible y el cartucho de la batería antes de desatascar la herramienta.

Cuando la clavadora se atasque, haga lo siguiente:

1. Extraiga la pila de combustible, el cartucho de la batería y los clavos. (Fig. 20)
2. Afloje los (2) tornillos de montaje del depósito alimentador con la llave Allen. (Fig. 21)
3. Separe el conjunto de empuñadura y depósito alimentador de la punta de la herramienta y elimine el atasco.
4. Vuelva a alinear el conjunto de empuñadura y depósito alimentador a la punta, y apriete los tornillos de montaje.
5. Vuelva a colocar una tira de clavos.

ADVERTENCIA:

- **Asegúrese de que los tornillos de montaje del depósito alimentador estén bien apretados y de que el depósito alimentador esté bien ajustado a la punta.** Si trata de disparar la herramienta con el depósito alimentador flojo, se perderá el control de los clavos, se dañará la herramienta o se producirá una descarga de clavos hacia el operario.

MANTENIMIENTO

PRECAUCIÓN:

- Extraiga siempre la pila de combustible, el cartucho de la batería y los clavos antes de realizar trabajos de inspección o mantenimiento.
- Nunca utilice gasolina, benceno, disolvente, alcohol o un producto similar. Se puede provocar una decoloración, una deformación o grietas.

Mantenimiento tras una jornada de trabajo

Al final de una jornada de trabajo, realice una rutina de mantenimiento.

Esos sencillos pasos pretenden mantener la seguridad y el rendimiento de la herramienta.

Antes de salir del lugar de trabajo:

- Extraiga el cartucho de la batería y guárdelo en una caja portaherramientas. Utilice siempre la caja portaherramientas para transportar y almacenar la herramienta.
- Deseche las pilas vacías en lugares donde ningún niño las pueda encontrar y donde no se puedan aplastar, perforar o quemar.

Cuando llegue a casa:

- Coloque el cartucho de la batería en el cargador si es necesario, lo cual es indicado por la luz indicadora roja.
- Limpie la herramienta con un paño suave y limpio.

- Compruebe el estado del filtro y límpielo si tiene polvo.

Limpieza del filtro de aire (Fig. 22)

Presione ligeramente hacia arriba la cubierta del filtro y extráigala. A continuación, solamente tiene que levantar el filtro para extraerlo.

Dé unos golpecitos al filtro para quitar el polvo que pueda tener. Con jabón y agua puede dejarse el filtro casi como nuevo.

Para mantener la **SEGURIDAD** y la **FIABILIDAD** del producto, las reparaciones y cualquier otra tarea de mantenimiento o ajuste deberán ser realizadas en centros de servicio autorizados por Makita, utilizando siempre repuestos Makita.

Limpieza minuciosa

Si se producen con frecuencia disparos en vacío, la herramienta se debe limpiar minuciosamente.

Consulte la guía de limpieza que se proporciona con el producto para obtener información detallada y realice la limpieza.

Si tiene preguntas acerca de la limpieza, consulte con su centro de servicio Makita local.

ACCESORIOS OPCIONALES

⚠ PRECAUCIÓN:

- Se recomienda el uso de estos accesorios o complementos con la herramienta Makita especificada en este manual. El uso de otros accesorios o complementos puede conllevar el riesgo de ocasionar daños corporales. Utilice los accesorios o complementos solamente para su fin establecido.

Si necesita cualquier ayuda para obtener más información relativa a estos accesorios, pregunte a su centro de servicio Makita local.

- Clavos
- Gafas de seguridad
- Pila de combustible
- Kit de limpieza
- Batería y cargador originales de Makita

NOTA:

- Algunos elementos de la lista se pueden incluir en el paquete de la herramienta como accesorios estándar. Pueden ser diferentes de un país a otro.

Ruido ENG905-1

Niveles típicos de ruido ponderado A determinados conforme a EN792:

Nivel de presión de sonido (L_{pA}): 89 dB (A)

Nivel de potencia de sonido (L_{WA}): 102 dB (A)

Incertidumbre (K): 3 dB (A)

Utilice protección para los oídos.

Vibración ENG904-2

Valor de total de vibraciones determinado de acuerdo con EN792:

Emisión de vibraciones (a_h): 2,5 m/s² o menos

Incertidumbre (K): 1,5 m/s²

ENG901-1

- El valor de emisión de vibraciones se ha medido de acuerdo con el método de prueba estándar y se puede utilizar para comparar herramientas.

- El valor de emisión de vibraciones declarado también se puede usar en una evaluación preliminar de la exposición.

⚠ ADVERTENCIA:

- La emisión de vibraciones durante el uso de la herramienta eléctrica puede diferir del valor de emisiones declarado, dependiendo de las formas en que se utiliza la herramienta.
- Asegúrese de identificar las mediciones correctas para proteger al operario, que se basan en una estimación de la exposición en condiciones de uso reales (teniendo en cuenta todas las partes del ciclo de operaciones, como los momentos en los que la herramienta está apagada y cuando funciona al ralentí además del tiempo en que está activado el interruptor).

Sólo para países europeos

ENH003-14

Declaración de conformidad de la CE

Nosotros, Makita Corporation, en calidad de fabricante responsable, declaramos que las siguientes máquinas Makita:

Designación de la máquina:

Clavadora inalámbrica de clavos de cabeza recortada para estructuras

Nº de modelo/ Tipo: GN900

son de producción serie y

Cumplen con las siguientes Directivas europeas:
2006/42/CE

Y se han fabricado de acuerdo con los siguientes estándares o documentos estandarizados:

EN792, EN60745

La documentación técnica la conserva:

Makita International Europe Ltd.

Technical Department,

Michigan Drive, Tongwell,

Milton Keynes, Bucks MK15 8JD, Inglaterra

30. 1. 2009



Tomoyasu Kato
Director

Makita Corporation

3-11-8, Sumiyoshi-cho,

Anjo, Aichi, 446-8502, JAPAN

PORTUGUÊS (Instruções de origem)

Descrição geral

- | | | |
|-------------------------|--------------------------|---------------------|
| 1. Óculos de protecção | 8. Alavanca do impulsor | 15. Bocal de jacto |
| 2. Visor de protecção | 9. Carregador | 16. Parafusos |
| 3. Bateria | 10. Elemento de contacto | 17. Gancho |
| 4. Tampa de combustível | 11. Chave sextavada | 18. Tampa de filtro |
| 5. Gatilho | 12. Botão | 19. Filtro |
| 6. Luz indicadora | 13. Válvula doseadora | |
| 7. Botão do impulsor | 14. Tampa | |

ESPECIFICAÇÕES

Modelo	GN900
Comprimento dos pregos X Diâmetro da haste	Comp. prego: 50 mm - 90 mm d: 2,9 mm - 3,3 mm
Capacidade de pregos	40 pregos (1 tira)
Ângulo de disposição dos pregos (grau)	34
Tipo de cabeça de prego	Cortada
Dimensões (C X L X A)	321 mm X 108 mm X 368 mm
Peso líquido	3,3 kg
Voltagem nominal	CC 7,2 V

- Devido à pesquisa e desenvolvimento constantes, estas especificações estão sujeitas a alteração sem aviso prévio.
- As especificações e o cartucho da bateria podem ser diferentes consoante o país.
- Peso, com a bateria, de acordo com o procedimento EPTA de 01/2003

Símbolos

END107-7

Descrição dos símbolos utilizados no equipamento.

Certifique-se de que compreende o seu significado, antes da utilização.



... Ler o manual de instruções.



..... Recipiente sob pressão, manter afastado de temperaturas superiores 50°C (por ex.: radiação solar). Colocar o recipiente num local bem ventilado.



..... Utilizar apenas no exterior ou em divisões bem ventiladas. Não respirar o gás.



..... Não utilizar perto de chamas, nem pulverizar sobre superfícies quentes. Ao utilizar, poderá ser formada uma mistura de vapor-ar inflamável/explosiva.



..... Não danificar, perfurar ou queimar, mesmo após a utilização.



..... Usar óculos de segurança.



..... Manter os dedos afastados do gatilho quando não estiver a pregar de forma a evitar disparos acidentais.



..... Utilizar apenas em áreas ventiladas de forma a evitar náuseas e desmaios. Nunca utilizar a ferramenta em atmosferas combustíveis. O escape da ferramenta pode incendiar materiais inflamáveis.



..... Não utilizar em andaimes ou escadas.



..... Aviso: superfície quente! Não toque na zona em torno deste símbolo. Tocar na superfície pode provocar queimaduras ou ferimentos.



..... Apenas para países da UE Não deite equipamentos eléctricos ou a bateria no lixo doméstico! De acordo com as directivas europeias sobre ferramentas eléctricas e electrónicas usadas e baterias, acumuladores e baterias usadas e a sua aplicação para as leis nacionais, as ferramentas eléctricas, as baterias e conjuntos usados devem ser recolhidos em separado e encaminhados a uma instalação de reciclagem dos materiais ecológicos.

Utilização prevista

ENE059-1

A ferramenta destina-se a trabalhos preliminares interiores tais como a fixação de vigas de sustentação de soalho ou caibros comuns e montagem de enquadramento em encaixes de 5 cm x 10 cm.

Avisos gerais de segurança para ferramentas eléctricas

GEA010-1

⚠ AVISO Leia todos os avisos de segurança e todas as instruções. O não cumprimento dos avisos e instruções pode resultar na ocorrência de choques eléctricos, incêndios e/ou ferimentos graves.

Guarde todos os avisos e instruções para referência futura.

Avisos de segurança do pinador/agrafador a bateria

ENB111-4

⚠ AVISO Leia todos os avisos de segurança e todas as instruções. O não cumprimento dos avisos e instruções pode resultar na ocorrência de ferimentos graves, choques eléctricos e/ou incêndios.

Guarde todos os avisos e instruções para referência futura.

Para garantir a segurança pessoal e um funcionamento e manutenção correctos da ferramenta, leia este manual de instruções antes de utilizar a ferramenta.

Segurança geral

- Não permita que pessoas não familiarizadas utilizem a ferramenta.
- Não é um brinquedo. Respeite a ferramenta como uma ferramenta de trabalho.
- Não utilize quando estiver sob a influência de álcool, medicamentos ou substâncias semelhantes.
- Nunca altere a ferramenta.

Equipamentos de protecção pessoal

- Use sempre óculos de segurança para proteger os seus olhos contra pó ou ferimentos devido aos agrafos.

⚠ AVISO: É da responsabilidade da entidade empregadora garantir o uso do equipamento de protecção para os olhos por parte dos operadores e outras pessoas perto da área de trabalho.

Apenas para a Austrália e Nova Zelândia

Use sempre óculos de segurança e o visor de protecção para proteger os seus olhos contra pó ou ferimentos devido aos agrafos. Os óculos de segurança e o visor de protecção devem respeitar os requerimentos de AS/NZS 1336. (Fig. 1)

- Use protecção para os ouvidos para os proteger contra os ruídos de trabalho e protecção para a cabeça. Use roupa leve mas não folgada. As mangas devem estar apertadas ou enroladas. Não devem ser usadas gravatas.

Segurança na área de trabalho

- Nunca utilize a ferramenta em espaços fechados ou mal ventilados. Caso contrário, o monóxido de carbono pode causar tonturas, náuseas ou desmaios.
- Mantenha a área de trabalho limpa e bem iluminada. As áreas desorganizadas ou escuras convidam os acidentes.
- Não utilize a ferramenta em atmosferas explosivas, tais como na presença de líquidos inflamáveis, gases

ou pó. Utilizar a ferramenta pode criar faíscas que poderão pegar fogo ao pó ou gases.

- Mantenha afastadas as crianças e pessoas enquanto utilizar a ferramenta. As distrações podem fazer com que perca o controlo.
- Ilumine bem a área de trabalho.
- Poderão existir normas locais relativamente ao ruído, que devem ser cumpridas mantendo os níveis de ruído dentro dos limites indicados. Em determinados casos, devem ser utilizados elementos de isolamento acústico.

Dispositivos de segurança

- Certifique-se de que todos os sistemas de segurança estão a funcionar adequadamente antes de utilizar a ferramenta. A ferramenta não deve funcionar caso prima apenas o gatilho ou pressione apenas o elemento de contacto contra a madeira. Esta deve funcionar apenas ao executar ambas as acções. Faça um teste sem agrafos e com o impulsor na posição de apertado para verificar se há problemas no funcionamento.
- Não brinque com o elemento de contacto: evita o accionamento accidental, não devendo ser removido. Fixar o gatilho na posição ON (ligado) é igualmente muito perigoso. Nunca tente apertar o gatilho. Não utilize a ferramenta se qualquer parte dos comandos estiver inoperacional, desligada, alterada ou a funcionar incorrectamente.
- Não tente manter o elemento de contacto pressionado com fita-cola ou fios. Pode provocar morte ou ferimentos graves.
- Verifique sempre o elemento de contacto conforme indicado neste manual. Os agrafos podem ser introduzidos acidentalmente se o mecanismo de segurança não estiver a funcionar correctamente.

Carregar agrafos

- Não carregue a ferramenta com pregos quando qualquer um dos comandos de funcionamento estiver activado.
- Utilize apenas agrafos especificados neste manual. A utilização de agrafos diferentes pode causar o mau funcionamento da ferramenta.

Fonte de alimentação

- Utilize a ferramenta somente com a célula de combustível genuína da Makita.
- Não toque em gás líquido pulverizado para fora da célula de combustível. O contacto pode causar ferimentos.
- Risco de incêndio e explosão. Ao lidar com a célula de combustível para fins de armazenamento, transporte, introdução e remoção da ferramenta e eliminação:
 - não exponha à luz solar nem a temperaturas superiores a 50°C;
 - não fume;
 - evite faíscas e chamas.
- Remova sempre a bateria e todos os fixadores:
 - quando sem vigilância;
 - antes de efectuar qualquer operação de manutenção ou reparação;
 - antes de eliminar qualquer obstrução;
 - antes de levar a ferramenta para um novo local.

Segurança operacional

- Antes de utilizar, verifique sempre a condição geral da ferramenta e inspeccione para ver se há parafusos soltos. Aperte-os como necessário.
- Manuseie a ferramenta com cuidado dado que há pressão muito alta dentro da mesma e pode ser perigoso se houver uma fissura causada por um manuseamento impróprio (derrubar ou bater a mesma). Não tente entalhar ou esculpir na ferramenta.
- Pare a utilização imediatamente se notar qualquer problema ou algo anormal com a ferramenta. Não deve ser utilizada uma ferramenta que não funcione correctamente.
- Não aponte a porta de ejeção a ninguém que se encontre nas proximidades. Mantenha as mãos e os pés afastados da área da porta de ejeção.
- Presuma sempre que a ferramenta contém pregos.
- Nunca aponte a ferramenta na sua direcção ou de outra pessoa, independentemente de conter pregos ou não.
- Não apresse o trabalho ou force a ferramenta. Segure com cuidado na ferramenta.
- Não active a ferramenta a não ser que a ferramenta seja colocada firmemente contra a peça de trabalho.
- Nunca segure ou transporte a ferramenta ou a entregue a alguém com o dedo no gatilho. Um disparo accidental pode provocar ferimentos graves.
- Nunca utilize pregadores marcados com a inscrição "Não utilizar em andaimes ou escadas" para aplicações específicas, por exemplo:
 - quando ao mudar de uma posição de trabalho para outra for preciso utilizar andaimes, degraus, escadas usadas em construção, como ripa de telhado;
 - ao fechar caixas ou grades;
 - ao fixar sistemas de segurança de transporte, como em veículos ou vagões.
- Inspeccione cuidadosamente as paredes, tecto, pisos e telhados para evitar o risco de choque eléctrico, fuga de gás, explosões, etc. que podem resultar do contacto dos pregos com fios ligados, condutos ou canos de gás.
- Não utilize a ferramenta para pregar cabos eléctricos. A ferramenta não é adequada para instalação de cabos eléctricos e pode danificar o isolamento dos cabos, causando choques eléctricos ou riscos de incêndio.
- Tenha cuidado e mantenha-se numa posição firme e equilibrada durante a utilização da ferramenta. Certifique-se de que ninguém está por baixo quando trabalhar em locais altos para evitar acidentes caso a mesma se enrosque em algo ou haja um movimento brusco e súbito.
- Ao trabalhar em telhados ou outros locais altos, introduza agrafos à medida que avança. É fácil perder o equilíbrio se introduzir agrafos movendo-se para trás. Quando está a agrafar contra superfícies perpendiculares, trabalhe de cima para baixo. Assim, poderá executar a operação de agrafar com menos cansaço.
- Um agrafador poderá entortar-se ou a ferramenta poderá ficar emperrada se agrafar sobre outro agrafador por engano ou se bater num nó da madeira. O agrafador poderá sair disparado e atingir alguém ou a própria

ferramenta pode reagir de modo perigoso. Coloque os agrafos com cuidado.

- Nunca tente agrafar do lado de dentro e do lado de fora ao mesmo tempo. Os agrafos podem atravessar a madeira e/ou sair disparados, apresentando um perigo muito grave.

Reparações

- Efectue a limpeza e a manutenção logo após terminar o trabalho. Mantenha a ferramenta em óptimas condições. Lubrifique as peças giratórias para evitar que fiquem enferrujadas e para minimizar o desgaste devido à fricção. Limpe a poeira das peças.
- Solicite a inspecção periódica da ferramenta num centro de assistência autorizada Makita.
- Para manter os níveis de SEGURANÇA e FIABILIDADE definidos para este produto, as reparações e operações de manutenção devem ser executadas por centros de assistência Makita autorizados, utilizando sempre peças de substituição da Makita.

GUARDE ESTAS INSTRUÇÕES.



AVISO:

NÃO deixe que o conforto ou familiaridade com o produto (obtida de uma utilização regular) substituam um cumprimento severo das regras de segurança do produto em causa. Uma UTILIZAÇÃO INCORRECTA ou não cumprimento das regras de segurança indicadas neste manual de instruções podem provocar ferimentos pessoais sérios.

INSTRUÇÕES DE SEGURANÇA IMPORTANTES

ENC007-7

RELATIVAS À BATERIA

1. Antes de utilizar a bateria, leia as instruções e chamadas de atenção de: (1) o carregador da bateria, (2) a bateria e (3) o produto que utiliza a bateria.
2. Não desmonte a bateria.
3. Se o tempo de utilização com a bateria se tornar demasiado curto, deve parar imediatamente. Se continuar, pode causar sobreaquecimento, incêndio e mesmo explosão.
4. Se o electrólito entrar em contacto com os olhos, enxagüe-os com água limpa e consulte imediatamente um médico. Os riscos incluem perda de visão.
5. Não provoque um curto-circuito na bateria:
 - (1) Não deixe que quaisquer materiais condutores entrem em contacto com os terminais da bateria.
 - (2) Evite guardar a bateria juntamente com outros objectos de metal como pregos, moedas, etc.
 - (3) Não exponha a bateria a água ou chuva. Um curto-circuito na bateria pode criar uma grande carga eléctrica, sobreaquecimento, fogo e uma quebra da corrente.

6. Não guarde a ferramenta e a bateria em locais onde a temperatura possa atingir ou exceder 50°C (122°F).
7. Não incinere a bateria, nem mesmo se esta estiver irremediavelmente danificada ou completamente gasta. Pode explodir e causar um incêndio.
8. Não a deixe cair e evite o choque com outros objectos.
9. Não utilize uma bateria danificada.

GUARDE ESTAS INSTRUÇÕES.

Sugestões para o máximo de tempo de vida da bateria

1. Não espere que a bateria se gaste completamente para voltar a carregá-la. Pare a ferramenta e carregue a bateria sempre que detectar um baixo nível de energia.
2. Nunca volte a carregar uma bateria já completamente carregada. O carregamento excessivo diminui o tempo de vida das baterias.
3. Carregue a bateria em locais onde a temperatura se situe entre 10°C e 40°C (50°F - 104°F). Se a bateria estiver quente, deixe-a arrefecer antes de iniciar o carregamento.
4. Carregue a bateria uma vez a cada seis meses se não a utilizar durante um longo período.

Visão geral da máquina de pregar (Fig. 2)

DESCRIÇÃO DO FUNCIONAMENTO

PRECAUÇÃO:

- Certifique-se sempre de que retira a célula de combustível, a bateria e os pregos antes de ajustar ou verificar funções na ferramenta.

Inserir ou retirar a bateria (Fig. 3)

- Sempre que for inserir ou retirar a bateria, desligue a ferramenta.
- Para remover a bateria, puxe-a para fora ao mesmo tempo que prime o botão de segurança no lado do cartucho, conforme indicado na imagem. (Fig. 4)
- Para introduzir a bateria, segure-a de maneira a que a forma dianteira da bateria encaixe na abertura do orifício da bateria. Insira-a completamente até fixar em posição com um clique. Caso contrário, pode cair da ferramenta e causar ferimentos em si, ou em alguém que esteja perto de si.
- Não exerça força ao inserir a bateria. Se não encaixar facilmente é porque não está correctamente posicionada.

Célula de combustível

Fixar a válvula doseadora à célula de combustível (Fig. 5)

Separe a tampa (no caso de a válvula doseadora ser fornecida com a tampa). (Fig. 6)

Empurre a extremidade dianteira. (Fig. 7)
Empurre a extremidade traseira até assentar.

Inserir a célula de combustível (Fig. 8)

Empurre para cima e puxe a tampa de combustível para a abrir. (Fig. 9)

Insira a célula de combustível direccionando o bocal de jacto da válvula doseadora no sentido do adaptador.

(Fig. 10)

Insira o bocal de jacto correctamente no pequeno orifício do adaptador. (Fig. 11)

Coloque a tampa de combustível sobre a válvula doseadora e empurre-a para baixo para trancar.

Ajustar a profundidade de colocação dos pregos

PRECAUÇÃO:

- Retire a célula de combustível, a bateria e os pregos antes de ajustar a profundidade de colocação dos pregos. (Fig. 12)

Com a chave sextavada, desaperte dois parafusos e mova o elemento de contacto. Volte a apertar os parafusos firmemente.

Luz indicadora

A cor da luz indicadora significa o seguinte.

Verde intermitente: Estado normal

Vermelho intermitente: Necessita de recarregar a bateria

Vermelho aceso: Recarregue a bateria. Não é possível pregar porque não existe capacidade de bateria restante.

Cor-de-laranja intermitente: É recomendada uma limpeza minuciosa. Consulte a secção “MANUTENÇÃO” para limpar minuciosamente o interior da ferramenta.

Para repor a intermitência cor-de-laranja da luz indicadora, pressione o elemento de contacto durante cinco segundos e, de seguida pressione o elemento de contacto cinco vezes.

Cor-de-laranja intermitente após verde e vermelho intermitentes alternadamente: Está a ser executada a detecção de falhas. Retire e volte a colocar a bateria para proceder à reposição. Se a detecção de falhas voltar a ser executada, trata-se de um estado de mau funcionamento. Consulte o seu centro de assistência Makita local para reparar.

Instalar o gancho (Fig. 13)

O gancho é muito útil para pendurar a ferramenta temporariamente. O gancho pode ser definido em duas posições, de acordo com o local onde a ferramenta irá ser pendurada.

Para alterar a posição do gancho, contraia-o na base empurrando ambos os lados para dentro e desloque-o para outra posição.

MONTAGEM

PRECAUÇÃO:

- Retire sempre a célula de combustível e a bateria.

Carregar o pregador (Fig. 14)

Insira uma tira de pregos na ranhura na parte traseira do carregador. (Fig. 15)

Puxe a alavanca do impulsor para a parte traseira do carregador e faça regressar suavemente à extremidade da tira. (Fig. 16)

Carregue pregos de forma a que fiquem paralelos à guia.

Retirar pregos (Fig. 17)

Puxe a alavanca do impulsor e empurre o botão do impulsor para libertar o suporte de pregos, depois faça regressar a alavanca ao topo empurrando o botão do impulsor.

Faça deslizar os pregos em direcção à parte traseira do carregador e retire-os.

FUNCIONAMENTO

AVISO:

- **Não toque na zona em torno do ventilador de saída.** A superfície estará muito quente durante ou depois do funcionamento. Tocar na zona em torno do ventilador de saída pode provocar queimaduras ou ferimentos.

PRECAUÇÃO:

- Certifique-se de que todos os sistemas de segurança estão a funcionar adequadamente antes de utilizar a ferramenta. (Fig. 18)

1. Para pregar um prego, coloque o elemento de contacto contra a peça de trabalho.

É activado o motor do ventilador e é injectado gás combustível no câmara de combustão, sendo misturado com ar pelo ventilador. (Fig. 19)

2. Segure o elemento de contacto premindo-o firmemente e prima o gatilho.

O gás combustível entra em combustão e o prego é colocado.

3. Para colocar um outro prego terá de libertar o elemento de contacto e o gatilho.

Mecanismo anti-accionamento

Este é o mecanismo que evita que a ferramenta seja disparada sem prego.

A prevenção anti-accionamento é automaticamente accionada quando os pregos chegam às últimas 4 a 7 peças.

Máquina de pregar encravada

PRECAUÇÃO:

- Certifique-se sempre de que retira a célula de combustível e a bateria antes de eliminar qualquer obstrução.

Se o pregador ficar encravado, efectue o seguinte.

1. Retire a célula de combustível, a bateria e os pregos. (Fig. 20)
2. Desaperte os (2) parafusos de montagem do carregador com a chave sextavada. (Fig. 21)
3. Afaste a pega/carregador da ponta da ferramenta e elimine a obstrução.
4. Volte a alinhar a pega/carregador com a ponta e aperte os parafusos de montagem.

5. Volte a carregar uma tira de pregos.

AVISO:

- **Certifique-se de que os parafusos de montagem do carregador estão apertados e de que o carregador está preso à ponta.** A tentativa de disparar a ferramenta com um carregador solto irá resultar na perda do controlo dos pregos, danos na ferramenta ou na descarga de pregos na direcção ao operador.

MANUTENÇÃO

PRECAUÇÃO:

- Retire sempre a célula de combustível, a bateria e os pregos antes de tentar efectuar a inspecção ou manutenção.
- Nunca utilize gasolina, benzina, diluente, álcool ou algo semelhante. Pode resultar em descoloração, deformação ou fissuras.

Manutenção após trabalho diário

No final do trabalho diário, efectue uma rotina de fim de dia trabalho.

Estes simples passos destinam-se a manter a segurança e o desempenho da ferramenta.

Antes de abandonar o local de trabalho:

- Retire a bateria e guarde-a na bolsa de transporte da ferramenta. Utilize sempre a bolsa de transporte da ferramenta para transportar e armazenar a ferramenta.
- Eliminação de todas as células vazias num local onde não sejam encontradas por crianças, esmagadas, perfuradas ou queimadas.

Ao chegar a casa:

- Se necessário, coloque a bateria no carregador conforme indicado pela luz indicadora vermelha.
- Limpe a ferramenta com um pano limpo e suave.
- Verifique o filtro e limpe-o se tiver pó.

Limpar o filtro de ar (Fig. 22)

Prima a tampa do filtro ligeiramente para cima e remova-a. E, de seguida, simplesmente retire o filtro.

Sacuda-o ligeiramente para eliminar qualquer pó. A utilização de sabão e água permite fazer o filtro voltar a um estado quase novo.

Para manter os níveis de SEGURANÇA e FIABILIDADE definidos para este produto, as reparações e os procedimentos de manutenção ou ajustes devem ser executados por centros de assistência Makita autorizados, utilizando sempre peças de substituição Makita.

Limpeza minuciosa

Se disparos em vazio ocorrerem frequentemente, significa que a ferramenta necessita de ser limpa minuciosamente.

Consulte a o guia de limpeza acompanhante para informações e efectue a limpeza.

Se tiver dúvidas relativamente à limpeza, consulte o centro de assistência Makita local.

ACESSÓRIOS OPCIONAIS

PRECAUÇÃO:

- Os seguintes acessórios ou extensões são os recomendados para utilizar com a ferramenta Makita especificada neste manual. A utilização de quaisquer outros acessórios poderá representar um risco de ferimento para as pessoas. Apenas utilize o acessório para o fim indicado.

Se precisar de informações adicionais relativas aos acessórios, contacte o centro local de assistência Makita.

- Pregos
- Óculos protectores
- Célula de combustível
- Kit de limpeza
- Bateria e carregador genuínos da Makita

NOTA:

- Alguns itens na lista podem estar incluídos no pacote de ferramentas como acessórios de série. Podem diferir de país para país.

Ruído ENG905-1

Os níveis acústicos ponderados A típicos foram determinados segundo a EN792:

Nível de pressão sonora (L_{pA}): 89 dB (A)
Nível de potência sonora (L_{WA}): 102 dB (A)
Incerteza (K): 3 dB (A)

Use protecção para os ouvidos.

Vibração ENG904-2

O valor total das vibrações determinado de acordo com a EN792:

Emissão de vibração (a_h): 2,5 m/s² ou menos
Incerteza (K): 1,5 m/s²

ENG901-1

- O valor da emissão de vibração declarado foi medido de acordo com o método de teste padrão e pode ser utilizado para comparar uma ferramenta com outra.
- O valor da emissão de vibração declarado pode também ser utilizado numa avaliação preliminar de exposição.

AVISO:

- A emissão de vibração durante a utilização real da ferramenta eléctrica pode ser diferente do valor de emissão declarado, dependendo da forma como a ferramenta é utilizada.
- Certifique-se de que identifica medidas de segurança, para proteger o operador, que são baseadas numa estimativa de exposição nas condições reais de utilização (tendo em conta todas as partes do ciclo de funcionamento, como as vezes que a ferramenta é desligada e quando está a trabalhar ao ralenti, além do tempo de utilização).

Apenas para os países europeus ENH003-14

Declaração de conformidade CE

A Makita Corporation, na qualidade do fabricante responsável, declara que a(s) máquina(s) Makita seguinte(s):

Designação da máquina:

Pistola de pregos de cabeça cortada sem fio

N.º de modelo/Tipo: GN900

são produzidas em série e

estão em conformidade com as Directivas Europeias seguintes:

2006/42/EC

E são fabricadas de acordo com as normas ou os documentos padronizados seguintes:

EN792, EN60745

A documentação técnica é mantida por:

Makita International Europe Ltd.
Technical Department,
Michigan Drive, Tongwell,
Milton Keynes, Bucks MK15 8JD, Inglaterra

30. 1. 2009



Tomoyasu Kato
Director

Makita Corporation
3-11-8, Sumiyoshi-cho,
Anjo, Aichi, 446-8502, JAPAN

Forklaring til generel oversigt

- | | | |
|------------------------|------------------------------|------------------|
| 1. Beskyttelsesbriller | 8. Håndtag til trykanordning | 15. Dyse |
| 2. Ansigtskærm | 9. Magasin | 16. Skruer |
| 3. Batteripakke | 10. Kontaktelement | 17. Krog |
| 4. Gaspatrondæksel | 11. Unbrakonøgle | 18. Filterdæksel |
| 5. Afbryderkontakt | 12. Knap | 19. Filter |
| 6. Indikatorlampe | 13. Doseringsventil | |
| 7. Trykknop | 14. Hætte | |

SPECIFIKATIONER

Model	GN900
Sømlængde X skaftlængde	Sømlængde: 50 mm - 90 mm d: 2,9 mm - 3,3 mm
Sømkapacitet	40 søm (1 bånd)
Sømkollationsvinkel (grad)	34
Udformning af sømhovedet	Reduceret
Størrelse (L x B x H)	321 mm x 108 mm x 368 mm
Nettovægt	3,3 kg
Nominel spænding	7,2 V DC

- På grund af vores løbende forsknings- og udviklingsprogram kan specifikationerne heri ændres uden forudgående varsel.
- Specifikationerne og batteripakken kan variere fra land til land.
- Vægt, inklusive batteripakken, i henhold til EPTA-Procedure 01/2003

Symboler

END107-7

Følgende viser de symboler, der benyttes til udstyret. Vær sikker på, at du forstår deres betydning, før du bruger værktøjet.



... Læs brugsanvisningen.



..... Beholder under tryk som skal holdes væk væk fra temperaturer over 50°C (fx solstråler). Opbevar beholderen på et sted med ordentlig ventilation.



..... Må kun bruges udenfor og i rum med ordentlig ventilation. Undlad at indånde gas.



..... Må ikke bruges i nærheden af flammer eller sprøjtes på varme overflader. Under brug kan der dannes en brandfarlig/eksplosiv damp-luftblanding.



..... Må ikke beskadiges, punkteres eller brændes, selv efter brug.



..... Bær beskyttelsesbriller.



..... Hold fingrene væk fra afbryderkontakten, når du ikke slår søm i, for at undgå utilsigtet affyring.



..... Må kun bruges på steder med ordentlig ventilation for at undgå kvalme og tab af bevidsthed. Brug aldrig værktøjet i brandfarlige atmosfærer. Værktøjets udstødning kan antænde brandfarlige materialer.



..... Anvend ikke enheden på stilladser eller stiger.



..... Advarsel: varm overflade!
Rør ikke omkring dette symbol. Berøring af overfladen kan medføre forbrændinger eller personskader.



..... Kun for EU-lande
Elektrisk udstyr eller batteripakke må ikke bortskaffes sammen med almindeligt affald!

I henhold til det europæiske direktiv om bortskaffelse af elektriske og elektroniske produkter og om batterier og akkumulatører og bortskaffelse af batterier og akkumulatører og deres implementering under gældende national lovgivning skal brugt elektrisk udstyr, batterier og batteripakke(r), der har udtjent deres levetid, indsamles separat og returneres til miljøgodkendt genindvinding.

Tilsigtet brug

ENE059-1

Dette værktøj er tiltænkt til det indledende indvendige arbejde såsom fastgørelse af bjælker eller almindelige spær og rammekonstruktion i et 2" x 4"-hus.

Generelle sikkerhedsadvarsler for maskiner

GEA010-1

⚠ ADVARSEL Læs alle sikkerhedsadvarsler og alle instruktioner. Hvis De ikke følger alle advarsler og instruktioner, kan det medføre elektrisk stød, brand og/eller alvorlig personskade.

Gem alle advarsler og instruktioner til senere reference.

Sikkerhedsadvarsler for ledningsfri sømpistol/hæftepistol

ENB111-4

⚠ ADVARSEL Læs alle sikkerhedsadvarslerne og alle instruktionerne. Det kan medføre alvorlig personskade, elektrisk stød og/eller brand, hvis du ikke overholder advarslerne og følger instruktionerne.

Gem alle advarsler og instruktioner så du har dem til fremtidig brug.

Af hensyn til din personlige sikkerhed og for at sikre korrekt brug og vedligeholdelse af værktøjet skal du læse denne brugsanvisning, før du anvender værktøjet.

Generel sikkerhed

- Lad ikke uøvede personer benytte værktøjet.
- Undlad at lege med værktøjet. Hav respekt for værktøjet som værende et arbejdsredskab.
- Undlad at benytte det, hvis du er påvirket af alkohol, medicin eller lignende.
- Foretag aldrig ændringer på værktøjet.

Personligt sikkerhedsudstyr

- Bær altid beskyttelsesbriller for at beskytte øjnene mod støv eller skader forårsaget af befæstelseselementer.

⚠ ADVARSEL: Det er arbejdsgiverens ansvar at påbyde brug af beskyttelsesudstyr til øjnene af brugerne af værktøjet samt af andre personer i arbejdsområdet.

Gælder kun Australien og New Zealand

- Bær altid beskyttelsesbriller og ansigtsskærm for at beskytte øjnene mod støv eller skader forårsaget af befæstelseselementer. Beskyttelsesbrillerne og ansigtsskærmen skal være i overensstemmelse med AS/NZS 1336. (Fig. 1)
- Bær høreværn for at beskytte hørelsen mod udstødningsstøj, og bær desuden hovedbeskyttelse. Bær også let, men ikke løs beklædning. Ærmer skal være knappet eller rullet op. Undlad at bære slips.

Sikkerhedsregler for arbejdsområdet

- Brug aldrig værktøjet i lukkede eller dårligt ventilerede rum. Ellers kan kullite muligvis forårsage svimmelhed, kvalme eller tab af bevidsthed.
- Hold arbejdsområdet rent og ordentligt belyst. Rodede eller mørke arbejdsområder medfører uheld.

- Betjen ikke værktøjet i eksplosive atmosfærer, for eksempel ved tilstedeværelse af brændbare væsker, gasser eller støv. Betjening af værktøjet fremkalder gnister, der kan antænde støv eller dampe.
- Hold børn og andre i nærheden på afstand under betjeningen af et værktøj. Distractioner kan medføre, at du mister kontrollen med værktøjet.
- Sørg for, at arbejdsområdet er tilstrækkeligt belyst.
- Der kan gælde lokal lovgivning vedrørende støj, som skal overholdes for at holde støjniveauet inden for de lovmæssige grænser. I nogle tilfælde skal der benyttes skodder til at dæmpe støjen.

Sikkerhedsudstyr

- Sørg for, at alle sikkerhedssystemer fungerer, før anvendelsen. Værktøjet må ikke fungere, hvis der kun trækkes i afbryderkontakten, eller blot ved at kontaktarmen trykkes mod træet. Det må kun fungere, når begge disse handlinger udføres. Kontroller for eventuel fejlfunktion uden befæstelseselementer i værktøjet og med trykanordningen i fuldt indtrykket position.
- Undlad at pille ved kontaktelelementet. Det forhindrer udladning ved uheld, og det skal derfor forblive monteret og må ikke fjernes. Det er også meget farligt at fastlåse afbryderkontakten i ON-stillingen. Forsøg aldrig at fastlåse afbryderkontakten. Undlad at betjene værktøjet, hvis nogen del af værktøjets betjeningskontroller ikke kan benyttes, er deaktiveret, ændret eller ikke fungerer korrekt.
- Forsøg ikke at holde kontaktelelementet nede ved hjælp af tape eller ståltråd. Det kan afstedkomme dødsfald eller alvorlig personskade.
- Kontroller altid kontaktelelementet som beskrevet i denne brugsanvisning. Der kan affyres befæstelseselementer ved et uheld, hvis sikkerhedsmekanismen ikke fungerer korrekt.

Isætning af befæstelseselementer

- Undlad at sætte befæstelseselementer i værktøjet, mens en af betjeningskontrollerne er aktiveret.
- Brug kun de befæstelseselementer, der er angivet i denne brugsanvisning. Brug af andre befæstelseselementer kan muligvis beskadige værktøjet.

Drivkilde

- Brug kun værktøjet sammen med en ægte Makita gaspatron.
- Rør ikke ved den flydende gas som sprayes ud af gaspatronen. Kontakt med gassen kan medføre personskade.
- Risiko for brand og eksplosion. Når du håndterer gaspatronen med henblik på opbevaring, transport, isætning i og udtagning af værktøjet og bortskaffelse:
 - Den må ikke udsættes for sollys og temperaturer over 50°C;
 - Undgå rygning;
 - Undgå gnister og åbn ild.
- Sørg altid for at tage batteripakken ud og fjerne alle befæstelseselementerne:
 - Når værktøjet efterlades uden opsyn;
 - Før du udfører vedligeholdelse eller reparation;
 - Før du fjerner fastklemte befæstelseselementer;
 - Før værktøjet transporteres til et andet sted.

Betjeningsikkerhed

- Kontroller altid værktøjets generelle tilstand, og se efter løse skruer før brugen. Stram til efter behov.
- Hånder værktøjet forsigtigt, da der er højtryk inde i værktøjet, som kan være farlig, hvis hårdhændet behandling (stød eller slag) forårsager revner. Forsøg ikke at snitte eller gravere i værktøjet.
- Stop arbejdet øjeblikkeligt, hvis du bemærker fejlfunktion eller noget unormalt ved værktøjet. Anvend ikke værktøjet, hvis det ikke fungerer korrekt.
- Ret ikke udstødsporten mod personer i nærheden. Hold hænder og fødder borte fra området omkring udstødsporten.
- Gå altid ud fra at værktøjet indeholder befæstelseselementer.
- Ret aldrig værktøjet mod dig selv eller andre, uanset om det indeholder befæstelseselementer eller ej.
- Arbejd stille og roligt og uden at belaste værktøjet. Hånder værktøjet forsigtigt.
- Aktiver ikke værktøjet, medmindre det er placeret fast mod arbejdsemnet.
- Bær eller hold aldrig værktøjet med fingeren på afbryderkontakten og giv aldrig værktøjet videre til andre på den måde. Utilsigtet affiring kan medføre alvorlig personskade.
- Anvend aldrig skrueautomater, der er mærket med symbolet "Må ikke anvendes på stilladser, stiger" til bestemte formål, f.eks.:
 - Ved skift fra et arbejdssted til et andet, der involverer brug af stilladser, trapper, stiger eller stigelignende konstruktioner som f.eks. taglægger.
 - Lukning af kasser eller tremmekasser;
 - Montering af transportsikkerhedssystemer, f.eks. på biler og vogne.
- Kontroller vægge, lofter, gulve, tage og lignende omhyggeligt for at undgå risiko for elektrisk stød, gasudslivning, eksplosioner osv. ved at ramme strømførende ledninger, vandledninger eller gasrør.
- Anvend ikke værktøjet til fastgørelse af elkabler. Det er ikke beregnet til fastgørelse af elkabler, og kan skade elkablets isolering og dermed forårsage elektriske stød eller brandfare.
- Vær opmærksom på fodfæstet, og hold balancen med værktøjet. Sørg for, at der ikke er nogen under dig, når du arbejder på højtliggende steder for at forebygge fare i tilfælde af pludselige ryk eller ved fastklemning.
- På tage og andre højtliggende steder skal du skyde befæstelseselementer i, efterhånden som du bevæger dig fremad. Du risikerer at miste fodfæstet, hvis du skyder befæstelseselementer i, mens du går baglæns. Når du skyder befæstelseselementer i lodrette overflader, skal du starte oppefra og bevæge dig nedefter. På denne måde kan du arbejde uden at blive træt.
- Et befæstelseselement kan blive bøjet eller sidde fast i værktøjet, hvis du ved en fejltagelse driver et befæstelseselement oven i et andet befæstelseselement eller rammer en knast i træet. Befæstelseselementet kan blive slynget ud og ramme personer, eller selve værktøjet kan reagere på en farlig måde. Vær omhyggelig med placeringen af befæstelseselementer.
- Forsøg aldrig at skyde befæstelseselementer i fra både indersiden og ydersiden på samme tid.

Befæstelseselementerne kan gå igennem og/eller flyve væk og udgøre en alvorlig fare.

Service

- Udfør rengøring og vedligeholdelse, umiddelbart efter at du er færdig med arbejdet. Hold værktøjet i perfekt stand. Smør bevægelige dele for at forebygge rust og slid som følge af friktion. Tør alt støv bort fra delene.
- Bed et autoriseret Makita-servicecenter om at udføre regelmæssigt eftersyn af værktøjet.
- For at holde produktet SIKKERT og PÅLIDELIGT skal vedligeholdelse udføres af autoriserede Makita-servicecentre, og der skal benyttes Makita-reservedele.

GEM DISSE INSTRUKTIONER.



ADVARSEL:

LAD IKKE tryghed eller kendskab til produktet (fra gentagen brug) føre til, at du ikke strengt overholder sikkerhedsreglerne for det gældende produkt. MISBRUG eller manglende overholdelse af sikkerhedsreglerne i denne brugsanvisning kan medføre alvorlig personskade.

VIGTIGE SIKKERHEDSINSTRUKTIONER

ENC007-7

FOR BATTERIPAKKEN

1. Før brugen af batteripakken skal du læse alle instruktioner og advarsler på (1) batteriopladeren, (2) batteriet og (3) det produkt, som batteriet anvendes i.
2. Skil ikke batteripakken ad.
3. Hvis driftstiden bliver betydeligt kortere, skal du straks ophøre med brugen. Brug kan medføre risiko for overophedning, risiko for forbrændinger eller endog eksplosion.
4. Hvis du får elektrolyt i øjnene, skal du med det samme rense øjnene med rent vand og søge læge. Dette kan medføre tab af synet.
5. Kortslut ikke batteripakken:
 - (1) Undgå at røre ved terminalerne med ledende materiale.
 - (2) Undgå at opbevare batteripakken i en beholder med andre metalgenstande som f.eks. søm, mønter osv.
 - (3) Udsæt ikke batteripakken for vand eller regn. Hvis batteriet kortsluttes, kan det medføre voldsom strøm, overophedning, mulige forbrændinger og endog nedbrud.
6. Undgå at opbevare værktøjet og batteripakken på steder, hvor temperaturen kan komme op på eller overstige 50°C.
7. Sæt ikke ild til batteripakken, selvom den er alvorligt beskadiget eller helt udtjent. Batteripakken kan eksplodere ved brand.
8. Undgå at tabe eller slå på batteriet.
9. Undlad brug af et beskadiget batteri.

GEM DISSE INSTRUKTIONER.

Tips til, hvordan du forlænger batteriets levetid

1. **Oplad batteripakken, før den bliver helt afladet. Ophør med at bruge værktøjet, og udskift batteripakken, hvis strømmen til værktøjet aftager.**
2. **Oplad aldrig en fuldt opladet batteripakke. Overopladning forkorter batteriets levetid.**
3. **Oplad batteripakken ved stuetemperatur på 10°C - 40°C. Lad batteripakken køle ned før den oplades, hvis den er varm.**
4. **Oplad batteripakken en gang hver sjette måned, hvis du ikke bruger det i lang tid.**

Oversigt over sømpistolen (Fig. 2)

FUNKTIONSBESKRIVELSE

FORSIGTIG:

- Sørg altid for at fjerne gaspatronen, batteripakken og sømmene, inden du justerer eller kontrollerer funktionen af værktøjet.

Montering eller afmontering af batteripakken (Fig. 3)

- Sluk altid for værktøjet, før du monterer eller afmonterer batteripakken.
- Ved afmontering af batteripakken trækkes den ud af værktøjet, mens der trykkes på knappen på siden af pakken, som vist på figuren. (Fig. 4)
- Når du sætter batteripakken i, skal du holde den sådan, at forkanten på batteripakken passer ind i batteriåbningen, og skubbe den ind på plads. Sæt den altid hele vejen ind, indtil den låses på plads med et lille klik. Ellers kan den falde ud af værktøjet og skade dig eller andre personer i nærheden.
- Brug ikke magt ved montage af batteripakken. Hvis den ikke glider let ind, er den ikke indsat korrekt.

Gaspatron

Monter doseringsventilen på gaspatronen (Fig. 5)

Løsn hættten (hvis doseringsventilen er udstyret med en hætte). (Fig. 6)

Tryk ind på den forreste kant. (Fig. 7)

Tryk ind på den bagerste kant indtil den sidder på plads.

Isætning af gaspatronen (Fig. 8)

Tryk op og og træk i gaspatrondækslet for at åbne det. (Fig. 9)

Isæt gaspatronen med dysen på doseringsventilen vendende mod adapteren. (Fig. 10)

Sæt dysen ordentligt ind i det lille hul i adapteren. (Fig. 11)

Placer gaspatrondækslet over doseringsventilen og tryk ned for at låse det fast.

Justering af sømddybden

FORSIGTIG:

- Fjern gaspatronen, batteripakken og sømmene, inden du justerer sømddybden. (Fig. 12)

Løsn de to skruer med unbrakonøglen og flyt kontaktelelementet. Spænd skruerne ordentligt til igen.

Indikatorlampe

Farven på indikatorlampen har følgende betydninger.

Blinker grønt: Normal status

Blinker rødt: Batteripakken behøver genopladning

Lyser rødt: Genoplad batteripakken. Kan ikke sømme pga. mangel på strøm på batteriet.

Blinker orange: Grundig rengøring anbefales. Se afsnittet "VEDLIGEHOLDELSE" angående grundig indvendig rengøring af maskinen. For at nulstille den orange blinken af indikatorlampen skal du skubbe kontaktelelementet i fem sekunder, og derefter skubbe kontaktelelementet fem gange.

Blinker orange efter at have blinket henholdsvis grønt og rødt. Fejldetektion kører. Tag batteripakken ud og sæt den i igen for at nulstille værktøjet. Hvis fejldetektionen kører igen, er der funktionsfejl på værktøjet. Henvend dig til dit lokale Makita-servicecenter angående reparation.

Montering af krogen (Fig. 13)

Krogen er praktisk til midlertidigt at hænge værktøjet i.

Krogen kan indstilles i to positioner, alt efter hvor værktøjet skal hænges.

For at ændre positionen af krogen skal du trykke ind fra begge sider nederst på krogen, og så skifte til anden position.

MONTERING

FORSIGTIG:

- Sørg altid for at fjerne gaspatronen og batteripakken.

Isætning af søm i sømpistolen (Fig. 14)

Indsæt en strimmel søm i sprækken bagerst i magasinet. (Fig. 15)

Træk håndtaget til trykanordningen tilbage i magasinet og returner det forsigtigt tilbage til enden af strimmen. (Fig. 16)

Isæt søm så de er placeret parallelt med frontstyrestykket.

Udtagning af søm (Fig. 17)

Træk i håndtaget til trykanordningen og tryk på trykknappen for at frigøre sømfremføreren og returner håndtaget til trykanordningen til toppen ved at trykke på trykknappen.

Skub sømmene bagud i magasinet og tag dem ud.

BETJENING

ADVARSEL:

- **Rør ikke omkring denne udstødningsåbning.** Overfladen bliver meget varm under og efter anvendelse. Berøring omkring udstødningsåbningen kan medføre forbrændinger eller personskader.

FORSIGTIG:

- Sørg for, at alle sikkerhedssystemer fungerer, før anvendelsen. (Fig. 18)
- 1. For at slå søm i skal du først placere kontaktelelementet på arbejdsområdet.

Ventilatormotoren aktiveres, der sprøjtes gas ind i forbrændingskammeret, og det blandes med luft vha. ventilatoren. (Fig. 19)

2. Hold kontaktelementet trykket ordentligt ned og træk i afbryderkontakten.

Gassen forbrændes, og sømmet slås i.

3. Yderligere islåning af søm kan kun udføres ved at både kontaktelementet og afbryderkontakten udløses.

Mekanisme til forhindring af affyring uden søm

Dette er en mekanisme til at forhindre at værktøjet affyres uden søm.

Mekanismen til forhindring af affyring uden søm indstilles automatisk, når der kun er 4-7 søm tilbage.

Fastklemt sømpistol

FORSIGTIG:

- Sørg altid for at fjerne gaspatronen og batteripakken, inden du afhjælper fastklemning.

Gør følgende, hvis sømpistolen sætter sig fast.

1. Fjern gaspatronen, batteripakken og sømmene. (Fig. 20)

2. Løsn magasinets (2) monteringskruer med unbrakonøglen. (Fig. 21)

3. Træk håndtaget/magasinet væk fra spidsen af værktøjet og afhjælp fastklemningen.

4. Ret igen håndtaget/magasinet ind med spidsen og spænd monteringskruerne til.

5. Isæt en strimmel søm.

ADVARSEL:

- **Sørg for, at magasinets monteringskruer er spændte, og at magasinet er spændt fast til spidsen.** Hvis et værktøj forsøges affyret med et løst magasin, mistes kontrollen over sømmene, værktøjet beskadiges, eller der kan affyres søm mod brugeren.

VEDLIGEHOLDELSE

FORSIGTIG:

- Sørg altid for at fjerne gaspatronen, batteripakken og sømmene, før du udfører eftersyn eller vedligeholdelse.
- Anvend aldrig benzin, benzen, fortynder, alkohol eller lignende. Det er risiko for misfarvning, deformation eller revner.

Vedligeholdelse efter dagligt arbejde

Udfør en afslutningsrutine ved arbejdsdagens ophør. Disse enkle trin er baseret på bevaring af værktøjets sikkerhed og ydelse.

Inden du forlader arbejdsstedet:

- Tag batteripakken ud og læg værktøjet ned i en værktøjskuffert. Anvend altid værktøjskufferten til transport og opbevaring af værktøjet.
- Bortskaf alle disse tomme gaspatroner således, at de ikke bliver fundet af børn, knust, punkteret eller brændt.

Når du kommer hjem:

- Placer batteripakken i opladeren, hvis den behøver at oplades, som indikeret vha. den røde indikatorlampe.

- Tør værktøjet af med en ren, blød klud.
- Kontroller filteret og rengør det, hvis det er støvet.

Rengøring af luftfilteret (Fig. 22)

Tryk en lille smule op på filterdækslet og fjern det. Og løft derefter blot filteret ud.

Bank let på filteret for at fjerne støv. Vand og sæbe genopretter filteret, så det næsten bliver som nyt. For at holde produktet SIKKERT og PÅLIDELIGT skal reparationer samt al anden vedligeholdelse eller justering udføres af autoriserede Makita-servicecentre, og der skal altid benyttes Makita-reservedele.

Grundig rengøring

Hvis der ofte affyres uden søm, betyder det, at værktøjet trænger til at blive gjort grundigt rent.

Se den medfølgende rengøringsvejledning angående detaljer og udfør rengøringen.

Hvis du har nogen spørgsmål angående rengøring, skal du henvende dig til dit lokale Makita-servicecenter.

EKSTRAUDSTYR

⚠ FORSIGTIG:

- Dette tilbehør eller ekstraudstyr anbefales til brug med det Makita-værktøj, som er beskrevet i denne brugsanvisning. Brug af andet tilbehør eller ekstraudstyr kan forårsage personskade. Brug kun tilbehør eller ekstraudstyr til det formål, det er beregnet til.

Henvend dig til dit lokale Makita-servicecenter, hvis du har brug for hjælp eller yderligere oplysninger vedrørende tilbehøret.

- Søm
- Sikkerhedsbriller
- Gaspatron
- Rengøringsssæt
- Originalt batteri og oplader fra Makita

BEMÆRK:

- Visse dele på listen er muligvis indeholdt maskinindpakningen som standardtilbehør. De kan variere fra land til land.

Støj

ENG905-1

Det typiske A-vægtede støjniveau bestemt i overensstemmelse med EN792:

Lydtryksniveau (L_{pA}): 89 dB (A)

Lydeffektniveau (L_{WA}): 102 dB (A)

Usikkerhed (K): 3 dB (A)

Bær høreværn.

Vibration

ENG904-2

Den samlede vibrationsemissionsværdi er bestemt i henhold til EN792:

Vibrationsemission (a_{h1}): 2,5 m/s² eller mindre

Usikkerhed (K): 1,5 m/s²

ENG901-1

- Den opgivne vibrationsemissionsværdi er målt i overensstemmelse med standardtestmetoden og kan bruges til at sammenligne et værktøj med et andet.
- Den opgivne vibrationsemissionsværdi kan muligvis også bruges til en indledende eksponeringsvurdering.

⚠ ADVARSEL:

- Vibrationsemissionen under den faktiske brug af maskinen kan afvige fra den opgivne emissionsværdi afhængigt af den måde, maskinen anvendes på.
- Sørg for at bestemme sikkerhedsforanstaltninger for beskyttelse af operatøren, som er baseret på en eksponeringsvurdering for brug under faktiske forhold (hvor alle anvendelsescyklussens dele inddrages, som f.eks. antal gange maskinen slukkes, og når den kører i tomgang ud over triggertiden).

Kun for europæiske lande

ENH003-14

EF-overensstemmelseserklæring

Vi, Makita Corporation, erklærer som ansvarlig producent at følgende Makita-maskine(r):

Maskinens betegnelse:

Ledningsfri sømpistol til søm m. reduceret hoved

Modelnummer/ type: GN900

er en produktionsserie og

Overholder følgende europæiske direktiver:

2006/42/EF

Og er produceret i overensstemmelse med følgende standarder eller standardiserede dokumenter:

EN792, EN60745

Den tekniske dokumentation findes hos:

Makita International Europe Ltd.

Technical Department,

Michigan Drive, Tongwell,

Milton Keynes, Bucks MK15 8JD, England

30. 1. 2009



Tomoyasu Kato

Direktør

Makita Corporation

3-11-8, Sumiyoshi-cho,

Anjo, Aichi, 446-8502, JAPAN

ΕΛΛΗΝΙΚΑ (Πρωτογενείς οδηγίες)

Γενική περιγραφή

- | | | |
|----------------------|-------------------------|----------------------|
| 1. Γυαλιά προστασίας | 8. Μοχλός ωθητή | 15. Ακροφύσιο εκροής |
| 2. Προσωπίδα | 9. Γεμιστήρας | 16. Βίδες |
| 3. Μπαταρία | 10. Στοιχείο επαφής | 17. Γάντζος |
| 4. Κάλυμμα καυσίμου | 11. Εξαγωγικό άλεν | 18. Κάλυμμα φίλτρου |
| 5. Σκανδάλη | 12. Κουμπί | 19. Φίλτρο |
| 6. Ενδεικτική λυχνία | 13. Δοσιμετρική βαλβίδα | |
| 7. Κουμπί ωθητή | 14. Καπάκι | |

ΠΡΟΔΙΑΓΡΑΦΕΣ

Μοντέλο	GN900
Μήκος καρφιού Χ Διάμετρος στελέχους	Μήκος καρφιού: 50 mm - 90 mm Διάμετρος: 2,9 mm - 3,3 mm
Χωρητικότητα καρφιών	40 καρφιά (1 λωρίδα)
Γωνία συρραφής καρφιών (μοίρες)	34
Μορφή της κεφαλής καρφιού	Συντετμημένη
Διαστάσεις (Μ Χ Π Χ Υ)	321 mm Χ 108 mm Χ 368 mm
Καθαρό βάρος	3,3 kg
Ονομαστική τιμή τάσης	D.C. 7,2 V

- Λόγω του συνεχόμενου προγράμματος που εφαρμόζουμε για έρευνα και ανάπτυξη, τα τεχνικά χαρακτηριστικά στο παρόν έντυπο υπόκεινται σε αλλαγή χωρίς προειδοποίηση.
- Τα τεχνικά χαρακτηριστικά και η μπαταρία ενδέχεται να διαφέρουν από χώρα σε χώρα.
- Βάρος μαζί με την μπαταρία σύμφωνα με τη διαδικασία της ΕΡΤΑ 01/2003

Σύμβολα

Παρακάτω παρουσιάζονται τα σύμβολα που χρησιμοποιούνται για τον εξοπλισμό. Βεβαιωθείτε ότι κατανοείτε τη σημασία τους πριν από τη χρήση.

END107-7



..... Χρησιμοποιήστε το μόνο σε καλά αεριζόμενους χώρους για την αποφυγή της πρόκλησης της ναυτίας και της λιποθυμίας. Ποτέ να μην χρησιμοποιήσετε το εργαλείο σε εύφλεκτα περιβάλλοντα. Η εξάτμιση του εργαλείου μπορεί να προκαλέσει την ανάφλεξη των εύφλεκτων υλικών.



..... Μη χρησιμοποιείτε σε σκαλωσιές ή σκάλες.



..... Προειδοποίηση: θερμή επιφάνεια! Μην αγγίζετε γύρω από αυτό το σύμβολο. Το άγγιγμα της επιφάνειας μπορεί να προκαλέσει εγκαύματα ή τραυματισμούς.



..... Μόνο για τις χώρες της ΕΕ
Μην απορρίπτετε τον ηλεκτρικό εξοπλισμό ή την μπαταρία μαζί με τα οικιακά απορρίμματα!
Σύμφωνα με την Ευρωπαϊκή Οδηγία περί απορριμμάτων ηλεκτρικών, ηλεκτρονικών συσκευών, μπαταριών και συσσωρευτών και των απορριμμάτων μπαταριών και συσσωρευτών και την ενσωμάτωσή τους στην εθνική νομοθεσία, οι ηλεκτρικές συσκευές, οι μπαταρίες και οι κασέτες μπαταριών, των οποίων έχει παρέλθει ο χρόνος ωφέλιμης ζωής τους, πρέπει να συλλέγονται



..... Διαβάστε το εγχειρίδιο οδηγιών.



..... Δοχείο υπό πίεση, κρατήστε το μακριά από θερμοκρασίες μεγαλύτερες των 50°C (πχ., ηλιακή ακτινοβολία). Διατηρήστε το δοχείο σε ένα χώρο με καλό αερισμό.



..... Χρησιμοποιήστε το μόνο σε εξωτερικό χώρο ή σε καλά αεριζόμενα δωμάτια. Μην αναπνεύσετε το αέριο.



..... Μη το χρησιμοποιείτε κοντά σε φλόγες ή το ψεκάστε σε θερμαινόμενες επιφάνειες. Κατά τη χρήση μπορεί να σχηματίσει εύφλεκτο/εκρηκτικό μίγμα αμμού-αέρα.



..... Μην του προκαλέσετε φθορά, τρύπημα ή το κάψετε μετά από τη χρήση.



..... Να φοράτε γυαλιά προστασίας.



..... Κρατήστε τα δάκτυλά σας μακριά από τη σκανδάλη όταν δεν καρφώνετε συνδετήρες για την αποφυγή της τυχαίας εκπυροσκόρησης.

ξεχωριστά και να επιστρέφονται σε εγκαταστάσεις περιβαλλοντικής ανακύκλωσης.

Προοριζόμενη χρήση

ENE059-1

Το εργαλείο προορίζεται για προκαταρκτικές εργασίες σε εσωτερικά μέρη όπως για τη στερέωση ενώσεων στο πάτωμα ή για κοινές εργασίες σε δοκούς στέγης και σκελετούς με 5 εκ. x 10 εκ. περιβλήμα.

Γενικές Προειδοποιήσεις Ασφαλείας Του Ηλεκτρικού Εργαλείου

GEA010-1

⚠️ ΠΡΟΕΙΔΟΠΟΙΗΣΗ Διαβάστε όλες τις προειδοποιήσεις ασφαλείας και όλες τις οδηγίες. Αν δεν ακολουθήσετε όλες τις προειδοποιήσεις και τις οδηγίες, υπάρχει κίνδυνος ηλεκτροπληξίας, πυρκαγιάς ή/και σοβαρού τραυματισμού.

Φυλάξτε όλες τις προειδοποιήσεις και τις οδηγίες για μελλοντική αναφορά.

Προειδοποιήσεις ασφαλείας καρφωτή/συρραπτικού μπαταρίας

ENB111-4

⚠️ ΠΡΟΕΙΔΟΠΟΙΗΣΗ Διαβάστε όλες τις προειδοποιήσεις ασφαλείας και όλες τις οδηγίες. Αν δεν ακολουθήσετε όλες τις προειδοποιήσεις και τις οδηγίες, μπορεί να προκληθεί σοβαρός τραυματισμός, ηλεκτροπληξία ή/και πυρκαγιά.

Φυλάξτε όλες τις προειδοποιήσεις και τις οδηγίες για μελλοντική αναφορά.

Για την προσωπική ασφάλεια και τη σωστή λειτουργία και συντήρηση του εργαλείου, διαβάστε αυτό το εγχειρίδιο οδηγιών πριν χρησιμοποιήσετε το εργαλείο.

Γενική ασφάλεια

- Μην επιτρέπετε σε ανειδίκευτα άτομα να χρησιμοποιούν το εργαλείο.
- Μην αστειεύεστε με το εργαλείο. Να παίρνετε το εργαλείο στα σοβαρά κατά την εκτέλεση της εργασίας.
- Μη θέτετε το εργαλείο σε λειτουργία όταν βρισκείτε υπό την επήρεια αλκοόλ, φαρμάκων ή παρόμοιων ουσιών.
- Ποτέ να μην τροποποιήσετε το εργαλείο.

Εξοπλισμοί προσωπικής προστασίας

- Να φοράτε πάντοτε γυαλιά προστασίας για να προστατεύετε τα μάτια σας από τραυματισμό λόγω σκόνης ή συνδετήρων.

⚠️ ΠΡΟΕΙΔΟΠΟΙΗΣΗ: Ο εργοδότης έχει την ευθύνη να επιβάλλει τη χρήση προστατευτικού εξοπλισμού για τα μάτια από τους χειριστές του εργαλείου και τα άλλα άτομα που βρίσκονται στην άμεση περιοχή εργασίας.

Για την Αυστραλία και τη Νέα Ζηλανδία μόνο

Να φοράτε πάντοτε γυαλιά προστασίας και προσωπικά για να προστατεύετε τα μάτια σας από τραυματισμό λόγω σκόνης ή συνδετήρων. Τα προστατευτικά γυαλιά και η προσωπίδα θα πρέπει να συμμορφώνονται με τις απαιτήσεις της AS/NZS 1336. **(Εικ. 1)**

- Να φοράτε γυαλιά ασφαλείας για να προστατεύετε τα αυτιά σας από το θόρυβο της εξάτμισης, καθώς και προστατευτικό κεφαλής. Επίσης, να φοράτε ελαφρά, αλλά όχι φαρδιά ρούχα. Τα μανίκια πρέπει να είναι κομπωμένα ή ανεβασμένα. Δεν πρέπει να φοράτε γραβάτα.

Ασφάλεια στο χώρο εργασίας

- Μη χρησιμοποιείτε ποτέ το εργαλείο σε κλειστούς ή σε φωτιά αεριζόμενους χώρους. Διαφορετικά, το μονοξείδιο του άνθρακα μπορεί να προκαλέσει ζάλη, ναυτία ή απώλεια των αισθήσεων.
- Να διατηρείτε το χώρο εργασίας καθαρό και καλά φωτισμένο. Σε ακατάστατους ή σκοτεινούς χώρους προκαλούνται ατυχήματα.
- Μη θέτετε σε λειτουργία το εργαλείο σε εκρηκτικές ατμόσφαιρες, όπως παρουσιάζει εύφλεκτων υγρών, αερίων ή σκόνης. Η λειτουργία του εργαλείου μπορεί να δημιουργήσει σπινθήρες που μπορεί να προκαλέσουν ανάφλεξη της σκόνης ή των ατμών.
- Να απομακρύνετε τα παιδιά και τους παρευρισκόμενους όταν χειρίζεστε το εργαλείο. Αν αποσπαστεί η προσοχή σας, μπορεί να χάσετε τον έλεγχο.
- Παρέχετε επαρκή φωτισμό στην περιοχή εργασίας.
- Ενδοχομένως να υπάρχουν τοπικοί κανονισμοί που αφορούν το θόρυβο και στους οποίους πρέπει να συμμορφώνεστε διατηρώντας τη στάθμη θορύβου εντός των προδιαγραφόμενων ορίων. Σε ειδικές περιπτώσεις πρέπει να χρησιμοποιούνται παρατετάσματα για τον περιορισμό του θορύβου.

Συσκευές ασφαλείας

- Βεβαιωθείτε ότι όλα τα συστήματα ασφαλείας βρίσκονται σε καλή κατάσταση πριν από τη λειτουργία. Το εργαλείο δεν πρέπει να λειτουργεί αν πιεστεί μόνο η σκανδάλη ή αν πατηθεί μόνο ο βραχιόνιος επαφής επάνω στο ξύλο. Πρέπει να λειτουργεί μόνο όταν εκτελούνται και οι δύο ενέργειες. Δοκιμάστε για πιθανή ελαττωματική λειτουργία όταν το εργαλείο δεν είναι γεμάτο με συνδετήρες και ο ωθητής βρίσκεται στην πλήρη τραβηγμένη θέση.
- Μην παίζετε με το στοιχείο επαφής: αυτό εμποδίζει την τυχαία εκφόρτωση, για το λόγο αυτό πρέπει να παραμένει πάντοτε στη θέση του και να μην αφαιρείται. Είναι επίσης πολύ επικίνδυνο να ασφαλίσετε τη σκανδάλη στην ενεργή θέση (ON). Ποτέ μην επιχειρήσετε να ασφαλίσετε τη σκανδάλη. Μη θέσετε το εργαλείο σε λειτουργία αν οποιοδήποτε τμήμα των χειριστήριων λειτουργίας είναι χαλασμένο, αποσυνδεδεμένο, τροποποιημένο ή δεν λειτουργεί σωστά.
- Μην προσπαθήσετε να κρατήσετε το στοιχείο επαφής πιεσμένο με ταίρια ή σύρμα. Μπορεί να προκληθεί θάνατος ή σοβαρός τραυματισμός.
- Πάντοτε να ελέγχετε το στοιχείο επαφής σύμφωνα με τις οδηγίες αυτού του εγχειριδίου, οι συνδετήρες μπορεί να πεταχτούν κατά λάθος εάν δεν λειτουργεί σωστά ο μηχανισμός ασφαλείας.

Φόρτωση συνδετήρων

- Μη γεμίζετε το εργαλείο με συνδετήρες όταν είναι ενεργοποιημένο κάποιο από τα χειριστήρια λειτουργίας.
- Να χρησιμοποιείτε μόνο συνδετήρες που καθορίζονται στο εγχειρίδιο αυτό. Αν χρησιμοποιήσετε άλλους

συνδετήρες, μπορεί να προκληθεί δυσλειτουργία του εργαλείου.

Πηγή ισχύος

- Να χρησιμοποιείτε το εργαλείο μόνο με το αυθεντικό στοιχείο καυσίμου της Makita.
- Μην αγγίζετε το υγραέριο που εκτοξεύεται έξω από το στοιχείο καυσίμου. Η επαφή με αυτό μπορεί να προκαλέσει τραυματισμό.
- Κίνδυνος πυρκαγιάς και εκρήξης. Κατά τον χειρισμό του στοιχείου καυσίμου με σκοπό την αποθήκευση, μεταφορά, εισαγωγή προς καθώς και έξοδο από το εργαλείο και κατά την απόρριψη:
 - μην το εκθέσετε στο ηλιακό φως και σε θερμοκρασίες που υπερβαίνουν τους 50°C (122°F),
 - μην καπνίζετε,
 - αποφύγετε τους σπινθήρες και την γυμνή φλόγα.
- Πάντα να αφαιρείτε την κασέτα μπαταρίας και όλους τους συνδετήρες:
 - όταν δεν προσέχει κανείς το εργαλείο,
 - πριν εκτελέσετε οποιαδήποτε εργασία συντήρησης ή επισκευής,
 - πριν αποκαταστήσετε κάποια εμπλοκή,
 - πριν μετακινήσετε το εργαλείο σε νέα τοποθεσία,

Ασφάλεια λειτουργίας

- Πριν από τη λειτουργία, να ελέγχετε πάντοτε τη γενική κατάσταση του εργαλείου, αλλά και αν οι βίδες είναι χαλαρές. Σφίξτε όπως απαιτείται.
- Να χειρίζεστε το εργαλείο προσεχτικά, επειδή υπάρχει υψηλή πίεση στο εσωτερικό του, που μπορεί να είναι επικίνδυνη αν προκληθεί ρωγμή από απρόσεχτο χειρισμό (πτώση ή χτύπημα). Μην προσπαθήσετε να κάνετε χαρακίες ή αυλακώσεις στο εργαλείο.
- Σταματήστε αμέσως τη λειτουργία αν παρατηρήσετε ότι κάτι δεν πάει καλά ή είναι ασυνήθιστο με το εργαλείο. Μην χρησιμοποιείτε κάποιο εργαλείο που δεν λειτουργεί σωστά.
- Μη στρέψετε τη θύρα εκτίναξης προς οποιοδήποτε άτομο βρίσκεται κοντά. Να κρατάτε τα χέρια και τα πόδια σας μακριά από την περιοχή της θύρας εκτίναξης.
- Να θεωρείτε πάντοτε ότι το εργαλείο περιέχει συνδετήρες.
- Μη στρέψετε το εργαλείο προς το μέρος σας ή προς οποιονδήποτε άλλον, ανεξάρτητα αν περιέχει συνδετήρες ή όχι.
- Μην βιάζεστε να εκτελέσετε την εργασία ή ασκήσετε πίεση στο εργαλείο. Να χειρίζεστε το εργαλείο προσεχτικά.
- Μην ενεργοποιείτε το εργαλείο εκτός αν βρίσκεται τοποθετημένο σταθερά επάνω στο τεμάχιο εργασίας.
- Μην κρατάτε ή μεταφέρετε ποτέ το εργαλείο με το δάκτυλό σας στη σκανδάλη ή μην το δίνετε σε κάποιον άλλον ενώ το δάκτυλό σας βρίσκεται στη σκανδάλη. Η ακούσια ενεργοποίηση μπορεί να προκαλέσει σοβαρό τραυματισμό.
- Ποτέ μη χρησιμοποιήσετε καρφωτικά εργαλεία που φέρουν την ένδειξη "Μη χρησιμοποιείτε σε σκαλωσιές, σκάλες, κτλ." για ειδικές εφαρμογές όπως για παράδειγμα:
 - όταν κατά την αλλαγή από μια τοποθεσία καρφώματος σε μια άλλη χρησιμοποιούνται σκαλωσιές, σκαλοπάτια, σκάλες ή άλλες παρόμοιες κατασκευές, π.χ. σανίδες σκεπών,

- κατά το κλείσιμο κιβωτίων ή τελάρων,
 - κατά την εφαρμογή συστημάτων ασφαλείας μεταφορών π.χ. σε οχήματα και βαγόνια.
- Να ελέγχετε προσεχτικά τους τοίχους, τις οροφές, τα πατώματα, τις στέγες και παρόμοιες κατασκευές για να αποφεύγετε την πιθανή ηλεκτροπληξία, διαρροή αερίου, εκρήξεις, κτλ. που προκαλούνται από κτυπήματα ηλεκτροφόρων καλωδίων, αγωγών ή σωληνών αερίων.
 - Μη χρησιμοποιείτε το εργαλείο για τη στερέωση ηλεκτρικών καλωδίων. Δεν έχει σχεδιαστεί για την εγκατάσταση ηλεκτρικών καλωδίων και ενδέχεται να προκαλέσει ζημιά στη μόνωση των ηλεκτρικών καλωδίων, προκαλώντας κίνδυνο ηλεκτροπληξίας ή πυρκαγιάς.
 - Να προσέχετε ώστε να στέκεστε καλά και να διατηρείτε την ισορροπία σας όταν χρησιμοποιείτε το εργαλείο. Να βεβαιώνετε ότι δεν υπάρχει κανείς από κάτω όταν εργάζεστε σε υψηλές τοποθεσίες για να αποφεύγετε τον κίνδυνο σε περίπτωση που συμβεί απότομο τίνανγμα ή πιάσιμο.
 - Σε σκεπές και άλλες υψηλές τοποθεσίες, να καρφώνετε συνδετήρες καθώς κινείστε προς τα μπροστά. Είναι εύκολο να χάσετε την ισορροπία σας αν καρφώνετε συνδετήρες καθώς κινείστε προς τα πίσω. Όταν καρφώνετε συνδετήρες σε κατακόρυφη επιφάνεια, να καρφώνετε από την κορυφή προς τα κάτω. Με τον τρόπο αυτό, μπορείτε να εκτελείτε εργασίες καρφώματος με λιγότερη κόπωση.
 - Αν από λάθος καρφώσετε ένα συνδετήρα επάνω σε ένα άλλο ή χτυπήσετε ρόζο στο ξύλο, ο συνδετήρας θα στρωβώσει ή το εργαλείο θα πάθει εμπλοκή. Ο συνδετήρας μπορεί να εκτιναχθεί και να χτυπήσει κάποιον ή το ίδιο το εργαλείο μπορεί να αντιβράσει επικίνδυνα. Τοποθετήστε τους συνδετήρες με προσοχή.
 - Ποτέ μη επιχειρήσετε να καρφώσετε συνδετήρες ταυτόχρονα και από μέσα και απ' έξω. Οι συνδετήρες μπορεί να διαπεράσουν το μέσο ή/και να εκτιναχθούν, γεγονός που προκαλεί σοβαρό κίνδυνο.

Σέρβις

- Να εκτελείτε καθαρισμό και συντήρηση του εργαλείου αμέσως μόλις ολοκληρώσετε την εργασία. Να διατηρείτε το εργαλείο σε άριστη κατάσταση. Να λιπαίνετε τα κινούμενα μέρη για να αποφεύγετε την οξείδωση (σκουριάσμα) και να ελαχιστοποιείτε τη φθορά από την τριβή. Σκουπίστε όλη τη σκόνη από τα μέρη του εργαλείου.
- Απευθυνθείτε στα εξουσιοδοτημένα κέντρα εξυπηρέτησης της Makita για τους περιοδικούς ελέγχους του εργαλείου.
- Για να διατηρείται η ΑΣΦΑΛΕΙΑ και η ΑΞΙΟΠΙΣΤΙΑ του προϊόντος, οι εργασίες συντήρησης και επισκευής θα πρέπει να εκτελούνται σε εξουσιοδοτημένα κέντρα εξυπηρέτησης της Makita, και πάντοτε με τη χρήση ανταλλακτικών της Makita.

ΦΥΛΑΞΤΕ ΑΥΤΕΣ ΤΙΣ ΟΔΗΓΙΕΣ.

⚠ ΠΡΟΕΙΔΟΠΟΙΗΣΗ:

ΜΗΝ επιτρέψετε στη βολικότητα ή στην εξοικειωσή σας με το προϊόν (που αποκτήθηκε από επανειλημμένη χρήση) να αντικαταστήσει την αυστηρή προσήλωση στους κανόνες ασφάλειας του

εν λόγω προϊόντος. Η ΛΑΝΘΑΣΜΕΝΗ ΧΡΗΣΗ ή η μη τήρηση των κανόνων ασφαλείας που διατυπώνονται στο παρόν εγχειρίδιο οδηγιών μπορεί να προκαλέσει σοβαρό τραυματισμό.

ΣΗΜΑΝΤΙΚΕΣ ΟΔΗΓΙΕΣ ΑΣΦΑΛΕΙΑΣ

ENC007-7

ΓΙΑ ΤΗΝ ΜΠΑΤΑΡΙΑ

1. Πριν χρησιμοποιήσετε την μπαταρία, διαβάστε όλες τις οδηγίες και τις ενδείξεις προφύλαξης στο (1) φορτιστή μπαταρίας, (2) την μπαταρία και (3) το προϊόν στο οποίο χρησιμοποιείται η μπαταρία.
2. Μην αποσυναρμολογείτε την μπαταρία.
3. Αν ο χρόνος λειτουργίας της μπαταρίας είναι υπερβολικά σύντομος, διακόψτε αμέσως τη λειτουργία. Αν συνεχίσετε, μπορεί να έχει ως αποτέλεσμα τον κίνδυνο υπερθέρμανσης, πιθανών εγκαυμάτων και ακόμη έκρηξης.
4. Αν μπει στα μάτια σας ηλεκτρολύτης, ξεπλύνετε με καθαρό νερό και αναζητήστε αμέσως ιατρική βοήθεια. Μπορεί να χάσετε την όρασή σας.
5. Μην βραχυκυκλώνετε την μπαταρία:
 - (1) Μην αγγίζετε τους ακροδέκτες με αγωγίμο υλικό.
 - (2) Μην αποθηκεύετε την μπαταρία σε δοχείο με άλλα μεταλλικά αντικείμενα, όπως καρφιά, νομίσματα, κτλ.
 - (3) Μην εκθέτετε την μπαταρία σε νερό ή βροχή. Αν βραχυκυκλωθεί η μπαταρία, μπορεί να προκληθεί μεγάλη ροή ηλεκτρικού ρεύματος, υπερθέρμανση, πιθανά εγκαύματα και ακόμη και καταστροφή της μπαταρίας.
6. Μην αποθηκεύετε το εργαλείο και την μπαταρία σε μέρη όπου η θερμοκρασία μπορεί να φτάσει ή να ξεπεράσει τους 50°C (122°F).
7. Μην αποπεφώνετε την μπαταρία ακόμη κι αν παρουσιάζει σοβαρή ζημιά ή είναι εντελώς φθαρμένη. Η μπαταρία μπορεί να εκραγεί σε φωτιά.
8. Να προσέχετε να μη σας πέσει η μπαταρία και να μη συγκρουστεί με κάποιο αντικείμενο.
9. Μην χρησιμοποιείτε μια μπαταρία που έχει υποστεί βλάβη.

ΦΥΛΑΞΤΕ ΑΥΤΕΣ ΤΙΣ ΟΔΗΓΙΕΣ.

Συμβουλές για τη διατήρηση της μέγιστης ζωής της μπαταρίας

1. Να φορτίζετε την μπαταρία πριν αποφορτιστεί εντελώς. Πάντοτε να διακόπτετε τη λειτουργία του εργαλείου και να φορτίζετε την μπαταρία όταν παρατηρείται μειωμένη ισχύ του εργαλείου.
2. Ποτέ μην επαναφορτίζετε μια πλήρως φορτισμένη μπαταρία. Αν υπερφορτίσετε την μπαταρία, μειώνεται η ωφέλιμη διάρκεια ζωής της.
3. Να φορτίζετε την μπαταρία σε θερμοκρασία δωματίου, δηλαδή στους 10°C έως 40°C (50°F έως 104°F). Αν η μπαταρία είναι θερμή, αφήστε την να ψυχθεί πριν τη φορτίσετε.

4. Να φορτίζετε την κασέτα μπαταρία μια φορά κάθε έξι μήνες όταν δεν τη χρησιμοποιείτε για μεγάλο χρονικό διάστημα.

Περιγραφή του καρφωτικού εργαλείου (Εικ. 2)

ΠΕΡΙΓΡΑΦΗ ΛΕΙΤΟΥΡΓΙΑΣ

ΠΡΟΣΟΧΗ:

- Να βεβαιώνεστε πάντοτε ότι έχετε αφαιρέσει το στοιχείο καυσίμου, τη μπαταρία και τα καρφιά πριν ρυθμίσετε ή ελέγξετε κάποια λειτουργία του εργαλείου.

Τοποθέτηση ή αφαίρεση της μπαταρίας (Εικ. 3)

- Πάντοτε να σβήνετε το εργαλείο πριν βάζετε ή βγάξετε τη μπαταρία.
- Για να αφαιρέσετε τη μπαταρία, σύρετέ τη από το εργαλείο καθώς πιέζετε το κουμπί στο πλάι της μπαταρίας όπως δείχνεται στην εικόνα. (Εικ. 4)
- Για να τοποθετήσετε τη μπαταρία, κρατήστε τη έτσι ώστε η μπροστινή μορφή της μπαταρίας να ταιριάζει στο άνοιγμα στο οποίο τοποθετείται η μπαταρία και ολισθήστε την στη θέση της. Πάντοτε να την τοποθετείτε έως το τέρμα, δηλαδή έως ότου ασφαλίσει στη θέση και ακουστεί ένας χαρακτηριστικός ήχος («κλικ»). Σε αντίθετη περίπτωση, μπορεί να πέσει κατά λάθος από το εργαλείο και να τραυματίσει εσάς ή κάποιον παρευρισκόμο.
- Να μη χρησιμοποιείτε δύναμη όταν τοποθετείτε την μπαταρία. Αν η μπαταρία δεν ολισθαίνει με ευκολία, δεν την εισήγατε σωστά.

Στοιχείο καυσίμου

Σύνδεση της δοσιμετρικής βαλβίδας στο στοιχείο καυσίμου (Εικ. 5)

Αποσυνδέστε το καπάκι (στην περίπτωση που η δοσιμετρική βαλβίδα παρέχεται με καπάκι). (Εικ. 6) Σπρώξτε προς τα μέσα το μπροστινό άκρο. (Εικ. 7) Σπρώξτε προς τα μέσα το πίσω άκρο έως ότου να καθίσει.

Εισαγωγή του στοιχείου καυσίμου (Εικ. 8)

Σπρώξτε προς τα επάνω και τραβήξτε το κάλυμμα του στοιχείου για να ανοίξει. (Εικ. 9) Εισάγετε το στοιχείο καυσίμου στρέφοντας το ακροφύσιο εκροής της δοσιμετρικής βαλβίδας προς τον προσαρμογέα. (Εικ. 10) Εισάγετε κατάλληλα το ακροφύσιο εκροής μέσα στην μικρή τρύπα του προσαρμογέα. (Εικ. 11) Τοποθετήστε το κάλυμμα του καυσίμου πάνω στην δοσιμετρική βαλβίδα και πιέστε το προς τα κάτω για να κλειδώσει.

Προσαρμογή του βάθους καρφώματος

ΠΡΟΣΟΧΗ:

- Αφαιρέστε το στοιχείο καυσίμου, τη μπαταρία και τα καρφιά πριν την προσαρμογή του βάθους καρφώματος. (Εικ. 12)

Με το εξαγωνικό άλεν, ξεσφίξτε τις δυο βίδες και μετακινήστε το στοιχείο επαφής. Ξανασφίξτε καλά τις βίδες.

Ενδεικτική λυχνία

Το χρώμα της ενδεικτικής λυχνίας δηλώνει τα παρακάτω.

Πράσινο που αναβοσβήνει: Κανονική κατάσταση

Κόκκινο που αναβοσβήνει: Απαιτείται η επαναφόρτιση της μπαταρίας

Ανάβει στο κόκκινο: Επαναφορτίστε τη μπαταρία. Δεν μπορεί να εκτελεστεί το κάρφωμα λόγω έλλειψης χωρητικότητας της μπαταρίας.

Αναβοσβήνει πορτοκαλί: Συνιστάται σχολαστικός καθαρισμός. Ανατρέξτε στην ενότητα “ΣΥΝΤΗΡΗΣΗ” για τον σχολαστικό καθαρισμό του εσωτερικού του εργαλείου. Για να ακυρώσετε το πορτοκαλί αναβοσβήμα της ενδεικτικής λυχνίας, πιέστε το στοιχείο επαφής για πέντε δευτερόλεπτα και στη συνέχεια πιέστε το στοιχείο επαφής πέντε φορές.

Αναβοσβήμα στο πορτοκαλί μετά το αναβοσβήμα με εναλλαγή από το πράσινο στο κόκκινο: Εκτελείται ανίχνευση σφάλματος. Αφαιρέστε και επανατοποθετήστε τη μπαταρία για την επαναφορά. Εάν εκτελεστεί ξανά η ανίχνευση του σφάλματος τότε πρόκειται για μια κατάσταση δυσλειτουργίας. Απευθυνθείτε στο τοπικό σας κέντρο σέρβις της Makita για την επίσκεψη.

Τοποθέτηση του γάντζου (Εικ. 13)

Ο γάντζος χρησιμεύει για το προσωρινό κρέμασμα του εργαλείου. Ο γάντζος μπορεί να τοποθετηθεί σε δυο θέσεις ανάλογα με το πού θα κρεμαστεί το εργαλείο.

Για να αλλάξετε τη θέση του γάντζου, συμπύξτε τον στο άκρο του σπρώχνοντας προς τα μέσα από τις δυο πλευρές και μετακινήστε τον σε μια άλλη θέση.

ΣΥΝΑΡΜΟΛΟΓΗΣΗ

ΠΡΟΣΟΧΗ:

- Να αφαιρείτε πάντοτε το στοιχείο καυσίμου και την μπαταρία.

Φόρτωση του καρφωτικού εργαλείου (Εικ. 14)

Εισάγετε μια λωρίδα από καρφιά μέσα στη σχισμή στο πίσω μέρος του γεμιστήρα. (Εικ. 15)

Τραβήξτε το μοχλό του ωθητή μέχρι το πίσω μέρος του γεμιστήρα και επαναφέρετε τον ομαλά στο άκρο της λωρίδας. (Εικ. 16)

Φορτώστε τα καρφιά έτσι ώστε να είναι παράλληλα στον κινητήριο οδηγό.

Αφαίρεση καρφιών (Εικ. 17)

Τραβήξτε το μοχλό του ωθητή και σπρώξτε το κουμπί του ωθητή για να ελευθερωθεί το στήριγμα των καρφιών, και στη συνέχεια επαναφέρετε το μοχλό του ωθητή στην κορυφή σπρώχνοντας το κουμπί του ωθητή. Σπρώξτε τα καρφιά προς το πίσω μέρος του γεμιστήρα και βγάλετε τα έξω.

ΛΕΙΤΟΥΡΓΙΑ

ΠΡΟΕΙΔΟΠΟΙΗΣΗ:

- **Μην αγγίζετε γύρω από την οπή της εξάτμισης.** Η επιφάνεια θα είναι πάρα πολύ ζεστή κατά τη διάρκεια ή μετά το τέλος της λειτουργίας. Το άγγιγμα γύρω από την οπή της εξάτμισης μπορεί να προκαλέσει εγκαύματα ή τραυματισμούς.

ΠΡΟΣΟΧΗ:

- Βεβαιωθείτε ότι όλα τα συστήματα ασφάλειας βρίσκονται σε καλή κατάσταση πριν από τη λειτουργία. (Εικ. 18)

1. Για να καρφώσετε ένα καρφί, τοποθετήστε το στοιχείο επαφής επάνω στο τεμάχιο εργασίας.

Το μοτέρ του ανεμιστήρα ενεργοποιείται, το αέριο καύσιμο εκχύεται μέσα στο θάλαμο καύσης και αναμειγνύεται με τον αέρα μέσω του ανεμιστήρα. (Εικ. 19)

2. Πιέστε καλά κρατώντας το στοιχείο επαφής και τραβήξτε την σκανδάλη.

Το αέριο καύσιμο αναφλέγεται και καρφώνεται το καρφί.

3. Το επιπρόσθετο κάρφωμα μπορεί να ξεκινήσει μόνο αφότου ελευθερωθούν το στοιχείο επαφής και η σκανδάλη.

Μηχανισμός προστασίας από το κάρφωμα χωρίς καρφιά

Αυτός είναι ο μηχανισμός που αποτρέπει στο εργαλείο να λειτουργήσει χωρίς καρφιά.

Ο μηχανισμός προστασίας από το κάρφωμα χωρίς καρφιά ενεργοποιείται αυτόματα όταν τα εναπομένοντα καρφιά μείνουν στα 4-7 κομμάτια.

Εμπλοκή του καρφωτικού εργαλείου

ΠΡΟΣΟΧΗ:

- Να φροντίζεται πάντοτε να αφαιρείτε το στοιχείο καυσίμου και την μπαταρία πριν από την αποκατάσταση της εμπλοκής.

Όταν το καρφωτικό εργαλείο πάθει εμπλοκή, πραγματοποιήστε τα εξής:

1. Αφαιρέστε το στοιχείο καυσίμου, την μπαταρία και τα καρφιά. (Εικ. 20)
2. Ξεσφίξτε τις (2) βίδες στερέωσης του γεμιστήρα με το εξαγωνικό άλεν. (Εικ. 21)
3. Τραβήξτε τη λαβή/γεμιστήρα μακριά από τη μύτη του εργαλείου και αποκαταστήστε την εμπλοκή.
4. Ευθυγραμμίστε ξανά τη λαβή/γεμιστήρα με τη μύτη και σφίξτε τις βίδες στερέωσης.
5. Φορτώστε ξανά μια λωρίδα από καρφιά.

ΠΡΟΕΙΔΟΠΟΙΗΣΗ:

- **Βεβαιωθείτε ότι οι βίδες στερέωσης του γεμιστήρα είναι σφιχτές και ότι ο γεμιστήρας είναι σφιχτός στη μύτη.** Εάν προσπαθήσετε να λειτουργήσετε το εργαλείο με ένα χαλαρό γεμιστήρα θα προκληθεί απώλεια του ελέγχου του καρφιού, βλάβη στο εργαλείο ή εκπυρσοκρότηση του καρφιού προς τον χρήστη.

ΣΥΝΤΗΡΗΣΗ

ΠΡΟΣΟΧΗ:

- Πάντοτε να αφαιρείτε το στοιχείο καυσίμου, τη μπαταρία και τα καρφιά πριν προσπαθήσετε να εκτελέσετε έλεγχο ή συντήρηση στο εργαλείο.
- Μην χρησιμοποιήσετε ποτέ βενζίνη, βενζόλη, διαλυτικό, αλκοόλη ή κάτι παρόμοιο. Μπορεί να προκληθεί αποχρωματισμός, παραμόρφωση ή ρωγμές.

Συντήρηση μετά από την ημερήσια εργασία

Στο τέλος της ημερήσιας εργασίας εκτελέστε το πρόγραμμα της ημερήσιας συντήρησης. Αυτά τα απλά βήματα βασίζονται στη διατήρηση της ασφάλειας και των επιδόσεων του εργαλείου.

Πριν αποχωρήσετε από το χώρο εργασίας:

- Αφαιρέστε την κασέτα μπαταρίας και αποθηκεύστε την στη θήκη μεταφοράς του εργαλείου. Πάντα να χρησιμοποιείτε την θήκη μεταφοράς του εργαλείου για τη μεταφορά και την αποθήκευση του εργαλείου.
- Πετάζτε όλα τα κενά στοιχεία σε χώρο όπου δεν μπορούν να βρεθούν από τα παιδιά, να συνθλιθούν, να τρυπηθούν ή να καούν.

Όταν επιστρέψετε στο σπίτι:

- Τοποθετήστε την κασέτα μπαταρίας μέσα στο φορτιστή της εάν χρειάζεται φόρτιση όπως υποδεικνύεται από την κόκκινη ενδεικτική λυχνία.
- Σκουπίστε το εργαλείο με ένα καθαρό, μαλακό πανί.
- Ελέγξτε το φίλτρο και καθαρίστε το εάν είναι σκονισμένο.

Καθαρισμός του φίλτρου αέρα (Εικ. 22)

Πίεστε ελαφρά προς τα πάνω το κάλυμμα του φίλτρου και αφαιρέστε το. Και μετά απλά βγάλτε ανασκώνοντας το φίλτρο.

Κτυπήστε ελαφρά το φίλτρο για να αφαιρέσετε την οποιαδήποτε σκόνη. Το πλύσιμο με σαπούνι και νερό επαναφέρει το φίλτρο σε μια σχεδόν καινούργια κατάσταση.

Για να διατηρείται η ΑΣΦΑΛΕΙΑ και η ΑΞΙΟΠΙΣΤΙΑ του προϊόντος, οι εργασίες επισκευής, καθώς και οποιαδήποτε άλλη εργασία συντήρησης ή ρύθμισης, θα πρέπει να εκτελούνται σε εξουσιοδοτημένα κέντρα εξυπηρέτησης της Makita, και πάντοτε με τη χρήση ανταλλακτικών της Makita.

Λεπτομερής καθαρισμός

Εάν συμβαίνουν συχνά εκπυροκοπήσεις χωρίς την έξοδο καρφιών αυτό σημαίνει ότι είναι απαραίτητος ο σχολαστικός καθαρισμός του εργαλείου. Δείτε το συνοδευτικό οδηγό καθαρισμού για λεπτομέρειες και εκτελέστε τον καθαρισμό. Αν έχετε οποιαδήποτε απορία σχετικά με τον καθαρισμό, παρακαλούμε απευθυνθείτε στο τοπικό κέντρο εξυπηρέτησης της Makita.

ΠΡΟΑΙΡΕΤΙΚΑ ΑΞΕΣΟΥΑΡ

⚠️ ΠΡΟΣΟΧΗ:

- Συνιστάται η χρήση αυτών των αξεσουάρ ή εξαρτημάτων με το εργαλείο της Makita, όπως

περιγράφεται στο παρόν εγχειρίδιο. Αν χρησιμοποιήσετε άλλα αξεσουάρ ή εξαρτήματα μπορεί να παρουσιαστεί κίνδυνος για πρόκληση τραυματισμού προσώπων. Να χρησιμοποιείτε τα αξεσουάρ και τα εξαρτήματα μόνο για τον σκοπό για τον οποίο προορίζονται.

Αν χρειάζεστε κάποια βοήθεια ή περισσότερες πληροφορίες σχετικά με τα αξεσουάρ αυτά, απευθυνθείτε στο πλησιέστερο κέντρο εξυπηρέτησης της Makita.

- Καρφιά
- Γυαλιά προστασίας
- Στοιχείο καυσίμου
- Εξοπλισμός καθαρισμού
- Αυθεντική μπαταρία Makita και φορτιστής

ΣΗΜΕΙΩΣΗ:

- Ορισμένα από τα στοιχεία της λίστα μπορεί να περιέχονται στην συσκευασία του εργαλείου ως κανονικά αξεσουάρ. Αυτά ενδέχεται να διαφέρουν από χώρα σε χώρα.

Θόρυβος ENG905-1

Το σύνθετες σταθμισμένο επίπεδο θορύβου που έχει καθοριστεί σύμφωνα με την EN792:

Επίπεδο ηχητικής πίεσης (L_{pA}): 89 dB (A)
Επίπεδο ηχητικής ισχύος (L_{WA}): 102 dB (A)
Αβεβαιότητα (K): 3 dB (A)

Να φοράτε ωτοασπίδες.

Δόνηση ENG904-2

Η συνολική τιμή δόνησης έχει καθοριστεί σύμφωνα με το EN792:

Εκπομπή δόνησης (a_h): 2,5 m/s² ή λιγότερο
Αβεβαιότητα (K): 1,5 m/s²

ENG901-1

- Η δηλωθείσα τιμή των παραγομένων κραδασμών έχει καταμετρηθεί σύμφωνα με την τυποποιημένη μέθοδο δοκιμασίας και μπορεί να χρησιμοποιηθεί για την σύγκριση ενός εργαλείου με ένα άλλο.
- Η δηλωθείσα τιμή των παραγομένων κραδασμών μπορεί επίσης να χρησιμοποιηθεί για μια προκαταρκτική αξιολόγηση της έκθεσης στους κραδασμούς.

⚠️ ΠΡΟΕΙΔΟΠΟΙΗΣΗ:

- Η εκπομπή κραδασμών κατά τη διάρκεια της πραγματικής χρήσης του ηλεκτρικού εργαλείου μπορεί να διαφέρει από τη δηλωθείσα τιμή των εκπομπών, ανάλογα με τον τρόπο με τον οποίο χρησιμοποιείται το εργαλείο.
- Φροντίστε να λάβετε τα μέτρα ασφαλείας που απαιτούνται για την προστασία του χρήστη που βασίζονται σε μια εκτίμηση της έκθεσης σε πραγματικές συνθήκες χρήσης (λαμβάνοντας υπόψη όλα τα μέρη του κύκλου λειτουργίας, όπως είναι οι περιπτώσεις κατά τις οποίες το εργαλείο είναι απενεργοποιημένο και όταν λειτουργεί στο ρελατί επιπροσθέτως του χρόνου κατά τον οποίο το εργαλείο βρίσκεται σε χρήση).

Για Ευρωπαϊκές χώρες μόνο ENH003-14

ΕΚ – Δήλωση συμμόρφωσης

Η Εταιρία Makita ως υπεύθυνος κατασκευαστής, δηλώνει ότι το παρακάτω μηχάνημα ή μηχανήματα της Makita:

Ονομασία Μηχανήματος:

Καρφωτικό εργαλείο μπαταρίας με πρόκα συντετημένης κεφαλής

Αρ. Μοντέλου/ Τύπος: GN900
αποτελούν παραγωγή σε σειρά και
**Συμμορφώνονται με τις ακόλουθες Ευρωπαϊκές
Οδηγίες:**

2006/42/EK

Και κατασκευάζονται σύμφωνα με τα παρακάτω πρότυπα
ή τυποποιημένα έγγραφα:

EN792, EN60745

Τα τεχνικά έγγραφα διατηρούνται από το:

Makita International Europe Ltd.
Technical Department,
Michigan Drive, Tongwell,
Milton Keynes, Bucks MK15 8JD, England

30. 1. 2009



Tomoyasu Kato
Διευθυντής

Makita Corporation
3-11-8, Sumiyoshi-cho,
Anjo, Aichi, 446-8502, JAPAN

Makita Corporation
3-11-8, Sumiyoshi-cho,
Anjo, Aichi 446-8502 Japan