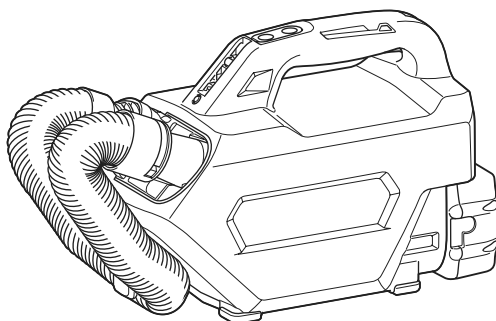




<b>EN</b>	<b>Cordless Cleaner</b>	<b>INSTRUCTION MANUAL</b>	<b>8</b>
<b>FR</b>	<b>Aspirateur sans Fil</b>	<b>MANUEL D'INSTRUCTIONS</b>	<b>15</b>
<b>DE</b>	<b>Akku-Staubsauger</b>	<b>BETRIEBSANLEITUNG</b>	<b>23</b>
<b>IT</b>	<b>Aspiratore a batteria</b>	<b>ISTRUZIONI PER L'USO</b>	<b>32</b>
<b>NL</b>	<b>Accustofzuiger</b>	<b>GEBRUIKSAANWIJZING</b>	<b>40</b>
<b>ES</b>	<b>Aspiradora Inalámbrica</b>	<b>MANUAL DE INSTRUCCIONES</b>	<b>48</b>
<b>PT</b>	<b>Aspirador de pó a bateria</b>	<b>MANUAL DE INSTRUÇÕES</b>	<b>56</b>
<b>DA</b>	<b>Akku støvsuger</b>	<b>BRUGSANVISNING</b>	<b>64</b>
<b>EL</b>	<b>Φορητή σκούπα</b>	<b>ΕΓΧΕΙΡΙΔΙΟ ΟΔΗΓΙΩΝ</b>	<b>72</b>
<b>TR</b>	<b>Akülü Süpürge</b>	<b>KULLANMA KILAVUZU</b>	<b>81</b>

## DCL184



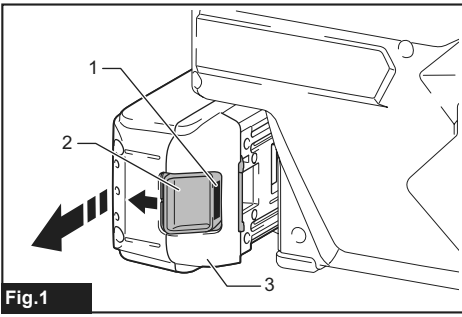


Fig.1

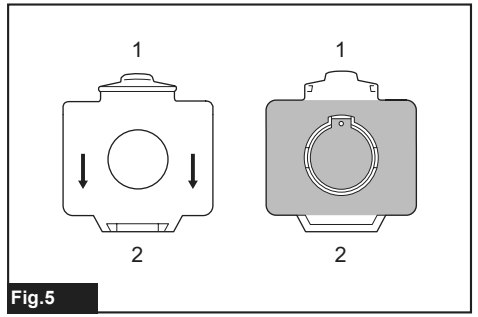


Fig.5

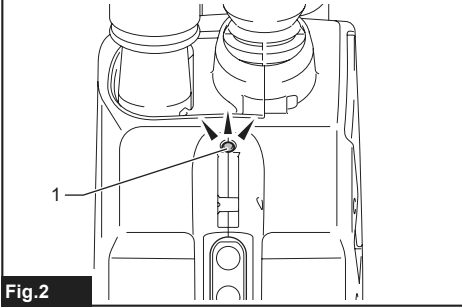


Fig.2

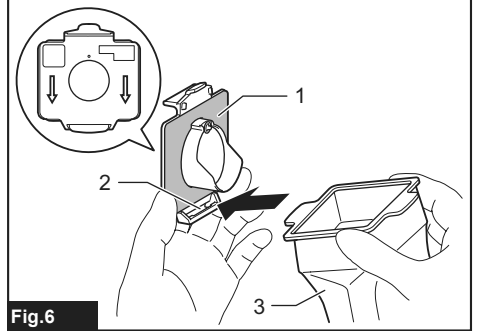


Fig.6

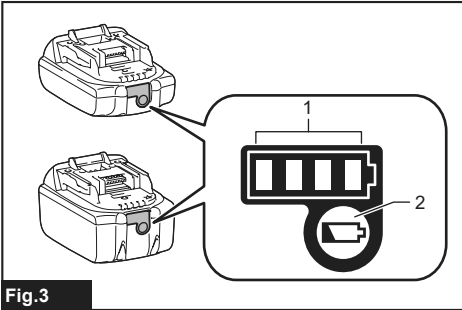


Fig.3

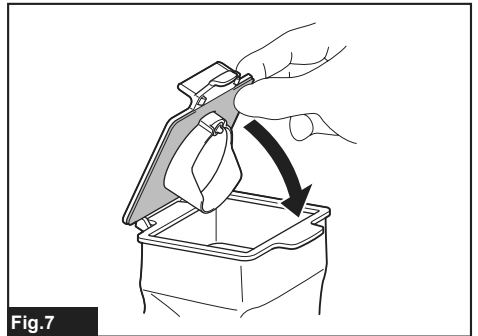


Fig.7

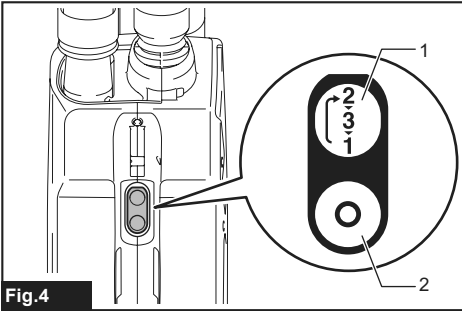


Fig.4

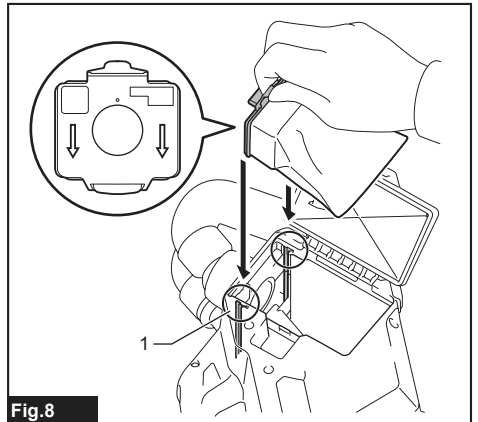


Fig.8

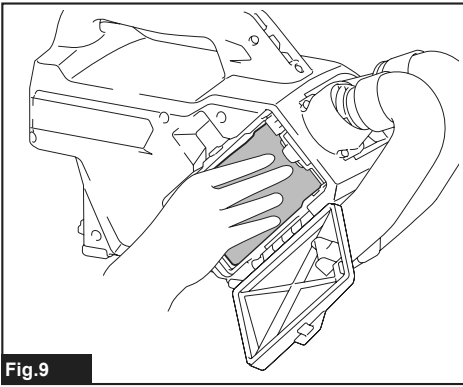


Fig.9

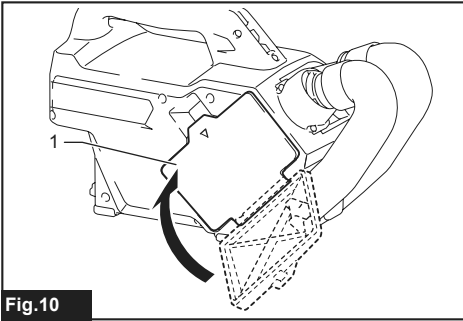


Fig.10

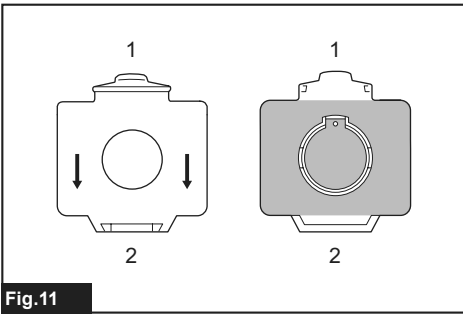


Fig.11

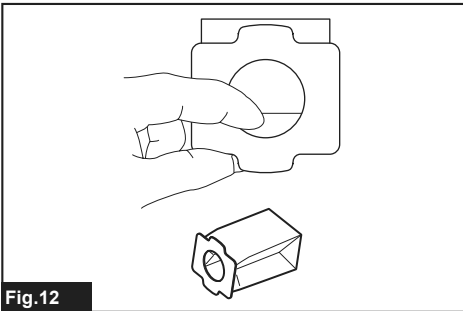


Fig.12

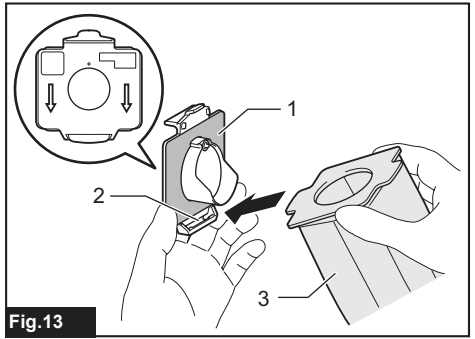


Fig.13

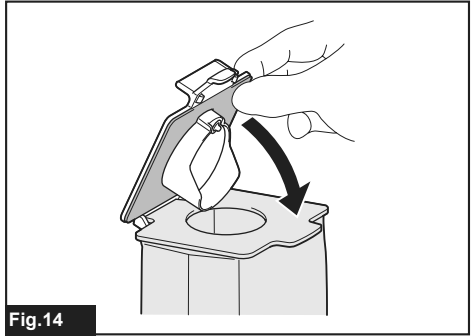


Fig.14

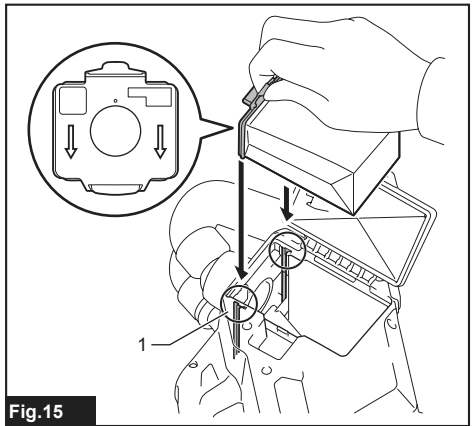


Fig.15

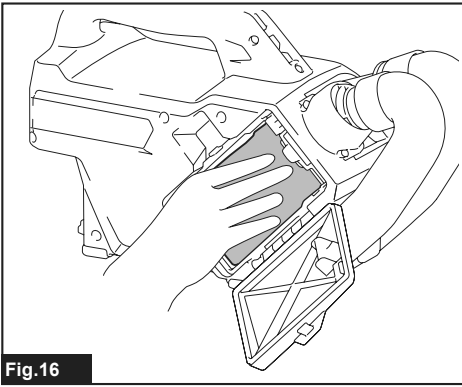


Fig.16

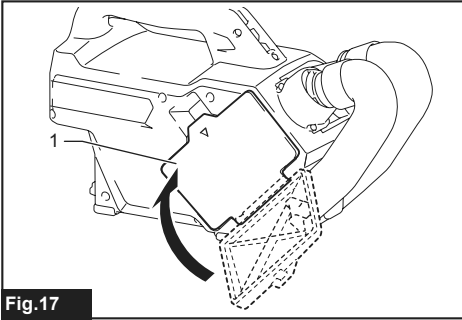


Fig.17

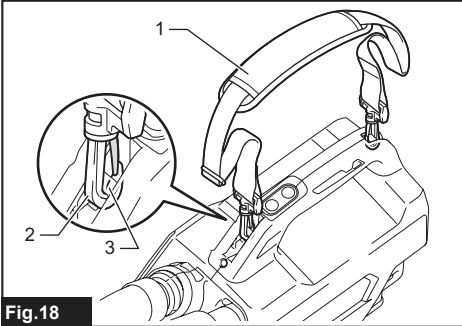


Fig.18

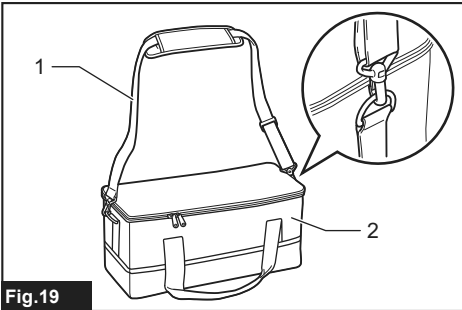


Fig.19

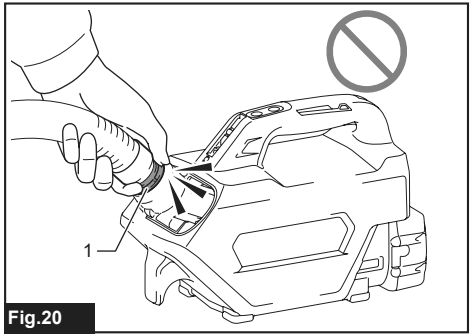


Fig.20

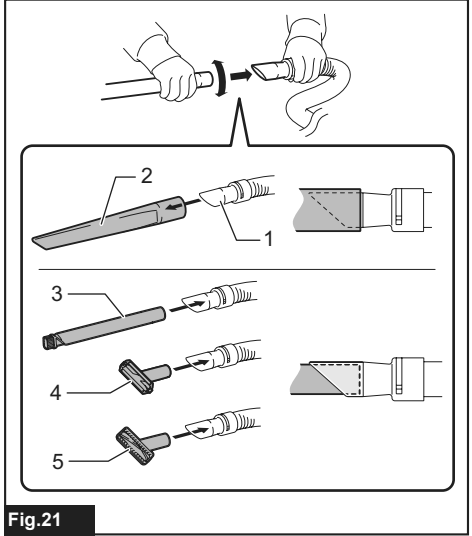


Fig.21

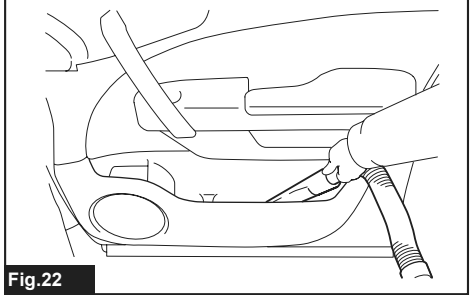
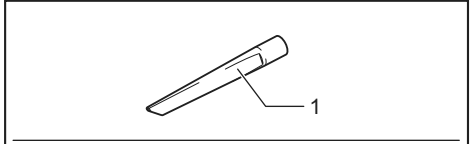


Fig.22

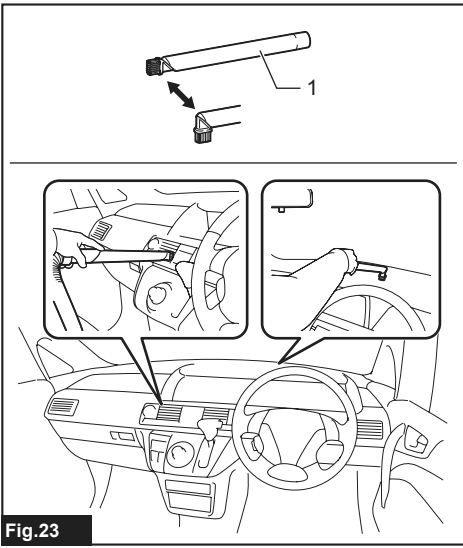


Fig. 23

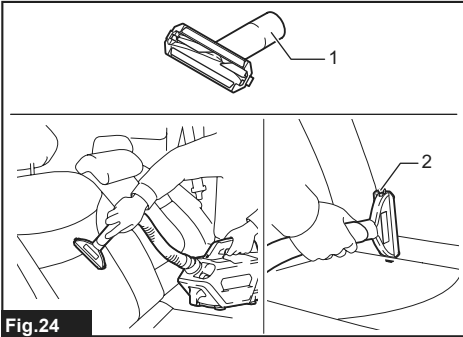


Fig. 24

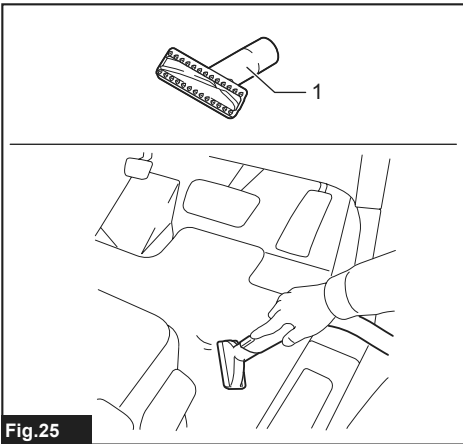


Fig. 25

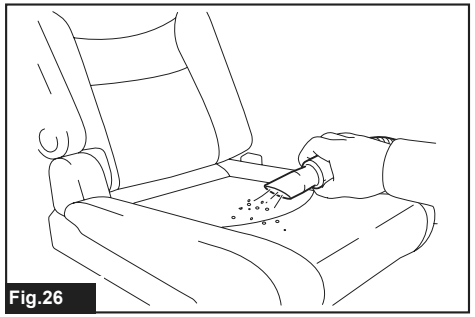


Fig. 26

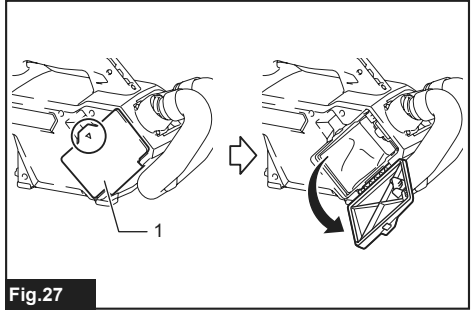


Fig. 27

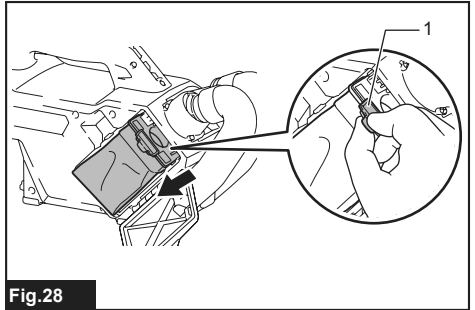


Fig. 28

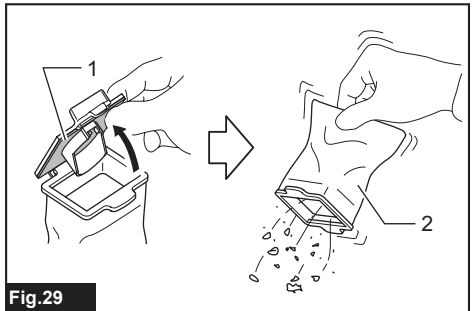
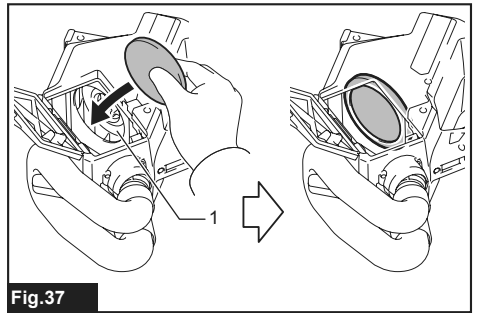
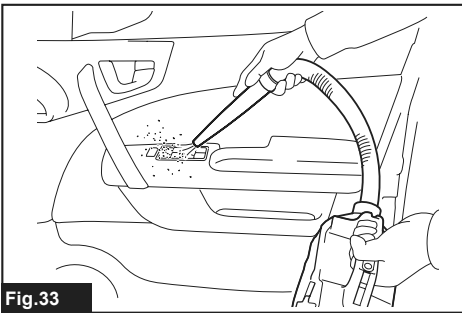
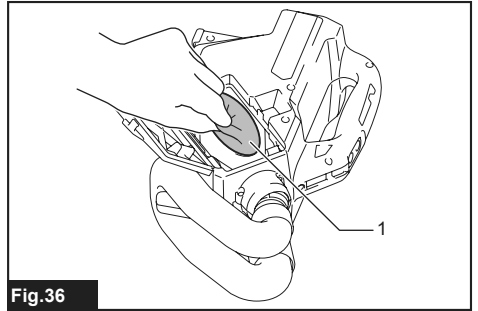
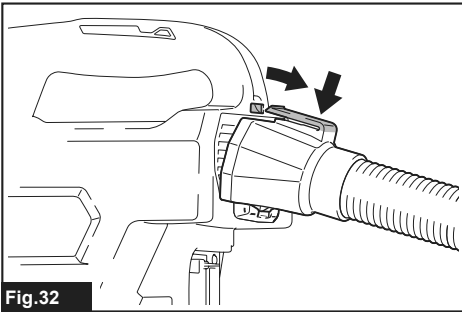
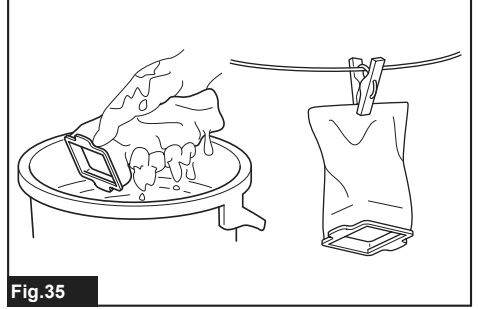
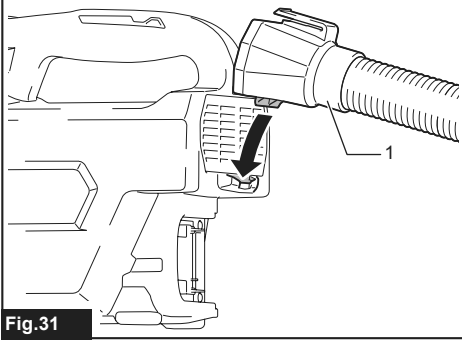
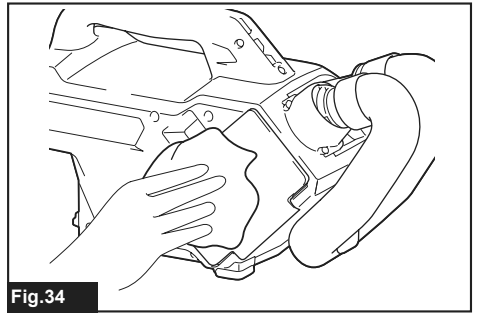
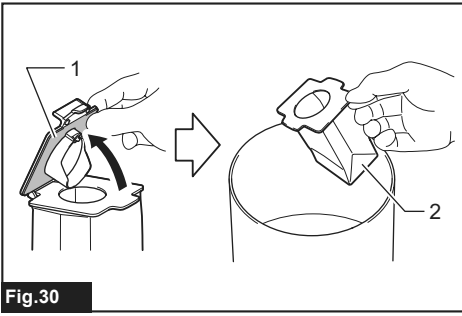
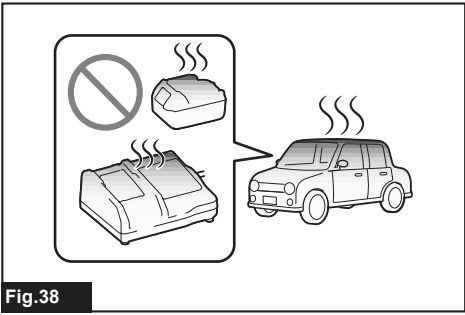
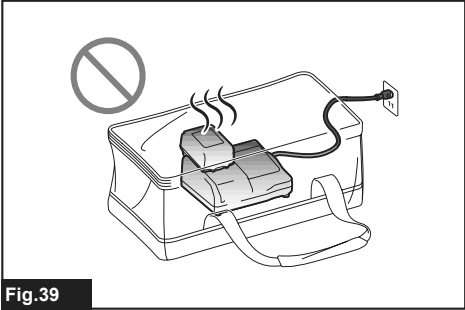


Fig. 29

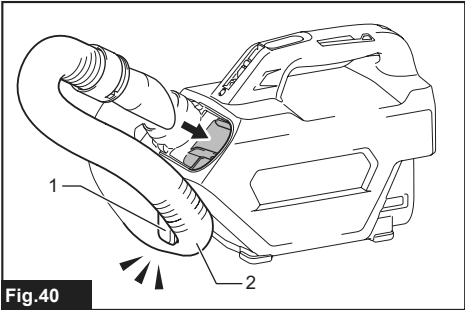




**Fig.38**



**Fig.39**



**Fig.40**

## WARNING

This appliance can be used by children aged from 8 years and above and persons with reduced physical, sensory or mental capabilities or lack of experience and knowledge if they have been given supervision or instruction concerning use of the appliance in a safe way and understand the hazards involved. Children shall not play with the appliance. Cleaning and user maintenance shall not be made by children without supervision.

## SPECIFICATIONS

Model:		DCL184
Capacity	with a dust bag	500 mL
	with a paper filter	330 mL
Continuous use (with battery BL1830B)	1 (Normal speed mode)	Approx. 80 min
	2 (High speed mode)	Approx. 30 min
	3 (Max speed mode)	Approx. 20 min
Overall length (with battery BL1830B)		365 mm
Rated voltage		D.C. 18 V
Net weight		1.8 - 2.2 Kg

- Due to our continuing program of research and development, the specifications herein are subject to change without notice.
- Specifications may differ from country to country.
- The weight does not include accessories but battery cartridge(s). The lightest and heaviest combination weight of the appliance and battery cartridge(s) are shown in the table.

### Applicable battery cartridge and charger

Battery cartridge	BL1815N / BL1820 / BL1820B / BL1830 / BL1830B / BL1840 / BL1840B / BL1850 / BL1850B / BL1860B
Charger	DC18RC / DC18RD / DC18RE / DC18SD / DC18SE / DC18SF / DC18SH

- Some of the battery cartridges and chargers listed above may not be available depending on your region of residence.

**⚠ WARNING: Only use the battery cartridges and chargers listed above.** Use of any other battery cartridges and chargers may cause injury and/or fire.

### Symbols

The followings show the symbols which may be used for the equipment. Be sure that you understand their meaning before use.



Read instruction manual.



Only for EU countries  
Do not dispose of electric equipment or battery pack together with household waste material! In observance of the European Directives, on Waste Electric and Electronic Equipment and Batteries and Accumulators and Waste Batteries and Accumulators and their implementation in accordance with national laws, electric equipment and batteries and battery pack(s) that have reached the end of their life must be collected separately and returned to an environmentally compatible recycling facility.

### Intended use

The tool is intended for collecting dry dust.



# SAFETY WARNINGS

## Cordless cleaner safety warnings

**⚠ WARNING: IMPORTANT! READ CAREFULLY** all safety warnings and all instructions **BEFORE USE**. Failure to follow the warnings and instructions may result in electric shock, fire and/or serious injury.

1. Do not expose to rain. Store indoors.
2. Do not allow to be used as a toy. Close attention is necessary when used by or near children.
3. Use only as described in this manual. Use only manufacturer's recommended attachments.
4. Do not use with damaged battery. If appliance is not working as it should, has been dropped, damaged, left outdoors, or dropped into water, return it to a service center.
5. Do not handle appliance with wet hands.
6. Do not put any object into openings. Do not use with any opening blocked; keep free of dust, lint, hair, and anything that may reduce air flow.
7. Keep hair, loose clothing, fingers, and all parts of body away from openings and moving parts.
8. Turn off all controls before removing the battery.
9. Use extra care when cleaning on stairs.
10. Do not use to pick up flammable or combustible liquids, such as gasoline, or use in areas where they may be present.
11. Use only the charger supplied by the manufacturer to recharge.
12. Do not pick up anything that is burning or smoking, such as cigarettes, matches, or hot ashes.
13. Do not use without dust bag and/or filters in place.
14. Do not charge the battery outdoors.
15. Recharge only with the charger specified by the manufacturer. A charger that is suitable for one type of battery pack may create a risk of fire when used with another battery pack.
16. Use power tools only with specifically designated battery packs. Use of any other battery packs may create a risk of injury and fire.
17. When (the) battery pack is not in use, keep it away from other metal objects, like paper clips, coins, keys, nails, screws or other small metal objects, that can make a connection from one terminal to another.
18. Under abusive conditions, liquid may be ejected from the battery; avoid contact. If contact accidentally occurs, flush with water.
19. Do not use a battery pack or tool that is damaged or modified. Damaged or modified batteries may exhibit unpredictable behaviour resulting in fire, explosion or risk of injury.
20. Do not expose a battery pack or tool to fire or excessive temperature. Exposure to fire or temperature above 130 °C may cause explosion.

21. Follow all charging instructions and do not charge the battery pack or tool outside the temperature range specified in the instructions. Charging improperly or at temperatures outside the specified range may damage the battery and increase the risk of fire.

## SAVE THESE INSTRUCTIONS.

### ADDITIONAL SAFETY RULES

This appliance is intended for household use.

1. Read this instruction manual and the charger instruction manual carefully before use.
2. Do not pick up the following materials:
  - Hot materials such as lit cigarettes or spark/metal dust generated by grinding/cutting metal
  - Flammable materials such as gasoline, thinner, benzene, kerosene or paint
  - Explosive materials like nitroglycerin
  - Ignitable materials such as Aluminum, zinc, magnesium, titanium, phosphorus or celluloid
  - Wet dirt, water, oil or the like
  - Hard pieces with sharp edges, such as wood chips, metals, stones, glasses, nails, pins or razors
  - Powder to clot such as cement or toner
  - Conductive dust such as metal or carbon
  - Fine particle like concrete dustSuch action may cause fire, injury and/or property damage.
3. Stop operation immediately if you notice anything abnormal.
4. If you drop or strike the cleaner, check it carefully for cracks or damage before operation.
5. Do not bring close to stoves or other heat sources.
6. Do not block the intake hole or vent holes.

## SAVE THESE INSTRUCTIONS.

### Important safety instructions for battery cartridge

1. Before using battery cartridge, read all instructions and cautionary markings on (1) battery charger, (2) battery, and (3) product using battery.
2. Do not disassemble or tamper the battery cartridge. It may result in a fire, excessive heat, or explosion.
3. If operating time has become excessively shorter, stop operating immediately. It may result in a risk of overheating, possible burns and even an explosion.
4. If electrolyte gets into your eyes, rinse them out with clear water and seek medical attention right away. It may result in loss of your eyesight.
5. Do not short the battery cartridge:
  - (1) Do not touch the terminals with any conductive material.

- (2) **Avoid storing battery cartridge in a container with other metal objects such as nails, coins, etc.**
- (3) **Do not expose battery cartridge to water or rain.**

A battery short can cause a large current flow, overheating, possible burns and even a breakdown.

6. **Do not store and use the tool and battery cartridge in locations where the temperature may reach or exceed 50 °C (122 °F).**
7. **Do not incinerate the battery cartridge even if it is severely damaged or is completely worn out. The battery cartridge can explode in a fire.**
8. **Do not nail, cut, crush, throw, drop the battery cartridge, or hit against a hard object to the battery cartridge.** Such conduct may result in a fire, excessive heat, or explosion.
9. **Do not use a damaged battery.**
10. **The contained lithium-ion batteries are subject to the Dangerous Goods Legislation requirements.** For commercial transports e.g. by third parties, forwarding agents, special requirement on packaging and labeling must be observed. For preparation of the item being shipped, consulting an expert for hazardous material is required. Please also observe possibly more detailed national regulations. Tape or mask off open contacts and pack up the battery in such a manner that it cannot move around in the packaging.
11. **When disposing of the battery cartridge, remove it from the tool and dispose of it in a safe place. Follow your local regulations relating to disposal of battery.**
12. **Use the batteries only with the products specified by Makita.** Installing the batteries to non-compliant products may result in a fire, excessive heat, explosion, or leak of electrolyte.
13. **If the tool is not used for a long period of time, the battery must be removed from the tool.**
14. **During and after use, the battery cartridge may take on heat which can cause burns or low temperature burns. Pay attention to the handling of hot battery cartridges.**
15. **Do not touch the terminal of the tool immediately after use as it may get hot enough to cause burns.**
16. **Do not allow chips, dust, or soil stuck into the terminals, holes, and grooves of the battery cartridge.** It may result in poor performance or breakdown of the tool or battery cartridge.
17. **Unless the tool supports the use near high-voltage electrical power lines, do not use the battery cartridge near high-voltage electrical power lines.** It may result in a malfunction or breakdown of the tool or battery cartridge.
18. **Keep the battery away from children.**

## SAVE THESE INSTRUCTIONS.

**CAUTION:** Only use genuine Makita batteries. Use of non-genuine Makita batteries, or batteries that have been altered, may result in the battery bursting causing fires, personal injury and damage. It will also void the Makita warranty for the Makita tool and charger.

## Tips for maintaining maximum battery life

1. **Charge the battery cartridge before completely discharged. Always stop tool operation and charge the battery cartridge when you notice less tool power.**
2. **Never recharge a fully charged battery cartridge. Overcharging shortens the battery service life.**
3. **Charge the battery cartridge with room temperature at 10 °C - 40 °C (50 °F - 104 °F). Let a hot battery cartridge cool down before charging it.**
4. **When not using the battery cartridge, remove it from the tool or the charger.**
5. **Charge the battery cartridge if you do not use it for a long period (more than six months).**

## FUNCTIONAL DESCRIPTION

**CAUTION:** Always be sure that the tool is switched off and the battery cartridge is removed before adjusting or checking function on the tool.

**CAUTION:** Take care not to trap finger(s) between cleaner and battery when loading battery. Trapping finger(s) may cause injury.

## Installing or removing battery cartridge

**CAUTION:** Always switch off the tool before installing or removing of the battery cartridge.

**CAUTION:** Hold the tool and the battery cartridge firmly when installing or removing battery cartridge. Failure to hold the tool and the battery cartridge firmly may cause them to slip off your hands and result in damage to the tool and battery cartridge and a personal injury.

► Fig.1: 1. Red indicator 2. Button 3. Battery cartridge

To remove the battery cartridge, slide it from the tool while sliding the button on the front of the cartridge.

To install the battery cartridge, align the tongue on the battery cartridge with the groove in the housing and slip it into place. Insert it all the way until it locks in place with a little click. If you can see the red indicator on the upper side of the button, it is not locked completely.

**CAUTION:** Always install the battery cartridge fully until the red indicator cannot be seen. If not, it may accidentally fall out of the tool, causing injury to you or someone around you.

**CAUTION:** Do not install the battery cartridge forcibly. If the cartridge does not slide in easily, it is not being inserted correctly.

## Tool / battery protection system

The tool is equipped with a tool/battery protection system. This system automatically cuts off power to the motor to extend tool and battery life.

The tool will automatically stop during operation if the tool or battery are placed under one of the following conditions. In some conditions, the indication lamp lights up.

► **Fig.2:** 1. Indication lamp

## Overload protection

When the tool is operated in a manner that causes it to draw an abnormally high current, the tool stops automatically and the indicator lights up for about 60 seconds. In this situation, turn the tool off and stop the application that caused the tool to become overloaded. Then turn the tool on to restart.

## Overheat protection

When the tool/battery is overheated, the tool stops automatically and the battery indicator lights up for about 60 seconds. The tool does not start even if you turn the tool on. In this situation, let the battery cool before turning the tool on again.

## Overdischarge protection

When the remaining battery capacity gets low, the indicator blinks. By further use, the tool stops and the indicator lights up for about 60 seconds. If you turn the tool on, the motor runs again but stops soon. In this situation, charge the battery cartridge.

**NOTE:** The timing, at which the lamp lights up, depends on the temperature at work place and the battery cartridge conditions.

## Indicating the remaining battery capacity

*Only for battery cartridges with the indicator*

► **Fig.3:** 1. Indicator lamps 2. Check button

Press the check button on the battery cartridge to indicate the remaining battery capacity. The indicator lamps light up for a few seconds.

Indicator lamps			Remaining capacity
Lighted	Off	Blinking	
■	□	▬	75% to 100%
■ ■ ■ ■			
■ ■ ■	□		50% to 75%
■ ■	□ □		25% to 50%
■	□ □ □		0% to 25%
▬	□ □ □ □		Charge the battery.
■ ■	□ □		The battery may have malfunctioned.
□ □	■ ■	↑ ↓	

**NOTE:** Depending on the conditions of use and the ambient temperature, the indication may differ slightly from the actual capacity.

## Switch action

► **Fig.4:** 1. ON/speed change button 2. OFF button

To start the cleaner, simply push the ON/speed change button. To switch off, push the OFF button.

You can change the cleaner speed in three steps by pushing the ON/speed change button.

The first push on this button is for high speed mode, the second push for max speed mode and the third push for normal speed mode. Each push on this button repeats the high/max/normal speed cycle alternatively.

## ASSEMBLY

**CAUTION:** Always be sure that the tool is switched off and the battery cartridge is removed before carrying out any work on the tool.

## Dust bag and paper filter

Install either dust bag or paper filter before using cleaner.

Use the dust stopper when installing either dust bag or paper filter.

Dust bag are usable many times repeatedly by cleaning it out.

Paper filter is a throw-away type. Throw away the entire paper filter without emptying when it has become full.

**NOTICE:** To prevent dust from getting into the motor:

- Make sure that the dust bag or paper filter is installed before use.
- Insert the dust stopper together with the dust bag or paper filter all the way into the slots when installing them.
- Do not use a broken or ripped bag.

Otherwise the motor may be broken.

**NOTICE:** Do not fold the cardboard at its opening when installing the paper filter.

**NOTICE:** Never throw away the dust stopper because it needs to be used repeatedly whenever either the dust bag or the paper filter is used.

**NOTICE:** The paper filter for the cleaner is an important component for maintaining the tool performance. Using other than the genuine paper filter may cause smokes or ignition.

## Installing dust bag

Use the dust stopper when installing dust bag. Be careful not to take the upper side for the lower side by mistake because they are different each other.

► **Fig.5:** 1. Upper side of the dust stopper 2. Lower side of the dust stopper

1. Insert the protrusion of the dust bag into the groove on the dust stopper as shown in the figure.

The dust bag does not have distinction between the upper and lower sides. You can insert its protrusion of either side into the groove of the dust stopper.

► **Fig.6:** 1. Dust stopper 2. Groove 3. Dust bag

2. Overlap the frame of dust stopper with that of the dust bag.

► **Fig.7**

3. Place the dust stopper and the dust bag together into the cleaner cavity in the same direction of arrow on the dust stopper. Insert them all the way into the slots in the cleaner cavity.

► **Fig.8:** 1. Slot

4. Place the entire cloth part of the dust bag inside the cleaner itself.

► **Fig.9**

5. Close the dust case cover completely.

► **Fig.10:** 1. Dust case cover

**NOTE:** When the dust bag is not installed in the cleaner, the dust case cover does not close completely.

## Installing the paper filter

Use the dust stopper also when installing paper filter. Be careful not to take the upper side for the lower side by mistake because they are different each other.

► **Fig.11:** 1. Upper side of the dust stopper 2. Lower side of the dust stopper

1. Unfold the entrance of the paper filter before setting it on the dust stopper.

► **Fig.12**

2. Insert the protrusion of the paper filter into the groove on the dust stopper as shown in the figure.

The paper filter does not have distinction between the upper and lower sides. You can insert its protrusion of either side into the groove of the dust stopper.

► **Fig.13:** 1. Dust stopper 2. Groove 3. Paper filter

3. Overlap the frame of dust stopper with that of the paper filter.

► **Fig.14**

4. Place the dust stopper and the paper filter together into the cleaner cavity in the same direction of arrow on the dust stopper. Insert them all the way into the slots in the cleaner cavity.

► **Fig.15:** 1. Slot

5. Place the entire container part of the paper filter inside the tool itself.

► **Fig.16**

6. Close the dust case cover completely.

► **Fig.17:** 1. Dust case cover

**NOTE:** When the paper filter is not installed in the cleaner, the dust case cover does not close completely.

## Installing the shoulder strap

**CAUTION:** Be careful not to get the shoulder strap caught by objects in your surroundings.

**CAUTION:** Be careful not to slip the shoulder strap off from your shoulder when using the cleaner. For stable handling of the cleaner, it is recommended to wear the shoulder strap crossed in front of your chest.

Attach the hooks of the shoulder strap onto the mounts of the cleaner as shown in the figure.

► **Fig.18:** 1. Shoulder strap 2. Hook 3. Mount

**NOTE:** You can also attach the shoulder strap to the soft bag (optional accessory) as illustrated.

► **Fig.19:** 1. Shoulder strap 2. Soft bag

## OPERATION

**CAUTION:** Always hold the handle when carrying the cleaner. If you hold the attachment part to carry, it may come off from the cleaner and result in personal injury.

**CAUTION:** Do not use the appliance while driving a car or the engine is running.

**CAUTION:** Do not grasp the hose joint as shown in the figure. Holding the hose joint may get your finger pinched.

► **Fig.20:** 1. Hose joint

## Using as a vacuum cleaner

**NOTE:** Remove the blower attachment before vacuum cleaning. If the blower attachment is attached to the cleaner, the suction power will be reduced.

## Installing or removing the cleaner attachment

To connect an attachment such as a nozzle, twist and insert it securely to the hose. To disconnect, twist and remove it.

The way of installation varies depending on the nozzles as illustrated.

► **Fig.21:** 1. Hose 2. Rubber nozzle 3. Soft brush  
4. Seat nozzle 5. Mat nozzle

## Vacuum cleaning

### Rubber nozzle

This nozzle is convenient for cleaning bottom corners such as a door pocket. The rubber nozzle is gentle to the cleaning surface.

► **Fig.22:** 1. Rubber nozzle

## Soft brush

This nozzle is convenient for cleaning the air conditioner vents, dashboard, etc. The head of the soft brush can be turned to right angle.

► **Fig.23:** 1. Soft brush

## Seat nozzle

This nozzle has lint brush to clean the seat surface. The side brush on the nozzle is useful for raking dust out of the seams.

► **Fig.24:** 1. Seat nozzle 2. Side brush

## Mat nozzle

This nozzle is used for cleaning the floor mat and carpet. The teeth on the nozzle help raking out sand grains.

► **Fig.25:** 1. Mat nozzle

**NOTICE:** Always use the mat nozzle for cleaning a mat. Using the mat nozzle for other materials may scratch its surface.

## Cleaning without nozzle

You can perform vacuum cleaning without the nozzle.

► **Fig.26**

## Disposing of dust

**CAUTION:** Empty the dust bag or replace the paper filter before it becomes full. If not, the suction/blowing force weakens.

**CAUTION:** When closing the dust case cover, be careful not to pinch your fingers.

**NOTICE:** Never throw away the dust stopper because it should be used whenever either the dust bag or the paper filter is used.

**NOTICE:** When the dust bag/paper filter is not inside of the cleaner, the dust case cover does not close completely. Do not force to close the dust case cover. It may result in deforming or breakage of the tool.

**NOTICE:** When disposing of dust, also clean the room for the dust bag/paper filter. The remaining dust and dirt in the room may cause the sponge filter to be clogged or the motor to be damaged.

1. Open the dust case cover.

► **Fig.27:** 1. Dust case cover

2. Pull out both the orange-colored dust stopper and dust bag/paper filter together at the same time.

► **Fig.28:** 1. Dust stopper

3. **When using the dust bag**

Remove the dust stopper and empty the dust bag.

► **Fig.29:** 1. Dust stopper 2. Dust bag

**When using the paper filter**

Remove the dust stopper and dispose of the paper filter.

► **Fig.30:** 1. Dust stopper 2. Paper filter

4. Place the dust bag/new paper filter and dust stopper together into the cleaner and close the dust case cover.

## Using as a blower

**CAUTION:** Never point the nozzle at anyone in the vicinity.

**CAUTION:** To prevent inhaling dust, it is recommended to open the windows, and also wear protective goggles and mask while operating.

**CAUTION:** Do not pull the blower attachment. It may come off from the cleaner.

**CAUTION:** Do not use the cleaner for blowing air into objects, like rubber rafting, balls or other inflatable products. Increased motor revolution may cause dangerous fan breakage.

**CAUTION:** Never block suction inlet and/or blower outlet. Be careful not to block suction inlet or blower outlet with dust or dirt when operating in dusty area.

**CAUTION:** Do not use nozzles other than the nozzles provided by Makita.

## Installing or removing the blower attachment

To attach the blower attachment, align the protrusion of the blower attachment port with the groove on the vent, and then push it until clicks.

► **Fig.31:** 1. Blower attachment

To remove the blower attachment, pull the port downward while pressing its top as illustrated.

► **Fig.32**

## Blowing

Point the tip of blower attachment to the object to blow off and then turn on the tool.

► **Fig.33**

## MAINTENANCE

**CAUTION:** Always be sure that the tool is switched off and the battery cartridge is removed before attempting to perform inspection or maintenance.

**NOTICE:** Never use gasoline, benzine, thinner, alcohol or the like. Discoloration, deformation or cracks may result.

To maintain product SAFETY and RELIABILITY, repairs, any other maintenance or adjustment should be performed by Makita Authorized or Factory Service Centers, always using Makita replacement parts.

## Cleaning

From time to time wipe off the outside (cleaner body) of the cleaner using a cloth dampened in soapy water. Clean out also the suction opening, dust bag/paper filter mounting area and the dust stopper.

► Fig.34

Wash the dust bag in soapy water when it is clogged with dust and the cleaner power becomes weak. Dry it out thoroughly before use. An insufficiently dried filter may cause poor suction and shorten the service life of the motor.

► Fig.35

**NOTE:** Paper filter is a throw-away type.

When the sponge filter is clogged with dust, remove it from the cleaner and then wipe it off or wash in water.

## Removing and installing the sponge filter

**CAUTION:** After cleaning sponge filter, be sure to install it on the cleaner. If washed in water, dry it up before installing. An insufficiently dried sponge filter may shorten the service life of the motor.

To remove the sponge filter, remove the dust bag or paper filter and then pinch and take it out.

► Fig.36: 1. Sponge filter

Press in the whole edge of the sponge filter against the recessed wall inside the dust bag/paper filter mounting area.

► Fig.37: 1. Recessed wall

## Storage

**WARNING:** Never leave the battery cartridge and charger in a car. The temperature inside a car sitting in the sun may exceed 50 °C (122 °F). It may cause the battery cartridge deteriorated and result in liquid ejection, smoke emission or a fire.

► Fig.38

**WARNING:** Never use the charger while storing it in the storage bag. Blocking the air vent may result in smoking emission or a fire.

► Fig.39

**WARNING:** Never charge the battery cartridge with on-vehicle inverter. It may cause abnormal heat and result in a fire.

**WARNING:** Never charge the battery cartridge in a car. If the battery cartridge is exposed to the temperature range out of 10°C (50 °F) - 40°C (104 °F), it may generate heat and/or fire or explode.

**CAUTION:** Always store the hose as illustrated to avoid tripping, when the cleaner is not used. Unfolded hose may catch your foot and cause personal injury.

► Fig.40: 1. Hook 2. Hose

## Troubleshooting

Before asking for repairs, check the following points.

Symptom	Area to be investigated	Fixing method
Weak suction power	Is dust bag or paper filter full of dust ?	Empty dust bag or paper filter.
	Is dust bag clogged ?	Dust down or wash the dust bag.
	Is paper filter clogged ?	Replace paper filter.
	Is the battery cartridge exhausted ?	Charge the battery cartridge.
Not working	Is the battery cartridge exhausted ?	Charge the battery cartridge.
Dust case cover does not close	Is dust bag or paper filter set ?	Set dust bag or paper filter.

**NOTICE:** Do not attempt to repair cleaner by yourself.

## OPTIONAL ACCESSORIES

**CAUTION:** These accessories or attachments are recommended for use with your Makita tool specified in this manual. The use of any other accessories or attachments might present a risk of injury to persons. Only use accessory or attachment for its stated purpose.

If you need any assistance for more details regarding these accessories, ask your local Makita Service Center.

- Extension wand (Straight pipe)
- Nozzle
- Nozzle for carpet
- Shelf brush
- Corner nozzle

- Round brush
- Flexible hose
- Paper filter
- Free nozzle
- Seat nozzle
- Crevice nozzle
- Cyclone attachment
- Dust bag
- High performance dust bag
- Soft bag
- Makita genuine battery and charger

**NOTE:** Some items in the list may be included in the tool package as standard accessories. They may differ from country to country.

## AVERTISSEMENT

Cet appareil peut être utilisé par des enfants de 8 ans et plus, ainsi que par des personnes présentant des capacités physiques, sensorielles ou mentales réduites, ou par des personnes dénuées d'expérience et de connaissances s'ils ont pu faire l'objet d'une surveillance ou recevoir des instructions préalables concernant l'utilisation en toute sécurité de l'appareil et s'ils comprennent les risques associés. Ne laissez pas les enfants jouer avec l'appareil. Le nettoyage et l'entretien à la charge de l'utilisateur ne doivent pas être réalisés par des enfants sans surveillance.

## SPÉCIFICATIONS

Modèle :		DCL184
Capacité	avec un sac à poussière	500 ml
	avec un filtre papier	330 ml
Utilisation continue (avec batterie BL1830B)	1 (Mode vitesse normale)	Environ 80 minutes
	2 (Mode grande vitesse)	Environ 30 minutes
	3 (Mode vitesse maximum)	Environ 20 minutes
Longueur totale (avec batterie BL1830B)		365 mm
Tension nominale		18 V CC
Poids net		1,8 - 2,2 kg

- Étant donné l'évolution constante de notre programme de recherche et de développement, les spécifications contenues dans ce manuel sont sujettes à modification sans préavis.
- Les spécifications peuvent varier suivant les pays.
- Le poids ne comprend pas les accessoires, mais la ou les batteries. Le poids combiné le plus léger et le plus lourd de l'appareil et de la ou des batteries est indiqué dans le tableau.

### Batterie et chargeur applicables

Batterie	BL1815N / BL1820 / BL1820B / BL1830 / BL1830B / BL1840 / BL1840B / BL1850 / BL1850B / BL1860B
Chargeur	DC18RC / DC18RD / DC18RE / DC18SD / DC18SE / DC18SF / DC18SH

- Certains chargeurs et batteries répertoriés ci-dessus peuvent ne pas être disponibles selon la région où vous résidez.

**⚠ AVERTISSEMENT : N'utilisez que les batteries et les chargeurs répertoriés ci-dessus.** L'utilisation d'autres batteries et chargeurs peut provoquer des blessures et/ou un incendie.

### Symboles

Vous trouverez ci-dessous les symboles susceptibles d'être utilisés pour l'appareil. Veuillez à comprendre leur signification avant toute utilisation.



Lire le mode d'emploi.



Uniquement pour les pays européens  
Ne jetez pas les appareils électriques ou les batteries avec vos ordures ménagères ! Conformément aux directives européennes relatives aux déchets d'équipements électriques et électroniques et aux piles et accumulateurs ainsi qu'aux déchets de piles et d'accumulateurs et leur mise en œuvre conformément aux lois nationales, les équipements électriques et les piles et batteries en fin de vie doivent faire l'objet d'une collecte sélective et être confiés à une usine de recyclage respectueuse de l'environnement.

## Utilisations

L'outil est conçu pour la collecte des poussières sèches.

## CONSIGNES DE SÉCURITÉ

### Consignes de sécurité pour aspirateur sans fil

**⚠️ AVERTISSEMENT : IMPORTANT !** LIRE ATTENTIVEMENT toutes les consignes de sécurité et toutes les instructions AVANT UTILISATION. Le non-respect des avertissements et des instructions peut entraîner une électrocution, un incendie et/ou de graves blessures.

1. Ne pas exposer à la pluie. Ranger à l'intérieur.
2. Ne pas laisser utiliser comme jouet. Une surveillance étroite est requise lors de l'utilisation par un enfant ou près d'un enfant.
3. Utiliser uniquement de la façon décrite dans ce manuel. Utiliser uniquement les accessoires recommandés par le fabricant.
4. Ne pas utiliser avec une batterie endommagée. Si l'appareil ne fonctionne pas comme il devrait, s'il est tombé, s'il a été endommagé, laissé à l'extérieur ou s'il est tombé dans l'eau, le renvoyer à un centre de service après-vente.
5. Ne pas manipuler l'appareil avec les mains mouillées.
6. N'insérer aucun objet dans les ouvertures. Ne pas utiliser si l'une des ouvertures est bloquée ; toujours enlever les poussières, peluches, cheveux et autres corps étrangers pouvant affecter la circulation de l'air.
7. Garder les cheveux, vêtements amples, doigts et toute autre partie du corps à l'écart des ouvertures et des pièces en mouvement.
8. Désactiver toutes les commandes avant de retirer la batterie.
9. Redoubler de prudence lorsque l'on passe l'aspirateur dans un escalier.
10. Ne pas utiliser pour collecter des liquides inflammables ou combustibles tels que l'essence, ou dans des zones où de tels liquides peuvent être présents.
11. Pour charger la batterie, utiliser uniquement le chargeur fourni par le fabricant.
12. Ne collecter aucune substance enflammée ou qui dégage de la fumée, telles que cigarettes, allumettes ou cendres chaudes.
13. Ne pas utiliser sans avoir posé le sac à poussière et/ou les filtres.
14. Ne pas charger la batterie à l'extérieur.
15. Recharger la batterie uniquement avec le chargeur spécifié par le fabricant. Un chargeur prévu pour un type de batterie peut être à l'origine d'un incendie s'il est utilisé avec une autre batterie.
16. Utiliser l'outil électrique uniquement avec la batterie spécifiquement indiquée. L'utilisation de toute autre batterie peut présenter un risque de blessure et d'incendie.

17. Lorsque la batterie n'est pas utilisée, la tenir à l'écart des objets métalliques, comme des trombones, pièces de monnaie, clés, clous, vis ou autres petits objets métalliques, susceptibles de créer une connexion entre deux bornes.
18. Dans des conditions d'utilisation inadéquate, il peut y avoir une fuite de l'électrolyte de la batterie. Le cas échéant, éviter tout contact avec ce liquide. En cas de contact accidentel, rincer à l'eau.
19. N'utilisez pas une batterie ou un outil s'ils sont endommagés ou modifiés. Une batterie endommagée ou modifiée peut avoir un comportement imprévisible susceptible d'entraîner un incendie, une explosion ou des blessures.
20. N'exposez pas la batterie ou l'outil au feu ou à une température excessive. L'exposition au feu ou à une température supérieure à 130 °C peut provoquer une explosion.
21. Respectez toutes les instructions de charge et ne chargez pas la batterie ou l'outil en dehors de la plage de température indiquée dans les instructions. Une charge incorrecte ou à une température en dehors de la plage indiquée peut endommager la batterie et augmenter le risque d'incendie.

## CONSERVEZ CES INSTRUCTIONS.

### CONSIGNES DE SÉCURITÉ ADDITIONNELLES

Cet appareil est conçu pour l'utilisation à l'intérieur.

1. Lire attentivement ce manuel d'instructions et celui du chargeur avant l'utilisation.
2. Ne pas collecter les matériaux suivants :
  - Matériaux chauds tels que cigarettes allumées, étincelles ou poussières de métal générées par le meulage ou la coupe du métal
  - Matériaux inflammables tels que l'essence, les diluants, la benzine, le kérosène et la peinture
  - Matériaux explosifs tels que la nitroglycérine
  - Matériaux inflammables tels que l'aluminium, le zinc, le magnésium, le titane, le phosphore ou le celluloid
  - Saletés mouillées, eau, huile, etc.
  - Pièces dures à bords tranchants, telles que copeaux de bois, pièces de métal, pierres, verres, clous, broches ou lames de rasoir
  - Poudres agglomérantes telles que ciment en poudre ou encre en poudre
  - Poussière conductrice telle que poussière de métal ou de carbone
  - Particules fines telles que la poussière de bétonLa collecte de tels matériaux peut entraîner un incendie, des dommages corporels et/ou matériels.
3. Cesser immédiatement l'utilisation en cas d'anomalie.



4. Si l'aspirateur tombe ou est heurté, vérifiez attentivement l'absence de fissures ou de dommages avant l'utilisation.
5. Ne pas approcher des fourneaux ou autres sources de chaleur.
6. Ne pas bloquer les orifices d'entrée ou de sortie d'air.

## CONSERVEZ CES INSTRUCTIONS.

### Consignes de sécurité importantes pour la batterie

1. Avant d'utiliser la batterie, lisez toutes les instructions et précautions relatives (1) au chargeur de batterie, (2) à la batterie, et (3) au produit utilisant la batterie.
2. Ne désassemblez pas et ne modifiez pas la batterie. Cela pourrait entraîner un incendie, une chaleur excessive ou une explosion.
3. Cessez immédiatement l'utilisation si le temps de fonctionnement devient excessivement court. Il y a risque de surchauffe, de brûlures, voire d'explosion.
4. Si l'électrolyte pénètre dans vos yeux, rincez-les à l'eau claire et consultez immédiatement un médecin. Il y a risque de perte de la vue.
5. Ne court-circuitez pas la batterie :
  - (1) Ne touchez les bornes avec aucun matériau conducteur.
  - (2) Évitez de ranger la batterie dans un conteneur avec d'autres objets métalliques, par exemple des clous, des pièces de monnaie, etc.
  - (3) N'exposez pas la batterie à l'eau ou à la pluie.

Un court-circuit de la batterie peut provoquer une intensité de courant élevée, une surchauffe, parfois des brûlures et même une panne.

6. Ne rangez ni n'utilisez l'outil et la batterie dans un endroit où la température risque d'atteindre ou de dépasser 50 °C.
7. Ne jetez pas la batterie au feu même si elle est sérieusement endommagée ou complètement épuisée. La batterie peut exploser au contact du feu.
8. Abstenez-vous de clouer, couper, écraser, jeter, laisser tomber la batterie, ou de la heurter contre un objet dur. Cela pourrait entraîner un incendie, une chaleur excessive ou une explosion.
9. N'utilisez pas la batterie si elle est endommagée.
10. Les batteries au lithium-ion contenues sont soumises aux exigences de la législation sur les marchandises dangereuses. Lors du transport commercial par des tierces parties ou des transitaires par exemple, des exigences spécifiques en matière d'étiquetage et d'emballage doivent être respectées. Pour la préparation de l'article expédié, il est nécessaire de consulter un expert en matériau dangereux. Veuillez également respecter les réglementations nationales susceptibles d'être plus détaillées.

Recouvrez les contacts exposés avec du ruban adhésif ou du ruban de masquage et emballez la batterie de telle sorte qu'elle ne puisse pas bouger dans l'emballage.

11. Lors de la mise au rebut de la batterie, retirez-la de l'outil et jetez-la en lieu sûr. Suivez les réglementations locales en matière de mise au rebut des batteries.
12. Utilisez les batteries uniquement avec les produits spécifiés par Makita. L'insertion de batteries dans des produits non conformes peut provoquer un incendie, une chaleur excessive, une explosion ou une fuite de l'électrolyte.
13. Lorsque vous n'utilisez pas l'outil pendant une période prolongée, la batterie doit être retirée de l'outil.
14. Pendant et après l'utilisation, la batterie peut chauffer, ce qui peut entraîner des brûlures, y compris en cas de température relativement basse. Manipulez les batteries chaudes avec précaution.
15. Ne touchez pas la borne de l'outil immédiatement après utilisation car elle peut être assez chaude pour provoquer des brûlures.
16. Évitez que des copeaux, de la poussière ou du sol adhèrent aux bornes, aux trous et aux rainures de la batterie. Cela pourrait réduire les performances ou casser l'outil ou la batterie.
17. À moins que l'outil prenne en charge un tel usage, n'utilisez pas la batterie à proximité de lignes électriques haute tension. Cela pourrait entraîner un dysfonctionnement ou casser l'outil ou la batterie.
18. Conservez la batterie hors de portée des enfants.

## CONSERVEZ CES INSTRUCTIONS.

**⚠ ATTENTION** : N'utilisez que des batteries Makita d'origine. L'utilisation de batteries de marque autre que Makita ou de batteries modifiées peut provoquer l'explosion des batteries, ce qui présente un risque d'incendie, de dommages matériels et corporels. Cela annulera également la garantie Makita pour l'outil et le chargeur Makita.

## Conseils pour assurer la durée de vie optimale de la batterie

1. Chargez la batterie avant qu'elle ne soit complètement déchargée. Arrêtez toujours l'outil et rechargez la batterie quand vous remarquez que la puissance de l'outil diminue.
2. Ne rechargez jamais une batterie complètement chargée. La surcharge réduit la durée de service de la batterie.
3. Chargez la batterie à une température ambiante comprise entre 10 °C et 40 °C. Avant de charger une batterie chaude, laissez-la refroidir.
4. Lorsque vous n'utilisez pas la batterie, retirez-la de l'outil ou du chargeur.
5. Rechargez la batterie si elle est restée inutilisée pendant une période prolongée (plus de six mois).

## DESCRIPTION DU FONCTIONNEMENT

**⚠ ATTENTION :** Assurez-vous toujours que l'outil est hors tension et que sa batterie est retirée avant de l'ajuster ou de vérifier son fonctionnement.

**⚠ ATTENTION :** Lors de la mise en place de la batterie, prenez garde de ne pas vous coincer les doigts entre l'aspirateur et la batterie. Il y a un risque de blessure si vous vous coincez les doigts.

### Insertion ou retrait de la batterie

**⚠ ATTENTION :** Éteignez toujours l'outil avant de mettre en place ou de retirer la batterie.

**⚠ ATTENTION :** Tenez fermement l'outil et la batterie lors de la mise en place ou du retrait de la batterie. Si vous ne tenez pas fermement l'outil et la batterie, ils peuvent vous glisser des mains, et s'abîmer ou vous blesser.

► Fig.1: 1. Voyant rouge 2. Bouton 3. Batterie

Pour retirer la batterie, faites-la glisser hors de l'outil tout en faisant glisser le bouton à l'avant de la batterie.

Pour mettre en place la batterie, alignez la languette sur la batterie avec la rainure sur le compartiment et insérez-la. Insérez-la à fond jusqu'à ce qu'un léger dé clic se fasse entendre. Si le voyant rouge sur le dessus du bouton est visible, cela signifie qu'elle n'est pas bien verrouillée.

**⚠ ATTENTION :** Insérez toujours complètement la batterie jusqu'à ce que le voyant rouge ne soit plus visible. Sinon, elle pourrait tomber accidentellement de l'outil, au risque de vous blesser ou de blesser quelqu'un se trouvant près de vous.

**⚠ ATTENTION :** N'insérez pas la batterie de force. Si elle ne glisse pas facilement, c'est que vous ne l'insérez pas correctement.

### Système de protection de l'outil/la batterie

L'outil est équipé d'un système de protection de l'outil/la batterie. Ce système coupe automatiquement l'alimentation vers le moteur pour prolonger la durée de vie de l'outil et de la batterie.

L'outil s'arrête automatiquement alors qu'il fonctionne si l'outil ou la batterie se trouvent dans l'un des états suivants. Dans certaines situations, le témoin de contrôle s'allume.

► Fig.2: 1. Témoin de contrôle

### Protection contre la surcharge

Lorsque le mode d'utilisation de l'outil entraîne un appel de courant anormalement élevé, l'outil s'arrête automatiquement et le témoin s'allume pendant 60 secondes environ. Dans cette situation, éteignez l'outil et arrêtez la tâche ayant provoqué la surcharge de l'outil. Puis rallumez l'outil pour reprendre la tâche.

### Protection contre la surchauffe

En cas de surchauffe de l'outil/la batterie, l'outil s'arrête automatiquement, et le témoin de la batterie s'allume pendant 60 secondes environ. L'outil ne démarre pas même si vous le mettez sous tension. Dans ce cas, laissez la batterie refroidir avant de rallumer l'outil.

### Protection contre la décharge totale de la batterie

Lorsque la charge restante de la batterie diminue, le témoin clignote. Si vous continuez à utiliser l'outil, il s'arrête et le témoin s'allume pendant 60 secondes environ. Si vous mettez l'outil sous tension, le moteur redémarre, mais s'arrête rapidement. Dans ce cas, rechargez la batterie.

**NOTE :** Le moment où le témoin se met à s'allumer dépend de la température sur le lieu de travail et de l'état de la batterie.

### Indication de la charge restante de la batterie

*Uniquement pour les batteries avec voyant lumineux*

► Fig.3: 1. Témoins 2. Bouton de vérification

Appuyez sur le bouton de vérification sur la batterie pour indiquer la charge restante de la batterie. Les témoins s'allument pendant quelques secondes.

Témoins			Charge restante
Allumé	Éteint	Clignotant	
■	□	◐	75 % à 100 %
■	■	□	50 % à 75 %
■	■	□	25 % à 50 %
■	□	□	0 % à 25 %
◐	□	□	Chargez la batterie.
■	■	□	Anomalie possible de la batterie.
□	□	■	

**NOTE :** Selon les conditions d'utilisation et la température ambiante, l'indication peut être légèrement différente de la capacité réelle.

### Fonctionnement de la gâchette

► Fig.4: 1. Bouton Marche/Changement de vitesse 2. Bouton Arrêt

Pour démarrer l'aspirateur, il suffit d'appuyer sur le bouton Marche/Changement de vitesse. Pour l'éteindre, appuyez sur le bouton Arrêt. Vous pouvez modifier la vitesse de l'aspirateur selon trois niveaux en appuyant sur le bouton Marche/Changement de vitesse.

La première pression sur ce bouton enclenche le mode grande vitesse, la deuxième pression, le mode vitesse maximum et la troisième, la vitesse normale. À chaque pression sur ce bouton, le cycle alterne entre grande vitesse/vitesse maximum/vitesse normale.

# ASSEMBLAGE

**⚠ ATTENTION : Assurez-vous toujours que l'outil est hors tension et que sa batterie est retirée avant d'effectuer toute tâche dessus.**

## Sac à poussière et filtre papier

Installez le sac à poussière ou le filtre papier avant d'utiliser l'aspirateur.

Utilisez l'écran anti-poussière si vous installez le sac à poussière ou le filtre papier.

Les sacs à poussière sont réutilisables si vous les nettoyez correctement.

Le filtre papier est de type jetable. Jetez l'ensemble du filtre papier sans le vider une fois qu'il est plein.

**REMARQUE : Pour éviter que la poussière pénètre dans le moteur :**

- **Assurez-vous que le sac à poussière ou le filtre papier est installé avant utilisation.**
- **Insérez l'écran anti-poussière avec le sac à poussière ou le filtre papier à fond dans les fentes lorsque vous les installez.**
- **N'utilisez pas un sac rompu ou déchiré.**

Cela risquerait d'endommager le moteur.

**REMARQUE : Ne pliez pas l'ouverture en carton du filtre papier lorsque vous l'installez.**

**REMARQUE : Ne jetez jamais l'écran anti-poussière, car il doit être utilisé à plusieurs reprises en association avec le sac à poussière ou le filtre papier.**

**REMARQUE : Le filtre papier pour aspirateur est un élément important du maintien des performances de l'outil. L'utilisation d'un autre filtre que le filtre papier d'origine peut provoquer un dégagement de fumée ou une combustion.**

## Installation du sac à poussière

Utilisez l'écran anti-poussière si vous installez le sac à poussière. Prenez soin de ne pas confondre le côté supérieur avec le côté inférieur, car ils sont différents l'un de l'autre.

- **Fig.5:** 1. Côté supérieur de l'écran anti-poussière  
2. Côté inférieur de l'écran anti-poussière

1. Insérez la partie saillante du sac à poussière dans la rainure sur l'écran anti-poussière comme illustré sur la figure.

Le sac à poussière ne présente pas de distinction entre les parties supérieure et inférieure. Vous pouvez insérer la partie saillante de n'importe quel côté dans la rainure de l'écran anti-poussière.

- **Fig.6:** 1. Écran anti-poussière 2. Rainure 3. Sac à poussière

2. Superposez le cadre de l'écran anti-poussière sur celui du sac à poussière.

- **Fig.7**

3. Placez l'écran anti-poussière et le sac à poussière ensemble dans la cavité de l'aspirateur dans le même sens que la flèche sur l'écran anti-poussière. Insérez-les à fond dans les fentes de la cavité de l'aspirateur.

- **Fig.8:** 1. Fente

4. Placez toute la partie en tissu du sac à poussière à l'intérieur de l'aspirateur lui-même.

- **Fig.9**

5. Refermez complètement le couvercle du logement à poussières.

- **Fig.10:** 1. Couvercle du logement à poussières

**NOTE : Si le sac à poussière n'est pas installé dans l'aspirateur, le couvercle du logement à poussières ne se ferme pas complètement.**

## Installation du filtre papier

Utilisez aussi l'écran anti-poussière si vous installez le filtre papier. Prenez soin de ne pas confondre le côté supérieur avec le côté inférieur, car ils sont différents l'un de l'autre.

- **Fig.11:** 1. Côté supérieur de l'écran anti-poussière  
2. Côté inférieur de l'écran anti-poussière

1. Dépliez l'entrée du filtre papier avant de le placer sur l'écran anti-poussière.

- **Fig.12**

2. Insérez la partie saillante du filtre papier dans la rainure sur l'écran anti-poussière comme illustré sur la figure.

Le filtre papier ne présente pas de distinction entre les parties supérieure et inférieure. Vous pouvez insérer la partie saillante de n'importe quel côté dans la rainure de l'écran anti-poussière.

- **Fig.13:** 1. Écran anti-poussière 2. Rainure 3. Filtre papier

3. Superposez le cadre de l'écran anti-poussière sur celui du filtre papier.

- **Fig.14**

4. Placez l'écran anti-poussière et le filtre papier ensemble dans la cavité de l'aspirateur dans le même sens que la flèche sur l'écran anti-poussière. Insérez-les à fond dans les fentes de la cavité de l'aspirateur.

- **Fig.15:** 1. Fente

5. Placez toute la partie contenant du filtre papier à l'intérieur de l'outil lui-même.

- **Fig.16**

6. Refermez complètement le couvercle du logement à poussières.

- **Fig.17:** 1. Couvercle du logement à poussières

**NOTE : Si le filtre papier n'est pas installé dans l'aspirateur, le couvercle du logement à poussières ne se ferme pas complètement.**

## Mise en place de la bandoulière

**⚠ ATTENTION :** Prenez soin que la bandoulière ne se coince pas dans les objets environnants.

**⚠ ATTENTION :** Prenez soin de ne pas faire glisser la bandoulière de votre épaule lorsque vous utilisez l'aspirateur. Pour une manipulation stable de l'aspirateur, nous vous recommandons de porter la bandoulière croisée devant votre poitrine.

Fixez les crochets de la bandoulière sur les montures de l'aspirateur comme illustré sur la figure.

► Fig.18: 1. Bandoulière 2. Crochet 3. Monture

**NOTE :** Vous pouvez également fixer la bandoulière sur le sac mou (accessoire en option) comme illustré.

► Fig.19: 1. Bandoulière 2. Sac mou

## UTILISATION

**⚠ ATTENTION :** Tenez toujours la poignée lorsque vous transportez l'aspirateur. Si vous tenez la pièce d'un accessoire pour le transporter, celle-ci peut se détacher de l'aspirateur et vous blesser.

**⚠ ATTENTION :** N'utilisez pas l'appareil en conduisant ou pendant que le moteur tourne.

**⚠ ATTENTION :** Ne saisissez pas le joint de tuyau comme illustré sur la figure. En tenant le joint de tuyau, vous risquez de vous pincer le doigt.

► Fig.20: 1. Joint de tuyau

## Utilisation en tant qu'aspirateur

**NOTE :** Retirez la pièce du souffleur avant d'aspirer. Si la pièce du souffleur est fixée à l'aspirateur, la puissance d'aspiration sera réduite.

## Pose ou dépose d'un accessoire de l'aspirateur

Pour connecter un accessoire comme un suceur, insérez-le sur le tuyau en tournant fermement. Pour le déconnecter, retirez-le en tournant. La méthode d'installation dépend des suceurs comme illustré.

► Fig.21: 1. Tuyau 2. Suceur en caoutchouc  
3. Brosse souple 4. Suceur pour siège  
5. Suceur pour tapis

## Passer l'aspirateur

### Suceur en caoutchouc

Ce suceur est pratique pour nettoyer les coins inférieurs comme les logements de porte. Le suceur en caoutchouc n'abîme pas la surface de nettoyage.

► Fig.22: 1. Suceur en caoutchouc

### Brosse souple

Ce suceur est pratique pour nettoyer les grilles de climatisateur, les tableaux de bord, etc. La tête de la brosse souple peut être tournée en angle droit.

► Fig.23: 1. Brosse souple

### Suceur pour siège

Ce suceur est pourvu d'une brosse anti-peluche pour nettoyer les sièges. La brosse latérale sur le suceur est utile pour enlever la poussière des coutures.

► Fig.24: 1. Suceur pour siège 2. Brosse latérale

### Suceur pour tapis

Ce suceur sert à nettoyer les tapis de sol ou la moquette. Les dents sur le suceur permettent d'enlever les grains de sable.

► Fig.25: 1. Suceur pour tapis

**REMARQUE :** Utilisez toujours le suceur pour tapis pour nettoyer un tapis. Si vous utilisez le suceur pour tapis avec d'autres matériaux, vous risquez de rayer leur surface.

### Nettoyage sans suceur

Vous pouvez passer l'aspirateur sans suceur.

► Fig.26

## Mise au rebut des poussières

**⚠ ATTENTION :** Videz le sac à poussière ou remplacez le filtre papier avant qu'il ne soit plein. Sinon, la force d'aspiration/soufflage faiblit.

**⚠ ATTENTION :** Lorsque vous refermez le couvercle du logement à poussières, prenez soin de ne pas vous coincer les doigts.

**REMARQUE :** Ne jetez jamais l'écran anti-poussière, car il doit toujours être utilisé en association avec le sac à poussière ou le filtre papier.

**REMARQUE :** Si le sac à poussière/filtre papier n'est pas à l'intérieur de l'aspirateur, le couvercle du logement à poussières ne se ferme pas complètement. Ne forcez pas pour fermer le couvercle du logement à poussières. Cela pourrait déformer ou casser l'outil.

**REMARQUE :** Lorsque vous jetez la poussière, nettoyez également la chambre pour sac à poussière/filtre papier. La poussière et la saleté restant dans la chambre risquent de boucher le filtre éponge ou d'endommager le moteur.

1. Ouvrez le couvercle du logement à poussières.

► Fig.27: 1. Couvercle du logement à poussières

2. Retirez simultanément l'écran anti-poussière orange et le sac à poussière/filtre papier.

► Fig.28: 1. Écran anti-poussière

3. Lors de l'utilisation du sac à poussière

Retirez l'écran anti-poussière et videz le sac à poussière.

► Fig.29: 1. Écran anti-poussière 2. Sac à poussière

Lors de l'utilisation du filtre papier

Retirez l'écran anti-poussière et jetez le filtre papier.

► Fig.30: 1. Écran anti-poussière 2. Filtre papier

4. Placez le sac à poussière/le filtre papier neuf et l'écran anti-poussière ensemble dans l'aspirateur et fermez le couvercle du logement à poussières.

## Utilisation en tant que souffleur

**⚠ATTENTION** : Ne pointez jamais le suceur en direction d'une personne à proximité.

**⚠ATTENTION** : Pour empêcher l'inhalation des poussières, il est recommandé d'ouvrir les fenêtres et de porter des lunettes de protection et un masque pendant le fonctionnement.

**⚠ATTENTION** : Ne tirez pas sur la pièce du souffleur. Elle risque de se détacher de l'aspirateur.

**⚠ATTENTION** : N'utilisez pas l'aspirateur pour souffler de l'air dans des objets, comme des bateaux pneumatiques, des ballons ou d'autres produits gonflables. Si la révolution moteur augmente, le ventilateur risque de se casser dangereusement.

**⚠ATTENTION** : Ne bloquez jamais l'entrée d'aspiration et/ou la sortie du souffleur. Prenez garde de ne pas bloquer l'entrée d'aspiration ou la sortie du souffleur avec de la poussière ou de la saleté lorsque vous travaillez dans une zone poussiéreuse.

**⚠ATTENTION** : N'utilisez pas de suceurs autres que ceux fournis par Makita.

## Pose ou dépose de la pièce du souffleur

Pour fixer la pièce du souffleur, alignez la partie saillante de son orifice avec la rainure sur la sortie d'air, puis poussez-la jusqu'au dé clic.

► Fig.31: 1. Pièce du souffleur

Pour retirer la pièce du souffleur, tirez l'orifice vers le bas tout en appuyant sur sa partie supérieure comme illustré.

► Fig.32

## Souffler de l'air

Dirigez la pointe de la pièce du souffleur vers l'objet à souffler et mettez l'outil sous tension.

► Fig.33

## ENTRETIEN

**⚠ATTENTION** : Assurez-vous toujours que l'outil est hors tension et que la batterie est retirée avant d'y effectuer tout travail d'inspection ou d'entretien.

**REMARQUE** : N'utilisez jamais d'essence, benzine, diluant, alcool ou autre produit similaire. Cela risquerait de provoquer la décoloration, la déformation ou la fissuration de l'outil.

Pour assurer la SÉCURITÉ et la FIABILITÉ du produit, toute réparation, tout travail d'entretien ou de réglage doivent être effectués par un centre d'entretien Makita agréé, avec des pièces de rechange Makita.

## Nettoyage

Essuyez de temps à autre la surface extérieure (le corps) de l'aspirateur avec un chiffon humecté d'eau savonneuse.

Nettoyez également l'ouverture d'aspiration, la zone de montage du sac à poussière/filtre papier et l'écran anti-poussière.

► Fig.34

Lorsque le sac à poussière est bouché par la poussière et que la puissance de l'aspirateur s'en trouve affaiblie, lavez-le dans de l'eau savonneuse. Laissez-le sécher complètement avant l'utilisation. Si le filtre n'est pas assez sec, la capacité d'aspiration sera affectée et la durée de vie du moteur réduite.

► Fig.35

**NOTE** : Le filtre papier est de type jetable.

Si le filtre éponge est obstrué par la poussière, retirez-le de l'aspirateur, puis essuyez-le ou lavez-le dans l'eau.

## Retrait et installation du filtre éponge

**⚠ATTENTION** : Après avoir nettoyé le filtre éponge, veillez à l'installer sur l'aspirateur. Si vous l'avez lavé à l'eau, faites-le sécher avant de l'installer. Si le filtre éponge n'est pas assez sec, la durée de vie du moteur peut en être réduite.

Pour retirer le filtre éponge, retirez le sac à poussière ou le filtre papier, puis sortez-le en pinçant.

► Fig.36: 1. Filtre éponge

Enfoncez le bord complet du filtre éponge contre la paroi encastrée à l'intérieur de la zone de montage du sac à poussière/filtre papier.

► Fig.37: 1. Paroi encastrée

## Rangement

**⚠AVERTISSEMENT** : Ne laissez jamais la batterie et le chargeur dans une voiture. La température à l'intérieur d'une voiture en plein soleil peut dépasser 50 °C. Cela peut détériorer la batterie et provoquer une fuite de liquide, un dégagement de fumée ou un incendie.

► Fig.38

**⚠AVERTISSEMENT** : N'utilisez jamais le chargeur alors qu'il est rangé dans le sac de rangement. L'obstruction de la sortie d'air peut déclencher un dégagement de fumée ou un incendie.

► Fig.39

**⚠AVERTISSEMENT** : Ne chargez jamais la batterie avec un onduleur dans un véhicule. Cela pourrait provoquer une chaleur anormale et déclencher un incendie.

**⚠AVERTISSEMENT** : Ne chargez jamais la batterie dans une voiture. Si la batterie est exposée à une plage de température en dehors de 10 °C - 40 °C, elle peut générer de la chaleur et/ou un incendie ou exploser.

**⚠ATTENTION** : Rangez toujours le tuyau comme illustré pour éviter de trébucher lorsque l'aspirateur n'est pas utilisé. Le tuyau déroulé peut attraper votre pied et vous blesser.

► Fig.40: 1. Crochet 2. Tuyau

## Guide de dépannage

Avant de solliciter une réparation, vérifiez les points suivants.

Symptôme	Point à vérifier	Méthode de réparation
Faible puissance d'aspiration	Le sac à poussière ou le filtre papier est-il plein de poussière ?	Videz le sac à poussière ou le filtre papier.
	Le sac à poussière est-il bouché ?	Faites tomber la poussière ou lavez le sac à poussière.
	Le filtre papier est-il bouché ?	Remplacez le filtre papier.
	La batterie est-elle épuisée ?	Chargez la batterie.
Ne fonctionne pas	La batterie est-elle épuisée ?	Chargez la batterie.
Le couvercle du logement à poussières ne ferme pas.	Le sac à poussière ou le filtre papier est-il en place ?	Placez le sac à poussière ou le filtre papier.

**REMARQUE** : N'essayez pas de réparer vous-même l'aspirateur.

## ACCESSOIRES EN OPTION

**⚠ ATTENTION** : Ces accessoires ou pièces complémentaires sont recommandés pour l'utilisation avec l'outil Makita spécifié dans ce mode d'emploi. L'utilisation de tout autre accessoire ou pièce complémentaire peut comporter un risque de blessure. N'utilisez les accessoires ou pièces complémentaires qu'aux fins auxquelles ils ont été conçus.

Pour obtenir plus de détails sur ces accessoires, contactez votre centre d'entretien local Makita.

- Tube prolongateur (tuyau droit)
- Suceur
- Suceur pour tapis
- Brosse pour étagères
- Suceur plat
- Brosse ronde
- Tuyau flexible
- Filtre papier
- Raccord libre
- Suceur pour siège
- Suceur pour interstice
- Collecteur cyclone
- Sac à poussière
- Sac à poussière haute performance
- Sac mou
- Batterie et chargeur Makita d'origine

**NOTE** : Il se peut que certains éléments de la liste soient compris dans l'emballage de l'outil en tant qu'accessoires standard. Ils peuvent varier d'un pays à l'autre.

## WARNUNG

Dieses Gerät kann von Kindern ab 8 Jahren und Personen mit verminderten körperlichen, sensorischen oder geistigen Fähigkeiten oder Mangel an Erfahrung und Kenntnissen benutzt werden, sofern sie eine Beaufsichtigung oder Anweisung bezüglich des sicheren Gebrauchs des Gerätes erhalten haben und die damit verbundenen Gefahren verstehen. Kinder dürfen nicht mit dem Gerät spielen. Reinigung und Benutzerwartung dürfen nicht von Kindern ohne Beaufsichtigung durchgeführt werden.

## TECHNISCHE DATEN

Modell:		DCL184
Kapazität	mit Staubsack	500 mL
	mit Papierfilter	330 mL
Dauerbetrieb (mit Akku BL1830B)	1 (Normaldrehzahlmodus)	Ca. 80 min
	2 (Hochdrehzahlmodus)	Ca. 30 min
	3 (Maximaldrehzahlmodus)	Ca. 20 min
Gesamtlänge (mit Akku BL1830B)		365 mm
Nennspannung		18 V Gleichstrom
Nettogewicht		1,8 - 2,2 kg

- Wir behalten uns vor, Änderungen der technischen Daten im Zuge der Entwicklung und des technischen Fortschritts ohne vorherige Ankündigung vorzunehmen.
- Die technischen Daten können von Land zu Land unterschiedlich sein.
- Das Gewicht schließt keine Zubehörteile, aber Akkus ein. Das niedrigste und höchste Kombinationsgewicht des Gerätes und der Akkus sind in der Tabelle angegeben.

### Zutreffende Akkus und Ladegeräte

Akku	BL1815N / BL1820 / BL1820B / BL1830 / BL1830B / BL1840 / BL1840B / BL1850 / BL1850B / BL1860B
Ladegerät	DC18RC / DC18RD / DC18RE / DC18SD / DC18SE / DC18SF / DC18SH

- Einige der oben aufgelisteten Akkus und Ladegeräte sind je nach Ihrem Wohngebiet eventuell nicht erhältlich.

**⚠️ WARNUNG:** Verwenden Sie nur die oben aufgeführten Akkus und Ladegeräte. Bei Verwendung irgendwelcher anderer Akkus und Ladegeräte besteht Verletzungs- und/oder Brandgefahr.

### Symbole

Nachfolgend werden Symbole beschrieben, die für das Gerät verwendet werden können. Machen Sie sich unbedingt vor der Benutzung mit ihrer Bedeutung vertraut.



Betriebsanleitung lesen.



Nur für EG-Länder  
Entsorgen Sie Elektrogeräte oder Akkus nicht zusammen mit dem Hausmüll! Unter Einhaltung der Europäischen Richtlinie über Elektro- und Elektronik-Altgeräte, Batterien, Akkus sowie verbrauchte Batterien und Akkus und ihre Umsetzung gemäß den Landesgesetzen müssen Elektrogeräte und Batterien bzw. Akkus, die das Ende ihrer Lebensdauer erreicht haben, getrennt gesammelt und einer umweltgerechten Recycling-Einrichtung zugeführt werden.

## Vorgesehene Verwendung

Das Werkzeug ist für das Absaugen von Trockenstaub vorgesehen.

## SICHERHEITSWARNUNGEN

### Sicherheitswarnungen für Akku-Staubsauger

**⚠️ WARNUNG: WICHTIG!** Alle Sicherheitswarnungen und Anweisungen **VOR GEBRAUCH AUFMERKSAM LESEN**. Eine Missachtung der Warnungen und Anweisungen kann zu einem elektrischen Schlag, Brand und/oder schweren Verletzungen führen.

1. Das Gerät keinem Regen aussetzen. In Innenräumen aufbewahren.
2. Das Gerät darf nicht als Spielzeug benutzt werden. Wenn das Gerät von Kindern oder in deren Nähe benutzt wird, ist besondere Vorsicht geboten.
3. Nur gemäß der Beschreibung in dieser Anleitung benutzen. Nur vom Hersteller empfohlene Zusatzvorrichtungen verwenden.
4. Nicht mit beschädigtem Akku benutzen. Falls das Gerät nicht ordnungsgemäß funktioniert, fallen gelassen, beschädigt, im Freien liegen gelassen wurde oder ins Wasser gefallen ist, bringen Sie es zu einem Kundenzentrum.
5. Fassen Sie das Gerät nicht mit nassen Händen an.
6. Stecken Sie keine Gegenstände in die Öffnungen. Benutzen Sie das Gerät nicht mit einer blockierten Öffnung; halten Sie es frei von Staub, Fusseln, Haaren und Fremdkörpern, die den Luftstrom behindern können.
7. Halten Sie Haare, lose Kleidung, Finger und alle Körperteile von den Öffnungen und beweglichen Teilen fern.
8. Schalten Sie sämtliche Bedienelemente aus, bevor Sie den Akku abnehmen.
9. Lassen Sie bei der Reinigung von Treppen besondere Vorsicht walten.
10. Verwenden Sie das Gerät nicht zum Aufsaugen von brennbaren oder feuergefährlichen Flüssigkeiten, wie z. B. Benzin, und benutzen Sie es auch nicht in der Nähe solcher Flüssigkeiten.
11. Verwenden Sie nur das vom Hersteller gelieferte Ladegerät zum Aufladen.
12. Saugen Sie keine brennenden oder rauchenden Gegenstände auf, wie z. B. Zigaretten, Streichhölzer oder heiße Asche.
13. Benutzen Sie das Gerät nicht ohne angebrachten Staubsack und/oder Filter.
14. Laden Sie den Akku nicht im Freien.
15. Laden Sie den Akku nur mit dem vom Hersteller vorgeschriebenen Ladegerät. Ein Ladegerät, das für einen Akkutyp geeignet ist, kann bei Verwendung mit einem anderen Akku eine Brandgefahr darstellen.

16. Benutzen Sie Elektrowerkzeuge nur mit den ausdrücklich vorgeschriebenen Akkus. Bei Verwendung irgendwelcher anderer Akkus besteht Verletzungs- und Brandgefahr.
17. Bewahren Sie den Akku bei Nichtgebrauch nicht zusammen mit Metallgegenständen, wie Büroklammern, Münzen, Schlüsseln, Nägeln, Schrauben, und anderen kleinen Metallteilen auf, welche die Kontakte kurzschließen können.
18. Bei Missbrauch kann Flüssigkeit aus dem Akku austreten. Vermeiden Sie Kontakt mit dieser Flüssigkeit. Falls Sie versehentlich mit der Flüssigkeit in Berührung kommen, spülen Sie die betroffenen Stellen mit Wasser ab.
19. Verwenden Sie keinen Akku und auch kein Werkzeug, der (das) beschädigt oder modifiziert ist. Beschädigte oder modifizierte Akkus können unvorhersehbares Verhalten zeigen, das zu einem Brand, einer Explosion oder Verletzungsgefahr führen kann.
20. Setzen Sie einen Akku oder ein Werkzeug nicht Feuer oder übermäßigen Temperaturen aus. Bei Einwirkung von Feuer oder Temperaturen über 130 °C kann es zu einer Explosion kommen.
21. Befolgen Sie alle Ladeanweisungen, und laden Sie den Akku bzw. das Werkzeug nicht außerhalb des in den Anweisungen angegebenen Temperaturbereichs. Wird der Ladevorgang unsachgemäß oder bei Temperaturen außerhalb des angegebenen Bereichs durchgeführt, kann es zu einer Beschädigung des Akkus und erhöhter Brandgefahr kommen.

## BEWAHREN SIE DIESE ANLEITUNG AUF.

## ZUSÄTZLICHE SICHERHEITSGESETZ

Dieses Gerät ist für Haushaltsgebrauch vorgesehen.

1. Lesen Sie diese Gebrauchsanleitung und die Gebrauchsanleitung des Ladegerätes vor der Benutzung aufmerksam durch.
2. Unterlassen Sie das Aufsaugen der folgenden Materialien:
  - Heiße Materialien, wie z. B. brennende Zigaretten oder durch Schleifen/Schneiden von Metall erzeugte Funken/Metallstaub
  - Brennbare Materialien, wie z. B. Benzin, Verdünner, Petroleum oder Lack
  - Explosive Materialien, wie Nitroglycerin
  - Zündfähige Materialien, wie z. B. Aluminium, Zink, Magnesium, Titan, Phosphor oder Celluloid
  - Nassen Schmutz, Wasser, Öl oder dergleichen
  - Harte Gegenstände mit scharfen Kanten, wie z. B. Holzspäne, Metalle, Steine, Glas, Nägel, Nadeln oder Rasierklingen
  - Klumpen bildendes Pulver, wie z. B. Zement oder Toner



- Leitfähiger Staub, wie z. B. Metall- oder Kohlenstaub
  - Feine Partikel, wie z. B. Betonstaub
- Solche Handlungen können einen Brand, Verletzungen und/oder Sachschäden verursachen.
3. Brechen Sie den Betrieb sofort ab, wenn Sie irgendetwas Ungewöhnliches bemerken.
  4. Falls Sie den Staubsauger fallen lassen oder anstoßen, überprüfen Sie ihn vor der Benutzung sorgfältig auf Risse oder Beschädigung.
  5. Bringen Sie das Gerät nicht in die Nähe von Öfen oder anderen Wärmequellen.
  6. Blockieren Sie nicht die Einlassöffnung oder die Belüftungsöffnungen.

## BEWAHREN SIE DIESE ANLEITUNG AUF.

### Wichtige Sicherheitsanweisungen für Akku

1. Lesen Sie vor der Benutzung des Akkus alle Anweisungen und Warnhinweise, die an (1) Ladegerät, (2) Akku und (3) Akkuwerkzeug angebracht sind.
2. Unterlassen Sie Zerlegen oder Manipulieren des Akkus. Es kann sonst zu einem Brand, übermäßiger Hitzeentwicklung oder einer Explosion kommen.
3. Falls die Betriebszeit beträchtlich kürzer geworden ist, stellen Sie den Betrieb sofort ein. Anderenfalls besteht die Gefahr von Überhitzung, möglichen Verbrennungen und sogar einer Explosion.
4. Falls Elektrolyt in Ihre Augen gelangt, waschen Sie sie mit sauberem Wasser aus, und begeben Sie sich unverzüglich in ärztliche Behandlung. Anderenfalls können Sie Ihre Sehkraft verlieren.
5. Der Akku darf nicht kurzgeschlossen werden:
  - (1) Die Kontakte dürfen nicht mit leitfähigem Material berührt werden.
  - (2) Lagern Sie den Akku nicht in einem Behälter zusammen mit anderen Metallgegenständen, wie z. B. Nägel, Münzen usw.
  - (3) Setzen Sie den Akku weder Wasser noch Regen aus.

Ein Kurzschluss des Akkus verursacht starken Stromfluss, der Überhitzung, mögliche Verbrennungen und einen Defekt zur Folge haben kann.
6. Lagern und benutzen Sie das Werkzeug und den Akku nicht an Orten, an denen die Temperatur 50 °C erreichen oder überschreiten kann.
7. Versuchen Sie niemals, den Akku zu verbrennen, selbst wenn er stark beschädigt oder vollkommen verbraucht ist. Der Akku kann im Feuer explodieren.
8. Unterlassen Sie Nageln, Schneiden, Zerquetschen, Werfen, Fallenlassen des Akkus oder Schlagen des Akkus mit einem harten Gegenstand. Eine solche Handlung kann zu einem Brand, übermäßiger Hitzeentwicklung oder einer Explosion führen.
9. Benutzen Sie keine beschädigten Akkus.
10. Die enthaltenen Lithium-Ionen-Akkus unterliegen den Anforderungen der Gefahrgut-Gesetzgebung.
 

Für kommerzielle Transporte, z. B. durch Dritte oder Spediteure, müssen besondere Anforderungen zu Verpackung und Etikettierung beachtet werden.

Zur Vorbereitung des zu transportierenden Artikels ist eine Beratung durch einen Experten für Gefahrgut erforderlich. Bitte beachten Sie möglicherweise ausführlichere nationale Vorschriften. Überkleben oder verdecken Sie offene Kontakte, und verpacken Sie den Akku so, dass er sich in der Verpackung nicht umher bewegen kann.
11. Entfernen Sie den Akku zum Entsorgen vom Werkzeug, und entsorgen Sie ihn an einem sicheren Ort. Befolgen Sie die örtlichen Vorschriften bezüglich der Entsorgung von Akkus.
12. Verwenden Sie die Akkus nur mit den von Makita angegebenen Produkten. Das Einsetzen der Akkus in nicht konforme Produkte kann zu einem Brand, übermäßiger Hitzebildung, einer Explosion oder Auslaufen von Elektrolyt führen.
13. Soll das Werkzeug längere Zeit nicht benutzt werden, muss der Akku vom Werkzeug entfernt werden.
14. Bei und nach dem Gebrauch kann der Akku heiß werden, was Verbrennungen oder Niedertemperaturverbrennungen verursachen kann. Beachten Sie die Handhabung von heißen Akkus.
15. Berühren Sie nicht den Anschlusskontakt des Werkzeugs unmittelbar nach dem Gebrauch, da er heiß genug werden kann, um Verbrennungen zu verursachen.
16. Achten Sie darauf, dass sich keine Späne, Staub oder Schmutz in den Anschlusskontakten, Löchern und Nuten des Akkus absetzen. Dies kann zu einer Leistungseinbuße oder Betriebsstörung des Werkzeugs oder des Akkus führen.
17. Wenn das Werkzeug den Einsatz in der Nähe einer Hochspannungs-Stromleitung nicht unterstützt, benutzen Sie den Akku nicht in der Nähe einer Hochspannungs-Stromleitung. Dies kann zu einer Funktionsstörung oder Betriebsstörung des Werkzeugs oder des Akkus führen.
18. Halten Sie die Batterie von Kindern fern.

## DIESE ANWEISUNGEN AUFBEWAHREN.

**⚠ VORSICHT:** Verwenden Sie nur Original-Makita-Akkus. Die Verwendung von Nicht-Original-Makita-Akkus oder von Akkus, die abgeändert worden sind, kann zum Bersten des Akkus und daraus resultierenden Bränden, Personenschäden und Beschädigung führen. Außerdem wird dadurch die Makita-Garantie für das Makita-Werkzeug und -Ladegerät ungültig.

# Hinweise zur Aufrechterhaltung der maximalen Akku-Nutzungsdauer

1. Laden Sie den Akku, bevor er vollkommen erschöpft ist. Schalten Sie das Werkzeug stets aus, und laden Sie den Akku, wenn Sie ein Nachlassen der Werkzeugleistung feststellen.
2. Unterlassen Sie erneutes Laden eines voll aufgeladenen Akkus. Überladen führt zu einer Verkürzung der Nutzungsdauer des Akkus.
3. Laden Sie den Akku bei Raumtemperatur zwischen 10 – 40 °C. Lassen Sie einen heißen Akku abkühlen, bevor Sie ihn laden.
4. Wenn Sie den Akku nicht benutzen, nehmen Sie ihn vom Werkzeug oder Ladegerät ab.
5. Der Akku muss geladen werden, wenn er lange Zeit (länger als sechs Monate) nicht benutzt wird.

## FUNKTIONSBESCHREIBUNG

**⚠ VORSICHT:** Vergewissern Sie sich vor der Durchführung von Einstellungen oder Funktionsprüfungen des Werkzeugs stets, dass das Werkzeug ausgeschaltet und der Akku abgenommen ist.

**⚠ VORSICHT:** Achten Sie beim Einsetzen des Akkus darauf, dass keine Finger zwischen Saugergerät und Akku eingeklemmt werden. Einklemmen von Fingern kann Verletzungen verursachen.

## Anbringen und Abnehmen des Akkus

**⚠ VORSICHT:** Schalten Sie das Werkzeug stets aus, bevor Sie den Akku anbringen oder abnehmen.

**⚠ VORSICHT:** Halten Sie das Werkzeug und den Akku beim Anbringen oder Abnehmen des Akkus sicher fest. Wenn Sie das Werkzeug und den Akku nicht sicher festhalten, können sie Ihnen aus der Hand rutschen, was zu einer Beschädigung des Werkzeugs und des Akkus und zu Körperverletzungen führen kann.

► **Abb.1:** 1. Rote Anzeige 2. Knopf 3. Akku

Ziehen Sie den Akku zum Abnehmen vom Werkzeug ab, während Sie den Knopf an der Vorderseite des Akkus verschieben.

Richten Sie zum Anbringen des Akkus dessen Führungsfeder auf die Nut im Gehäuse aus, und schieben Sie den Akku hinein. Schieben Sie ihn vollständig ein, bis er mit einem hörbaren Klicken einrastet. Falls die rote Anzeige an der Oberseite des Knopfes sichtbar ist, ist der Akku nicht vollständig verriegelt.

**⚠ VORSICHT:** Schieben Sie den Akku stets bis zum Anschlag ein, bis die rote Anzeige nicht mehr sichtbar ist. Anderenfalls kann er aus dem Werkzeug herausfallen und Sie oder umstehende Personen verletzen.

**⚠ VORSICHT:** Unterlassen Sie Gewaltanwendung beim Anbringen des Akkus. Falls der Akku nicht reibungslos hineingleitet, ist er nicht richtig ausgerichtet.

## Werkzeug-/Akku-Schutzsystem

Das Werkzeug ist mit einem Werkzeug-/Akku-Schutzsystem ausgestattet. Dieses System schaltet die Stromversorgung des Motors automatisch aus, um die Lebensdauer des Werkzeugs und des Akkus zu verlängern.

Das Werkzeug bleibt während des Betriebs automatisch stehen, wenn das Werkzeug oder der Akku einer der folgenden Bedingungen unterliegt. Bei manchen Bedingungen leuchtet die Anzeigelampe auf.

► **Abb.2:** 1. Anzeigelampe

## Überlastschutz

Wird das Werkzeug in einer Weise betrieben, die eine ungewöhnlich hohe Stromaufnahme bewirkt, bleibt es automatisch stehen, und die Anzeige leuchtet für etwa 60 Sekunden auf. Schalten Sie in dieser Situation das Werkzeug aus, und brechen Sie die Arbeit ab, die eine Überlastung des Werkzeugs verursacht hat. Schalten Sie dann das Werkzeug wieder ein, um neu zu starten.

## Überhitzungsschutz

Wenn das Werkzeug/der Akku überhitzt wird, bleibt das Werkzeug automatisch stehen, und die Akku-Anzeige leuchtet etwa 60 Sekunden lang auf. Das Werkzeug läuft nicht an, selbst wenn Sie es einschalten. Lassen Sie den Akku in dieser Situation abkühlen, bevor Sie das Werkzeug wieder einschalten.

## Tiefentladungsschutz

Wenn die Akku-Restkapazität niedrig wird, blinkt die Anzeige. Bei weiterer Benutzung bleibt das Werkzeug stehen, und die Anzeige leuchtet etwa 60 Sekunden lang auf. Wenn Sie das Werkzeug einschalten, läuft der Motor wieder an, bleibt aber bald darauf stehen. Laden Sie in dieser Situation den Akku auf.

**HINWEIS:** Der Zeitpunkt, zu dem die Lampe aufleuchtet, hängt von der Temperatur am Arbeitsplatz und dem Zustand des Akkus ab.

## Anzeigen der Akku-Restkapazität

**Nur für Akkus mit Anzeige**

► **Abb.3:** 1. Anzeigelampen 2. Prüftaste

Drücken Sie die Prüftaste am Akku, um die Akku-Restkapazität anzuzeigen. Die Anzeigelampen leuchten wenige Sekunden lang auf.

Anzeigelampen			Restkapazität
Erleuchtet	Aus	Blinkend	
			75% bis 100%
			50% bis 75%
			25% bis 50%
			0% bis 25%
			Den Akku aufladen.
			Möglicherweise liegt eine Funktionsstörung im Akku vor.

**HINWEIS:** Abhängig von den Benutzungsbedingungen und der Umgebungstemperatur kann die Anzeige geringfügig von der tatsächlichen Kapazität abweichen.

## Schalterfunktion

- **Abb.4:** 1. Einschalttaste (ON)/Drehzahl-Umschalttaste 2. Ausschalttaste (OFF)

Drücken Sie zum Einschalten des Staubsaugers einfach die Einschalttaste (ON)/Drehzahl-Umschalttaste. Drücken Sie zum Ausschalten die Ausschalttaste (OFF).

Durch Drücken der Einschalttaste (ON)/Drehzahl-Umschalttaste können Sie die Drehzahl des Staubsaugers in drei Stufen ändern. Beim ersten Drücken dieser Taste erhalten Sie den Hochdrehzahlmodus, beim zweiten Drücken den Maximaldrehzahlmodus, und beim dritten Drücken den Normaldrehzahlmodus. Mit jedem Drücken dieser Taste wird der Zyklus hohe/maximale/normale Drehzahl abwechselnd wiederholt.

## MONTAGE

**⚠ VORSICHT:** Vergewissern Sie sich vor der Ausführung von Arbeiten am Werkzeug stets, dass das Werkzeug ausgeschaltet und der Akku abgenommen ist.

## Staubsack und Papierfilter

Setzen Sie vor der Benutzung des Staubsaugers entweder den Staubsack oder einen Papierfilter ein. Verwenden Sie den Staubsackanschlag sowohl für den Staubsack als auch für den Papierfilter.

Der Staubsack kann durch Entleeren viele Male wieder verwendet werden.

Der Papierfilter ist ein Wegwerfartikel. Werfen Sie den ganzen Papierfilter weg, ohne ihn zu entleeren, wenn er voll geworden ist.

**ANMERKUNG:** Um Eindringen von Staub in den Motor zu verhindern:

- Vergewissern Sie sich vor der Benutzung stets, dass der Staubsack bzw. der Papierfilter eingesetzt ist.
- Führen Sie den Staubsackanschlag zusammen mit dem Staubsack bzw. dem Papierfilter bis zum Anschlag in die Schlitz ein, wenn Sie die Teile installieren.
- Verwenden Sie keinen beschädigten oder zerrissenen Beutel.

Anderenfalls kann der Motor beschädigt werden.

**ANMERKUNG:** Unterlassen Sie Falten des Kartons an der Öffnung des Papierfilters, wenn Sie diesen einsetzen.

**ANMERKUNG:** Werfen Sie auf keinen Fall den Staubsackanschlag weg, weil er zum Einsetzen des Staubsaugs oder Papierfilters wiederholt benutzt werden muss.

**ANMERKUNG:** Der Papierfilter für den Staubsauger ist ein wichtiges Teil zur Aufrechterhaltung der Werkzeugeistung. Wird ein anderes Teil als der Original-Papierfilter verwendet, kann es zu Rauchbildung oder Entzündung kommen.

## Montieren des Staubsaugs

Verwenden Sie den Staubsackanschlag zum Einsetzen des Staubsaugs. Achten Sie darauf, dass Sie nicht versehentlich die Oberseite mit der Unterseite verwechseln, weil sie unterschiedlich sind.

- **Abb.5:** 1. Oberseite des Staubsaugsanschlags  
2. Unterseite des Staubsaugsanschlags

1. Führen Sie den Vorsprung des Staubsaugs in die Führungsnut des Staubsaugsanschlags ein, wie in der Abbildung gezeigt.

Es gibt keinen Unterschied zwischen Ober- und Unterseite des Staubsaugs. Sie können den Vorsprung beider Seiten in die Führungsnut des Staubsaugsanschlags einführen.

- **Abb.6:** 1. Staubsaugsanschlag 2. Nut 3. Staubsaug

2. Der Rahmen des Staubsaugsanschlags muss sich mit dem des Staubsaugs decken.

► **Abb.7**

3. Setzen Sie den Staubsaug zusammen mit dem Staubsaugsanschlag in der Richtung des Pfeils auf dem Staubsaugsanschlag in die Staubsaugkammer ein. Führen Sie die Teile vollständig in die Schlitz der Staubsaugkammer ein.

► **Abb.8:** 1. Schlitz

4. Bringen Sie den gesamten Stoffteil des Staubsaugs im Staubsauger selbst unter.

► **Abb.9**

5. Schließen Sie die Staubsaugbehälterabdeckung vollständig.

► **Abb.10:** 1. Staubsaugbehälterabdeckung

**HINWEIS:** Wenn der Staubsaug nicht im Sauggerät eingesetzt ist, lässt sich die Staubsaugbehälterabdeckung nicht vollständig schließen.

## Einsetzen des Papierfilters

Verwenden Sie den Staubsackanschlag auch zum Einsetzen des Papierfilters. Achten Sie darauf, dass Sie nicht versehentlich die Oberseite mit der Unterseite verwechseln, weil sie unterschiedlich sind.

- **Abb.11:** 1. Oberseite des Staubsackanschlags  
2. Unterseite des Staubsackanschlags

1. Falten Sie den Einlass des Papierfilters auf, bevor Sie ihn am Staubsackanschlag anbringen.

- **Abb.12**

2. Führen Sie den Vorsprung des Papierfilters in die Führungsnut des Staubsackanschlags ein, wie in der Abbildung gezeigt.

Es gibt keinen Unterschied zwischen Ober- und Unterseite des Papierfilters. Sie können den Vorsprung beider Seiten in die Führungsnut des Staubsackanschlags einführen.

- **Abb.13:** 1. Staubsackanschlag 2. Nut 3. Papierfilter

3. Der Rahmen des Staubsackanschlags muss sich mit dem des Papierfilters decken.

- **Abb.14**

4. Setzen Sie den Papierfilter zusammen mit dem Staubsackanschlag in der Richtung des Pfeils auf dem Staubsackanschlag in die Staubsackkammer ein. Führen Sie die Teile vollständig in die Schlitze der Staubsackkammer ein.

- **Abb.15:** 1. Schlitz

5. Bringen Sie den gesamten Behälterteil des Papierfilters im Gerät selbst unter.

- **Abb.16**

6. Schließen Sie die

Staubsammelbehälterabdeckung vollständig.

- **Abb.17:** 1. Staubsammelbehälterabdeckung

**HINWEIS:** Wenn der Papierfilter nicht im Sauggerät eingesetzt ist, lässt sich die Staubsammelbehälterabdeckung nicht vollständig schließen.

## Montieren des Schulterriemens

**⚠VORSICHT:** Achten Sie darauf, dass sich der Schulterriemen nicht an Gegenständen in Ihrer Umgebung verfängt.

**⚠VORSICHT:** Achten Sie darauf, dass der Schulterriemen während der Benutzung des Sauggerätes nicht von Ihrer Schulter abrutscht.

Um stabile Handhabung des Sauggerätes zu gewährleisten, empfehlen wir Ihnen, den Schulterriemen quer über Ihrem Brustkorb zu tragen.

Befestigen Sie die Haken des Schulterriemens an den Halterungen des Sauggerätes, wie in der Abbildung gezeigt.

- **Abb.18:** 1. Umhängerriemen 2. Haken 3. Halterung

**HINWEIS:** Sie können den Schulterriemen auch an der Tasche (Sonderzubehör) anbringen, wie dargestellt.

- **Abb.19:** 1. Umhängerriemen 2. Tasche

## BETRIEB

**⚠VORSICHT:** Halten Sie das Sauggerät zum Tragen immer am Handgriff. Falls Sie das Aufsatzteil zum Tragen halten, kann es sich vom Sauggerät lösen und Personenschäden verursachen.

**⚠VORSICHT:** Benutzen Sie das Gerät nicht in einem fahrenden Auto oder bei laufendem Motor.

**⚠VORSICHT:** Fassen Sie nicht den Schlauchverbinder, wie in der Abbildung gezeigt. Durch Halten des Schlauchverbinders kann Ihr Finger eingeklemmt werden.

- **Abb.20:** 1. Schlauchverbinder

## Verwendung als Sauggerät

**HINWEIS:** Entfernen Sie den Gebläseaufsatz vor dem Staubsaugen. Wenn der Gebläseaufsatz am Sauggerät angebracht ist, wird die Saugkraft reduziert.

## Montieren und Demontieren des Sauggeräteaufsatzes

Um einen Aufsatz, wie etwa eine Düse, anzuschließen, führen Sie diese bei gleichzeitigem Drehen sicher in den Schlauch ein. Zum Trennen ziehen Sie ihn bei gleichzeitigem Drehen heraus.

Die Montageart ist abhängig von den Düsen unterschiedlich, wie dargestellt.

- **Abb.21:** 1. Schlauch 2. Gummidüse 3. Weiche Bürste 4. Sitzdüse 5. Mattendüse

## Staubsaugen

### Gummidüse

Diese Düse eignet sich gut zum Reinigen von tief liegenden Ecken, wie etwa bei einer Türtasche. Die Gummidüse schont die Reinigungsfläche.

- **Abb.22:** 1. Gummidüse

### Weiche Bürste

Diese Düse eignet sich gut zum Reinigen von Klimaanlage-Lüftungsöffnungen, Armaturenbrett usw. Der Kopf der weichen Bürste kann auf einen rechten Winkel gedreht werden.

- **Abb.23:** 1. Weiche Bürste

### Sitzdüse

Diese Düse besitzt eine Flusenbürste zum Reinigen der Sitzfläche. Die Seitenbürste an der Düse ist nützlich, um Staub aus den Nähten herauszuharken.

- **Abb.24:** 1. Sitzdüse 2. Seitenbürste

### Mattendüse

Diese Düse wird zum Reinigen von Bodenmatten und Teppichböden verwendet. Die Zähne an der Düse helfen dabei, Sandkörner herauszuharken.

- **Abb.25:** 1. Mattendüse

**ANMERKUNG:** Verwenden Sie immer die Mattendüse zum Reinigen einer Matte. Wird die Mattendüse für andere Materialien verwendet, kann ihre Oberfläche verkratzt werden.

## Staubsaugen ohne Düse

Sie können Staubsaugen ohne die Düse durchführen.

► **Abb.26**

## Staubentleerung

**VORSICHT:** Entleeren Sie den Staubsack, oder ersetzen Sie den Papierfilter, bevor er voll wird. Anderenfalls lässt die Saug-/Blaskraft nach.

**VORSICHT:** Achten Sie beim Schließen der Staubsammelbehälterabdeckung darauf, dass Sie sich nicht die Finger klemmen.

**ANMERKUNG:** Werfen Sie auf keinen Fall den Staubsackanschlag weg, weil er bei jedem Einsetzen des Staubsacks oder Papierfilters benötigt wird.

**ANMERKUNG:** Wenn sich der Staubsack/Papierfilter nicht im Sauggerät befindet, lässt sich die Staubsammelbehälterabdeckung nicht vollständig schließen. Schließen Sie die Staubsammelbehälterabdeckung nicht gewaltsam. Es kann sonst zu einer Verformung oder einem Bruch des Werkzeugs kommen.

**ANMERKUNG:** Wenn Sie den Staub entsorgen, reinigen Sie auch den Raum für den Staubsack/Papierfilter. Staub und Schmutz, die in dem Raum verbleiben, können eine Verstopfung des Schwammfilters oder eine Beschädigung des Motors verursachen.

1. Öffnen Sie die Staubsammelbehälterabdeckung.

► **Abb.27:** 1. Staubsammelbehälterabdeckung

2. Ziehen Sie den orangefarbenen Staubsackanschlag und den Staubsack/Papierfilter gleichzeitig heraus.

► **Abb.28:** 1. Staubsackanschlag

3. **Bei Verwendung des Staubsacks**

Entfernen Sie den Staubsackanschlag, und entleeren Sie den Staubsack.

► **Abb.29:** 1. Staubsackanschlag 2. Staubsack

**Bei Verwendung des Papierfilters**

Entfernen Sie den Staubsackanschlag, und entsorgen Sie den Papierfilter.

► **Abb.30:** 1. Staubsackanschlag 2. Papierfilter

4. Setzen Sie den Staubsack/neuen Papierfilter und den Staubsackanschlag zusammen in das Sauggerät ein, und schließen Sie die Staubsammelbehälterabdeckung.

## Verwendung als Blasergerät

**VORSICHT:** Richten Sie die Düse niemals auf Personen oder Tiere in der Umgebung.

**VORSICHT:** Um Einatmen von Staub zu verhindern, wird empfohlen, während der Arbeit die Fenster zu öffnen und auch eine Schutzbrille und Staubmaske zu tragen.

**VORSICHT:** Ziehen Sie nicht am Gebläseaufsatz. Er könnte sich vom Sauggerät lösen.

**VORSICHT:** Verwenden Sie das Sauggerät nicht zum Aufblasen von Objekten, z. B. von Schlauchbooten, Bällen oder anderen aufblasbaren Produkten. Erhöhte Motordrehzahl kann gefährlichen Bruch des Gebläses verursachen.

**VORSICHT:** Blockieren Sie niemals den Saugeinlass und/oder den Gebläseauslass. Achten Sie beim Betrieb in staubiger Umgebung darauf, dass der Saugeinlass oder der Gebläseauslass nicht mit Staub oder Schmutz blockiert werden.

**VORSICHT:** Verwenden Sie keine anderen Düsen außer den von Makita bereitgestellten Düsen.

## Montieren und Demontieren des Gebläseaufsatzes

Richten Sie zum Anbringen des Gebläseaufsatzes den Vorsprung des Gebläseaufsatzanschlusses auf die Nut an der Lüftungsöffnung aus, und schieben Sie ihn hinein, bis er mit einem Klicken einrastet.

► **Abb.31:** 1. Gebläseaufsatz

Um den Gebläseaufsatz zu entfernen, ziehen Sie den Anschluss nach unten, während Sie auf seine Oberseite drücken, wie dargestellt.

► **Abb.32**

## Blasen

Richten Sie die Spitze des Gebläseaufsatzes auf das wegzublasende Objekt, und schalten Sie dann das Werkzeug ein.

► **Abb.33**

## WARTUNG

**VORSICHT:** Vergewissern Sie sich vor der Durchführung von Inspektions- oder Wartungsarbeiten stets, dass das Werkzeug ausgeschaltet und der Akku abgenommen ist.

**ANMERKUNG:** Verwenden Sie auf keinen Fall Benzin, Waschbenzin, Verdünnern, Alkohol oder dergleichen. Solche Mittel können Verformung, Verformung oder Rissbildung verursachen.

Um die SICHERHEIT und ZUVERLÄSSIGKEIT dieses Produkts zu gewährleisten, sollten Reparaturen und andere Wartungs- oder Einstellarbeiten nur von Makita-Vertragswerkstätten oder Makita-Kundendienstzentren unter ausschließlicher Verwendung von Makita-Originalersatzteilen ausgeführt werden.

## Reinigen

Wischen Sie die Außenseite (Staubsauger-Hauptteil) des Staubsaugers von Zeit zu Zeit mit einem mit Seifenwasser getränkten Tuch ab.  
Reinigen Sie auch die Saugöffnung, den Staubsaack/Papierfilter-Montagebereich und den Staubsaackanschlag.

► **Abb.34**

Waschen Sie den Staubsaack in Seifenwasser aus, wenn er mit Staub zugesetzt ist und die Sauggeräteleistung nachlässt. Lassen Sie ihn vor der Benutzung gründlich trocknen. Ein noch feuchter Filter kann schlechte Saugleistung verursachen und die Lebensdauer des Motors verkürzen.

► **Abb.35**

**HINWEIS:** Der Papierfilter ist ein Wegwerfartikel.

Wenn der Schwammfilter mit Staub zugesetzt ist, nehmen Sie ihn aus dem Staubsauger heraus, und wischen Sie ihn ab, oder waschen Sie ihn in Wasser aus.

## Herausnehmen und Einsetzen des Schwammfilters

**⚠ VORSICHT:** Denken Sie daran, den Schwammfilter nach dem Reinigen wieder in den Staubsauger einzusetzen. Wenn er in Wasser ausgewaschen wurde, lassen Sie ihn vor dem Einsetzen trocknen. Ein noch feuchter Schwammfilter kann die Lebensdauer des Motors verkürzen.

Entfernen Sie den Schwammfilter durch Zusammendrücken und Herausnehmen, nachdem Sie den Staubsaack bzw. den Papierfilter herausgenommen haben.

► **Abb.36:** 1. Schwammfilter

Drücken Sie die ganze Kante des Schwammfilters gegen die vertiefte Wand im Staubsaack/Papierfilter-Montagebereich.

► **Abb.37:** 1. Vertiefte Wand

## Fehlersuche

Bevor Sie eine Reparatur anfordern, überprüfen Sie bitte die folgenden Punkte.

Symptom	Prüfbereich	Abhilfemaßnahmen
Schwache Saugkraft	Ist der Staubsaack oder der Papierfilter voll Staub?	Staubsaack oder Papierfilter leeren.
	Ist der Staubsaack verstopft?	Den Staubsaack abstauben oder waschen.
	Ist der Papierfilter verstopft?	Den Papierfilter austauschen.
	Ist der Akku erschöpft?	Laden Sie den Akku auf.
Gerät funktioniert nicht	Ist der Akku erschöpft?	Laden Sie den Akku auf.
Die Staubsammelbehälterabdeckung lässt sich nicht schließen.	Ist der Staubsaack oder der Papierfilter eingesetzt?	Setzen Sie den Staubsaack oder Papierfilter ein.

**ANMERKUNG:** Versuchen Sie nicht, den Staubsauger selbst zu reparieren.

## Lagerung

**⚠ WARNUNG:** Lassen Sie Akku und Ladegerät niemals in einem Auto liegen. Die Temperatur in einem in der Sonne geparkten Auto kann 50 °C übersteigen. Es kann zu einer Verschlechterung des Akkus und zu Ausströmen von Flüssigkeit, Rauchentwicklung oder einem Brand kommen.

► **Abb.38**

**⚠ WARNUNG:** Benutzen Sie das Ladegerät niemals, während es in der Aufbewahrungstasche enthalten ist. Blockierung der Ventilationsöffnungen kann zu Rauchentwicklung oder einem Brand führen.

► **Abb.39**

**⚠ WARNUNG:** Laden Sie den Akku niemals mit einem fahrzeuginnen Wechselrichter auf. Es kann sonst zu ungewöhnlich starker Wärmeentwicklung kommen, die einen Brand verursachen kann.

**⚠ WARNUNG:** Laden Sie den Akku niemals in einem Auto auf. Wird der Akku einem Temperaturbereich außerhalb von 10 °C - 40 °C ausgesetzt, kann er Wärme und/oder einen Brand erzeugen oder explodieren.

**⚠ VORSICHT:** Verstauen Sie den Schlauch immer wie dargestellt, damit keine Personen darüber stolpern, wenn das Sauggerät nicht benutzt wird. Anderenfalls kann der abgewickelte Schlauch Ihren Fuß erfassen und Personenschäden verursachen.

► **Abb.40:** 1. Haken 2. Schlauch

# SONDERZUBEHÖR

**⚠ VORSICHT:** Die folgenden Zubehörteile oder Vorrichtungen werden für den Einsatz mit dem in dieser Anleitung beschriebenen Makita-Werkzeug empfohlen. Die Verwendung anderer Zubehörteile oder Vorrichtungen kann eine Verletzungsgefahr darstellen. Verwenden Sie Zubehörteile oder Vorrichtungen nur für ihren vorgesehenen Zweck.

Wenn Sie weitere Einzelheiten bezüglich dieser Zubehörteile benötigen, wenden Sie sich bitte an Ihre Makita-Kundendienststelle.

- Verlängerungsrohr (gerades Rohr)
- Düse
- Düse für Teppich
- Regalbürste
- Spitzdüse
- Rundbürste
- Flexibler Schlauch
- Papierfilter
- Freie Düse
- Sitzdüse
- Spaltendüse
- Zyklonaufsatz
- Staubsack
- Hochleistungs-Staubsack
- Tasche
- Original-Makita-Akku und -Ladegerät

**HINWEIS:** Manche Teile in der Liste können als Standardzubehör im Werkzeugsatz enthalten sein. Sie können von Land zu Land unterschiedlich sein.

## AVVERTENZA

Questo elettrodomestico può venire utilizzato dai bambini dagli 8 anni in su, nonché da persone con capacità fisiche, sensoriali o mentali ridotte, o prive di esperienza o preparazione, qualora vengano fornite loro supervisione o istruzioni relative all'utilizzo in sicurezza dell'elettrodomestico e comprendano i pericoli che comporta. I bambini non devono giocare con l'elettrodomestico. La pulizia e la manutenzione da parte dell'utente non devono essere effettuate dai bambini senza supervisione.

## DATI TECNICI

Modello:		DCL184
Capacità	con un sacchetto polveri	500 mL
	con un filtro di carta	330 mL
Utilizzo continuativo (con batteria BL1830B)	1 (modalità a velocità normale)	Circa 80 min
	2 (modalità ad alta velocità)	Circa 30 min
	3 (modalità a velocità massima)	Circa 20 min
Lunghezza complessiva (batteria BL1830B inclusa)		365 mm
Tensione nominale		18 V CC
Peso netto		1,8 - 2,2 kg

- A causa del nostro programma continuativo di ricerca e sviluppo, i dati tecnici sono soggetti a modifiche senza preavviso.
- I dati tecnici possono variare da nazione a nazione.
- Il peso non comprende gli accessori ma comprende la cartuccia della batteria o le cartucce delle batterie. Nella tabella sono indicati il peso combinato minimo e massimo dell'apparecchio insieme alla cartuccia della batteria o alle cartucce delle batterie.

## Cartuccia della batteria e caricabatterie applicabili

Cartuccia della batteria	BL1815N / BL1820 / BL1820B / BL1830 / BL1830B / BL1840 / BL1840B / BL1850 / BL1850B / BL1860B
Caricabatterie	DC18RC / DC18RD / DC18RE / DC18SD / DC18SE / DC18SF / DC18SH

- Alcune cartucce delle batterie e alcuni caricabatterie elencati sopra potrebbero non essere disponibili a seconda della propria area geografica di residenza.

**AVVERTIMENTO:** Utilizzare solo le cartucce delle batterie e i caricabatterie elencati sopra. L'utilizzo di altre cartucce delle batterie e di altri caricabatterie potrebbe causare lesioni personali e/o un incendio.

## Simboli

Le figure seguenti mostrano i simboli utilizzati per l'apparecchio. Accertarsi di comprenderne il significato prima dell'uso.



Leggere il manuale d'uso.



Solo per le nazioni UE  
Non smaltire apparecchiature elettriche o batterie insieme ai rifiuti domestici! In osservanza delle direttive europee sui rifiuti di apparecchiature elettriche ed elettroniche (RAEE), e su batterie ed accumulatori e sui rifiuti di batterie ed accumulatori, e sulla relativa implementazione in conformità alle norme nazionali, le apparecchiature elettriche e le batterie che hanno raggiunto la fine della loro vita utile devono essere sottoposte a raccolta differenziata e conferite a una struttura di riciclaggio ecocompatibile.



## Utilizzo previsto

Questo utensile è progettato per la raccolta delle polveri asciutte.

## AVVERTENZE DI SICUREZZA

### Avvertenze relative alla sicurezza dell'aspiratore a batteria

**⚠ AVVERTIMENTO: IMPORTANTE! LEGGERE CON ATTENZIONE tutte le avvertenze di sicurezza e tutte le istruzioni PRIMA DELL'USO.** La mancata osservanza delle avvertenze e delle istruzioni potrebbe risultare in scosse elettriche, incendi e/o gravi lesioni personali.

1. Non esporlo alla pioggia. Conservarlo al chiuso.
2. Non consentirne l'utilizzo come giocattolo. Qualora venga utilizzato da o in prossimità di bambini, è necessaria una stretta sorveglianza.
3. Utilizzarlo esclusivamente nelle modalità descritte nel presente manuale. Utilizzare esclusivamente gli accessori consigliati dal produttore.
4. Non utilizzarlo con una batteria danneggiata. Qualora l'elettrodomestico non funzioni come previsto, sia caduto, si sia danneggiato, sia rimasto all'aperto o sia caduto in acqua, portarlo a un centro di assistenza.
5. Non maneggiare l'elettrodomestico con le mani bagnate.
6. Non inserire alcun oggetto nelle aperture. Non utilizzarlo con alcuna apertura ostruita; tenerlo libero da polvere, lanugine, capelli e qualsiasi cosa possa ridurre il flusso dell'aria.
7. Tenere i capelli, gli indumenti abbondanti, le dita e tutte le parti del corpo lontani dalle aperture e dalle parti mobili.
8. Disattivare tutti i controlli prima di rimuovere la batteria.
9. Fare particolarmente attenzione durante la pulizia delle scale.
10. Non utilizzarlo per aspirare sostanze infiammabili o combustibili, ad esempio la benzina, o in ubicazioni in cui potrebbero essere presenti.
11. Per la ricarica, utilizzare esclusivamente il caricabatterie fornito dal produttore.
12. Non aspirare oggetti che brucino o emettano fumo, quali sigarette, fiammiferi o ceneri calde.
13. Non utilizzarlo senza il sacchetto polveri e/o i filtri installati.
14. Non caricare la batteria all'aperto.
15. Ricaricarla esclusivamente con il caricabatterie specificato dal produttore. Un caricabatterie idoneo a un tipo di batteria potrebbe creare un rischio di incendio, laddove venga utilizzato con una batteria di tipo diverso.
16. Utilizzare gli utensili elettrici solo con le batterie specificamente designate. L'utilizzo di qualsiasi altra batteria potrebbe comportare il rischio di lesioni personali o incendi.

17. Quando la batteria non è in uso, tenerla lontana da oggetti metallici, quali graffette, monete, chiavi, chiodi, viti o altri piccoli oggetti metallici, che possono creare un contatto da un terminale all'altro.
18. In condizioni di uso improprio, dalla batteria potrebbe venire espulso del liquido; evitare il contatto con tale liquido. In caso di contatto accidentale con il liquido, lavare abbondantemente con acqua.
19. Non utilizzare una batteria o un utensile che siano danneggiati o che siano stati modificati. Batterie danneggiate o modificate potrebbero mostrare un comportamento imprevedibile che può risultare in incendi, esplosioni o nel rischio di lesioni personali.
20. Non esporre una batteria o un utensile al fuoco o a temperature eccessive. L'esposizione al fuoco o a temperature superiori ai 130 °C potrebbe causare un'esplosione.
21. Attenersi a tutte le istruzioni relative alla carica e non caricare la batteria o l'utensile al di fuori della gamma di temperature specificata nelle istruzioni. Una carica inappropriata o a temperature al di fuori della gamma specificata potrebbe danneggiare la batteria e incrementare il rischio di incendio.

## CONSERVARE LE PRESENTI ISTRUZIONI.

## REGOLE AGGIUNTIVE PER LA SICUREZZA

Questo elettrodomestico è progettato per l'utilizzo domestico.

1. Leggere attentamente il presente manuale d'uso e il manuale d'uso del caricabatterie prima dell'uso.
2. Non aspirare i materiali seguenti:
  - Materiali caldi, quali sigarette accese e/o scintille o polveri metalliche generate dalla smerigliatura o dal taglio del metallo
  - Materiali infiammabili, quali benzina per auto, solventi, benzina per smacchiare, cherosene o vernici
  - Materiali esplosivi, ad esempio nitroglicerina
  - Materiali infiammabili, quali alluminio, zinco, magnesio, titanio, fosforo o celluloido
  - Sporcizia bagnata, acqua, olio o simili
  - Pezzi duri con estremità affilate, quali schegge di legno, metalli, pietre, vetri, chiodi, spilli o raso
  - Polveri che formino grumi, quali cemento o toner
  - Polveri conduttive, quali quelle metalliche o di carbonio
  - Polveri sottili, ad esempio polvere di calcestruzzoIn caso contrario, si potrebbero causare incendi, lesioni a persone e/o danni alle cose.
3. Qualora si noti una qualsiasi anomalia, interrompere immediatamente l'utilizzo.
4. Qualora si faccia cadere o si colpisca l'aspiratore, controllarlo attentamente alla ricerca di eventuali spaccature o danni, prima di utilizzarlo.

5. Non avvicinarlo a stufe/fornelli o altre fonti di calore.
6. Non ostruire il foro di aspirazione o i fori di ventilazione.

## CONSERVARE LE PRESENTI ISTRUZIONI.

### Istruzioni di sicurezza importanti per la cartuccia della batteria

1. Prima di utilizzare la cartuccia della batteria, leggere tutte le istruzioni e le avvertenze riportate (1) sul caricabatteria, (2) sulla batteria e (3) sul prodotto che utilizza la batteria.
2. Non smantellare né manomettere la cartuccia della batteria. In caso contrario, si potrebbe causare un incendio, calore eccessivo o un'esplosione.
3. Qualora il tempo di utilizzo si riduca eccessivamente, interrompere immediatamente l'utilizzo dell'utensile. In caso contrario, si può incorrere nel rischio di surriscaldamento, possibili ustioni e persino un'esplosione.
4. Qualora l'elettrolita entri in contatto con gli occhi, sciacquarli con acqua pulita e richiedere immediatamente assistenza medica. Questa eventualità può risultare nella perdita della vista.
5. Non cortocircuitare la cartuccia della batteria:
  - (1) Non toccare i terminali con alcun materiale conduttivo.
  - (2) Evitare di conservare la cartuccia della batteria in un contenitore insieme ad altri oggetti metallici quali chiodi, monete, e così via.
  - (3) Non esporre la cartuccia della batteria all'acqua o alla pioggia.

Un cortocircuito della batteria può causare un grande flusso di corrente, un surriscaldamento, possibili ustioni e persino un guasto.

6. Non conservare e utilizzare l'utensile e la cartuccia della batteria in ubicazioni in cui la temperatura possa raggiungere o superare i 50°C.
7. Non incenerire la cartuccia della batteria anche qualora sia gravemente danneggiata o completamente esaurita. La cartuccia della batteria può esplodere se a contatto con il fuoco.
8. Non inchiodare, tagliare, schiacciare, lanciare o far cadere la cartuccia della batteria, né farla urtare con forza contro un oggetto duro. Questi comportamenti potrebbero risultare in un incendio, calore eccessivo o un'esplosione.
9. Non utilizzare una batteria danneggiata.
10. Le batterie a ioni di litio contenute sono soggette ai requisiti del regolamento sul trasporto di merci pericolose (Dangerous Goods Legislation).  
Per trasporti commerciali, ad esempio da parte di terzi o spedizionieri, è necessario osservare dei requisiti speciali sull'imballaggio e sull'etichetta. Per la preparazione dell'articolo da spedire, è richiesta la consulenza di un esperto in materiali pericolosi. Attenersi anche alle normative nazionali, che potrebbero essere più dettagliate. Nastrare o coprire i contatti aperti e imballare la batteria in modo tale che non si possa muovere liberamente all'interno dell'imballaggio.

11. Quando si intende smaltire la cartuccia della batteria, rimuoverla dall'utensile e smaltirla in un luogo sicuro. Attenersi alle normative locali relative allo smaltimento della batteria.
12. Utilizzare le batterie esclusivamente con i prodotti specificati da Makita. L'installazione delle batterie in prodotti non compatibili potrebbe risultare in incendi, calore eccessivo, esplosioni o perdite di liquido elettrolitico.
13. Se l'utensile non viene utilizzato per un periodo di tempo prolungato, la batteria deve essere rimossa dall'utensile.
14. Durante e dopo l'uso, la cartuccia della batteria potrebbe assorbire calore, che può causare ustioni o ustioni a bassa temperatura. Fare attenzione a come si maneggiano le cartucce delle batterie estremamente calde.
15. Non toccare i terminali dell'utensile subito dopo l'uso, in quanto potrebbero diventare estremamente caldi al punto da causare ustioni.
16. Evitare di far incastrare schegge, polveri o terreno nei terminali, nei fori e nelle scanalature della cartuccia della batteria. In caso contrario, si potrebbero causare prestazioni scadenti o la rottura dell'utensile o della cartuccia della batteria.
17. A meno che l'utensile supporti l'uso in prossimità di linee elettriche ad alta tensione, non utilizzare la cartuccia della batteria in prossimità di linee elettriche ad alta tensione. In caso contrario, si potrebbe causare un malfunzionamento o la rottura dell'utensile o della cartuccia della batteria.
18. Tenere la batteria lontana dai bambini.

## CONSERVARE LE PRESENTI ISTRUZIONI.

**ATTENZIONE:** Utilizzare solo batterie originali Makita. L'utilizzo di batterie Makita non originali, o di batterie che siano state alterate, potrebbe risultare nello scoppio della batteria, causando incendi, lesioni personali e danni. Inoltre, ciò potrebbe invalidare la garanzia Makita per l'utensile e il caricabatterie Makita.

## Suggerimenti per preservare la durata massima della batteria

1. Caricare la cartuccia della batteria prima che si scarichi completamente. Smettere sempre di utilizzare l'utensile e caricare la cartuccia della batteria quando si nota che la potenza dell'utensile è diminuita.
2. Non ricaricare mai una cartuccia della batteria completamente carica. La sovraccarica riduce la vita utile della batteria.
3. Caricare la cartuccia della batteria a una temperatura ambiente compresa tra 10°C e 40°C. Lasciar raffreddare una cartuccia della batteria prima di caricarla.
4. Quando non si utilizza la cartuccia della batteria, rimuoverla dall'utensile o dal caricabatteria.
5. Caricare la cartuccia della batteria se non la si è utilizzata per un periodo di tempo prolungato (più di sei mesi).

## DESCRIZIONE DELLE FUNZIONI

**⚠ATTENZIONE:** Accertarsi sempre che l'utensile sia spento e che la cartuccia della batteria sia stata rimossa prima di regolare o di controllare il funzionamento dell'utensile.

**⚠ATTENZIONE:** Quando si inserisce la batteria, fare attenzione a non far restare incastrate le dita tra l'aspiratore e la batteria. Qualora le dita restino incastrate, sussiste il pericolo di lesioni personali.

## Installazione o rimozione della cartuccia della batteria

**⚠ATTENZIONE:** Spegnerne sempre l'utensile prima di installare o rimuovere la cartuccia della batteria.

**⚠ATTENZIONE:** Mantenere saldamente lo strumento e la batteria quando si intende installare o rimuovere la cartuccia della batteria. Qualora non si mantengano saldamente lo strumento e la cartuccia della batteria, questi ultimi potrebbero scivolare dalle mani, con la possibilità di causare un danneggiamento dello strumento e della cartuccia della batteria, nonché una lesione personale.

► Fig.1: 1. Indicatore rosso 2. Pulsante 3. Cartuccia della batteria

Per rimuovere la cartuccia della batteria, farla scorrere via dall'utensile mentre si fa scorrere allo stesso tempo il pulsante sulla parte anteriore della cartuccia.

Per installare la cartuccia della batteria, allineare l'appendice della batteria con la scanalatura nell'alloggiamento e farla scivolare in sede. Inserirla completamente fino al suo blocco in sede con un leggero scatto. Se è possibile vedere l'indicatore rosso sul lato superiore del pulsante, la batteria non è bloccata completamente.

**⚠ATTENZIONE:** Installare sempre fino in fondo la cartuccia della batteria, fino a quando l'indicatore rosso non è più visibile. In caso contrario, la batteria potrebbe cadere accidentalmente dall'utensile, causando lesioni personali all'operatore o a chi gli è vicino.

**⚠ATTENZIONE:** Non installare forzatamente la cartuccia della batteria. Qualora la batteria non si inserisca scorrendo agevolmente, vuol dire che non viene inserita correttamente.

## Sistema di protezione dell'utensile e della batteria

L'utensile è dotato di un sistema di protezione dell'utensile e della batteria. Questo sistema interrompe automaticamente l'alimentazione al motore per prolungare la vita utile dell'utensile e della batteria.

L'utensile si arresta automaticamente durante il funzionamento, qualora l'utensile stesso o la batteria vengano a trovarsi in una delle condizioni indicate di seguito. In alcune condizioni, l'indicatore luminoso si illumina.

► Fig.2: 1. Indicatore luminoso

## Protezione dal sovraccarico

Quando l'utensile viene utilizzato in un modo che causi un assorbimento di corrente elevato in modo anomalo, l'utensile si arresta automaticamente e l'indicatore si illumina per circa 60 secondi. In questa circostanza, spegnere l'utensile e interrompere l'applicazione che ha causato il sovraccarico dell'utensile. Quindi, accendere l'utensile per ricominciare.

## Protezione dal surriscaldamento

Quando l'utensile o la batteria sono surriscaldati, l'utensile si arresta automaticamente, e l'indicatore della batteria si illumina per circa 60 secondi. L'utensile non si avvia anche se viene acceso. In questa circostanza, lasciar raffreddare la batteria prima di riaccendere l'utensile.

## Protezione dalla sovrascarica

Quando la carica residua della batteria diventa bassa, l'indicatore lampeggia. Qualora si continui a utilizzare l'utensile, quest'ultimo si arresta e l'indicatore si illumina per circa 60 secondi. Se si accende l'utensile, il motore gira di nuovo, ma si arresta poco dopo. In questa circostanza, caricare la cartuccia della batteria.

**NOTA:** La tempistica con cui l'indicatore luminoso si illumina dipende dalla temperatura della sede di lavoro e dalle condizioni della cartuccia della batteria.

## Indicazione della carica residua della batteria

**Solo per cartucce delle batterie dotate di indicatore**

► Fig.3: 1. Indicatori luminosi 2. Pulsante di controllo

Premere il pulsante di controllo sulla cartuccia della batteria per indicare la carica residua della batteria. Gli indicatori luminosi si illuminano per alcuni secondi.

Indicatori luminosi			Carica residua
■ Illuminato	□ Spento	◐ Lampeggiante	
■ ■ ■ ■			Dal 75% al 100%
■ ■ ■ □			Dal 50% al 75%
■ ■ □ □			Dal 25% al 50%
■ □ □ □			Dallo 0% al 25%
◐ □ □ □			Caricare la batteria.
■ ■ □ □			La batteria potrebbe essersi guastata.
□ □ ■ ■			

**NOTA:** A seconda delle condizioni d'uso e della temperatura ambiente, l'indicazione potrebbe variare leggermente rispetto alla carica effettiva.

## Funzionamento dell'interruttore

- **Fig.4:** 1. Pulsante di accensione/modifica della velocità 2. Pulsante di spegnimento

Per avviare l'aspiratore, è sufficiente premere il pulsante di accensione/modifica della velocità. Per spegnerlo, premere il pulsante di spegnimento.

È possibile modificare la velocità dell'aspiratore su tre livelli, premendo il pulsante di accensione/modifica della velocità.

La prima pressione di questo pulsante attiva la modalità ad alta velocità, la seconda pressione attiva la modalità a velocità massima e la terza pressione attiva la velocità normale. Ciascuna pressione di questo pulsante ripete il ciclo di alternanza tra velocità alta/massima/normale.

## MONTAGGIO

**ATTENZIONE:** Accertarsi sempre che l'utensile sia spento e che la cartuccia della batteria sia stata rimossa, prima di effettuare qualsiasi intervento sull'utensile.

### Sacchetto polveri e filtro di carta

Prima di utilizzare l'aspiratore, installare un sacchetto polveri o un filtro di carta.

Quando si intende installare il sacchetto polveri o il filtro di carta, utilizzare la barriera polveri.

È possibile riutilizzare i sacchetti polveri numerose volte, pulendoli a fondo.

Il filtro di carta è di tipo "usa-e-getta". Gettare via l'intero filtro di carta senza svuotarlo, quando si è riempito.

**AVVISO:** Per evitare che le polveri penetrino nel motore:

- Prima dell'uso, accertarsi che sia installato il sacchetto polveri o il filtro di carta.
- Inserire la barriera polveri assieme al sacchetto polveri o al filtro di carta fino in fondo negli alloggiamenti, quando si intende installarli.
- Non utilizzare un sacchetto rotto o strappato.

In caso contrario, si potrebbe rompere il motore.

**AVVISO:** Quando si intende installare il filtro di carta, non piegare il cartone nel punto della sua apertura.

**AVVISO:** Non gettare mai via la barriera polveri, poiché deve essere riutilizzata ogni volta che si utilizzano il sacchetto polveri o il filtro di carta.

**AVVISO:** Il filtro di carta per l'aspiratore è un componente importante per preservare le prestazioni dell'utensile. L'utilizzo di filtri di carta diversi da quelli originali potrebbe causare emissioni di fumi o combustione.

## Installazione del sacchetto polveri

Quando si intende installare il sacchetto polveri, utilizzare la barriera polveri. Fare attenzione a non confondere il lato superiore con il lato inferiore per errore, poiché sono diversi l'uno dall'altro.

- **Fig.5:** 1. Lato superiore della barriera polveri  
2. Lato inferiore della barriera polveri

1. Inserire la sporgenza del sacchetto polveri nella scanalatura sulla barriera polveri, come indicato nella figura.

Non vi è alcuna distinzione tra il lato superiore e quello inferiore del sacchetto polveri. È possibile inserire la sua sporgenza presente su entrambi i lati nella scanalatura della barriera polveri.

- **Fig.6:** 1. Barriera polveri 2. Scanalatura  
3. Sacchetto polveri

2. Sovrapporre il telaio della barriera polveri a quello del sacchetto polveri.

- **Fig.7**

3. Posizionare la barriera polveri e il sacchetto polveri assieme nella cavità dell'aspiratore con lo stesso orientamento indicato dalla freccia presente sulla barriera polveri. Inserirli fino in fondo negli alloggiamenti nella cavità dell'aspiratore.

- **Fig.8:** 1. Apertura

4. Posizionare l'intera parte in tessuto del sacchetto polveri all'interno dell'aspiratore stesso.

- **Fig.9**

5. Chiudere completamente lo sportellino del contenitore polveri.

- **Fig.10:** 1. Sportellino del contenitore polveri

**NOTA:** Quando il sacchetto polveri non è installato nell'aspiratore, lo sportellino del contenitore polveri non si chiude completamente.

## Installazione del filtro di carta

Utilizzare la barriera polveri anche quando si intende installare il filtro di carta. Fare attenzione a non confondere il lato superiore con il lato inferiore per errore, poiché sono diversi l'uno dall'altro.

- **Fig.11:** 1. Lato superiore della barriera polveri  
2. Lato inferiore della barriera polveri

1. Distendere l'ingresso del filtro di carta prima di posizionarlo sulla barriera polveri.

- **Fig.12**

2. Inserire la sporgenza del filtro di carta nella scanalatura sulla barriera polveri, come indicato nella figura.

Non vi è alcuna distinzione tra il lato superiore e quello inferiore del filtro di carta. È possibile inserire la sua sporgenza presente su entrambi i lati nella scanalatura della barriera polveri.

- **Fig.13:** 1. Barriera polveri 2. Scanalatura 3. Filtro di carta

3. Sovrapporre il telaio della barriera polveri a quello del filtro di carta.

- **Fig.14**

4. Posizionare la barriera polveri e il filtro di carta assieme nella cavità dell'aspiratore, con lo stesso orientamento indicato dalla freccia presente sulla barriera polveri. Inserirli fino in fondo negli alloggiamenti nella cavità dell'aspiratore.

► Fig.15: 1. Apertura

5. Posizionare l'intera parte del contenitore del filtro di carta all'interno dell'utensile stesso.

► Fig.16

6. Chiudere completamente lo sportellino del contenitore polveri.

► Fig.17: 1. Sportellino del contenitore polveri

**NOTA:** Quando il filtro di carta non è installato nell'aspiratore, lo sportellino del contenitore polveri non si chiude completamente.

## Installazione della tracolla

**⚠ATTENZIONE:** Fare attenzione a non far impigliare la tracolla negli oggetti presenti nell'ambiente circostante.

**⚠ATTENZIONE:** Fare attenzione a non far scivolare via dalla spalla la tracolla durante l'uso dell'aspiratore. Per mantenere in modo stabile l'aspiratore, si consiglia di indossare la tracolla di traverso davanti al torace.

Fissare i ganci della tracolla agli attacchi dell'aspiratore, come indicato nella figura.

► Fig.18: 1. Tracolla 2. Gancio 3. Attacco

**NOTA:** È anche possibile montare la tracolla sulla borsa morbida (accessorio opzionale), come indicato nella figura.

► Fig.19: 1. Tracolla 2. Borsa morbida

## FUNZIONAMENTO

**⚠ATTENZIONE:** Quando si intende trasportare l'aspiratore, afferrarlo sempre per la maniglia.

Qualora per il trasporto si afferrì la parte dell'accessorio, quest'ultima potrebbe staccarsi dall'aspiratore e risultare in lesioni personali.

**⚠ATTENZIONE:** Non utilizzare l'elettrodomestico mentre si guida un'automobile o con il motore acceso.

**⚠ATTENZIONE:** Non afferrare il giunto del tubo flessibile nel modo indicato nella figura. Qualora si afferrì il giunto del tubo flessibile, le dita potrebbero restare incastrate.

► Fig.20: 1. Giunto del tubo flessibile

## Utilizzo come aspirapolvere

**NOTA:** Rimuovere l'accessorio soffiatore, prima di eseguire la pulizia con l'aspirapolvere. Se l'accessorio soffiatore è montato sull'aspiratore, la potenza di aspirazione si riduce.

## Installazione o rimozione dell'accessorio aspiratore

Per collegare un accessorio, ad esempio una bocchetta, ruotarlo e inserirlo saldamente sul tubo flessibile. Per scollegarlo, ruotarlo e rimuoverlo.

La modalità di installazione varia a seconda delle bocchette, come illustrato nella figura.

► Fig.21: 1. Tubo flessibile 2. Bocchetta di gomma 3. Spazzola morbida 4. Bocchetta per sedute 5. Bocchetta per tappetini

## Pulizia con aspirapolvere

### Bocchetta di gomma

Questa bocchetta è comoda per pulire gli angoli in basso, ad esempio le tasche portaoggetti nelle portiere. La bocchetta di gomma agisce delicatamente sulla superficie da pulire.

► Fig.22: 1. Bocchetta di gomma

### Spazzola morbida

Questa bocchetta è comoda per pulire le feritoie di condizionatori, cruscotti, e così via. È possibile ruotare la testa della spazzola morbida ad angolo retto.

► Fig.23: 1. Spazzola morbida

### Bocchetta per sedute

Questa bocchetta dispone di una spazzola per lanugine, per pulire la superficie delle sedute. La spazzola laterale sulla bocchetta è utile per spazzolare via la polvere dalle cuciture.

► Fig.24: 1. Bocchetta per sedute 2. Spazzola laterale

### Bocchetta per tappetini

Questa bocchetta va utilizzata per la pulizia di tappetini e tappeti. I denti sulla bocchetta aiutano a spazzolare via granelli di sabbia.

► Fig.25: 1. Bocchetta per tappetini

**AVVISO:** Utilizzare sempre la bocchetta per tappetini per pulire tappetini. L'utilizzo della bocchetta per tappetini per altri materiali potrebbe graffiare la superficie.

## Pulizia senza la bocchetta

È possibile eseguire la pulizia con aspirapolvere senza utilizzare una bocchetta.

► Fig.26

## Smaltimento delle polveri

**⚠ATTENZIONE:** Svuotare il sacchetto polveri o sostituire il filtro di carta prima che sia completamente pieno. In caso contrario, la forza di aspirazione/soffio si indebolisce.

**⚠ATTENZIONE:** Quando si chiude lo sportellino del contenitore polveri, fare attenzione a non far restare incastrate le dita.

**AVVISO:** Non gettare mai via la barriera polveri, poiché va utilizzata ogni volta che si utilizzano il sacchetto polveri o il filtro di carta.

**AVVISO:** Quando il sacchetto polveri o il filtro di carta non è installato all'interno dell'aspiratore, lo sportellino del contenitore polveri non si chiude completamente. Non forzare lo sportellino del contenitore polveri per chiuderlo. In caso contrario, si potrebbe causare la deformazione o la rottura dell'utensile.

**AVVISO:** Quando si smaltisce la polvere, pulire anche l'alloggiamento destinato al sacchetto polveri o al filtro di carta. Le polveri e lo sporco rimasti nell'alloggiamento potrebbero causare l'intasamento del filtro in spugna o il danneggiamento del motore.

1. Aprire lo sportellino del contenitore polveri.  
► **Fig.27:** 1. Sportellino del contenitore polveri
2. Estrarre assieme sia la barriera polveri di colore arancione che il sacchetto polveri o il filtro di carta contemporaneamente.  
► **Fig.28:** 1. Barriera polveri
3. Quando si utilizza il sacchetto polveri  
Rimuovere la barriera polveri e svuotare il sacchetto polveri.  
► **Fig.29:** 1. Barriera polveri 2. Sacchetto polveri

#### Quando si utilizza il filtro di carta

Rimuovere la barriera polveri e smaltire il filtro di carta.  
► **Fig.30:** 1. Barriera polveri 2. Filtro di carta

4. Inserire nell'aspiratore il sacchetto polveri o il nuovo filtro di carta insieme alla barriera polveri, quindi chiudere lo sportellino del contenitore polveri.

### Utilizzo come soffiatore

**ATTENZIONE:** Non puntare mai la bocchetta verso alcuna persona nelle vicinanze.

**ATTENZIONE:** Per evitare l'inalazione di polvere, si consiglia di aprire le finestre, nonché di indossare occhiali protettivi e una maschera, durante l'uso.

**ATTENZIONE:** Non tirare l'accessorio soffiatore. Potrebbe staccarsi dall'aspiratore.

**ATTENZIONE:** Non utilizzare l'aspiratore per soffiare aria all'interno di altri oggetti, ad esempio gommoni per rafting, palloni o altri prodotti gonfiabili. L'aumento dei giri del motore potrebbe causare pericolose rotture della ventola.

**ATTENZIONE:** Non ostruire mai la presa di aspirazione e/o l'apertura di uscita del soffiatore. Fare attenzione a non ostruire la presa di aspirazione o l'apertura di uscita del soffiatore con polveri o sporco, quando si lavora in un'area polverosa.

**ATTENZIONE:** Non utilizzare bocchette diverse da quelle fornite da Makita.

### Installazione o rimozione dell'accessorio soffiatore

Per montare l'accessorio soffiatore, allineare la sporgenza dell'apertura dell'accessorio soffiatore con la scanalatura sulla presa d'aria, quindi premere l'accessorio fino a sentire uno scatto.

► **Fig.31:** 1. Accessorio soffiatore

Per rimuovere l'accessorio soffiatore, tirare verso il basso l'apertura premendone al tempo stesso la parte superiore, come illustrato nella figura.

► **Fig.32**

### Soffiaggio

Orientare la punta dell'accessorio soffiatore verso l'oggetto da soffiare via, quindi accendere l'utensile.

► **Fig.33**

## MANUTENZIONE

**ATTENZIONE:** Accertarsi sempre che l'utensile sia spento e che la cartuccia della batteria sia stata rimossa prima di tentare di eseguire interventi di ispezione o manutenzione.

**AVVISO:** Non utilizzare mai benzina, benzene, solventi, alcol o altre sostanze simili. In caso contrario, si potrebbero causare scolorimenti, deformazioni o crepe.

Per preservare la SICUREZZA e l'AFFIDABILITÀ del prodotto, le riparazioni e qualsiasi altro intervento di manutenzione e di regolazione devono essere eseguiti da un centro di assistenza autorizzato Makita, utilizzando sempre ricambi Makita.

### Pulizia

Pulire di tanto in tanto la superficie esterna dell'aspiratore (corpo dell'aspiratore) utilizzando un panno inumidito con acqua e sapone.

Pulire anche l'apertura di aspirazione, l'area di montaggio del sacchetto polveri o del filtro di carta e la barriera polveri.

► **Fig.34**

Lavare il sacchetto polveri in acqua e sapone quando è intasato di polveri e la potenza dell'aspiratore si indebolisce. Asciugarlo completamente prima dell'uso. Un filtro non asciugato a sufficienza potrebbe causare un'aspirazione scadente e ridurre la vita utile del motore.

► **Fig.35**

**NOTA:** Il filtro di carta è di tipo "usa-e-getta".

Quando il filtro in spugna è intasato di polveri, rimuoverlo dall'aspiratore, quindi pulirlo o lavarlo in acqua.

## Rimozione e installazione del filtro in spugna

**⚠ATTENZIONE:** Dopo la pulizia del filtro in spugna, accertarsi di installarlo nell'aspiratore. Qualora sia stato lavato in acqua, farlo asciugare prima di installarlo. Un filtro in spugna non asciugato a sufficienza potrebbe ridurre la vita utile del motore.

Per rimuovere il filtro in spugna, rimuovere il sacchetto polveri o il filtro di carta, quindi afferrarlo tra due dita ed estrarlo.

► **Fig.36:** 1. Filtro in spugna

Premere verso l'interno l'intero bordo del filtro in spugna contro la parete incassata all'interno dell'area di montaggio del sacchetto polveri o del filtro di carta.

► **Fig.37:** 1. Parete incassata

## Conservazione

**⚠AVVERTIMENTO:** Non lasciare mai la cartuccia della batteria e il caricabatterie in un'auto. La temperatura all'interno di un'auto in sosta sotto il sole può superare i 50 °C. Ciò potrebbe causare il deterioramento della cartuccia della batteria e risultare nell'espulsione di liquido, nell'emissione di fumo o in un incendio.

► **Fig.38**

**⚠AVVERTIMENTO:** Non utilizzare mai i caricabatterie mentre è chiuso all'interno di una borsa in cui è riposto. L'ostruzione della presa d'aria potrebbe risultare nell'emissione di fumo o in un incendio.

► **Fig.39**

**⚠AVVERTIMENTO:** Non caricare mai la cartuccia della batteria con un inverter per veicoli. Ciò potrebbe causare calore anomalo e risultare in un incendio.

**⚠AVVERTIMENTO:** Non caricare mai la cartuccia della batteria in un'auto. Qualora la cartuccia della batteria venga esposta a temperature al di fuori della gamma compresa tra 10°C e 40°C, potrebbe generare calore e/o un incendio o esplodere.

**⚠ATTENZIONE:** Quando l'aspiratore non è in uso, riporre sempre il tubo flessibile come illustrato nella figura, per evitare di inciamparvi sopra. Un tubo flessibile srotolato potrebbe impigliarsi in un piede e causare lesioni personali.

► **Fig.40:** 1. Gancio 2. Tubo flessibile

## Risoluzione dei problemi

Prima di richiedere riparazioni, controllare i punti seguenti.

Sintomo	Area da controllare	Metodo di correzione del problema
Forza di aspirazione debole	Il sacchetto polveri o il filtro di carta sono pieni di polveri?	Svuotare il sacchetto polveri o il filtro di carta.
	Il sacchetto polveri è intasato?	Spolverare o lavare il sacchetto polveri.
	Il filtro di carta è intasato?	Sostituire il filtro di carta.
	La cartuccia della batteria è scarica?	Caricare la cartuccia della batteria.
Mancato funzionamento	La cartuccia della batteria è scarica?	Caricare la cartuccia della batteria.
Lo sportellino del contenitore polveri non si chiude	Il sacchetto polveri o il filtro di carta è inserito?	Inserire il sacchetto polveri o il filtro di carta.

**AVVISO:** Non tentare di riparare l'aspiratore da soli.

## ACCESSORI OPZIONALI

**⚠ATTENZIONE:** Questi accessori o componenti aggiuntivi sono consigliati per l'uso con l'utensile Makita specificato nel presente manuale. L'impiego di altri accessori o componenti aggiuntivi può costituire un rischio di lesioni alle persone. Utilizzare gli accessori o i componenti aggiuntivi solo per il loro scopo prefissato.

Per ottenere ulteriori dettagli relativamente a questi accessori, rivolgersi a un centro di assistenza Makita.

- Prolunga (tubo diritto)
- Bocchetta
- Bocchetta per tappeti
- Spazzola per scaffali
- Bocchetta per angoli
- Spazzola rotonda

- Tubo flessibile
- Filtro di carta
- Bocchetta staccata
- Bocchetta per sedute
- Bocchetta per fessure
- Accessorio ciclonico
- Sacchetto polveri
- Sacchetto polveri ad alte prestazioni
- Borsa morbida
- Batteria e caricabatterie originali Makita

**NOTA:** Alcuni articoli nell'elenco potrebbero essere inclusi nell'imballaggio dell'utensile come accessori standard. Tali articoli potrebbero variare da nazione a nazione.

## WAARSCHUWING

Dit apparaat mag worden gebruikt door kinderen van 8 jaar en ouder of door personen met beperkte fysieke, zintuiglijke of verstandelijke vermogens of gebrek aan ervaring of kennis van zaken, maar alleen onder toezicht of na instructie in veilig gebruik van het apparaat, met begrip van de eventuele risico's. Kinderen mogen niet met het apparaat spelen. Reinigen en onderhoud van het apparaat mag niet door kinderen worden verricht, tenzij onder toezicht.

## TECHNISCHE GEGEVENS

Model:		DCL184
Inhoud	met een stoffen stofzak	500 ml
	met een papieren stofzak	330 ml
Continu gebruik (met accu BL1830B)	1 (stand voor normale snelheid)	Ong. 80 min
	2 (stand voor hoge snelheid)	Ong. 30 min
	3 (stand voor maximale snelheid)	Ong. 20 min
Totale lengte (met accu BL1830B)		365 mm
Nominale spanning		18 V gelijkspanning
Nettogewicht		1,8 - 2,2 kg

- In verband met ononderbroken research en ontwikkeling, behouden wij ons het recht voor de bovenstaande technische gegevens zonder voorafgaande kennisgeving te wijzigen.
- De technische gegevens kunnen van land tot land verschillen.
- Het gewicht is exclusief bijgeleverde accessoires, maar inclusief de accu('s). Het laagste en hoogste gecombineerde gewicht van het apparaat en de accu('s) wordt vermeld in de tabel.

### Toepasselijke accu's en laders

Accu	BL1815N / BL1820 / BL1820B / BL1830 / BL1830B / BL1840 / BL1840B / BL1850 / BL1850B / BL1860B
Lader	DC18RC / DC18RD / DC18RE / DC18SD / DC18SE / DC18SF / DC18SH

- Sommige van de hierboven vermelde accu's en laders zijn mogelijk niet leverbaar afhankelijk van waar u woont.

**⚠ WAARSCHUWING:** Gebruik uitsluitend de accu's en laders die hierboven worden genoemd. Gebruik van enige andere accu of lader kan leiden tot letsel en/of brand.

### Symbolen

Hieronder staan de symbolen die voor het gereedschap kunnen worden gebruikt. Zorg ervoor dat u de betekenis ervan kent voordat u het gereedschap gaat gebruiken.



Lees de gebruiksaanwijzing.



Alleen voor EU-landen  
Geef elektrisch gereedschap en accu's niet met het huisvuil mee! Volgens de Europese richtlijn inzake oude elektrische en elektronische apparaten, en inzake batterijen en accu's en oude batterijen en accu's, en de toepassing daarvan binnen de nationale wetgeving, dienen elektrisch gereedschap, accu('s) en batterijen die het einde van hun levensduur hebben bereikt, gescheiden te worden ingezameld en te worden afgevoerd naar een recyclebedrijf dat voldoet aan de geldende milieu-eisen.



## Gebruiksdoeleinden

Het gereedschap is bedoeld om droog stof te verzamelen.

# VEILIGHEIDSWAARSCHUWINGEN

## Veiligheidswaarschuwingen voor accustofzuigers

**⚠ WAARSCHUWING: BELANGRIJK! LEES VÓÓR GEBRUIK alle veiligheidswaarschuwingen en alle instructies ZORGVULDIG DOOR.** Het niet volgen van de waarschuwingen en instructies kan leiden tot elektrische schokken, brand en/of ernstig letsel.

1. Stel niet bloot aan regen. Bewaar binnenshuis.
2. Sta niet toe dat ermee gespeeld wordt. Let goed op bij gebruik door of in de buurt van kinderen.
3. Gebruik uitsluitend zoals beschreven in deze gebruiksaanwijzing. Gebruik uitsluitend hulpstukken aanbevolen door de fabrikant.
4. Gebruik nooit met een beschadigde accu. Als het apparaat niet werkt zoals het zou moeten werken, is gevallen, is beschadigd, buiten heeft gelegen of in het water is gevallen, stuurt u het terug naar een servicecentrum.
5. Hanteer het apparaat niet met natte handen.
6. Steek geen voorwerpen in de openingen. Gebruik het apparaat niet wanneer een opening verstopt zit, houd het apparaat vrij van stof, pluizen, haar en alles wat de luchtdoorstroming kan hinderen.
7. Houd haar, loshangende kleding, vingers en alle lichaamsdelen uit de buurt van de openingen en bewegende delen.
8. Schakel alle bedieningselementen uit alvorens de accu eraf te halen.
9. Wees extra voorzichtig bij het stofzuigen op een trap.
10. Zuig geen ontvlambare of brandbare vloeistoffen, zoals benzine, op en gebruik het apparaat niet op plaatsen waar deze aanwezig kunnen zijn.
11. Gebruik voor het opladen uitsluitend de acculader die door de fabrikant werd geleverd.
12. Zuig niets op dat brandt of rookt, zoals sigaretten, lucifers of hete as.
13. Gebruik het apparaat niet zonder dat de stofzak en/of filters zijn aangebracht.
14. Laad de accu niet buitenshuis op.
15. Laad uitsluitend op met de acculader die wordt gespecificeerd door de fabrikant. Een acculader die geschikt is voor een bepaald type accu, kan brandgevaar opleveren indien gebruikt met een ander type accu.
16. Gebruik elektrisch gereedschap uitsluitend met de daarvoor bestemde accu. Gebruik van andere accu's kan gevaar voor letsel of brandgevaar opleveren.

17. Als de accu niet wordt gebruikt, houdt u deze uit de buurt van metalen voorwerpen zoals paperclips, muntgeld, sleutels, spijkers, schroeven en andere kleine metalen voorwerpen die een kortsluiting kunnen veroorzaken tussen de accupolen.
18. Onder zware gebruiksomstandigheden kan vloeistof uit de accu komen. Voorkom aanraking. Als aanraking per ongeluk zich voordoet, spoelt u met water.
19. Gebruik geen accu of gereedschap dat beschadigd of gewijzigd is. Beschadigde of gewijzigde accu's kunnen onvoorspelbaar gedrag vertonen dat kan leiden tot brand, explosie of gevaar van letsel.
20. Stel een accu of gereedschap niet bloot aan vuur of buitensporige temperaturen. Blootstelling aan vuur of temperaturen hoger dan 130 °C kunnen een explosie veroorzaken.
21. Volg alle oplaadinstructies en laad de accu of het gereedschap niet op buiten het temperatuurbereik opgegeven in de instructies. Verkeerd opladen of bij een temperatuur buiten het opgegeven bereik kan de accu beschadigen en de kans op brand vergroten.

## BEWAAR DEZE INSTRUCTIES.

### AANVULLENDE VEILIGHEIDSVORSCHRIFTEN

Dit apparaat is bedoeld voor huishoudelijk gebruik.

1. Lees deze gebruiksaanwijzing en die van de acculader voor gebruik aandachtig door.
2. Zuig de volgende stoffen niet op:
  - Hete stoffen, zoals brandende sigaretten of gloeiend hete metaaldeeltjes veroorzaakt door het schuren/slijpen van metaal
  - Brandbare stoffen, zoals benzine, thinner, wasbenzine, kerosine of verf
  - Explosieve stoffen, zoals nitroglycerine
  - Ontvlambare stoffen, zoals aluminium, zink, magnesium, titanium, fosfor of celluloid
  - Nat vuil, water, olie en dergelijk
  - Harde stukjes met scherpe randen, zoals houtsnippers, metaaldeeltjes, steentjes, glasstukjes, spijkers, punaises of scheermesjes
  - Poeder dat klontert, zoals cement of toner
  - Geleidend stof, zoals metaalvijzel of koolstofpoeder
  - Zeer fijn stof, zoals cementpoederEen dergelijk gebruik kan leiden tot brand, persoonlijk letsel en/of materiële schade.
3. Stop onmiddellijk met het gebruik als u iets abnormaals opmerkt.
4. Als u de stofzuiger laat vallen of ergens tegenaan stoot, controleert u zorgvuldig op barsten of beschadigingen voordat u deze weer gebruikt.
5. Houd uit de buurt van fornuizen en verwarmingsbronnen.
6. Blokkeer de inlaatopening en de ventilatieopeningen niet.

## BEWAAR DEZE INSTRUCTIES.

## Belangrijke veiligheidsinstructies voor een accu

1. Lees alle voorschriften en waarschuwingen op (1) de acculader, (2) de accu, en (3) het product waarvoor de accu wordt gebruikt, alvorens de accu in gebruik te nemen.
2. Haal de accu niet uit elkaar en saboteer hem niet. Dit kan leiden tot brand, buitensporige hitte of een explosie.
3. Als de gebruiktijd van een opgeladen accu aanzienlijk korter is geworden, moet u het gebruik ervan onmiddellijk stopzetten. Voortgezet gebruik kan oververhitting, brandwonden en zelfs een ontploffing veroorzaken.
4. Als elektrolyt in uw ogen is terechtgekomen, spoelt u uw ogen met schoon water en roept u onmiddellijk de hulp van een dokter in. Elektrolyt in de ogen kan blindheid veroorzaken.
5. Voorkom kortsluiting van de accu:
  - (1) Raak de accuklemmen nooit aan met een geleidend materiaal.
  - (2) Bewaar de accu niet in een bak waarin andere metalen voorwerpen zoals spijkers, munten e.d. worden bewaard.
  - (3) Stel de accu niet bloot aan water of regen. Kortsluiting van de accu kan oorzaak zijn van een grote stroomafgifte, oververhitting, brandwonden, en zelfs defecten.
6. Bewaar en gebruik het gereedschap en de accu niet op plaatsen waar de temperatuur kan oplopen tot 50 °C of hoger.
7. Werp de accu nooit in het vuur, ook niet wanneer hij zwaar beschadigd of volledig versleten is. De accu kan ontploffen in het vuur.
8. Laat de accu niet vallen, sla er geen spijker in, snijd er niet in, gooi er niet mee en stoot hem niet tegen een hard voorwerp. Dergelijke handelingen kunnen leiden tot brand, buitensporige hitte of een explosie.
9. Gebruik nooit een beschadigde accu.
10. De bijgeleverde lithium-ionbatterijen zijn onderhevig aan de vereisten in de wetgeving omtrent gevaarlijke stoffen.

Voor commercieel transport en dergelijke door derden en transporteurs moeten speciale vereisten ten aanzien van verpakking en etikettering worden nageleefd.

Als voorbereiding van het artikel dat wordt getransporteerd is het noodzakelijk een expert op het gebied van gevaarlijke stoffen te raadplegen. Houd u tevens aan mogelijk strengere nationale regelgeving.

Blootliggende contactpunten moeten worden afgedekt met tape en de accu moet zodanig worden verpakt dat deze niet kan bewegen in de verpakking.
11. Wanneer u de accu wilt weggoaien, verwijdert u de accu vanaf het gereedschap en gooit u hem op een veilige manier weg. Volg bij het weggoaien van de accu de plaatselijke voorschriften.
12. Gebruik de accu's uitsluitend met de gereedschappen die door Makita zijn aanbevolen. Als de accu's worden aangebracht in niet-compatibele gereedschappen, kan dat leiden tot brand, buitensporige warmteontwikkeling, een explosie of lekkage van elektrolyt.
13. Als u het gereedschap gedurende een lange tijd niet denkt te gaan gebruiken, moet de accu vanaf het gereedschap worden verwijderd.
14. Tijdens en na gebruik, kan de accu heet worden waardoor brandwonden of koude brandwonden kunnen worden veroorzaakt. Wees voorzichtig bij het hanteren van een hete accu.
15. Raak de aansluitpunten van het gereedschap niet onmiddellijk na gebruik aan omdat deze heet genoeg kunnen zijn om brandwonden te veroorzaken.
16. Zorg ervoor dat geen steenslag, stof of grond vast komt te zitten op/in de aansluitpunten, openingen en groeven van de accu. Dit kan leiden tot slechte prestaties of een defect van het gereedschap of de accu.
17. Behalve indien gebruik van het gereedschap is toegestaan in de buurt van hoogspanningsleidingen, mag u de accu niet gebruiken in de buurt van een hoogspanningsleiding. Dit kan leiden tot een storing of een defect van het gereedschap of de accu.
18. Houd de accu uit de buurt van kinderen.

### BEWAAR DEZE INSTRUCTIES.

**⚠ LET OP:** Gebruik uitsluitend originele Makita accu's. Het gebruik van niet-originele accu's, of accu's die zijn gewijzigd, kan ertoe leiden dat de accu ontploft en brand, persoonlijk letsel en schade veroorzaakt. Ook vervalt daarmee de garantie van Makita op het gereedschap en de lader van Makita.

### Tips voor een maximale levensduur van de accu

1. Laad de accu op voordat hij volledig ontladen is. Stop het gebruik van het gereedschap en laad de accu op telkens wanneer u vaststelt dat het vermogen van het gereedschap is afgenomen.
2. Laad een volledig opgeladen accu nooit opnieuw op. Te lang opladen verkort de levensduur van de accu.
3. Laad de accu op bij een omgevingstemperatuur tussen 10°C en 40°C. Laat een warme accu afkoelen alvorens hem op te laden.
4. Als de accu niet wordt gebruikt, verwijderd u hem vanaf het gereedschap of de lader.
5. Laad de accu op als u deze gedurende een lange tijd (meer dan zes maanden) niet gaat gebruiken.

# BESCHRIJVING VAN DE FUNCTIES

**⚠ LET OP:** Zorg altijd dat het gereedschap is uitgeschakeld en de accu ervan is verwijderd alvorens de functies op het gereedschap af te stellen of te controleren.

**⚠ LET OP:** Wees voorzichtig dat uw vinger(s) niet bekneld raken tussen de stofzuiger en de accu tijdens het aanbrengen van de accu. Bekneld vinger(s) kunnen tot letsel leiden.

## De accu aanbrengen en verwijderen

**⚠ LET OP:** Schakel het gereedschap altijd uit voordat u de accu aanbrengt of verwijdert.

**⚠ LET OP:** Houd het gereedschap en de accu stevig vast tijdens het aanbrengen of verwijderen van de accu. Als u het gereedschap en de accu niet stevig vasthoudt, kunnen deze uit uw handen glijpen en het gereedschap of de accu beschadigen, of kan persoonlijk letsel worden veroorzaakt.

► Fig.1: 1. Rood deel 2. Knop 3. Accu

Om de accu te verwijderen verschuift u de knop aan de voorkant van de accu en schuift u tegelijkertijd de accu uit het gereedschap.

Om de accu aan te brengen lijnt u de lip op de accu uit met de groef in de behuizing en duwt u de accu op zijn plaats. Steek de accu zo ver mogelijk in het gereedschap tot u een klikgeluid hoort. Als u het rode deel aan de bovenkant van de knop kunt zien, is de accu niet goed aangebracht.

**⚠ LET OP:** Breng de accu altijd helemaal aan totdat het rode deel niet meer zichtbaar is. Als u dit niet doet, kan de accu per ongeluk uit het gereedschap vallen en u of anderen in uw omgeving verwonden.

**⚠ LET OP:** Breng de accu niet met kracht aan. Als de accu niet gemakkelijk in het gereedschap kan worden geschoven, wordt deze niet goed aangebracht.

## Gereedschap-/accubeveiligingssysteem

Het gereedschap is uitgerust met een gereedschap-/accubeveiligingssysteem. Dit systeem sluit automatisch de voeding naar de motor af om de levensduur van het gereedschap en de accu te verlengen.

Het gereedschap zal tijdens gebruik automatisch stoppen wanneer het gereedschap of de accu zich in een van de volgende omstandigheden bevindt. Onder bepaalde omstandigheden gaat het indicatorlampje branden.

► Fig.2: 1. Indicatorlampje

## Overbelastingsbeveiliging

Wanneer het gereedschap wordt gebruikt op een manier waardoor een abnormaal hoge stroom wordt getrokken, stopt het gereedschap automatisch en brandt het indicatorlampje gedurende 60 seconden. In die situatie schakelt u het gereedschap uit en stopt u de toepassing die ertoe leidde dat het gereedschap overbelast raakte. Schakel vervolgens het gereedschap in om het weer te starten.

## Oververhittingsbeveiliging

Wanneer het gereedschap/de accu oververhit is, stopt het gereedschap automatisch en brandt de accu-indicator gedurende ongeveer 60 seconden. Het gereedschap start niet, ook niet wanneer u het gereedschap inschakelt. Laat in dat geval de accu afkoelen voordat u het gereedschap weer inschakelt.

## Overontladingsbeveiliging

Als de resterende acculading laag wordt, knippert de indicator. Bij verder gebruik stopt het gereedschap en brandt het indicatorlampje gedurende ongeveer 60 seconden. Als u het gereedschap inschakelt, draait de motor wel maar stopt kort daarna. Laad in dat geval de accu op.

**OPMERKING:** Het moment waarop de lamp gaat branden is afhankelijk van de temperatuur op de werkplek en de toestand van de accu.

## De resterende acculading controleren

**Alleen voor accu's met indicatorlampjes**

► Fig.3: 1. Indicatorlampjes 2. Testknop

Druk op de testknop op de accu om de resterende acculading te zien. De indicatorlampjes branden gedurende enkele seconden.

Indicatorlampjes			Resterende acculading
Brandt	Uit	Knippert	
■	□	▩	75% tot 100%
■	■	□	50% tot 75%
■	□	□	25% tot 50%
■	□	□	0% tot 25%
▩	□	□	Laad de accu op.
■	■	□	Er kan een storing zijn opgetreden in de accu.
□	□	■	

**OPMERKING:** Afhankelijk van de gebruiksomstandigheden en de omgevingstemperatuur, is het mogelijk dat de aangegeven acculading verschilt van de werkelijke acculading.

## De trekkerschakelaar gebruiken

► Fig.4: 1. AAN-/snelheidsinstelknop 2. UIT-knop

Om de stofzuiger in te schakelen, drukt u gewoon op de AAN-/snelheidsinstelknop. Om uit te schakelen, drukt u op de UIT-knop. U kunt de snelheid van de stofzuiger in drie standen instellen door op de AAN-/snelheidsinstelknop te drukken. Na de eerste druk op deze knop staat de stofzuiger in de stand voor hoge snelheid, na de tweede druk staat hij in de stand voor maximale snelheid, en na de derde druk in de stand voor normale snelheid. Bij elke druk op deze knop wordt de hoog/maximaal/normaal-cyclus stapsgewijs doorlopen.

# MONTAGE

**⚠ LET OP:** Zorg altijd dat het gereedschap is uitgeschakeld en de accu ervan is verwijderd alvorens enig werk aan het gereedschap uit te voeren.

## Stoffen stofzak en papieren stofzak

Breng de stoffen stofzak of papieren stofzak aan voordat u de stofzuiger gebruikt.

Gebruik de stofstopper wanneer de stoffen stofzak of papieren stofzak wordt aangebracht.

De stoffen stofzak kan veel keren worden hergebruikt door hem leeg te maken.

De papieren stofzak is voor eenmalig gebruik. Wanneer de papieren stofzak vol is, gooit u hem in zijn geheel weg zonder hem leeg te maken.

**KENNISGEVING:** Om te voorkomen dat stof in de motor kan binnendringen:

- Zorg ervoor dat vóór gebruik de stoffen stofzak of papieren stofzak is aangebracht.
- Plaats de stofstopper tezamen met de stoffen stofzak of papieren stofzak helemaal in de sleuven wanneer u ze aanbrengt.
- Gebruik geen kapotte of gescheurde stofzak.

Anders kan de motor defect raken.

**KENNISGEVING:** Vouw het karton niet bij de opening wanneer u de papieren stofzak aanbrengt.

**KENNISGEVING:** Gooi de stofstopper nooit weg want deze moet herhaaldelijk worden gebruikt wanneer de stoffen stofzak of papieren stofzak wordt gebruikt.

**KENNISGEVING:** De papieren stofzak van de stofzuiger vormt een belangrijk onderdeel bij het behouden van de prestaties. Als een andere dan de originele papieren stofzak wordt gebruikt, kan dat leiden tot rook of ontbranding.

## Een stoffen stofzak aanbrengen

Gebruik de stofstopper wanneer de stoffen stofzak wordt aangebracht. Let erop de bovenkant niet per ongeluk te verwisselen met de onderkant omdat deze niet hetzelfde zijn.

- **Fig.5:** 1. Bovenkant van de stofstopper  
2. Onderkant van de stofstopper

1. Steek het uitsteeksel van de stoffen stofzak in de gleuf van de stofstopper, zoals aangegeven in de afbeelding.

Er is geen verschil tussen de bovenkant en onderkant van de stoffen stofzak. U kunt het uitsteeksel van elk van de kanten in de gleuf van de stofstopper steken.

- **Fig.6:** 1. Stofstopper 2. Gleuf 3. Stoffen stofzak

2. Leg het frame van de stofstopper tegen dat van de stoffen stofzak.

- **Fig.7**

3. Plaats de stofstopper en de stoffen stofzak tezamen in de stofzakruimte in de stofzuiger in dezelfde richting als de pijl op de stofstopper. Steek ze volledig in de gleuven in de stofzakruimte in de stofzuiger.

- **Fig.8:** 1. Gleuf

4. Plaats het gehele stoffen deel van de stoffen stofzak in de stofzuiger zelf.

- **Fig.9**

5. Sluit de afdekking van de stofzakruimte volledig.

- **Fig.10:** 1. Afdekking van de stofzakruimte

**OPMERKING:** Als de stoffen stofzak niet in de stofzuiger is aangebracht, kan de afdekking van de stofzakruimte niet volledig worden gesloten.

## Een papieren stofzak aanbrengen

Gebruik de stofstopper ook wanneer een papieren stofzak wordt aangebracht. Let erop de bovenkant niet per ongeluk te verwisselen met de onderkant omdat deze niet hetzelfde zijn.

- **Fig.11:** 1. Bovenkant van de stofstopper  
2. Onderkant van de stofstopper

1. Vouw de ingang van de papieren stofzak open voordat u hem aan de stofstopper bevestigt.

- **Fig.12**

2. Steek het uitsteeksel van de papieren stofzak in de gleuf van de stofstopper, zoals aangegeven in de afbeelding.

Er is geen verschil tussen de bovenkant en onderkant van de papieren stofzak. U kunt het uitsteeksel van elk van de kanten in de gleuf van de stofstopper steken.

- **Fig.13:** 1. Stofstopper 2. Gleuf 3. Papieren stofzak

3. Leg het frame van de stofstopper tegen dat van de papieren stofzak.

- **Fig.14**

4. Plaats de stofstopper en de papieren stofzak tezamen in de stofzakruimte in de stofzuiger in dezelfde richting als de pijl op de stofstopper. Steek ze volledig in de gleuven in de stofzakruimte in de stofzuiger.

- **Fig.15:** 1. Gleuf

5. Plaats het gehele zak-deel van de papieren stofzak in de stofzuiger zelf.

- **Fig.16**

6. Sluit de afdekking van de stofzakruimte volledig.

- **Fig.17:** 1. Afdekking van de stofzakruimte

**OPMERKING:** Als de papieren stofzak niet in de stofzuiger is aangebracht, kan de afdekking van de stofzakruimte niet volledig worden gesloten.

## De schouderriem bevestigen

**⚠ LET OP:** Wees voorzichtig dat de schouderriem niet vast blijft haken achter voorwerpen in uw omgeving.

**⚠ LET OP:** Wees voorzichtig dat de schouderriem niet van uw schouder afglijdt tijdens het gebruik van de stofzuiger. Voor een stabiele hantering van de stofzuiger adviseren wij u de schouderriem diagonaal over uw borst te dragen.

Bevestig de haken van de schouderriem aan de bevestigingspunten op het gereedschap, zoals aangegeven in de afbeelding.

- **Fig.18:** 1. Schouderriem 2. Haak  
3. Bevestigingspunt

**OPMERKING:** U kunt de schouderriem ook aan de zachte tas (optioneel accessoire) bevestigen, zoals aangegeven in de afbeelding.

- **Fig.19:** 1. Schouderriem 2. Zachte tas

## BEDIENING

**⚠ALLET OP:** Houd altijd de handgreep vast wanneer u de stofzuiger draagt. Als u het hulpstuk-deel vasthoudt bij het dragen, kan dit losraken van de stofzuiger en leiden tot persoonlijk letsel.

**⚠ALLET OP:** Gebruik het gereedschap niet terwijl u auto rijdt of terwijl de motor draait.

**⚠ALLET OP:** Pak niet het slangkoppelstuk vast, zoals aangegeven in de afbeelding. Als u het slangkoppelstuk vasthoudt, kunnen uw vingers bekneld raken.

- **Fig.20:** 1. Slangkoppelstuk

## Gebruik als stofzuiger

**OPMERKING:** Verwijder het blazerhulpstuk voordat u gaat stofzuigen. Als het blazerhulpstuk is aangebracht op de stofzuiger, zal de zuigkracht lager zijn.

## De hulpstukken van de stofzuiger aanbrengen en verwijderen

Om een accessoire, zoals een mondstuk, aan te brengen, steekt u dit stevig in de slang en verdraait u hem. Om hem los te koppelen, verdraait u hem en trekt u hem eraf.

De manier van aanbrengen varieert, afhankelijk van het mondstuk, zoals afgebeeld.

- **Fig.21:** 1. Slang 2. Rubber mondstuk 3. Zachte borstel 4. Stoelmondstuk 5. Matmondstuk

## Stofzuigen

### Rubber mondstuk

Dit mondstuk is handig voor het stofzuigen in kleine hoekjes, zoals bij een deur. Het rubber mondstuk is zacht voor het te stofzuigen oppervlak.

- **Fig.22:** 1. Rubber mondstuk

### Zachte borstel

Dit mondstuk is handig voor het stofzuigen van de luchtroosters van een airconditioner, het dashboard, enz. De kop van de zachte borstel kan worden gedraaid naar een haakse stand.

- **Fig.23:** 1. Zachte borstel

### Stoelmondstuk

Dit mondstuk heeft een pluiskorrel voor het stofzuigen van stoelbekleding. De zijborstel op het mondstuk is handig voor het wegborstelen van stof uit de naden.

- **Fig.24:** 1. Stoelmondstuk 2. Zijborstel

### Matmondstuk

Dit mondstuk wordt gebruikt voor het stofzuigen van vloermatten en tapijt. De tanden op het mondstuk krabben de zandkorrels eruit.

- **Fig.25:** 1. Matmondstuk

**KENNISGEVING:** Gebruik altijd het matmondstuk voor het stofzuigen van een mat. Als u het matmondstuk gebruikt voor andere materialen, kan het oppervlak ervan worden bekrast.

## Stofzuigen zonder mondstuk

U kunt stofzuigen zonder een mondstuk te gebruiken.

- **Fig.26**

## Het stof weggoien

**⚠ALLET OP:** Leeg de stoffen stofzak of vervang de papieren stofzak voordat deze vol raakt. Anders zal de zuig-/blaaskracht afnemen.

**⚠ALLET OP:** Let bij het sluiten van de afdekking van de stofzakruimte erop dat uw vingers niet bekneld raken.

**KENNISGEVING:** Gooi de stofstopper nooit weg want deze moet worden gebruikt wanneer de stoffen stofzak of papieren stofzak wordt gebruikt.

**KENNISGEVING:** Als de stoffen/papieren stofzak niet in de stofzuiger is aangebracht, kan de afdekking van de stofzakruimte niet volledig worden gesloten. Probeer niet de afdekking van de stofzakruimte met kracht te sluiten. Dit kan leiden tot vervorming of beschadiging ervan.

**KENNISGEVING:** Wanneer u het stof weggooit, maakt u tevens de stoffen/papieren-stofzakruimte schoon. Door het stof en vuil dat in de ruimte is achtergebleven, kan het sponsfilter verstopt raken of de motor beschadigd raken.

1. Open de afdekking van de stofzakruimte.

- **Fig.27:** 1. Afdekking van de stofzakruimte

2. Trek de oranje stofstopper en de stoffen/papieren stofzak tezamen er tegelijkertijd uit.

- **Fig.28:** 1. Stofstopper

3. Bij gebruik van een stoffen stofzak

Verwijder de stofstopper en leeg de stoffen stofzak.

- **Fig.29:** 1. Stofstopper 2. Stoffen stofzak

### Bij gebruik van een papieren stofzak

Verwijder de stofstopper en gooi de papieren stofzak weg.

- **Fig.30:** 1. Stofstopper 2. Papieren stofzak

4. Breng de stoffen stofzak/nieuwe papieren stofzak en de stofstopper tezamen aan in de stofzuiger en sluit de afdekking van de stofzakruimte.

## Gebruik als blazer

**⚠ LET OP:** Richt het mondstuk nooit op iemand in de buurt.

**⚠ LET OP:** Om te voorkomen dat u stof inademt, adviseren wij u tijdens gebruik de ramen open te zetten en tevens een veiligheidsbril en een stofmasker te dragen.

**⚠ LET OP:** Trek niet aan het blazerhulpstuk. Het kan losraken van de stofzuiger.

**⚠ LET OP:** Gebruik de stofzuiger niet voor het opblazen van voorwerpen, zoals rubberboten, ballen of andere opblaasbare producten. Door een toegenomen motortoerental kan de ventilator gevaarlijk afbreken.

**⚠ LET OP:** Blokkeer de aanzuigopening en/of uitblaasopening nooit. Wees voorzichtig dat de aanzuigopening of uitblaasopening niet verstopt raken met stof of vuil tijdens gebruik op een stoffige plaats.

**⚠ LET OP:** Gebruik geen andere mondstukken dan die worden aanbevolen door Makita.

## Het blazerhulpstuk aanbrengen en verwijderen

Om het blazerhulpstuk aan te brengen, lijnt u het uitsteeksel op de aansluitopening van het blazerhulpstuk uit met de groef op de luchtuitstroomopening en duwt u deze op elkaar totdat ze vastklikken.

► Fig.31: 1. Blazerhulpstuk

Om het blazerhulpstuk te verwijderen, trekt u de aansluitopening omlaag terwijl u op de bovenkant ervan drukt, zoals aangegeven in de afbeelding.

► Fig.32

## Blazen

Richt het uiteinde van het blazerhulpstuk op het voorwerp dat u wilt wegblazen en schakel het gereedschap in.

► Fig.33

## ONDERHOUD

**⚠ LET OP:** Zorg altijd dat het gereedschap is uitgeschakeld en de accu ervan is verwijderd alvorens te beginnen met onderhoud of inspectie.

**KENNISGEVING:** Gebruik nooit benzine, wasbenzine, thinner, alcohol en dergelijke. Hierdoor kunnen verkleuring, vervormingen en barsten worden veroorzaakt.

Om de VEILIGHEID en BETROUWBAARHEID van het gereedschap te handhaven, dienen alle reparaties, onderhoud of afstellingen te worden uitgevoerd bij een erkend Makita-servicecentrum of de Makita-fabriek, en altijd met gebruik van Makita-ervangingsonderdelen.

## Schoonmaken

Veeg regelmatig de buitenkant (behuizing) van de stofzuiger schoon met een in zeepwater bevochtigde doek. Maak tevens de stofzuigermond, de bevestigingsplaats van de stoffen/papieren stofzak en de stofstopper schoon.

► Fig.34

Was de stoffen stofzak in zeepwater als deze verstopt zit met stof en de zuigkracht van de stofzuiger is afgenomen. Droog het goed alvorens weer te gebruiken. Een onvoldoende droog filter kan leiden tot slecht zuigen en kan de levensduur van de motor verkorten.

► Fig.35

**OPMERKING:** De papieren stofzak is voor eenmalig gebruik.

Wanneer het sponsfilter verstopt is met stof, verwijdert u het uit de stofzuiger en veegt u het af of wast u het in water.

## Het sponsfilter verwijderen en aanbrengen

**⚠ LET OP:** Nadat het sponsfilter is gereinigd, vergeet u niet het in de stofzuiger aan te brengen. Indien gewassen in water, droogt u het voordat u het aanbrengt. Een onvoldoende gedroogd sponsfilter kan de levensduur van de motor verkorten.

Om het sponsfilter te verwijderen, verwijdert u de stoffen stofzak of papieren stofzak, neemt u het tussen uw vingers en trekt u het eruit.

► Fig.36: 1. Sponsfilter

Druk de hele rand van het sponsfilter tegen de achterwand binnenin de ruimte voor de stoffen/papieren stofzak.

► Fig.37: 1. Achterwand

## Bewaren

**⚠ WAARSCHUWING:** Laat de accu en acculader nooit achter in een auto. De temperatuur binnenin een auto die in de zon geparkeerd staat kan oplopen tot boven 50 °C. Hierdoor kan de accu kapot gaan waardoor vloeistof kan gaan lekken, rook kan worden uitgestoten of een brand kan ontstaan.

► Fig.38

**⚠ WAARSCHUWING:** Gebruik de acculader nooit terwijl deze is opgeborgen in de opbergtas. Door de luchtroosters te blokkeren kan rook worden uitgestoten of een brand ontstaan.

► Fig.39

**⚠ WAARSCHUWING:** Laad de accu nooit op met de omvormer van het voertuig. Hierdoor kan abnormale hitte worden gegenereerd en brand worden veroorzaakt.

**⚠ WAARSCHUWING:** Laad de accu nooit op in een auto. Als de accu wordt blootgesteld aan een temperatuur buiten het bereik van 10 °C tot en met 40 °C, kan hij warmte genereren en/of brand veroorzaken of exploderen.

**⚠ LET OP:** Wanneer de stofzuiger niet wordt gebruikt, bergt u de slang altijd op zoals afgebeeld om te voorkomen dat u erover struikelt. Een losliggende slang kan achter uw voet blijven haken en persoonlijk letsel veroorzaken.

► Fig.40: 1. Haak 2. Slang

## Problemen oplossen

Alvorens om reparatie te verzoeken, controleert u de volgende punten.

Symptoom	Mogelijke oorzaak	Mogelijke oplossing
Geringe zuigkracht	Zit de stoffen stofzak of papieren stofzak vol stof?	Maak de stoffen stofzak of papieren stofzak leeg.
	Is de stoffen stofzak verstopt?	Klop de stoffen stofzak uit of was hem in water.
	Is de papieren stofzak verstopt?	Vervang de papieren stofzak.
	Is de accu leeg?	Laad de accu op.
Apparaat werkt niet	Is de accu leeg?	Laad de accu op.
De afdekking van de stofzakruimte kan niet worden gesloten.	Is de stoffen stofzak of papieren stofzak aangebracht?	Bring de stoffen stofzak of papieren stofzak aan.

**KENNISGEVING:** Probeer de stofzuiger niet zelf te repareren.

## OPTIONELE ACCESSOIRES

**⚠ LET OP:** Deze accessoires of hulpstukken worden aanbevolen voor gebruik met het Makita gereedschap dat in deze gebruiksaanwijzing is beschreven. Bij gebruik van andere accessoires of hulpstukken bestaat het gevaar van persoonlijke letsel. Gebruik de accessoires of hulpstukken uitsluitend voor hun bestemde doel.

Wenst u meer bijzonderheden over deze accessoires, neem dan contact op met het plaatselijke Makita-servicecentrum.

- Verlengbuis (rechte buis)
- Mondstuk
- Mondstuk voor tapijt
- Boekenplankborstel
- Hoekmondstuk
- Ronde borstel
- Flexibele slang
- Papieren stofzak
- Vrij mondstuk
- Stoelmondstuk
- Spleetmondstuk
- Cycloonhulpstuk
- Stoffen stofzak
- Geavanceerde stoffen stofzak
- Zachte tas
- Originele Makita accu's en acculaders

**OPMERKING:** Sommige items op de lijst kunnen zijn inbegrepen in de doos van het gereedschap als standaard toebehoren. Deze kunnen van land tot land verschillen.

## ADVERTENCIA

Este aparato puede ser utilizado por niños de 8 o más años de edad y personas con capacidades físicas, sensoriales o mentales mermadas, o sin experiencia y conocimiento, si han recibido supervisión o instrucción para el uso del aparato de forma segura y son conscientes del peligro que implica. Los niños no deben jugar con el aparato. La limpieza y mantenimiento que debe hacer el usuario no deben ser realizados por niños sin supervisión.

## ESPECIFICACIONES

Modelo:		DCL184
Capacidad	con una bolsa de polvo	500 ml
	con un filtro de papel	330 ml
Uso continuo (con batería BL1830B)	1 (Modo de velocidad normal)	Aprox. 80 min.
	2 (Modo de velocidad alta)	Aprox. 30 min.
	3 (Modo de velocidad máxima)	Aprox. 20 min.
Longitud total (con batería BL1830B)		365 mm
Tensión nominal		CC 18 V
Peso neto		1,8 - 2,2 kg

- Debido a nuestro continuado programa de investigación y desarrollo, las especificaciones aquí dadas están sujetas a cambios sin previo aviso.
- Las especificaciones pueden ser diferentes de país a país.
- El peso no incluye accesorios excepto el cartucho(s) de batería. El peso de las combinaciones menos pesada y más pesada del aparato y cartucho(s) de batería se muestra en la tabla.

### Cartucho de batería y cargador aplicables

Cartucho de batería	BL1815N / BL1820 / BL1820B / BL1830 / BL1830B / BL1840 / BL1840B / BL1850 / BL1850B / BL1860B
Cargador	DC18RC / DC18RD / DC18RE / DC18SD / DC18SE / DC18SF / DC18SH

- Algunos de los cartuchos de batería y cargadores indicados arriba puede que no estén disponibles dependiendo de su región de residencia.

**⚠ ADVERTENCIA:** Utilice solamente los cartuchos de batería y cargadores listados arriba. La utilización de cualquier otro cartucho de batería y cargador puede ocasionar heridas y/o un incendio.

### Símbolos

A continuación se muestran los símbolos que pueden ser utilizados para el equipo. Asegúrese de que entiende su significado antes de utilizar.



Lea el manual de instrucciones.



Sólo para países de la Unión Europea  
 ¡No deseche los aparatos eléctricos o baterías junto con los residuos domésticos! De conformidad con las Directivas Europeas, sobre residuos de equipos eléctricos y electrónicos y baterías y acumuladores y residuos de baterías y acumuladores y su aplicación de acuerdo con la legislación nacional, los aparatos eléctricos y pilas y baterías cuya vida útil haya llegado a su fin deberán ser recogidos por separado y trasladados a una planta de reciclaje que cumpla con las exigencias ecológicas.



## Uso previsto

La herramienta ha sido prevista para recoger polvo seco.

## ADVERTENCIAS DE SEGURIDAD

### Advertencias de seguridad para la aspiradora inalámbrica

**⚠️ ADVERTENCIA: ¡IMPORTANTE! LEA CON ATENCIÓN todas las advertencias de seguridad y todas las instrucciones ANTES DE UTILIZAR.**  
No seguir las advertencias e instrucciones puede resultar en una descarga eléctrica, un incendio y/o heridas graves.

1. No exponga el aparato a la lluvia. Almacene el aparato en interiores.
2. No permita que el aparato sea utilizado como juguete. Es necesario prestar mucha atención cuando el aparato sea utilizado por niños o cerca de ellos.
3. Utilice el aparato solamente de la forma descrita en este manual. Utilice solamente los accesorios recomendados por el fabricante.
4. No utilice el aparato con una batería dañada. Si el aparato no está funcionando como es debido, si se ha dejado caer, se ha dañado, se ha dejado en exteriores, o se ha caído al agua, llévelo a un centro de servicio.
5. No maneje el aparato con las manos mojadas.
6. No ponga ningún objeto dentro de las aberturas. No utilice el aparato con ninguna de sus aberturas bloqueada; manténgalo libre de polvo, hilachas, pelo, y cualquier cosa que pueda reducir el flujo de aire.
7. Mantenga el pelo, ropa holgada, dedos, y todas las partes del cuerpo alejadas de las aberturas y partes en movimiento.
8. Desactive todos los controles antes de extraer la batería.
9. Tenga cuidado especial cuando limpie en escaleras.
10. No utilice el aparato para recoger líquidos inflamables o combustibles, tal como gasolina, ni en áreas donde pueda haber tales líquidos.
11. Utilice para recargar solamente el cargador suministrado por el fabricante.
12. No recoja nada que esté quemándose o echando humo, tal como cigarrillos, cerillas, o cenizas calientes.
13. No utilice el aparato sin estar instalados la bolsa de polvo y/o los filtros.
14. No cargue la batería en exteriores.
15. Recargue solamente con el cargador especificado por el fabricante. Un cargador que es apropiado para un tipo de batería puede crear un riesgo de incendio cuando se utiliza con otra batería.

16. Utilice las herramientas eléctricas solamente con las baterías designadas específicamente para ellas. La utilización de cualquier otra batería puede crear un riesgo de heridas o incendio.
17. Cuando la batería no esté siendo utilizada, manténgala alejada de otros objetos metálicos, como sujetapapeles, monedas, llaves, clavos, tornillos u otros objetos metálicos pequeños, que puedan hacer conexión entre un terminal y otro.
18. En condiciones abusivas, es posible que salga expulsado líquido de la batería; evite el contacto con él. Si se produce un contacto accidental, enjuague con agua.
19. No utilice una batería o herramienta que esté dañada o modificada. Las baterías dañadas o modificadas pueden comportarse de forma impredecible resultando en un incendio, explosión o riesgo de heridas.
20. No exponga una batería o herramienta al fuego o a temperatura excesiva. La exposición al fuego o a una temperatura superior a los 130 °C puede ocasionar una explosión.
21. Siga todas las instrucciones de carga y no cargue la batería o la herramienta fuera del rango de temperatura especificado en las instrucciones. Cargar incorrectamente o a temperaturas fuera del rango especificado puede dañar la batería y aumentar el riesgo de incendio.

## GUARDE ESTAS INSTRUCCIONES.

### NORMAS DE SEGURIDAD ADICIONALES

Este aparato ha sido previsto para ser utilizado en el hogar.

1. Lea este manual de instrucciones y el manual de instrucciones del cargador atentamente antes de utilizar el aparato.
2. No recoja los materiales siguientes:
  - Materiales calientes tales como cigarrillos encendidos o polvo de chispas/metales generado al amolar/cortar metales
  - Materiales inflamables tales como gasolina, disolvente, bencina, keroseno o pintura
  - Materiales explosivos como nitroglicerina
  - Materiales que puedan prenderse como aluminio, cinc, magnesio, titanio, fósforo o celuloide
  - Suciedad mojada, agua, aceite o similares
  - Piezas duras con bordes cortantes, tales como virutas de madera, metales, piedras, cristales, clavos, alfileres o cuchillas de afeitar
  - Polvo que cuaje tal como cemento o tóner
  - Polvo conductivo tal como metal o carbón
  - Partículas finas como polvo de cementoTales acciones podrán causar un incendio, heridas y/o daños a la propiedad.
3. Detenga inmediatamente la operación si nota algo anormal.
4. Si deja caer o golpea la aspiradora, compruebe atentamente si tiene grietas o algún daño antes de iniciar la operación.

5. No lo acerque a estufas u otras fuentes de calor.
6. No bloquee el orificio de admisión ni los orificios de ventilación.

## GUARDE ESTAS INSTRUCCIONES.

### Instrucciones de seguridad importantes para el cartucho de batería

1. Antes de utilizar el cartucho de batería, lea todas las instrucciones e indicaciones de precaución sobre (1) el cargador de baterías, (2) la batería, y (3) el producto con el que se utiliza la batería.
2. No desensamble ni manipule el cartucho de batería. Podrá resultar en un incendio, calor excesivo, o una explosión.
3. Si el tiempo de uso se acorta demasiado, cese la operación inmediatamente. Podría resultar en un riesgo de recalentamiento, posibles quemaduras e incluso una explosión.
4. Si entra electrolito en sus ojos, aclárelos con agua limpia y acuda a un médico inmediatamente. Existe el riesgo de poder perder la vista.
5. No cortocircuite el cartucho de batería:
  - (1) No toque los terminales con ningún material conductor.
  - (2) Evite guardar el cartucho de batería en un cajón junto con otros objetos metálicos, como clavos, monedas, etc.
  - (3) No exponga el cartucho de batería al agua ni a la lluvia.

Un cortocircuito en la batería puede producir una gran circulación de corriente, un recalentamiento, posibles quemaduras e incluso una rotura de la misma.

6. No guarde ni utilice la herramienta y el cartucho de batería en lugares donde la temperatura pueda alcanzar o exceder los 50 °C.
7. Nunca incinere el cartucho de batería incluso en el caso de que esté dañado seriamente o ya no sirva en absoluto. El cartucho de batería puede explotar si se tira al fuego.
8. No clave, corte, aplaste, lance, deje caer el cartucho de batería, ni golpee contra un objeto duro el cartucho de batería. Tal conducta podrá resultar en un incendio, calor excesivo, o una explosión.
9. No utilice una batería dañada.
10. Las baterías de litio-ion contenidas están sujetas a los requisitos de la Legislación para Materiales Peligrosos.

Para transportes comerciales, p.ej., por terceras personas y agentes de transportes, se deberán observar requisitos especiales para el empaquetado y etiquetado.

Para la preparación del artículo que se va a enviar, se requiere consultar con un experto en materiales peligrosos. Por favor, observe también la posibilidad de reglamentos nacionales más detallados. Cubra con cinta aislante o enmascare los contactos expuestos y empaquete la batería de tal manera que no se pueda mover alrededor dentro del embalaje.

11. Para desechar el cartucho de batería, retírelo de la herramienta y deséchelo en un lugar seguro. Siga los reglamentos locales referentes al desecho de la batería.
12. Utilice las baterías solamente con los productos especificados por Makita. La instalación de las baterías en productos no compatibles puede resultar en un incendio, calor excesivo, explosión, o fuga de electrolito.
13. Si la herramienta no va a ser utilizada durante un periodo de tiempo largo, la batería deberá ser retirada de la herramienta.
14. Durante y después de la utilización, el cartucho de batería podrá acumular calor, lo cual puede ocasionar quemaduras o quemaduras de baja temperatura. Preste atención al manejo de cartuchos de batería calientes.
15. No toque el terminal de la herramienta inmediatamente después de utilizar, dado que puede calentarse lo suficiente como para ocasionar quemaduras.
16. No permita que virutas, polvo, o tierra se adhieran dentro de los terminales, orificios, y ranuras del cartucho de batería. Podría resultar en un mal rendimiento o rotura de la herramienta o el cartucho de batería.
17. A menos que la herramienta pueda utilizarse cerca de cables eléctricos de alta tensión, no utilice el cartucho de batería cerca de cables eléctricos de alta tensión. Podrá resultar en un mal funcionamiento o rotura de la herramienta o el cartucho de batería.
18. Mantenga la batería alejada de los niños.

## GUARDE ESTAS INSTRUCCIONES.

**⚠PRECAUCIÓN:** Utilice solamente baterías genuinas de Makita. La utilización de baterías no genuinas de Makita, o baterías que han sido alteradas, puede resultar en una explosión de la batería ocasionando incendios, heridas personales y daños. También anulará la garantía de Makita para la herramienta y el cargador de Makita.

## Consejos para alargar al máximo la vida de servicio de la batería

1. Cargue el cartucho de batería antes de que se descargue completamente. Detenga siempre la operación y cargue el cartucho de batería cuando note menos potencia en la herramienta.
2. No cargue nunca un cartucho de batería que esté completamente cargado. La sobrecarga acortará la vida de servicio de la batería.
3. Cargue el cartucho de batería a temperatura ambiente de 10 °C - 40 °C. Si un cartucho de batería está caliente, déjelo enfriar antes de cargarlo.
4. Cuando no esté utilizando el cartucho de batería, retírelo de la herramienta o del cargador.
5. Cargue el cartucho de batería si no lo utiliza durante un periodo de tiempo prolongado (más de seis meses).

## DESCRIPCIÓN DEL FUNCIONAMIENTO

**⚠️ PRECAUCIÓN:** Asegúrese siempre de que la herramienta esté apagada y el cartucho de batería retirado antes de realizar cualquier ajuste o comprobación en la herramienta.

**⚠️ PRECAUCIÓN:** Tenga cuidado de no pillarse el dedo (o los dedos) entre la aspiradora y la batería cuando instale la batería. Si se pilla el dedo(s) podrá ocasionarse una herida.

### Instalación o extracción del cartucho de batería

**⚠️ PRECAUCIÓN:** Apague siempre la herramienta antes de instalar o retirar el cartucho de batería.

**⚠️ PRECAUCIÓN:** Sujete la herramienta y el cartucho de batería firmemente cuando instale o retire el cartucho de batería. Si no sujeta la herramienta y el cartucho de batería firmemente podrán caérsele de las manos y resultar en daños a la herramienta y al cartucho de batería y heridas personales.

► **Fig.1:** 1. Indicador rojo 2. Botón 3. Cartucho de batería

Para retirar el cartucho de batería, deslícelo de la herramienta mientras desliza el botón de la parte frontal del cartucho.

Para instalar el cartucho de batería, alinee la lengüeta del cartucho de batería con la ranura de la carcasa y deslícelo hasta que encaje en su sitio. Insértelo a tope hasta que se bloquee en su sitio produciendo un pequeño chasquido. Si puede ver el indicador rojo en el lado superior del botón, no estará bloqueado completamente.

**⚠️ PRECAUCIÓN:** Instale siempre el cartucho de batería completamente hasta que no pueda verse el indicador rojo. En caso contrario, podrá caerse accidentalmente de la herramienta y ocasionarle heridas a usted o a alguien que esté cerca de usted.

**⚠️ PRECAUCIÓN:** No instale el cartucho de batería empleando fuerza. Si el cartucho no se desliza al interior fácilmente, será porque no está siendo insertado correctamente.

### Sistema de protección de la herramienta/batería

La herramienta está equipada con un sistema de protección de la herramienta/batería. Este sistema corta automáticamente la alimentación del motor para alargar la vida útil de la herramienta y la batería.

La herramienta se detendrá automáticamente durante la operación si la herramienta o la batería es puesta en una de las condiciones siguientes. En algunas condiciones, la lámpara de indicación se ilumina.

► **Fig.2:** 1. Lámpara de indicación

### Protección contra sobrecarga

Cuando la herramienta sea utilizada de una manera que dé lugar a que absorba una corriente anormalmente alta, la herramienta se detendrá automáticamente y el indicador se iluminará durante unos 60 segundos. En esta situación, apague la herramienta y detenga la aplicación que ocasiona la sobrecarga de la herramienta. Después encienda la herramienta para volver a empezar.

### Protección contra el recalentamiento

Cuando la herramienta/batería se recalienta, la herramienta se detiene automáticamente y el indicador de batería se ilumina durante unos 60 segundos. La herramienta no se pondrá en marcha aunque la encienda. En esta situación, deje que la batería se enfríe antes de encender la herramienta otra vez.

### Protección contra descarga excesiva

Cuando la capacidad de batería restante se vuelve baja, el indicador parpadea. Si se sigue utilizando, la herramienta se detendrá y el indicador se iluminará durante unos 60 segundos. Si enciende la herramienta, el motor se pondrá en marcha otra vez pero se parará en seguida. En esta situación, cargue el cartucho de batería.

**NOTA:** El momento en el que la lámpara se ilumina depende de la temperatura en el lugar de trabajo y las condiciones del cartucho de batería.

### Modo de indicar la capacidad de batería restante

**Solamente para cartuchos de batería con el indicador**

► **Fig.3:** 1. Lámparas indicadoras 2. Botón de comprobación

Presione el botón de comprobación en el cartucho de batería para indicar la capacidad de batería restante. Las lámparas indicadoras se iluminan durante unos pocos segundos.

Lámparas indicadoras			Capacidad restante
Iluminada	Apagada	Parpadeando	
■	□	▧	75% a 100%
■	■	□	50% a 75%
■	■	□	25% a 50%
■	□	□	0% a 25%
▧	□	□	Cargue la batería.
■	■	□	Puede que la batería no esté funcionando bien.
□	□	■	

**NOTA:** Dependiendo de las condiciones de utilización y de la temperatura ambiente, la indicación podrá variar ligeramente de la capacidad real.

## Accionamiento del interruptor

- **Fig.4:** 1. Botón de encendido/cambio de velocidad  
2. Botón de apagado

Para poner en marcha la aspiradora, simplemente presione el botón de encendido/cambio de velocidad. Para apagar, presione el botón de apagado. Puede cambiar la velocidad de la aspiradora en tres pasos presionando el botón de encendido/cambio de velocidad.

La primera vez que se presiona este botón es para el modo de velocidad alta, la segunda para el modo de velocidad máxima y la tercera para el modo de velocidad normal. Cada vez que se presiona este botón se repite el ciclo de velocidad alta/máxima/normal alternativamente.

## MONTAJE

**⚠ PRECAUCIÓN:** Asegúrese siempre de que la herramienta está apagada y el cartucho de batería retirado antes de realizar cualquier trabajo en la herramienta.

## Bolsa de polvo y filtro de papel

Instale la bolsa de polvo o el filtro de papel antes de utilizar la aspiradora.

Utilice el tapón de polvo cuando instale la bolsa de polvo o el filtro de papel.

Las bolsas de polvo se pueden utilizar muchas veces repetidamente limpiándolas.

El filtro de papel es de tipo desechable. Descarte el filtro de papel entero sin vaciarlo cuando se haya llenado.

**AVISO:** Para evitar que el polvo entre en el motor:

- Asegúrese antes de la utilización de que está instalada la bolsa de polvo o el filtro de papel.
- Inserte el tapón de polvo junto con la bolsa de polvo o el filtro de papel a fondo dentro de las ranuras cuando los instale.
- No utilice una bolsa rota o rasgada.

De lo contrario el motor se podrá romper.

**AVISO:** No pliegue el cartón por su abertura cuando instale el filtro de papel.

**AVISO:** No descarte nunca el tapón de polvo porque necesita ser utilizado repetidamente siempre que se utiliza la bolsa de polvo o el filtro de papel.

**AVISO:** El filtro de papel para la aspiradora es un componente importante para el mantenimiento del buen rendimiento de la herramienta. La utilización de un filtro de papel distinto del genuino puede ocasionar humos o ignición.

## Instalación de la bolsa de polvo

Utilice el tapón de polvo cuando instale la bolsa de polvo. Tenga cuidado de no confundir el lado superior con el lado inferior por equivocación porque son diferentes el uno del otro.

- **Fig.5:** 1. Lado superior del tapón de polvo 2. Lado inferior del tapón de polvo

1. Inserte la protuberancia de la bolsa de polvo dentro de la ranura del tapón de polvo como se muestra en la figura.

La bolsa de polvo no tiene distinción entre los lados superior e inferior. Puede insertar la protuberancia de cualquiera de sus lados dentro de la ranura del tapón de polvo.

- **Fig.6:** 1. Tapón de polvo 2. Acanaladura 3. Bolsa de polvo

2. Solape el bastidor del tapón de polvo con el de la bolsa de polvo.

- **Fig.7**

3. Coloque el tapón de polvo y la bolsa de polvo juntos dentro de cavidad de la aspiradora en la misma dirección de la flecha del tapón de polvo. Insérteles a fondo dentro de las ranuras en la cavidad de la aspiradora.

- **Fig.8:** 1. Ranura

4. Coloque toda la parte de paño de la bolsa de polvo dentro de la propia aspiradora.

- **Fig.9**

5. Cierre la cubierta de la caja de polvo completamente.

- **Fig.10:** 1. Cubierta de la caja de polvo

**NOTA:** Cuando la bolsa de polvo no está instalada en la aspiradora, la cubierta de la caja de polvo no se cierra completamente.

## Instalación del filtro de papel

Utilice también el tapón de polvo cuando instale el filtro de papel. Tenga cuidado de no confundir el lado superior con el lado inferior por equivocación porque son diferentes el uno del otro.

- **Fig.11:** 1. Lado superior del tapón de polvo 2. Lado inferior del tapón de polvo

1. Despliegue la entrada del filtro de papel antes de ajustarlo en el tapón de polvo.

- **Fig.12**

2. Inserte la protuberancia del filtro de papel dentro de la ranura del tapón de polvo como se muestra en la figura.

El filtro de papel no tiene distinción entre los lados superior e inferior. Puede insertar la protuberancia de cualquiera de sus lados dentro de la ranura del tapón de polvo.

- **Fig.13:** 1. Tapón de polvo 2. Acanaladura 3. Filtro de papel

3. Solape el bastidor del tapón de polvo con el del filtro de papel.

- **Fig.14**

4. Coloque el tapón de polvo y el filtro de papel juntos dentro de cavidad de la aspiradora en la misma dirección de la flecha del tapón de polvo. Insértelos a fondo dentro de las ranuras en la cavidad de la aspiradora.

► **Fig.15:** 1. Ranura

5. Coloque toda la parte del contenedor del filtro de papel dentro de la propia herramienta.

► **Fig.16**

6. Cierre la cubierta de la caja de polvo completamente.

► **Fig.17:** 1. Cubierta de la caja de polvo

**NOTA:** Cuando el filtro de papel no está instalado en la aspiradora, la cubierta de la caja de polvo no se cierra completamente.

## Instalación de la correa de hombro

**⚠PRECAUCIÓN:** Tenga cuidado de que la correa de bandolera no se enganche en objetos a su alrededor.

**⚠PRECAUCIÓN:** Tenga cuidado de que la correa de bandolera no se deslice de su hombro cuando esté utilizando la aspiradora. Para un manejo estable de la aspiradora, se recomienda ponerse la correa de bandolera de forma que quede cruzada enfrente de su pecho.

Coloque los ganchos de la correa de hombro en los soportes de la aspiradora como se muestra en la figura.

► **Fig.18:** 1. Correa de hombro 2. Gancho 3. Soporte

**NOTA:** También puede colocar la correa de hombro en la bolsa blanda (accesorio opcional) como se muestra en la ilustración.

► **Fig.19:** 1. Correa de hombro 2. Bolsa blanda

## OPERACIÓN

**⚠PRECAUCIÓN:** Agarre siempre la empuñadura cuando transporte la aspiradora. Si agarra la parte del accesorio para transportar, se podrá soltar de la aspiradora y resultar en heridas personales.

**⚠PRECAUCIÓN:** No utilice el aparato mientras conduce un vehículo o el motor esté en marcha.

**⚠PRECAUCIÓN:** No agarre el acoplador de la manguera como se muestra en la figura. Si agarra el acoplador de la manguera podrá pillarse el dedo.

► **Fig.20:** 1. Acoplador de la manguera

## Utilización como aspiradora

**NOTA:** Retire el accesorio de soplador antes de limpiar con aspiradora. Si el accesorio de soplador está colocado en la aspiradora, la potencia de succión se reducirá.

## Instalación o desmontaje del accesorio de aspiradora

Para conectar un accesorio como una boquilla, retuérzalo e insértelo firmemente en la manguera. Para desconectarlo, retuérzalo y retírelo.

La manera de hacer la instalación varía dependiendo de las boquillas como se muestra en la ilustración.

► **Fig.21:** 1. Manguera 2. Boquilla de goma 3. Cepillo suave 4. Boquilla para asientos 5. Boquilla para esterillas

## Limpieza con aspiradora

### Boquilla de goma

Esta boquilla es útil para limpiar esquinas inferiores como la cavidad de una puerta. La boquilla de goma es delicada con la superficie a limpiar.

► **Fig.22:** 1. Boquilla de goma

### Cepillo suave

Esta boquilla es útil para limpiar las rejillas del acondicionador de aire, el salpicadero de un automóvil, etc. La cabeza del cepillo suave se puede girar hasta ángulo recto.

► **Fig.23:** 1. Cepillo suave

### Boquilla para asientos

Esta boquilla tiene un cepillo para pelusa para limpiar la superficie del asiento. La escobilla lateral en la boquilla es útil para sacar el polvo de las comisuras.

► **Fig.24:** 1. Boquilla para asientos 2. Escobilla lateral

### Boquilla para esterillas

Esta boquilla se utiliza para limpiar las esterillas y alfombrillas del suelo. Los dientes en la boquilla facilitan la extracción de los granos de arena.

► **Fig.25:** 1. Boquilla para esterillas

**AVISO:** Utilice siempre la boquilla para esterillas para limpiar una esterilla. La utilización de la boquilla para esterillas para otros materiales puede rayar su superficie.

## Limpieza sin boquilla

Puede realizar la limpieza con aspiradora sin la boquilla.

► **Fig.26**

## Extracción del polvo

**⚠PRECAUCIÓN:** Vacíe la bolsa de polvo o reemplace el filtro de papel antes de que se llene. Si no lo hace, la fuerza de succión/soplado se debilitará.

**⚠PRECAUCIÓN:** Cuando cierre la cubierta de la caja de polvo, tenga cuidado de no pillarse los dedos.

**AVISO:** No descarte nunca el tapón de polvo porque debe ser utilizado siempre que se utilice la bolsa de polvo o el filtro de papel.

**AVISO:** Cuando la bolsa de polvo/filtro de papel no está dentro de la aspiradora, la cubierta de la caja de polvo no se cierra completamente. No ejerza fuerza para cerrar la cubierta de la caja de polvo. Podría resultar en deformación o rotura de la herramienta.

**AVISO:** Cuando deseche el polvo, limpie también el espacio de la bolsa de polvo/filtro de papel. El polvo y suciedad remanentes en el espacio puede ocasionar que el filtro de esponja se obture o que el motor se dañe.

1. Abra la cubierta de la caja de polvo.  
► **Fig.27:** 1. Cubierta de la caja de polvo
2. Extraiga el tapón de polvo de color naranja y la bolsa de polvo/filtro de papel juntos al mismo tiempo.  
► **Fig.28:** 1. Tapón de polvo

3. **Cuando utilice la bolsa de polvo**  
Retire el tapón de polvo y vacíe la bolsa de polvo.  
► **Fig.29:** 1. Tapón de polvo 2. Bolsa de polvo

**Cuando utilice el filtro de papel**  
Retire el tapón de polvo y deseche el filtro de papel.  
► **Fig.30:** 1. Tapón de polvo 2. Filtro de papel

4. Coloque la bolsa de polvo/filtro de papel nuevo y el tapón de polvo juntos dentro de la aspiradora y cierre la cubierta de la caja de polvo.

## Utilización como soplador

**⚠PRECAUCIÓN:** No apunte nunca la boquilla hacia nadie en los alrededores.

**⚠PRECAUCIÓN:** Para evitar inhalar polvo, se recomienda abrir las ventanas, y también ponerse gafas de protección y máscara mientras realiza la operación.

**⚠PRECAUCIÓN:** No tire del accesorio de soplador. Podría soltarse de la aspiradora.

**⚠PRECAUCIÓN:** No utilice la aspiradora para soplar aire al interior de objetos, tales como balsas de goma, balones u otros productos inflables. Un aumento de las revoluciones del motor puede ocasionar una peligrosa rotura del ventilador.

**⚠PRECAUCIÓN:** No bloquee nunca la boca de succión y/o la salida de aire de la sopladora. Tenga cuidado de no bloquear la boca de succión ni la salida de aire de la sopladora con polvo o suciedad cuando trabaje en una zona polvorienta.

**⚠PRECAUCIÓN:** No utilice boquillas distintas de las boquillas suministradas por Makita.

## Instalación o desmontaje del accesorio de soplador

Para colocar el accesorio de soplador, alinee la protuberancia del puerto del accesorio de soplador con la ranura en la rejilla, y después presiónelo hasta que produzca un chasquido.  
► **Fig.31:** 1. Accesorio de soplador

Para retirar el accesorio de soplador, tire del puerto hacia abajo mientras presiona su parte superior como se muestra en la ilustración.  
► **Fig.32**

## Soplado

Oriente la punta del accesorio de soplador hacia el objeto que quiere soplar y después encienda la herramienta.

► **Fig.33**

## MANTENIMIENTO

**⚠PRECAUCIÓN:** Asegúrese siempre de que la herramienta está apagada y de que el cartucho de batería está retirado antes de intentar hacer una inspección o mantenimiento.

**AVISO:** No utilice nunca gasolina, bencina, disolvente, alcohol o similares. Podría producir descoloración, deformación o grietas.

Para mantener la SEGURIDAD y FIABILIDAD del producto, las reparaciones, y cualquier otra tarea de mantenimiento o ajuste deberán ser realizadas en centros de servicio o de fábrica autorizados por Makita, empleando siempre repuestos Makita.

## Limpieza

De vez en cuando, limpie el exterior de la aspiradora (cuerpo de la aspiradora) utilizando un paño humedecido en agua jabonosa.

Limpie también la abertura de succión, el área de montaje de la bolsa de polvo/filtro de papel y el tapón de polvo.

► **Fig.34**

Lave la bolsa de polvo en agua jabonosa cuando esté obstruida con polvo y la potencia de la aspiradora se debilite. Séquelo completamente antes de utilizarlo. Un filtro insuficientemente seco puede ocasionar una mala succión y acortar la vida de servicio del motor.

► **Fig.35**

**NOTA:** El filtro de papel es de tipo desechable.

Cuando el filtro de esponja se obstruya con polvo, retírelo de la aspiradora y después límpielo o lávelo en agua.

## Extracción e instalación del filtro de esponja

**⚠PRECAUCIÓN:** Después de limpiar el filtro de esponja, asegúrese de instalarlo en la aspiradora. Si lo lava en agua, séquelo antes de instalarlo. Un filtro de esponja insuficientemente seco puede acortar la vida de servicio del motor.

Para retirar el filtro de esponja, retire la bolsa de polvo o el filtro de papel y después cójalo con los dedos y sáquelo.

► **Fig.36:** 1. Filtro de esponja

Presione hacia adentro todo el borde del filtro de esponja contra la pared embutida dentro del área de montaje de la bolsa de polvo/filtro de papel.

► **Fig.37:** 1. Pared embutida

## Almacenamiento

### **⚠️ ADVERTENCIA:** No deje nunca el cartucho de batería y el cargador dentro de un automóvil.

La temperatura dentro de un automóvil aparcado al sol puede exceder los 50 °C. Esto puede ocasionar que el cartucho de batería se deteriore y resultar en expulsión de líquido, emisión de humo o en un incendio.

► Fig.38

**⚠️ ADVERTENCIA:** No utilice nunca el cargador mientras lo tenga guardado en una bolsa de almacenamiento. El bloqueo de la rejilla de ventilación puede resultar en emisión de humo o en un incendio.

► Fig.39

**⚠️ ADVERTENCIA:** No cargue nunca el cartucho de batería con un inversor instalado en el vehículo. Podrá ocasionar un calor anormal y resultar en un incendio.

**⚠️ ADVERTENCIA:** No cargue nunca el cartucho de batería dentro de un automóvil. Si el cartucho de batería es expuesto a una gama de temperaturas fuera de los 10 °C - 40 °C, puede generar calor y/o un incendio o explotar.

**⚠️ PRECAUCIÓN:** Guarde siempre la manguera como se muestra en la ilustración para evitar tropezar, cuando la aspiradora no esté siendo utilizada. La manguera extendida puede engancharse en su pie y ocasionar heridas personales.

► Fig.40: 1. Gancho 2. Manguera

## Solución de problemas

Antes de solicitar una reparación, compruebe los puntos siguientes.

Sintoma	Área a investigar	Método de reparación
Poca potencia de succión	¿Está llena de polvo la bolsa de polvo o el filtro de papel?	Vacíe bolsa de polvo o el filtro de papel.
	¿Está obstruida la bolsa de polvo?	Sacuda el polvo o lave la bolsa de polvo.
	¿Está obstruido el filtro de papel?	Reemplace el filtro de papel.
No funciona	¿Está agotado el cartucho de batería?	Cargue el cartucho de batería.
	¿Está agotado el cartucho de batería?	Cargue el cartucho de batería.
La cubierta de la caja de polvo no se cierra	¿Está la bolsa de polvo o el filtro de papel colocado?	Coloque la bolsa de polvo o el filtro de papel.

**AVISO:** No intente reparar la aspiradora usted mismo.

## ACCESORIOS OPCIONALES

**⚠️ PRECAUCIÓN:** Estos accesorios o aditamentos están recomendados para su uso con la herramienta Makita especificada en este manual.

El uso de cualquier otro accesorio o aditamento puede suponer un riesgo de heridas personales. Utilice el accesorio o aditamento solamente con la finalidad indicada para el mismo.

- Colector ciclónico
- Bolsa de polvo
- Bolsa de polvo de alto rendimiento
- Bolsa blanda
- Batería y cargador genuinos de Makita

**NOTA:** Algunos elementos de la lista podrán estar incluidos en el paquete de la herramienta como accesorios estándar. Pueden variar de un país a otro.

Si necesita cualquier ayuda para más detalles en relación con estos accesorios, pregunte al centro de servicio Makita local.

- Tubo de extensión (Tubo recto)
- Boquilla
- Boquilla para alfombras
- Cepillo para estanterías
- Boquilla para esquinas
- Cepillo redondo
- Manguera flexible
- Filtro de papel
- Boquilla libre
- Boquilla para asientos
- Boquilla para resquicios

## AVISO

Este aparelho pode ser utilizado por crianças com 8 anos e mais de idade e por pessoas com capacidades físicas, sensoriais ou mentais reduzidas ou com falta de experiência e conhecimento, se tiverem recebido supervisão ou instruções relativas à utilização segura do aparelho e conheçam os respetivos perigos. As crianças não devem brincar com o aparelho. A limpeza e manutenção pelo utilizador não devem ser realizadas por crianças sem supervisão.

## ESPECIFICAÇÕES

Modelo:		DCL184
Capacidade	com um saco para pó	500 mL
	com um filtro de papel	330 mL
Utilização contínua (com bateria BL1830B)	1 (Modo de velocidade normal)	Aprox. 80 min
	2 (Modo de velocidade alta)	Aprox. 30 min
	3 (Modo de velocidade máx.)	Aprox. 20 min
Comprimento geral (com bateria BL1830B)		365 mm
Tensão nominal		CC 18 V
Peso líquido		1,8 - 2,2 kg

- Devido a um programa contínuo de pesquisa e desenvolvimento, estas especificações estão sujeitas a alteração sem aviso prévio.
- As especificações podem variar de país para país.
- O peso não inclui os acessórios mas a(s) bateria(s). Os pesos combinados mais leve e mais pesado do aparelho e da(s) bateria(s) são indicados na tabela.

## Bateria e carregador aplicável

Bateria	BL1815N / BL1820 / BL1820B / BL1830 / BL1830B / BL1840 / BL1840B / BL1850 / BL1850B / BL1860B
Carregador	DC18RC / DC18RD / DC18RE / DC18SD / DC18SE / DC18SF / DC18SH

- Algumas das baterias e carregadores listados acima poderão não estar disponíveis, dependendo da sua região de residência.

**AVISO:** Utilize apenas as baterias e carregadores listados acima. A utilização de quaisquer outras baterias e carregadores pode causar ferimentos e/ou um incêndio.

## Símbolos

A seguir são apresentados os símbolos que podem ser utilizados para o equipamento. Certifique-se de que compreende o seu significado antes da utilização.



Leia o manual de instruções.



Ni-MH  
Li-ion

Apenas para países da UE.  
Não elimine equipamentos elétricos ou baterias com o lixo doméstico! Tendo em conta as Diretivas europeias relativas a resíduos de equipamentos elétricos e eletrónicos e baterias e acumuladores e resíduos de baterias e acumuladores e à implementação das mesmas de acordo com as leis nacionais, os equipamentos elétricos e as baterias e pacotes de baterias que chegaram ao fim da vida têm de ser recolhidos separadamente e entregues a instalações de reciclagem ambientalmente compatíveis.



## Utilização a que se destina

Esta ferramenta serve para recolher pó seco.

## AVISOS DE SEGURANÇA

### Avisos de segurança do aspirador de pó a bateria

**⚠ AVISO: IMPORTANTE! LEIA COM ATENÇÃO todos os avisos de segurança e todas as instruções ANTES DA UTILIZAÇÃO.** Caso não siga os avisos e instruções, pode apanhar um choque elétrico, provocar um incêndio e/ou ferimentos graves.

1. Não exponha à chuva. Guarde dentro de casa.
2. Não permita que seja utilizado como brinquedo. Tenha cuidado especialmente quando o aparelho for utilizado por crianças ou próximo delas.
3. Utilize-o somente de acordo com as instruções deste manual. Utilize somente os acessórios recomendados pelo fabricante.
4. Não utilize com uma bateria danificada. Se o aparelho não funcionar corretamente, for derrubado, danificado, deixado ao ar livre ou cair na água, leve-o ao centro de assistência.
5. Não manuseie o aparelho com as mãos molhadas.
6. Não coloque nenhum objeto nas aberturas. Não o utilize com uma abertura bloqueada; mantenha-o limpo, sem poeira, pelos, cabelos ou qualquer outra coisa que possa reduzir o fluxo de ar.
7. Mantenha os cabelos, roupas largas, dedos e outras partes do corpo afastadas das aberturas e das peças em movimento.
8. Desligue todos os controlos antes de retirar a bateria.
9. Tenha cuidado especialmente ao limpar escadas.
10. Não utilize para aspirar líquidos inflamáveis ou combustíveis, tal como gasolina, nem utilize em áreas onde esses produtos podem estar presentes.
11. Utilize somente o carregador fornecido pelo fabricante para recarregar.
12. Não utilize para aspirar algo que está a queimar ou a soltar fumo, tal como cigarros, fósforos ou cinzas quentes.
13. Não utilize sem o saco para pó e/ou os filtros devidamente instalados.
14. Não carregue a bateria ao ar livre.
15. Recarregue apenas com o carregador especificado pelo fabricante. Um carregador que é adequado para um tipo de conjunto de baterias poderá criar um risco de incêndio quando utilizado com outro conjunto de baterias.
16. Utilize ferramentas elétricas apenas com conjuntos de baterias especificamente concebidos. A utilização de quaisquer outros conjuntos de baterias poderá criar um risco de ferimentos e incêndio.

17. Quando (o) conjunto de baterias não estiver a ser utilizado, mantenha-o afastado de outros objetos de metal, tais como cliques de papel, moedas, chaves, pregos, parafusos ou outros objetos de metal pequenos que possam estabelecer ligação de um terminal a outro.
18. Mediante condições abusivas, o líquido poderá ser ejetado da bateria; evite o contacto. Caso ocorra o contacto acidentalmente, lavar com água.
19. Não utilize um conjunto de baterias ou uma ferramenta que se encontrem danificados ou modificados. As baterias danificadas ou modificadas poderão exibir um comportamento imprevisível, resultando em incêndio, explosão ou risco de lesão.
20. Não exponha um conjunto de baterias ou uma ferramenta a incêndio ou temperatura excessiva. A exposição a incêndio ou a uma temperatura superior a 130 °C poderá causar uma explosão.
21. Siga todas as instruções de carregamento e não carregue o conjunto de baterias ou ferramenta fora da amplitude de temperaturas especificada nas instruções. O carregamento impróprio ou a temperaturas fora da amplitude especificada poderá danificar a bateria e aumentar o risco de incêndio.

## GUARDE ESTAS INSTRUÇÕES.

### REGRAS DE SEGURANÇA ADICIONAIS

Este aparelho destina-se à utilização doméstica.

1. Antes de utilizar o aparelho, leia cuidadosamente este manual de instruções bem como o manual do carregador.
2. Não aspire os seguintes materiais:
  - Materiais quentes, tais como cigarros acesos ou faíscas/pó de metal produzidos ao esmerilar/cortar metal
  - Materiais inflamáveis, tais como gasolina, diluentes, benzina, querosene ou tinta
  - Materiais explosivos como nitroglicerina
  - Materiais inflamáveis, tais como alumínio, zinco, magnésio, titânio, fósforo ou celulose
  - Sujidade húmida, água, óleo, etc.
  - Artigos rígidos com arestas cortantes, tais como aparas de madeira, metais, pedras, vidros, pregos, pinos e lâminas de barbear
  - Pó para solidificar, como cimento ou tóner
  - Pó condutivo, tal como metal ou carbono
  - Partículas minúsculas como de betãoIsso pode provocar incêndio, ferimentos e/ou danos à propriedade.
3. Desligue o aspirador imediatamente se notar qualquer funcionamento anormal.
4. Se deixar cair ou bater o aspirador, inspecione cuidadosamente para ver se há rachaduras ou danos antes de utilizar.

5. Não aproxime de fogões nem de outras fontes de calor.
6. Não bloqueie os orifícios de entrada e saída de ar.

## GUARDE ESTAS INSTRUÇÕES.

### Instruções de segurança importantes para a bateria

1. Antes de utilizar a bateria, leia todas as instruções e etiquetas de precaução no (1) carregador de bateria (2) bateria e (3) produto que utiliza a bateria.
2. Não desmonte ou manipule a bateria. Pode resultar num incêndio, em calor excessivo ou numa explosão.
3. Se o tempo de funcionamento se tornar excessivamente curto, pare o funcionamento imediatamente. Pode resultar em sobreaquecimento, possíveis queimaduras e mesmo explosão.
4. Se entrar eletrólito nos seus olhos, lave-os com água e consulte imediatamente um médico. Pode resultar em perda de visão.
5. Não coloque a bateria em curto-circuito:
  - (1) Não toque nos terminais com qualquer material condutor.
  - (2) Evite guardar a bateria juntamente com outros objetos metálicos tais como pregos, moedas, etc.
  - (3) Não exponha a bateria à água ou chuva. Um curto-circuito pode ocasionar um enorme fluxo de corrente, sobreaquecimento, possíveis queimaduras e mesmo estragar-se.
6. Não guarde nem utilize a ferramenta e a bateria em locais onde a temperatura pode atingir ou exceder 50 °C.
7. Não queime a bateria mesmo que esteja estragada ou completamente gasta. A bateria pode explodir no fogo.
8. Não preegue, corte, esmague, atire, deixe cair a bateria, nem bata a bateria contra um objeto rijo. Esta conduta pode resultar num incêndio, em calor excessivo ou numa explosão.
9. Não utilize uma bateria danificada.
10. As baterias de íões de lítio contidas na ferramenta são sujeitas aos requisitos da DGL (Dangerous Goods Legislation - Legislação de bens perigosos).

Para o transporte comercial, por exemplo, por terceiros ou agentes de expedição, têm de ser observados os requisitos referentes à embalagem e etiquetagem.

Para preparação do artigo a ser expedido, é necessário consultar um perito em materiais perigosos. Tenha ainda em conta a possibilidade de existirem regulamentos nacionais mais detalhados.

Coloque fita-cola ou tape os contactos abertos e embale a bateria de tal forma que não possa mover-se dentro da embalagem.

11. Quando eliminar a bateria, remova-a da ferramenta e elimine-a num local seguro. Siga os regulamentos locais relacionados com a eliminação de baterias.
12. Utilize as baterias apenas com os produtos especificados pela Makita. Instalar as baterias em produtos não-conformes poderá resultar num incêndio, calor excessivo, explosão ou fuga de eletrólito.
13. Se a ferramenta não for utilizada durante um período de tempo prolongado, a bateria deve ser removida da ferramenta.
14. Durante e após a utilização, a bateria pode aquecer, o que pode provocar queimaduras ou queimaduras a baixa temperatura. Preste atenção ao manuseamento de baterias quentes.
15. Não toque no terminal da ferramenta imediatamente após a utilização, pois pode ficar suficientemente quente para provocar queimaduras.
16. Não permita a adesão de aparas, pó ou sujidade nos terminais, nos orifícios e nas ranhuras da bateria. Pode resultar no fraco desempenho ou na avaria da ferramenta ou bateria.
17. A menos que a ferramenta suporte a utilização perto de linhas elétricas de alta tensão, não utilize a bateria perto de linhas elétricas de alta tensão. Pode resultar no mau funcionamento ou na avaria da ferramenta ou bateria.
18. Mantenha a bateria afastada das crianças.

## GUARDE ESTAS INSTRUÇÕES.

**⚠PRECAUÇÃO:** Utilize apenas baterias genuínas da Makita. A utilização de baterias não genuínas da Makita ou de baterias que foram alteradas, pode resultar no rebentamento da bateria provocando incêndios, ferimentos pessoais e danos. Além disso, anulará da garantia da Makita no que se refere à ferramenta e ao carregador Makita.

## Conselhos para manter a máxima vida útil da bateria

1. Carregue a bateria antes que esteja completamente descarregada. Pare sempre o funcionamento da ferramenta e carregue a bateria quando notar menos poder na ferramenta.
2. Nunca carregue uma bateria completamente carregada. Carregamento excessivo diminui a vida útil da bateria.
3. Carregue a bateria à temperatura ambiente de 10°C – 40°C. Deixe que uma bateria quente arrefeça antes de a carregar.
4. Quando não utilizar a bateria, remova-a da ferramenta ou do carregador.
5. Carregue a bateria se não a utilizar durante um longo período de tempo (mais de seis meses).

## DESCRIÇÃO FUNCIONAL

**⚠️ PRECAUÇÃO:** Certifique-se sempre de que a ferramenta está desligada e a bateria foi retirada antes de regular ou verificar qualquer função na ferramenta.

**⚠️ PRECAUÇÃO:** Ao colocar a bateria, tome cuidado para não prender o(s) dedo(s) entre o aspirador e a bateria. Poderá sofrer ferimentos no(s) dedo(s).

## Instalação ou remoção da bateria

**⚠️ PRECAUÇÃO:** Desligue sempre a ferramenta antes de colocar ou retirar a bateria.

**⚠️ PRECAUÇÃO:** Segure firmemente a ferramenta e a bateria quando instalar ou remover a bateria. Se não segurar firmemente a ferramenta e a bateria pode fazer com que escorreguem das suas mãos resultando em danos na ferramenta e na bateria e ferimentos pessoais.

► Fig.1: 1. Indicador vermelho 2. Botão 3. Bateria

Para retirar a bateria, deslize-a para fora da ferramenta enquanto desliza o botão na frente da bateria.

Para instalar a bateria, alinhe a lingueta da bateria com a ranhura no compartimento e deslize-a no lugar. Empurre-a até o fim para que a mesma encaixe no lugar com um clique. Se puder ver a parte vermelha no lado superior do botão, significa que não está completamente bloqueada.

**⚠️ PRECAUÇÃO:** Instale sempre a bateria até ao fim, até deixar de ver o indicador vermelho.

Caso contrário, a bateria poderá cair da ferramenta acidentalmente e provocar ferimentos em si mesmo ou em alguém próximo.

**⚠️ PRECAUÇÃO:** Não instale a bateria à força. Se a bateria não deslizar facilmente é porque não foi colocada corretamente.

## Sistema de proteção da ferramenta/bateria

A ferramenta está equipada com um sistema de proteção da ferramenta/bateria. Este sistema desliga automaticamente a alimentação do motor para prolongar a vida útil da ferramenta e da bateria.

A ferramenta para automaticamente durante o funcionamento se a ferramenta ou a bateria se encontrarem numa das seguintes condições. Em algumas condições, a luz indicadora acende.

► Fig.2: 1. Luz indicadora

## Proteção contra sobrecarga

Quando a ferramenta é operada de uma forma que causa a absorção de uma corrente anormalmente alta, a ferramenta para automaticamente e o indicador acende durante cerca de 60 segundos. Nesta situação, desligue a ferramenta e pare a aplicação que causou a sobrecarga da ferramenta. De seguida, ligue a ferramenta para reiniciar.

## Proteção contra sobreaquecimento

Quando a ferramenta/bateria estiver sobreaquecida, a ferramenta para automaticamente e o indicador da bateria acende durante cerca de 60 segundos. A ferramenta não efetua o arranque mesmo que ligue a ferramenta. Nesta situação, deixe a bateria arrefecer antes de voltar a ligar a ferramenta.

## Proteção contra descarga excessiva

Quando a carga restante da bateria ficar baixa, o indicador pisca. Se continuar a utilizá-la, a ferramenta para e o indicador acende durante cerca de 60 segundos. Se ligar a ferramenta, o motor opera novamente mas para momentos depois. Nesta situação, carregue a bateria.

**NOTA:** O período no qual a lâmpada acende depende da temperatura no local de trabalho e das condições da bateria.

## Indicação da capacidade restante da bateria

**Apenas para baterias com indicador**

► Fig.3: 1. Luzes indicadoras 2. Botão de verificação

Prima o botão de verificação na bateria para indicar a capacidade restante da bateria. As luzes indicadoras acendem durante alguns segundos.

Luzes indicadoras			Capacidade restante
Acaso	Apagado	A piscar	
			75% a 100%
			50% a 75%
			25% a 50%
			0% a 25%
			Carregar a bateria.
			A bateria pode estar avariada.

**NOTA:** Dependendo das condições de utilização e da temperatura ambiente, a indicação pode ser ligeiramente diferente da capacidade real.

## Ação do interruptor

► Fig.4: 1. Botão LIGAR/mudança de velocidade  
2. Botão DESLIGAR

Para iniciar o aspirador, carregue simplesmente no botão LIGAR/mudança de velocidade. Para desligar, prima o botão DESLIGAR.

Pode mudar a velocidade do aspirador em três passos ao carregar no botão LIGAR/mudança de velocidade. A primeira vez que carregar neste botão serve para definir o modo de velocidade alta, a segunda vez serve para definir o modo de velocidade máx. e a terceira vez serve para velocidade normal. De cada vez que carregar neste botão, o ciclo de velocidade alta/máx./normal repete-se alternadamente.

# MONTAGEM

**⚠️ PRECAUÇÃO:** Certifique-se sempre de que a ferramenta está desligada e a bateria retirada antes de executar qualquer trabalho na ferramenta.

## Saco para pó e filtro de papel

Instale o saco para pó ou o filtro de papel antes de utilizar o aspirador.  
Utilize o protetor de pó quando instalar o saco para pó ou o filtro de papel.  
O saco para pó é reutilizável após limpá-lo.  
O filtro de papel é do tipo descartável. Deite fora o filtro de papel completo sem esvaziá-lo quando ficar cheio.

**OBSERVAÇÃO:** Para evitar que o pó entre no motor:

- **Certifique-se de que o saco para pó ou o filtro de papel está instalado antes de usar.**
- **Insira o protetor de pó juntamente com o saco para pó ou o filtro de papel completamente nas ranhuras quando instalá-los.**
- **Não utilize um saco partido ou rasgado.**

Caso contrário, o motor poderá estar avariado.

**OBSERVAÇÃO:** Não dobre o papelão na sua abertura quando instalar o filtro de papel.

**OBSERVAÇÃO:** Nunca deite fora o protetor de pó porque tem ser utilizado sempre que o saco para pó ou o filtro de papel é utilizado.

**OBSERVAÇÃO:** O filtro de papel para o aspirador é um componente importante para manter o desempenho da ferramenta. Utilizar outro filtro além do filtro de papel genuíno poderá causar fumos ou ignição.

## Instalar o saco para pó

Utilize o protetor de pó quando instalar o saco para pó. Tenha cuidado para não confundir o lado superior do lado inferior porque ambos são diferentes.

► **Fig.5:** 1. Lado superior do protetor de pó 2. Lado inferior do protetor de pó

1. Insira a saliência do saco para pó na ranhura no protetor de pó conforme indicado na figura.

O saco para pó não possui distinção entre os lados superior e inferior. Pode inserir a sua saliência de qualquer um dos lados na ranhura do protetor de pó.

► **Fig.6:** 1. Protetor de pó 2. Ranhura 3. Saco para pó

2. Sobreponha a estrutura do protetor de pó com a do saco para pó.

► **Fig.7**

3. Coloque o protetor de pó e o saco para pó juntamente na cavidade do aspirador no mesmo sentido da seta no protetor de pó. Insira-os por completo nas ranhuras na cavidade do aspirador.

► **Fig.8:** 1. Ranhura

4. Coloque toda a parte de pano do saco para pó dentro do próprio aspirador.

► **Fig.9**

5. Feche completamente a tampa da caixa do pó.

► **Fig.10:** 1. Tampa da caixa do pó

**NOTA:** Quando o saco para pó não estiver instalado no aspirador, a tampa da caixa do pó não fecha completamente.

## Instalar o filtro de papel

Utilize o protetor de pó também quando instalar o filtro de papel. Tenha cuidado para não confundir o lado superior do lado inferior porque ambos são diferentes.

► **Fig.11:** 1. Lado superior do protetor de pó 2. Lado inferior do protetor de pó

1. Desdobre a entrada do filtro de papel antes de instalá-la no protetor de pó.

► **Fig.12**

2. Insira a saliência do filtro de papel na ranhura no protetor de pó conforme indicado na figura.

O filtro de papel não possui distinção entre os lados superior e inferior. Pode inserir a sua saliência de qualquer um dos lados na ranhura do protetor de pó.

► **Fig.13:** 1. Protetor de pó 2. Ranhura 3. Filtro de papel

3. Sobreponha a estrutura do protetor de pó com a do filtro de papel.

► **Fig.14**

4. Coloque o protetor de pó e o filtro de papel juntamente na cavidade do aspirador no mesmo sentido da seta no protetor de pó. Insira-os por completo nas ranhuras na cavidade do aspirador.

► **Fig.15:** 1. Ranhura

5. Coloque toda a parte do contentor do filtro de papel dentro da própria ferramenta.

► **Fig.16**

6. Feche completamente a tampa da caixa do pó.

► **Fig.17:** 1. Tampa da caixa do pó

**NOTA:** Quando o filtro de papel não estiver instalado no aspirador, a tampa da caixa do pó não fecha completamente.

## Instalar a correia de ombro

**⚠️ PRECAUÇÃO:** Tenha cuidado para que a correia de ombro não fique presa por objetos nas imediações.

**⚠️ PRECAUÇÃO:** Tenha cuidado para não deixar cair a correia de ombro do seu ombro quando utilizar o aspirador. Para conseguir manusear o aspirador com estabilidade, recomenda-se o uso da correia de ombro cruzada à frente do peito.

Prenda os ganchos da correia de ombro nos suportes do aspirador, conforme apresentado na figura.

► **Fig.18:** 1. Correia de ombro 2. Gancho 3. Suporte

**NOTA:** Também pode prender a correia de ombro ao saco macio (acessório opcional), conforme ilustrado.

► **Fig.19:** 1. Correia de ombro 2. Saco macio

# OPERAÇÃO

**⚠️ PRECAUÇÃO:** Segure sempre na pega quando transportar o aspirador. Se segurar a peça acessória para transportar, esta pode sair do aspirador e resultar em lesão física.

**⚠️ PRECAUÇÃO:** Não utilize o aparelho enquanto conduzir um veículo ou o motor estiver a funcionar.

**⚠️ PRECAUÇÃO:** Não agarre na junta da mangueira como indicado na figura. Pode prender o dedo se segurar na junta da mangueira.

► Fig.20: 1. Junta da mangueira

## Utilizar como aspirador

**NOTA:** Remova o acessório do soprador antes de aspirar. Se o acessório do soprador estiver preso ao aspirador, a potência de sucção pode ser reduzida.

## Instalar ou remover o acessório do aspirador

Para ligar um acessório como um bocal, rode e insira o acessório na mangueira em segurança. Para retirá-lo, rode e remova-o.

O modo de instalação varia em função dos bocais, conforme ilustrado.

► Fig.21: 1. Mangueira 2. Bocal de borracha  
3. Escova macia 4. Bocal para assentos  
5. Bocal para tapetes

## Aspirar

### Bocal de borracha

Este bocal é conveniente para limpar um cantos inferiores como uma cavidade na porta. O bocal de borracha é delicado para a superfície de limpeza.

► Fig.22: 1. Bocal de borracha

### Escova macia

Este bocal é conveniente para limpar as ranhuras de ventilação do ar condicionado, painel de instrumentos, etc. A cabeça da escova macia pode ser rodada em ângulo reto.

► Fig.23: 1. Escova macia

### Bocal para assentos

Este bocal possui escova do fiapo para limpar a superfície do assento. A escova lateral no bocal é útil para varrer o pó das costuras.

► Fig.24: 1. Bocal para assentos 2. Escova lateral

### Bocal para tapetes

Este bocal é utilizado para limpar o tapete do piso e a carpete. Os dentes no bocal ajudam a varrer grãos de areia.

► Fig.25: 1. Bocal para tapetes

**OBSERVAÇÃO:** Utilize sempre o bocal para tapetes para limpar um tapete. A utilização do bocal para tapetes para outros materiais pode arranhar a respetiva superfície.

## Limpeza sem o bocal

Pode aspirar sem o bocal.

► Fig.26

## Eliminar o pó

**⚠️ PRECAUÇÃO:** Esvazie o saco para pó ou substitua o filtro de papel antes de este ficar cheio. Caso contrário, a força de sucção/sopro enfraquece.

**⚠️ PRECAUÇÃO:** Quando fechar a tampa da caixa do pó tenha cuidado para não trilhar os dedos.

**OBSERVAÇÃO:** Nunca deite fora o protetor de pó porque deve ser utilizado sempre que o saco para pó ou o filtro de papel é utilizado.

**OBSERVAÇÃO:** Quando o saco para pó/filtro de papel não estiver dentro do aspirador, a tampa da caixa do pó não fecha completamente. Não force a tampa da caixa do pó para fechá-la. Pode resultar na deformação ou quebra da ferramenta.

**OBSERVAÇÃO:** Quando eliminar o pó, limpe também o compartimento do saco para pó/filtro de papel. O pó e a sujidade restantes no compartimento podem causar a obstrução do filtro de esponja ou danos no motor.

1. Abra a tampa da caixa do pó.

► Fig.27: 1. Tampa da caixa do pó

2. Retire o protetor de pó laranja e o saco para pó/filtro de papel conjuntamente ao mesmo tempo.

► Fig.28: 1. Protetor de pó

3. Quando utilizar o saco para pó

Remova o protetor de pó e esvazie o saco para pó.

► Fig.29: 1. Protetor de pó 2. Saco para pó

Quando utilizar o filtro de papel

Remova o protetor de pó e elimine o filtro de papel.

► Fig.30: 1. Protetor de pó 2. Filtro de papel

4. Coloque o saco para pó/novo filtro de papel e o protetor de pó conjuntamente no aspirador e feche a tampa da caixa do pó.

## Utilizar como soprador

**⚠️ PRECAUÇÃO:** Nunca aponte o bocal para ninguém que esteja nas proximidades.

**⚠️ PRECAUÇÃO:** Para evitar a inalação de pó, recomenda-se a abertura das janelas e também a utilização de óculos de proteção e máscara durante a operação.

**⚠️ PRECAUÇÃO:** Não puxe o acessório do soprador. Este pode soltar-se do aspirador.

**⚠️ PRECAUÇÃO:** Não utilize o aspirador para inflar objetos, tais como jangadas de borracha, bolas ou outros produtos infláveis. O aumento de rotação do motor poderá causar a quebra perigosa do ventilador.

**⚠️ PRECAUÇÃO:** Nunca bloqueie o bocal de sucção e/ou a saída do soprador. Tenha cuidado para não bloquear o bocal de sucção ou a saída do soprador com pó ou sujidade quando operar numa área poeirenta.

**⚠️ PRECAUÇÃO:** Não utilize bocais diferentes dos bocais fornecidos pela Makita.

## Instalar ou remover o acessório do soprador

Para prender o acessório do soprador, alinhe a saliência da porta do acessório do soprador com a ranhura no orifício de ventilação e empurre-a até encaixar.

► Fig.31: 1. Acessório do soprador

Para remover o acessório do soprador, puxe a porta para baixo enquanto pressiona a respetiva parte superior, conforme ilustrado.

► Fig.32

## Soprar

Aponte a ponta do acessório do soprador para o objeto a soprar e ligue a ferramenta.

► Fig.33

## MANUTENÇÃO

**⚠️ PRECAUÇÃO:** Certifique-se sempre de que a ferramenta se encontra desligada e de que a bateria foi retirada antes de executar qualquer inspeção ou manutenção.

**OBSERVAÇÃO:** Nunca utilize gasolina, benzina, diluente, álcool ou produtos semelhantes. Pode ocorrer a descoloração, deformação ou rachaduras.

Para manter a SEGURANÇA e a FIABILIDADE do produto, as reparações e qualquer outra manutenção ou ajuste devem ser levados a cabo pelos centros de assistência Makita autorizados ou pelos centros de assistência de fábrica, utilizando sempre peças de substituição Makita.

## Limpeza

Limpe periodicamente o exterior do aspirador (armação) com um pano humedecido em água e sabão. Limpe também a abertura de sucção, área de instalação do saco para pó/filtro de papel e o protetor de pó.

► Fig.34

Lave o saco para pó em água e sabão quando estiver obstruído com pó e quando a potência do aspirador ficar fraca. Seque-o completamente antes de utilizar. Um filtro que não esteja bem seco pode prejudicar a sucção e diminuir a vida útil do motor.

► Fig.35

**NOTA:** O filtro de papel é do tipo descartável.

Quando o filtro de esponja estiver entupido com pó, remova-o do aspirador e limpe-o ou lave-o com água.

## Remover e instalar o filtro de esponja

**⚠️ PRECAUÇÃO:** Após limpar o filtro de esponja, certifique-se de que o instala no aspirador. Se for lavado com água, seque-o antes de instalá-lo. Um filtro de esponja mal seco poderá diminuir a vida útil do motor.

Para remover o filtro de esponja, remova o saco para pó ou o filtro de papel e, de seguida, aperte-o e retire-o.

► Fig.36: 1. Filtro de esponja

Pressione para dentro todo o bordo do filtro de esponja contra a parede embutida no interior da área de montagem do saco para pó/filtro de papel.

► Fig.37: 1. Parede embutida

## Armazenamento

**⚠️ AVISO:** Nunca deixe a bateria e o carregador num carro. A temperatura no interior de um carro parado ao sol pode exceder 50 °C. Pode causar a deterioração da bateria e resultar na ejeção de líquido, emissão de fumo ou num incêndio.

► Fig.38

**⚠️ AVISO:** Nunca utilize o carregador enquanto armazena no saco de armazenamento. Bloquear o orifício de ventilação pode causar a emissão de fumo ou um incêndio.

► Fig.39

**⚠️ AVISO:** Nunca carregue a bateria com inversor no veículo. Isto pode causar calor anormal e resultar num incêndio.

**⚠️ AVISO:** Nunca carregue a bateria num carro. Se a bateria for exposta a uma gama de temperaturas fora de 10°C - 40°C, pode gerar calor e/ou incêndio ou explodir.

**⚠️ PRECAUÇÃO:** Armazene sempre a mangueira conforme ilustrado, de modo a evitar tropeçar quando não utilizar o aspirador. A mangueira desdobrada pode enrolar-se nos seus pés e provocar ferimentos pessoais.

► Fig.40: 1. Gancho 2. Mangueira

## Resolução de problemas

Antes de solicitar reparações, verifique os seguintes pontos.

Sintoma	Área a verificar	O que fazer
Potência de sucção fraca	O saco para pó ou o filtro de papel está cheio de pó?	Esvazie o saco para pó ou o filtro de papel.
	O saco para pó está entupido?	Retire o pó ou lave o saco para pó.
	O filtro de papel está obstruído?	Substitua o filtro de papel.
	A bateria está descarregada?	Carregue a bateria.
Não funciona	A bateria está descarregada?	Carregue a bateria.
A tampa da caixa do pó não fecha	O saco para pó ou o filtro de papel está instalado?	Instale o saco para pó ou o filtro de papel.

**OBSERVAÇÃO:** Não tente reparar o aspirador.

## ACESSÓRIOS OPCIONAIS

**⚠PRECAUÇÃO:** Estes acessórios ou peças são recomendados para utilização com a ferramenta Makita especificada neste manual. A utilização de outros acessórios ou peças pode ser perigosa para as pessoas. Utilize apenas acessórios ou peças para os fins indicados.

Se necessitar de informações adicionais relativas a estes acessórios, solicite-as ao seu centro de assistência Makita.

- Tubo extensor (tubo reto)
- Bocal
- Bocal para carpete
- Escova para prateleiras
- Bocal para cantos
- Escova redonda
- Mangueira flexível
- Filtro de papel
- Bocal livre
- Bocal para assentos
- Bocal para frestas
- Acessório de ciclone
- Saco para pó
- Saco para pó de alto desempenho
- Saco macio
- Bateria e carregador genuínos da Makita

**NOTA:** Alguns itens da lista podem estar incluídos na embalagem da ferramenta como acessórios padrão. Eles podem variar de país para país.

## ADVARSEL

Dette apparat kan bruges af børn på 8 år og derover samt af personer med nedsatte fysiske, sensoriske eller mentale evner eller manglende erfaring eller viden, hvis de er under opsyn eller har modtaget instruktion i sikker anvendelse af apparatet og forstår de farer, der er involveret. Børn må ikke lege med apparatet. Rengøring og brugervedligeholdelse må ikke udføres af børn, der ikke er under opsyn.

## SPECIFIKATIONER

Model:		DCL184
Kapacitet	med en støvpose	500 ml
	med et papirfilter	330 ml
Kontinuerlig anvendelse (med batteri BL1830B)	1 (Normal hastighedstilstand)	Cirka 80 min
	2 (Høj hastighedstilstand)	Cirka 30 min
	3 (Maks. hastighedstilstand)	Cirka 20 min
Samlet længde (med batteri BL1830B)		365 mm
Mærkespænding		D.C. 18 V
Nettovægt		1,8 - 2,2 Kg

- På grund af vores kontinuerlige forsknings- og udviklingsprogrammer kan hosstående specifikationer blive ændret uden varsel.
- Specifikationer kan variere fra land til land.
- Vægten inkluderer akku(er), men ikke tilbehør. Vægten af den letteste og tungeste kombination af apparat og akku(er) er vist i tabellen.

## Anvendelig akku og oplader

Akku	BL1815N / BL1820 / BL1820B / BL1830 / BL1830B / BL1840 / BL1840B / BL1850 / BL1850B / BL1860B
Oplader	DC18RC / DC18RD / DC18RE / DC18SD / DC18SE / DC18SF / DC18SH

- Nogle af de akkuer og opladere, der er angivet ovenfor, er muligvis ikke tilgængelige, afhængigt af hvilket område du bor i.

**⚠ ADVARSEL: Brug kun de akkuer og opladere, der er angivet ovenfor. Brug af andre akkuer og opladere kan medføre personskade og/eller brand.**

## Symboler

Følgende viser de symboler, der muligvis anvendes til udstyret. Sørg for, at du forstår deres betydning før brugen.



Læs betjeningsvejledningen.



Kun for landene i EU  
Bortskaf ikke elektrisk udstyr eller batteripakken sammen med husholdningsaffald! I overensstemmelse med det europæiske direktiv om bortskaffelse af affald fra elektriske og elektroniske produkter samt batterier og akkuer, samt bortskaffelse af batterier og akkuer, og deres anvendelse i overensstemmelse med nationale love skal elektrisk udstyr samt batterier og batteripakke(r), der har nået udløbet af deres levetid, indsamles separat og returneres til en miljøvenlig genanvendelsesfacilitet.

## Tilsigtet anvendelse

Denne maskine er beregnet til opsugning af tørt støv.



# SIKKERHEDSADVARSLER

## Sikkerhedsadvarsler for akku støvsuger

**⚠ ADVARSEL: VIGTIGT! LÆS OMHYGGELEGT alle sikkerhedsadvarsler og alle instruktioner FØR BRUGEN.** Hvis advarslerne og instruktionerne ikke overholdes, kan det medføre elektrisk stød, brand og/eller alvorlig personskade.

1. Udsæt ikke for regn. Opbevares inden døre.
2. Må ikke benyttes som legetøj. Nøje overvågning er nødvendig, hvis den anvendes af eller i nærheden af børn.
3. Anvend kun som beskrevet i denne brugsvejledning. Anvend kun tilbehørsdele, som anbefales af fabrikanten.
4. Anvend ikke med et beskadiget batteri. Hvis apparatet ikke virker, som det skal, er blevet tabt, beskadiget, efterladt uden døre eller har været tabt i vand, skal det indleveres til et servicecenter.
5. Rør ikke ved apparatet med våde hænder.
6. Stik ikke nogen genstande ind i åbningerne. Anvend ikke med blokerede åbninger. Hold dem fri for støv, fnug, hår og alt, hvad der kan hindre luftstrømmen.
7. Hold hår, løse beklædningsgenstande, fingre og alle kroppsdele på god afstand af åbningerne og de bevægende dele.
8. Deaktiver alle kontroller, inden batteriet tages ud.
9. Udvis ekstra forsigtighed ved rengøring på trapper.
10. Anvend ikke til at opsuge brændbare eller letantændelige væsker som for eksempel benzin, og anvend ikke på steder, hvor disse væsker kan forefindes.
11. Anvend kun den oplader, som leveres af fabrikanten, til genopladning.
12. Opsug ikke noget, som brænder eller ryger, for eksempel cigaretter, tændstikker eller varm aske.
13. Anvend ikke, uden at støvposen og/eller filterne er sat på plads.
14. Oplad ikke batteriet uden døre.
15. Genoplad kun med den oplader, der er angivet af fabrikanten. En oplader, der er beregnet til én type akku, kan forårsage risiko for brand, hvis den bruges med en anden akku.
16. Brug kun maskiner sammen med de specifikt tilhørende akkuer. Brug af andre akkuer kan medføre risiko for personskade og brand.
17. Når akkuen ikke anvendes, skal du holde den på afstand af andre metalgenstande som f.eks. papirclips, mønter, nøgler, søm, skruer eller andre små metalgenstande, der kan skabe forbindelse fra én terminal til en anden.
18. Ved misbrug kan der sprøjte væske ud fra batteriet. Undgå kontakt. Skyl med vand i tilfælde af kontakt.

19. Undlad at bruge en akku eller maskine, der er beskadiget eller ændret. Beskadigede eller ændrede batterier kan fungere uforudsigeligt og medføre brand, eksplosion eller risiko for personskade.
20. Undlad at udsætte en akku eller maskine for brand eller høje temperaturer. Udsættelse for brand eller temperaturer på over 130 °C kan medføre eksplosion.
21. Følg alle instruktioner vedrørende opladning, og undlad at oplade akkuen eller maskinen uden for det temperaturinterval, der er angivet i instruktionerne. Opladning, der udføres forkert eller ved temperaturer uden for det angivne temperaturinterval, kan beskadige batteriet og medføre øget risiko for brand.

## GEM DENNE BRUGSANVISNING.

### SUPPLERENDE SIKKERHEDSREGLER

Dette apparat er beregnet til husholdningsbrug.

1. Læs denne brugsvejledning og instruktionerne for opladning grundigt inden brugen.
2. Undlad at samle følgende materialer op:
  - Varme materialer som for eksempel tændte cigaretter eller gnister/metalstøv, som er frembragt ved slibning/skæring af metal
  - Brændbare materialer som for eksempel benzin, fortynder, rensebenzin, petroleum og maling
  - Eksplosive materialer som for eksempel nitroglycerin
  - Antændelige materialer som for eksempel aluminium, zink, magnesium, titan, fosfor eller celluloid
  - Vådt snavs, vand, olie eller lignende
  - Hårde genstande med skarpe kanter som for eksempel træspåner, metal, sten, glas, søm, knappenåle og barberblade
  - Pulver, der størkner, for eksempel cement og toner
  - Ledende støv som for eksempel metal eller kulfiber
  - Fine partikler som for eksempel betonstøvDette kan forårsage brand, personskade og/eller materiel skade.
3. Hold øjeblikkeligt op med brugen, hvis du registrerer noget unormalt.
4. Hvis du kommer til at tabe eller støde til støvsugeren, skal du omhyggeligt efterse den for revner eller anden beskadigelse inden brugen.
5. Hold den på god afstand af ovne og andre varmekilder.
6. Undlad at blokere ind sugningsåbningen eller ventilationshullerne.

## GEM DENNE BRUGSANVISNING.

## Vigtige sikkerhedsinstruktioner for akkuen

1. Læs alle instruktioner og advarselmærkater på (1) akku-opladeren, (2) akkuen og (3) produktet, som anvender akku.
2. Adskil eller ændr ikke akkuen. Det kan muligvis resultere i en brand, overdreven varme eller eksplosion.
3. Hold straks op med anvendelsen, hvis brugstiden er blevet stærkt afkortet. Fortsat anvendelse kan resultere i risiko for overophedning, forbrændinger og endog eksplosion.
4. Hvis De har fået elektrolytvæske i øjnene, skal De straks skylle den ud med rent vand og derefter øjeblikkeligt søge lægehjælp. I modsat fald kan De miste synet.
5. Vær påpasselig med ikke at komme til at kortslutte akkuen:
  - (1) Rør ikke ved terminalerne med noget ledende materiale.
  - (2) Undgå at opbevare akkuen i en beholder sammen med andre genstande af metal, for eksempel søm, mønter og lignende.
  - (3) Udsæt ikke akkuen for vand eller regn.Kortslutning af akkuen kan forårsage en kraftig øgning af strømmen, overophedning, mulige forbrændinger og endog værktøjstop.
6. Opbevar og brug ikke maskinen og akkuen på steder, hvor temperaturen muligvis kan nå eller overstige 50 °C.
7. Lad være med at brænde akkuen, selv ikke i tilfælde, hvor den har lidt alvorlig skade eller er fuldstændig udtjent. Akkuen kan eksplodere, hvis man forsøger at brænde den.
8. Slå ikke søm i, skær ikke i, knus, kast, tab ikke akkuen og stød ikke akkuen mod en hård genstand. Sådan adfærd kan muligvis resultere i en brand, overdreven varme eller eksplosion.
9. Anvend ikke en beskadiget akku.
10. De indbyggede litium-ion-batterier er underlagt lovkrav vedrørende farligt gods. Ved kommerciel transport, f.eks. af tredjeparts transportselskaber, skal særlige krav til forpakning og mærkning overholdes. Ved forberedelse af udstyret til forsendelse skal du kontakte en ekspert i farligt gods. Overhold også eventuel mere detaljeret national lovgivning. Tape eller tildæk åbne kontakter, og pak batteriet på en måde, så det ikke kan flytte sig rundt i pakningen.
11. Når akkuen bortskaffes, skal du fjerne den fra maskinen og bortskaffe den på et sikkert sted. Følg de lokale love vedrørende bortskaffelsen af batterier.
12. Brug kun batterierne med de produkter, som Makita specificerer. Hvis batterierne installeres i ikke-kompatible produkter, kan det medføre brand, kraftig varme, eksplosion eller udsivning af elektrolyt.
13. Hvis maskinen ikke skal bruges i længere tid ad gangen, skal du fjerne batteriet fra maskinen.
14. Akkuen kan muligvis under og efter brug være varm, hvilket kan forårsage forbrændinger eller lavtemperaturforbrændinger. Vær påpasselig med håndtering af varme akkuer.
15. Rør ikke terminalen på maskinen straks efter brug, da den bliver varm nok til at forårsage forbrændinger.
16. Sørg for at spåner, støv eller jord ikke sætter sig fast inde i terminalerne, hullerne og rillerne på akkuen. Det kan muligvis medføre dårlig ydelse eller nedbrud af maskinen eller akkuen.

17. Medmindre maskinen understøtter brugen i nærheden af elektriske højspændingsledninger, skal du ikke anvende akkuen i nærheden af elektriske højspændingsledninger. Det kan muligvis medføre funktionsfejl på eller nedbrud af maskinen eller akkuen.
18. Opbevar batteriet utilgængeligt for børn.

## GEM DENNE BRUGSANVISNING.

**⚠FORSIGTIG:** Brug kun originale batterier fra Makita. Brug af uoriginale Makita-batterier, eller batterier som er blevet ændret, kan muligvis medføre brud på batteriet, hvilket kan forårsage brand, personskade eller beskadigelse. Det ugyldiggør også Makita-garantien for Makita-maskinen og opladeren.

## Tips til opnåelse af maksimal akku-levetid

1. Oplad akkuen, inden den er helt afladet. Stop altid værktøjet, og oplad akkuen, hvis De bemærker, at værktøjeffekten er aftagende.
2. Genoplad aldrig en fuldt opladet akku. Overopladning vil afkorte akkuens levetid.
3. Oplad akkuen ved stuetemperatur ved 10 °C - 40 °C. Lad altid en varm akku få tid til at køle af, inden den oplades.
4. Når du ikke anvender akkuen, skal du fjerne den fra maskinen eller opladeren.
5. Oplad akkuen, hvis De ikke skal bruge den i længere tid (mere end seks måneder).

## FUNKTIONSBESKRIVELSE

**⚠FORSIGTIG:** Sørg altid for at maskinen er slukket, og at akkuen er taget ud, før der udføres justering eller kontrol af funktioner på maskinen.

**⚠FORSIGTIG:** Vær påpasselig med ikke at få fingrene i klemme mellem støvsugeren og batteriet, når du sætter batteriet i. Hvis du får fingrene i klemme, kan det medføre personskade.

## Isætning eller fjernelse af akkuen

**⚠FORSIGTIG:** Sluk altid for værktøjet, før De monterer eller fjerner akkuen.

**⚠FORSIGTIG:** Hold værktøjet og akkuen fast ved montering eller fjernelse af akkuen. Hvis De ikke holder værktøjet og akkuen fast, kan de glide ud af hænderne på Dem og forårsage beskadigelse af værktøjet og akkuen eller personskade.

► Fig. 1: 1. Rød indikator 2. Knap 3. Akku

Akkuen fjernes ved, at De trækker den ud af værktøjet, idet De skyder knappen på forsiden af akkuen i stilling.

Akkuen monteres ved, at De sætter tungen på akkuen ud for noten i kabinettet og lader den glide på plads. Sæt den hele vejen ind, så den låses på plads med et lille klik. Hvis den røde indikator på oversiden af knappen er synlig, betyder det, at den ikke er tilstrækkeligt låst.

**⚠FORSIGTIG:** Monter altid akkuen helt, indtil den røde indikator ikke længere er synlig. Hvis dette ikke gøres, kan den falde ud af værktøjet ved et uheld, hvorved De selv eller personer i nærheden kan komme til skade.

**⚠FORSIGTIG:** Brug ikke magt ved montering af akkuen. Hvis akkuen ikke glider på plads uden problemer, betyder det, at den ikke sættes i på korrekt vis.

## Beskyttelsessystem til maskine/ batteri

Maskinen er forsynet med et beskyttelsessystem til maskine/batteri. Systemet afbryder automatisk strømmen til motoren for at forlænge maskinens og batteriets levetid.

Maskinen stopper automatisk under driften, hvis maskinen eller batteriet kommer i en af følgende situationer. Under nogle forhold tændes indikatorlampen.

► **Fig.2:** 1. Indikatorlampe

## Overbelastningsbeskyttelse

Hvis maskinen anvendes på en måde, der bevirker, at den forbruger en unormal mængde strøm, stopper maskinen automatisk, og indikatoren lyser i cirka 60 sekunder. Sluk i så fald for maskinen, og stop den anvendelse, der medførte, at maskinen blev overbelastet. Tænd derefter for maskinen for at starte igen.

## Overophedningsbeskyttelse

Hvis maskinen/batteriet er overophedet, stopper maskinen automatisk, og batteriindikatoren lyser i cirka 60 sekunder. Maskinen starter ikke, selvom du tænder for maskinen. Lad i så fald batteriet køle af, før du tænder for maskinen igen.

## Overophedningsbeskyttelse

Indikatoren blinker, når den resterende batteriladning bliver lav. Hvis maskinen bruges yderligere, stopper maskinen, og indikatoren lyser i cirka 60 sekunder. Hvis du tænder for maskinen, kører motoren igen, men stopper i løbet af kort tid. I denne situation skal du oplade akkuen.

**BEMÆRK:** Det tidspunkt, hvor lampen tændes, afhænger af temperaturen i arbejdsområdet og akkuens tilstand.

## Indikation af den resterende batteriladning

**Kun til akkuer med indikatoren**

► **Fig.3:** 1. Indikatorlamper 2. Kontrolknap

Tryk på kontrolknappen på akkuen for at få vist den resterende batteriladning. Indikatorlampen lyser i nogle sekunder.

Indikatorlamper			Resterende ladning
Tændt	Slukket	Blinker	
■ ■ ■ ■			75% til 100%
■ ■ ■ □			50% til 75%
■ ■ □ □			25% til 50%
■ □ □ □			0% til 25%
▬ □ □ □			Genoplad batteriet.
■ ■ □ □			Der er muligvis fejl i batteriet.
□ □ ■ ■			

**BEMÆRK:** Afhængigt af brugsforholdene og den omgivende temperatur kan indikationen afvige en smule fra den faktiske ladning.

## Afbryderbetjening

► **Fig.4:** 1. TIL/hastighedsknap 2. FRA-knap

For at starte støvsugerens trykkes der blot på TIL/hastighedsknappen. Tryk på FRA-knappen for at slukke.

Du kan ændre støvsugerens hastighed i tre trin ved at trykke på TIL/hastighedsknappen.

Det første tryk på denne knap er for høj hastighedstilstand, det andet tryk er for maks. hastighedstilstand, og det tredje tryk er for normal hastighed. Hvert tryk på denne knap gentager cyklussen høj/maks./normal hastighed skiftevis.

## SAMLING

**⚠FORSIGTIG:** Sørg altid for at maskinen er slukket, og at akkuen er taget ud, før der udføres noget arbejde på maskinen.

## Støvpose og papirfilter

Monter enten støvposen eller papirfilteret, før støvsugerens anvendes.

Brug støvstopperen ved monteringen af enten støvposen eller papirfilteret.

Støvposen kan genbruges mange gange ved at tømme den.

Papirfilteret er en type til bortskaffelse. Smid hele papirfilteret ud uden at tømme det, når det er fuldt.

**BEMÆRKNING:** Sådan forhindres det, at der kommer støv ind i motoren:

- Sørg for, at enten støvposen eller papirfilteret er monteret før brugen.
- Sæt støvstopperen sammen med støvposen eller papirfilteret hele vejen ind i åbningerne, når de monteres.
- Anvend ikke en beskudiget eller flået pose.

Ellers kan motoren gå i stykker.

**BEMÆRKNING:** Fold ikke pappet ved åbningen, når papirfilteret monteres.

**BEMÆRKNING:** Smid aldrig støvstopperen væk, da den skal bruges flere gange, når du anvender enten støvposen eller papirfilteret.

**BEMÆRKNING:** Papirfilteret til støvsugeren er en vigtig komponent for at opretholde maskinens ydelse. Brug af andet end det ægte papirfilter kan medføre røgudvikling eller antænding.

## Montering af støvpose

Brug støvstopperen ved monteringen af støvposen. Vær forsigtig med ikke at tage fejl af oversiden og undersiden ved en fejltagelse, da de er forskellige fra hinanden.

► **Fig.5:** 1. Overside af støvstopperen 2. Underside af støvstopperen

1. Sæt fremspringet på støvposen ind i rillen på støvstopperen som vist i figuren.

Støvposen har ikke en forskel mellem over- og undersiden. Du kan indsætte fremspringet på begge sider i rillen på støvstopperen.

► **Fig.6:** 1. Støvstopper 2. Rille 3. Støvpose

2. Lad rammen på støvstopperen overlape med rammen på støvposen.

► **Fig.7**

3. Sæt støvstopperen og støvposen sammen ind i hulrummet i støvsugeren i retningen af pilen på støvstopperen. Sæt dem hele vejen ind i åbningerne i hulrummet i støvsugeren.

► **Fig.8:** 1. Åbning

4. Sæt hele stofdelen af støvposen ind i selve støvsugeren.

► **Fig.9**

5. Luk dækslet til støvbakken helt.

► **Fig.10:** 1. Dæksel til støvbakke

**BEMÆRK:** Når støvposen ikke er installeret i støvsugeren, kan dækslet til støvbakken ikke lukkes helt.

## Montering af papirfilteret

Brug støvstopperen ved monteringen af papirfilteret. Vær forsigtig med ikke at tage fejl af oversiden og undersiden ved en fejltagelse, da de er forskellige fra hinanden.

► **Fig.11:** 1. Overside af støvstopperen 2. Underside af støvstopperen

1. Fold indgangen på papirfilteret ud, før det sættes på støvstopperen.

► **Fig.12**

2. Sæt fremspringet på papirfilteret ind i rillen på støvstopperen som vist i figuren.

Papirfilteret har ikke en forskel mellem over- og undersiden. Du kan indsætte fremspringet på begge sider i rillen på støvstopperen.

► **Fig.13:** 1. Støvstopper 2. Rille 3. Papirfilter

3. Lad rammen på støvstopperen overlape med rammen på papirfilteret.

► **Fig.14**

4. Sæt støvstopperen og papirfilteret sammen ind i hulrummet i støvsugeren i retningen af pilen på støvstopperen. Sæt dem hele vejen ind i åbningerne i hulrummet i støvsugeren.

► **Fig.15:** 1. Åbning

5. Sæt hele beholderdelen af papirfilteret ind i selve maskinen.

► **Fig.16**

6. Luk dækslet til støvbakken helt.

► **Fig.17:** 1. Dæksel til støvbakke

**BEMÆRK:** Når papirfilteret ikke er installeret i støvsugeren, kan dækslet til støvbakken ikke lukkes helt.

## Installation af skulderselen

**⚠FORSIGTIG:** Sørg for, at skulderselen ikke griber fat i genstande i omgivelserne.

**⚠FORSIGTIG:** Sørg for ikke at lade skulderselen glide af din skulder, når du bruger støvsugeren. For stabil håndtering af støvsugeren anbefales det at lade skulderselen krydse foran på brystet.

Fastgør krogene på skulderselen til monteringerne på maskinen som vist på figuren.

► **Fig.18:** 1. Skuldersæle 2. Krog 3. Montering

**BEMÆRK:** Du kan også montere skulderselen på den bløde pose (ekstraudstyr) som vist.

► **Fig.19:** 1. Skuldersæle 2. Blød pose

## ANVENDELSE

**⚠FORSIGTIG:** Hold altid fast i håndtaget, når støvsugeren bæres. Hvis du holder fast i tilbehøret for at bære den, kan den falde af støvsugeren og forårsage personskade.

**⚠FORSIGTIG:** Brug ikke apparatet mens du kører en bil, eller motoren kører.

**⚠FORSIGTIG:** Tag ikke fat i slangesamlingen som vist i illustrationen. Hvis du holder i slangesamlingen, kan du få fingeren i klemme.

► **Fig.20:** 1. Slangesamling

## Brug som støvsuger

**BEMÆRK:** Fjern blæsertilbehøret, før du støvsuger. Hvis blæsertilbehøret er monteret på støvsugeren, vil sugekraften være reduceret.

## Montering eller fjernelse af støvsugertilbehøret

For at tilslutte et stykke tilbehør som for eksempel et mundstykke skal man dreje og indsætte det fast på slangen. For at frigøre det skal man dreje og fjerne det. Monteringsmetoden varierer afhængigt af mundstykkekerne som vist.

- **Fig.21:** 1. Slange 2. Gummimundstykke  
3. Blød børste 4. Møbelmundstykke  
5. Måttemouthstykke

## Støvsugning

### Gummimundstykke

Dette mundstykke er praktisk ved rengøring af lave hjørner såsom en dørlomme. Gummimundstykket er nænsomt over for den overflade, der rengøres.

- **Fig.22:** 1. Gummimundstykke

### Blød børste

Dette mundstykke er praktisk til rengøring af airconditionventiler, instrumentbrætter osv. Hovedet på den bløde børste kan drejes til den rette vinkel.

- **Fig.23:** 1. Blød børste

### Møbelmundstykke

Dette mundstykke har lintbørster til rengøring af møbel-flader. Sidebørsten på mundstykket er praktisk til at trække støv ud af sømmene.

- **Fig.24:** 1. Møbelmundstykke 2. Sidebørste

### Måttemouthstykke

Dette mundstykke bruges til rengøring af gulvmåtter og tæpper. Tænderne på mundstykket hjælper med at trække sandkorn ud.

- **Fig.25:** 1. Måttemouthstykke

**BEMÆRKNING:** Anvend altid måttemouthstykkeket til rengøring af en måtte. Brug af måttemouthstykkeket til andre materialer kan muligvis ridse dets overflade.

## Rengøring uden mundstykke

Du kan støvsuge uden mundstykket.

- **Fig.26**

## Bortskaffelse af støv

**⚠FORSIGTIG:** Tøm støvposen, eller udskift papirfilteret, før de bliver fyldt. Hvis du ikke gør det, reduceres suge-/blæsekræften.

**⚠FORSIGTIG:** Pas på ikke at få fingrene i klemme, når du lukker dækslet til støvbakken.

**BEMÆRKNING:** Smid aldrig støvstopperen væk, da den skal bruges, når du anvender enten støvposen eller papirfilteret.

**BEMÆRKNING:** Når støvposen/papirfilteret ikke er installeret inde i støvsugeren, kan dækslet til støvbakken ikke lukkes helt. Undlad at bruge magt for at lukke dækslet til støvbakken. Det kan medføre, at maskinen bliver deformeret eller går i stykker.

**BEMÆRKNING:** Ved bortskaffelse af støv skal du også rengøre rummet til støvposen/papirfilteret. Det resterende støv og snavs i rummet kan medføre, at svampfilteret blive tilstoppet, eller at motoren bliver beskadiget.

1. Åbn dækslet til støvbakken.

- **Fig.27:** 1. Dæksel til støvbakke

2. Træk både den orange støvstopper og støvposen/papirfilteret ud samtidig.

- **Fig.28:** 1. Støvstopper

3. Ved brug af støvposen

Fjern støvstopperen, og tøm støvposen.

- **Fig.29:** 1. Støvstopper 2. Støvpose

### Ved brug af papirfilteret

Fjern støvstopperen, og bortskaf papirfilteret.

- **Fig.30:** 1. Støvstopper 2. Papirfilter

4. Sæt støvposen/det nye papirfilter samt støvstopperen sammen ind i støvsugeren, og luk dækslet til støvbakken.

## Brug som blæser

**⚠FORSIGTIG:** Ret aldrig mundstykket mod nogen i nærheden.

**⚠FORSIGTIG:** For at forhindre indånding af støv anbefales det at åbne vinduerne, og også anvende beskyttelsesbriller og maske under betjening.

**⚠FORSIGTIG:** Træk ikke i blæsertilbehøret. Det kan muligvis løsne sig fra støvsugeren.

**⚠FORSIGTIG:** Brug ikke støvsugeren til at blæse luft ind i genstande, for eksempel gummibåde, bolde eller andre genstande, der kan pumpes op. De øgede motoromdrejninger kan resultere i farlige brud på ventilatoren.

**⚠FORSIGTIG:** Blokér aldrig sugeåbningen og/eller blæserudgangen. Pas på ikke at blokere sugeåbningen eller blæserudgangen med støv eller snavs, når du arbejder i et støvet område.

**⚠FORSIGTIG:** Brug ikke andre mundstykker end mundstykkerne fra Makita.

## Montering eller fjernelse af blæsertilbehøret

Blæsertilbehøret monteres ved at justere fremspringet på blæsertilbehørets port i forhold til rillen på åbningen og derefter skubbe den, indtil den klikker på plads.

- **Fig.31:** 1. Blæsertilbehør

Hvis du vil fjerne blæsertilbehøret, skal du trække porten nedad, idet der trykkes på toppen som vist.

- **Fig.32**

## Blæsning

Ret spidsen af blæsertilbehøret mod det objekt, der skal blæses væk, og tænd for maskinen.

► Fig.33

## VEDLIGEHOELSE

**⚠FORSIGTIG:** Vær altid sikker på, at værktøjet er slukket, og at akkuen er taget ud, inden De begynder at udføre inspektion eller vedligeholdelse.

**BEMÆRKNING:** Anvend aldrig benzin, rensebenzin, fortynder, alkohol og lignende. Det kan medføre misfarvning, deformation eller revner.

For at opretholde produktets SIKKERHED og PALIDELIGHED må reparation, vedligeholdelse eller justering kun udføres af et autoriseret Makita servicecenter eller fabrikksservicecenter med anvendelse af Makita reservedele.

## Rengøring

Aftør fra tid til anden ydersiden (støvsugerkabinettet) af støvsugeren med en klud, som er fugtet med sæbevand.

Rengør også sugeåbningen, støvposens/papirfilterets monteringsdel og støvstopperen.

► Fig.34

Vask støvposen med sæbevand, hvis den er tilstoppet af støv, og støvsugerens kraft er svag. Tør det grundigt inden ibrugtagning. Et utilstrækkeligt tørt filter kan give dårlig sugning og afkorte motorens levetid.

► Fig.35

**BEMÆRK:** Papirfilteret er en type til bortskaffelse.

Når svampefilteret er tilstoppet med støv, skal det tages ud af støvsugeren og derefter aftørres eller vaskes i vand.

## Fejlfinding

Tjek følgende punkter, før du beder om reparation.

Symptom	Del, der skal undersøges	Reparationsmetode
Svag sugekraft	Er støvposen eller papirfilteret fulde af støv?	Tøm støvposen eller papirfilteret.
	Er støvposen tilstoppet?	Fjern støvet, eller vask støvposen.
	Er papirfilteret tilstoppet?	Udskift papirfilteret.
	Er akkuen afladet?	Oplad akkuen.
Fungerer ikke	Er akkuen afladet?	Oplad akkuen.
Dækslet til støvbakken lukkes ikke	Er støvposen eller papirfilteret sat i?	Indsæt støvposen eller papirfilteret.

**BEMÆRKNING:** Forsøg ikke selv at reparere støvsugeren.

## Afmontering og montering af svampefilteret

**⚠FORSIGTIG:** Sørg for at montere svampefilteret i støvsugeren, efter at du har rengjort det. Hvis det er blevet vasket i vand, skal det tørres før monteringen. Et utilstrækkeligt tørt svampefilter kan afkorte motorens levetid.

For at fjerne svampefilteret skal du fjerne støvposen eller papirfilteret og derefter knibe sammen og tage det ud.

► Fig.36: 1. Svampefilter

Tryk hele kanten af svampefilteret mod den forsænkede væg inde i monteringsområdet for støvposen/papirfilteret.

► Fig.37: 1. Forsænket væg

## Opbevaring

**⚠ADVARSEL:** Lad aldrig akkuen og opladeren ligge i en bil. Temperaturen i en bil, der står i solen, kan overstige 50 °C. Det kan forringe akkuen og medføre udsivning af væske, røgdannelse eller brand.

► Fig.38

**⚠ADVARSEL:** Brug aldrig opladeren mens den opbevares i en pose til opbevaring. Hvis ventilationsåbningen blokeres, kan det medføre røgdannelse eller brand.

► Fig.39

**⚠ADVARSEL:** Oplad aldrig akkuen med en veksleretter i en bil. Det kan medføre unormal varme og forårsage brand.

**⚠ADVARSEL:** Oplad aldrig akkuen i en bil. Hvis akkuen udsættes for temperaturer uden for intervallet 10 °C-40 °C, kan den generere varme og/eller bryde i brand eller eksplodere.

**⚠FORSIGTIG:** Opbevar altid slangen som vist for at undgå at snuble, når støvsugeren ikke bruges. Den udfoldede slange kan gribe fat i din fod og forårsage personskade.

► Fig.40: 1. Krog 2. Slange

# EKSTRAUDSTYR

**⚠️ FORSIGTIG:** Det følgende tilbehør og ekstraudstyr er anbefalet til brug med Deres Makita maskine, der er beskrevet i denne brugsanvisning. Anvendelse af andet tilbehør eller ekstraudstyr kan udgøre en risiko for personskade. Anvend kun tilbehør og ekstraudstyr til det beskrevne formål.

Hvis De behøver hjælp ved valg af tilbehør eller ønsker yderligere informationer, bedes De kontakte Deres lokale Makita servicecenter.

- Forlængerstav (lige rør)
- Mundstykke
- Tæppemundstykke
- Børste til hylder
- Hjørnemundstykke
- Rund børste
- Fleksibel slange
- Papirfilter
- Frit mundstykke
- Møbelmundstykke
- Revnemundstykke
- Hvirveltilbehør
- Støvpose
- Højtydende støvpose
- Blød pose
- Original Makita-akku og oplader

**BEMÆRK:** Nogle ting på denne liste kan være inkluderet i værktøjspakken som standardtilbehør. Det kan være forskellige fra land til land.

## ΠΡΟΕΙΔΟΠΟΙΗΣΗ

Η συσκευή αυτή μπορεί να χρησιμοποιηθεί από παιδιά άνω των 8 ετών και άτομα με μειωμένες σωματικές, αισθητήριες ή διανοητικές ικανότητες ή που δεν έχουν πείρα και γνώσεις, αν επιτηρούνται ή τους έχουν δοθεί οδηγίες για την ασφαλή χρήση της συσκευής και κατανοούν τους κίνδυνους που εμπλέκονται. Τα παιδιά δεν πρέπει να παίζουν με τη συσκευή. Οι εργασίες καθαρισμού και συντήρησης από το χρήστη δεν θα πρέπει να γίνονται από παιδιά χωρίς επιτήρηση.

## ΠΡΟΔΙΑΓΡΑΦΕΣ

Μοντέλο:		DCL184
Χωρητικότητα	με σάκο σκόνης	500 mL
	με χάρτινο φίλτρο	330 mL
Συνεχόμενη χρήση (με μπαταρία BL1830B)	1 (Τρόπος λειτουργίας κανονικής ταχύτητας)	Περίπου 80 λεπτά
	2 (Τρόπος λειτουργίας υψηλής ταχύτητας)	Περίπου 30 λεπτά
	3 (Τρόπος λειτουργίας μέγιστης ταχύτητας)	Περίπου 20 λεπτά
Συνολικό μήκος (με μπαταρία BL1830B)		365 mm
Ονομαστική τάση		D.C. 18 V
Καθαρό βάρος		1,8 - 2,2 kg

- Λόγω του συνεχιζόμενου προγράμματος έρευνας και ανάπτυξης, οι προδιαγραφές αυτές υπόκεινται σε αλλαγές χωρίς προειδοποίηση.
- Τα τεχνικά χαρακτηριστικά μπορεί να διαφέρουν από χώρα σε χώρα.
- Το βάρος δεν περιλαμβάνει εξαρτήματα αλλά την(ις) κασέτα(ες) μπαταριών. Το μικρότερο και μεγαλύτερο βάρος των συνδυασμών της συσκευής και της(ων) κασέτας(ών) μπαταριών απεικονίζονται στον πίνακα.

### Ισχύουσα κασέτα μπαταριών και φορτιστής

Κασέτα μπαταρίας	BL1815N / BL1820 / BL1820B / BL1830 / BL1830B / BL1840 / BL1840B / BL1850 / BL1850B / BL1860B
Φορτιστής	DC18RC / DC18RD / DC18RE / DC18SD / DC18SE / DC18SF / DC18SH

- Ορισμένες από τις κασέτες και τους φορτιστές μπαταριών που αναγράφονται παραπάνω ίσως να μην είναι διαθέσιμοι, ανάλογα με την τοποθεσία κατοικίας σας.

**⚠ ΠΡΟΕΙΔΟΠΟΙΗΣΗ:** Να χρησιμοποιείτε μόνο τις κασέτες μπαταριών και τους φορτιστές που παρατίθενται ανωτέρω. Η χρήση οποιασδήποτε άλλης κασέτας μπαταριών ή φορτιστή μπορεί να προκαλέσει τραυματισμό ή/και πυρκαγιά.

### Σύμβολα

Παρακάτω παρουσιάζονται τα σύμβολα που μπορούν να χρησιμοποιηθούν για τον εξοπλισμό. Βεβαιωθείτε ότι κατανοείτε τη σημασία τους πριν από τη χρήση.



Διαβάστε το εγχειρίδιο οδηγιών.





Μόνο για τις χώρες της ΕΕ

Μην απορρίψετε ηλεκτρικό εξοπλισμό ή την μπαταρία μαζί με τα οικιακά απορρίμματα! Σύμφωνα με τις Ευρωπαϊκές Οδηγίες για τον απόβλητο ηλεκτρικό και ηλεκτρονικό εξοπλισμό και τις μπαταρίες και συσσωρευτές και τις απόβλητες μπαταρίες και συσσωρευτές και την ενσωμάτωσή τους σύμφωνα με την εθνική νομοθεσία, ο ηλεκτρικός εξοπλισμός και η μπαταρία και τα πακέτα μπαταριών που έχουν φάσει το τέλος ζωής τους πρέπει να συλλέγονται ξεχωριστά και να επιστρέφονται σε εγκαταστάσεις περιβαλλοντικά συμβατής ανακύκλωσης.

## Προοριζόμενη χρήση

Το εργαλείο προορίζεται για τη συλλογή ξηρής σκόνης.

## ΠΡΟΕΙΔΟΠΟΙΗΣΕΙΣ ΑΣΦΑΛΕΙΑΣ

### Προειδοποιήσεις ασφάλειας για τη φορητή σκούπα

**⚠ ΠΡΟΕΙΔΟΠΟΙΗΣΗ: ΣΗΜΑΝΤΙΚΟ! ΔΙΑΒΑΣΤΕ ΠΡΟΣΕΚΤΙΚΑ** όλες τις προειδοποιήσεις για την ασφάλεια και όλες τις οδηγίες ΠΡΙΝ ΑΠΟ ΤΗ ΧΡΗΣΗ. Η μη τήρηση των προειδοποιήσεων και οδηγιών μπορεί να καταλήξει σε ηλεκτροπληξία, πυρκαγιά ή/και σοβαρό τραυματισμό.

1. Να μην εκτίθεται σε βροχή. Να φυλάσσεται σε εσωτερικό χώρο.
2. Δεν επιτρέπεται η χρήση της ως παιχνίδι. Απαιτείται ιδιαίτερη προσοχή κατά τη χρήση από ή κοντά σε παιδιά.
3. Να χρησιμοποιείται μόνο σύμφωνα με τις οδηγίες του παρόντος εγχειριδίου. Να χρησιμοποιούνται μόνο τα εξαρτήματα που συνιστά ο κατασκευαστής.
4. Να μη χρησιμοποιείται με μπαταρία που έχει υποστεί βλάβη. Αν η συσκευή δεν λειτουργεί όπως θα έπρεπε, έχει υποστεί πτώση ή βλάβη, έχει αερευθεί σε εξωτερικό χώρο ή έχει πέσει μέσα σε νερό, να επιστραφεί σε κέντρο σέρβις. Μην χειρίζεστε τη συσκευή με βρεγμένα χέρια.
5. Μην τοποθετείτε κανένα αντικείμενο μέσα στα ανοίγματα. Να μην χρησιμοποιείται αν παρουσιαστεί φράξιμο κάποιου ανοίγματος, να διατηρείται χωρίς ίχνη σκόνης, χνούδια, τρίχες και σιδήδηστε μπορεί να προκαλέσει μείωση της ροής αέρα.
6. Διατηρείτε τα μαλλιά, τα φαρδια ρούχα και όλα τα μέρη του σώματός σας μακριά από τα ανοίγματα και κινούμενα μέρη.
7. Να απενεργοποιείτε όλα τα στοιχεία ελέγχου πριν από την αφαίρεση της μπαταρίας.
8. Να προσέχετε ιδιαίτερα, όταν καθαρίζετε σκαλοπάτια.
9. Να μην χρησιμοποιείται για τη συλλογή εύφλεκτων ή καύσιμων υγρών, όπως βενζίνη, ή σε χώρους παρουσία αυτών.
10. Για επαναφόρτιση, να χρησιμοποιείται μόνο ο φορτιστής που παρέχεται από τον κατασκευαστή.

12. Να μην χρησιμοποιείται για τη συλλογή οποιουδήποτε αντικειμένου καίγεται ή αναδίδει καπνό, όπως τσιγάρα, σπρίτα ή θερμές στάχτες.
13. Να μην χρησιμοποιείται χωρίς τη σακούλα σκόνης ή/και τα φίλτρα.
14. Μην φορτίζετε τη μπαταρία σε εξωτερικό χώρο.
15. Να επαναφορτίζετε μόνο με το φορτιστή που καθορίζεται από τον κατασκευαστή. Ένας φορτιστής που είναι κατάλληλος για μια συγκεκριμένη κασέτα μπαταριών μπορεί να δημιουργήσει κίνδυνο πυρκαγιάς όταν χρησιμοποιείται με μια άλλη κασέτα μπαταριών.
16. Να χρησιμοποιείτε ηλεκτρικά εργαλεία μόνο με ειδικά καθορισμένες κασέτες μπαταριών. Η χρήση κάθε άλλης κασέτας μπαταριών μπορεί να δημιουργήσει κίνδυνο τραυματισμού ή πυρκαγιάς.
17. Όταν δεν χρησιμοποιείται η κασέτα μπαταριών, διατηρήστε τη μακριά από άλλα μεταλλικά αντικείμενα, όπως συνδετήρες, κέρματα, κλειδιά, καρφιά, βίδες ή άλλα μικρά μεταλλικά αντικείμενα, με τα οποία μπορεί να δημιουργηθεί σύνδεση από τον έναν ακροδέκτη στον άλλον.
18. Υπό συνθήκες κατάχρησης, μπορεί να εξαχθεί υγρό από την μπαταρία. Να αποφεύγετε την επαφή. Αν συμβεί επαφή κατά λάθος, εκπλύνετε με νερό.
19. Μη χρησιμοποιείτε μια κασέτα μπαταριών ή εργαλείο που έχει καταστραφεί ή τροποποιηθεί. Οι κατεστραμμένες ή τροποποιημένες μπαταρίες μπορεί να παρουσιάζουν απρόβλεπτη συμπεριφορά που έχει ως αποτέλεσμα πυρκαγιά, έκρηξη ή κίνδυνο τραυματισμού.
20. Μην εκθέτετε την κασέτα μπαταριών ή το εργαλείο σε πυρκαγιά ή υπερβολικά υψηλή θερμοκρασία. Η έκθεση στην πυρκαγιά ή στη θερμοκρασία άνω των 130 °C μπορεί να προκαλέσει έκρηξη.
21. Ακολουθήστε όλες τις οδηγίες φόρτισης και μην φορτίσετε την κασέτα μπαταριών ή το εργαλείο εκτός του θερμοκρασιακού εύρους που καθορίζεται στις οδηγίες. Η λανθασμένη φόρτιση ή η φόρτιση σε θερμοκρασίες εκτός του καθορισμένου εύρους μπορεί να προκαλέσει ζημιά στην μπαταρία και να αυξήσει τον κίνδυνο πυρκαγιάς.

## ΦΥΛΑΞΤΕ ΤΙΣ ΟΔΗΓΙΕΣ ΑΥΤΕΣ.

### ΕΠΙΠΡΟΣΘΕΤΟΙ ΚΑΝΟΝΕΣ ΑΣΦΑΛΕΙΑΣ

Η συσκευή αυτή προορίζεται για οικιακή χρήση.

1. Διαβάστε προσεκτικά το παρόν εγχειρίδιο χρήσης όπως και το εγχειρίδιο χρήσης του φορτιστή πριν από τη χρήση.
2. Μην συλλέξετε τα ακόλουθα υλικά:
  - Καυτά υλικά όπως αναμμένα τσιγάρα ή μεταλλική σκόνη/ρίνισμα που παράγονται από λείανση/κοπή μετάλλων
  - Εύφλεκτα υλικά όπως βενζίνη, διαλυτικό, πετρελαϊκό αιθέρα, κηροζίνη ή χρώματα
  - Εκρηκτικά υλικά όπως νιτρογλυκερίνη
  - Αναφλέξιμα υλικά όπως αλουμίνιο, ψευδάργυρο, μαγνήσιο, τιτάνιο, φώσφορο ή κυτταρινοειδές φιμ
  - Υγρές ακαθαρσίες, νερό, έλαιο ή παρόμοιες ουσίες

- Αιχμηρά τεμάχια σκληρών υλικών, όπως ροκανίδια, μέταλλα, πέτρες, γυαλιά, καρφιά, πινέξες ή ξυραφάκια
- Σκόνη η οποία σβωλιάζει όπως το τσιμέντο ή το τόνερ
- Αγώγιμη σκόνη όπως μετάλλου ή άνθρακα
- Μικρά σωματίδια όπως σκόνη σκυροδέματος

Αυτή η ενέργεια μπορεί να προκαλέσει πυρκαγιά, τραυματισμό ή/και ζημία σε περιουσιακά στοιχεία.

3. Διακόψτε τη λειτουργία αμέσως, μόλις παρατηρήσετε οτιδήποτε μη φυσιολογικό.
4. Σε περίπτωση που η σκούπα υποστεί πτώση ή κτύπημα, ελέγξτε τη προσεκτικά για ρωγμές ή βλάβη πριν από τη λειτουργία.
5. Μην πλησιάζετε σε θερμάστρες ή άλλες πηγές θερμότητας.
6. Μην φράσσετε την οπή εισαγωγής ή τις οπές αερισμού.

## ΦΥΛΑΞΤΕ ΤΙΣ ΟΔΗΓΙΕΣ ΑΥΤΕΣ.

### Σημαντικές οδηγίες ασφάλειας για κασέτα μπαταριών

1. Πριν χρησιμοποιήσετε την κασέτα μπαταριών, διαβάστε όλες τις οδηγίες και σημειώσεις προφύλαξης (1) στον φορτιστή μπαταριών, (2) στην μπαταρία και (3) στο προϊόν που χρησιμοποιεί την μπαταρία.
2. Μην αποσυναρμολογήσετε ή παραβιάσετε την κασέτα μπαταριών. Μπορεί να έχει ως αποτέλεσμα πυρκαγιά, υπερθέρμανση ή έκρηξη.
3. Εάν ο χρόνος λειτουργίας έχει γίνει υπερβολικά βραχύς, σταματήστε τη λειτουργία αμέσως. Αλλιώς, μπορεί να έχει ως αποτέλεσμα κίνδυνο υπερθέρμανσης, πιθανά εγκαύματα ή ακόμη και έκρηξη.
4. Εάν ηλεκτρολύτης μπει στα μάτια σας, ξεπλύνετέ τα με καθαρό νερό και ζητήστε ιατρική φροντίδα αμέσως. Αλλιώς, μπορεί να έχει ως αποτέλεσμα απώλεια της όρασης σας.
5. Μην βραχυκυκλώνετε την κασέτα μπαταριών:
  - (1) Μην αγγίζετε τους πόλους με οτιδήποτε αγώγιμο υλικό.
  - (2) Αποφεύγετε να αποθηκεύετε την κασέτα μπαταριών μέσα σε ένα δοχείο μαζί με άλλα μεταλλικά αντικείμενα όπως καρφιά, νομίσματα, κλπ.
  - (3) Μην εκθέτετε την κασέτα μπαταριών στο νερό ή στη βροχή.
 Ένα βροχικό κλώμα μπαταρίας μπορεί να προκαλέσει μεγάλη ροή ρεύματος, υπερθέρμανση, πιθανά εγκαύματα ακόμη και σοβαρή βλάβη.
6. Μην αποθηκεύετε και μην χρησιμοποιείτε το εργαλείο και την κασέτα μπαταριών σε τοποθεσίες όπου η θερμοκρασία μπορεί να φτάσει ή να ξεπεράσει τους 50°C.
7. Μην καίτε την κασέτα μπαταριών ακόμη και εάν έχει σοβαρή ζημία ή είναι εντελώς φθαρμένη. Η κασέτα μπαταριών μπορεί να εκραγεί στη φωτιά.

8. Μην καρφώσετε, κόψετε, συνθλίψετε, πετάξετε ή ρίξετε κάτω την κασέτα μπαταριών, ούτε να χτυπήσετε ένα σκληρό αντικείμενο επάνω στην κασέτα μπαταριών. Τέτοια συμπεριφορά μπορεί να έχει ως αποτέλεσμα πυρκαγιά, υπερθέρμανση ή έκρηξη.
9. Μην χρησιμοποιείτε μπαταρία που έχει υποστεί ζημία.
10. Οι μπαταρίες ιόντων λιθίου που περιέχονται υποκείνται στις απαιτήσεις της νομοθεσίας για επικίνδυνα αγαθά. Για εμπορικές μεταφορές, για παράδειγμα από τρίτα μέρη, πρέπει να τηρούνται οι διαμεταφορές, οι ειδικές απαιτήσεις στη συσκευασία και η επισήμανση. Για προετοιμασία του στοιχείου που αποστέλλεται, είναι απαραίτητο να συμβουλευτείτε έναν ειδικό για επικίνδυνα υλικά. Επίσης, τηρήστε τους πιθανούς, πιο αναλυτικούς εθνικούς κανονισμούς. Καλύψτε με αυτοκόλλητη ταινία ή κρύψτε τις ανώτερες επαφές και συσκευάστε την μπαταρία με τρόπο που να μην μπορεί να μετακινείται μέσα στη συσκευασία.
11. Όταν απορρίπτετε την κασέτα μπαταριών, αφαιρέστε την από το εργαλείο και διαθέστε την σε ένα ασφαλές μέρος. Τηρήστε τους τοπικούς κανονισμούς που σχετίζονται με τη διάθεση της μπαταρίας.
12. Χρησιμοποιήστε τις μπαταρίες μόνο με τα προϊόντα που καθορίζει η Makita. Αν τοποθετήσετε τις μπαταρίες σε μη συμβατά προϊόντα μπορεί να έχει ως αποτέλεσμα πυρκαγιά, υπερβολική θερμότητα, έκρηξη ή διαρροή ηλεκτρολύτη.
13. Αν δεν χρησιμοποιείτε το εργαλείο για μεγάλο χρονικό διάστημα, πρέπει να βγάλετε την μπαταρία από το εργαλείο.
14. Κατά τη διάρκεια και μετά τη χρήση, η κασέτα μπαταριών μπορεί να θερμανθεί, γεγονός που μπορεί να προκαλέσει εγκαύματα ή εγκαύματα από χαμηλή θερμοκρασία. Προσέχετε το χειρισμό των ζεστών κασετών μπαταριών.
15. Μην αγγίζετε τον ακροδέκτη του εργαλείου αμέσως μετά τη χρήση επειδή μπορεί να έχει ζεσταθεί αρκετά για να προκαλέσει εγκαύματα.
16. Μην αφήνετε θραύσματα, σκόνη ή βρομιά να κολλήσει στους ακροδέκτες, τις οπές και τις εγκοπές της κασέτας μπαταριών. Μπορεί να έχει ως αποτέλεσμα κακή απόδοση ή σπάσιμο του εργαλείου ή της κασέτας μπαταριών.
17. Εκτός αν το εργαλείο υποστηρίζει τη χρήση κοντά σε ηλεκτρικές γραμμές υψηλής τάσης, μην χρησιμοποιείτε την κασέτα μπαταριών κοντά σε ηλεκτρικές γραμμές υψηλής τάσης. Μπορεί να έχει ως αποτέλεσμα δυσλειτουργία ή σπάσιμο του εργαλείου ή της κασέτας μπαταριών.
18. ΚρΦυλάξτε την μπαταρία μακριά από παιδιά.

## ΦΥΛΑΞΤΕ ΤΙΣ ΟΔΗΓΙΕΣ ΑΥΤΕΣ.

**▲ΠΡΟΣΟΧΗ:** Να χρησιμοποιείτε μόνο γνήσιες μπαταρίες της Makita. Η χρήση μη γνήσιων μπαταριών Makita, ή μπαταριών που έχουν τροποποιηθεί, μπορεί να έχει ως αποτέλεσμα τη ρήξη της μπαταρίας, προκαλώντας πυρκαγιά, προσωπικό τραυματισμό και βλάβη. Επίσης, θα ακυρωθεί η εγγύηση της Makita για το εργαλείο και φορτιστή Makita.

## Συμβουλές για τη διατήρηση της μέγιστης ζωής μπαταρίας

1. Φορτίζετε την κασέτα μπαταριών πριν από την πλήρη αποφόρτισή της. Πάντοτε να σταματάτε τη λειτουργία του εργαλείου και να φορτίζετε την κασέτα μπαταριών όταν παρατηρήσετε μειωμένη ισχύ εργαλείου.
2. Ποτέ μην επαναφορτίζετε μια πλήρως φορτισμένη κασέτα μπαταριών. Η υπερφόρτιση μειώνει την ωφέλιμη ζωή της μπαταρίας.
3. Να φορτίζετε την κασέτα μπαταριών σε θερμοκρασία δωματίου, δηλαδή στους 10°C έως 40°C. Αφήστε μια θερμή κασέτα μπαταριών να κρυώσει πριν την φορτίσετε.
4. Όταν δεν χρησιμοποιείτε την κασέτα μπαταριών, αφαιρέστε την από το εργαλείο ή τον φορτιστή.
5. Να φορτίζετε την κασέτα μπαταριών εάν δεν τη χρησιμοποιείτε για μεγάλη χρονική περίοδο (περισσότερο από έξι μήνες).

## ΠΕΡΙΓΡΑΦΗ ΛΕΙΤΟΥΡΓΙΑΣ

**▲ΠΡΟΣΟΧΗ:** Να φροντίζετε πάντα για την απενεργοποίηση του εργαλείου και την αφαίρεση της κασέτας μπαταρίας, πριν από οποιαδήποτε ρύθμιση ή έλεγχο της λειτουργίας του.

**▲ΠΡΟΣΟΧΗ:** Φροντίστε ώστε να μην παγιδεύσετε το(α) δάκτυλο(α) σας στο χώρο μεταξύ της σκούπας και της μπαταρίας, όταν τοποθετείτε την μπαταρία. Η παγίδευση δακτύλων μπορεί να προκαλέσει τραυματισμό.

## Τοποθέτηση ή αφαίρεση της κασέτας μπαταριών

**▲ΠΡΟΣΟΧΗ:** Να σβήνετε πάντα το εργαλείο πριν τοποθετήσετε ή αφαιρέσετε την κασέτα μπαταριών.

**▲ΠΡΟΣΟΧΗ:** Κρατήστε το εργαλείο και την κασέτα μπαταριών σταθερά κατά την τοποθέτηση ή αφαίρεση της κασέτας μπαταριών. Εάν δεν κρατάτε το εργαλείο και την κασέτα μπαταριών σταθερά μπορεί να γλιστρήσουν από τα χέρια σας και να προκαλέσει βλάβη στο εργαλείο και την κασέτα μπαταριών και προσωπικός τραυματισμός.

► **Εικ.1:** 1. Κόκκινη ένδειξη 2. Κουμπί 3. Κασέτα μπαταριών

Για να αφαιρέσετε την κασέτα μπαταριών, ολισθήστε την από το εργαλείο ενώ σύρετε το κουμπί στο μπροστινό μέρος της κασέτας.

Για να τοποθετήσετε την κασέτα μπαταριών, ευθυγραμμίστε τη γλώσσα στην κασέτα μπαταριών με την αύλακα στην υποδοχή και ολισθήστε τη στη θέση της. Να την τοποθετείτε πλήρως μέχρι να ασφαλίσει στη θέση της, γεγονός που υποδεικνύεται με ένα χαρακτηριστικό ήχο. Εάν μπορείτε να δείτε την κόκκινη ένδειξη στην επάνω πλευρά του κουμπιού, δεν έχει κλειδώσει τελείως.

**▲ΠΡΟΣΟΧΗ:** Να τοποθετείτε πάντα την κασέτα μπαταριών πλήρως μέχρι να μη βλέπετε την κόκκινη ένδειξη. Εάν δεν ασφαλίσει, μπορεί να πέσει από το εργαλείο τυχαία, προκαλώντας σωματική βλάβη σε εσάς ή κάποιον άλλο γύρω σας.

**▲ΠΡΟΣΟΧΗ:** Μην τοποθετείτε την κασέτα μπαταριών με βία. Εάν η κασέτα δεν ολισθαίνει με ευκολία, τότε δεν έχει τοποθετηθεί κατάλληλα.

## Σύστημα προστασίας εργαλείου/ μπαταρίας

Το εργαλείο είναι εξοπλισμένο με σύστημα προστασίας εργαλείου/μπαταρίας. Αυτό το σύστημα αποκόπτει αυτόματα την ισχύ προς το μοτέρ για να παραταθεί η διάρκεια λειτουργίας του εργαλείου και της μπαταρίας. Το εργαλείο σταματάει αυτόματα κατά τη διάρκεια της λειτουργίας αν το εργαλείο ή η μπαταρία βρεθούν κάτω από τις παρακάτω συνθήκες. Σε κάποιες συνθήκες, ανάβει η ενδεικτική λυχνία.

► **Εικ.2:** 1. Ενδεικτική λυχνία

## Προστασία υπερφόρτωσης

Όταν το εργαλείο λειτουργεί με τρόπο που να προκαλεί την κατανάλωση ενός ασυνήθιστα υψηλού ηλεκτρικού ρεύματος, το εργαλείο σταματάει αυτόματα και η ένδειξη ανάβει για περίπου 60 δευτερόλεπτα. Σε αυτή την κατάσταση, απενεργοποιήστε το εργαλείο και διακόψτε την εφαρμογή που προκαλεί την υπερφόρτωση του εργαλείου. Μετά, ενεργοποιήστε το εργαλείο για επανεκκίνηση.

## Προστασία υπερθέρμανσης

Όταν το εργαλείο/μπαταρία υπερθερμανθεί, το εργαλείο σταματάει αυτόματα και η ένδειξη μπαταρίας ανάβει για περίπου 60 δευτερόλεπτα. Το εργαλείο δεν ξεκινάει ακόμη κι αν ενεργοποιήσετε το εργαλείο. Σε αυτή την κατάσταση, αφήστε την μπαταρία να κρυώσει πριν ενεργοποιήσετε ξανά το εργαλείο.

## Προστασία υπερβολικής αποφόρτισης

Όταν το υπολειπόμενο φορτίο της μπαταρίας γίνει χαμηλό, η ένδειξη αναβοσβήνει. Με περαιτέρω χρήση, το εργαλείο σταματάει και η ένδειξη ανάβει για περίπου 60 δευτερόλεπτα. Αν ενεργοποιήσετε το εργαλείο, το μοτέρ θα θεθεί ξανά σε λειτουργία αλλά θα σταματήσει σύντομα. Σε αυτή την κατάσταση, φορτίστε την κασέτα μπαταριών.

**ΠΑΡΑΤΗΡΗΣΗ:** Ο χρόνος που θα αρχίσει να ανάβει η λυχνία εξαρτάται από τη θερμοκρασία στο χώρο εργασίας και τις συνθήκες της κασέτας μπαταριών.

## Εμφάνιση υπολειπόμενης χωρητικότητας μπαταρίας

**Μόνο για κασέτες μπαταρίας με την ενδεικτική Λυχνία**

► **Εικ.3:** 1. Ενδεικτικές λυχνίες 2. Κουμπί ελέγχου

Πιέστε το κουμπί ελέγχου στην κασέτα μπαταριών για να υποδείξετε την υπολειπόμενη χωρητικότητα μπαταρίας. Οι ενδεικτικές λυχνίες ανάβουν για λίγα δευτερόλεπτα.

Ενδεικτικές λυχνίες			Υπολειπόμενη χωρητικότητα
Αναμμένες	Σβηστές	Αναβοσβήνουν	
■	□	▧	
■ ■ ■ ■			75% έως 100%
■ ■ ■ □			50% έως 75%
■ ■ □ □			25% έως 50%
■ □ □ □			0% έως 25%
▧ □ □ □			Φορτίστε την μπαταρία.
■ ■ □ □			Μπορεί να προέκυψε δυσλειτουργία στην μπαταρία.
□ □ ■ ■			

**ΠΑΡΑΤΗΡΗΣΗ:** Ανάλογα με τις συνθήκες χρήσης και τη θερμοκρασία περιβάλλοντος, η ένδειξη μπορεί να διαφέρει λίγο από την πραγματική χωρητικότητα.

## Δράση διακόπτη

► **Εικ.4:** 1. Κουμπί ΕΝΕΡΓΟΠΟΙΗΣΗΣ/αλλαγής ταχύτητας 2. Κουμπί ΑΠΕΝΕΡΓΟΠΟΙΗΣΗΣ

Για να ξεκινήσετε τη λειτουργία της σκούπας, απλώς πατήστε το κουμπί ΕΝΕΡΓΟΠΟΙΗΣΗΣ/αλλαγής ταχύτητας. Για να τη σβήσετε, πατήστε το κουμπί ΑΠΕΝΕΡΓΟΠΟΙΗΣΗΣ.

Μπορείτε να αλλάξετε την ταχύτητα της σκούπας με τρία βήματα εάν πατήσετε το κουμπί ΕΝΕΡΓΟΠΟΙΗΣΗΣ/αλλαγής ταχύτητας.

Το πρώτο πάτημα αυτού του κουμπιού είναι για λειτουργία υψηλής ταχύτητας, το δεύτερο πάτημα είναι για λειτουργία μέγιστης ταχύτητας και το τρίτο πάτημα είναι για κανονική ταχύτητα. Με κάθε πάτημα αυτού του κουμπιού επαναλαμβάνεται ο κύκλος υψηλής/μέγιστης/κανονικής ταχύτητας, εναλλάξ.

## ΣΥΝΑΡΜΟΛΟΓΗΣΗ

**▲ ΠΡΟΣΟΧΗ:** Να βεβαιώνετε πάντα ότι το εργαλείο είναι σβηστό και η κασέτα μπαταρίας έχει αφαιρεθεί πριν εκτελέσετε κάποια εργασία στο εργαλείο.

## Σάκος σκόνης και χάρτινο φίλτρο

Τοποθετήστε το σάκο σκόνης ή το χάρτινο φίλτρο πριν χρησιμοποιήσετε τη σκούπα.

Χρησιμοποιήστε τον αναστολέα σκόνης όταν τοποθετείτε το σάκο σκόνης ή το χάρτινο φίλτρο.

Μπορείτε να επαναχρησιμοποιήσετε το σάκο σκόνης πολλές φορές αν τον καθαρίσετε.

Το χάρτινο φίλτρο είναι αναλώσιμο. Όταν γεμίσει, απορρίψτε ολόκληρο το χάρτινο φίλτρο χωρίς να το αδειάσετε.

**ΕΙΔΟΠΟΙΗΣΗ:** Για να αποφευχθεί η εισόδος σκόνης στο μοτέρ:

- Πριν από τη χρήση, βεβαιωθείτε ότι ο σάκος σκόνης ή το χάρτινο φίλτρο έχει τοποθετηθεί.
- Εισάγετε τον αναστολέα σκόνης μαζί με το σάκο σκόνης ή το χάρτινο φίλτρο τέρμα στις υποδοχές όταν τα τοποθετείτε.
- Μη χρησιμοποιείτε σπασμένο ή σκισμένο σάκο.

Διαφορετικά, μπορεί να σπάσει το μοτέρ.

**ΕΙΔΟΠΟΙΗΣΗ:** Μη διπλώνετε το χαρτόνι στο άνοιγμά του όταν τοποθετείτε το χάρτινο φίλτρο.

**ΕΙΔΟΠΟΙΗΣΗ:** Μην πετάτε ποτέ τον αναστολέα σκόνης επειδή πρέπει να χρησιμοποιείται επανειλημμένα όταν γίνεται χρήση του σάκου σκόνης ή του χάρτινου φίλτρο.

**ΕΙΔΟΠΟΙΗΣΗ:** Το χάρτινο φίλτρο της σκούπας αποτελεί ένα σημαντικό εξάρτημα για τη διατήρηση της απόδοσης του εργαλείου. Η χρήση μη γνήσιου χάρτινου φίλτρο μπορεί να προκαλέσει καπνούς ή ανάφλεξη.

## Τοποθέτηση σακούλας σκόνης

Χρησιμοποιήστε τον αναστολέα σκόνης όταν τοποθετείτε το σάκο σκόνης. Προσέξτε να μην μπερδέψετε την άνω πλευρά με την κάτω πλευρά επειδή είναι διαφορετικές.

► **Εικ.5:** 1. Άνω πλευρά του αναστολέα σκόνης 2. Κάτω πλευρά του αναστολέα σκόνης

1. Εισαγάγετε την προεσοχή της σακούλας σκόνης στον αύλακα μέσα στον αναστολέα σκόνης, όπως απεικονίζεται στην εικόνα.

Δεν υπάρχει διάκριση μεταξύ των άνω και κάτω πλευρών για τη σακούλα σκόνης. Μπορείτε να εισαγάγετε την προεσοχή οποιασδήποτε πλευράς στον αύλακα του αναστολέα σκόνης.

► **Εικ.6:** 1. Αναστολέας σκόνης 2. Αύλακα 3. Σάκος σκόνης

2. Επικαλύψτε το πλαίσιο του αναστολέα σκόνης με αυτό του σάκου σκόνης.

► **Εικ.7**

3. Τοποθετήστε τον αναστολέα σκόνης και το σάκο σκόνης μαζί στο θάλαμο της σκούπας προς την κατεύθυνση του βέλους στον αναστολέα σκόνης. Τοποθετήστε τα μέχρι τέρμα στις υποδοχές στο θάλαμο της σκούπας.

► **Εικ.8:** 1. Σχισμή

4. Τοποθετήστε ολόκληρο υφασμάτινο τμήμα του σάκου σκόνης μέσα στην ίδια τη σκούπα.

► **Εικ.9**

5. Κλείστε τελείως το κάλυμμα της θήκης σκόνης.

► **Εικ.10:** 1. Κάλυμμα της θήκης σκόνης

**ΠΑΡΑΤΗΡΗΣΗ:** Όταν η σακούλα σκόνης δεν είναι τοποθετημένη στη σκούπα, το κάλυμμα της θήκης σκόνης δεν κλείνει τελείως.

## Τοποθέτηση του χάρτινου φίλτρου

Επίσης χρησιμοποιήστε τον αναστολέα σκόνης όταν τοποθετείτε το χάρτινο φίλτρο. Προσέξτε να μην μπερδέψετε την άνω πλευρά με την κάτω πλευρά επειδή είναι διαφορετικές.

- **Εικ.11:** 1. Άνω πλευρά του αναστολέα σκόνης  
2. Κάτω πλευρά του αναστολέα σκόνης

1. Ξεδιπλώστε την είσοδο του χάρτινου φίλτρου πριν τοποθετήσετε στον αναστολέα σκόνης.

- **Εικ.12**

2. Εισαγάγετε την προεξοχή του χάρτινου φίλτρου μέσα στον αύλακα στον αναστολέα σκόνης, όπως απεικονίζεται στην εικόνα.

Δεν υπάρχει διάκριση μεταξύ των άνω και κάτω πλευρών για το χάρτινο φίλτρο. Μπορείτε να εισαγάγετε την προεξοχή οποιασδήποτε πλευράς στον αύλακα του αναστολέα σκόνης.

- **Εικ.13:** 1. Αναστολέας σκόνης 2. Αύλακα 3. Χάρτινο φίλτρο

3. Επικαλύψτε το πλαίσιο του αναστολέα σκόνης με αυτό του χάρτινου φίλτρου.

- **Εικ.14**

4. Τοποθετήστε τον αναστολέα σκόνης και το χάρτινο φίλτρο μαζί στο θάλαμο της σκούπας προς την κατεύθυνση του βέλους στον αναστολέα σκόνης. Τοποθετήστε τα μέχρι τέρμα στις υποδοχές στο θάλαμο της σκούπας.

- **Εικ.15:** 1. Σχισμή

5. Τοποθετήστε ολόκληρο το τμήμα περιέκτη του χάρτινου φίλτρου μέσα στο ίδιο το εργαλείο.

- **Εικ.16**

6. Κλείστε τελείως το κάλυμμα της θήκης σκόνης.

- **Εικ.17:** 1. Κάλυμμα της θήκης σκόνης

**ΠΑΡΑΤΗΡΗΣΗ:** Όταν το χάρτινο φίλτρο δεν είναι τοποθετημένο στη σκούπα, το κάλυμμα της θήκης σκόνης δεν κλείνει τελείως.

## Τοποθέτηση του ιμάντα ώμου

**▲ΠΡΟΣΟΧΗ:** Προσέχετε να μην πιαστεί ο ιμάντας ώμου από τα αντικείμενα του περιβάλλοντος.

**▲ΠΡΟΣΟΧΗ:** Προσέχετε να μην γλιστρήσει ο ιμάντας ώμου από τον ώμο σας όταν χρησιμοποιείτε τη σκούπα. Για το σταθερό χειρισμό της σκούπας, συνιστάται να φοράτε τον ιμάντα ώμου περασμένο μπροστά από το στήθος σας.

Συνδέστε τους γάντζους του ιμάντα ώμου στις στηρίξεις της σκούπας όπως απεικονίζεται στην εικόνα.

- **Εικ.18:** 1. Ιμάντας ώμου 2. Γάντζος 3. Στήριξη

**ΠΑΡΑΤΗΡΗΣΗ:** Μπορείτε, επίσης, να συνδέσετε τον ιμάντα ώμου στη μαλακή σακούλα (προαιρετικό εξάρτημα), όπως απεικονίζεται.

- **Εικ.19:** 1. Ιμάντας ώμου 2. Μαλακή σακούλα

## ΛΕΙΤΟΥΡΓΙΑ

**▲ΠΡΟΣΟΧΗ:** Να κρατάτε πάντα τη λαβή όταν μεταφέρετε τη σκούπα. Αν κρατήσετε το προσάρτημα κατά τη μεταφορά, μπορεί να αποκολληθεί από τη σκούπα και να έχει ως αποτέλεσμα προσωπικό τραυματισμό.

**▲ΠΡΟΣΟΧΗ:** Μην χρησιμοποιείτε τη συσκευή ενώ οδηγείτε αυτοκίνητο ή όταν ο κινητήρας λειτουργεί.

**▲ΠΡΟΣΟΧΗ:** Μην πιάνετε την ένωση του εύκαμπτου σωλήνα όπως απεικονίζεται στην εικόνα. Αν κρατήσετε την ένωση του εύκαμπτου σωλήνα, μπορεί να τσιμπήσει το δάχτυλό σας.

- **Εικ.20:** 1. Ένωση του εύκαμπτου σωλήνα

## Χρήση ως ηλεκτρική σκούπα

**ΠΑΡΑΤΗΡΗΣΗ:** Αφαιρέστε το προσάρτημα φυστήρα πριν από τον καθαρισμό με τη σκούπα. Αν το προσάρτημα φυστήρα είναι συνδεδεμένο στη σκούπα, η ισχύς αναρρόφησης θα μειωθεί.

## Τοποθέτηση ή αφαίρεση του προσαρτήματος σκούπας

Για να συνδέσετε ένα προσάρτημα, όπως ένα ακροφύσιο, περιστρέψτε και εισαγάγετέ το με ασφάλεια στον εύκαμπτο σωλήνα. Για να το αποσυνδέσετε, περιστρέψτε και αφαιρέστε το.

Ο τρόπος τοποθέτησης διαφέρει ανάλογα με τα ακροφύσια, όπως απεικονίζεται.

- **Εικ.21:** 1. Εύκαμπτος σωλήνας 2. Ελαστικό ακροφύσιο 3. Μαλακή βούρτσα 4. Ακροφύσιο για καθίσματα 5. Ακροφύσιο για χαλάκια

## Καθαρισμός με ηλεκτρική σκούπα

### Ελαστικό ακροφύσιο

Το ακροφύσιο αυτό είναι βολικό για τον καθαρισμό των κάτω γωνιών, όπως οι θήκες πορτών. Το ελαστικό ακροφύσιο είναι απαλό με την επιφάνεια καθαρισμού.

- **Εικ.22:** 1. Ελαστικό ακροφύσιο

### Μαλακή βούρτσα

Το ακροφύσιο αυτό είναι βολικό για τον καθαρισμό των αεραγωγών κλιματιστικών, των ταμπλό, κτλ. Η κεφαλή της μαλακής βούρτσας μπορεί να περιστραφεί σε ορθή γωνία.

- **Εικ.23:** 1. Μαλακή βούρτσα

### Ακροφύσιο για καθίσματα

Το ακροφύσιο αυτό έχει βούρτσα για χνούδια για τον καθαρισμό της επιφάνειας του καθίσματος. Η πλαϊνή βούρτσα στο ακροφύσιο χρησιμεύει για την απομάκρυνση της σκόνης από τις ραφές.

- **Εικ.24:** 1. Ακροφύσιο για καθίσματα 2. Πλαϊνή βούρτσα

## Ακροφύσιο για χαλάκια

Το ακροφύσιο αυτό χρησιμοποιείται για να καθαρίζετε τα χαλάκια δαπέδου και του χαλιού. Τα δόντια στο ακροφύσιο βοηθούν στην απομάκρυνση των κόκκων άμμου.

► **Εικ.25:** 1. Ακροφύσιο για χαλάκια

**ΕΙΔΟΠΟΙΗΣΗ:** Να χρησιμοποιείτε πάντα το ακροφύσιο για χαλάκια για να καθαρίσετε ένα χαλάκι. Αν χρησιμοποιήσετε το ακροφύσιο για χαλάκια σε άλλα υλικά, μπορεί να γρατσουνιστεί η επιφάνειά τους.

## Καθαρισμός χωρίς ακροφύσιο

Μπορείτε να καθαρίσετε με τη σκούπα χωρίς το ακροφύσιο.

► **Εικ.26**

## Απόρριψη σκόνης

**▲ΠΡΟΣΟΧΗ:** Αδειάστε τη σακούλα σκόνης ή αντικαταστήστε το χάρτινο φίλτρο πριν γεμίσει. Αν δεν το κάνετε αυτό, η δύναμη αναρρόφησης/φυσήματος θα εξασθενήσει.

**▲ΠΡΟΣΟΧΗ:** Όταν κλείνετε το κάλυμμα της θήκης σκόνης, προσέξτε να μην πιαστούν τα δάχτυλά σας.

**ΕΙΔΟΠΟΙΗΣΗ:** Μην πετάτε ποτέ τον αναστολέα σκόνης επειδή πρέπει να χρησιμοποιείται όταν γίνεται χρήση του σάκου σκόνης ή του χάρτινου φίλτρου.

**ΕΙΔΟΠΟΙΗΣΗ:** Όταν η σακούλα σκόνης/χάρτινο φίλτρο δεν βρίσκεται στο εσωτερικό της σκούπας, το κάλυμμα της θήκης σκόνης δεν κλείνει τελείως. Μην επιβάλλετε το κλείσιμο του καλύμματος της θήκης σκόνης. Μπορεί να έχει ως αποτέλεσμα την παραμόρφωση ή το σπάσιμο του εργαλείου.

**ΕΙΔΟΠΟΙΗΣΗ:** Όταν απορρίπτετε τη σκόνη, καθαρίστε και το χώρο της σακούλας σκόνης/χάρτινου φίλτρου. Η υπόλοιπη σκόνη και βρομιά στον χώρο μπορεί να προκαλέσει το φράξιμο του σπογγώδους φίλτρου ή βλάβη του μοτέρ.

1. Ανοίξτε το κάλυμμα της θήκης σκόνης.

► **Εικ.27:** 1. Κάλυμμα της θήκης σκόνης

2. Τραβήξτε προς τα έξω και ταυτόχρονα τον πορτοκαλί αναστολέα σκόνης και τη σακούλα σκόνης/χάρτινο φίλτρο.

► **Εικ.28:** 1. Αναστολέας σκόνης

3. Όταν χρησιμοποιείτε τη σακούλα σκόνης Αφαιρέστε τον αναστολέα σκόνης και αδειάστε τη σακούλα σκόνης.

► **Εικ.29:** 1. Αναστολέας σκόνης 2. Σακούλα σκόνης

Όταν χρησιμοποιείτε το χάρτινο φίλτρο

Αφαιρέστε τον αναστολέα σκόνης και απορρίψτε το χάρτινο φίλτρο.

► **Εικ.30:** 1. Αναστολέας σκόνης 2. Χάρτινο φίλτρο

4. Τοποθετήστε τη σακούλα σκόνης/καινούριο χάρτινο φίλτρο και τον αναστολέα σκόνης μαζί μέσα στη σκούπα και κλείστε το κάλυμμα της θήκης σκόνης.

## Λειτουργία ως φυσητήρα

**▲ΠΡΟΣΟΧΗ:** Μη στρέψετε ποτέ το ακροφύσιο προς κανένα άτομο που βρίσκεται κοντά.

**▲ΠΡΟΣΟΧΗ:** Για να μην εισπνέετε σκόνη, συνιστάται να ανοίγετε τα παράθυρα, αλλά και να φοράτε προστατευτικά γάντια και μάσκα κατά τη λειτουργία.

**▲ΠΡΟΣΟΧΗ:** Μην τραβήξετε το προσάρτημα φυσητήρα. Μπορεί να βγει από τη σκούπα.

**▲ΠΡΟΣΟΧΗ:** Μη χρησιμοποιείτε τη σκούπα για φύσημα αέρα μέσα σε αντικείμενα, όπως φουσκωτές βάρκες, μπάλες ή άλλα φουσκωτά προϊόντα. Οι αυξημένες στροφές του μοτέρ μπορεί να προκαλέσουν επικίνδυνο σπάσιμο του ανεμιστήρα.

**▲ΠΡΟΣΟΧΗ:** Μην φράξετε ποτέ την είσοδο αναρρόφησης ή/και την έξοδο φυσητήρα. Προσέχετε να μην φράξετε την είσοδο αναρρόφησης ή την έξοδο φυσητήρα με σκόνη ή βρομιά όταν το χρησιμοποιείτε σε περιοχή με πολλή σκόνη.

**▲ΠΡΟΣΟΧΗ:** Μην χρησιμοποιείτε ακροφύσια διαφορετικά από τα ακροφύσια που παρέχει η Makita.

## Τοποθέτηση ή αφαίρεση του προσαρτήματος φυσητήρα

Για να συνδέσετε το προσάρτημα φυσητήρα, ευθυγραμμίστε την προεξοχή της θύρας του προσαρτήματος φυσητήρα με τον αύλακα στον αεραγωγό και μετά σπρώξτε το μέχρι να ασφαλίσει.

► **Εικ.31:** 1. Προσάρτημα φυσητήρα

Για να αφαιρέσετε το προσάρτημα φυσητήρα, τραβήξτε τη θύρα προς τα κάτω ενώ πατάτε το πάνω μέρος της όπως απεικονίζεται.

► **Εικ.32**

## Φύσημα

Στρέψτε το άκρο του προσαρτήματος φυσητήρα προς το αντικείμενο που θέλετε να φυσήξετε και μετά ενεργοποιήστε το εργαλείο.

► **Εικ.33**

## ΣΥΝΤΗΡΗΣΗ

**▲ΠΡΟΣΟΧΗ:** Πριν την εκτέλεση εργασιών επιθεώρησης ή συντήρησης, πάντοτε να βεβαιώνετε ότι η συσκευή απενεργοποιήθηκε και η κασέτα μπαταριών έχει αφαιρεθεί.

**ΕΙΔΟΠΟΙΗΣΗ:** Μην χρησιμοποιείτε ποτέ βενζίνη, πετρελαϊκό αιθέρα, διαλυτικό, αλκοόλη ή παρόμοιες ουσίες. Μπορεί να προκληθεί αποχρωματισμός, παραμόρφωση ή ρωγμές.

Για τη διατήρηση της ΑΣΦΑΛΕΙΑΣ και ΑΞΙΟΠΙΣΤΙΑΣ του προϊόντος, οι επισκευές και οποιαδήποτε άλλη εργασία συντήρησης ή ρύθμισης πρέπει να εκτελούνται από εξουσιοδοτημένα ή εργοστασιακά κέντρα εξυπηρέτησης της Makita, χρησιμοποιώντας πάντοτε ανταλλακτικά της Makita.

## Καθαρισμός

Περιστσιακά, καθαρίστε το εξωτερικό (σώμα σκούπας) της σκούπας χρησιμοποιώντας ένα πανί που έχετε υγράνει με σαπουνόνερο.

Καθαρίστε, επίσης, το άνοιγμα αναρρόφησης, το χώρο τοποθέτησης του σάκου/του χάρτινου φίλτρου και τον αναστολέα σκόνης.

### ► Εικ.34

Πλύντε τη σακούλα σκόνης σε σαπουνόνερο, όταν παρατηρηθεί φράξιμο λόγω σκόνης και εξασθένηση της απορροφητικής ισχύος της σκούπας. Στεγνώστε πλήρως πριν από τη χρήση. Ένα φίλτρο που δεν είναι απολύτως στεγνό μπορεί να προκαλέσει κακή αναρρόφηση και μείωση της διάρκειας ζωής του μοτέρ.

### ► Εικ.35

**ΠΑΡΑΤΗΡΗΣΗ:** Το χάρτινο φίλτρο είναι αναλώσιμο.

Όταν το σπογγώδες φίλτρο φράξει με σκόνη, βγάλτε το από τη σκούπα και σκουπίστε το ή πλύνετε το σε νερό.

## Αφαίρεση και τοποθέτηση του σπογγώδους φίλτρου

**▲ΠΡΟΣΟΧΗ:** Αφού καθαρίσετε το σπογγώδες φίλτρο, φροντίστε να το τοποθετήσετε στη σκούπα. Αν το πλύνετε σε νερό, στεγνώστε το πριν την τοποθέτηση. Ένα σπογγώδες φίλτρο που δεν είναι απολύτως στεγνό ενδέχεται να προκαλέσει μείωση της διάρκειας ζωής του μοτέρ.

Για να βγάλετε το σπογγώδες φίλτρο, βγάλτε το σάκο σκόνης ή το χάρτινο φίλτρο και μετά πιάστε το με το δείκτη και τον αντίχειρά σας και βγάλτε το.

### ► Εικ.36: 1. Σπογγώδες φίλτρο

Πιέστε προς τα μέσα ολόκληρο το άκρο του σπογγώδους φίλτρου προς το τοίχωμα με τις εσοχές στο εσωτερικό του χώρου τοποθέτησης του σάκου σκόνης/χάρτινου φίλτρου.

### ► Εικ.37: 1. Τοίχωμα με τις εσοχές

## Αποθήκευση

**▲ΠΡΟΕΙΔΟΠΟΙΗΣΗ:** Μην αφήνετε ποτέ την κασέτα μπαταριών και τον φορτιστή μέσα σε αυτοκίνητο. Η θερμοκρασία στο εσωτερικό ενός αυτοκινήτου που είναι σταθμευμένο κάτω από τον ήλιο μπορεί να ξεπεράσει τους 50 °C. Μπορεί να προκαλέσει τη φθορά της κασέτας μπαταριών και να έχει ως αποτέλεσμα την έκχυση υγρού, την εκπομπή καπνού ή την πυρκαγιά.

### ► Εικ.38

**▲ΠΡΟΕΙΔΟΠΟΙΗΣΗ:** Μην χρησιμοποιείτε ποτέ τον φορτιστή ενώ βρίσκεται αποθηκευμένος στη σακούλα αποθήκευσης. Το φράξιμο του αεραγωγού μπορεί να έχει ως αποτέλεσμα την εκπομπή καπνού ή πυρκαγιά.

### ► Εικ.39

**▲ΠΡΟΕΙΔΟΠΟΙΗΣΗ:** Μην φορτίζετε ποτέ την κασέτα μπαταριών με αναστροφή επί του οχήματος. Μπορεί να προκληθεί ασυνήθιστη θερμότητα και να έχει ως αποτέλεσμα την πυρκαγιά.

**▲ΠΡΟΕΙΔΟΠΟΙΗΣΗ:** Μην φορτίσετε ποτέ την κασέτα μπαταριών σε αυτοκίνητο. Αν η κασέτα μπαταριών εκτεθεί σε εύρος θερμοκρασίας εκτός του εύρους 10°C έως 40°C, μπορεί να παράγει θερμότητα ή/και πυρκαγιά ή να εκραγεί.

**▲ΠΡΟΣΟΧΗ:** Να αποθηκεύετε πάντα τον εύκαμπτο σωλήνα όπως απεικονίζεται, ώστε να αποφεύγονται τα παραπατήματα, όταν η σκούπα δεν χρησιμοποιείται. Ο ξεδίπλωτος εύκαμπτος σωλήνας μπορεί να πιαστεί στο πόδι σας και να προκαλέσει προσωπικό τραυματισμό.

### ► Εικ.40: 1. Γάντζος 2. Εύκαμπτος σωλήνας

## Επίλυση προβλημάτων

Πριν ζητήσετε για επισκευές, ελέγξτε τα ακόλουθα σημεία.

Σύμπτωμα	Περιοχή διερεύνησης	Μέθοδος επιδιόρθωσης
Ασθενής ισχύς αναρρόφησης	Είναι ο σάκος σκόνης ή το χάρτινο φίλτρο γεμάτος σκόνη;	Αδειάστε το σάκο σκόνης ή το χάρτινο φίλτρο.
	Είναι ο σάκος σκόνης φραγμένος;	Ξεσκονίστε ή πλύνετε το σάκο σκόνης.
	Είναι το χάρτινο φίλτρο φραγμένο;	Αλλάξτε το χάρτινο φίλτρο.
	Είναι η κασέτα μπαταρίας εξαντλημένη;	Φορτίστε την κασέτα μπαταρίας.
Δεν λειτουργεί	Είναι η κασέτα μπαταρίας εξαντλημένη;	Φορτίστε την κασέτα μπαταρίας.
Το κάλυμμα της θήκης σκόνης δεν κλείνει	Είναι η σακούλα σκόνης ή το χάρτινο φίλτρο τοποθετημένο;	Τοποθετήστε τη σακούλα σκόνης ή το χάρτινο φίλτρο.

**ΕΙΔΟΠΟΙΗΣΗ:** Μην επιχειρήσετε να επισκευάσετε τη σκούπα μόνοι σας.

# ΠΡΟΑΙΡΕΤΙΚΑ ΕΞΑΡΤΗΜΑΤΑ

**⚠ ΠΡΟΣΟΧΗ:** Αυτά τα εξαρτήματα ή προσαρτήματα συνιστώνται για χρήση με το εργαλείο Makita που περιγράφηκε στις οδηγίες αυτές. Η χρήση οποιωνδήποτε άλλων εξαρτημάτων ή προσαρτημάτων μπορεί να προκαλέσει κίνδυνο τραυματισμού σε άτομα. Να χρησιμοποιείτε τα εξαρτήματα ή προσαρτήματα μόνο για την χρήση που προορίζονται.

Εάν χρειάζεστε οποιαδήποτε βοήθεια για περισσότερες πληροφορίες σε σχέση με αυτά τα εξαρτήματα, απευθυνθείτε στο τοπικό σας κέντρο εξυπηρέτησης Makita.

- Ράβδος προέκτασης (Ευθύς σωλήνας)
- Ακροφύσιο
- Ακροφύσιο για μοκέτα
- Βούρτσα ραφιών
- Ακροφύσιο γωνιών
- Στρογγυλή βούρτσα
- Εύκαμπτος σωλήνας
- Χάρτινο φίλτρο
- Ελεύθερο ακροφύσιο
- Ακροφύσιο έδρας
- Ακροφύσιο για στενά σημεία
- Προσάρτημα κυκλώνα
- Σακούλα σκόνης
- Σακούλα σκόνης υψηλής απόδοσης
- Μαλακή σακούλα
- Γνήσια μπαταρία και φορτιστής της Makita

**ΠΑΡΑΤΗΡΗΣΗ:** Μερικά στοιχεία στη λίστα μπορεί να συμπεριλαμβάνονται στη συσκευασία εργαλείου ως στάνταρ εξαρτήματα. Μπορεί να διαφέρουν ανάλογα με τη χώρα.



## UYARI

Bu aletin 8 yaş ve üzeri çocuklar ile fiziksel, duyuşsal ya da zihinsel yetenekleri kısıtlı olan veya deneyim ya da bilgileri olmayan kişiler tarafından kullanılması, ancak gözetim altında olmaları veya kendilerine aletin güvenli bir şekilde kullanılmasına yönelik talimatlar verilmesi ve bu aletin kullanımına ilişkin tehlikeleri anlamaları halinde mümkündür. Çocuklar aletle oynamamalıdır. Temizlik ve kullanıcı bakımları gözetimsiz olarak çocuklar tarafından yapılmamalıdır.

## TEKNİK ÖZELLİKLER

Model:	DCL184	
Kapasite	toz torbalı	500 mL
	kağıt filtreli	330 mL
Sürekli kullanım (BL1830B batarya ile)	1 (Normal hız modu)	Yakl. 80 dak
	2 (Yüksek hız modu)	Yakl. 30 dak
	3 (Maksimum hız modu)	Yakl. 20 dak
Toplam uzunluk (BL1830B batarya ile)	365 mm	
Anma voltajı	D.C. 18 V	
Net ağırlık	1,8 - 2,2 kg	

- Sürekli yapılan araştırma ve geliştirmelerden dolayı, burada belirtilen özellikler önceden bildirilmeksizin değiştirilebilir.
- Özellikler ülkeden ülkeye değişebilir.
- Ağırlık, batarya kartuşu/kartuşları hariç aksesuarları içermez. Cihazın ve batarya kartuşunun/kartuşlarının en hafif ve en ağır birleşik ağırlığı tabloda gösterilmiştir.

## Geçerli batarya kartuşu ve şarj aleti

Batarya kartuşu	BL1815N / BL1820 / BL1820B / BL1830 / BL1830B / BL1840 / BL1840B / BL1850 / BL1850B / BL1860B
Şarj aleti	DC18RC / DC18RD / DC18RE / DC18SD / DC18SE / DC18SF / DC18SH

- Yukarıda listelenen batarya kartuşlarının ve şarj aletlerinin bazıları yaşadığınız bölgeye bağlı olarak mevcut olmayabilir.

**UYARI:** Sadece yukarıda listelenen batarya kartuşlarını ve şarj aletlerini kullanın. Başka batarya kartuşlarının ve şarj aletlerinin kullanılması yaralanma ve/veya yangına neden olabilir.

## Semboller

Ekipmanı için kullanılabilir semboller aşağıda gösterilmiştir. Kullanmadan önce anlamlarını anladığınızdan emin olun.



El kitabını okuyun.



Sadece AB ülkeleri için Elektrik donanımını ve batarya kutusunu evsel atıklarla birlikte bertaraf etmeyiniz! Atık Elektrikli ve Elektronik Donanımlar, bataryalar ve Akümülatörler ve Atık bataryalar ve Akümülatörler konusundaki Avrupa Direktifleri ve bunların ulusal yasalara uygulanmaları uyarınca, kullanım ömürleri biten elektrikli donanımların, bataryaların ve batarya takım(lar)ının ayrı toplanmaları ve çevreye uyumlu bir geri kazanım tesisine getirilmeleri gereklidir.

## Kullanım amacı

Bu alet kuru tozları toplamak amacıyla kullanılır.

# GÜVENLİK UYARILARI

## Aküü süpürge güvenlik uyarıları

**⚠UYARI: ÖNEMLİ KULLANMADAN ÖNCE** tüm güvenlik uyarılarını ve tüm talimatları **DİKKATLE OKUYUN**. Uyarılara ve talimatlara uyulmaması elektrik şoku, yangın ve/veya ciddi yaralanmalar ile sonuçlanabilir.

1. Yağmura maruz bırakmayın. Kapalı yerde saklayın.
2. **Bir oyuncak gibi kullanılmasına izin vermeyin.** Çocuklar tarafından veya onların yakınında kullanılırken yakın ilgi gerekir.
3. Sadece bu kılavuzda belirtilen şekilde kullanın. Sadece imalatçının tavsiye ettiği ek parçaları kullanın.
4. Bozuk batarya ile kullanmayın. Bu aygıt eğer çalışması gerektiği gibi çalışmıyorsa, yere düşürülmüşse, hasar görmüşse, açık havada bırakılmışsa veya suya düşürülmüşse, onu bir servis merkezine iade edin.
5. Cihazı ıslak elle tutmayın.
6. Deliklerin üstüne herhangi bir nesne koymayın. Delikleri tıkalıyken kullanmayın; deliklerden tozları, tiftikleri, kılırları ve hava akışını engelleyebilecek her şeyi temizleyin.
7. Saçlarınızı, bol giysilerinizi ve vücudunuzun tüm kısımlarını deliklerden ve hareketli parçalardan uzak tutun.
8. Bataryayı çıkarmadan önce tüm kontrolleri kapatın.
9. Merdivenlerde temizlik yaparken daha dikkatli olun.
10. Benzin gibi çabuk tutuşan veya yanıcı sıvıları toplamak için veya onların bulunabileceği yerlerde bu aleti kullanmayın.
11. Pili şarj etmek için sadece imalatçının verdiği şarj aletini kullanın.
12. Sigaralar, kibritler veya sıcak küller gibi yanmakta veya duman çıkarmakta olan herhangi bir şeyi toplamayın.
13. Toz torbası ve/veya filtreler takılı olmadan kullanmayın.
14. Bataryayı açık alanda şarj etmeyin.
15. Sadece üretici tarafından belirtilen şarj aleti ile şarj edin. Bir batarya kutusu için uygun olan şarj cihazı başka bir batarya kutusu ile kullanıldığında yangın riski oluşturabilir.
16. Elektrikli aletleri sadece özel olarak belirtilen batarya kutuları ile kullanın. Başka batarya kutularının kullanımı yaralanma ve yangın riski oluşturabilir.
17. Batarya kutusu kullanılmadığında; iki terminal arasında bağlantı kurulmasına sebep olabilecek ataç, bozuk para, anahtar, çivi, vida gibi metal nesnelere ya da küçük metal objelerden uzak tutun.
18. Kötü koşullarda bataryadan sıvı sızabilir; bu sıvıya temas etmeyin. Kaza sonucu temas ederseniz suyla durulayın.
19. Batarya kutusu ya da alet hasar görmüşse ya da üzerinde değişiklik yapılmışsa batarya kutusunu kullanmayın. Hasar görmüş ya da üzerinde değişiklik yapılmış batarya kutuları yangın, patlama ya da yaralanma riski ile sonuçlanan beklenmedik davranışlar sergileyebilir.
20. Batarya kutusunu veya aleti ateşe ya da aşırı sıcaklıklara maruz bırakmayın. Ateşe ya da 130 °C'nin üzerindeki sıcaklıklara maruz bırakmak patlamaya neden olabilir.

21. Tüm şarj talimatlarına uyun ve batarya kutusunu ya da aleti yönergelerde belirtilen sıcaklık aralığının dışındaki sıcaklıklarda şarj etmeyin. Uygun olmayan bir şekilde ya da belirtilen sıcaklık aralığının dışında şarj etmek bataryaya zarar verebilir ve yangın riskini artırabilir.

## BU TALİMATLARI SAKLAYIN.

### EK GÜVENLİK KURALLARI

Bu aygıt ev kullanımı içindir.

1. Kullanmadan önce bu kullanma kılavuzunu ve şarj aletinin kullanma kılavuzunu dikkatle okuyun.
2. Aşağıdaki maddeleri süpürgeye çekmeyin:
  - Yanan sigaralar gibi kızgın maddeler veya metal kesme/taşıma sonucunda çıkan kıvılcıklar/metal tozları
  - Petrol, tiner, benzin, gazyağı veya boya gibi kolay tutuşan maddeler
  - Nitrogliserin gibi patlayıcı maddeler
  - Alüminyum, çinko, magnezyum, titanyum, fosfor veya selüloit gibi yanabilen maddeler
  - Islak kirlere, su, yağ veya benzerleri
  - Ahşap yongalar, metaller, taşlar, camlar, çiviler, iğneler veya jiletler gibi keskin kenarlı sert cisimler
  - Çimento veya toner gibi topaklaşacak tozlar
  - Metal veya karbon gibi iletken tozlar
  - Beton tozu gibi ince parçacıklarBunları süpürgeye çekmeniz yangına, bedensel ve/veya maddi hasara neden olabilir.
3. Anormal bir durum fark ederseniz çalışmayı hemen durdurun.
4. Süpürgeyi düşürür veya çarparsanız, kullanmadan önce çatlak veya hasar kontrolü yapın.
5. Ocaklara ve başka ısı kaynaklarına yaklaştırmayın.
6. Giriş deliğini veya havalandırma deliklerini tıkamayın.

## BU TALİMATLARI SAKLAYIN.

### Batarya kartuşu hakkında önemli güvenlik talimatları

1. Batarya kartuşunu kullanmadan önce, tüm talimatları ve (1) batarya kartuşu, (2) batarya ve (3) ürün üzerindeki tüm uyarı işaretlerini okuyun.
2. Batarya kartuşunu parçalarına ayırmayın veya kurcalamayın. Yangın, aşırı ısı veya patlamaya neden olabilir.
3. Çalışma süresi aşırı derecede kısalmışsa kullanmayı derhal bırakın. Aşırı ısınma, yanma riski hatta patlamaya neden olabilir.
4. Gözünüze elektrolit kaçarsa, gözlerinizi temiz suyla durulayın ve hemen tıbbi yardım alın. Görme kaybına yol açabilir.
5. Batarya kartuşuna kısa devre yaptırmayın:
  - (1) Terminallere herhangi bir iletken madde değdirmeyin.
  - (2) Batarya kartuşunu çiviler, madeni paralar, vb. gibi başka metal nesnelere aynı kaba koymaktan kaçının.
  - (3) Batarya kartuşunu yağmura ya da suya maruz bırakmayın.Kısa devre, büyük bir akım akışına, aşırı ısınmaya, olası yanıklara hatta bataryanın bozulmasına yol açabilir.

6. Aleti ve batarya kartuşunu sıcaklığın 50°C ya da daha yükseğe ulaştığı yerlerde saklamayın ve kullanmayın.
7. Aşırı derecede hasar görmüş ya da tamamen kullanılamaz durumda olsa bile batarya kartuşunu yakmayın. Batarya kartuşu ateşe atılırsa patlayabilir.
8. Batarya kartuşunu çivilememeyin, kesmeyin, ezmeyin, fırlatmayın, düşürmeyin ya da batarya kartuşuna sert bir nesne ile vurmayın. Bu eylemler yangın, aşırı ısı veya patlamaya neden olabilir.
9. Hasarlı bataryayı kullanmayın.
10. Aletin içerdiği lityum-iyon bataryalar Tehlikeli Eşyalar Yönetmeliğinin gereksinimlerine tabidir. Ticari nakliye işlemleri için, örneğin üçüncü taraflar, nakliye acenteleri tarafından yapılan nakliyelerde, paketlenme ve etiketleme gereksinimlerine uyulmalıdır. Nakliyesi yapılacak ürünün hazırlanması için, tehlikeli maddeler konusunda uzman bir kişiye danışın. Lütfen muhtemelen daha ayrıntılı olan ulusal yönetmeliklere de uyun. Açık kontakları bantlayın ya da maskeleyin ve bataryayı paketin içinde hareket etmeyecek şekilde paketlenin.
11. Batarya kartuşunu bertaraf ederken aletten çıkarın ve güvenli bir yerde bertaraf edin. Bataryanın bertaraf edilmesi ile ilgili yerel düzenlemelere uyunuz.
12. Bataryaları sadece Makita tarafından belirtilen ürünlerle kullanın. Bataryaların uyumsuz ürünlere takılması; yangın, aşırı ısınma, patlama ya da elektrolit sızıntısına neden olabilir.
13. Alet uzun süre kullanılmıyacaksa batarya aletten çıkarılmalıdır.
14. Kullanma sırasında ve sonrasında batarya kartuşu ısınarak yanıklara veya düşük sıcaklık yanıklarına yol açabilir. Sıcak batarya kartuşları ile işlem yaparken dikkat edin.
15. Yanıklara neden olabilecek kadar sıcak olabileceğinden kullandıktan hemen sonra aletin terminaline dokunmayın.
16. Batarya kartuşunun terminallerine, deliklerine ve kanallarına mıcır, toz veya toprak girmesine izin vermeyin. Aletin veya batarya kartuşunun zayıf performans göstermesine veya bozulmasına neden olabilir.
17. Alet yüksek gerilim elektrik güç hatları yakınında kullanımı desteklemediği sürece batarya kartuşunu yüksek gerilim elektrik güç hatlarının yakınında kullanmayın. Aletin veya batarya kartuşunun arızalanmasına veya bozulmasına neden olabilir.
18. Bataryayı çocuklardan uzak tutun.

## BU TALİMATLARI MUHAFAZA EDİNİZ.

**⚠DİKKAT:** Sadece orijinal Makita bataryalarını kullanın. Orijinal olmayan Makita bataryaları ya da üzerine değişiklik yapılmış bataryaların kullanımı bataryanın patlamasına ve sonuç olarak yangın, kişisel yaralanma ve hasara neden olabilir. Ayrıca Makita aleti ve şarj aletinin Makita tarafından sunulan garantisi de geçersiz olur.

## Maksimum batarya ömrü için ipuçları

1. Batarya kartuşunu tamamen boşalmadan önce şarj edin. Aletin gücünün zayıflamaya başladığını fark ettiğinizde aleti durdurun ve batarya kartuşunu şarj edin.
2. Tam dolu bir batarya kartuşunu asla yeniden şarj etmeyin. Aşırı şarj etme bataryanın hizmet ömrünü kısaltır.
3. Batarya kartuşunu 10°C - 40°C oda sıcaklığında şarj edin. Sıcak bir batarya kartuşunu şarj etmeden önce soğumasını bekleyin.
4. Batarya kartuşunu kullanmıyorken aletten veya şarj aletinden çıkarın.
5. Uzun bir süre (altı aydan daha fazla) kullanmadığınız durumlarda batarya kartuşunu şarj edin.

## İŞLEVSEL NİTELİKLER

**⚠DİKKAT:** Alet üzerinde ayarlama veya işleyiş kontrolü yapmadan önce aletin kapalı ve batarya kartuşunun ayrılmış olduğundan daima emin olun.

**⚠DİKKAT:** Bataryayı takarken parmak(lar)ınızı süpürge ve batarya arzasına kıstırmamaya dikkat edin. Parmak(lar)ın kıştırılması yaralanmaya neden olabilir.

## Batarya kartuşunun takılması ve çıkarılması

**⚠DİKKAT:** Batarya kartuşunu takmadan ya da çıkarmadan önce aleti daima kapatın.

**⚠DİKKAT:** Batarya kartuşunu takarken veya çıkarırken aleti ve batarya kartuşunu sıkıca tutun. Aletin ve batarya kartuşunun sıkıca tutulmaması bunların düşürülmesine sebep olabilir ve alet ve batarya kartuşunun zarar görmesine ya da ciddi yaralanmasına yol açabilir.

- **Şek.1:** 1. Kırmızı gösterge 2. Düğme 3. Batarya kartuşu

Batarya kartuşunu çıkarmak için, kartuşun ön tarafındaki düğmeyi kaydırarak kartuşu aletten çıkarın.

Batarya kartuşunu takmak için, batarya kartuşu üzerindeki dili yuvanın çentiği ile hizalayın ve yerine oturtun. Hafif bir tık sesi duyulana kadar itip yerine tam oturmasını sağlayın. Düğmenin üst tarafındaki kırmızı gösterge görünüyorsa tam yerine kilitlenmemiş demektir.

**⚠DİKKAT:** Batarya kartuşunu daima kırmızı gösterge görünmeyecek şekilde tam olarak takın. Yerine tam oturmazsa, aletten yanlışlıkla düşebilir, sizin ya da çevrenizdeki kişilerin yaralanmasına neden olabilir.

**⚠DİKKAT:** Batarya kartuşunu zorlayarak takmayın. Kartuş kolay bir şekilde kaymıyorsa doğru yerleştirilmemiş demektir.

## Alet/batarya koruma sistemi

Bu alet bir alet/batarya koruma sistemi ile donatılmıştır. Bu sistem motora giden gücü otomatik olarak keserek uzun alet ve batarya ömrü sağlar.

Alet veya batarya için aşağıdaki durumlardan biri söz konusu olduğunda aletin işleyişi otomatik olarak durur. Bazı durumlarda gösterge lambası yanar.

► **Şek.2:** 1. Gösterge lambası

## Aşırı yük koruması

Alet, anormal derecede yüksek akım çekmesine neden olacak şekilde kullanıldığında, alet otomatik olarak durur ve gösterge yaklaşık 60 saniye yanar. Bu durumda aleti kapatın ve aletin aşırı yüklenmesine neden olan uygulamayı kesin. Ardından aleti açarak yeniden çalıştırın.

## Aşırı ısınma koruması

Alet/batarya aşırı ısındığında alet otomatik olarak durur ve batarya göstergesi yaklaşık 60 saniye yanar. Alet açılabilir çalışmaz. Bu durumda, aleti yeniden çalıştırmadan önce bataryanın soğumasını bekleyin.

## Aşırı deşarj koruması

Kalan batarya kapasitesi düşük olduğunda, gösterge yanıp söner. Kullanılmaya devam edildiğinde, alet durur ve gösterge yaklaşık 60 saniye yanar. Aleti açarsanız, motor tekrar çalışır fakat kısa zaman sonra durur. Bu durumda, batarya kartuşunu şarj edin.

**NOT:** Lambanın yandığı zaman, çalışma ortamının sıcaklığına ve batarya kartuşunun koşullarına göre değişir.

## Kalan batarya kapasitesinin gösterilmesi

**Sadece göstergeli batarya kartuşları için**

► **Şek.3:** 1. Gösterge lambaları 2. Kontrol düğmesi

Kalan batarya kapasitesini göstermesi için batarya kartuşu üzerindeki kontrol düğmesine basın. Gösterge lambaları birkaç saniye yanar.

Gösterge lambaları			Kalan kapasite	
Yanıyor	Kapalı	Yanıp söniyor		
■	□	◐	%75 ila %100	
■ ■ ■ ■				
■ ■ ■ □				%50 ila %75
■ ■ □ □				
■ □ □ □				%25 ila %50
■ □ □ □				
■ □ □ □			%0 ila %25	
■ □ □ □				
◐ □ □ □			Bataryayı şarj edin.	
■ ■ □ □			Batarya arızalanmış olabilir.	
□ □ ■ ■				

**NOT:** Kullanım koşullarına ve ortam sıcaklığına bağlı olarak, gösterilen değer gerçek kapasiteden biraz farklılık gösterebilir.

## Anahtar işlemi

► **Şek.4:** 1. Açma/hız değiştirme düğmesi 2. Kapatma düğmesi

Süpürgeyi çalıştırmak için açma/hız değiştirme düğmesini itmeniz yeterlidir. Kapatmak için, kapatma düğmesine basın. Süpürge hızını, açma/hız değiştirme düğmesini iterek üç kademeli olarak değiştirebilirsiniz.

Bu düğmeyi ilk itişinizde yüksek hız geçeri olur, ikinci itişinizde maksimum hıza geçilir, üçüncü itişte ise normal hıza geçilir. Bu düğmeyi her itiş yüksek/maksimum/normal hız döngüsünde bir sonraki kademeye sırayla geçmenizi sağlar.

## MONTAJ

**⚠ DİKKAT:** Alet üzerinde herhangi bir iş yapmadan önce aletin kapalı ve batarya kartuşunun ayrıldığından daima emin olun.

## Toz torbası ve kağıt filtre

Süpürgeyi kullanmadan önce toz torbası veya kağıt filtre takın.

İster toz torbası ister kağıt filtre kullanılsın, her iki durumda da toz durdurucuyu kullanın.

Toz torbaları temizlenerek bir defadan fazla kullanılabilir.

Kağıt filtreler tek kullanımlıktır. Dolduğu zaman kağıt filtreyi boşaltmadan olduğu gibi atın.

**ÖNEMLİ NOT:** Motora toz kaçmasını önlemek için:

- Kullanmadan önce toz torbası veya kağıt filtre takıldığından emin olun.
- Toz torbası veya kağıt filtreyi takarken toz durdurucuyu da onlarla birlikte yuvaya takın.
- Yırtık veya delinmiş torbaları kullanmayın.

Aksi takdirde motor arızalanabilir.

**ÖNEMLİ NOT:** Kağıt filtreyi takarken ağız kısmındaki kartonu bükmeyin.

**ÖNEMLİ NOT:** İster toz torbası ister kağıt filtre kullanılsın, her iki durumda da toz durdurucunun tekrar kullanılması gerektiği için toz durdurucuyu asla atmayın.

**ÖNEMLİ NOT:** Süpürgenin kağıt filtresi alet performansını sağlamak açısından önemli bir parçadır. Orijinal olmayan kağıt filtrelerin kullanılması duman ya da kivi çıkmasına neden olabilir.

## Toz torbasının takılması

Toz torbasını takarken toz durdurucuyu kullanın. Üst tarafıyla alt tarafını karıştırmamaya dikkat edin, çünkü iki tarafı birbirinden farklıdır.

► **Şek.5:** 1. Toz durdurucunun üst tarafı 2. Toz durdurucunun alt tarafı

1. Toz torbasının çıkıntılı tarafını şekilde gösterildiği gibi toz durdurucunun oyuğuna yerleştirin.

Toz torbasının üst ve alt tarafları arasında bir fark yoktur. İstedığınız taraftaki çıkıntıyı toz durdurucunun oyuğuna yerleştirebilirsiniz.

► **Şek.6:** 1. Toz durdurucu 2. Oyuk 3. Toz torbası

2. Toz torbasının çerçevesiyle toz durdurucunun çerçevesinin üst üste gelmesi gerekir.

► **Şek.7**

3. Toz durdurucu ve toz torbasını süpürge- nin içindeki boşluğa takarken toz durdurucunun üzerindeki ok ile aynı yönde ve birlikte yerleştirin. Süpürge- nin içindeki boşluğadaki yuvaların sonuna kadar girecek şekilde takın.

► **Şek.8:** 1. Yuva

4. Toz torbasının kumaş bölümünün tamamı süpürge- nin içinde kalacak şekilde yerleştirin.

► **Şek.9**

5. Toz kutusu kapağını tamamen kapatın.

► **Şek.10:** 1. Toz kutusu kapağı

**NOT:** Süpürgeye toz torbası takılı değilken toz kutusu kapağı tamamen kapanmaz.

## Kağıt filtrenin takılması

Kağıt filtreyi takarken de toz durdurucuyu kullanın. Üst tarafla alt tarafını karıştırmamaya dikkat edin, çünkü iki tarafı birbirinden farklıdır.

► **Şek.11:** 1. Toz durdurucunun üst tarafı 2. Toz durdurucunun alt tarafı

1. Kağıt filtreyi toz durdurucu üzerine yerleştirmeden önce ağız kısmının katını açın.

► **Şek.12**

2. Kağıt filtrenin çıkıntılı tarafını şekilde gösterildiği gibi toz durdurucunun oyuğuna yerleştirin.

Kağıt filtrenin üst ve alt tarafları arasında bir fark yoktur. İsteddiğiniz taraftaki çıkıntıyı toz durdurucunun oyuğuna yerleştirebilirsiniz.

► **Şek.13:** 1. Toz durdurucu 2. Oyuk 3. Kağıt filtre

3. Kağıt filtrenin çerçevesiyle toz durdurucunun çerçevesinin üst üste gelmesi gerekir.

► **Şek.14**

4. Toz durdurucu ve kağıt filtreyi süpürge- nin içindeki boşluğa takarken toz durdurucunun üzerindeki ok ile aynı yönde ve birlikte yerleştirin. Süpürge- nin içindeki boşluğadaki yuvaların sonuna kadar girecek şekilde takın.

► **Şek.15:** 1. Yuva

5. Kağıt filtrenin hazne bölümünün tamamı süpürge- nin içinde kalacak şekilde yerleştirin.

► **Şek.16**

6. Toz kutusu kapağını tamamen kapatın.

► **Şek.17:** 1. Toz kutusu kapağı

**NOT:** Süpürgeye kağıt filtre takılı değilken toz kutusu kapağı tamamen kapanmaz.

## Omuz askısının takılması

**⚠DİKKAT:** Omuz askısının etrafınızdaki nesnelere takılmamasına dikkat edin.

**⚠DİKKAT:** Süpürgeyi kullanırken omuz askısının omuzunuzdan kaymamasına dikkat edin. Süpürge- nin dengeli kullanılması için omuz askısının göğsünüzü çapraz geçecek şekilde takılması önerilir.

Omuz askısının kancalarını şekilde gösterildiği gibi süpürge- nin kulaklarına takın.

► **Şek.18:** 1. Omuz askısı 2. Kanca 3. Kulak

**NOT:** Omuz askısını şekilde gösterildiği gibi taşıma çantasına (isteğe bağlı aksesuar) da takabilirsiniz.

► **Şek.19:** 1. Omuz askısı 2. Taşıma çantası

## KULLANIM

**⚠DİKKAT:** Süpürgeyi her zaman sapı tutarak taşıyın. Ek parça kısmından tutarak taşırsanız ek parça süpürge- den çıkabilir ve yaralanmaya neden olabilir.

**⚠DİKKAT:** Araba sürerken veya motor çalışırken cihazı kullanmayın.

**⚠DİKKAT:** Şekilde gösterildiği gibi hortum rakorunu tutmayın. Hortum rakorunun tutulması, parmağınızı sıkıştırabilir.

► **Şek.20:** 1. Hortum rakoru

## Elektrikli süpürge olarak kullanılması

**NOT:** Emerek süpürme yapmadan önce üfleyici ek parçasını çıkarın. Üfleyici ek parçası süpürgeye takılı ise emiş gücü düşer.

## Süpürge ek parçasının takılması veya çıkarılması

Emme başlığı gibi bir ek parça takmak için, ek parçayı çevirerek hortuma sıkı bir şekilde takın. Ayırmak için, çevirerek çıkarın.

Takma şekli, şekilde gösterildiği gibi emme başlıklarına göre değişir.

► **Şek.21:** 1. Hortum 2. Kauçuk emme başlığı 3. Yumuşak fırça 4. Koltuk emme başlığı 5. Paspas emme başlığı

## Emerek süpürme

### Kauçuk emme başlığı

Bu emme başlığı, kapı cebi gibi alt köşeleri temizlemek için kullanışlıdır. Kauçuk emme başlığı, temizlenen yüzeye hassas davranır.

► **Şek.22:** 1. Kauçuk emme başlığı

## Yumuşak fırça

Bu emme başlığı klima havalandırma deliklerini, gösterge panolarını, vb. temizlemek için kullanışlıdır. Yumuşak fırçanın başı, döndürülerek dik açılı hale getirilebilir.

► **Şek.23:** 1. Yumuşak fırça

## Koltuk emme başlığı

Bu emme başlığı, koltuk yüzeyini temizlemek için hav fırçasına sahiptir. Emme başlığı üzerindeki yan fırça, dikiş yerlerinden tozu dışarı atmak için kullanışlıdır.

► **Şek.24:** 1. Koltuk emme başlığı 2. Yan fırça

## Paspas emme başlığı

Bu emme başlığı, paspas ve halı temizlemek için kullanılır. Emme başlığı üzerindeki dişler, kum tanelerini dışarı atmaya yardımcı olur.

► **Şek.25:** 1. Paspas emme başlığı

**ÖNEMLİ NOT:** Paspas temizlemek için daima paspas emme başlığını kullanın. Paspas emme başlığının başka materyaller için kullanılması başlığın yüzeyini çizebilir.

## Emme başlığı olmadan temizleme

Emme başlığı olmadan emerek süpürme yapabilirsiniz.

► **Şek.26**

## Tozun boşaltılması

**⚠DİKKAT:** Dolmadan önce toz torbasını boşaltın veya kağıt filtreyi değiştirin. Aksi takdirde emiş/üfleme gücü zayıflar.

**⚠DİKKAT:** Toz kutusu kapağını kapatırken parmaklarınızı kısırmamaya dikkat edin.

**ÖNEMLİ NOT:** İster toz torbası ister kağıt filtre kullanılsın, her iki durumda da toz durdurucunun kullanılması gerektiği için toz durdurucuyu asla atmayın.

**ÖNEMLİ NOT:** Süpürge içinde toz torbası/kağıt filtre yokken toz kutusu kapağı tamamen kapanmaz. Toz kutusu kapağını kapatmak için zorlamayın. Aletin deforme olmasına veya kırılmasına neden olabilir.

**ÖNEMLİ NOT:** Tozu atarken toz torbası/kağıt filtre haznesini de temizleyin. Haznede kalan toz ve kir, sünger filtresin tıkanmasına veya motorun hasar görmesine neden olabilir.

1. Toz kutusu kapağını açın.  
► **Şek.27:** 1. Toz kutusu kapağı

2. Hem turuncu renkli toz durdurucuyu hem de toz torbasını/kağıt filtreyi aynı anda çekip çıkarın.  
► **Şek.28:** 1. Toz durdurucu

3. **Toz torbasını kullanırken**  
Toz durdurucuyu çıkarın ve toz torbasını boşaltın.  
► **Şek.29:** 1. Toz durdurucu 2. Toz torbası

**Kağıt filtre kullanırken**  
Toz durdurucuyu çıkarın ve kağıt filtreyi atın.  
► **Şek.30:** 1. Toz durdurucu 2. Kağıt filtre

4. Toz torbasını/yeni kağıt filtreyi ve toz durdurucuyu birlikte süpürgeye yerleştirin ve toz kutusu kapağını kapatın.

## Üfleyci olarak kullanılması

**⚠DİKKAT:** Emme başlığını asla civardaki insanlara yönelmeyin.

**⚠DİKKAT:** Toz solunmasının engellenmesi için çalışırken pencerelerin açılması ve ayrıca koruyucu gözlük ve maske takılması önerilir.

**⚠DİKKAT:** Üfleyci ek parçasını çekmeyin. Süpürgeден çıkabilir.

**⚠DİKKAT:** Süpürgeyi plastik rafting botu, top veya diğer şişirilebilir ürünler gibi eşyalara hava basmak için kullanmayın. Yüksek motor devri, fanın tehlikeli bir şekilde kopmasına yol açabilir.

**⚠DİKKAT:** Emme ağzını ve/veya üfleyci çıkışı asla tıkamayın. Tozlu alanda çalışırken emme ağzının veya üfleyci çıkışının toz veya pislikle tıkanmamasına dikkat edin.

**⚠DİKKAT:** Makita tarafından sağlanan emme başlıkları dışında başka emme başlıkları kullanmayın.

## Üfleyci ek parçasının takılması veya çıkarılması

Üfleyci ek parçasını takmak için üfleyci ek parçası ağzının çıkıntısını delik üzerindeki oyuk ile hizalayın ve ardından tık sesi çıkana kadar ittirin.

► **Şek.31:** 1. Üfleyci ek parçası

Üfleyci ek parçasını çıkarmak için şekilde gösterildiği gibi üst kısmına bastırarak ağız aşağı doğru çekin.

► **Şek.32**

## Üfleme

Üfleyci ek parçasının ucunu üflenecek maddeye doğrultun ve ardından aleti açın.

► **Şek.33**

## BAKIM

**⚠DİKKAT:** Muayene ya da bakım yapmadan önce aletin kapalı ve batarya kartuşunun çıkartılmış olduğundan daima emin olun.

**ÖNEMLİ NOT:** Benzin, tiner, alkol ve benzeri maddeleri kesinlikle kullanmayın. Renk değişimi, deformasyon veya çatlaklar oluşabilir.

Aleti EMNİYETLİ ve ÇALIŞMAYA HAZIR durumda tutmak için onarımlar, başka her türlü bakım ve ayarlamalar daima Makita yedek parçaları kullanılarak Makita yetkili servis merkezleri veya Fabrikanın Servis Merkezleri tarafından yapılmalıdır.

## Temizleme

Zaman zaman sabunlu suyla ıslatılmış bir bezle süpürgeğin dış kısmını (süpürge gövdesini) silin. Emme ağzını, toz torbası/kağıt filtre takma bölgesini ve toz durdurucuyu da temizleyin.

► **Şek.34**

Toz torbasını, tozla tıkandığı ve süpürge'nin temizleme gücü zayıfladığı zaman, sabunlu suyla yıkayın. Kullanmadan önce, filtreyi tamamen kurutun. Yeterince kurumamış bir filtre emmenin kötüleşmesine ve motorun hizmet ömrünün kısalmasına neden olabilir.

► **Şek.35**

**NOT:** Kağıt filtreler tek kullanımlıktır.

Sünger filtre tozla tıkanırsa, süpürge'den çıkarın ve silerek ya da suda yıkayarak temizleyin.

## Sünger filtrenin takılması ve çıkarılması

**⚠DİKKAT:** Sünger filtreyi temizledikten sonra süpürgeye yerleştirmeyi unutmayın. Suda yıkadıysanız takmadan önce kurutun. Yeterince kurumamış bir sünger filtre motorun hizmet ömrünün kısalmasına neden olabilir.

Sünger filtreyi çıkarmak için, önce toz torbasını ya da kağıt filtreyi çıkarın, ardından sünger filtreyi tutup çekerek çıkarın.

► **Şek.36:** 1. Sünger filtre

Sünger filtrenin kenar kısmının tamamını, toz torbası/kağıt filtre takılan bölümün içindeki girintili duvara doğru bastırın.

► **Şek.37:** 1. Girintili duvar

## Saklama

**⚠UYARI:** Batarya kartuşunu ve şarj aletini asla arabanın içinde bırakmayın. Güneşin altındaki bir arabanın içinde sıcaklık 50 °C'yi geçebilir. Bu, batarya kartuşunun bozulmasına neden olabilir ve sıvı çıkması, duman emisyonu veya yangına neden olabilir.

► **Şek.38**

**⚠UYARI:** Şarj aletini asla saklama çantasında saklarken kullanmayın. Havalandırma deliğinin tıkanması duman emisyonu veya yangına neden olabilir.

► **Şek.39**

**⚠UYARI:** Batarya kartuşunu asla araç üstü invertlerle şarj etmeyin. Anormal ısıya ve yangına neden olabilir.

**⚠UYARI:** Batarya kartuşunu asla arabanın içinde şarj etmeyin. Batarya kartuşu, 10°C - 40°C sıcaklık aralığının dışındaki sıcaklıklara maruz kalırsa ısı ve/veya ateş üretebilir veya patlayabilir.

**⚠DİKKAT:** Süpürge kullanımda değilken takılarak düşmeleri engellemek için hortumu daima şekilde gösterildiği gibi saklayın. Katlanmamış hortum ayağınıza takılabilir ve yaralanmaya neden olabilir.

► **Şek.40:** 1. Kanca 2. Hortum

## Sorun giderme

Onarım yaptırmaya çalışmadan önce aşağıdaki hususları kontrol edin.

Belirti	Muayene edilecek bölge	Giderme yöntemi
Zayıf emme gücü	Toz torbası veya kağıt filtre tozla dolu mu?	Toz torbası veya kağıt filtreyi boşaltın.
	Toz torbası tıkanmış mı?	Tozları boşaltın veya toz torbasını yıkayın.
	Kağıt filtre tıkanmış mı?	Kağıt filtreyi değiştirin.
	Batarya kartuşunun şarjı bitmiş mi?	Batarya kartuşunu şarj edin.
Çalışmıyor	Batarya kartuşunun şarjı bitmiş mi?	Batarya kartuşunu şarj edin.
Toz kutusu kapağı kapanmıyor	Toz torbası veya kağıt filtre takılı mı?	Toz torbası veya kağıt filtreyi takın.

**ÖNEMLİ NOT:** Süpürgeyi kendiniz onarmaya çalışmayın.

## İSTEĞE BAĞLI AKSESUARLAR

**⚠DİKKAT:** Bu aksesuarlar ve ek parçalar bu el kitabında belirtilen Makita aletiniz ile kullanılmak için tavsiye edilmektedir. Herhangi başka bir aksesuar ya da ek parça kullanılması insanlar için bir yaralanma riski getirebilir. Aksesuarları ya da ek parçaları yalnızca belirtilmiş olan kullanım amaçlarına uygun olarak kullanın.

Bu aksesuarlarla ilgili daha fazla bilgiye ihtiyaç duyarsanız bulunduğunuz yerdeki yetkili Makita servisine başvurun.

- Uzatma çubuğu (Düz boru)
- Emme başlığı
- Halı ağız

- Raf fırçası
- Köşe emme başlığı
- Yuvarlak fırça
- Esnek hortum
- Kağıt filtre
- Serbest ağız
- Koltuk emme başlığı
- Dar alan emme başlığı
- Siklon ek parçası
- Toz torbası
- Yüksek performanslı toz torbası
- Taşıma çantası
- Orijinal Makita batarya ve şarj aleti

**NOT:** Listedeki parçaların bazıları alet paketi içerisinde standart aksesuar olarak dahil edilmiş olabilir. Bunlar ülkeden ülkeye farklılık gösterebilir.

**Makita Europe N.V.** Jan-Baptist Vinkstraat 2,  
3070 Kortenberg, Belgium

**Makita Corporation** 3-11-8, Sumiyoshi-cho,  
Anjo, Aichi 446-8502 Japan

[www.makita.com](http://www.makita.com)

885803-998 EN, FR, DE, IT, NL, ES, PT, DA, EL, TR 20200406
---