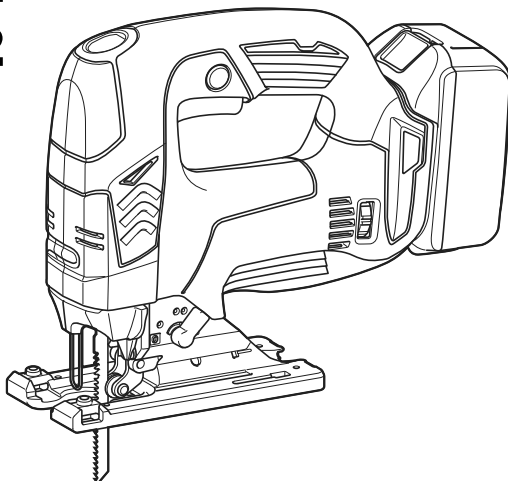




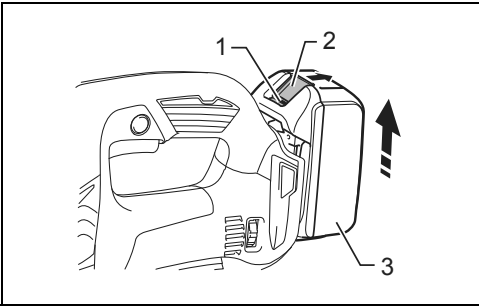
GB	Cordless Jig Saw	Instruction manual
F	Scie sauteuse sans fil	Manuel d'instructions
D	Akku-Stichsäge	Betriebsanleitung
I	Sega da traforo a batteria	Istruzioni per l'uso
NL	Accudecoupeerzaag	Gebruiksaanwijzing
E	Sierra Caladora Inalámbrica	Manual de instrucciones
P	Serra Tico-Tico a Bateria	Manual de instruções
DK	Ledningsfri stiksav	Brugsanvisning
GR	Σέγα μπαταρίας	Οδηγίες χρήσης
TR	Akülü Dekupaj Testere	Kullanım kılavuzu

DJV142
DJV182



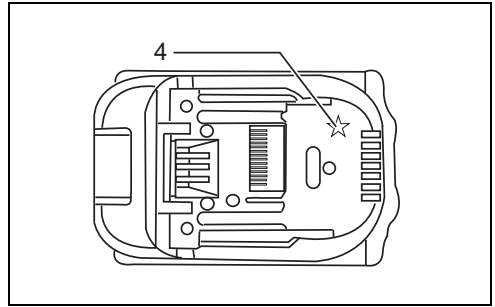
014104





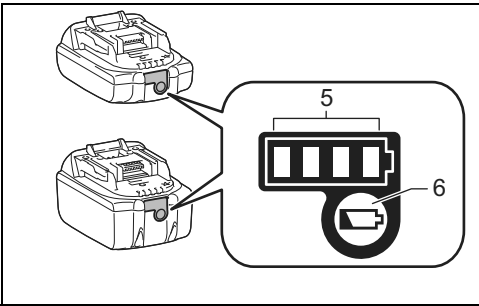
1

014154



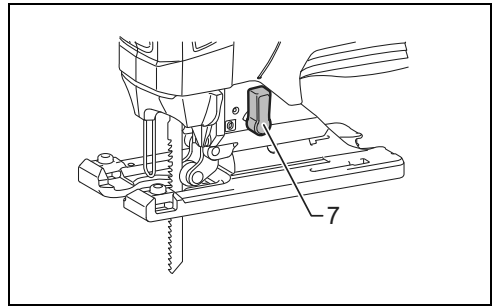
2

012128



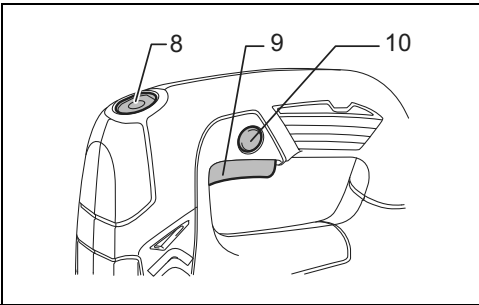
3

015659



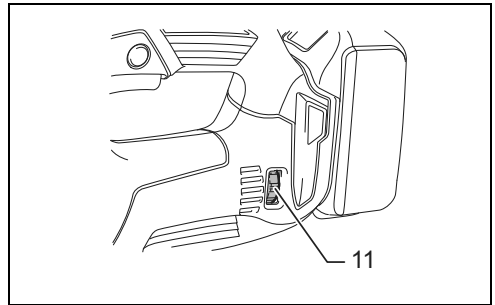
4

014105



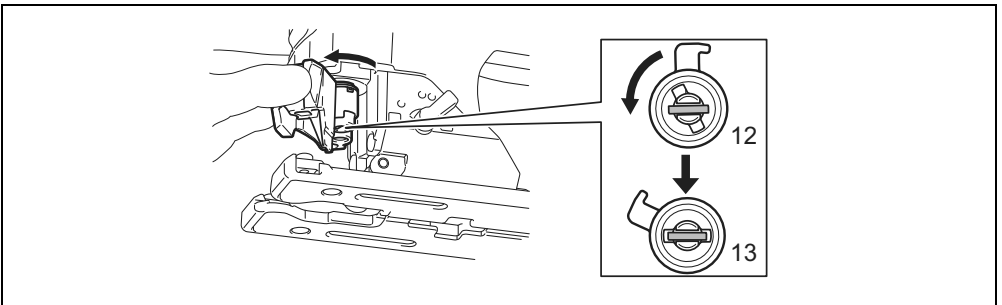
5

014106



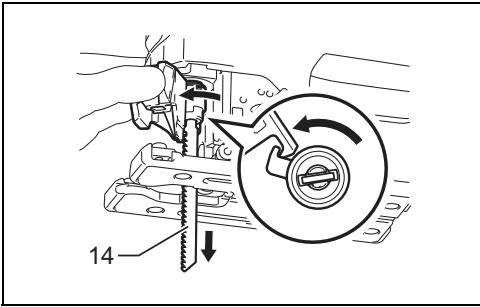
6

014107



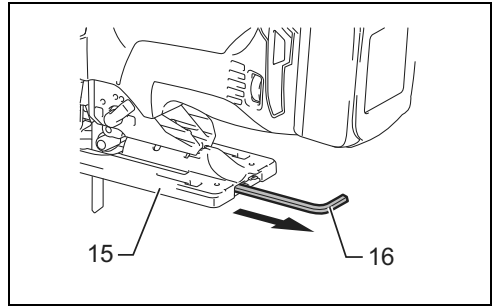
7

014120



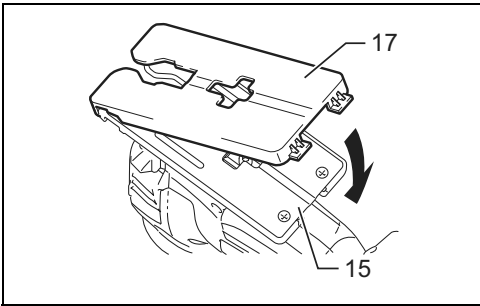
8

014119



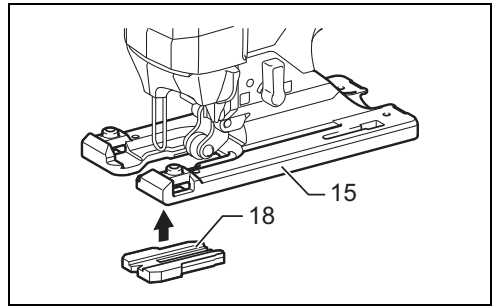
9

014109



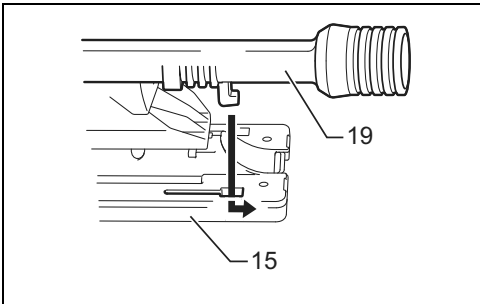
10

014127



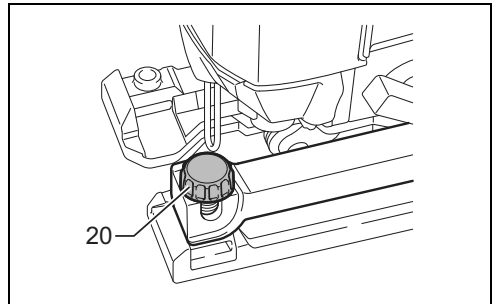
11

014121



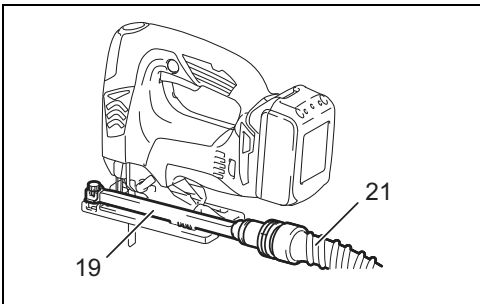
12

013878



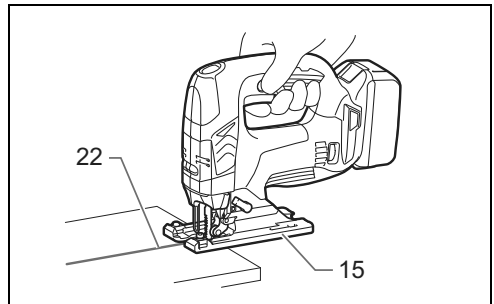
13

014122



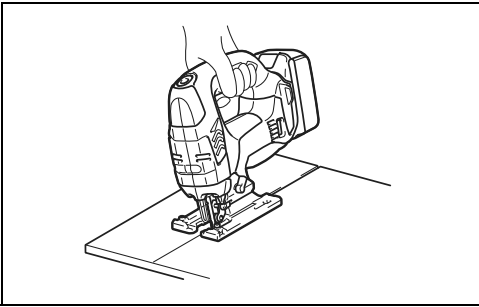
14

014117



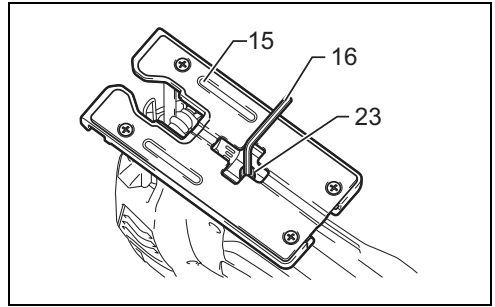
15

014110



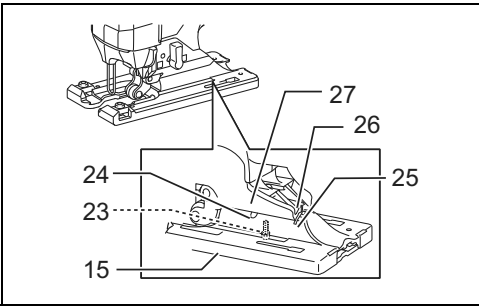
16

014111



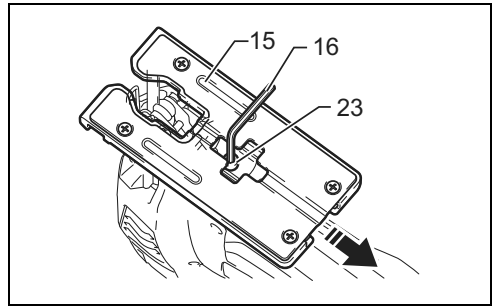
17

014112



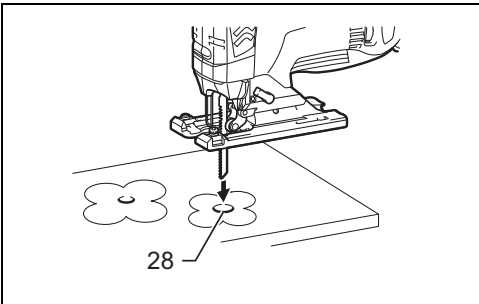
18

014123



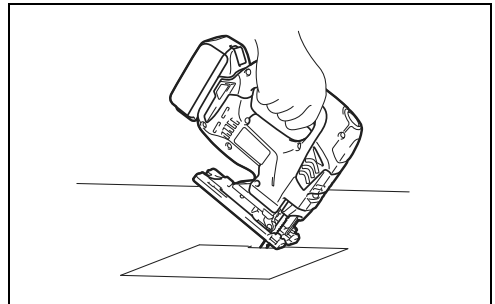
19

014113



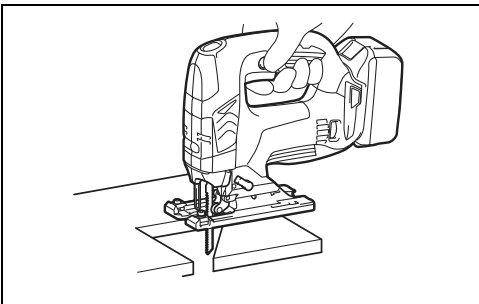
20

014114



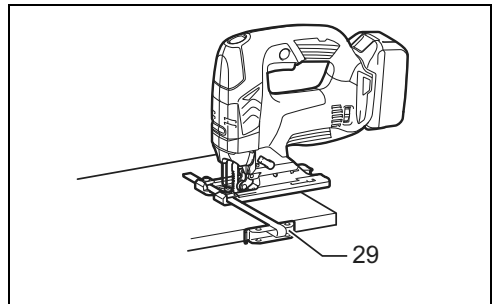
21

014115



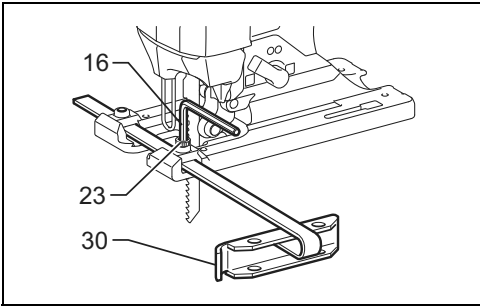
22

014116



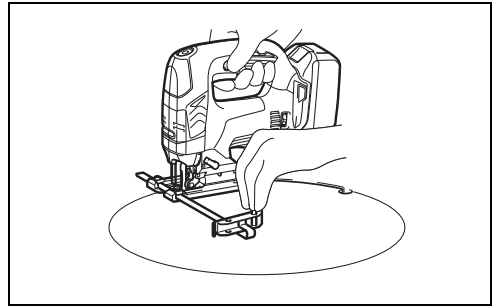
23

014151



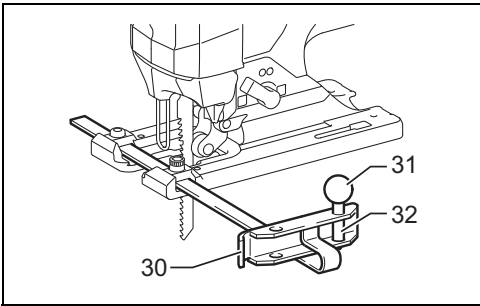
24

014124



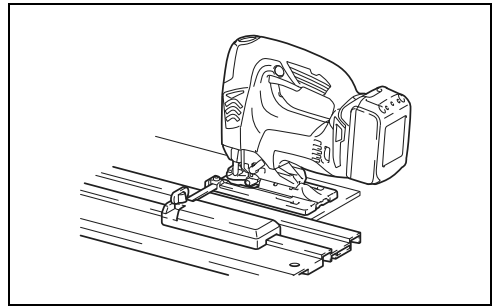
25

014152



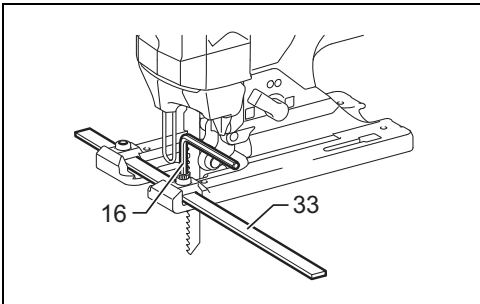
26

014125



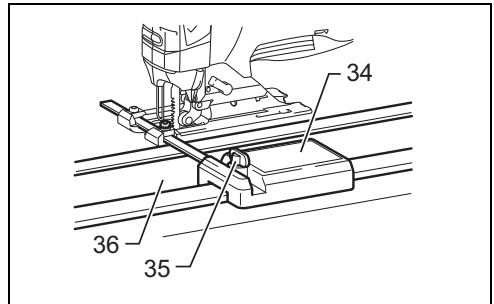
27

014118



28

014126



29

014153

ENGLISH (Original instructions)

Explanation of general view

- | | | |
|----------------------------------|-----------------------------|------------------------|
| 1. Red indicator | 13. Released position | 25. Graduations |
| 2. Button | 14. Jig saw blade | 26. V-notch |
| 3. Battery cartridge | 15. Base | 27. Gear housing |
| 4. Star marking | 16. Hex wrench | 28. Starting hole |
| 5. Indicator lamps | 17. Cover plate | 29. Rip fence |
| 6. Check button | 18. Anti-splintering device | 30. Fence guide |
| 7. Cutting action changing lever | 19. Dust nozzle | 31. Threaded knob |
| 8. Lock switch | 20. Clamp screw | 32. Circular guide pin |
| 9. Switch trigger | 21. Hose for vacuum cleaner | 33. Ruler bar |
| 10. Lock on button | 22. Cutting line | 34. Guide rail adapter |
| 11. Speed adjusting dial | 23. Bolt | 35. Screw |
| 12. Fixed position | 24. Bevel slot | 36. Guide rail |

SPECIFICATIONS

Model	DJV142	DJV182
Length of stroke	26 mm	26 mm
Max. cutting capacities	Wood	135 mm
	Mild steel	10 mm
	Aluminum	20 mm
Strokes per minute (min ⁻¹)	800 - 3,500	800 - 3,500
Overall length	264 mm	266 mm
Net weight	2.3 - 2.6 kg	2.4 - 2.7 kg
Rated voltage	D.C. 14.4 V	D.C. 18 V

- Due to our continuing program of research and development, the specifications herein are subject to change without notice.
- Specifications may differ from country to country.
- The weight may differ depending on the attachment(s), including the battery cartridge. The lightest and heaviest combination, according to EPTA-Procedure 01/2014, are shown in the table.

Applicable battery cartridge and charger

Battery cartridge	D.C. 14.4 V Model	BL1415N/BL1430/BL1430B/BL1440/BL1450/BL1460B
	D.C. 18 V Model	BL1815N/BL1820/BL1820B/BL1830/BL1830B/BL1840/BL1840B/BL1850/BL1850B/BL1860B
Charger	DC18RC/DC18RD/DC18RE/DC18SD/DC18SE/DC18SF	

- Some of the battery cartridges and chargers listed above may not be available depending on your region of residence.

WARNING:

- **Only use the battery cartridges and chargers listed above.** Use of any other battery cartridges and chargers may cause injury and/or fire.


Intended use

ENE019-1

The tool is intended for the sawing of wood, plastic and metal materials. As a result of the extensive accessory and saw blade program, the tool can be used for many purposes and is very well suited for curved or circular cuts.

General power tool safety warnings

GEA010-2

 **WARNING: Read all safety warnings, instructions, illustrations and specifications provided with this power tool.** Failure to follow all instructions listed below may result in electric shock, fire and/or serious injury.

Save all warnings and instructions for future reference.

The term "power tool" in the warnings refers to your mains-operated (corded) power tool or battery-operated (cordless) power tool.

Cordless jig saw safety warnings

GEB187-1

1. **Hold the power tool by insulated gripping surfaces, when performing an operation where the cutting accessory may contact hidden wiring.**

Cutting accessory contacting a “live” wire may make exposed metal parts of the power tool “live” and could give the operator an electric shock.

2. **Use clamps or another practical way to secure and support the workpiece to a stable platform.** Holding the workpiece by hand or against your body leaves it unstable and may lead to loss of control.
3. **Always use safety glasses or goggles. Ordinary eye or sun glasses are NOT safety glasses.**
4. **Avoid cutting nails. Inspect workpiece for any nails and remove them before operation.**
5. **Do not cut oversize workpiece.**
6. **Check for the proper clearance beyond the workpiece before cutting so that the blade will not strike the floor, workbench, etc.**
7. **Hold the tool firmly.**
8. **Make sure the blade is not contacting the workpiece before the switch is turned on.**
9. **Keep hands away from moving parts.**
10. **Do not leave the tool running. Operate the tool only when hand-held.**
11. **Always switch off and wait for the blade to come to a complete stop before removing the blade from the workpiece.**
12. **Do not touch the blade or the workpiece immediately after operation; they may be extremely hot and could burn your skin.**
13. **Do not operate the tool at no-load unnecessarily.**
14. **Some material contains chemicals which may be toxic. Take caution to prevent dust inhalation and skin contact. Follow material supplier safety data.**
15. **Always use the correct dust mask/respirator for the material and application you are working with.**

SAVE THESE INSTRUCTIONS.

WARNING:

DO NOT let comfort or familiarity with product (gained from repeated use) replace strict adherence to safety rules for the subject product. **MISUSE** or failure to follow the safety rules stated in this instruction manual may cause serious personal injury.

IMPORTANT SAFETY INSTRUCTIONS FOR BATTERY CARTRIDGE

ENC007-12

1. **Before using battery cartridge, read all instructions and cautionary markings on (1) battery charger, (2) battery, and (3) product using battery.**
2. **Do not disassemble battery cartridge.**
3. **If operating time has become excessively shorter, stop operating immediately. It may result in a risk of overheating, possible burns and even an explosion.**
4. **If electrolyte gets into your eyes, rinse them out with clear water and seek medical attention right away. It may result in loss of your eyesight.**
5. **Do not short the battery cartridge:**
 - (1) **Do not touch the terminals with any conductive material.**

- (2) **Avoid storing battery cartridge in a container with other metal objects such as nails, coins, etc.**
- (3) **Do not expose battery cartridge to water or rain.**

A battery short can cause a large current flow, overheating, possible burns and even a breakdown.

6. **Do not store the tool and battery cartridge in locations where the temperature may reach or exceed 50°C (122°F).**
7. **Do not incinerate the battery cartridge even if it is severely damaged or is completely worn out. The battery cartridge can explode in a fire.**
8. **Be careful not to drop or strike battery.**
9. **Do not use a damaged battery.**
10. **The contained lithium-ion batteries are subject to the Dangerous Goods Legislation requirements.** For commercial transports e.g. by third parties, forwarding agents, special requirement on packaging and labeling must be observed. For preparation of the item being shipped, consulting an expert for hazardous material is required. Please also observe possibly more detailed national regulations. Tape or mask off open contacts and pack up the battery in such a manner that it cannot move around in the packaging.
11. **Follow your local regulations relating to disposal of battery.**
12. **Use the batteries only with the products specified by Makita.** Installing the batteries to non-compliant products may result in a fire, excessive heat, explosion, or leak of electrolyte.

SAVE THESE INSTRUCTIONS.

CAUTION: Only use genuine Makita batteries.

Use of non-genuine Makita batteries, or batteries that have been altered, may result in the battery bursting causing fires, personal injury and damage. It will also void the Makita warranty for the Makita tool and charger.

Tips for maintaining maximum battery life

1. **Charge the battery cartridge before completely discharged.**
Always stop tool operation and charge the battery cartridge when you notice less tool power.
2. **Never recharge a fully charged battery cartridge. Overcharging shortens the battery service life.**
3. **Charge the battery cartridge with room temperature at 10°C - 40°C (50°F - 104°F). Let a hot battery cartridge cool down before charging it.**
4. **Charge the battery cartridge if you do not use it for a long period (more than six months).**

FUNCTIONAL DESCRIPTION

CAUTION:

- Always be sure that the tool is switched off and the battery cartridge is removed before adjusting or checking function on the tool.

Installing or removing battery cartridge (Fig. 1)

⚠ CAUTION:

- Always switch off the tool before installing or removing of the battery cartridge.
- Hold the tool and the battery cartridge firmly when installing or removing battery cartridge. Failure to hold the tool and the battery cartridge firmly may cause them to slip off your hands and result in damage to the tool and battery cartridge and a personal injury.

To remove the battery cartridge, slide it from the tool while sliding the button on the front of the cartridge.

To install the battery cartridge, align the tongue on the battery cartridge with the groove in the housing and slip it into place. Insert it all the way until it locks in place with a little click. If you can see the red indicator on the upper side of the button, it is not locked completely.

⚠ CAUTION:

- Always install the battery cartridge fully until the red indicator cannot be seen. If not, it may accidentally fall out of the tool, causing injury to you or someone around you.
- Do not install the battery cartridge forcibly. If the cartridge does not slide in easily, it is not being inserted correctly.

Battery protection system (Lithium-ion battery with star marking) (Fig. 2)

Lithium-ion batteries with a star marking are equipped with a protection system. This system automatically cuts off power to the tool to extend battery life.

The tool will automatically stop during operation if the tool and/or battery are placed under one of the following conditions:

- Overloaded:
 - The tool is operated in a manner that causes it to draw an abnormally high current.
 - In this situation, release the switch trigger on the tool and stop the application that caused the tool to become overloaded. Then pull the switch trigger again to restart.
 - If the tool does not start, the battery is overheated. In this situation, let the battery cool before pulling the switch trigger again.
- Low battery voltage:
 - The remaining battery capacity is too low and the tool will not operate. In this situation, remove and recharge the battery.

Indicating the remaining battery capacity

Only for battery cartridges with the indicator (Fig. 3)
Press the check button on the battery cartridge to indicate the remaining battery capacity. The indicator lamps light up for a few seconds.

Indicator lamps			Remaining capacity
Lighted	Off	Blinking	
■	□	◐	75% to 100%
■	■	□	50% to 75%
■	■	□	25% to 50%
■	□	□	0% to 25%
◐	□	□	Charge the battery.
■	■	□	The battery may have malfunctioned.
□	□	■	

NOTE:

- Depending on the conditions of use and the ambient temperature, the indication may differ slightly from the actual capacity.

Selecting the cutting action (Fig. 4)

This tool can be operated with an orbital or a straight line (up and down) cutting action. The orbital cutting action thrusts the blade forward on the cutting stroke and greatly increases cutting speed.

To change the cutting action, just turn the cutting action changing lever to the desired cutting action position. Refer to the table to select the appropriate cutting action.

Position	Cutting action	Applications
0	Straight line cutting action	For cutting mild steel, stainless steel and plastics. For clean cuts in wood and plywood.
I	Small orbit cutting action	For cutting mild steel, aluminum and hard wood.
II	Medium orbit cutting action	For cutting wood and plywood. For fast cutting in aluminum and mild steel.
III	Large orbit cutting action	For fast cutting in wood and plywood.

006376

Switch action

⚠ CAUTION:

- Before inserting the battery cartridge into the tool, always check to see that the switch trigger actuates properly and returns to the "OFF" position when released. (Fig. 5)

To start the tool:

Press the lock switch to turn the tool into standby mode. It turns the lamp on, too.

Pull the switch trigger to start the tool. Release the switch trigger to stop.

For continuous operation, pull the switch trigger and then push in the lock on button.

To stop the tool from the locked position, pull the switch trigger fully, and then release it.

In standby mode, press the lock switch to turn the lamp off and turn the tool into lock-off mode.

NOTE:

- The lock switch does not actuate during cutting operation.
- When the tool is in standby mode, the lamp keeps lighting.
- If the tool is left 10 seconds without any operations in standby mode, the tool is automatically turned into lock-off mode and the lamp goes off.

Lighting up the lamps

⚠ CAUTION:

- Do not look in the lamp or see the source of lamp directly.

To turn on the lamp, press the lock switch.

To turn off the lamp within 10 seconds, press the lock switch again.

NOTE:

- Use a dry cloth to wipe the dirt off the lens of lamp. Be careful not to scratch the lens of lamp, or it may lower the illumination.
- When the tool is overheated, the lamp flickers. Cool down the tool fully before operating again.

Speed adjusting dial (Fig. 6)

The tool speed can be infinitely adjusted by turning the speed adjusting dial. You can get the highest speed at 6 and the lowest speed at 1.

Refer to the table to select the proper speed for the workpiece to be cut. However, the appropriate speed may differ with the type or thickness of the workpiece. In general, higher speeds will allow you to cut workpieces faster but the service life of the blade will be reduced.

Workpiece to be cut	Number on adjusting dial
Wood	4 - 6
Mild steel	3 - 6
Stainless steel	3 - 4
Aluminum	3 - 6
Plastics	1 - 4

013925

⚠ CAUTION:

- The speed adjusting dial can be turned only as far as 6 and back to 1. Do not force it past 6 or 1, or the speed adjusting function may no longer work.

NOTE:

- When the speed adjusting dial is at 3 or higher, the tool automatically reduces the no-load speed to reduce the vibration under no-load. Once the tool gets load, the tool speed reaches the preset speed. Then the tool keeps the speed until the tool is switched off. When

temperature is low and there is less fluidity in grease, the tool may not have this function even with the motor rotating.

ASSEMBLY

⚠ CAUTION:

- Always be sure that the tool is switched off and the battery cartridge is removed before carrying out any work on the tool.

Installing or removing saw blade

⚠ CAUTION:

- Always clean out all chips or foreign matter adhering to the blade and/or blade holder. Failure to do so may cause insufficient tightening of the blade, resulting in a serious personal injury.
- Do not touch the blade or the workpiece immediately after operation; they may be extremely hot and could burn your skin.
- Tighten the saw blade securely. Failure to do so may cause a serious injury.
- When you remove the saw blade, be careful not to hurt your fingers with the top of the blade or the tips of workpiece. (Fig. 7)

Before installing the blade, make sure that the blade holder is in the released position.

To install the blade, insert the blade (teeth facing forward) into the blade holder until it latches. The blade holder moves to the fixed position by itself and the blade is locked. Pull the blade lightly to make sure that the blade does not fall off during operation.

⚠ CAUTION:

- Do not open the tool opener excessively, or it may cause tool damage. (Fig. 8)

To remove the blade, push the tool opener forward as far as it will go. This allows the blade to be released.

NOTE:

- Occasionally lubricate the roller.

Hex wrench storage (Fig. 9)

When not in use, store the hex wrench as shown in the figure to keep it from being lost.

Cover plate (Fig. 10)

Use the cover plate when cutting decorative veneers, plastics, etc. It protects sensitive or delicate surfaces from damage. Fit it on the back of the tool base.

Anti-splintering device (Fig. 11)

For splinter-free cuts, the anti-splintering device can be used. To install the anti-splintering device, move the tool base all the way forward and fit it from the back of tool base. When you use the cover plate, install the anti-splintering device onto the cover plate.

⚠ CAUTION:

- The anti-splintering device cannot be used when making bevel cuts.

Dust extraction

The dust nozzle (optional accessory) is recommended to perform clean cutting operations. (Fig. 12)

To attach the dust nozzle on the tool, insert the hook of dust nozzle into the hole in the base. (Fig. 13)

To secure the dust nozzle, tighten the clamp screw at the front of the dust nozzle.

The dust nozzle can be installed on either left or right side of the base. (Fig. 14)

Then connect a Makita vacuum cleaner to the dust nozzle.

OPERATION

CAUTION:

- Always hold the base flush with the workpiece. Failure to do so may cause blade breakage, resulting in a serious injury.

NOTE:

- If the tool is operated continuously until the battery cartridge has discharged, allow the tool to rest for 15 minutes before proceeding with a fresh battery. (Fig. 15)

Turn the tool on without the blade making any contact and wait until the blade attains full speed. Then rest the base flat on the workpiece and gently move the tool forward along the previously marked cutting line.

When cutting curves, advance the tool very slowly.

Bevel cutting (Fig. 16)

CAUTION:

- Always be sure that the tool is switched off and the battery cartridge is removed before tilting the base. With the base tilted, you can make bevel cuts at any angle between 0° and 45° (left or right). (Fig. 17)

To tilt the base, loosen the bolt on the back of the base with the hex wrench. Move the base so that the bolt is positioned in the center of the bevel slot in the base. (Fig. 18)

Tilt the base until the desired bevel angle is obtained. The V-notch of the gear housing indicates the bevel angle by graduations. Then tighten the bolt firmly to secure the base.

Front flush cuts (Fig. 19)

Loosen the bolt on the back of the base with the hex wrench and slide the base all the way back. Then tighten the bolt to secure the base.

Cutouts

Cutouts can be made with either of two methods A or B.

A) Boring a starting hole: (Fig. 20)

- For internal cutouts without a lead-in cut from an edge, pre-drill a starting hole 12 mm or more in diameter. Insert the blade into this hole to start your cut.

B) Plunge cutting: (Fig. 21)

- You need not bore a starting hole or make a lead-in cut if you carefully do as follows.
1. Tilt the tool up on the front edge of the base with the blade point positioned just above the workpiece surface.

2. Apply pressure to the tool so that the front edge of the base will not move when you switch on the tool and gently lower the back end of the tool slowly.
3. As the blade pierces the workpiece, slowly lower the base of the tool down onto the workpiece surface.
4. Complete the cut in the normal manner.

Finishing edges (Fig. 22)

To trim edges or make dimensional adjustments, run the blade lightly along the cut edges.

Metal cutting

Always use a suitable coolant (cutting oil) when cutting metal. Failure to do so will cause significant blade wear. The underside of the workpiece can be greased instead of using a coolant.

Rip fence set (optional accessory)

CAUTION:

- Always be sure that the tool is switched off and the battery cartridge is removed before installing or removing accessories.

1. Straight cuts (Fig. 23)

When repeatedly cutting widths of 160 mm or less, use of the rip fence will assure fast, clean, straight cuts. (Fig. 24) To install, insert the rip fence into the rectangular hole on the side of the tool base with the fence guide facing down. Slide the rip fence to the desired cutting width position, then tighten the bolt to secure it.

2. Circular cuts (Fig. 25 & 26)

When cutting circles or arcs of 170 mm or less in radius, install the rip fence as follows.

1. Insert the rip fence into the rectangular hole on the side of the base with the fence guide facing up. Insert the circular guide pin through either of the two holes on the fence guide. Screw the threaded knob onto the pin to secure the pin.
2. Now slide the rip fence to the desired cutting radius, and tighten the bolt to secure it in place. Then move the base all the way forward.

NOTE:

- Always use blades No. B-17, B-18, B-26 or B-27 when cutting circles or arcs.

Guide rail adapter set (optional accessory) (Fig. 27)

When cutting parallel and uniform width or cutting straight, the use of the guide rail and the guide rail adapter will assure the production of fast and clean cuts.

To install the guide rail adapter, insert the rule bar into the square hole of the base as far as it goes. Secure the bolt with the hex wrench securely. (Fig. 28)

Install the guide rail adapter on the rail of the guide rail. Insert the rule bar into the square hole of the guide rail adapter. Put the base to the side of the guide rail, and secure the bolt securely. (Fig. 29)

CAUTION:

- Always use blades No. B-8, B-13, B-16, B-17 or 58 when using the guide rail and the guide rail adapter.

MAINTENANCE

CAUTION:

- Always be sure that the tool is switched off and the battery cartridge is removed before attempting to perform inspection or maintenance.
 - Never use gasoline, benzine, thinner, alcohol or the like. Discoloration, deformation or cracks may result.
- To maintain product SAFETY and RELIABILITY, repairs, any other maintenance or adjustment should be performed by Makita Authorized Service Centers, always using Makita replacement parts.

OPTIONAL ACCESSORIES

CAUTION:

- These accessories or attachments are recommended for use with your Makita tool specified in this manual. The use of any other accessories or attachments might present a risk of injury to persons. Only use accessory or attachment for its stated purpose.

If you need any assistance for more details regarding these accessories, ask your local Makita Service Center.

- Jig saw blades
- Hex wrench 4
- Rip fence (guide rule) set
- Guide rail adapter set
- Guide rail set
- Anti-splintering device
- Cover plate
- Dust nozzle assy
- Makita genuine battery and charger

NOTE:

- Some items in the list may be included in the tool package as standard accessories. They may differ from country to country.

Noise ENG905-1

The typical A-weighted noise level determined according to EN62841-2-11:

Model DJV142

Sound pressure level (L_{pA}): 78 dB (A)
Uncertainty (K): 3 dB (A)

The noise level under working may exceed 80 dB (A).

Model DJV182

Sound pressure level (L_{pA}): 77 dB (A)
Uncertainty (K): 3 dB (A)

The noise level under working may exceed 80 dB (A).

ENG907-1

- The declared noise emission value(s) has been measured in accordance with a standard test method and may be used for comparing one tool with another.
- The declared noise emission value(s) may also be used in a preliminary assessment of exposure.

WARNING:

- **Wear ear protection.**
- **The noise emission during actual use of the power tool can differ from the declared value(s) depending on the ways in which the tool is used especially what kind of workpiece is processed.**
- **Be sure to identify safety measures to protect the operator that are based on an estimation of**

exposure in the actual conditions of use (taking account of all parts of the operating cycle such as the times when the tool is switched off and when it is running idle in addition to the trigger time).

Vibration ENG900-1
The vibration total value (tri-axial vector sum) determined according to EN62841-2-11:

Model DJV142

Work mode: cutting boards
Vibration emission ($a_{h,B}$): 7.0 m/s²
Uncertainty (K): 1.5 m/s²

Work mode: cutting sheet metal
Vibration emission ($a_{h,M}$): 4.0 m/s²
Uncertainty (K): 1.5 m/s²

Model DJV182

Work mode: cutting boards
Vibration emission ($a_{h,B}$): 7.0 m/s²
Uncertainty (K): 1.5 m/s²

Work mode: cutting sheet metal
Vibration emission ($a_{h,M}$): 3.5 m/s²
Uncertainty (K): 1.5 m/s²

ENG901-2

- The declared vibration total value(s) has been measured in accordance with a standard test method and may be used for comparing one tool with another.
- The declared vibration total value(s) may also be used in a preliminary assessment of exposure.

WARNING:

- **The vibration emission during actual use of the power tool can differ from the declared value(s) depending on the ways in which the tool is used especially what kind of workpiece is processed.**
- **Be sure to identify safety measures to protect the operator that are based on an estimation of exposure in the actual conditions of use (taking account of all parts of the operating cycle such as the times when the tool is switched off and when it is running idle in addition to the trigger time).**

EC Declaration of Conformity

For European countries only

The EC declaration of conformity is included as Annex A to this instruction manual.

FRANÇAIS (Instructions d'origine)

Descriptif

1. Voyant rouge	13. Position ouverte	26. Encoche en V
2. Bouton	14. Lame de scie sauteuse	27. Carter d'engrenage
3. Batterie	15. Base	28. Trou de départ
4. Étoile	16. Clé hexagonale	29. Garde parallèle
5. Voyants	17. Plaque de recouvrement	30. Guide de garde
6. Bouton de vérification	18. Dispositif anti-fente	31. Bouton fileté
7. Levier de sélection du mouvement de coupe	19. Raccord à poussières	32. Broche du guide circulaire
8. Interrupteur de sécurité	20. Vis de serrage	33. Tige graduée
9. Gâchette	21. Tuyau de l'aspirateur	34. Adaptateur pour rail de guidage
10. Bouton de verrouillage	22. Ligne de coupe	35. Vis
11. Molette de réglage de la vitesse	23. Boulon	36. Rail de guidage
12. Position fermée	24. Fente en biseau	
	25. Graduations	

SPÉCIFICATIONS

Modèle		DJV142	DJV182
Longueur de course		26 mm	26 mm
Capacités de coupe max.	Bois	135 mm	135 mm
	Acier doux	10 mm	10 mm
	Aluminium	20 mm	20 mm
Passes par minute (min ⁻¹)		800 - 3 500	800 - 3 500
Longueur totale		264 mm	266 mm
Poids net		2,3 - 2,6 kg	2,4 - 2,7 kg
Tension nominale		14,4 V C.C.	18 V C.C.

- Étant donné l'évolution constante de notre programme de recherche et de développement, les spécifications contenues dans ce manuel sont sujettes à des modifications sans préavis.
- Les spécifications peuvent varier suivant les pays.
- Le poids peut varier en fonction des pièces complémentaires, notamment de la batterie. La combinaison la plus légère et la combinaison la plus lourde, selon la procédure EPTA du 01/2014, sont présentées dans le tableau.

Batterie standard et chargeur applicables

Batterie	C.C. 14,4 V Modèle	BL1415N/BL1430/BL1430B/BL1440/BL1450/BL1460B
	C.C. 18 V Modèle	BL1815N/BL1820/BL1820B/BL1830/BL1830B/BL1840/BL1840B/BL1850/BL1850B/BL1860B
Chargeur		DC18RC/DC18RD/DC18RE/DC18SD/DC18SE/DC18SF

- Certains types de batterie et de chargeurs répertoriés ci-dessus peuvent ne pas être disponibles en fonction de votre région ou lieu de résidence.

AVERTISSEMENT :

- **Utilisez uniquement les batteries et chargeurs indiqués ci-dessus.** L'utilisation de toute autre batterie ou d'un autre chargeur peut provoquer des blessures et/ou déclencher un incendie.

Utilisations


Cet outil est conçu pour scier le bois, le plastique et les matériaux métalliques. Son système de lame et d'accessoires offre un grand nombre de possibilités et permet des coupes courbes ou circulaires.

ENE019-1

de toutes les instructions indiquées ci-dessus peut entraîner une électrocution, un incendie et/ou de graves blessures.

Consignes de sécurité générales pour outils électriques

GEA010-2

 **AVERTISSEMENT : Veuillez lire les consignes de sécurité, instructions, illustrations et spécifications qui accompagnent cet outil électrique.** Le non-respect

Conservez toutes les mises en garde et instructions pour référence ultérieure.

Le terme « outil électrique » dans les avertissements fait référence à l'outil électrique alimenté par le secteur (avec cordon d'alimentation) ou à l'outil électrique fonctionnant sur batterie (sans cordon d'alimentation).

Consignes de sécurité pour scie sauteuse sans fil

GEB187-1

1. Tenez l'outil électrique par des surfaces de prise isolées lorsque vous effectuez une tâche au cours de laquelle l'accessoire de coupe peut entrer en contact avec des fils cachés. Le contact de l'accessoire de découpe avec un fil sous tension peut transmettre du courant dans les pièces métalliques exposées de l'outil électrique et électrocuter l'utilisateur.
2. Utilisez des dispositifs de serrage ou un autre moyen pratique pour fixer la pièce sur une surface de travail stable. La pièce sera instable et vous risquez d'en perdre la maîtrise si vous la tenez dans vos mains ou l'appuyez contre votre corps.
3. Portez toujours des lunettes de sécurité ou des lunettes à coques. Les lunettes ordinaires et les lunettes de soleil NE sont PAS des lunettes de sécurité.
4. Prenez garde aux clous pendant la coupe. Avant de commencer le travail, inspectez la pièce et retirez tous les clous.
5. Ne coupez pas des pièces trop grandes.
6. Avant d'effectuer la coupe, assurez-vous que le dégagement sous la pièce est suffisant pour que la lame ne heurte pas une surface dure (sol, établi, etc.).
7. Tenez l'outil fermement.
8. Assurez-vous que la lame n'est pas en contact avec la pièce avant de mettre l'outil en marche.
9. Gardez vos mains à l'écart des pièces en mouvement.
10. N'abandonnez pas l'outil alors qu'il tourne. Ne faites fonctionner l'outil qu'une fois que vous l'avez bien en main.
11. Avant de retirer la lame de la pièce, mettez toujours l'outil hors tension et attendez que la lame soit complètement immobilisée.
12. Ne touchez ni la lame ni la pièce immédiatement après la coupe ; elles peuvent être très chaudes et vous risquez de vous brûler.
13. Ne faites pas tourner l'outil à vide inutilement.
14. Certains matériaux contiennent des produits chimiques susceptibles d'être toxiques. Prenez garde de ne pas avaler la poussière et évitez tout contact avec la peau. Suivez les données de sécurité du fournisseur du matériau.
15. Portez toujours un masque antipoussières/un masque filtrant adapté au matériau travaillé et à l'application utilisée.

CONSERVEZ CES INSTRUCTIONS.

AVERTISSEMENT :

NE vous laissez PAS tromper (au fil d'une utilisation répétée) par un sentiment d'aisance et de familiarité avec le produit, en négligeant le respect rigoureux des consignes de sécurité qui accompagnent le produit en question. La MAUVAISE UTILISATION de l'outil ou l'ignorance des consignes de sécurité indiquées dans ce mode d'emploi peut entraîner de graves blessures.

CONSIGNES DE SECURITE IMPORTANTES POUR LA BATTERIE

ENC007-12

1. Avant d'utiliser la batterie, veuillez lire toutes les instructions et tous les avertissements inscrits sur (1) le chargeur, (2) la batterie et (3) l'appareil alimenté par la batterie.
2. Ne démontez pas la batterie.
3. Cessez immédiatement d'utiliser l'outil si le temps de fonctionnement devient excessivement court. Il y a risque de surchauffe, de brûlures, voire d'explosion.
4. Si l'électrolyte pénètre dans vos yeux, rincez-les à l'eau claire et consultez immédiatement un médecin. Il y a risque de perte de la vue.
5. Évitez de court-circuiter la batterie :
 - (1) Ne touchez les bornes avec aucun matériau conducteur.
 - (2) Évitez de ranger la batterie dans un contenant où se trouvent d'autres objets métalliques tels que des clous, pièces de monnaie, etc.
 - (3) N'exposez pas la batterie à l'eau ou à la pluie. Un court-circuit de la batterie risque de provoquer un fort courant, une surchauffe, parfois des brûlures et même une panne.
6. Ne rangez pas l'outil ou la batterie dans des endroits où la température risque d'atteindre ou de dépasser 50 °C (122 °F).
7. Ne jetez pas la batterie au feu même si elle est sérieusement endommagée ou complètement épuisée. La batterie peut exploser au contact du feu.
8. Veillez à ne pas laisser tomber ou heurter la batterie.
9. N'utilisez pas de batterie endommagée.
10. Les batteries au lithium-ion contenues sont soumises aux exigences de la législation sur les marchandises dangereuses.

Lors du transport commercial par des tierces parties ou des transitaires par exemple, des exigences spécifiques en matière d'étiquetage et d'emballage doivent être respectées.

Pour la préparation de l'article expédié, il est nécessaire de consulter un expert en matériau dangereux. Veuillez également respecter les réglementations nationales susceptibles d'être plus détaillées.

Recouvrez les contacts exposés avec du ruban adhésif ou du ruban de masquage et emballez la batterie de telle sorte qu'elle ne puisse pas bouger dans l'emballage.
11. Respectez les réglementations locales relatives à la mise au rebut des batteries.
12. Utilisez les batteries uniquement avec les produits spécifiés par Makita. L'installation des batteries sur des produits non conformes peut entraîner un incendie, une chaleur excessive, une explosion ou une fuite d'électrolyte.

CONSERVEZ CES INSTRUCTIONS.

⚠ ATTENTION : N'utilisez que des batteries Makita d'origine.

L'utilisation de batteries de marque autre que Makita ou de batteries modifiées peut provoquer l'explosion des batteries, ce qui présente un risque d'incendie, de dommages matériels et corporels. Cela annulera également la garantie Makita pour l'outil et le chargeur Makita.

Conseils pour assurer la durée de vie optimale de la batterie

1. **Rechargez la batterie avant qu'elle ne soit complètement épuisée.**
Arrêtez toujours l'outil et rechargez la batterie quand vous constatez que la puissance de l'outil diminue.
2. **Ne rechargez jamais une batterie complètement chargée.**
La surcharge réduit la durée de service de la batterie.
3. **Chargez la batterie alors que la température de la pièce se trouve entre 10 °C et 40 °C (50 °F et 104 °F).** Si une batterie est chaude, laissez-la refroidir avant de la charger.
4. **Chargez la batterie si vous ne l'avez pas utilisée pendant une longue période (plus de six mois).**

DESCRIPTION DU FONCTIONNEMENT

⚠ ATTENTION :

- Veillez toujours à ce que l'outil soit éteint et la batterie déposée avant d'effectuer des réglages ou de vérifier le fonctionnement de l'outil.

Installation et retrait de la batterie (Fig. 1)

⚠ ATTENTION :

- Éteignez toujours l'outil avant d'installer ou de déposer la batterie.
- **Tenez fermement l'outil et la batterie lors de l'installation ou du retrait de la batterie.** Si vous ne tenez pas fermement l'outil et la batterie, ils risquent de glisser et de s'abîmer ou de vous blesser.

Pour retirer la batterie, faites glisser le bouton à l'avant de la batterie et sortez la batterie.

Pour installer la batterie, alignez sa languette sur la rainure qui se trouve à l'intérieur du carter, puis glissez la batterie pour la mettre en place. Insérez-la bien à fond, jusqu'à ce qu'elle se verrouille en émettant un léger clic. Si vous pouvez voir le voyant rouge sur la face supérieure du bouton, la batterie n'est pas parfaitement verrouillée.

⚠ ATTENTION :

- Installez toujours la batterie à fond, de sorte que le voyant rouge ne soit plus visible. Sinon, elle risque de tomber accidentellement de l'outil, en vous blessant ou en blessant une personne située près de vous.
- Ne forcez pas pour installer la batterie. Si la batterie ne glisse pas aisément, c'est qu'elle n'est pas insérée correctement.

Système de protection de la batterie (batterie au lithium-ion comportant une étoile) (Fig. 2)

Les batteries au lithium-ion comportant une étoile sont équipées d'un système de protection. Ce système coupe automatiquement l'alimentation en électricité vers l'outil afin de prolonger sa durée de vie.

L'outil s'arrête automatiquement pendant le fonctionnement lorsqu'il et/ou la batterie se trouvent dans l'une des situations suivantes :

- **Surchargé :**
L'outil fonctionne de manière à créer un courant anormalement élevé.
Dans ce cas, relâchez la gâchette située sur l'outil et arrêtez l'application ayant provoqué la surcharge de l'outil. Ensuite, appuyez à nouveau sur la gâchette pour redémarrer l'outil.
Si l'outil ne démarre pas, la batterie est en surchauffe. Dans ce cas, laissez refroidir la batterie avant d'appuyer à nouveau sur la gâchette.
- **Faible tension de la batterie :**
L'autonomie restante est trop basse et l'outil ne fonctionnera pas. Dans ce cas, retirez la batterie et rechargez-la.

Indication de l'autonomie restante de la batterie

Uniquement pour les batteries avec voyant lumineux (Fig. 3)

Appuyez sur le bouton de vérification sur la batterie pour indiquer la charge restante de la batterie. Les témoins s'allument pendant quelques secondes.

Voyants			Autonomie restante
Allumé	Éteint	Clignotant	
■	□	◐	75 % à 100 %
■	■	□	50 % à 75 %
■	■	□	25 % à 50 %
■	□	□	0 % à 25 %
◐	□	□	Recharger la batterie.
■	■	□	Il est possible que la batterie ait mal fonctionné.
□	□	■	

REMARQUE :

- Selon les conditions d'utilisation et la température ambiante, les indications peuvent différer légèrement de l'autonomie réelle restante.

Sélection du mouvement de coupe

(Fig. 4)

Cet outil peut fonctionner avec un mouvement de coupe orbital ou rectiligne (haut et bas). Le mouvement de coupe orbital pousse la lame vers l'avant pendant sa course, augmentant considérablement la vitesse de coupe.

Pour modifier le mouvement de coupe, tournez simplement le levier de sélection du mouvement de coupe sur la position de mouvement de coupe désirée.

Consultez le tableau pour sélectionner le mouvement de coupe approprié.

Position	Mouvement de coupe	Applications
0	Mouvement de coupe rectiligne	Pour couper l'acier doux, l'acier inoxydable et le plastique. Pour des coupes nettes dans le bois et le contreplaqué.
I	Mouvement de coupe à petite orbite	Pour couper l'acier doux, l'aluminium et le bois dur.
II	Mouvement de coupe à moyenne orbite	Pour couper le bois et le contreplaqué. Pour la coupe rapide de l'aluminium et de l'acier doux.
III	Mouvement de coupe à grande orbite	Pour la coupe rapide du bois et du contreplaqué.

006376

Interrupteurs

⚠ ATTENTION :

- Avant d'insérer la batterie dans l'outil, vérifiez toujours que la gâchette fonctionne correctement et revient en position d'arrêt lorsqu'elle est libérée. (Fig. 5)

Pour démarrer l'outil :

Appuyez sur l'interrupteur de sécurité pour mettre l'outil en mode veille. Cette opération allume également la lampe.

Appuyez sur la gâchette pour démarrer l'outil. Pour l'arrêter, relâchez la gâchette.

Pour un fonctionnement continu, appuyez sur la gâchette puis enfoncez le bouton de verrouillage.

Pour arrêter l'outil alors qu'il est en position verrouillée, appuyez à fond sur la gâchette puis relâchez-la.

En mode veille, appuyez sur l'interrupteur de sécurité pour éteindre la lampe et mettre l'outil en mode sécurité.

REMARQUE :

- L'interrupteur de sécurité ne fonctionne pas pendant l'opération de coupe.
- Lorsque l'outil est en mode veille, la lampe reste allumée.
- Si l'outil reste 10 secondes en mode veille sans être utilisé, il passe automatiquement en mode sécurité et la lampe s'éteint.

Allumage des lampes

⚠ ATTENTION :

- Évitez de regarder directement la lampe ou sa source. Pour allumer la lampe, appuyez sur l'interrupteur de sécurité.

Pour éteindre la lampe dans les 10 secondes, appuyez à nouveau sur l'interrupteur de sécurité.

REMARQUE :

- Utilisez un chiffon sec pour essuyer les saletés qui recouvrent la lentille de la lampe. Prenez garde de ne pas rayer la lentille de la lampe, sinon sa capacité d'éclairage sera affectée.
- La lampe clignote lorsque l'outil est soumis à une surchauffe. Refroidissez complètement l'outil avant de le réutiliser.

Molette de réglage de la vitesse (Fig. 6)

La vitesse de l'outil peut être réglée à l'infini en tournant la molette de réglage de la vitesse. Vous pouvez obtenir la vitesse la plus élevée sur 6, et la plus faible sur 1.

Consultez le tableau ci-dessous pour sélectionner la vitesse adéquate en fonction de la pièce à couper. La vitesse appropriée peut cependant différer avec le type ou l'épaisseur de la pièce. En général, une vitesse plus élevée permettra de couper les pièces plus rapidement mais la durée de service de la lame en sera réduite.

Pièce à couper	Numéro sur la molette de réglage de la vitesse
Bois	4 - 6
Acier doux	3 - 6
Acier inoxydable	3 - 4
Aluminium	3 - 6
Plastiques	1 - 4

013925

⚠ ATTENTION :

- Vous ne pouvez tourner la molette de réglage de la vitesse que jusqu'aux positions 6 et 1. Ne la forcez pas au-delà des positions 6 ou 1, au risque de provoquer un dysfonctionnement du réglage de la vitesse.

REMARQUE :

- Lorsque la molette de réglage de la vitesse est sur 3 ou plus, l'outil réduit automatiquement la vitesse à vide afin de limiter les vibrations. Dès que l'outil recommence à travailler, il retrouve la vitesse réglée. Ensuite, l'outil maintient la vitesse jusqu'à ce qu'il soit éteint. Lorsque la température est basse et que la graisse est moins fluide, l'outil peut ne pas disposer de cette fonction même si le moteur tourne.

MONTAGE

⚠ ATTENTION :

- Assurez-vous toujours que l'outil est hors tension et la batterie retirée avant d'effectuer toute intervention sur l'outil.

Installation et retrait de la lame

ATTENTION :

- Nettoyez toujours la lame et/ou le porte-lame de tous les copeaux ou corps étrangers qui y adhèrent. La négligence de ce nettoyage peut causer un serrage insuffisant de la lame, entraînant des blessures graves.
- Ne touchez ni la lame ni la pièce immédiatement après la coupe ; elles risquent d'être extrêmement chaudes et de vous brûler la peau.
- Serrez fermement la lame. Autrement il y a risque de grave blessure.
- Lors du retrait de la lame, prenez garde de ne pas vous blesser aux doigts avec le dessus de la lame ou les bouts de la pièce. (Fig. 7)

Avant d'installer la lame, vérifiez que le porte-lame est en position ouverte.

Pour installer la lame, insérez-la (dents vers l'avant) dans le porte-lame jusqu'à ce qu'elle s'enclenche. Le porte-lame passe de lui-même en position fermée et la lame est verrouillée. Appuyez légèrement sur la lame pour vous assurer qu'elle ne tombe pas pendant son utilisation.

ATTENTION :

- N'écartez pas excessivement le système d'ouverture de l'outil, ou cela risque de l'endommager. (Fig. 8)
- Pour retirer la lame, poussez le système d'ouverture de l'outil le plus possible vers l'avant. Cela permet de libérer la lame.

REMARQUE :

- Lubrifiez le rouleau de temps à autre.

Rangement de la clé hexagonale (Fig. 9)

Lorsque vous n'utilisez pas la clé hexagonale, rangez-la comme illustré sur la figure pour éviter de la perdre.

Plaque de recouvrement (Fig. 10)

Utilisez la plaque de recouvrement pour la coupe des placages décoratifs, du plastique, etc. Cette plaque protège contre les dommages les surfaces fragiles ou délicates. Installez-la par l'arrière de la base de l'outil.

Dispositif anti-fente (Fig. 11)

Vous pouvez utiliser le dispositif anti-fente pour obtenir des coupes sans fente. Pour l'installer, déplacez la base de l'outil complètement vers l'avant, puis installez le dispositif par l'arrière de la base de l'outil. Lorsque vous utilisez la plaque de recouvrement, installez le dispositif anti-fente sur cette dernière.

ATTENTION :

- L'utilisation du dispositif anti-fente n'est pas possible lors des coupes en biseau.

Aspiration de la poussière

Le raccord à poussière (accessoire en option) est recommandé pour l'exécution d'opérations de coupe propres. (Fig. 12)

Pour fixer le raccord à poussière sur l'outil, insérez le crochet du raccord à poussière dans l'orifice de la base. (Fig. 13)

Pour fixer le raccord à poussière, serrez la vis de serrage à l'avant du raccord à poussière.

Le raccord à poussière peut être installé du côté droit ou gauche de la base. (Fig. 14)

Raccordez ensuite un aspirateur Makita au raccord à poussière.

FONCTIONNEMENT

ATTENTION :

- Maintenez toujours la base parfaitement en contact avec la pièce. Sinon, la lame risque de se briser et de causer une grave blessure.

REMARQUE :

- Si l'outil est utilisé de manière continue jusqu'à ce que la batterie soit déchargée, laissez-le reposer 15 minutes avant de poursuivre l'opération avec une batterie chargée. (Fig. 15)

Mettez l'outil sous tension sans que la lame n'entre en contact avec une surface, et attendez qu'elle ait atteint sa pleine vitesse. Posez ensuite la base à plat sur la pièce et faites avancer l'outil doucement le long de la ligne de coupe préalablement tracée.

Faites avancer l'outil très lentement lors de la coupe de courbes.

Coupe en biseau (Fig. 16)

ATTENTION :

- Assurez-vous toujours que l'outil est hors tension et que la batterie est retirée avant d'incliner la base. Avec la base inclinée, vous pouvez faire des coupes en biseau de n'importe quel angle, entre 0° et 45° (gauche ou droite). (Fig. 17)

Pour incliner la base, desserrez le boulon à l'arrière de la base à l'aide de la clé hexagonale. Déplacez la base de sorte que le boulon se trouve au centre de la fente en biseau sur la base. (Fig. 18)

Inclinez la base jusqu'à l'angle de coupe en biseau désiré. L'encoche en V du carter d'engrenages indique l'angle de biseau au moyen de graduations. Serrez ensuite le boulon fermement pour fixer la base.

Coupes à ras vers l'avant (Fig. 19)

Utilisez la clé hexagonale pour desserrer le boulon à l'arrière de la base, et faites glisser la base complètement vers l'arrière. Serrez ensuite le boulon pour fixer la base.

Découpage

Le découpage peut s'effectuer par la méthode A ou B.

A) Perçage d'un trou de départ : (Fig. 20)

- Pour les échancrures internes sans coupe inclinée à partir d'un bord, réalisez un trou de départ de 12 mm ou plus de diamètre. Insérez la lame dans ce trou pour commencer la coupe.

B) Coupe en plongée : (Fig. 21)

- Si vous procédez soigneusement de la façon qui suit, il n'est pas nécessaire de percer un trou de départ ou d'effectuer une coupe d'introduction.
 1. Inclinez l'outil vers le bord avant de la base, le bout de la lame se trouvant juste au-dessus de la surface de la pièce.
 2. Appliquez une pression sur l'outil, de sorte que le bord avant de la base ne bouge pas lorsque vous mettez

l'outil en marche, puis abaissez doucement l'arrière de l'outil.

- À mesure que la lame pénètre dans la pièce, abaissez lentement la base de l'outil sur la surface de la pièce.
- Complétez ensuite la coupe de façon normale.

Finition des bords (Fig. 22)

Pour égaliser les bords ou pour ajuster les dimensions, faites passer la lame légèrement le long des bords coupés.

Coupe du métal

Utilisez toujours un fluide de refroidissement (huile de coupe) adéquat lors de la coupe du métal. Autrement, cela usera considérablement la lame. Au lieu d'utiliser un fluide de refroidissement pour la face inférieure de la pièce, vous pouvez la recouvrir de graisse.

Ensemble de garde parallèle (accessoire en option)

⚠ ATTENTION :

- Assurez-vous toujours que l'outil est hors tension et que la batterie est retirée avant d'installer ou de retirer des accessoires.

1. Coupes rectilignes (Fig. 23)

Lorsque vous sciez de façon répétée à des largeurs de 160 mm ou moins, l'utilisation du garde parallèle vous permet d'obtenir des coupes rapides, nettes et rectilignes. (Fig. 24)

Pour installer le garde parallèle, insérez-le dans l'orifice rectangulaire sur le côté de la base de l'outil, en orientant le guide de garde vers le bas. Faites glisser le garde parallèle sur la position correspondant à la largeur de coupe désirée, puis serrez le boulon pour le fixer.

2. Coupes circulaires (Fig. 25 et 26)

Pour effectuer des coupes en forme de cercle ou d'arc avec un rayon de 170 mm ou moins, installez le garde parallèle de la façon suivante.

- Installez le garde parallèle dans l'orifice rectangulaire sur le côté de la base, en orientant le guide de garde vers le haut. Insérez la broche du guide circulaire dans l'un ou l'autre des deux orifices du guide de garde. Vissez le bouton fileté sur la broche pour la fixer.
- Faites ensuite glisser le garde parallèle sur la position correspondant au rayon de coupe désiré, puis serrez le boulon pour le fixer. Déplacez ensuite la base complètement vers l'avant.

REMARQUE :

- Utilisez toujours des lames N° B-17, B-18, B-26 ou B-27 pour découper des cercles ou des arcs de cercle.

Ensemble d'adaptateur pour rail de guidage (accessoire en option) (Fig. 27)

Lorsque vous effectuez des coupes parallèles et de largeur uniforme ou des coupes rectilignes, utilisez le rail de guidage et l'adaptateur pour rail de guidage afin d'assurer une coupe rapide et nette.

Pour installer l'adaptateur de rail de guidage, insérez aussi loin que possible la tige graduée dans l'orifice carré

de la base. Fixez fermement le boulon à l'aide de la clé hexagonale. (Fig. 28)

Installez l'adaptateur de rail de guidage sur le rail du rail de guidage. Insérez la tige graduée dans l'orifice carré de l'adaptateur de rail de guidage. Placez la base sur le côté du rail de guidage, puis serrez fermement le boulon.

(Fig. 29)

⚠ ATTENTION :

- Utilisez toujours des lames N° B-8, B-13, B-16, B-17 ou 58 lorsque vous utilisez le rail de guidage et l'adaptateur de rail de guidage.

ENTRETIEN

⚠ ATTENTION :

- Assurez-vous toujours que l'outil est hors tension et que la batterie est retirée avant d'y effectuer tout travail d'inspection ou d'entretien.
- N'utilisez jamais d'essence, de benzine, de diluant, d'alcool ou de produit similaire. Ces produits risquent de provoquer des décolorations, des déformations ou des fissures.

Pour garantir la SÉCURITÉ et la FIABILITÉ du produit, les réparations ainsi que tout autre travail d'entretien ou de réglage doivent être effectués dans un centre d'entretien Makita agréé, exclusivement avec des pièces de rechange Makita.

ACCESSOIRES FOURNIS EN OPTION

⚠ ATTENTION :

- Ces accessoires ou pièces complémentaires sont recommandés pour être utilisés avec l'outil Makita spécifié dans ce mode d'emploi. L'utilisation de tout autre accessoire ou pièce complémentaire peut comporter un risque de blessure. N'utilisez les accessoires ou pièces qu'aux fins auxquelles ils ont été conçus.

Pour obtenir plus de détails sur ces accessoires, contactez votre Centre de service local Makita.

- Lames de scie sauteuse
- Clé hexagonale 4
- Ensemble de garde parallèle (règle de guidage)
- Ensemble d'adaptateur pour rail de guidage
- Ensemble de rail de guidage
- Dispositif anti-fente
- Plaque de recouvrement
- Ensemble de raccord à poussières
- Batterie et chargeur Makita d'origine

REMARQUE :

- Certains éléments de la liste peuvent être inclus en tant qu'accessoires standard dans le coffret de l'outil envoyé. Ils peuvent varier suivant les pays.

Bruit

ENG905-1

Les niveaux de bruit pondéré A typiques ont été mesurés selon la norme EN62841-2-11 :

Modèle DJV142

Niveau de pression sonore (L_{pA}) : 78 dB (A)
Incertitude (K) : 3 dB (A)

Le niveau de bruit peut dépasser 80 dB (A) lors de l'utilisation.

Modèle DJV182

Niveau de pression sonore (L_{pA}) : 77 dB (A)
Incertitude (K) : 3 dB (A)

Le niveau de bruit peut dépasser 80 dB (A) lors de l'utilisation.

ENG907-1

- La ou les valeurs d'émission de bruit déclarées ont été mesurées conformément à la méthode de test standard et peuvent être utilisées pour comparer les outils entre eux.
- La ou les valeurs d'émission de bruit déclarées peuvent aussi être utilisées pour l'évaluation préliminaire de l'exposition.

AVERTISSEMENT :

- **Portez un serre-tête antibruit.**
- **L'émission de bruit lors de l'usage réel de l'outil électrique peut être différente de la ou des valeurs déclarées, suivant la façon dont l'outil est utilisé, particulièrement selon le type de pièce usinée.**
- **Les mesures de sécurité à prendre pour protéger l'utilisateur doivent être basées sur une estimation de l'exposition dans des conditions réelles d'utilisation (en tenant compte de toutes les composantes du cycle d'utilisation, comme par exemple le moment de sa mise hors tension, lorsqu'il tourne à vide et le moment de son déclenchement).**

Vibrations

ENG900-1

La valeur totale de vibration (somme du vecteur triaxial) a été déterminée selon la norme EN62841-2-11 :

Modèle DJV142

Mode de fonctionnement : découpe de planches

Émission de vibrations ($a_{h,B}$) : 7,0 m/s²

Incertitude (K) : 1,5 m/s²

Mode de fonctionnement : découpe de tôle

Émission de vibrations ($a_{h,M}$) : 4,0 m/s²

Incertitude (K) : 1,5 m/s²

Modèle DJV182

Mode de fonctionnement : découpe de planches

Émission de vibrations ($a_{h,B}$) : 7,0 m/s²

Incertitude (K) : 1,5 m/s²

Mode de fonctionnement : découpe de tôle

Émission de vibrations ($a_{h,M}$) : 3,5 m/s²

Incertitude (K) : 1,5 m/s²

ENG901-2

- La ou les valeurs de vibration totales déclarées ont été mesurées conformément à la méthode de test standard et peuvent être utilisées pour comparer les outils entre eux.

- La ou les valeurs de vibration totales déclarées peuvent aussi être utilisées pour l'évaluation préliminaire de l'exposition.

AVERTISSEMENT :

- **L'émission de vibrations lors de l'usage réel de l'outil électrique peut être différente de la ou des valeurs déclarées, suivant la façon dont l'outil est utilisé, particulièrement selon le type de pièce usinée.**
- **Les mesures de sécurité à prendre pour protéger l'utilisateur doivent être basées sur une estimation de l'exposition dans des conditions réelles d'utilisation (en tenant compte de toutes les composantes du cycle d'utilisation, comme par exemple le moment de sa mise hors tension, lorsqu'il tourne à vide et le moment de son déclenchement).**

Déclaration de conformité CE

Pour l'Europe uniquement

La Déclaration de conformité CE figure en Annexe A du présent mode d'emploi.

DEUTSCH (Originalanweisungen)

Erklärung der Gesamtdarstellung

- | | | |
|---|------------------------------|-----------------------------|
| 1. Roter Bereich | 13. Freigabeposition | 26. V-Kerbe |
| 2. Taste | 14. Stichsägeblatt | 27. Getriebegehäuse |
| 3. Akkublock | 15. Gleitschuh | 28. Anfangsloch |
| 4. Sternmarkierung | 16. Inbusschlüssel | 29. Parallelanschlag |
| 5. Anzeigenlampen | 17. Abdeckungsplatte | 30. Gehrungsanschlag |
| 6. Akkuprüftaste | 18. Splitterschutz | 31. Gewindeknopf |
| 7. Hebel zum Wechseln der Sägebetriebsart | 19. Absaugstutzen | 32. Kreisführungsstift |
| 8. Arretierschalter | 20. Klemmschraube | 33. Messleiste |
| 9. Ein/Aus-Schalter | 21. Schlauch für Absauggerät | 34. Führungsschienenadapter |
| 10. Arretiertaste | 22. Schnittlinie | 35. Schraube |
| 11. Geschwindigkeits-Stellrad | 23. Schraube | 36. Führungsschiene |
| 12. Verriegelte Position | 24. Gehrungsschlitz | |
| | 25. Einteilungen | |

SPEZIFIKATIONEN

Modell	DJV142	DJV182
Hubhöhe	26 mm	26 mm
Max. Schneidleistungen	Holz	135 mm
	Weichstahl	10 mm
	Aluminium	20 mm
Stiche pro Minute (min ⁻¹)	800 - 3.500	800 - 3.500
Gesamtlänge	264 mm	266 mm
Nettogewicht	2,3 - 2,6 kg	2,4 - 2,7 kg
Nennspannung	14,4 V Gleichspannung	18 V Gleichspannung

- Aufgrund unserer beständigen Forschungen und Weiterentwicklungen sind Änderungen an den hier angegebenen Technischen Daten ohne Vorankündigung vorbehalten.
- Die Technischen Daten können in den einzelnen Ländern voneinander abweichen.
- Das Gewicht kann sich je nach Umfang und Art der vorhandenen Zubehörteile inkl. Akkublock ändern. Das Gewicht der leichtest- und schwerstmöglichen Kombination, das im Einklang mit dem EPTA-Verfahren 01/2014 ermittelt wurde, ist in der Tabelle aufgeführt.

Zu verwendender Akkublock mit Ladegerät

Akkublock	14,4 V Gleichspannung Modell	BL1415N/BL1430/BL1430B/BL1440/BL1450/BL1460B
	18 V Gleichspannung Modell	BL1815N/BL1820/BL1820B/BL1830/BL1830B/BL1840/BL1840B/BL1850/BL1850B/BL1860B
Ladegerät		DC18RC/DC18RD/DC18RE/DC18SD/DC18SE/DC18SF

- In Abhängigkeit der Region, in der Sie ansässig sind, kann es vorkommen, dass einige von den oben aufgeführten Akkublocken und Ladegeräten nicht verfügbar sind.

WARNUNG:

- **Verwenden Sie ausschließlich die oben angegebenen Akkublocke und Ladegeräte.** Bei Verwendung anderer Akkublocke und Ladegeräte besteht Verletzungs- und Brandgefahr.

Verwendungszweck

ENE019-1
Das Werkzeug wurde für das Sägen von Holz, Kunststoff und Metallmaterial entwickelt. Als Ergebnis des umfangreichen Zubehö- und Sägeblattprogramms ist das Werkzeug vielseitig verwendbar und gut geeignet für kurvige und kreisförmige Schnitte.

Allgemeine Sicherheitswarnungen für Elektrowerkzeuge

GEA010-2

- **WARNUNG: Lesen Sie alle mit diesem Elektrowerkzeug gelieferten Sicherheitswarnungen, Anweisungen, Abbildungen und technischen Daten durch.** Eine Missachtung der unten aufgeführten Anweisungen kann zu einem elektrischen Schlag, Brand und/oder schweren Verletzungen führen.

Bewahren Sie alle Warnungen und Anweisungen für spätere Bezugnahme auf.

Der Ausdruck „Elektrowerkzeug“ in den Warnhinweisen bezieht sich auf Ihr mit Netzstrom (mit Kabel) oder Akku (ohne Kabel) betriebenes Elektrowerkzeug.

Sicherheitswarnungen für Akku-Stichsäge

GERB187-1

1. Halten Sie das Elektrowerkzeug an den isolierten Griffflächen, wenn Sie Arbeiten ausführen, bei denen die Gefahr besteht, dass das Schneidwerkzeug verborgene Kabel kontaktiert. Bei Kontakt mit einem Strom führenden Kabel können die freiliegenden Metallteile des Elektrowerkzeugs ebenfalls Strom führend werden, so dass der Benutzer einen elektrischen Schlag erleiden kann.
2. Verwenden Sie Klemmen oder eine andere praktische Methode, um das Werkstück auf einer stabilen Unterlage zu sichern und abzustützen. Wenn Sie das Werkstück nur von Hand oder gegen Ihren Körper halten, befindet es sich in einer instabilen Lage, die zum Verlust der Kontrolle führen kann.
3. Tragen Sie stets eine Sicherheits- oder Schutzbrille. Eine gewöhnliche Brille oder Sonnenbrille ist KEIN Ersatz für eine Sicherheitsbrille.
4. Vermeiden Sie das Schneiden von Nägeln. Untersuchen Sie das Werkstück auf Nägel, und entfernen Sie diese vor der Bearbeitung.
5. Schneiden Sie keine übergroßen Werkstücke.
6. Vergewissern Sie sich vor dem Schneiden, dass genügend Platz hinter dem Werkstück vorhanden ist, damit das Sägeblatt nicht auf den Boden, die Werkbank usw. trifft.
7. Halten Sie das Werkzeug mit festem Griff.
8. Vergewissern Sie sich vor dem Einschalten des Werkzeugs, dass das Sägeblatt nicht das Werkstück berührt.
9. Halten Sie die Hände von beweglichen Teilen fern.
10. Lassen Sie das Werkzeug nicht unbeaufsichtigt laufen. Benutzen Sie das Werkzeug nur im handgeführten Einsatz.
11. Schalten Sie das Werkzeug stets aus, und warten Sie, bis das Sägeblatt zum vollständigen Stillstand kommt, bevor Sie das Sägeblatt aus dem Werkstück entfernen.
12. Vermeiden Sie eine Berührung des Sägeblatts oder des Werkstücks unmittelbar nach der Bearbeitung, weil sie dann möglicherweise noch sehr heiß sind und Hautverbrennungen verursachen können.
13. Lassen Sie das Werkzeug nicht unnötig im Leerlauf laufen.
14. Manche Materialien können giftige Chemikalien enthalten. Treffen Sie Vorsichtsmaßnahmen, um das Einatmen von Arbeitsstaub und Hautkontakt zu verhüten. Befolgen Sie die Sicherheitsdaten des Materiallieferanten.

15. Verwenden Sie stets die korrekte Staubschutz-/ Atemmaske für das jeweilige Material und die Anwendung.

DIESE ANWEISUNGEN AUFBEWAHREN.

WARNUNG:

Lassen Sie sich NICHT durch Bequemlichkeit oder Vertrautheit mit dem Produkt (durch wiederholten Gebrauch erworben) von der strikten Einhaltung der Sicherheitsregeln für das vorliegende Produkt abhalten. MISSBRAUCH oder Missachtung der Sicherheitsvorschriften in dieser Anleitung können schwere Personenschäden verursachen.

WICHTIGE SICHERHEITSANWEISUNGEN FÜR AKKU

ENC007-12

1. Lesen Sie vor der Verwendung des Akkublocks alle Anweisungen und Sicherheitshinweise für das Akkuladegerät (1), den Akku (2) und das Produkt (3), für das der Akku verwendet wird, sorgfältig durch.
2. Der Akkublock darf nicht zerlegt werden.
3. Falls die Betriebsdauer erheblich kürzer wird, beenden Sie den Betrieb umgehend. Andernfalls besteht die Gefahr einer Überhitzung sowie das Risiko möglicher Verbrennungen und sogar einer Explosion.
4. Wenn Elektrolyt in Ihre Augen gerät, waschen Sie diese mit klarem Wasser aus und suchen Sie sofort einen Arzt auf. Andernfalls können Sie Ihre Sehfähigkeit verlieren.
5. Vermeiden Sie einen Kurzschluss des Akkublocks:
 - (1) Die Kontakte dürfen nicht mit leitendem Material in Berührung kommen.
 - (2) Der Akkublock darf nicht in einem Behälter aufbewahrt werden, in dem sich andere metallische Gegenstände wie beispielsweise Nägel, Münzen usw. befinden.
 - (3) Der Akkublock darf weder Feuchtigkeit noch Regen ausgesetzt werden.Ein Kurzschluss des Akkus kann zu hohem Kriechstrom, Überhitzung, möglichen Verbrennungen und sogar zu einer Zerstörung des Werkzeugs führen.
6. Werkzeug und Akkublock dürfen nicht an Orten aufbewahrt werden, an denen Temperaturen von 50°C oder darüber erreicht werden können.
7. Beschädigte oder verbrauchte Akkus dürfen nicht verbrannt werden. Der Akkublock kann in den Flammen explodieren.
8. Lassen Sie den Akku nicht fallen und vermeiden Sie Schläge gegen den Akku.
9. Verwenden Sie niemals einen beschädigten Akku.
10. Die enthaltenen Lithium-Ionen-Akkus unterliegen den Anforderungen der Gefahrgut-Gesetzgebung.
Für kommerzielle Transporte, z. B. durch Dritte oder Spediteure, müssen besondere Anforderungen zu

Verpackung und Etikettierung beachtet werden. Zur Vorbereitung des zu transportierenden Artikels ist eine Beratung durch einen Experten für Gefahrgut erforderlich. Bitte beachten Sie möglicherweise ausführlichere nationale Vorschriften.

Überkleben oder verdecken Sie offene Kontakte, und verpacken Sie den Akku so, dass er sich in der Verpackung nicht umher bewegen kann.

11. **Befolgen Sie die in Ihrem Land geltenden Bestimmungen bzgl. der Entsorgung von Akkus.**
12. **Verwenden Sie die Akkus nur mit den von Makita genannten Produkten.** Der Einsatz der Akkus in nicht kompatiblen Produkten kann Brände, extreme Wärmeentwicklung, Explosionen oder einen Austritt von Elektrolyt verursachen.

BEWAHREN SIE DIESE ANLEITUNG SORGFÄLTIG AUF.

⚠ VORSICHT: Verwenden Sie nur **Original-Makita-Akkus**.

Die Verwendung von Nicht-Original-Makita-Akkus oder von Akkus, die abgeändert worden sind, kann zum Bersten des Akkus und daraus resultierenden Bränden, Personenschäden und Beschädigung führen. Außerdem wird dadurch die Makita-Garantie für das Makita-Werkzeug und -Ladegerät ungültig.

Tipps für eine maximale Nutzungsdauer von Akkus

1. **Laden Sie den Akkublock auf, bevor der Akku vollständig entladen ist.**
Sobald Sie eine verringerte Leistung des Werkzeugs bemerken, beenden Sie stets den Betrieb des Werkzeugs und laden Sie den Akkublock auf.
2. **Ein voll aufgeladener Akkublock darf niemals erneut geladen werden.**
Durch Überladungen wird die Lebensdauer des Akkus verkürzt.
3. **Laden Sie den Akkublock bei einer Zimmertemperatur von 10°C bis 40°C auf. Lassen Sie einen heißen Akkublock vor dem Aufladen abkühlen.**
4. **Laden Sie den Akkublock auf, wenn Sie diesen für längere Zeit nicht verwenden (mehr als sechs Monate).**

FUNKTIONSBESCHREIBUNG

⚠ ACHTUNG:

- Schalten Sie das Werkzeug stets aus und nehmen Sie den Akkublock vom Werkzeug ab, bevor Sie Einstellungen oder Funktionsprüfungen am Werkzeug vornehmen.

Einsetzen und Abnehmen des Akkublocks (Abb. 1)

⚠ ACHTUNG:

- Schalten Sie das Werkzeug stets aus, bevor Sie den Akkublock einsetzen oder abnehmen.
- **Halten Sie das Werkzeug und den Akkublock sicher fest, wenn Sie den Akkublock einsetzen**

oder herausnehmen. Andernfalls könnte Ihnen das Werkzeug oder der Akkublock aus den Händen fallen, sodass das Werkzeug oder der Akkublock beschädigt werden oder diese Verletzungen verursachen.

Zum Abnehmen des Akkublocks müssen Sie die Taste auf der Vorderseite des Akkublocks schieben und gleichzeitig den Akkublock aus dem Gerät herausziehen. Zum Einsetzen des Akkublocks müssen Sie die Zunge des Akkublocks an der Rille im Gehäuse ausrichten und in die gewünschte Position schieben. Setzen Sie den Akkublock ganz ein, bis er mit einem leisen Klick einrastet. Wenn Sie den roten Bereich oben auf der Taste sehen können, ist der Akkublock nicht ganz eingerastet.

⚠ ACHTUNG:

- Setzen Sie den Akkublock unbedingt ganz ein, bis der rote Bereich nicht mehr zu sehen ist. Andernfalls kann der Akkublock versehentlich aus dem Werkzeug fallen und Sie oder umstehende Personen verletzen.
- Wenden Sie beim Einsetzen des Akkublocks keine Gewalt an. Wenn der Akkublock nicht leicht hineingleitet, ist er nicht richtig angesetzt.

Akku-Schutzsystem (Lithium-Ionen-Akku mit Sternmarkierung) (Abb. 2)

Lithium-Ionen-Akkus mit Sternmarkierung verfügen über ein Schutzsystem. Dieses System schaltet die Stromversorgung des Werkzeugs automatisch aus, um die Lebensdauer des Akkus zu verlängern.

























Unter folgenden Bedingungen des Werkzeugs und/oder des Akkus kann das Werkzeug während des Betriebs automatisch stoppen:

- **Überlastet:**
Das Werkzeug wird auf eine Weise betrieben, die zu einer abnormal hohen Stromaufnahme führt. Lassen Sie in dieser Situation den Ein/Aus-Schalter des Werkzeugs los und beenden Sie die Arbeiten, die zu der Überlastung des Werkzeugs geführt haben. Betätigen Sie anschließend den Ein/Aus-Schalter wieder, um das Werkzeug wieder in Betrieb zu nehmen.
Wenn das Werkzeug nicht startet, ist der Akku überhitzt. Lassen Sie in dieser Situation den Akku erst abkühlen, bevor Sie wieder den Ein/Aus-Schalter betätigen.
- **Spannung des Akkus zu niedrig:**
Die noch vorhandene Akkuladung ist zu niedrig und das Werkzeug startet nicht. Nehmen Sie in dieser Situation den Akku ab und laden Sie den Akku wieder auf.

Anzeigen der Restladung des Akkus

Nur für Akkus mit Anzeige (Abb. 3)

Drücken Sie die Prüftaste am Akku, um die Akku-Restkapazität anzuzeigen. Die Anzeigelampen leuchten wenige Sekunden lang auf.

Anzeigelampen			Verbleibende Akkuladung
			
			75% bis 100%
			50% bis 75%
			25% bis 50%
			0% bis 25%
			Laden Sie den Akku auf.
			Möglicherweise liegt ein Defekt des Akkus vor.
			

HINWEIS:

- In Abhängigkeit von den Bedingungen bei Gebrauch und von der Umgebungstemperatur kann der angezeigte Ladezustand geringfügig vom tatsächlichen Ladezustand abweichen.

Wahl der Sägebetriebsart (Abb. 4)

Dieses Werkzeug kann mit und ohne Pendelhub (nur Auf- und Abbewegung) betrieben werden. In der Betriebsart mit Pendelhub wird das Sägeblatt während der Sägebewegung nach vorne beschleunigt und die Sägegeschwindigkeit wird bedeutend erhöht. Zum Ändern der Sägebetriebsart drehen Sie einfach den Hebel zum Wechseln der Sägebetriebsart in die gewünschte Position. Siehe die Tabelle zur Auswahl der richtigen Sägebetriebsart.

Position	Sägebetriebsart	Anwendungen
0	Schnittbetriebsart kein Pendelhub	Für Schnitte in Schmiedestahl, Edelstahl und Plastik. Für saubere Schnitte in Holz und Sperrholz.
I	Schnittbetriebsart kleiner Pendelhub	Für Schnitte in Aluminium, Schmiedestahl und Hartholz.
II	Schnittbetriebsart mittlerer Pendelhub	Für Schnitte in Holz und Sperrholz. Für schnelle Schnitte in Aluminium und Schmiedestahl.
III	Schnittbetriebsart großer Pendelhub	Für schnelle Schnitte in Holz und Sperrholz.

006376

Bedienen des Schalters

⚠ ACHTUNG:

- Achten Sie vor dem Einsetzen des Akkublocks in das Werkzeug darauf, dass sich der Ein/Aus-Schalter korrekt bedienen lässt und beim Loslassen in die Position „OFF“ (AUS) zurückkehrt. (Abb. 5)

Zum Starten des Werkzeugs:

Drücken Sie den Arretierschalter, um das Werkzeug in den Standby-Modus zu bringen. Dadurch wird auch die Lampe eingeschaltet.

Betätigen Sie zum Starten des Werkzeugs den Ein/Aus-Schalter. Lassen Sie zum Ausschalten des Werkzeugs den Ein/Aus-Schalter los.

Betätigen Sie für einen Dauerbetrieb den Ein/Aus-Schalter und drücken Sie dann die Arretiertaste hinein. Zur Aufhebung der Arretierung müssen Sie den Ein/Aus-Schalter bis zum Anschlag betätigen und anschließend loslassen.

Drücken Sie im Standby-Modus den Arretierschalter, um die Lampe auszuschalten und das Werkzeug in den Arretiermodus zu bringen.

HINWEIS:

- Der Arretierschalter lässt sich während des Schneidbetriebs nicht betätigen.
- Wenn sich das Werkzeug im Standby-Modus befindet, leuchtet die Lampe weiter.
- Wird das Werkzeug für 10 Sekunden im Standby-Modus belassen, ohne dass damit gearbeitet wird, schaltet sich das Werkzeug automatisch in den Arretiermodus und die Lampe erlischt.

Einschalten der Lampen

⚠ ACHTUNG:

- Schauen Sie nicht direkt in die Lampe oder in die Lichtquelle.

Betätigen Sie zum Einschalten der Lampe den Arretierschalter.

Drücken Sie den Arretierschalter erneut, um die Lampe innerhalb von 10 Sekunden auszuschalten.

HINWEIS:

- Wischen Sie Schmutz auf der Lampenlinse mit einem trockenen Tuch ab. Achten Sie darauf, dass die Linse der Lampe nicht zerkratzt wird, da dies die Leuchtstärke mindern kann.
- Wird das Werkzeug überhitzt, flackert die Lampe. Lassen Sie das Werkzeug vor dem weiteren Betrieb ganz abkühlen.

Geschwindigkeits-Stellrad (Abb. 6)

Die Werkzeuggeschwindigkeit kann durch Drehen des Geschwindigkeits-Stellrads stufenlos eingestellt werden. Einstellung 6 liefert die höchste Geschwindigkeit, 1 die niedrigste.

Wählen Sie anhand der Tabelle die geeignete Geschwindigkeit für das zu schneidende Werkstück. Die entsprechende Geschwindigkeit kann von der Art und der Dicke des Werkstücks abhängen. Allgemein gilt, dass Sie bei höheren Geschwindigkeiten die Werkstücke schneller schneiden können, allerdings bei geringerer Lebenszeit des Sägeblattes.

Zu schneidendes Werkstück	Zahl am Stellrad
Holz	4 - 6
Weichstahl	3 - 6
Edelstahl	3 - 4
Aluminium	3 - 6
Plastik	1 - 4

013925

⚠️ ACHTUNG:

- Das Geschwindigkeits-Stellrad kann nur bis zur 6 und wieder zurück zur 1 gedreht werden. Drehen Sie es nicht mit Gewalt über die Position 6 oder 1 hinaus, da sonst die Geschwindigkeitseinstellung womöglich nicht mehr richtig funktioniert.

HINWEIS:

- Wenn das Geschwindigkeits-Stellrad auf 3 oder höher eingestellt ist, reduziert das Werkzeug automatisch die Leerlaufgeschwindigkeit, um die Vibration im Leerlauf zu reduzieren. Sobald das Werkzeug unter Last arbeitet, erreicht es seine voreingestellte Geschwindigkeit. Das Werkzeug behält dann diese Geschwindigkeit bei, bis es ausgeschaltet wird. Bei niedrigen Temperaturen ist weniger Feuchtigkeit im Schmierfett und das Werkzeug erreicht auch bei Betrieb des Motors seine Funktion nicht.

MONTAGE

⚠️ ACHTUNG:

- Schalten Sie das Werkzeug stets aus und entfernen Sie den Akkublock, bevor Sie Arbeiten am Werkzeug ausführen.

Montage und Demontage des Sägeblatts

⚠️ ACHTUNG:

- Entfernen Sie stets alle Splitter und sonstiges Fremdmaterial vom Sägeblatt und dem Blatthalter. Tun Sie dies nicht, kann sich das Sägeblatt lösen, was zu schweren Personenschäden führen kann.
- Berühren Sie kurz nach dem Betrieb weder das Sägeblatt noch das Werkstück. Diese können extrem heiß sein und zu Verbrennungen führen.
- Ziehen Sie das Sägeblatt fest an. Zuwiderhandlungen können zu schweren Personenschäden führen.
- Achten Sie beim Entnehmen des Sägeblatts darauf, Ihre Finger nicht an der Blattspitze oder den Kanten des Werkstücks zu verletzen. **(Abb. 7)**

Stellen Sie vor dem Einbauen des Sägeblattes sicher, dass der Sägeblatthalter sich in der Freigabeposition befindet.

Zum Einbauen des Blattes setzen Sie das Blatt (mit den Zähnen nach vorn zeigend) in den Blatthalter ein, bis es einschnappt. Der Sägeblatthalter bewegt sich von selbst in die verriegelte Position und das Sägeblatt ist verriegelt. Ziehen Sie leicht am Blatt, um zu prüfen, dass das Blatt während des Betriebs nicht herausfällt.

⚠️ ACHTUNG:

- Öffnen Sie den Werkzeugöffner nicht zu weit, da dies das Werkzeug beschädigen kann. **(Abb. 8)**

Zum Entnehmen des Sägeblatts drücken Sie den Hebel so weit wie möglich nach vorn. Dadurch wird das Sägeblatt freigegeben.

HINWEIS:

- Schmieren Sie die Rolle gelegentlich.

Aufbewahren des Inbusschlüssels

(Abb. 9)

Wenn Sie den Inbusschlüssel nicht verwenden, bewahren Sie ihn wie in der Abbildung dargestellt auf, damit er nicht verloren geht.

Abdeckungsplatte (Abb. 10)

Verwenden Sie die Abdeckungsplatte beim Schneiden dekorativer Furniere, Plastik usw. Sie schützt empfindliche Oberflächen vor Beschädigungen. Bringen Sie sie auf der Rückseite des Werkzeuggleitschuhs an.

Splitterschutz (Abb. 11)

Für splitterfreie Schnitte kann der Splitterschutz verwendet werden. Zur Montage des Splitterschutzes schieben Sie den Gleitschuh ganz nach vorn und bringen den Schutz von hinten am Gleitschuh an. Wenn Sie die Abdeckungsplatte verwenden, bringen Sie den Splitterschutz an der Abdeckungsplatte an.

⚠️ ACHTUNG:

- Der Splitterschutz kann für Gehrungsschnitte nicht verwendet werden.

Staubabsaugung

Der Absaugstutzen (optionales Zubehör) wird für saubere Schnitte empfohlen. **(Abb. 12)**

Zum Anbringen des Absaugstutzens am Werkzeug setzen Sie den Haken des Absaugstutzens in die Öffnung in den Gleitschuh ein. **(Abb. 13)**

Zum Sichern des Absaugstutzens ziehen Sie die Klemmschraube auf der Vorderseite des Absaugstutzens an.

Der Absaugstutzen kann an auf der linken oder der rechten Seite des Gleitschuhs befestigt werden. **(Abb. 14)** Schließen Sie dann ein Makita-Absauggerät an den Absaugstutzen an.

BETRIEB

⚠️ ACHTUNG:

- Halten Sie den Gleitschuh stets bündig mit dem Werkstück. Tun Sie dies nicht, kann das Sägeblatt brechen, was zu schweren Personenschäden führen kann.

HINWEIS:

- Wenn das Werkzeug bis zur vollständigen Entladung des Akkus betrieben wurde, lassen Sie das Werkzeug 15 Minuten ruhen, bevor Sie die Arbeiten mit einem neuen Akku fortsetzen. **(Abb. 15)**

Schalten Sie das Werkzeug ein, ohne dass das Sägeblatt Kontakt hat, und warten Sie, bis das Sägeblatt seine volle Geschwindigkeit erreicht. Setzen Sie dann den Gleitschuh flach auf das Werkstück und bewegen Sie das Werkzeug langsam entlang der markierten Schnittlinie nach vorn. Schieben Sie das Werkzeug bei Kurvenschnitten sehr langsam vor.

Gehrungsschnitt (Abb. 16)

ACHTUNG:

- Schalten Sie immer das Werkzeug aus und entfernen Sie den Akkublock, bevor Sie den Gleitschuh neigen. Mit geneigtem Gleitschuh können Sie Gehrungsschnitte mit einem Winkel von 0° bis 45° (links und rechts) ausführen. (Abb. 17)

Lösen Sie zum Neigen des Gleitschuhs die Schraube auf der Rückseite des Gleitschuhs mit einem Inbusschlüssel. Verschieben Sie den Gleitschuh so, dass die Schraube in der Mitte des Gehrungsschlitzes im Gleitschuh liegt. (Abb. 18)

Drehen Sie den Gleitschuh bis zum gewünschten Winkel. Die V-Kerbe des Getriebegehäuses zeigt den Gehrungswinkel in Einteilungen an. Ziehen Sie dann die Schraube zur Sicherung des Gleitschuhs fest an.

Front-Glattschnitte (Abb. 19)

Lösen Sie die Schraube auf der Rückseite des Gleitschuhs mit dem Inbusschlüssel und schieben Sie den Gleitschuh ganz zurück. Ziehen Sie dann die Schraube zur Sicherung des Gleitschuhs an.

Ausschnitte

Ausschnitte können entweder mit Methode A oder B hergestellt werden.

A) Bohren eines Anfangslochs: (Abb. 20)

- Für Innenschnitte ohne Führungsschnitt von einer Kante aus bohren Sie ein Anfangsloch mit einem Durchmesser von 12 mm oder mehr. Führen Sie das Sägeblatt in dieses Loch ein, und sägen Sie.

B) Tauchsägen: (Abb. 21)

- Ein Anfangsloch oder ein Führungsschnitt ist nicht nötig, wenn Sie vorsichtig wie folgt vorgehen.
1. Kippen Sie das Werkzeug auf die vordere Kante des Gleitschuhs, mit der Sägeblattspitze genau über der Oberfläche des Werkstücks.
 2. Üben Sie Druck auf das Werkzeug aus, sodass die vordere Kante des Gleitschuhs sich nicht bewegt, während Sie das Werkzeug einschalten und die hintere Kante des Gleitschuhs sanft absenken.
 3. Während das Sägeblatt in das Werkstück eindringt, senken Sie den Gleitschuh des Werkzeugs langsam auf die Oberfläche des Werkstücks.
 4. Beenden Sie den Schnitt wie gewohnt.

Abschließen von Kanten (Abb. 22)

Zum Abkanten oder um Abmessungen anzupassen, führen Sie das Sägeblatt leicht entlang der Schnittkanten.

Metallschnitte

Verwenden Sie beim Sägen von Metall ein geeignetes Kühlmittel (Schneideöl). Zuwiderhandlungen können zu enormer Blattabnutzung führen. Die Unterseite des Werkstücks kann gefettet werden, anstelle der Verwendung eines Kühlmittels.

Parallelanschlagsset (optionales Zubehör)

ACHTUNG:

- Schalten Sie das Werkzeug aus und entnehmen Sie den Akkublock, bevor Sie Zubehörteile einsetzen oder entfernen.

1. Gerader Schnitt (Abb. 23)

Der praktische Parallelanschlag ermöglicht die Ausführung besonders genauer Geradschnitte bei wiederholten Schnittbreiten unter 160 mm. (Abb. 24) Setzen Sie den Parallelanschlag in das rechteckige Loch auf der Seite des Werkzeug-Gleitschuhs ein, mit dem Gehrungsanschlag nach unten. Verschieben Sie den Parallelanschlag auf die gewünschte Schnittbreite, und ziehen Sie die Schraube an, um ihn zu sichern.

2. Runder Schnitt (Abb. 25 und 26)

Zum Sägen von Kreisen oder Bögen mit 170 mm Radius oder weniger bringen Sie den Parallelanschlag wie folgt an.

1. Setzen Sie den Parallelanschlag in das rechteckige Loch auf der Seite des Gleitschuhs ein, mit dem Gehrungsanschlag nach oben. Führen Sie den Kreisführungsstift in eines der beiden Löcher im Gehrungsanschlag ein. Schrauben Sie dann zu dessen Sicherung den Gewindeknopf auf den Stift auf.
2. Verschieben Sie den Parallelanschlag auf den gewünschten Schnittradius und ziehen Sie die Schraube an, um ihn zu sichern. Schieben Sie dann den Gleitschuh ganz nach vorn.

HINWEIS:

- Verwenden Sie immer die Sägeblätter Nr. B-17, B-18, B-26 oder B-27 zum Sägen von Kreisen oder Bögen.

Führungsschienen-Adaptersatz (optionales Zubehör) (Abb. 27)

Beim Sägen paralleler und gleichmäßig breiter oder gerader Schnitte sorgen die Führungsschiene und der Führungsschienenadapter für schnelle und saubere Schnitte.

Um den Führungsschienenadapter anzubringen, führen Sie die Messleiste so weit wie möglich in das eckige Loch im Gleitschuh ein. Sichern Sie die Schraube mit dem Inbusschlüssel. (Abb. 28)

Bringen Sie den Führungsschienenadapter an der Leiste der Führungsschiene an. Setzen Sie die Messleiste in das eckige Loch im Führungsschienenadapter ein. Bringen Sie den Gleitschuh auf die Seite der Führungsschiene, und ziehen Sie die Schraube fest an. (Abb. 29)

ACHTUNG:

- Verwenden Sie immer die Sägeblätter Nr. B-8, B-13, B-16, B-17 oder 58 mit dem Führungsschienenadapter und der Führungsschiene.

WARTUNG

ACHTUNG:

- Schalten Sie das Gerät stets aus und ziehen Sie den Akkublock ab, bevor Sie Inspektionen oder Wartungsarbeiten am Gerät vornehmen.

- Verwenden Sie zum Reinigen niemals Kraftstoffe, Benzin, Verdüner, Alkohol oder ähnliches. Dies kann zu Verfärbungen, Verformungen oder Rissen führen. Zur Gewährleistung von SICHERHEIT und ZUVERLÄSSIGKEIT des Produkts sollten Reparaturen, Wartungsarbeiten und Einstellungen nur durch von Makita autorisierte Servicecenter durchgeführt und ausschließlich Makita-Ersatzteile verwendet werden.

SONDERZUBEHÖR

⚠ ACHTUNG:

- Für das in diesem Handbuch beschriebene Makita-Gerät werden die folgenden Zubehör- und Zusatzteile empfohlen. Bei Verwendung anderer Zubehör- und Zusatzteile kann es zu Verletzungen kommen. Verwenden Sie Zubehör- und Zusatzteile nur für den vorgesehenen Zweck.

Informationen zu diesem Zubehör erhalten Sie von Ihrem Makita-Servicecenter.

- Stichsägeblätter
- Inbusschlüssel 4
- Parallelanschlag (Führungsschiene) Satz
- Führungsschienen-Adaptersatz
- Führungsschienenersatz
- Splitterschutz
- Abdeckungsplatte
- Absaugstutzen-Einheit
- Original-Akku und Original-Ladegerät von Makita

HINWEIS:

- Einige der in der Liste aufgeführten Elemente sind dem Werkzeugpaket als Standardzubehör beigelegt. Diese können in den einzelnen Ländern voneinander abweichen.

Schallpegel

ENG905-1

Typischer A-bewerteter Schallpegel nach EN62841-2-11:

Modell DJV142

Schalldruckpegel (L_{pA}): 78 dB (A)
Abweichung (K): 3 dB (A)

Unter Arbeitsbedingungen kann der Schalldruck 80 dB (A) überschreiten.

Modell DJV182

Schalldruckpegel (L_{pA}): 77 dB (A)
Abweichung (K): 3 dB (A)

Unter Arbeitsbedingungen kann der Schalldruck 80 dB (A) überschreiten.

ENG907-1

- Der (Die) angegebene(n) Schallemissionswert(e) wurde(n) im Einklang mit der Standardprüfmethode gemessen und kann (können) für den Vergleich zwischen Werkzeugen herangezogen werden.
- Der (Die) angegebene(n) Schallemissionswert(e) kann (können) auch für eine Vorbewertung des Gefährdungsgrads verwendet werden.

⚠ WARNUNG:

- **Einen Gehörschutz tragen.**
- **Die Schallemission während der tatsächlichen Benutzung des Elektrowerkzeugs kann je nach der Benutzungsweise des Werkzeugs, und speziell je nach der Art des bearbeiteten Werkstücks, von dem (den) angegebenen Wert(en) abweichen.**

- **Identifizieren Sie Sicherheitsmaßnahmen zum Schutz des Benutzers anhand einer Schätzung des Gefährdungsgrads unter den tatsächlichen Benutzungsbedingungen (unter Berücksichtigung aller Phasen des Arbeitszyklus, wie z. B. Ausschalt- und Leerlaufzeiten des Werkzeugs zusätzlich zur Betriebszeit).**

Schwingung

ENG900-1

Schwingungsgesamtwerte (Vektorsumme dreier Achsen) nach EN62841-2-11:

Modell DJV142

Betriebsmodus: Sägen von Brettern
Schwingungsbelastung ($a_{h,B}$): 7,0 m/s²
Abweichung (K): 1,5 m/s²

Betriebsmodus: Sägen von Blech
Schwingungsbelastung ($a_{h,M}$): 4,0 m/s²
Abweichung (K): 1,5 m/s²

Modell DJV182

Betriebsmodus: Sägen von Brettern
Schwingungsbelastung ($a_{h,B}$): 7,0 m/s²
Abweichung (K): 1,5 m/s²

Betriebsmodus: Sägen von Blech
Schwingungsbelastung ($a_{h,M}$): 3,5 m/s²
Abweichung (K): 1,5 m/s²

ENG901-2

- Der (Die) angegebene(n) Vibrationsgesamtwert(e) wurde(n) im Einklang mit der Standardprüfmethode gemessen und kann (können) für den Vergleich zwischen Werkzeugen herangezogen werden.
- Der (Die) angegebene(n) Vibrationsgesamtwert(e) kann (können) auch für eine Vorbewertung des Gefährdungsgrads verwendet werden.

⚠ WARNUNG:

- **Die Vibrationsemission während der tatsächlichen Benutzung des Elektrowerkzeugs kann je nach der Benutzungsweise des Werkzeugs, und speziell je nach der Art des bearbeiteten Werkstücks, von dem (den) angegebenen Emissionswert(en) abweichen.**
- **Identifizieren Sie Sicherheitsmaßnahmen zum Schutz des Benutzers anhand einer Schätzung des Gefährdungsgrads unter den tatsächlichen Benutzungsbedingungen (unter Berücksichtigung aller Phasen des Arbeitszyklus, wie z. B. Ausschalt- und Leerlaufzeiten des Werkzeugs zusätzlich zur Betriebszeit).**

EG-Konformitätserklärung

Nur für europäische Länder

Die EG-Konformitätserklärung liegt dieser Betriebsanleitung als Anhang A bei.

ITALIANO (Istruzioni originali)

Spiegazione della vista generale

- | | | |
|---|--------------------------------|------------------------------------|
| 1. Indicatore rosso | 12. Posizione fissa | 25. Regolazioni |
| 2. Pulsante | 13. Posizione di sblocco | 26. Tacca a V |
| 3. Batteria | 14. Lama della sega da traforo | 27. Alloggiamento dell'ingranaggio |
| 4. Contrassegno a stella | 15. Base | 28. Foro iniziale |
| 5. Spie luminose | 16. Chiave esagonale | 29. Guida di taglio |
| 6. Pulsante di controllo | 17. Piastra di copertura | 30. Guida di appoggio |
| 7. Leva di commutazione dell'azione di taglio | 18. Dispositivo anti-scheggia | 31. Pomello filettato |
| 8. Interruttore di blocco | 19. Ugello antipolvere | 32. Perno di guida circolare |
| 9. Interruttore di accensione | 20. Vite di serraggio | 33. Righello |
| 10. Pulsante di blocco | 21. Tubo per aspirapolvere | 34. Adattatore per binario guida |
| 11. Ghiera di regolazione della velocità | 22. Linea di taglio | 35. Vite |
| | 23. Bullone | 36. Binario guida |
| | 24. Fessura per tagli obliqui | |

SPECIFICHE TECNICHE

Modello	DJV142	DJV182
Lunghezza del colpo	26 mm	26 mm
Capacità massima di taglio	Legno	135 mm
	Acciaio dolce	10 mm
	Alluminio	20 mm
Colpi al minuto (min ⁻¹)	800 - 3.500	800 - 3.500
Lunghezza complessiva	264 mm	266 mm
Peso netto	2,3 - 2,6 kg	2,4 - 2,7 kg
Tensione nominale	14,4 V CC	18 V CC

- Le caratteristiche tecniche riportate di seguito sono soggette a modifiche senza preavviso in virtù del nostro programma continuo di ricerca e sviluppo.
- Le caratteristiche tecniche possono differire da paese a paese.
- Il peso può variare in base agli accessori in uso, compresa la batteria. Le combinazioni più leggere e pesanti, in conformità alla procedura EPTA 01/2014, sono mostrate nella tabella.

Batteria e caricabatteria applicabili

Batteria	14,4 V CC Modello	BL1415N/BL1430/BL1430B/BL1440/BL1450/BL1460B
	18 V CC Modello	BL1815N/BL1820/BL1820B/BL1830/BL1830B/BL1840/BL1840B/BL1850/BL1850B/BL1860B
Caricatore		DC18RC/DC18RD/DC18RE/DC18SD/DC18SE/DC18SF

- Alcune delle batterie e dei caricabatterie elencati sopra potrebbero non essere disponibili a seconda della vostra regione di residenza.

ATTENZIONE:

- Utilizzare solo le batterie e i caricabatterie elencati sopra.** L'uso di batterie e caricabatterie diversi può far sorgere il rischio di infortuni e/o incendi.


Uso previsto

Questo utensile è progettato per segare legno, plastica e materiali metallici. A seguito del programma completo per la lama della sega e gli accessori, l'utensile può essere utilizzato per molti scopi ed è particolarmente adatto per tagli curvi o circolari.

ENE019-1

Avvertenze generali relative alla sicurezza dell'utensile elettrico

GEA010-2

 **AVVERTENZA:** Leggere tutte le avvertenze di sicurezza, le istruzioni, le illustrazioni e i dati tecnici forniti con il presente utensile elettrico. La mancata osservanza di tutte le istruzioni elencate di seguito potrebbe risultare in scosse elettriche, incendi e/o gravi lesioni personali.

Conservare tutte le avvertenze e le istruzioni come riferimento futuro.

Il termine "utensile elettrico" nelle avvertenze si riferisce sia all'utensile elettrico (cablato) nel funzionamento alimentato da rete elettrica che all'utensile elettrico (a batteria) nel funzionamento alimentato a batteria.

Avvertenze relative alla sicurezza del seghetto alternativo a batteria

GEB187-1

1. Tenere l'utensile elettrico per le superfici di impugnatura isolate, quando si esegue un'operazione in cui l'accessorio da taglio potrebbe entrare in contatto con fili elettrici nascosti. Un accessorio da taglio che entri in contatto con un filo elettrico sotto tensione potrebbe mettere sotto tensione le parti metalliche esposte dell'utensile elettrico e causare una scossa elettrica all'operatore.
2. Utilizzare una morsa o un altro sistema pratico per fissare e supportare il pezzo in lavorazione su un piano stabile. Il pezzo mantenuto con la mano o contro il corpo resta instabile, e potrebbe causare una perdita di controllo.
3. Utilizzare sempre occhiali oppure occhialoni di protezione. I comuni occhiali da vista o da sole NON sono occhiali di protezione.
4. Evitare di tagliare chiodi. Ispezionare il pezzo in lavorazione e, in presenza di eventuali chiodi, rimuoverli prima di procedere.
5. Non tagliare pezzi eccessivamente grandi.
6. Verificare che sia presente uno spazio sufficiente al di là del pezzo in lavorazione, prima di tagliarlo, in modo che la lama non colpisca il pavimento, il banco da lavoro, e così via.
7. Mantenere saldamente l'utensile.
8. Accertarsi che la lama non sia in contatto con il pezzo in lavorazione, prima di attivare l'interruttore.
9. Tenere le mani lontane dalle parti mobili.
10. Non lasciare l'utensile mentre è in funzione. Far funzionare l'utensile solo mentre viene tenuto in mano.
11. Spegnerne sempre l'utensile e attendere che la lama si sia arrestata completamente, prima di rimuoverla dal pezzo in lavorazione.
12. Non toccare la lama o il pezzo in lavorazione subito dopo l'operazione; la loro temperatura potrebbe essere estremamente elevata e potrebbero causare ustioni.
13. Non far funzionare inutilmente l'utensile a vuoto.
14. Alcuni materiali contengono sostanze chimiche che potrebbero essere tossiche. Fare attenzione a evitare l'inalazione delle polveri e il loro contatto con la pelle. Attenersi ai dati sulla sicurezza del fornitore dei materiali.
15. Usare sempre la mascherina antipolvere o il respiratore adatti al materiale e all'applicazione con cui si intende lavorare.

CONSERVARE LE PRESENTI ISTRUZIONI.

⚠ AVVERTENZA:

NON lasciare che comodità o la familiarità d'utilizzo con il prodotto (acquisita con l'uso ripetuto) sostituisca la stretta osservanza delle norme di sicurezza per il prodotto in questione. L'USO IMPROPRIO o la mancata osservanza delle norme di sicurezza indicate nel presente manuale di istruzioni potrebbero causare gravi lesioni personali.

ISTRUZIONI DI SICUREZZA IMPORTANTI PER LA CARTUCCIA DELLA BATTERIA

ENC007-12

1. Prima di utilizzare la batteria, leggere tutte le istruzioni e gli avvisi di sicurezza relativi a (1) caricabatteria, (2) batteria e (3) prodotto utilizzato con la batteria.
2. Non smontare la batteria.
3. Se il tempo di funzionamento è diventato eccessivamente breve, non utilizzare l'utensile. Potrebbero verificarsi surriscaldamenti, ustioni o esplosioni.
4. In caso di contatto dell'elettrolita della batteria con gli occhi, sciacquare con acqua fresca e rivolgersi immediatamente a un medico. Potrebbero verificarsi danni permanenti alla funzionalità visiva.
5. Non cortocircuitare la batteria:
 - (1) Non toccare i terminali della batteria con materiale in grado di condurre elettricità.
 - (2) Evitare di conservare la batteria a contatto con oggetti metallici quali chiodi, monete e così via.
 - (3) Non esporre le batterie all'acqua o alla pioggia.Un cortocircuito può provocare un elevato flusso di corrente, surriscaldamento, ustioni o rotture.
6. Non conservare l'utensile e la batteria a una temperatura superiore a 50 °C.
7. Evitare di smaltire le batterie danneggiate o esaurite bruciandole. Se esposte al fuoco, le batterie possono esplodere.
8. Evitare di far cadere o di colpire la batteria.
9. Non utilizzare batterie danneggiate.
10. Le batterie a ioni di litio contenute sono soggette ai requisiti del regolamento sul trasporto di merci pericolose (Dangerous Goods Legislation). Per trasporti commerciali, ad esempio da parte di terzi o spedizionieri, è necessario osservare dei requisiti speciali sull'imballaggio e sull'etichetta. Per la preparazione dell'articolo da spedire, è richiesta la consulenza di un esperto in materiali pericolosi. Attenersi anche alle normative nazionali, che potrebbero essere più dettagliate. Nasstrare o coprire i contatti aperti e imballare la batteria in modo tale che non si possa muovere liberamente all'interno dell'imballaggio.
11. Attenersi alle normative della propria area geografica relative allo smaltimento delle batterie.

12. **Utilizzare le batterie solo con i prodotti specificati da Makita.** L'installazione delle batterie in prodotti non compatibili potrebbe causare incendi, calore eccessivo, esplosione o perdita di elettroliti.

CONSERVARE QUESTE ISTRUZIONI.

⚠ ATTENZIONE: Utilizzare solo batterie originali Makita.

L'utilizzo di batterie Makita non originali, o di batterie che siano state alterate, potrebbe risultare nello scoppio della batteria, causando incendi, lesioni personali e danni. Inoltre, ciò potrebbe invalidare la garanzia Makita per l'utensile e il caricabatterie Makita.

Suggerimenti per il prolungamento della durata della batteria

- Caricare le batterie prima di scaricarle completamente.**
Se si nota una diminuzione di potenza dell'utensile, interrompere il lavoro e ricaricare la batteria.
- Non ricaricare una batteria già completamente carica.**
In caso contrario, la durata operativa della batteria potrebbe ridursi.
- Caricare la batteria in ambienti con temperatura compresa tra 10 °C e 40 °C.** Prima di caricare una batteria surriscaldata, lasciarla raffreddare.
- Caricare la batteria qualora non venga utilizzata per un lungo periodo (superiore a sei mesi).**

DESCRIZIONE FUNZIONALE

⚠ ATTENZIONE:

- Prima di regolare o controllare le funzioni dell'utensile, verificare sempre di averlo spento e di aver rimosso la batteria.

Installazione o rimozione della batteria (Fig. 1)

⚠ ATTENZIONE:

- Spegnerne sempre l'utensile prima di inserire o rimuovere la batteria.
- Tenere saldamente l'utensile e la batteria durante l'inserimento o la rimozione della batteria stessa.** In caso contrario, l'utensile e la batteria potrebbero scivolare dalle mani, con conseguenti danni all'utensile, alla batteria e alla persona.

Per rimuovere la batteria è sufficiente estrarla dall'utensile facendo scorrere il pulsante sulla parte anteriore della batteria.

Per inserire la batteria, allineare la linguetta della batteria con la scanalatura nell'alloggiamento e farla scorrere in posizione. Inserire a fondo la batteria fino a bloccarla in posizione con uno scatto. Se è visibile l'indicatore rosso sul lato superiore del pulsante, significa che la batteria non è completamente inserita.

⚠ ATTENZIONE:

- Inserire sempre a fondo la batteria, fino alla scomparsa dell'indicatore rosso. In caso contrario, la batteria

potrebbe fuoriuscire accidentalmente dall'utensile, provocando danni all'operatore o a eventuali osservatori.

- Non forzare l'inserimento della batteria. Se la batteria non scorre agevolmente, significa che la manovra di inserimento non è corretta.

Sistema di protezione della batteria (batteria agli ioni di litio con contrassegno a stella) (Fig. 2)

Le batterie agli ioni di litio con contrassegno a stella sono dotate di un sistema di protezione. Questo sistema interrompe automaticamente l'alimentazione dell'utensile per prolungare la durata della batteria.

L'utensile si spegne automaticamente durante l'uso se l'utensile stesso e/o la batteria si trovano in una delle seguenti condizioni:

- Sovraccarico:**
La modalità d'uso dell'utensile provoca un assorbimento anomalo di corrente. In questa situazione rilasciare l'interruttore di accensione dell'utensile e interrompere l'operazione che ha provocato il sovraccarico dell'utensile stesso. Quindi azionare nuovamente l'interruttore di accensione per riavviare l'utensile. Se l'utensile non si avvia, si è verificato un surriscaldamento della batteria. In questa situazione lasciar raffreddare la batteria prima di azionare nuovamente l'interruttore di accensione.
- Bassa tensione della batteria:**
La capacità residua della batteria è troppo bassa e non consente di utilizzare l'utensile. In questo caso, rimuovere e ricaricare la batteria.

Indicazione della capacità residua della batteria

Solo per cartucce delle batterie dotate di indicatore (Fig. 3)

Premere il pulsante di controllo sulla cartuccia della batteria per indicare la carica residua della batteria. Gli indicatori luminosi si illuminano per alcuni secondi.

Spie luminose			Capacità residua
Accesa	Spenta	Lampeggiante	
■	□	▧	Dal 75% al 100%
■	■	□	Dal 50% al 75%
■	■	□	Dal 25% al 50%
■	□	□	Dal 0% al 25%
▧	□	□	Caricare la batteria.
■	■	□	Probabile malfunzionamento della batteria.
□	□	■	

NOTA:

- Il valore indicato potrebbe variare leggermente dalla capacità effettiva in base alle condizioni di utilizzo e alla temperatura ambientale.

Selezione dell'azione di taglio (Fig. 4)

L'utensile può essere utilizzato con un'azione di taglio a linea orbitale o dritta (su e giù). L'azione di taglio orbitale spinge la lama in avanti sul colpo di taglio e aumenta notevolmente la velocità di taglio.

Per modificare l'azione di taglio è sufficiente portare la leva di commutazione dell'azione di taglio sulla posizione desiderata di azione di taglio. Consultare la tabella per selezionare l'azione di taglio appropriata.

Posizione	Azione di taglio	Applicazioni
0	Azione di taglio a linea dritta	Per tagliare l'acciaio dolce, l'acciaio inossidabile e la plastica. Per tagli netti nel legno e nel compensato.
I	Azione di taglio orbitale piccola	Per tagliare acciaio dolce, alluminio e legno duro.
II	Azione di taglio orbitale media	Per tagliare legno e compensato. Per tagli rapidi nell'alluminio e nell'acciaio dolce.
III	Azione di taglio orbitale grande	Per tagliare rapidamente legno e compensato.

006376

Azionamento dell'interruttore

⚠ ATTENZIONE:

- Prima di inserire la batteria nell'utensile, controllare se l'interruttore funziona correttamente e ritorna in posizione "OFF" una volta rilasciato. (Fig. 5)

Per avviare l'utensile:

Premere l'interruttore di blocco per portare l'utensile in modalità di standby. In questo modo, viene anche accesa la spia.

Azionare l'interruttore di accensione per avviare l'utensile. Rilasciare l'interruttore per spegnerlo.

Per il funzionamento continuo, azionare l'interruttore di accensione e, successivamente, il pulsante di blocco.

Per arrestare l'utensile in funzionamento continuo, premere a fondo l'interruttore e, quindi, rilasciarlo.

In modalità di standby, premere l'interruttore di blocco per spegnere la spia e portare l'utensile in modalità di blocco.

NOTA:

- L'interruttore di blocco non funziona durante le operazioni di taglio.
- Quando l'utensile è in modalità di standby, la spia continua a rimanere accesa.
- Se l'utensile rimane per 10 secondi inattivo in modalità di standby, passa automaticamente in modalità di blocco e la spia si spegne.

Accensione delle spie

⚠ ATTENZIONE:

- Non guardare direttamente la spia o la sorgente luminosa.

Per accendere la spia, premere l'interruttore di blocco.

Per spegnere la spia entro 10 secondi, premere nuovamente l'interruttore di blocco.

NOTA:

- Utilizzare un panno asciutto per pulire la lente della spia. Prestare attenzione a non graffiare la lente della spia per evitare riduzioni dell'intensità luminosa.
- In caso di surriscaldamento dell'utensile, la spia lampeggia. Raffreddare completamente l'utensile prima di riutilizzarlo.

Ghiera di regolazione della velocità (Fig. 6)

Per regolare la velocità dell'utensile in maniera indefinita ruotare la ghiera di regolazione della velocità. 6 corrisponde alla velocità massima, 1 alla velocità minima. Consultare la tabella per selezionare la velocità corretta per il pezzo da tagliare. Tuttavia, la velocità appropriata dipende anche dal tipo e dallo spessore del pezzo in lavorazione. In genere, velocità superiori consentono un taglio più rapido dei pezzi, ma riducono la durata di servizio della lama.

Pezzo in lavorazione da tagliare	Numero sulla ghiera di regolazione
Legno	4 - 6
Acciaio dolce	3 - 6
Acciaio inossidabile	3 - 4
Alluminio	3 - 6
Plastica	1 - 4

013925

⚠ ATTENZIONE:

- La ghiera di regolazione della velocità può essere ruotata soltanto fino a 6 o indietro fino a 1. Non forzarla oltre 6 o 1: potrebbe non funzionare più correttamente.

NOTA:

- Quando la ghiera di regolazione della velocità si trova a livello 3 o superiore, l'utensile riduce automaticamente la velocità a vuoto per ridurre le vibrazioni a vuoto. Una volta caricato, l'utensile raggiunge la velocità preimpostata. Quindi l'utensile mantiene la stessa velocità fino a quando non viene spento. In caso di basse temperature e conseguente minore fluidità del grasso, l'utensile potrebbe non svolgere questa funzione anche con il motore in rotazione.

MONTAGGIO

⚠ ATTENZIONE:

- Prima di eseguire qualsiasi operazione sull'utensile, verificare sempre di averlo spento e di aver rimosso la batteria.

Montaggio e smontaggio della lama

ATTENZIONE:

- Rimuovere sempre tutte le schegge o le sostanze estranee che si attaccano alla lama e/o al supporto della lama. La mancata osservanza di questa operazione può far sì che il fissaggio della lama risulti insufficiente, provocando lesioni personali gravi.
- Non toccare la lama o il pezzo in lavorazione subito dopo aver utilizzato l'utensile in quanto possono raggiungere temperature elevate e provocare ustioni.
- Serrare saldamente la lama della sega. La mancata osservanza di questa operazione può provocare ferite gravi.
- Quando si rimuove la lama della sega, fare attenzione a non danneggiarsi le dita con la parte superiore della lama o le punte del pezzo in lavorazione. (Fig. 7)

Prima di installare la lama, assicurarsi che il relativo supporto si trovi nella posizione di sblocco.

Per installare la lama, inserirla (coi denti rivolti in avanti) nell'apposito supporto fino a che non avviene l'innesto. Il supporto della lama si sposta nella posizione fissa da solo, bloccando la lama. Tirare leggermente la lama per verificare che non possa cadere durante l'uso.

ATTENZIONE:

- Non aprire eccessivamente l'apriutensile, o l'utensile potrebbe rimanere danneggiato. (Fig. 8)

Per rimuovere la lama, premere in avanti l'apriutensile fino in fondo. In questo modo la lama viene rilasciata.

NOTA:

- Lubrificare il rullo di tanto in tanto.

Allungamento della chiave esagonale (Fig. 9)

Per evitare di perdere la chiave esagonale quando non è in uso, conservarla nella posizione illustrata nella figura.

Piastra di copertura (Fig. 10)

Usare la piastra di copertura quando si tagliano impiallacciate decorative, plastica, ecc. In questo modo le superfici sensibili o delicate vengono protette. Inserirla sul retro della base dell'utensile.

Dispositivo anti-schegge (Fig. 11)

Per eseguire tagli senza schegge è possibile utilizzare il dispositivo anti-schegge. Per installare il dispositivo anti-schegge, spostare la base dell'utensile completamente in avanti e inserirlo dal retro della base dell'utensile. Quando si utilizza la piastra di copertura, installare il dispositivo anti-schegge su di essa.

ATTENZIONE:

- Il dispositivo anti-schegge non può essere utilizzato quando si eseguono tagli obliqui.

Estrazione della polvere

L'ugello antipolvere (accessorio opzionale) è consigliato per l'esecuzione di tagli netti. (Fig. 12)

Per installare l'ugello antipolvere sull'utensile, inserire il relativo gancio nel foro alla base. (Fig. 13)

Per fissare l'ugello antipolvere, serrare la vite di serraggio sulla parte anteriore dell'ugello antipolvere.

L'ugello antipolvere può essere installato sul lato sinistro o destro della base. (Fig. 14)

Collegare quindi un aspirapolvere Makita all'ugello antipolvere.

USO

ATTENZIONE:

- Tenere sempre la base allineata al pezzo in lavorazione. La mancata osservanza di questa istruzione può provocare la rottura della lama e gravi infortuni.

NOTA:

- Se si utilizza continuamente l'utensile fino al completo scaricamento della batteria, attendere 15 minuti prima di continuare a utilizzarlo con una nuova batteria. (Fig. 15)

Accendere l'utensile senza che la lama entri in contatto con il pezzo e attendere che la lama raggiunga la massima velocità. Appoggiare quindi la base sul pezzo in lavorazione e spostare delicatamente l'utensile lungo la linea di taglio contrassegnata in precedenza. Quando si eseguono tagli curvi, far avanzare l'utensile molto lentamente.

Tagli obliqui (Fig. 16)

ATTENZIONE:

- Prima di inclinare la base, verificare sempre di aver spento l'utensile e di aver rimosso la batteria.

Con la base inclinata, è possibile effettuare tagli obliqui a qualsiasi angolazione compresa tra 0° e 45° (a sinistra o destra). (Fig. 17)

Per inclinare la base, allentare il bullone sul retro della base stessa con la chiave esagonale. Spostare la base in modo che il bullone venga posizionato al centro della fessura per tagli obliqui nella base. (Fig. 18)

Inclinare la base fino a ottenere l'angolo di taglio obliquo desiderato. La tacca a V dell'alloggiamento dell'ingranaggio indica diverse regolazioni per l'angolo di taglio obliquo. Serrare quindi saldamente il bullone per fissare la base.

Tagli allineati frontali (Fig. 19)

Allentare il bullone nella parte posteriore della base con la chiave esagonale e far scorrere indietro del tutto la base. Serrare il bullone per fissare la base.

Intagli

Gli intagli possono essere eseguiti in due modalità, A o B.

A) Alesatura di un foro iniziale: (Fig. 20)

- Per gli intagli interni senza un taglio di ingresso da un lato, effettuare preventivamente un foro iniziale con diametro di almeno 12 mm. Inserire la lama in questo foro per iniziare il taglio.

B) Taglio a immersione: (Fig. 21)

- Non è necessario alesare un foro iniziale o effettuare un taglio di ingresso se si segue con attenzione la seguente procedura.
 1. Inclinare l'utensile verso l'alto sul lato anteriore della base con la punta della lama posizionata appena sopra la superficie del pezzo in lavorazione.

2. Applicare pressione sull'utensile in modo che il lato anteriore della base non si sposti quando si accende l'utensile, quindi abbassare lentamente il lato posteriore dell'utensile.
3. Quando la lama entra nel pezzo, abbassare lentamente la base dello strumento nella superficie del pezzo in lavorazione.
4. Completare il taglio nel modo normale.

Rifinitura bordi (Fig. 22)

Per tagliare contorni o effettuare regolazioni dimensionali, passare leggermente la lama lungo i contorni del taglio.

Taglio di metalli

Quando si taglia materiale metallico, utilizzare sempre un refrigerante adatto (olio da taglio). Diversamente, si potrebbe verificare causare una notevole usura della lama. Il lato inferiore del pezzo in lavorazione può essere ingrassato (al posto dell'uso del refrigerante).

Set guida di taglio (accessorio opzionale)

⚠ ATTENZIONE:

- Prima di installare o rimuovere gli accessori, verificare sempre che l'utensile sia spento e che la batteria sia stata rimossa.

1. Tagli orizzontali (Fig. 23)

Quando si eseguono ripetutamente tagli di larghezza 160 mm o meno, l'utilizzo della guida di taglio assicura tagli rapidi, netti e dritti. (Fig. 24)

Per installare la guida di taglio, inserirla nel foro rettangolare sul lato della base dell'utensile con la guida di appoggio stessa rivolta verso il basso. Far scorrere la guida di taglio nella posizione della larghezza di taglio desiderata, quindi serrare il bullone per fissarla.

2. Tagli circolari (Fig. 25 e 26)

Quando si eseguono tagli circolari o ad arco con un raggio non superiore a 170 mm, installare la guida di taglio come di seguito indicato.

1. Inserire la guida di taglio nel foro rettangolare sul lato della base dell'utensile con la guida di appoggio stessa rivolta verso l'alto. Inserire il perno di guida circolare attraverso uno dei due fori sulla guida di appoggio. Avvitare il pomello filettato sul perno per fissarlo.
2. Ora, far scorrere la guida di taglio fino al raggio di taglio desiderato, quindi serrare il bullone per fissarla in posizione. A questo punto, far avanzare fino in fondo la base.

NOTA:

- Utilizzare sempre le lame N. B-17, B-18, B-26 o B-27 quando si eseguono tagli circolari o ad arco.

Set adattatore per binario guida (accessorio opzionale) (Fig. 27)

Quando si eseguono tagli con larghezza parallela e uniforme o dritti, l'uso del binario guida e del relativo adattatore garantiscono l'esecuzione di tagli rapidi e netti. Per installare l'adattatore del binario guida, inserire il righello nel foro quadrato della base fino in fondo. Fissare saldamente il bullone con la chiave esagonale. (Fig. 28)

Installare l'adattatore del binario guida sul binario stesso. Inserire il righello nel foro quadrato dell'adattatore del binario guida. Collocare la base sul lato del binario guida, quindi fissare saldamente il bullone. (Fig. 29)

⚠ ATTENZIONE:

- Utilizzare sempre le lame N. B-8, B-13, B-16, B-17 o 58 quando si impiegano il binario guida e il relativo adattatore.

MANUTENZIONE

⚠ ATTENZIONE:

- Prima di effettuare controlli e operazioni di manutenzione, verificare sempre di aver spento l'utensile e di aver rimosso la batteria.
- Evitare assolutamente di usare benzina, diluenti, solventi, alcool o sostanze simili. In caso contrario, potrebbero verificarsi scoloriture, deformazioni o incrinature.

Per preservare la SICUREZZA e l'AFFIDABILITÀ del prodotto, qualsiasi riparazione o intervento di manutenzione e regolazione deve essere eseguito dai centri assistenza autorizzati Makita utilizzando sempre ricambi Makita.

ACCESSORI OPZIONALI

⚠ ATTENZIONE:

- Si consiglia l'uso dei seguenti accessori per l'utensile Makita descritto in questo manuale. L'uso di qualsiasi altro accessorio potrebbe provocare lesioni personali. Utilizzare gli accessori esclusivamente per l'uso dichiarato.

Per l'assistenza e per ulteriori informazioni su tali accessori, rivolgersi al centro assistenza Makita di zona.

- Lama della sega da traforo
- Chiave esagonale da 4
- Set guida di taglio (righello guida)
- Set adattatore per binario guida
- Set binario guida
- Dispositivo anti-schegge
- Piastra di copertura
- Ugello antipolvere completo
- Batteria e caricabatteria originali Makita

NOTA:

- Alcuni degli accessori elencati potrebbero essere inclusi nella confezione dell'utensile come accessori standard. Gli accessori standard possono differire da paese a paese.

Rumore

ENG905-1

Il tipico livello di rumore ponderato A è determinato in conformità alla norma EN62841-2-11:

Modello DJV142

Livello di pressione sonora (L_{pA}): 78 dB (A)
Variazione (K): 3 dB (A)

Il livello acustico in esercizio può superare 80 dB (A).

Modello DJV182

Livello di pressione sonora (L_{pA}): 77 dB (A)
Variazione (K): 3 dB (A)

Il livello acustico in esercizio può superare 80 dB (A).

ENG907-1

- Il valore o i valori dichiarati delle emissioni di rumori sono stati misurati in conformità a un metodo standard di verifica, e possono essere utilizzati per confrontare un utensile con un altro.
- Il valore o i valori dichiarati delle emissioni di rumori possono venire utilizzati anche per una valutazione preliminare dell'esposizione.

⚠ AVVERTENZA:

- **Indossare protezioni per le orecchie.**
- **L'emissione di rumori durante l'utilizzo effettivo dell'utensile elettrico può variare rispetto al valore o ai valori dichiarati, a seconda dei modi in cui viene utilizzato l'utensile e specialmente a seconda di che tipo di pezzo venga lavorato.**
- **Accertarsi di identificare misure di sicurezza per la protezione dell'operatore che siano basate su una stima dell'esposizione nelle condizioni effettive di utilizzo (tenendo conto di tutte le parti del ciclo operativo, ad esempio del numero di spegnimenti dell'utensile e di quando giri a vuoto, oltre al tempo di attivazione).**

Vibrazioni

ENG900-1

Il valore totale delle vibrazioni (somma vettoriale triassiale) è determinato in conformità alla norma EN62841-2-11:

Modello DJV142

Modalità operativa: piani di taglio

Emissione di vibrazioni ($a_{h,B}$): 7,0 m/s²

Variazione (K): 1,5 m/s²

Modalità operativa: taglio di lamine di metallo

Emissione di vibrazioni ($a_{h,M}$): 4,0 m/s²

Variazione (K): 1,5 m/s²

Modello DJV182

Modalità operativa: piani di taglio

Emissione di vibrazioni ($a_{h,B}$): 7,0 m/s²

Variazione (K): 1,5 m/s²

Modalità operativa: taglio di lamine di metallo

Emissione di vibrazioni ($a_{h,M}$): 3,5 m/s²

Variazione (K): 1,5 m/s²

ENG901-2

- Il valore o i valori complessivi delle vibrazioni dichiarati sono stati misurati in conformità a un metodo standard di verifica, e possono essere utilizzati per confrontare un utensile con un altro.
- Il valore o i valori complessivi delle vibrazioni dichiarati possono venire utilizzati anche per una valutazione preliminare dell'esposizione.

⚠ AVVERTENZA:

- **L'emissione delle vibrazioni durante l'utilizzo effettivo dell'utensile elettrico può variare rispetto al valore o ai valori dichiarati, a seconda dei modi in cui viene utilizzato l'utensile, specialmente a seconda di che tipo di pezzo venga lavorato.**
- **Accertarsi di identificare misure di sicurezza per la protezione dell'operatore che siano basate su una stima dell'esposizione nelle condizioni effettive di**

utilizzo (tenendo conto di tutte le parti del ciclo operativo, ad esempio del numero di spegnimenti dell'utensile e di quando giri a vuoto, oltre al tempo di attivazione).

**Dichiarazione di conformità CE
Solo per i paesi europei**

La dichiarazione di conformità CE è inclusa nell'Allegato A di questo manuale di istruzioni.

NEDERLANDS (Originele instructies)

Verklaring van het onderdelenoverzicht

1. Rode deel	13. Ontgrendelde stand	25. Schaalverdeling
2. Knop	14. Decoupeerzaagblad	26. V-naad
3. Accu	15. Zool	27. Tandwielhuis
4. Ster-merkteken	16. Inbussleutel	28. Begingat
5. Indicatorlampjes	17. Dekplaat	29. Breedtegeleider
6. Testknop	18. Antisplinterhulpstuk	30. Geleider
7. Zaagmethode-keuzehendel	19. Stofafzuigaansluitmond	31. Knop met schroefdraad
8. Vergrendelknop	20. Klemschroef	32. Cirkelgeleidepen
9. Aan/uit-schakelaar	21. Slang naar stofzuiger	33. Linaal
10. Vastzetknop	22. Zaaglijn	34. Geleiderailadapter
11. Snelheidsregelaar	23. Bout	35. Schroef
12. Vergrendelde stand	24. Verstekgleuf	36. Geleiderail

TECHNISCHE GEGEVENS

Model		DJV142	DJV182
Slaglengte		26 mm	26 mm
Max. zaagdikte	Hout	135 mm	135 mm
	Zacht staal	10 mm	10 mm
	Aluminium	20 mm	20 mm
Aantal snijbewegingen per minuut (min ⁻¹)		800 - 3.500	800 - 3.500
Totale lengte		264 mm	266 mm
Nettogewicht		2,3 - 2,6 kg	2,4 - 2,7 kg
Nominale spanning		14,4 volt gelijkstroom	18 volt gelijkstroom

- Als gevolg van ons doorlopende onderzoeks- en ontwikkelingsprogramma, zijn de technische gegevens van dit gereedschap onderhevig aan veranderingen zonder voorafgaande kennisgeving.
- De technische gegevens kunnen van land tot land verschillen.
- Het gewicht kan verschillen afhankelijk van het/de hulpstuk(ken), waaronder de accu. De lichtste en zwaarste combinatie, volgens EPTA-Procedure 01/2014, worden vermeld in de tabel.

Geschikte accu en acculader

Accu	14,4V gelijkspanning Model	BL1415N/BL1430/BL1430B/BL1440/BL1450/BL1460B
	18 V gelijkspanning Model	BL1815N/BL1820/BL1820B/BL1830/BL1830B/BL1840/BL1840B/BL1850/BL1850B/BL1860B
Acculader		DC18RC/DC18RD/DC18RE/DC18SD/DC18SE/DC18SF

- Sommige van de bovenvermelde accu's en acculaders zijn mogelijk niet leverbaar, afhankelijk van het gebied waarin u woont.

WAARSCHUWING:

- **Gebruik uitsluitend de bovenvermelde accu's en acculaders.** Als u een andere accu of oplader gebruikt, kan dit leiden tot letsel en/of brand.


Gebruiksdoelinden

ENE019-1

Dit gereedschap is bedoeld voor het zagen van hout, kunststof en metaal. Door het uitgebreide assortiment accessoires en zaagbladen, kan het gereedschap worden gebruikt voor vele doeleinden en is het zeer geschikt voor gebogen of cirkelvormige zaagsneden.

Algemene veiligheidswaarschuwingen voor elektrisch gereedschap

GEA010-2

 **WAARSCHUWING: Lees alle veiligheidswaarschuwingen, aanwijzingen, afbeeldingen en technische gegevens behorend bij dit elektrische gereedschap aandachtig door.** Als u niet alle onderstaande aanwijzingen naleeft, kan dat resulteren in brand, elektrische schokken en/of ernstig letsel.

Bewaar alle waarschuwingen en instructies om in de toekomst te kunnen raadplegen.

De term "elektrisch gereedschap" in de veiligheidsvoorschriften duidt op gereedschappen die op stroom van het lichtnet werken (met snoer) of gereedschappen met een accu (snoerloos).

Veiligheidswaarschuwingen voor een accudecoupeerzaag

GEB187-1

1. Houd het elektrisch gereedschap vast aan het geïsoleerde oppervlak van de handgrepen wanneer u werkt op plaatsen waar het accessoire met verborgen bedrading in aanraking kan komen. Wanneer het accessoire in aanraking komt met onder spanning staande draden, zullen de niet-geïsoleerde metalen delen van het gereedschap onder spanning komen te staan zodat de gebruiker een elektrische schok kan krijgen.
2. Gebruik klemmen of andere bevestigingsmiddelen om het werkstuk op een stabiel platform te bevestigen en te ondersteunen. Het werkstuk is onstabiel en er is gevaar voor controleverlies wanneer u het werkstuk met de hand vasthoudt of het tegen uw lichaam houdt.
3. Draag altijd een veiligheidsbril of een beschermbril. Een gewone bril of een zonnebril is GEEN veiligheidsbril.
4. Vermijd het zagen op spijkers. Inspecteer het werkstuk op eventuele spijkers en verwijder ze voordat u begint.
5. Zaag geen werkstukken die te groot zijn.
6. Controleer vooraf of er voldoende ruimte voorbij het werkstuk is, zodat het zaagblad niet tegen de vloer, een werkbank e.d. zal stoten.
7. Houd het gereedschap stevig vast.
8. Zorg dat het zaagblad het werkstuk niet raakt voordat u de trekschakelaar indrukt.
9. Houd uw handen uit de buurt van bewegende delen.
10. Laat het gereedschap niet onnodig ingeschakeld. Bedien het gereedschap alleen terwijl u het vasthoudt.
11. Schakel het gereedschap uit en wacht totdat het zaagblad volledig tot stilstand is gekomen alvorens het zaagblad van het werkstuk te verwijderen.
12. Raak het zaagblad of het werkstuk niet aan onmiddellijk na het werk; deze kunnen gloeiend heet zijn en brandwonden veroorzaken.
13. Laat het gereedschap niet onbelast draaien wanneer zulks niet nodig is.
14. Sommige materialen bevatten chemische stoffen die giftig kunnen zijn. Wees voorzichtig dat u geen stof inademt en het stof niet op uw huid komt. Volg de veiligheidsinstructies van de leverancier van het materiaal op.
15. Draag altijd het stofmasker/gasmasker dat geschikt is voor het materiaal en de toepassing waarmee u werkt.

BEWAAR DEZE INSTRUCTIES.

⚠ WAARSCHUWING:

Laat u NIET misleiden door een vals gevoel van comfort en bekendheid met het gereedschap (na veelvuldig gebruik) en neem alle veiligheidsvoorschriften van het betreffende gereedschap altijd strikt in acht. VERKEERD GEBRUIK of het niet naleven van de veiligheidsvoorschriften in deze gebruiksaanwijzing kan leiden tot ernstig persoonlijk letsel.

BELANGRIJKE VEILIGHEIDSINSTRUCTIES VOOR EEN ACCU

ENC007-12

1. Alvorens de accu in gebruik te nemen, leest u eerst alle instructies en waarschuwingsofschriften op (1) de acculader, (2) de accu en (3) het apparaat waarin de accu wordt aangebracht.
2. Haal de accu niet uit elkaar.
3. Als de gebruikstijd aanzienlijk korter is geworden, stopt u onmiddellijk met het gebruik. Anders kan dit leiden tot kans op oververhitting, mogelijke brandwonden en zelfs een explosie.
4. Als de elektrolyt in uw ogen komt, wast u deze uit met schoon water en raadpleegt u onmiddellijk een arts. Dit kan leiden tot verlies van gezichtsvermogen.
5. Sluit de accu niet kort:
 - (1) Raak de accupolen niet aan met enig geleidend materiaal.
 - (2) Bewaar de accu niet op een plaats waar deze in aanraking kan komen met andere metalen voorwerpen, zoals spijkers, munten, enz.
 - (3) Stel de accu niet bloot aan water of regen. Kortsluiting van de accu kan leiden tot een hoge stroomsterkte, oververhitting, mogelijke brandwonden en zelfs een defect.
6. Bewaar het gereedschap en de accu niet op plaatsen waar de temperatuur kan oplopen tot 50 °C of hoger.
7. Werp de accu niet in een vuur, zelfs niet als deze al ernstig beschadigd of helemaal versleten is. De accu kan in een vuur exploderen.
8. Wees voorzichtig dat u de accu niet laat vallen of ergens tegenaan stoot.
9. Gebruik nooit een beschadigde accu.
10. De bijgeleverde lithium-ionbatterijen zijn onderhevig aan de vereisten in de wetgeving omtrent gevaarlijke stoffen. Voor commercieel transport en dergelijke door derden en transporteurs moeten speciale vereisten ten aanzien van verpakking en etikettering worden nageleefd. Als voorbereiding van het artikel dat wordt getransporteerd is het noodzakelijk een expert op het gebied van gevaarlijke stoffen te raadplegen. Houd u tevens aan mogelijk strengere nationale regelgeving. Blootliggende contactpunten moeten worden afgedekt met tape en de accu moet zodanig worden verpakt dat deze niet kan bewegen in de verpakking.

11. **Neem de plaatselijke regelgeving met betrekking tot het weggoien van de accu in acht.**
12. **Gebruik de accu's uitsluitend met de apparaten opgegeven door Makita.** Als de accu's worden geplaatst in niet-compatibele apparaten, kan dat leiden tot brand, buitensporige hitte, een explosie of lekkage van elektrolyt.

BEWAAR DEZE INSTRUCTIES.

⚠ LET OP: Gebruik uitsluitend originele Makita accu's.

Het gebruik van niet-originele accu's, of accu's die zijn gewijzigd, kan ertoe leiden dat de accu ontploft en brand, persoonlijk letsel en schade veroorzaakt. Ook vervalt daarmee de garantie van Makita op het gereedschap en de lader van Makita.

Tips voor een lange levensduur van de accu

1. **Laad de accu op voordat deze volledig leeg is. Wanneer u merkt dat het gereedschap minder vermogen heeft, stopt u met het gebruik ervan en laadt u eerst de accu op.**
2. **Laad nooit een volledig opgeladen accu op. Te lang opladen verkort de levensduur van de accu.**
3. **Laad de accu op bij een omgevingstemperatuur van 10 °C tot 40 °C. Laat een warme accu eerst afkoelen voordat u deze oplaadt.**
4. **Als de accu gedurende een lange tijd (meer dan zes maanden) niet gebruikt, laadt u deze eerst op alvorens deze te gebruiken.**

BESCHRIJVING VAN DE FUNCTIES

- ⚠ LET OP:**
- Zorg ervoor dat het gereedschap is uitgeschakeld en dat de accu is verwijderd voordat u de werking van het gereedschap aanpast of controleert.

De accu aanbrengen en verwijderen (zie afb. 1)

- ⚠ LET OP:**
- Schakel het gereedschap altijd uit voordat u de accu aanbrengt of verwijderd.
 - **Houd het gereedschap en de accu stevig vast tijdens het aanbrengen of verwijderen van de accu.** Als u het gereedschap en de accu niet stevig vasthoudt, kunnen deze uit uw handen glijpen en beschadigd raken, of kan persoonlijk letsel worden veroorzaakt.

Om de accu te verwijderen vershuift u de knop aan de voorkant van de accu en schuift u tegelijkertijd de accu eraf. Om de accu aan te brengen, lijnt u de lip op de accu uit met de groef in de behuizing en duwt u de accu op zijn plaats. Steek de accu zo ver mogelijk erin tot u een klikgeluid hoort. Als u het rode deel aan de bovenkant van de knop kunt zien, is de accu niet goed aangebracht.

⚠ LET OP:

- Breng de accu altijd helemaal aan totdat het rode deel niet meer zichtbaar is. Als u dit niet doet, kan de accu per ongeluk uit het gereedschap vallen en u of anderen in uw omgeving verwonden.
- Breng de accu niet met kracht aan. Als de accu niet gemakkelijk erin kan worden geschoven, wordt deze niet goed aangebracht.

Accubeveiligingssysteem (lithiumionaccu met een ster-merkteken) (zie afb. 2)

Lithiumionaccu's met een ster-merkteken zijn uitgerust met een beveiligingssysteem. Dit systeem schakelt automatisch de voeding naar het gereedschap uit om de levensduur van de accu te verlengen.






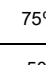





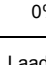


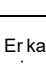


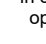
Het gereedschap zal tijdens gebruik automatisch stoppen wanneer het gereedschap en/of de accu zich in een van de volgende omstandigheden bevinden:

- **Overbelasting:**
Het gereedschap wordt gebruikt op een manier die ertoe leidt dat een abnormaal hoge stroomsterkte uit de accu wordt getrokken.
Laat in die situatie de aan/uit-schakelaar van het gereedschap los en stop het gebruik dat ertoe leidde dat het gereedschap overbelast werd. Knijp daarna opnieuw de aan/uit-schakelaar in om het gereedschap weer in te schakelen.
Als het gereedschap niet wordt ingeschakeld, is de accu oververhit. In die situatie laat u de accu eerst afkoelen voordat u opnieuw de aan/uit-schakelaar inknijpt.
- **Lage accuspanning:**
De resterende acculading is te laag en het gereedschap wordt niet ingeschakeld. Verwijder in die situatie de accu en laad hem op.

Aanduiding van de resterende acculading

Aleen voor accu's met indicatorlampjes (zie afb. 3)

Druk op de testknop op de accu om de resterende acculading te zien. De indicatorlampjes branden gedurende enkele seconden.

Indicatorlampjes			Resterende acculading
Brandt	Uit	Knippert	
			75% tot 100%
			50% tot 75%
			25% tot 50%
			0% tot 25%
			Laad de accu op.
			Er kan een storing in de accu zijn opgetreden.

OPMERKING:

- Afhankelijk van de gebruiksomstandigheden en de omgevingstemperatuur, is het mogelijk dat de aangegeven acculading verschilt van de werkelijke acculading.

De zaagmethode kiezen (zie afb. 4)

Dit gereedschap kan worden ingesteld op een rechte (open neergaande) of pendelende zaagmethode. Bij de pendelende zaagmethode wordt het zaagblad naar voren geduwd tijdens de zaagslag waardoor de zaagsnelheid sterk toeneemt.

Om de zaagmethode te veranderen, draait u de zaagmethode-keuzehendel naar de gewenste zaagmethodestand. Raadpleeg de tabel om de juiste zaagmethode te kiezen.

Stand	Zaagactie	Toepassingen
0	Zagen zonder pendelslag	Voor het zagen van zacht staal, roestvrij staal en kunststoffen. Voor schone zaagsneden in hout en multiplex.
I	Zagen met kleine pendelslag	Voor het zagen van zacht staal, aluminium en hardhout.
II	Zagen met middelgrote pendelslag	Voor het zagen van hout en multiplex. For fast cutting in aluminum and mild steel.
III	Zagen met grote pendelslag	Voor het snel zagen van hout en multiplex.

006376

Werking van de aan/uit-schakelaar

⚠ LET OP:

- Controleer altijd, voordat u de accu in het gereedschap steekt, of de aan/uit-schakelaar op de juiste manier schakelt en weer terugkeert naar de uit-stand nadat deze is losgelaten (zie afb. 5).

Om het gereedschap in te schakelen:

Druk op de vergrendelknop om het gereedschap op standby te zetten. Hierdoor wordt tevens de lamp ingeschakeld.

Knijp de aan/uit-schakelaar in om het gereedschap in te schakelen. Laat de aan/uit-schakelaar los om het gereedschap te stoppen.

Om het gereedschap continu te laten werken, knijpt u de aan/uit-schakelaar in en drukt u vervolgens op de vastzetknop.

Om vanuit de vergrendelde werking het gereedschap te stoppen, knijpt u de aan/uit-schakelaar helemaal in en laat u deze vervolgens weer los.

Druk tijdens standby op de vergrendelknop om de lamp uit te schakelen en het gereedschap te vergrendelen.

OPMERKING:

- De vergrendelknop werkt niet tijdens het zagen.
- Terwijl het gereedschap standby staat, blijft de lamp branden.
- Als het gereedschap gedurende 10 seconden op standby blijft staan zonder bediend te worden, wordt

het gereedschap automatisch vergrendeld en gaat de lamp uit.

De lamp inschakelen

⚠ LET OP:

- Kijk niet rechtstreeks in de lamp of naar de bron van de lamp.

Druk op de vergrendelknop om de lamp in te schakelen. Om de lamp binnen 10 seconden uit te schakelen, drukt u nogmaals op de vergrendelknop.

OPMERKING:

- Gebruik een doek om het vuil van de lens van de lamp te vegen. Wees voorzichtig de lens van de lamp niet te bekassen om de lichtopbrengst niet te verlagen.
- Als het gereedschap oververhit raakt, begint de lamp te knippen. Laat het gereedschap afkoelen voordat u het weer bedient.

Snelheidsregelaar (zie afb. 6)

De snelheid van het gereedschap kan worden ingesteld door de snelheidsregelaar te draaien. Op stand 6 is de snelheid het hoogst en op stand 1 het laagst.

Zie de tabel om de juiste snelheid te kiezen voor het werkstuk dat u wilt zagen. De juiste snelheid is echter ook afhankelijk van de soort en de dikte van het werkstuk.

Over het algemeen kunt u op een hogere snelheid een werkstuk sneller zagen, maar gaat de levensduur van het zaagblad achteruit.

Te zagen werkstuk	Cijfer op snelheidsregelaar
Hout	4 - 6
Zacht staal	3 - 6
Roestvrij staal	3 - 4
Aluminium	3 - 6
Kunststof	1 - 4

013925

⚠ LET OP:

- U kunt de snelheidsregelaar alleen tot aan het cijfer 6 draaien en terug naar 1. Forceer de regelaar niet voorbij de 6 of de 1 omdat de snelheidsregeling daardoor defect kan raken.

OPMERKING:

- Als de snelheidsregelaar op 3 of hoger staat, verlaagt het gereedschap automatisch het onbelaste toerental om de trillingen in onbelaste toestand te verlagen. Zodra het gereedschap weer belast wordt, wordt de snelheid van het gereedschap verhoogd tot de ingestelde snelheid. Vervolgens handhaaft het gereedschap deze snelheid tot het wordt uitgeschakeld. Bij lage temperatuur wanneer het vet minder vloeibaar is, is het mogelijk dat deze functie niet werkt ondanks dat de motor draait.

ONDERDELEN AANBRENGEN EN VERWIJDEREN

⚠ LET OP:

- Controleer altijd of het gereedschap is uitgeschakeld en de accu is verwijderd alvorens enige werkzaamheden aan het gereedschap te verrichten.

Het zaagblad aanbrengen en verwijderen

LET OP:

- Verwijder altijd eerst alle houtsnippers en vreemde stoffen die aan het zaagblad en/of de zaagbladhouder kleven. Als u dat niet doet is het mogelijk dat het zaagblad onvoldoende wordt vastgeklemd, wat kan leiden tot ernstig persoonlijk letsel.
- Raak het zaagblad en het werkstuk niet onmiddellijk na gebruik aan. Zij kunnen bijzonder heet zijn en brandwonden op uw huid veroorzaken.
- Zet het zaagblad stevig vast. Als u dat niet doet, kan dat leiden tot ernstig persoonlijk letsel.
- Wees voorzichtig bij het verwijderen van het zaagblad dat u uw vingers niet bezeert aan de punt van het zaagblad of de uiteinden van het werkstuk (zie afb. 7).

Controleer voordat u het zaagblad probeert aan te brengen of de zaagbladhouder in de ontgrendelde stand staat.

Om het zaagblad aan te brengen, steekt u het zaagblad (met de tanden naar voren gericht) in de zaagbladhouder tot het wordt vergrendeld. De zaagbladhouder beweegt uit zichzelf naar de vergrendelde stand en het zaagblad is vergrendeld. Trek zacht aan het zaagblad om er zeker van te zijn dat het zaagblad er niet uitvalt tijdens gebruik.

LET OP:

- Open de gereedschapsopener niet overmatig ver omdat anders het gereedschap kan worden beschadigd (zie afb. 8).

Om het zaagblad te verwijderen, duwt u de gereedschapsopener zo ver mogelijk naar voren. Hierdoor wordt het zaagblad ontgrendeld.

OPMERKING:

- Smeer af en toe de rol.

Opbergplaats van de inbusleutel (zie afb. 9)

Wanneer u de inbusleutel niet gebruikt, bergt u deze op de plaats aangegeven in de afbeelding op, om te voorkomen dat deze wordt verloren.

Dekplaat (zie afb. 10)

Gebruik de dekplaat wanneer u zaagt in decoratieve dekragen, kunststoffen, enz. Hij beschermt gevoelige en delicate oppervlakken tegen beschadiging. Breng hem aan op de onderkant van de zool.

Antisplinterhulpstuk (zie afb. 11)

Voor zagen zonder splinters kunt u het antisplinterhulpstuk gebruiken. Om het antisplinterhulpstuk te monteren, zet u de zool in de voorste stand en brengt u het hulpstuk eerst aan op de achterrand van de zool. Als u de dekplaat gebruikt, brengt u het antisplinterhulpstuk aan op de dekplaat.

LET OP:

- Het antisplinterhulpstuk kan niet worden gebruikt bij verstekzagen.

Stofafzuiging

De stofafzuigaansluitmond (los verkrijgbaar) wordt aanbevolen om tijdens het zagen schoon te werken (zie afb. 12).

Om de stofafzuigaansluitmond op het gereedschap aan te brengen, steekt u de haak van de stofafzuigaansluitmond in het gat in de zool (zie afb. 13).

Om de stofafzuigaansluitmond vast te zetten, draait u de klemschroef voorop de stofafzuigaansluitmond aan.

De stofafzuigaansluitmond kan op de linker- of rechterkant van de zool worden aangebracht.

(zie afb. 14).

Sluit vervolgens een Makita-stofzuiger aan op de stofafzuigaansluitmond.

BEDIENING

LET OP:

- Houd de zool altijd vlak met het oppervlak van het werkstuk. Als u dat niet doet bestaat de kans dat het zaagblad breekt, wat kan leiden tot ernstig persoonlijk letsel.

OPMERKING:

- Als het gereedschap continu wordt bediend totdat de accu leeg is, laat u het gereedschap gedurende 15 minuten liggen alvorens verder te werken met een volle accu (zie afb. 15).

Schakel het gereedschap in zonder dat het zaagblad iets raakt en wacht tot het zaagblad op volle snelheid is. Plaats daarna de zool vlak op het werkstuk en beweeg het gereedschap rustig naar voren langs een eerder aangebrachte zaaglijn.

Als u in een bocht zaagt, beweegt u het gereedschap zeer langzaam vooruit.

Verstekzagen (zie afb. 16)

LET OP:

- Zorg er altijd voor dat het gereedschap is uitgeschakeld en de accu is verwijderd, voordat u de zool kantelt.

Met een gekantelde zool kunt u verstekzagen onder elke hoek tussen 0° en 45° (links of rechts) (zie afb. 17).

Om de zool te kantelen draait u de bout op de onderkant van de zool los met behulp van de inbusleutel. Verplaats de zool zodat de bout zich in het midden van de verstekgleuf in de zool bevindt (zie afb. 18).

Kantel de zool tot de gewenste verstekhoek is bereikt. De V-naad van het tandwielhuis geeft de verstekhoek aan op een schaalverdeling. Draai daarna de bout stevig vast om de zool vast te zetten.

Zaagsneden tot aan de voorrand (zie afb. 19)

Draai met de inbusleutel de bout op de onderkant van de zool los en schuif de zool helemaal naar achteren. Draai daarna de bout vast om de zool vast te zetten.

Uitsnijdingen

U kunt uitsnijdingen maken volgens methode A of B.

A) Een begingat boren: (zie afb. 20)

- Voor uitsnijdingen midden in een werkstuk zonder in te zagen vanaf de rand, boort u vooraf een gat met een diameter van 12 mm of meer. Steek het zaagblad in dit gat voordat u begint te zagen.

B) Blinde zaagsnede: (zie afb. 21)

- U hoeft geen begingat te boren of vanaf de rand in te zagen als u voorzichtig als volgt te werk gaat.
1. Kantel het gereedschap op de voorrand van de zool met de punt van het zaagblad vlak boven het oppervlak van het werkstuk.
 2. Oefen druk uit op het gereedschap zodat de voorrand van de zool niet beweegt wanneer u het gereedschap inschakelt, en laat de achterkant van het gereedschap voorzichtig zakken.
 3. Naarmate het zaagblad het werkstuk doorboort, laat u de zool van het gereedschap langzaam zakken tot op het oppervlak van het werkstuk.
 4. Maak de zaagsnede op de normale manier.

Randen afwerken (zie afb. 22)

Om randen af te werken of afmetingen iets bij te zagen, beweegt u het zaagblad licht langs de reeds gezaagde randen van het werkstuk.

Zagen van metaal

Gebruik tijdens het zagen van metaal altijd een geschikte koelvloeistof (zaagolie). Als u dat niet doet, zal het zaagblad sterk slijten. De onderkant van het werkstuk kan met vet worden ingesmeerd in plaats van een koelvloeistof te gebruiken.

Breedtegeleider (los verkrijgbaar)

⚠ LET OP:

- Zorg er altijd voor dat het gereedschap is uitgeschakeld en de accu is verwijderd, voordat u accessoires aanbrengt of verwijdt.

1. Rechte zaagsneden (zie afb. 23)

Als u herhaaldelijk een breedte van minder dan 160 mm moet afzagen, kunt u door de breedtegeleider te gebruiken snel, schoon en recht zagen (zie afb. 24). Om hem aan te brengen steekt u de breedtegeleider in de rechthoekige opening in de zijkant van de zool met de geleider omlaag gericht. Schuif de breedtegeleider naar de gewenste zaagbreedte en draai daarna de bout vast om hem vast te zetten.

2. Cirkelvormige zaagsneden (zie afb. 25 en 26)

Als u cirkels of bogen met een straal van 170 mm of minder wilt zagen, brengt u de breedtegeleider als volgt aan.

1. Steek de breedtegeleider in de rechthoekige opening in de zijkant van de zool met de geleider omhoog gericht. Steek de cirkelgeleider in een van de twee gaten in de geleider. Draai de knop met schroefdraad op de pen om deze vast te zetten.
2. Schuif vervolgens de breedtegeleider naar de gewenste zaagstraal en draai de bout vast om hem vast te zetten. Beweeg tenslotte de zool helemaal naar voren.

OPMERKING:

- Gebruik altijd zaagbladen nr. B-17, B-18, B-26 of B-27 voor het zagen van cirkels of bogen.

Geleiderailadapter (los verkrijgbaar) (zie afb. 27)

Als u een parallelle en uniforme breedte of recht wilt zagen, kunt u door de geleiderail en geleiderailadapter te gebruiken snelle en schone zaagsneden produceren. Om de geleiderailadapter aan te brengen, steekt u de liniaal zo ver mogelijk in de rechthoekige opening in de zijkant van de zool. Draai de bout stevig vast met de inbussleutel (zie afb. 28).

Monteer de geleiderailadapter op de rail van de geleiderail. Steek de liniaal in de rechthoekige opening in de geleiderailadapter. Plaats de zool langs de zijkant van de geleiderail en draai de bout stevig vast (zie afb. 29).

⚠ LET OP:

- Gebruik altijd zaagbladen nr. B-8, B-13, B-16, B-17 of 58 wanneer u de geleiderail en de geleiderailadapter gebruikt.

ONDERHOUD

⚠ LET OP:

- Zorg er altijd voor dat de machine is uitgeschakeld en de accu is verwijderd, voordat u een inspectie of onderhoud uitvoert.
- Gebruik nooit benzine, wasbenzine, thinner, alcohol, enz. Dit kan leiden tot verkleuren, vervormen of barsten.

Om de VEILIGHEID en BETROUWBAARHEID van het gereedschap te handhaven, dienen alle reparaties, onderhoud en afstellingen te worden uitgevoerd door een erkend Makita-servicecentrum, en altijd met gebruikmaking van originele Makita-ervangingsonderdelen.

VERKRIJGBARE ACCESSOIRES

⚠ LET OP:

- Deze accessoires of hulpstukken worden aanbevolen voor gebruik met het Makita-gereedschap dat in deze gebruiksaanwijzing wordt beschreven. Het gebruik van andere accessoires of hulpstukken kan gevaar voor persoonlijk letsel opleveren. Gebruik de accessoires of hulpstukken uitsluitend voor de aangegeven gebruiksdoeleinden.

Mocht u meer informatie willen hebben over deze accessoires, dan kunt u contact opnemen met uw plaatselijke Makita-servicecentrum.

- Decoupeerzaagbladen
- Inbussleutel 4
- Breedtegeleider (liniaal), set
- Geleiderailadapter, set
- Geleiderail, set
- Antisplinterhulpstuk
- Dekplaat
- Stofafzuigaansluitmond, compleet
- Originele Makita-accu en -lader

OPMERKING:

- Sommige items op de lijst kunnen zijn inbegrepen in de doos van het gereedschap als standaard toebehoren. Zij kunnen van land tot land verschillen.

Geluid

ENG905-1

De typische, A-gewogen geluidsniveaus zijn gemeten volgens EN62841-2-11:

Model DJV142

Geluidsdrukniveau (L_{pA}): 78 dB (A)

Onzekerheid (K): 3 dB (A)

Het geluidsniveau kan tijdens gebruik hoger worden dan 80 dB (A).

Model DJV182

Geluidsdrukniveau (L_{pA}): 77 dB (A)

Onzekerheid (K): 3 dB (A)

Het geluidsniveau kan tijdens gebruik hoger worden dan 80 dB (A).

ENG907-1

- De opgegeven geluidsemissiewaarde(n) is/zijn gemeten volgens een standaardtestmethode en kan/kunnen worden gebruikt om dit gereedschap te vergelijken met andere gereedschappen.
- De opgegeven geluidsemissiewaarde(n) kan/kunnen ook worden gebruikt voor een beoordeling vooraf van de blootstelling.

WAARSCHUWING:

- **Draag gehoorbescherming.**
- **De geluidsemissie tijdens het gebruik van het elektrisch gereedschap in de praktijk kan verschillen van de opgegeven waarde(n) afhankelijk van de manier waarop het gereedschap wordt gebruikt, met name van het soort werkstuk waarmee wordt gewerkt.**
- **Zorg ervoor dat veiligheidsmaatregelen worden getroffen ter bescherming van de gebruiker die zijn gebaseerd op een schatting van de blootstelling onder praktijkomstandigheden (rekening houdend met alle fasen van de bedrijfscyclus, zoals de tijdsduur gedurende welke het gereedschap is uitgeschakeld en stationair draait, naast de ingeschakelde tijdsduur).**

Trillingen

ENG900-1

De totale trillingswaarde (triaxiale vectorsom) zoals vastgesteld volgens EN62841-2-11:

Model DJV142

Gebruikstoepassing: zagen van platen

Trillingsemissie ($a_{h,B}$): 7,0 m/s²

Onzekerheid (K): 1,5 m/s²

Gebruikstoepassing: zagen van plaatstaal

Trillingsemissie ($a_{h,M}$): 4,0 m/s²

Onzekerheid (K): 1,5 m/s²

Model DJV182

Gebruikstoepassing: zagen van platen

Trillingsemissie ($a_{h,B}$): 7,0 m/s²

Onzekerheid (K): 1,5 m/s²

Gebruikstoepassing: zagen van plaatstaal

Trillingsemissie ($a_{h,M}$): 3,5 m/s²

Onzekerheid (K): 1,5 m/s²

ENG901-2

- De totale trillingswaarde(n) is/zijn gemeten volgens een standaardtestmethode en kan/kunnen worden gebruikt

om dit gereedschap te vergelijken met andere gereedschappen.

- De opgegeven totale trillingswaarde(n) kan/kunnen ook worden gebruikt voor een beoordeling vooraf van de blootstelling.

WAARSCHUWING:

- **De trillingsemissie tijdens het gebruik van het elektrisch gereedschap in de praktijk kan verschillen van de opgegeven waarde(n) afhankelijk van de manier waarop het gereedschap wordt gebruikt, met name van het soort werkstuk waarmee wordt gewerkt.**
- **Zorg ervoor dat veiligheidsmaatregelen worden getroffen ter bescherming van de gebruiker die zijn gebaseerd op een schatting van de blootstelling onder praktijkomstandigheden (rekening houdend met alle fasen van de bedrijfscyclus, zoals de tijdsduur gedurende welke het gereedschap is uitgeschakeld en stationair draait, naast de ingeschakelde tijdsduur).**

EU-verklaring van conformiteit

Alleen voor Europese landen

De EU-verklaring van conformiteit is opgenomen als Bijlage A in deze instructiehandleiding.

ESPAÑOL (Instrucciones originales)

Explicación de los dibujos

- | | | |
|--|-------------------------------------|-----------------------------------|
| 1. Indicador rojo | 13. Posición liberada | 26. Muesca en V |
| 2. Botón | 14. Hoja de sierra caladora | 27. Alojamiento del engranaje |
| 3. Cartucho de la batería | 15. Base | 28. Orificio de inicio |
| 4. Marca de estrella | 16. Llave hexagonal | 29. Tope lateral |
| 5. Luces indicadoras | 17. Placa de cobertura | 30. Tope de guía |
| 6. Botón de comprobación | 18. Dispositivo contra el astillado | 31. Pomo con rosca |
| 7. Palanca de cambio de la acción de corte | 19. Boquilla para el polvo | 32. Pivote de la guía circular |
| 8. Interruptor de bloqueo | 20. Tornillo de apriete | 33. Barra de regla |
| 9. Interruptor disparador | 21. Manguera para la aspiradora | 34. Adaptador para carril de guía |
| 10. Botón de bloqueo | 22. Línea de corte | 35. Tornillo |
| 11. Dial de ajuste de velocidad | 23. Perno | 36. Carril de guía |
| 12. Posición fija | 24. Ranura de bisel | |
| | 25. Graduaciones | |

ESPECIFICACIONES

Modelo	DJV142	DJV182
Longitud de carrera	26 mm	26 mm
Capacidad máxima de corte	Madera	135 mm
	Acero dulce	10 mm
	Aluminio	20 mm
Carreras por minuto (min ⁻¹)	800 - 3.500	800 - 3.500
Longitud total	264 mm	266 mm
Peso neto	2,3 - 2,6 kg	2,4 - 2,7 kg
Tensión nominal	CC 14,4 V	CC 18 V

- Debido a nuestro programa continuo de investigación y desarrollo, las especificaciones aquí descritas están sujetas a cambios sin previo aviso.
- Las especificaciones pueden ser diferentes de un país a otro.
- El peso puede diferir en función de los accesorios, incluyendo el cartucho de la batería. En la tabla se muestran la combinación más ligera y la más pesada, de acuerdo con el Procedimiento EPTA 01/2014.

Cargador y cartucho de la batería aplicable

Cartucho de la batería	CC de 14,4V Modelo	BL1415N/BL1430/BL1430B/BL1440/BL1450/BL1460B
	CC de 18V Modelo	BL1815N/BL1820/BL1820B/BL1830/BL1830B/BL1840/BL1840B/BL1850/BL1850B/BL1860B
Cargador		DC18RC/DC18RD/DC18RE/DC18SD/DC18SE/DC18SF

- Es posible que algunos de los cartuchos de la batería y los cargadores que se muestran más arriba no estén disponibles, en función de su región de residencia.

ADVERTENCIA:

- **Utilice solo los cartuchos de la batería y los cargadores que se muestran más arriba.** El uso de cualquier otro cartucho de la batería y otros cargadores puede crear un riesgo de lesiones y/o incendio.

Uso previsto

La herramienta se ha diseñado para serrar madera, plástico y materiales metálicos. Gracias a la gran variedad de accesorios y tipos de hojas de sierra para diversos usos, esta herramienta puede utilizarse para muchas tareas y es muy apropiada para realizar cortes curvados y circulares.

ENE019-1

Advertencias de seguridad para herramientas eléctricas en general

GEA010-2

- **ADVERTENCIA: Lea todas las advertencias de seguridad, instrucciones, ilustraciones y especificaciones provistas con esta herramienta eléctrica.** Si no sigue todas las instrucciones indicadas abajo podrá resultar en una descarga eléctrica, un incendio y/o heridas graves.

Guarde todas las advertencias e instrucciones para futuras referencias.

El término "herramienta eléctrica" en las advertencias se refiere a su herramienta eléctrica de funcionamiento con conexión a la red eléctrica (con cable) o herramienta eléctrica de funcionamiento a batería (sin cable).

Advertencias de seguridad para la sierra caladora inalámbrica GEB187-1

1. Cuando realice una operación en la que el accesorio de corte pueda entrar en contacto con cableado oculto, sujete la herramienta eléctrica por las superficies de asimiento aisladas. El contacto del accesorio de corte con un cable con corriente puede hacer que la corriente circule por las partes metálicas expuestas de la herramienta eléctrica y soltar una descarga eléctrica al operario.
2. Utilice mordazas u otros medios de sujeción prácticos para sujetar y apoyar la pieza de trabajo en una plataforma estable. Sujetada con la mano o contra su cuerpo, la pieza de trabajo estará inestable y podrá ocasionar la pérdida del control.
3. Utilice siempre gafas de seguridad o gafas de protección. Las gafas normales o de sol NO son gafas de seguridad.
4. Evite cortar clavos. Inspeccione la pieza de trabajo por si tiene algún clavo y retírelos antes de empezar la operación.
5. No corte piezas de trabajo sobredimensionadas.
6. Compruebe que hay espacio suficiente debajo de la pieza de trabajo antes de cortar, de forma que la hoja de sierra no golpee contra el suelo, el banco de trabajo, etc.
7. Sujete la herramienta firmemente.
8. Asegúrese de que la hoja de sierra no está tocando la pieza de trabajo antes de activar el interruptor.
9. Mantenga las manos alejadas de las partes en movimiento.
10. No deje la herramienta en marcha. Opere la herramienta solamente cuando la tenga sujetada con las manos.
11. Apague siempre la herramienta y espere hasta que la hoja de sierra se haya parado completamente antes de retirar la hoja de sierra de la pieza de trabajo.
12. No toque la hoja de sierra o la pieza de trabajo inmediatamente después de la operación; podrán estar muy calientes y quemarle la piel.
13. No utilice la herramienta sin carga innecesariamente.
14. Algunos materiales contienen sustancias químicas que podrán ser tóxicas. Tenga precaución para evitar la inhalación de polvo y el contacto con la piel. siga los datos de seguridad del abastecedor del material.
15. Utilice siempre la mascarilla contra el polvo/respirador correcto para el material y la aplicación con que esté trabajando.

GUARDE ESTAS INSTRUCCIONES.

ADVERTENCIA:

NO deje que la comodidad o familiaridad con el producto (a base de utilizarlo repetidamente) sustituya la estricta observancia de las normas de seguridad para el producto en cuestión. El MAL USO o el no seguir las normas de seguridad establecidas en este manual de instrucciones podrá ocasionar graves heridas personales.

INSTRUCCIONES DE SEGURIDAD IMPORTANTES PARA EL CARTUCHO DE BATERÍA ENC007-12

1. Antes de utilizar el cartucho de la batería, lea todas las instrucciones y referencias de precaución que se encuentran en (1) el cargador de baterías, (2) la batería y (3) el producto que utiliza la batería.
2. No desmonte el cartucho de la batería.
3. Si el tiempo de funcionamiento es excesivamente corto, deje de utilizar la herramienta de inmediato. De lo contrario, existe el riesgo de sobrecalentamiento, quemaduras e incluso explosión.
4. Si se produce contacto ocular con electrolito, enjuáguese los ojos con agua limpia y acuda de urgencia al médico. Corre el riesgo de perder la visión.
5. No cortocircuite el cartucho de la batería:
 - (1) No toque los terminales con material conductor.
 - (2) Evite guardar el cartucho de la batería en un recipiente con otros objetos metálicos, como clavos, monedas, etc.
 - (3) No exponga el cartucho de la batería al agua o a la lluvia.

Un cortocircuito puede provocar un elevado flujo de corriente, sobrecalentamiento, quemaduras o incluso una avería.

6. No almacene la herramienta ni el cartucho de la batería en lugares donde la temperatura supere los 50 °C (122 °F).
7. No queme el cartucho de la batería aunque esté gravemente dañado o completamente gastado. El cartucho de la batería puede explotar si entra en contacto con fuego.
8. Procure que la batería no sufra golpes ni caídas.
9. No utilice una batería dañada.
10. Las baterías de litio-ion contenidas están sujetas a los requisitos de la Legislación para Materiales Peligrosos.

Para transportes comerciales, p.ej., por terceras personas y agentes de transportes, se deberán observar requisitos especiales para el empaquetado y etiquetado.

Para la preparación del artículo que se va a enviar, se requiere consultar con un experto en materiales peligrosos. Por favor, observe también la posibilidad de reglamentos nacionales más detallados.

Cubra con cinta aislante o enmascare los contactos

expuestos y empaquete la batería de tal manera que no se pueda mover alrededor dentro del embalaje.

11. **Siga las normativas locales relativas al desecho de la batería.**
12. **Utilice las baterías solo con los productos especificados por Makita.** La instalación de las baterías en productos no compatibles puede provocar un incendio, un calor excesivo, una explosión o fuga de electrolitos.

GUARDE ESTAS INSTRUCCIONES.

⚠ PRECAUCIÓN: Utilice solamente baterías genuinas de Makita.

La utilización de baterías no genuinas de Makita, o baterías que han sido alteradas, puede resultar en una explosión de la batería ocasionando incendios, heridas personales y daños. También anulará la garantía de Makita para la herramienta y el cargador de Makita.

Consejos para conseguir una mayor duración de la batería

1. **Cargue la batería antes de que se descargue por completo.**
Cuando observe que la herramienta tiene menos potencia, deje de utilizarla y cargue el cartucho de la batería.
2. **No recargue nunca un cartucho de batería completamente cargado.**
La sobrecarga acorta la vida útil de la batería.
3. **Cargue el cartucho de la batería a una temperatura ambiente que oscile entre 10 °C y 40 °C (50 °F - 104 °F).** Antes de cargar un cartucho de batería caliente, deje que se enfríe.
4. **Cargue el cartucho de la batería si no lo ha utilizado durante un periodo prolongado (más de seis meses).**

DESCRIPCIÓN DEL FUNCIONAMIENTO

⚠ PRECAUCIÓN:

- Antes de ajustar o de comprobar la herramienta, asegúrese siempre de que está apagada y de que la batería ha sido extraída.

Instalación o extracción del cartucho de la batería (Fig. 1)

⚠ PRECAUCIÓN:

- Apague siempre la herramienta antes de instalar o extraer el cartucho de la batería.
- **Sujete la herramienta y el cartucho de la batería firmemente cuando instale o extraiga el cartucho de la batería.** Si no sujeta la herramienta y el cartucho de la batería firmemente, pueden resbalar de sus manos y pueden producirse daños en la herramienta o el cartucho de la batería, así como lesiones personales.

Para quitar el cartucho de la batería, mantenga pulsado el botón de la parte frontal del cartucho y retírelo.

Para instalar el cartucho de la batería, alinee la lengüeta situada en el cartucho de la batería con la ranura del alojamiento e insértela. Insértelo completamente hasta que quede firmemente encajado con un clic. Si puede ver el indicador rojo de la zona superior del botón, significa que el cartucho no está encajado completamente.

⚠ PRECAUCIÓN:

- Instale siempre completamente el cartucho de la batería de forma que el indicador rojo quede oculto. De lo contrario, el cartucho puede desprenderse accidentalmente de la herramienta y causar lesiones al operario o a alguna persona que se encuentre cerca.
- No presione excesivamente el cartucho de la batería para instalarlo. Si el cartucho no entra con suavidad, significa que no lo está instalando correctamente.

Sistema de protección de la batería (batería de iones de litio con una marca de estrella) (Fig. 2)

Las baterías de iones de litio con una marca de estrella están equipadas con un sistema de protección. Este sistema corta automáticamente la alimentación a la herramienta para ampliar la duración de la batería.

El funcionamiento de la herramienta se detendrá automáticamente si la herramienta y/o la batería están sometidas a las siguientes condiciones:

- Sobrecarga:

La herramienta se utiliza de una forma que hace que consuma una cantidad anómalamente alta de corriente.

En ese caso, suelte el interruptor disparador de la herramienta y detenga la aplicación que provocaba que la herramienta se sobrecargara. A continuación, vuelva a pulsar el interruptor disparador para volver a ponerla en marcha.

Si la herramienta no consigue ponerse en marcha, la batería se ha sobrecalentado. En esta situación, deje que la batería se enfríe antes de volver a pulsar el interruptor disparador.

- Tensión de la batería baja:

La capacidad restante de la batería es demasiado baja y la herramienta no funcionará. En ese caso, extraiga y recargue la batería.

Indicación de la capacidad restante de la batería

Solamente para cartuchos de batería con el indicador (Fig. 3)

Presione el botón de comprobación en el cartucho de batería para indicar la capacidad de batería restante. Las luces indicadoras se encienden durante unos segundos.

Luces indicadoras			Capacidad restante
Iluminada	Apagado	Parpadea	
■	□	▧	
■ ■ ■ ■			75% a 100%
■ ■ ■ □			50% a 75%
■ ■ □ □			25% a 50%
■ □ □ □			0% a 25%
▧ □ □ □			Cargue la batería.
■ ■ □ □	↑ ↓	■ ■	Es posible que la batería se haya averiado.

NOTA:

- En función de las condiciones de uso y de la temperatura ambiente, la indicación puede diferir ligeramente de la capacidad real.

Selección de la acción de corte (Fig. 4)

Esta herramienta se puede utilizar con una acción de corte orbital o de línea recta (arriba y abajo). La acción de corte orbital empuja la hoja de sierra hacia delante en el recorrido de corte y aumenta en gran medida la velocidad de corte.

Para cambiar la acción de corte, solamente tiene que desplazar la palanca de cambio de acción de corte a la posición de acción de corte que desee. Consulte la tabla para seleccionar la acción de corte adecuada.

Posición	Acción de corte	Aplicaciones
0	Acción de corte de línea recta	Para cortar acero dulce, acero inoxidable y plásticos. Para cortes limpios en madera y contrachapado.
I	Acción de corte orbital pequeño	Para cortar acero dulce, aluminio y madera dura.
II	Acción de corte orbital medio	Para cortar madera y contrachapado. Para el corte rápido de aluminio y acero dulce.
III	Acción de corte orbital grande	Para el corte rápido de madera y contrachapado.

006376

Acción del interruptor

⚠ PRECAUCIÓN:

- Antes de insertar el cartucho de la batería en la herramienta, asegúrese siempre de que el interruptor disparador funciona como es debido y que vuelve a la posición "OFF" (apagado) al soltarlo. (Fig. 5)

Para poner en marcha la herramienta:

Pulse el interruptor de bloqueo para poner la herramienta en modo de espera. También se encenderá la lámpara. Apriete el interruptor disparador para poner en marcha la herramienta. Suelte el interruptor disparador para detener la herramienta.

Para un uso continuo, tire del interruptor disparador y después pulse el botón de bloqueo.

Para detener la herramienta desde la posición de bloqueo, tire totalmente del interruptor disparador y suéltelo.

En el modo de espera, pulse el interruptor de bloqueo para apagar la lámpara y poner la herramienta en modo de bloqueo.

NOTA:

- El interruptor de bloqueo no actúa durante la operación de corte.
- Cuando la herramienta esté en modo de espera, la lámpara seguirá encendida.
- Si la herramienta se deja 10 segundos sin realizar operaciones en el modo de espera, entra automáticamente en el modo de bloqueo y la lámpara se apaga.

Encendido de las lámparas

⚠ PRECAUCIÓN:

- No mire hacia la lámpara ni mire directamente hacia la fuente de la lámpara.

Para encender la lámpara, pulse el interruptor de bloqueo.

Para apagar la lámpara en 10 segundos, vuelva a pulsar el interruptor de bloqueo.

NOTA:

- Utilice un paño seco para limpiar la suciedad del cristal de la lámpara. Procure no rayar el cristal de la lámpara, puesto que puede disminuir el grado de iluminación.
- Si la herramienta se sobrecalienta, la luz parpadeará. Deje que la herramienta se enfríe antes de reanudar las operaciones.

Dial de ajuste de velocidad (Fig. 6)

La velocidad de la herramienta se puede ajustar de forma infinita girando el dial de ajuste de velocidad. Puede obtener la velocidad más alta en la posición 6 y la más baja en 1.

Consulte la tabla para seleccionar la velocidad adecuada para la pieza de trabajo que va a cortar. No obstante, la velocidad adecuada puede ser distinta en función del tipo o grosor de la pieza de trabajo. En general, cuanto mayor sea la velocidad, más rápido se cortarán las piezas de trabajo, pero se reducirá la vida útil de la hoja de sierra.

Pieza de trabajo que se cortará	Número del dial de ajuste
Madera	4 - 6
Acero dulce	3 - 6
Acero inoxidable	3 - 4
Aluminio	3 - 6
Plásticos	1 - 4

013925

⚠ PRECAUCIÓN:

- El dial de ajuste de velocidad puede girarse hasta 6 y de vuelta hasta 1 solamente. No lo fuerce más allá de 6 ó 1, o la función de ajuste de velocidad podrá dejar de funcionar.

NOTA:

- Cuando el dial de ajuste de velocidad esté en 3 o un valor superior, la herramienta reducirá automáticamente la velocidad en vacío para reducir la vibración cuando en vacío. Cuando la herramienta se someta a una carga, la herramienta alcanzará la velocidad preestablecida. A continuación, la herramienta mantiene la velocidad hasta que se apaga. Cuando la temperatura sea baja y la grasa sea menos fluida, es posible que la herramienta no tenga esta función aunque gire el motor.

MONTAJE

⚠ PRECAUCIÓN:

- Asegúrese siempre de apagar la herramienta y extraer el cartucho de la batería antes de intentar realizar cualquier tipo de operación en la herramienta.

Instalación o desmontaje de la hoja de sierra

⚠ PRECAUCIÓN:

- Elimine siempre todas las virutas o materias extrañas que se hayan quedado adheridas a la hoja de sierra y/o al portahojas. De lo contrario, quizás no se pueda apretar bien la hoja de sierra y se puedan producir heridas personales graves.
- No toque la cuchilla ni la pieza de trabajo inmediatamente después de realizar un corte; pueden estar extremadamente calientes y producir quemaduras en la piel.
- Apriete bien la hoja de sierra. De lo contrario, pueden producirse heridas graves.
- Al extraer la hoja de sierra, procure no herirse los dedos con el extremo de la hoja de sierra o con las rebabas de la pieza de trabajo. **(Fig. 7)**

Antes de instalar la hoja de sierra, asegúrese de que el portahojas esté en la posición liberada.

Para instalar la hoja de sierra, inserte la hoja (con los dientes mirando hacia delante) en el portahojas hasta que quede encajada. El portahojas se mueve a la posición fija por sí mismo y la hoja se bloquea. Tire ligeramente de la hoja para asegurarse de que no caiga durante las operaciones.

⚠ PRECAUCIÓN:

- No abra en exceso el mecanismo de apertura de la herramienta, ya que puede dañarla. **(Fig. 8)**

Para extraer la hoja, empuje el mecanismo de apertura de la herramienta hacia delante lo máximo posible. Esto permite liberar la hoja.

NOTA:

- Lubrique el rodillo de vez en cuando.

Almacenamiento de la llave hexagonal (Fig. 9)

Cuando no la utilice, guarde la llave hexagonal como se muestra en la figura para evitar que se pierda.

Placa de cobertura (Fig. 10)

Utilice la placa de cobertura cuando corte chapas decorativas, plásticos, etc. Protege las superficies sensibles o delicadas de daños. Encájela en la parte posterior de la base de la herramienta.

Dispositivo contra el astillado (Fig. 11)

Para lograr cortes sin astillas, se puede utilizar el dispositivo contra el astillado. Para instalar el dispositivo contra el astillado, mueva la base de la herramienta completamente hacia delante y encájela desde la parte posterior de la base de la herramienta. Cuando utilice la placa de cobertura, instale el dispositivo contra el astillado en la placa de cobertura.

⚠ PRECAUCIÓN:

- El dispositivo contra el astillado no se puede utilizar cuando se realizan cortes en bisel.

Extracción de polvo

Se recomienda usar la boquilla para el polvo (accesorio opcional) para realizar operaciones de corte limpias. **(Fig. 12)**

Para acoplar la boquilla para el polvo en la herramienta, inserte el gancho de la boquilla para el polvo en el orificio de la base. **(Fig. 13)**

Para fijar la boquilla para el polvo, atornille el tornillo de apriete de la parte frontal de la boquilla para el polvo. La boquilla para el polvo puede instalarse tanto en el lado izquierdo como en el lado derecho de la base. **(Fig. 14)** A continuación, conecte una aspiradora Makita a la boquilla de polvo.

FUNCIONAMIENTO

⚠ PRECAUCIÓN:

- Sujete siempre la base de la herramienta plana contra la pieza de trabajo. En caso contrario, la hoja de sierra podría romperse y producirse heridas graves.

NOTA:

- Si la herramienta se utiliza continuamente hasta que el cartucho de la batería se descarga, deje reposar la herramienta durante 15 minutos antes de continuar con una batería cargada. **(Fig. 15)**

Encienda la herramienta sin que la hoja de sierra entre en contacto con ninguna pieza y espere hasta que la hoja de sierra alcance la velocidad máxima. Luego, apoye la base de la herramienta plana sobre la pieza de trabajo hacia delante siguiendo la línea de corte marcada previamente. Cuando corte curvas, haga que la herramienta avance lentamente.

Corte en bisel (Fig. 16)

PRECAUCIÓN:

- Asegúrese siempre de que la herramienta esté apagada y de que se haya extraído el cartucho de la batería antes de inclinar la base.

Inclinando la base, podrá hacer cortes en bisel a cualquier ángulo comprendido entre 0° y 45° (izquierdo o derecho). (Fig. 17)

Para inclinar la base, afloje el perno de la parte posterior de la base con la llave hexagonal. Mueva la base de forma que el perno esté colocado en el centro de la ranura de bisel de la base. (Fig. 18)

Incline la base hasta obtener el ángulo de bisel deseado. La muesca en V del alojamiento del engranaje indica el ángulo de bisel en graduaciones. A continuación, apriete el perno firmemente para fijar la base.

Cortes con tope en la parte delantera (Fig. 19)

Afloje el perno de la parte posterior de la base con la llave hexagonal y deslice la base lo máximo hacia atrás. A continuación, apriete el perno para fijar la base.

Cortes de abertura

Los cortes de abertura se pueden realizar con cualquiera de los dos métodos A o B descritos a continuación.

A) Perforación de un orificio de inicio: (Fig. 20)

- Para realizar un corte de abertura interno sin un corte de inicio desde el borde, perforo un orificio de inicio de 12 mm o más de diámetro. Para iniciar el corte, inserte la hoja de sierra en este agujero.

B) Corte calado: (Fig. 21)

- Si sigue las instrucciones siguientes no necesitará perforar un orificio de inicio ni un corte desde el borde.
1. Incline la herramienta hacia delante sobre el borde delantero de la base con la punta de la hoja situada justo por encima de la superficie de la pieza de trabajo.
 2. Aplique presión sobre la herramienta para que el borde delantero de la base no se mueva cuando ponga en marcha la herramienta y, con mucho cuidado, baje gradualmente la parte posterior de la herramienta.
 3. A medida que la hoja vaya penetrando en la pieza de trabajo, baje gradualmente la base de la herramienta hasta la superficie de la pieza de trabajo.
 4. Complete el corte de manera normal.

Acabado de bordes (Fig. 22)

Para suavizar bordes o hacer ajustes dimensionales, pase la hoja de sierra ligeramente a lo largo de los bordes cortados.

Corte de metales

Para cortar metal, utilice siempre un líquido refrigerante adecuado (lubricante para corte). De lo contrario, la hoja de sierra puede desgastarse más de lo normal. En lugar de utilizar un refrigerante, puede engrasar la parte inferior de la pieza de trabajo.

Conjunto de tope lateral (accesorio opcional)

PRECAUCIÓN:

- Asegúrese siempre de que la herramienta esté apagada y de que se haya extraído el cartucho de la batería antes de instalar o extraer los accesorios.

1. Cortes rectos (Fig. 23)

Si realizar de forma repetida cortes de 160 mm de grosor o menos, utilice el tope lateral para lograr cortes rectos de forma rápida y sencilla. (Fig. 24)

Para su instalación, inserte el tope lateral en el orificio rectangular del lado de la base de la herramienta con el tope de guía mirando hacia abajo. Deslice el tope lateral hasta la posición de ancho de corte que desee y, a continuación, apriete el perno para fijarlo.

2. Cortes circulares (Fig. 25 y 26)

Cuando corte círculos o arcos de 170 mm o menos de radio, instale el tope lateral de la siguiente manera.

1. Inserte el tope lateral en el orificio rectangular del lado de la base con el tope de guía mirando hacia arriba. Inserte el pivote de la guía circular a través de cualquiera de los dos orificios en el tope de guía. Atornille el pomo con rosca en el eje para fijar el pivote.
2. Ahora deslice el tope lateral hasta el radio de corte que desee y apriete el perno para fijarlo en su posición. A continuación, mueva la base completamente hacia delante.

NOTA:

- Utilice siempre hojas de sierra N° B-17, B-18, B-26 o B-27 cuando corte círculos o arcos.

Conjunto adaptador para carril de guía (accesorio opcional) (Fig. 27)

Cuando corte un ancho paralelo y uniforme o corte recto, el uso del carril de guía y el adaptador para carril de guía garantizará que se realicen cortes rápidos y limpios.

Para instalar el adaptador para carril de guía, inserte la barra de regla en el orificio cuadrado de la base lo máximo posible. Fije el perno con la llave hexagonal firmemente. (Fig. 28)

Instale el adaptador para carril de guía en carril del carril de guía. Inserte la barra de regla en el orificio cuadrado del adaptador para el carril de guía. Coloque la base en el lateral del carril de guía y fije el perno firmemente. (Fig. 29)

PRECAUCIÓN:

- Utilice siempre las hojas N° B-8, B-13, B-16, B-17 o 58 cuando utilice el carril de guía y el adaptador para el carril de guía.

MANTENIMIENTO

PRECAUCIÓN:

- Asegúrese de apagar siempre la herramienta y extraer el cartucho de la batería antes de intentar realizar cualquier trabajo de inspección o mantenimiento en ella.
- Nunca utilice gasolina, benceno, disolvente, alcohol o un producto similar. Se puede provocar una decoloración, una deformación o grietas.

Para mantener la SEGURIDAD y la FIABILIDAD del producto, las reparaciones y cualquier otra tarea de mantenimiento o ajuste deberán ser realizadas en centros de servicio autorizados por Makita, utilizando siempre repuestos Makita.

ACCESORIOS OPCIONALES

PRECAUCIÓN:

- Se recomienda el uso de estos accesorios o complementos con la herramienta Makita especificada en este manual. El uso de otros accesorios o complementos puede conllevar el riesgo de ocasionar daños corporales. Utilice los accesorios o complementos solamente para su fin establecido.

Si necesita cualquier ayuda para obtener más información relativa a estos accesorios, pregunte a su centro de servicio Makita local.

- Hojas de sierra caladora
- Llave hexagonal 4
- Conjunto de tope lateral (regla de guía)
- Conjunto adaptador para carril de guía
- Conjunto de carril de guía
- Dispositivo contra el astillado
- Placa de cobertura
- Conjunto de la boquilla para el polvo
- Batería y cargador originales de Makita

NOTA:

- Algunos elementos de la lista se pueden incluir en el paquete de la herramienta como accesorios estándar. Pueden ser diferentes de un país a otro.

Ruido ENG905-1
Niveles típicos de ruido ponderado A determinados conforme a EN62841-2-11:

Modelo DJV142

Nivel de presión de sonido (L_{pA}): 78 dB (A)

Incertidumbre (K): 3 dB (A)

El nivel de ruido durante el trabajo puede superar los 80 dB (A).

Modelo DJV182

Nivel de presión de sonido (L_{pA}): 77 dB (A)

Incertidumbre (K): 3 dB (A)

El nivel de ruido durante el trabajo puede superar los 80 dB (A).

ENG907-1

- El valor (o los valores) de emisión de ruido declarado ha sido medido de acuerdo con un método de prueba estándar y se puede utilizar para comparar una herramienta con otra.
- El valor (o valores) de emisión de ruido declarado también se puede utilizar en una valoración preliminar de exposición.

ADVERTENCIA:

- **Póngase protectores para oídos.**
- **La emisión de ruido durante la utilización real de la herramienta eléctrica puede variar del valor (o los valores) de emisión declarado dependiendo de las formas en las que la herramienta sea utilizada, especialmente qué tipo de pieza de trabajo se procesa.**

- **Asegúrese de identificar medidas de seguridad para proteger al operario que estén basadas en una estimación de la exposición en las condiciones reales de utilización (teniendo en cuenta todas las partes del ciclo operativo como las veces cuando la herramienta está apagada y cuando está funcionando en vacío además del tiempo de gatillo).**

Vibración ENG900-1

Valor total de la vibración (suma de vectores triaxiales) determinado según el estándar EN62841-2-11:

Modelo DJV142

Modo de trabajo: corte de tablas

Emisión de vibraciones ($a_{h,B}$): 7,0 m/s²

Incertidumbre (K): 1,5 m/s²

Modo de trabajo: corte de metal laminado

Emisión de vibraciones ($a_{h,M}$): 4,0 m/s²

Incertidumbre (K): 1,5 m/s²

Modelo DJV182

Modo de trabajo: corte de tablas

Emisión de vibraciones ($a_{h,B}$): 7,0 m/s²

Incertidumbre (K): 1,5 m/s²

Modo de trabajo: corte de metal laminado

Emisión de vibraciones ($a_{h,M}$): 3,5 m/s²

Incertidumbre (K): 1,5 m/s²

ENG901-2

- El valor (o los valores) total de emisión de vibración declarado ha sido medido de acuerdo con un método de prueba estándar y se puede utilizar para comparar una herramienta con otra.
- El valor (o los valores) total de emisión de vibración declarado también se puede utilizar en una valoración preliminar de exposición.

ADVERTENCIA:

- **La emisión de vibración durante la utilización real de la herramienta eléctrica puede variar del valor (o los valores) de emisión declarado dependiendo de las formas en las que la herramienta sea utilizada, especialmente qué tipo de pieza de trabajo se procesa.**
- **Asegúrese de identificar medidas de seguridad para proteger al operario que estén basadas en una estimación de la exposición en las condiciones reales de utilización (teniendo en cuenta todas las partes del ciclo operativo como las veces cuando la herramienta está apagada y cuando está funcionando en vacío además del tiempo de gatillo).**

Declaración de conformidad de la CE

Sólo para los países europeos

La Declaración de conformidad de la CE se incluye como Anexo A en este manual de instrucciones.

PORTUGUÊS (Instruções de origem)

Descrição geral

- | | | |
|--|--------------------------------------|---------------------------------|
| 1. Indicador vermelho | 12. Posição fixa | 25. Graduações |
| 2. Botão | 13. Posição de libertada | 26. Entalhe em V |
| 3. Bateria | 14. Lâmina de serra tico-tico | 27. Caixa de engrenagens |
| 4. Marca de estrela | 15. Base | 28. Orifício inicial |
| 5. Lâmpadas indicadoras | 16. Chave sextavada | 29. Vedação para escarificação |
| 6. Botão de verificação | 17. Placa de cobertura | 30. Guia de vedação |
| 7. Alavanca de comutação da acção de corte | 18. Dispositivo de anti-fragmentação | 31. Manípulo roscado |
| 8. Interruptor de bloqueio | 19. Bico do pó | 32. Pino-guia circular |
| 9. Gatilho | 20. Parafuso de fixação | 33. Barra paralela |
| 10. Botão de bloqueio | 21. Tubo flexível para aspirador | 34. Adaptador do carril de guia |
| 11. Manípulo de regulação da velocidade | 22. Linha de corte | 35. Parafuso |
| | 23. Parafuso | 36. Carril de guia |
| | 24. Ranhura biselada | |

ESPECIFICAÇÕES

Modelo	DJV142	DJV182
Comprimento do corte	26 mm	26 mm
Capacidades máximas de corte	Madeira	135 mm
	Aço macio	10 mm
	Alumínio	20 mm
Cortes por minuto (min ⁻¹)	800 - 3.500	800 - 3.500
Comprimento total	264 mm	266 mm
Peso líquido	2,3 - 2,6 kg	2,4 - 2,7 kg
Tensão nominal	C.C. 14,4 V	C.C. 18 V

- Devido à pesquisa e desenvolvimento constantes, estas especificações estão sujeitas a alteração sem aviso prévio.
- Estas especificações podem diferir de país para país.
- O peso pode variar dependendo do(s) acessório(s), incluindo a bateria. A combinação mais leve e a mais pesada, de acordo com o procedimento EPTA 01/2014, são apresentadas na tabela.

Bateria e carregador aplicáveis

Bateria	D.C. 14,4V Modelo	BL1415N/BL1430/BL1430B/BL1440/BL1450/BL1460B
	D.C. 18V Modelo	BL1815N/BL1820/BL1820B/BL1830/BL1830B/BL1840/BL1840B/BL1850/BL1850B/BL1860B
Carregador		DC18RC/DC18RD/DC18RE/DC18SD/DC18SE/DC18SF

- Algumas baterias e carregadores indicados acima podem não estar disponíveis consoante a região de residência.

AVISO:

- Utilize apenas os tipos de bateria e carregador indicados acima. A utilização de qualquer outra bateria ou carregador pode criar um risco de ferimentos e/ou incêndios.


Utilização prevista

ENE019-1

A ferramenta destina-se a serrar madeira, plástico e materiais metálicos. Como resultado do abrangente programa de acessórios e lâminas, a ferramenta pode ser utilizada para muitas finalidades e é adequada para cortes curvos ou circulares.

Avisos gerais de segurança para ferramentas elétricas

GEA010-2

 **AVISO:** Leia todos os avisos de segurança, instruções, ilustrações e especificações fornecidos com esta ferramenta elétrica. O não cumprimento de

todas as instruções indicadas em baixo pode resultar em choque elétrico, incêndio e/ou ferimentos graves.

Guarde todos os avisos e instruções para futuras referências.

O termo "ferramenta elétrica" nos avisos refere-se às ferramentas elétricas ligadas à corrente elétrica (com cabo) ou às ferramentas elétricas operadas por meio de bateria (sem cabo).

Avisos de segurança da serra tico-tico a bateria

CEB187-1

1. **Segure na ferramenta elétrica pelas superfícies de aderência isoladas quando executar uma operação em que o acessório de corte possa entrar em contacto com fios ocultos.** O contacto do acessório de corte com um fio elétrico “sob tensão” pode tornar as partes metálicas expostas da ferramenta elétrica “sob tensão” e pode causar um choque elétrico ao operador.
2. **Utilize grampos ou qualquer outro modo prático para prender e suportar a peça de trabalho numa superfície estável.** Segurar na peça de trabalho com a mão ou contra o corpo deixa-a instável e pode levar à perda de controlo.
3. **Utilize sempre óculos de segurança. Os óculos normais ou de sol NÃO são óculos de segurança.**
4. **Evite cortar pregos. Inspeccione a peça de trabalho e se tiver pregos, tire-os antes da operação.**
5. **Não corte peças de trabalho de tamanho muito grande.**
6. **Verifique se tem a folga adequada sob a peça de trabalho antes de cortar, de modo a que a serra não bata no chão, bancada, etc.**
7. **Segure firmemente na ferramenta.**
8. **Certifique-se de que a serra não está em contacto com a peça de trabalho antes de ligar o interruptor.**
9. **Mantenha as mãos afastadas das partes em movimento.**
10. **Não deixe a ferramenta a funcionar. Utilize a ferramenta apenas quando estiver na sua mão.**
11. **Desligue sempre e espere que a serra pare completamente antes de retirar a serra da peça de trabalho.**
12. **Não toque na serra ou na peça de trabalho imediatamente a seguir à operação pois podem estar extremamente quentes e provocar queimaduras.**
13. **Não utilize com a ferramenta em vazio desnecessariamente.**
14. **Alguns materiais contêm químicos que podem ser tóxicos. Tome todas as precauções para impedir a inalação de poeiras e o contacto com a pele. Siga os dados de segurança do fornecedor do material.**
15. **Utilize sempre a máscara de pó/respirador correto para o material e a aplicação com que está a trabalhar.**

GUARDE ESTAS INSTRUÇÕES.

⚠ AVISO:
NÃO permita que o conforto ou familiaridade com o produto (adquirido com o uso repetido) substitua o cumprimento estrito das regras de segurança da ferramenta. A MÁ INTERPRETAÇÃO ou o não seguimento das regras de segurança estabelecidas neste manual de instruções pode provocar ferimentos pessoais graves.

INSTRUÇÕES DE SEGURANÇA IMPORTANTES PARA A BATERIA

ENC007-12

1. **Antes de utilizar a bateria, leias as instruções e chamadas de atenção sobre: (1) o carregador da bateria, (2) a bateria e (3) o produto que utiliza a bateria.**
2. **Não desmonte a bateria.**
3. **Se o tempo de utilização com a bateria se tornar demasiado curto, deve parar imediatamente. Se continuar, pode causar sobreaquecimento, incêndio e mesmo explosão.**
4. **Se o electrólito entrar em contacto com os olhos, enxagüe-os com água limpa e consulte imediatamente um médico. Os riscos incluem perda de visão.**
5. **Não provoque um curto-circuito na bateria:**
 - (1) **Não deixe que quaisquer materiais condutores entrem em contacto com os terminais da bateria.**
 - (2) **Evite guardar a bateria juntamente com outros objectos de metal como pregos, moedas, etc.**
 - (3) **Não exponha a bateria a água ou chuva. Um curto-circuito na bateria pode criar uma grande carga eléctrica, sobreaquecimento, possíveis queimaduras e mesmo uma avaria.**
6. **Não guarde a ferramenta e a bateria em locais onde a temperatura possa atingir ou exceder 50°C (122°F).**
7. **Não incinere a bateria, nem mesmo se esta estiver irremediavelmente danificada ou completamente gasta. Pode explodir num incêndio.**
8. **Não a deixe cair e evite o choque com outros objectos.**
9. **Não utilize uma bateria danificada.**
10. **As baterias de íões de lítio contidas na ferramenta são sujeitas aos requisitos da DGL (Dangerous Goods Legislation - Legislação de bens perigosos).**

Para o transporte comercial, por exemplo, por terceiros ou agentes de expedição, têm de ser observados os requisitos referentes à embalagem e etiquetagem.

Para preparação do artigo a ser expedido, é necessário consultar um perito em materiais perigosos. Tenha ainda em conta a possibilidade de existirem regulamentos nacionais mais detalhados. Coloque fita-cola ou tape os contactos abertos e embale a bateria de tal forma que não possa mover-se dentro da embalagem.
11. **Siga os regulamentos locais relacionados com a eliminação da bateria.**
12. **Use as baterias apenas com os produtos especificados pela Makita. A instalação de baterias em produtos que não estão em conformidade pode resultar num incêndio, calor excessivo, explosão ou fuga de electrólito.**

GUARDE ESTAS INSTRUÇÕES.

⚠ PRECAUÇÃO: Utilize apenas baterias genuínas da Makita.

A utilização de baterias não genuínas da Makita ou de baterias que foram alteradas, pode resultar no reventamento da bateria provocando incêndios, ferimentos pessoais e danos. Além disso, anulará da garantia da Makita no que se refere à ferramenta e ao carregador Makita.

Sugestões para o máximo de tempo de vida da bateria

1. **Não espere que a bateria se gaste completamente para voltar a carregá-la.**
Pare a ferramenta e carregue a bateria sempre que detectar um baixo nível de energia.
2. **Nunca volte a carregar uma bateria já completamente carregada.**
O carregamento excessivo diminui o tempo de vida das baterias.
3. **Carregue a bateria em locais onde a temperatura se situe entre 10°C e 40°C (50°F - 104°F).** Se a bateria estiver quente, deixe-a arrefecer antes de iniciar o carregamento.
4. **Carregue a bateria em caso de inatividade durante um longo período de tempo (mais de seis meses).**

DESCRIÇÃO DO FUNCIONAMENTO

⚠️ PRECAUÇÃO:

- Certifique-se sempre de que a ferramenta está desligada e que a bateria foi removida antes de proceder a ajustes ou testar acessórios.

Inserir ou retirar a bateria (Fig. 1)

⚠️ PRECAUÇÃO:

- Desligue sempre a ferramenta antes de instalar ou retirar a bateria.
- **Segure bem a ferramenta e a bateria quando instalar ou retirar a bateria.** Se não segurar bem a ferramenta e a bateria, pode fazer com que caiam das mãos e provoquem danos na ferramenta e na bateria e ferimentos pessoais.

Para retirar a bateria, mantenha premido o botão na frente da bateria e puxe.

Para colocar a bateria, alinhe a respectiva saliência com a calha do compartimento e encaixe-a suavemente.

Insira-a completamente até fixar em posição com um clique. Se ainda estiver visível o indicador vermelho na parte superior do botão, não estará bem encaixado.

⚠️ PRECAUÇÃO:

- Instale sempre a bateria completamente, até deixar de ver o indicador vermelho. Caso contrário, pode cair da ferramenta e causar ferimentos em si, ou em alguém que esteja perto de si.
- Não instale a bateria forçosamente. Se não encaixar facilmente é porque não está correctamente posicionada.

Sistema de protecção da bateria (Bateria de íões de lítio com uma marca de estrela) (Fig. 2)

As baterias de íões de lítio com uma marca de estrela estão equipadas com um sistema de protecção. Este

sistema corta automaticamente a alimentação para prolongar a vida útil da bateria.















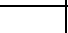

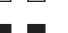

A ferramenta pára automaticamente durante o funcionamento quando a ferramenta e/ou bateria são colocadas numa das condições seguintes:

- **Sobrecarregada:**
A ferramenta é utilizada de tal forma que atrai uma corrente involuntariamente alta.
Nesta situação, solte o gatilho da ferramenta e pare a aplicação que causou a sobrecarga. De seguida, prima novamente o gatilho para reiniciar.
Se a ferramenta não ligar, a bateria está sobreaquecida. Nesta situação, permita o arrefecimento da bateria antes de voltar a premir o gatilho.
- **Tensão baixa da bateria:**
A carga restante da bateria é demasiado baixa e a ferramenta não funciona. Nesta situação, retire e recarregue a bateria.

Indicar a carga restante da bateria

Apenas para baterias com indicador (Fig. 3)

Prima o botão de verificação na bateria para indicar a capacidade restante da bateria. As luzes indicadoras acendem durante alguns segundos.

Lâmpadas indicadoras			Carga restante
 Acesa	 Apagada	 Intermitente	
			75% a 100%
			50% a 75%
			25% a 50%
			0% a 25%
			Carregue a bateria.
			A bateria pode ter avariado.
			

NOTA:

- Consoante as condições de utilização e a temperatura ambiente, a indicação pode ser ligeiramente diferente da carga real.

Seleccionar a acção de corte (Fig. 4)

Esta ferramenta pode ser utilizada com uma acção de corte circular ou em linha recta (para cima e para baixo).

A acção de corte circular impulsiona a lâmina para a frente no curso de corte e aumenta significativamente a velocidade de corte.

Para alterar a acção de corte, rode a alavanca de comutação da acção de corte para a posição de acção de corte pretendida. Consulte a tabela para seleccionar a acção de corte adequada.

Posição	Acção de corte	Aplicações
0	Acção de corte em linha recta	Para cortar aço macio, aço inoxidável e plástico. Para cortes limpos em madeira e contraplacado.
I	Acção de corte circular pequena	Para cortar aço macio, alumínio e madeira dura.
II	Acção de corte circular média	Para cortar madeira e contraplacado. Para corte rápido em alumínio e aço macio.
III	Acção de corte circular grande	Para corte rápido em madeira e contraplacado.

006376

Acção do interruptor

PRECAUÇÃO:

- Antes de inserir a bateria na ferramenta, verifique se o gatilho está a funcionar correctamente e se regressa à posição “OFF” quando o solta. (Fig. 5)

Para ligar a ferramenta:

Prima o interruptor de bloqueio para colocar a ferramenta no modo de espera. Também liga a luz.

Prima o gatilho para ligar a ferramenta. Para parar a ferramenta, solte o gatilho.

Para um funcionamento contínuo, prima o gatilho e pressione o botão de bloqueio.

Para parar a ferramenta a partir da posição de bloqueada, prima totalmente o gatilho e solte-o.

No modo de espera, prima o interruptor de bloqueio para desligar a luz e coloque a ferramenta no modo de desbloqueio.

NOTA:

- O interruptor de bloqueio não funciona durante a operação de corte.
- Quando a ferramenta está no modo de espera, a luz continua a piscar.
- Se a ferramenta estiver 10 segundos sem quaisquer operações no modo de espera, a ferramenta passa automaticamente para o modo de desbloqueio e a luz apaga-se.

Acender as lâmpadas

PRECAUÇÃO:

- Não olhe directamente para a luz ou para a fonte da mesma.

Para ligar a luz, prima o interruptor de bloqueio.

Para desligar a luz no espaço de 10 segundos, pressione novamente o interruptor de bloqueio.

NOTA:

- Para limpar a lâmpada, utilize um tecido seco. Tenha cuidado para não riscar a lente da lâmpada, pois poderia diminuir a intensidade da iluminação.
- Quando a ferramenta está sobreaquecida, a lâmpada pisca. Arrefeça por completo a ferramenta antes de voltar a utilizá-la.

Manípulo de regulação da velocidade (Fig. 6)

A velocidade da ferramenta pode ser ajustada rodando o manípulo de regulação da velocidade. Pode obter a velocidade mais alta em 6 e a velocidade mais baixa em 1. Consulte a tabela para seleccionar a velocidade adequada para a peça de trabalho a cortar. No entanto, a velocidade adequada poderá ser diferente consoante o tipo de espessura da peça de trabalho. De maneira geral, as velocidades mais altas permitirão que corte peças de trabalho mais rápido, mas a vida útil da lâmina será reduzida.

Peça de trabalho a cortar	Número no manípulo de ajuste
Madeira	4 - 6
Aço macio	3 - 6
Aço inoxidável	3 - 4
Alumínio	3 - 6
Plástico	1 - 4

013925

PRECAUÇÃO:

- O manípulo de regulação da velocidade apenas pode ser rodado até 6 ou 1. Não o force para lá de 6 ou 1, caso contrário a função de regulação da velocidade poderá deixar de funcionar.

NOTA:

- Quando o manípulo de regulação da velocidade está em 3 ou mais, a ferramenta reduz automaticamente a velocidade sem carga para reduzir a vibração sem carga. Assim que a ferramenta receber carga, a velocidade da ferramenta atinge a velocidade predefinida. De seguida, a ferramenta mantém a velocidade até ser desligada. Quando a temperatura está baixa e existe menos fluidez na massa lubrificante, a ferramenta pode não ter esta função mesmo com o motor a rodar.

MONTAGEM

PRECAUÇÃO:

- Certifique-se sempre de que a ferramenta está desligada e a bateria removida, antes de efectuar qualquer operação na ferramenta.

Instalar ou remover a lâmina

PRECAUÇÃO:

- Limpe sempre quaisquer aparas ou material estranho que esteja colado à lâmina e/ou suporte da lâmina. Se não o fizer, a lâmina poderá ficar insuficientemente apertada, resultando em ferimentos pessoais graves.
- Não toque numa lâmina ou no material em que tiver estado a trabalhar logo após a operação porque podem estar demasiado quentes.
- Aperte bem a lâmina da serra. Caso contrário, pode causar ferimentos graves.
- Quando remover a lâmina da serra, tenha cuidado para não magoar os dedos com a parte superior da lâmina ou as pontas da peça de trabalho. (Fig. 7)

Antes de instalar a lâmina, certifique-se de que o suporte da lâmina está na posição libertada.

Para instalar a lâmina, introduza a lâmina (dentes virados para a frente) no suporte da lâmina até encaixar. O suporte da lâmina move-se para a posição fixa sozinho e a lâmina é bloqueada. Puxe ligeiramente a lâmina para se certificar de que a lâmina não cai durante a utilização.

PRECAUÇÃO:

- Não abra demasiadamente o dispositivo de abertura da ferramenta, caso contrário, pode causar danos na mesma. (Fig. 8)

Para remover a lâmina, empurre o dispositivo de abertura da ferramenta ao máximo. Isto permite libertar a lâmina.

NOTA:

- Lubrifique periodicamente o rolo.

Armazenamento da chave sextavada (Fig. 9)

Quando não estiver a ser utilizada, guarde a chave sextavada tal como indicado na ilustração, para evitar que se perca.

Placa de cobertura (Fig. 10)

Utilize a placa de cobertura ao cortar folheados decorativos, plásticos, etc. Protege as superfícies sensíveis ou delicadas contra os danos. Encaixe na parte traseira da base da ferramenta.

Dispositivo de anti-fragmentação (Fig. 11)

Para cortes sem fragmentos, pode ser utilizado o dispositivo de anti-fragmentação. Para instalar o dispositivo de anti-fragmentação, mova a base da ferramenta completamente para a frente e encaixe-a a partir da parte traseira da base da ferramenta. Quando utiliza a placa de cobertura, instale o dispositivo de anti-fragmentação na placa de cobertura.

PRECAUÇÃO:

- O dispositivo de anti-fragmentação não pode ser utilizada ao efectuar cortes biselados.

Extracção de pó

O bico de pó (acessório opcional) é aconselhável para efectuar operações de corte limpas. (Fig. 12)

Para instalar o bico de pó na ferramenta, introduza o gancho do bico de pó no orifício na base. (Fig. 13)

Para fixar o bico de pó, aperte o parafuso de fixação na parte frontal do bico de pó.

O bico de pó pode ser instalado no lado esquerdo ou direito da base. (Fig. 14)

De seguida, ligue um aspirador Makita ao bico de pó.

FUNCIONAMENTO

PRECAUÇÃO:

- Segure sempre a base ao nível da peça de trabalho. Caso contrário, pode causar quebras da lâmina, resultando em ferimentos graves.

NOTA:

- Se mantiver a ferramenta a funcionar ininterruptamente até a bateria se gastar completamente, deixe-a em repouso durante 15 minutos antes de substituir a bateria. (Fig. 15)

Ligue a ferramenta sem que a lâmina toque na peça de trabalho e aguarde até esta atinja a velocidade máxima. De seguida, assente a base na peça de trabalho e mova suavemente a ferramenta para a frente ao longo da linha de corta previamente assinalada.

Ao cortar curvas, avance a ferramenta muito lentamente.

Corte em bisel (Fig. 16)

PRECAUÇÃO:

- Certifique-se sempre de que a ferramenta está desligada e a bateria removida antes de inclinar a base.

Com a base inclinada, pode efectuar cortes biselados a qualquer ângulo entre 0° e 45° (para a esquerda ou direita). (Fig. 17)

Para inclinar a base, desaperte o parafuso na parte traseira da base com a chave sextavada. Mova a base de modo a que o parafuso fique posicionado no centro da ranhura biselada na base. (Fig. 18)

Incline a base até obter o ângulo biselado pretendido. O entalhe em V da caixa de engrenagens indica o ângulo biselado por graduações. De seguida, aperte bem o parafuso para fixar a base.

Cortes frontais uniformes (Fig. 19)

Desaperte o parafuso na parte traseira da base com a chave sextavada e deslize a base ao máximo para trás.

De seguida, aperte o parafuso para fixar a base.

Recortes

Podem ser efectuados recortes com os métodos A ou B.

A) Efectuar um orifício inicial: (Fig. 20)

- Para os recortes internos sem um corte de entrada a partir de uma extremidade, pré-perfure um orifício inicial com 12 mm ou mais de diâmetro. Introduza a lâmina neste orifício para iniciar o corte.

B) Fresagem: (Fig. 21)

- Não necessita de efectuar um orifício inicial ou um corte de entrada se efectuar cuidadosamente o seguinte.

1. Incline a ferramenta para cima na extremidade frontal da base com a ponta da lâmina posicionada imediatamente acima da superfície da peça de trabalho.
2. Aplique pressão na ferramenta para que a extremidade frontal da base não se mova quando liga a ferramenta e baixe lentamente a extremidade traseira da ferramenta.
3. À medida que a lâmina fura a peça de trabalho, baixe lentamente a base da ferramenta para a superfície da peça de trabalho.
4. Conclua normalmente o corte.

Acabamento das extremidades (Fig. 22)

Para aparar extremidades ou efectuar ajustes dimensionais, guie a lâmina ao longo das extremidades de corte.

Corte de metal

Utilize sempre refrigerante (óleo de corte) adequado quando cortar metal. Se não o fizer poderá desgastar significativamente a lâmina. A parte inferior da peça de

trabalho pode ser lubrificada em vez de usar um refrigerante.

Conjunto de vedação para escarificação (acessório opcional)

PRECAUÇÃO:

- Certifique-se sempre de que a ferramenta está desligada e a bateria removida antes de instalar ou retirar acessórios.

1. Cortes a direito (Fig. 23)

Ao cortar repetidamente larguras de 160 mm ou menos, utilize a vedação para escarificação, irá garantir cortes rápidos, limpos e retos. (Fig. 24)

Para instalar, introduza a vedação para escarificação no orifício rectangular no lado da base da ferramenta com o guia de vedação virado para baixo. Deslize a vedação para escarificação para a posição de largura de corte pretendida, de seguida, aperte o parafuso para fixar.

2. Cortes circulares (Fig. 25 e 26)

Ao cortar círculos ou arcos com 170 mm de raio ou menos, instale a vedação para escarificação da seguinte forma.

1. Introduza a vedação para escarificação no orifício rectangular no lado da base com o guia de vedação virado para cima. Introduza o pino-guia circular através de qualquer um dos dois orifícios no guia de vedação. Aparafuse o manípulo roscado no pino para fixar o pino.
2. De seguida, deslize a vedação para escarificação para o raio de corte pretendido e aperte o parafuso para o fixar na posição. De seguida, mova a base para a frente ao máximo.

NOTA:

- Utilize sempre lâminas N.º B-17, B-18, B-26 ou B-27 ao cortar círculos ou arcos.

Conjunto do adaptador do carril de guia (acessório opcional) (Fig. 27)

Ao cortar uma largura paralela e uniforme ou a direito, a utilização do carril de guia e o adaptador do carril de guia irá garantir a produção de cortes rápidos e limpos.

Para instalar o adaptador do carril de guia, introduza a barra paralela ao máximo no orifício quadrado da base.

Fixe o parafuso com a chave sextavada. (Fig. 28)

Instale o adaptador do carril de guia no carril do carril de guia. Introduza a barra paralela no orifício quadrado do adaptador do carril de guia. Coloque a base na parte lateral do carril de guia e fixe bem o parafuso. (Fig. 29)

PRECAUÇÃO:

- Utilize sempre lâminas N.º B-8, B-13, B-16, B-17 ou 58 ao utilizar o carril de guia e o adaptador do carril de guia.

MANUTENÇÃO

PRECAUÇÃO:

- Certifique-se sempre de que a ferramenta está desligada e a bateria removida antes de efectuar operações de inspecção ou de manutenção.

- Nunca utilize gasolina, benzina, diluente, álcool ou semelhante. Podem formar-se descolorações, deformações ou fissuras.

Para manter os níveis de SEGURANÇA e FIABILIDADE definidos para este produto, as reparações e os procedimentos de manutenção ou ajustes devem ser executados por centros de assistência Makita autorizados, utilizando sempre peças de substituição Makita.

ACESSÓRIOS OPCIONAIS

PRECAUÇÃO:

- Os seguintes acessórios ou extensões são os recomendados para utilizar com a ferramenta Makita especificada neste manual. A utilização de quaisquer outros acessórios poderá representar um risco de ferimento para as pessoas. Apenas utilize o acessório para o fim indicado.

Se precisar de informações adicionais relativas aos acessórios, contacte o centro local de assistência Makita.

- Lâminas de serra tico-tico
- Chave sextavada 4
- Conjunto de vedação para escarificação (guia paralela)
- Conjunto do adaptador do carril de guia
- Conjunto do carril de guia
- Dispositivo de anti-fragmentação
- Placa de cobertura
- Conjunto do bico de pó
- Bateria e carregador genuínos da Makita

NOTA:

- Alguns itens na lista podem estar incluídos no pacote de ferramentas como acessórios de série. Podem diferir de país para país.

Ruído

ENG905-1

O nível de ruído ponderado A típico determinado, de acordo com EN62841-2-11:

Modelo DJV142

Nível de pressão sonora (L_{pA}): 78 dB (A)

Incerteza (K): 3 dB (A)

O nível de ruído quando em funcionamento pode exceder os 80 dB (A).

Modelo DJV182

Nível de pressão sonora (L_{pA}): 77 dB (A)

Incerteza (K): 3 dB (A)

O nível de ruído quando em funcionamento pode exceder os 80 dB (A).

ENG907-1

- O(s) valor(es) da emissão de ruído indicado(s) foi medido de acordo com um método de teste padrão e pode ser utilizado para comparar duas ferramentas.
- O(s) valor(es) da emissão de ruído indicado(s) pode também ser utilizado na avaliação preliminar da exposição.

AVISO:

- Utilize protetores auriculares.
- A emissão de ruído durante a utilização real da ferramenta elétrica pode diferir do(s) valor(es) indicado(s), dependendo das formas como a

ferramenta é utilizada, especialmente o tipo de peça de trabalho que é processada.

- **Certifique-se de identificar as medidas de segurança para proteção do operador que sejam baseadas em uma estimativa de exposição em condições reais de utilização (considerando todas as partes do ciclo de operação, tal como quando a ferramenta está desligada e quando está a funcionar em marcha lenta além do tempo de acionamento).**

Vibração

ENG900-1

O valor total de vibração (soma vector triaxial) determinado, de acordo com EN62841-2-11:

Modelo DJV142

Modo de trabalho: cortar placas

Emissão de vibração ($a_{h,B}$): 7,0 m/s²

Incerteza (K): 1,5 m/s²

Modo de trabalho: cortar chapa metálica

Emissão de vibração ($a_{h,M}$): 4,0 m/s²

Incerteza (K): 1,5 m/s²

Modelo DJV182

Modo de trabalho: cortar placas

Emissão de vibração ($a_{h,B}$): 7,0 m/s²

Incerteza (K): 1,5 m/s²

Modo de trabalho: cortar chapa metálica

Emissão de vibração ($a_{h,M}$): 3,5 m/s²

Incerteza (K): 1,5 m/s²

ENG901-2

- O(s) valor(es) total(ais) de vibração indicado(s) foi medido de acordo com um método de teste padrão e pode ser utilizado para comparar duas ferramentas.
- O(s) valor(es) total(ais) de vibração indicado(s) pode também ser utilizado na avaliação preliminar da exposição.

⚠ AVISO:

- **A emissão de vibração durante a utilização real da ferramenta elétrica pode diferir do(s) valor(es) indicado(s), dependendo das formas como a ferramenta é utilizada, especialmente o tipo de peça de trabalho que é processada.**
- **Certifique-se de identificar as medidas de segurança para proteção do operador que sejam baseadas em uma estimativa de exposição em condições reais de utilização (considerando todas as partes do ciclo de operação, tal como quando a ferramenta está desligada e quando está a funcionar em marcha lenta além do tempo de acionamento).**

Declaração de conformidade CE

Apenas para os países europeus

A declaração de conformidade CE está incluída como Anexo A neste manual de instruções.

DANSK (Originalvejledning)

Forklaring til generel oversigt

1. Rød indikator	13. Frigjort position	25. Gradinddelinger
2. Knap	14. Klinge til stiksav	26. V-indhak
3. Batteripakke	15. Base	27. Gearhus
4. Stjernemærkning	16. Unbrakonøgle	28. Starthul
5. Indikatorlamper	17. Dækplade	29. Parallellanslag
6. Kontrolknap	18. Anti-splintringsanordning	30. Anslagsskinne
7. Håndtag til skæringssskift	19. Mundstykke	31. Greb med gevind
8. Låsekontakt	20. Tilspændingsskrue	32. Rund skinnestift
9. Afbryderkontakt	21. Slange til støvsuger	33. Linealbjælke
10. Lås til-knap	22. Skærelinje	34. Støtteskinneadapter
11. Drejeknap til hastighedsjustering	23. Bolt	35. Skrue
12. Låst position	24. Skråsnitsåbning	36. Støtteskinne

SPECIFIKATIONER

Model		DJV142	DJV182
Længde på snit		26 mm	26 mm
Maksimal skærekapacitet	Træ	135 mm	135 mm
	Blødt stål	10 mm	10 mm
	Aluminium	20 mm	20 mm
Snit pr. minut (min ⁻¹)		800 - 3.500	800 - 3.500
Længde i alt		264 mm	266 mm
Nettovægt		2,3 - 2,6 kg	2,4 - 2,7 kg
Nominal spænding		14,4 V jævnstrøm	18 V jævnstrøm

- På grund af vores løbende forsknings- og udviklingsprogram kan specifikationerne heri ændres uden forudgående varsel.
- Specifikationerne kan variere fra land til land.
- Vægten kan muligvis afvige afhængigt af tilbehøret, inklusive batteripakken. Den letteste og tungeste kombination, ifølge EPTA-procedure 01/2014, er vist i tabellen.

Anvendelig batteripakke og oplader

Batteripakke	14,4 V DC Model	BL1415N/BL1430/BL1430B/BL1440/BL1450/BL1460B
	18 V DC Model	BL1815N/BL1820/BL1820B/BL1830/BL1830B/BL1840/BL1840B/BL1850/BL1850B/BL1860B
Oplader		DC18RC/DC18RD/DC18RE/DC18SD/DC18SE/DC18SF

- Nogle af de ovennævnte batteripakker og opladere er muligvis ikke til rådighed, afhængigt af den region du bor i.

ADVARSEL:

- **Brug kun de ovennævnte batteripakker og opladere.** Brug af nogen andre batteripakker og opladere kan muligvis forårsage personskade og/eller brand.


Tilsigtet anvendelse

ENE019-1

Denne maskine er beregnet til skæring i træ-, plastik- og metalmaterialer. Som et resultat af det store tilbehørs- og savklingeprogram kan maskinen anvendes til mange formål og er meget velegnet til buede eller cirkulære snit.

Almindelige sikkerhedsregler for el-værktøj

GEA010-2

 **ADVARSEL: Læs alle de sikkerhedsadvarsler, instruktioner, illustrationer og specifikationer, der følger med denne maskine.** Forsømmelse af at

overholde alle nedenstående instruktioner kan medføre elektrisk stød, brand og/eller alvorlig personskade.

Gem alle advarsler og instruktioner til fremtidig reference.

Ordet "el-værktøj" i advarslerne henviser til det netforsynede (netledning) el-værktøj eller batteriforsynede (akku) el-værktøj.

Sikkerhedsadvarsler for akku stiksav

GEB187-1

1. Hold maskinen i de isolerede håndtagsflader, når der udføres et arbejde, hvor det skærende tilbehør kan komme i kontakt med skjulte ledninger. Skærende tilbehør, som kommer i kontakt med en strømførende ledning, kan bevirke, at udsatte metaldele på maskinen bliver strømførende, hvorved operatøren kan få elektrisk stød.
2. Anvend spændestykker eller en anden praktisk måde til at fastspænde og støtte arbejdsemnet til en stabil flade. Hvis arbejdsemnet holdes med hånden eller støttes mod kroppen, vil det være ustabil, hvilket kan medføre, at De mister kontrollen over det.
3. Anvend altid sikkerhedsbriller eller beskyttelsesbriller. Almindelige briller eller solbriller er IKKE sikkerhedsbriller.
4. Undgå at save i søm. Tjek arbejdsemnet for søm, og fjern dem, før arbejdet påbegyndes.
5. Sav ikke i for store arbejdsemner.
6. Tjek for tilstrækkelig frigang under arbejdsemnet, før der saves, så klingens ikke rammer gulvet, arbejdsbænken eller lignende.
7. Hold godt fast i maskinen.
8. Sørg for, at klingens ikke er i kontakt med arbejdsemnet, før der trykkes på afbryderen.
9. Hold hænderne væk fra bevægelige dele.
10. Lad ikke maskinen køre. Anvend kun maskinen, når den holdes i hænderne.
11. Sluk altid, og vent, indtil klingens står helt stille, før klingens fjernes fra arbejdsemnet.
12. Rør ikke ved klingens eller arbejdsemnet umiddelbart efter anvendelse. De kan begge være meget varme og forårsage forbrænding af huden.
13. Anvend ikke maskinen unødigt uden belastning.
14. Nogle materialer indeholder kemikalier, der kan være giftige. Sørg for at undgå at indånde støv samt kontakt med huden. Overhold materialeleverandørens sikkerhedsdata.
15. Anvend altid korrekt støvmaske/åndedrætsværn i henhold til det materiale og den anvendelse, De arbejder med.

GEM DISSE FORSKRIFTER.

⚠ ADVARSEL:

LAD IKKE bekvemmelighed eller kendskab til produktet (opnået gennem gentagen brug) forhindre, at sikkerhedsforskrifterne for produktet nøje overholdes. MISBRUG eller forsømmelse af at følge de i denne brugsvejledning givne sikkerhedsforskrifter kan medføre alvorlig personskade.

VIGTIGE SIKKERHEDSINSTRUKTIONER FOR AKKUEN

ENC007-12

1. Før brugen af batteripakken skal du læse alle instruktioner og advarsler på (1) batteriopladeren,

- (2) batteriet og (3) det produkt, som batteriet anvendes i.
2. Skil ikke batteripakken ad.
3. Hvis driftstiden bliver betydeligt kortere, skal du straks ophøre med brugen. Brug kan medføre risiko for overophedning, risiko for forbrændinger eller endog eksplosion.
4. Hvis du får elektrolyt i øjnene, skal du med det samme rense øjnene med rent vand og søge læge. Dette kan medføre tab af synet.
5. Kortslut ikke batteripakken:
 - (1) Undgå at røre ved terminalerne med ledende materiale.
 - (2) Undgå at opbevare batteripakken i en beholder med andre metalgenstande som f.eks. søm, mønter osv.
 - (3) Udsæt ikke batteripakken for vand eller regn. Hvis batteriet kortsluttes, kan det medføre voldsom strøm, overophedning, mulige forbrændinger og endog nedbrud.
6. Undgå at opbevare værktøjet og batteripakken på steder, hvor temperaturen kan komme op på eller overstige 50°C.
7. Sæt ikke ild til batteripakken, selvom den er alvorligt beskadiget eller helt udtjent. Batteripakken kan eksplodere ved brand.
8. Undgå at tabe eller slå på batteriet.
9. Undlad brug af et beskadiget batteri.
10. De indbyggede litium-ion-batterier er underlagt lovkrav vedrørende farligt gods. Ved kommerciel transport, f.eks. af tredjeparts transportselskaber, skal særlige krav til forpakning og mærkning overholdes. Ved forberedelse af udstyret til forsendelse skal du kontakte en ekspert i farligt gods. Overhold også eventuel mere detaljeret national lovgivning. Tape eller tildæk åbne kontakter, og pak batteriet på en måde, så det ikke kan flytte sig rundt i pakningen.
11. Følg de lokale bestemmelser med hensyn til bortskaffelse af batteri.
12. Brug kun batterierne med de produkter, som er specificeret af Makita. Monteres batterierne i produkter, som ikke er kompatible, kan det muligvis resultere i brand, kraftig varmeudvikling, eksplosion eller lækage af elektrolyt.

GEM DISSE INSTRUKTIONER.

⚠ FORSIGTIG: Brug kun originale batterier fra Makita.

Brug af uoriginale Makita-batterier, eller batterier som er blevet ændret, kan muligvis medføre brud på batteriet, hvilket kan forårsage brand, personskade eller beskadigelse. Det ugyldiggør også Makita-garantien for Makita-maskinen og opladeren.

Tips til, hvordan du forlænger batteriets levetid

1. Oplad batteripakken, før den bliver helt afladet. Ophør med at bruge værktøjet, og udskift batteripakken, hvis strømmen til værktøjet aftager.
2. Oplad aldrig en fuldt opladet batteripakke. Overopladning forkorter batteriets levetid.

- Oplad batteripakken ved stuetemperatur på 10°C - 40°C. Lad batteripakken køle ned før den oplades, hvis den er varm.
- Oplad batteripakken, hvis du ikke skal anvende den i en længere periode (mere end seks måneder).

- Lav batterispænding:
Den resterende batterikapacitet er for lav, og maskinen kan ikke køre. I denne situation skal du afmontere og oplade batteriet.

FUNKTIONSBESKRIVELSE

⚠ FORSIGTIG:

- Sørg altid for, at maskinen er slukket, og at batteripakken er taget ud, før du justerer maskinen eller kontrollerer dens funktion.

Montering eller afmontering af batteripakken (Fig. 1)

⚠ FORSIGTIG:

- Sluk altid for maskinen inden montering eller afmontering af batteripakken.
- Hold godt fast i maskinen og batteripakken, når du monterer eller afmonterer batteripakken. Hvis maskinen og batteripakken ikke holdes ordentligt fast, kan de glide ud af hænderne og resultere i skader på maskinen og batteripakken samt personskaade.

Afmonter batteripakken ved at holde ned på knappen foran på batteripakken og skubbe den af maskinen. Ved montering af batteripakken justeres tungen på batteripakken med rillen i huset, hvorefter pakken skubbes ind på plads. Sæt den hele vejen ind, indtil den låses på plads med et lille klik. Hvis den røde indikator øverst på knappen er synlig, er batteripakken ikke låst helt fast.

⚠ FORSIGTIG:

- Sæt altid batteripakken helt ind, indtil den røde indikator ikke længere er synlig. Ellers kan den falde ud af maskinen og skade dig eller andre personer i nærheden.
- Anvend ikke kræfter ved monteringen af batteripakken. Hvis den ikke glider let ind, er den ikke indsat korrekt.

Batteribeskyttelsessystem (lithium-ion-batteri med stjernemærkning) (Fig. 2)

Lithium-ion-batterier med en stjernemærkning er udstyret med et beskyttelsessystem. Dette system slukker automatisk for strømmen til maskinen for at forlænge batterilevetiden.

Maskinen stopper automatisk under anvendelsen, hvis maskinen og/eller batteriet udsættes for en af de følgende situationer:

- Overbelastning:
Maskinen anvendes på en sådan måde, at det får den til at bruge unormalt meget strøm.
I denne situation skal du slippe afbryderkontakten på maskinen og stoppe den anvendelse, som gjorde maskinen overbelastet. Tryk derefter ind på afbryderkontakten igen for at genstarte.
Hvis maskinen ikke starter, er batteriet overbelastet. I denne situation skal du lade batteriet køle af, inden du trykker ind på afbryderkontakten igen.

Angivelse af den resterende batterikapacitet

Kun til akkuer med indikatoren (Fig. 3)

Tryk på kontrolknappen på akkuen for at få vist den resterende batteriladning. Indikatorlampen lyser i nogle sekunder.

Indikatorlamper			Resterende kapacitet
Tændt	Slukket	Blinker	
■	□	◐	75% til 100%
■	■	□	50% til 75%
■	□	□	25% til 50%
■	□	□	0% til 25%
◐	□	□	Oplad batteriet.
■	□	□	Der opstod muligvis funktionsfejl på batteriet.
□	□	■	

BEMÆRK:

- Afhængigt af anvendelsesforholdene og den omgivende temperatur, kan angivelsen muligvis afvige en smule fra den egentlige kapacitet.

Valg af skæring (Fig. 4)

Maskinen kan benyttes med orbital skæring eller skæring i en lige linje (op og ned). Ved orbital skæring skubbes klingens fremad ved skærebewægelsen, hvorved skærehastigheden forøges væsentligt.

For at ændre skæringen skal du blot dreje håndtaget til skæringsskift hen på positionen for den ønskede skæring. Se i tabellen for at vælge den ønskede skæring.

Stilling	Skæring	Anvendelser
0	Skæring i lige linje	Til skæring i blødt stål, rustfrit stål og plastik. Til rene snit i træ og krydsfiner.
I	Orbital skæring med lille bue	Til skæring i blødt stål, aluminium og hårdt træ.
II	Orbital skæring med medium bue	Til skæring i træ og krydsfiner. Til hurtig skæring i aluminium og blødt stål.
III	Orbital skæring med stor bue	Til hurtig skæring i træ og krydsfiner.

006376

Betjening af afbryderkontakt

⚠ FORSIGTIG:

- Før batteripakken sættes i maskinen, skal du altid kontrollere, at afbryderkontakten reagerer korrekt og vender tilbage i "OFF"-positionen, når du slipper den. (Fig. 5)

For at starte maskinen:

Tryk på låsekontakten for at sætte maskinen i standbytilstand. Dette tænder også lampen.

Tryk på afbryderkontakten for at starte maskinen. Slip afbryderkontakten for at stoppe.

For kontinuerlig betjening skal du trykke på afbryderkontakten og derefter trykke lås til-knappen ind. Når du vil stoppe maskinen fra den låste position, skal du trykke afbryderkontakten helt ind og derefter slippe den. I standbytilstanden skal du trykke på låsekontakten for at slukke for lampen og sætte maskinen i lås fra-tilstand.

BEMÆRK:

- Låsekontakten aktiveres ikke under skærearbejder.
- Når maskinen er standbytilstand, bliver lampen ved med at blinke.
- Hvis maskinen ikke anvendes i 10 sekunder i standbytilstanden, skifter maskinen automatisk til lås fra-tilstand, og lampen slukker.

Tænding af lamperne

⚠ FORSIGTIG:

- Se ikke direkte ind i lampen eller lyskilden. Tryk på låsekontakten for at tænde lampen. Tryk på låsekontakten igen for at slukke for lampen inden for 10 sekunder.

BEMÆRK:

- Benyt en tør klud til at tørre snavs af lampens linse. Pas på ikke at ridse lampens linse, da det kan mindske lysstyrken.
- Lampen blinker, når maskinen er overophedet. Lad maskinen køle helt af, inden den anvendes igen.

Drejeknap til hastighedsjustering (Fig. 6)

Maskinens hastighed kan justeres grænseløst ved at dreje på drejeknappen til hastighedsjustering. Du kan opnå den højeste hastighed på 6 og den laveste hastighed på 1.

Se tabellen for at vælge den rette hastighed til at skære arbejdsemnet. Den rette hastighed kan dog variere i forhold til arbejdsemnets type og tykkelse. Generelt gør højere hastigheder det muligt at skære arbejdsemnerne hurtigere, men klingens levetid forkortes.

Arbejdsemne, som skal skæres	Nummer på drejeknappen
Træ	4 - 6
Blødt stål	3 - 6
Rustfrit stål	3 - 4
Aluminium	3 - 6
Plastik	1 - 4

013925

⚠ FORSIGTIG:

- Drejeknappen til hastighedsjustering kan kun drejes op til 6 og tilbage til 1. Prøv ikke at tvinge den forbi 6 eller 1, da hastighedsjusteringen ellers kan gå i stykker.

BEMÆRK:

- Når drejeknappen til hastighedsjustering er på 3 eller højere, reducerer maskinen automatisk hastigheden ved ingen belastning for at reducere vibrationer, når der ikke er nogen belastning. Når først maskinen udsættes for belastning, når maskinen op på den forudindstillede hastighed. Derefter bevæger maskinen hastigheden, indtil maskinen slukkes. Når temperaturen er lav og smørelsen er mindre flydende, fungerer værktøjet muligvis ikke på denne måde, selv om motoren roterer.

MONTERING

⚠ FORSIGTIG:

- Sørg altid for, at maskinen er slukket, og at batteripakken er taget ud, før du udfører nogen form for arbejde på maskinen.

Montering eller afmontering af savklingen

⚠ FORSIGTIG:

- Fjern altid alle spåner eller fremmedlegemer fra klingens og/eller klingefastholderen. Hvis du ikke gør dette, strammes klingens muligvis ikke ordentligt fast, hvilket kan medføre alvorlig personskade.
- Rør ikke klingens eller arbejdsemnet umiddelbart efter brugen. De kan være meget varme og forårsage forbrændinger af huden.
- Stram savklingen godt. Undladelse af dette kan medføre alvorlig personskade.
- Pas på ikke at skære fingrene på toppen af klingens eller spidserne af arbejdsemnet, når du afmonterer savklingen. (Fig. 7)

Inden du monterer klingens, skal du sikre dig, at klingeholderen er i den frigjorte position.

For at montere klingens skal du sætte klingens (med tænderne vendt fremad) ind i klingeholderen, indtil den klikker fast. Klingeholderen bevæger sig selv hen på den låste position, og klingens er låst. Træk forsigtigt i klingens for at sikre, at klingens ikke falder af under anvendelsen.

⚠ FORSIGTIG:

- Åbn ikke maskinåbneren unødvendigt meget, da det kan forvolde maskinskade. (Fig. 8)
- For at afmontere klingens skal du trykke maskinåbneren så langt den kan komme. Dette gør det muligt frigøre klingens.

BEMÆRK:

- Smør rullen en gang i mellem.

Opbevaring af unbrakonøgle (Fig. 9)

Opbevar unbrakonøglen som vist i figuren, når den ikke anvendes, for at forhindre, at den bliver væk.

Dækplade (Fig. 10)

Brug dækpladen ved skæring af dekorativt finér, plastik osv. Den beskytter sarte eller skrøbelige overflader mod beskadigelse. Sæt den fast bag på maskinens base.

Anti-splintringsanordning (Fig. 11)

Du kan anvende anti-splintringsanordningen for snit uden splinter. For at montere anti-splintringsanordningen skal du flytte maskinens base helt frem og sætte den bag på maskinens base. Når du anvender dækpladen, skal du montere anti-splintringsanordningen på dækpladen.

⚠ FORSIGTIG:

- Anti-splintringsanordningen kan ikke anvendes ved skråsnit.

Støvdugsugning

Mundstykke (ekstraudstyr) anbefales for udførelse af rene skæringer. (Fig. 12)

For at montere mundstykket på maskinen skal du sætte kroen på mundstykket ind i hullet i basen. (Fig. 13) Stram tilspændingsskruen forrest på mundstykket for at fastgøre mundstykket.

Mundstykket kan monteres på enten venstre eller højre side af basen. (Fig. 14)

Tilslut derefter en Makita-støvsuger til mundstykket.

BETJENING

⚠ FORSIGTIG:

- Hold altid basen i flugt med arbejdsemnet. Undladelse af dette kan medføre, at klingens knækker med alvorlig personskade til følge.

BEMÆRK:

- Hvis maskinen betjenes konstant, indtil batteripakken er afladet, skal du lade maskinen hvile i 15 minutter, før du fortsætter med et nyt batteri. (Fig. 15)

Tænd for maskinen, uden at klingens kommer i kontakt med arbejdsemnet og vent, indtil klingens er kommet op på fuld hastighed. Placer derefter basen fladt på arbejdsemnet og bevæg stille og roligt maskinen fremad langs den på forhånd opmærkede skærelinje. Når skæringen buer, skal maskinen føres meget langsomt frem.

Skråsnit (Fig. 16)

⚠ FORSIGTIG:

- Sørg altid for, at maskinen er slukket, og batteripakken er taget ud, før du vipper basen.

Du kan foretage skråsnit, med basen vippet, på enhver vinkel mellem 0° og 45° (venstre eller højre). (Fig. 17) For at vippe basen skal du løse bolten bag på basen med unbrakonøglen. Flyt basen så bolten er placeret i midten af skråsnitsåbningen i basen. (Fig. 18)

Vip basen indtil den ønskede skråsnitsvinkel er opnået. V-indhakket i gearhuset angiver skråsnitsvinklen vha. gradinddelinger. Stram derefter bolten ordentligt for at fastgøre basen.

Snit i flugt med front (Fig. 19)

Løsn bolten bag på basen med unbrakonøglen og skub basen helt tilbage. Stram derefter bolten for at fastgøre basen.

Udskæringer

Udskæringer kan udføres med én af to metoder, A eller B.

A) Boring af et starthul: (Fig. 20)

- Ved indvendige udskæringer uden noget indgangssnit fra en kant skal der bores et starthul med en diameter på 12 mm eller mere. Sæt klingens ned i dette hul for at starte skæringen.

B) Dyksnit: (Fig. 21)

- Du behøver ikke at bore noget starthul eller lave et indgangssnit, hvis du omhyggeligt gør som følger.
 1. Vip maskinen op på forkanten af basen med klingspidsen placeret lige over arbejdsemnets overflade.
 2. Tryk på maskinen så forkanten af basen ikke bevæger sig, når du tænder for maskinen og stille og roligt langsomt sænker bagenden af maskinen.
 3. Sænk langsomt maskinens base ned på arbejdsemnets overflade efterhånden som klingens trænger igennem arbejdsemnet.
 4. Gennemfør snittet som normalt.

Færdigbehandling af kanter (Fig. 22)

For at studse kanter eller foretage dimensionale justeringer skal klingens føres let langs snittets kanter.

Metalskæring

Brug altid en egnet kølevæske (skærelolie) ved skæring i metal. Undladelse af dette medfører stort slid på klingens. Undersiden af arbejdsemnet kan smøres i stedet for brug af en kølevæske.

Parallelanslagssæt (ekstraudstyr)

⚠ FORSIGTIG:

- Sørg altid for, at maskinen er slukket, og batteripakken er taget ud, før du monterer eller afmonterer tilbehør.

1. Lige snit (Fig. 23)

Ved gentagne skærebredder på 160 mm eller mindre skal du anvende parallelanslaget for at sikre hurtige, rene, lige snit. (Fig. 24)

Montering foregår ved, at parallelanslaget sættes ind i det rektangulære hul på siden af maskinens base med anslagsskinnen vendende nedad. Skub parallelanslaget hen på den ønskede skærebreddeposition, og stram derefter bolten for at fastgøre den.

2. Runde snit (Fig. 25 og 26)

Monter parallelanslaget som følger ved skæring af cirkler eller buer på 170 mm eller mindre i radius.

1. Sæt parallelanslaget ind i det rektangulære hul på siden af basen med anslagsskinnen vendende opad. Før den runde skinnestift gennem et af de to huller i anslagsskinnen. Skru grebet med gevind på stiften for at fastgøre stiften.
2. Skub nu parallelanslaget hen på den ønskede skæreradius, og stram bolten for at fastgøre den. Flyt derefter basen helt frem.

BEMÆRK:

- Brug altid klingerne nr. B-17, B-18, B-26 eller B-27 ved skæring af cirkler eller buer.

Støtteskinneadaptersæt (ekstraudstyr) (Fig. 27)

Når du skærer parallelt og med ens bredde eller skærer lige, sikrer brugen af støtteskinne og støtteskinneadapteren hurtige og rene snit. For at montere støtteskinneadapteren skal linealbjælken sættes ind i det firkantede hul i basen, så langt den kan komme. Fastgør boltene ordentligt med unbrakonøglen. (Fig. 28)

Monter støtteskinneadapteren på skinnen af støtteskinne. Sæt linealbjælken ind i det firkantede hul i støtteskinneadapteren. Placer basen på siden af støtteskinne og fastgør boltene ordentligt. (Fig. 29)

FORSIGTIG:

- Brug altid klingerne nr. B-8, B-13, B-16, B-17 eller 58 ved brug af støtteskinne og støtteskinneadapteren.

VEDLIGEHOLDELSE

FORSIGTIG:

- Sørg altid for, at maskinen er slukket, og at batteripakken er taget ud, før du forsøger at udføre inspektion eller vedligeholdelse.
- Brug aldrig benzin, benzen, fortynder, alkohol eller lignende. Det kan muligvis medføre misfarvning, deformation eller revner.

For at holde produktet SIKKERT og PÅLIDELIGT skal reparationer samt al anden vedligeholdelse eller justering udføres af autoriserede Makita-servicecentre, og der skal altid benyttes Makita-reservedele.

EKSTRAUDSTYR

FORSIGTIG:

- Dette tilbehør eller ekstraudstyr anbefales til brug med det Makita-værktøj, som er beskrevet i denne brugsanvisning. Brug af andet tilbehør eller ekstraudstyr kan forårsage personskade. Brug kun tilbehør eller ekstraudstyr til det formål, det er beregnet til.

Henvend dig til dit lokale Makita-servicecenter, hvis du har brug for hjælp eller yderligere oplysninger vedrørende tilbehøret.

- Klanger til stiksav
- Unbrakonøgle 4
- Sæt med parallelanslag (skinnelineal)
- Støtteskinneadaptersæt
- Støtteskinnesæt
- Anti-splintringsanordning
- Dækplade
- Mundstykkemontage
- Originalt batteri og oplader fra Makita

BEMÆRK:

- Visse dele på listen er muligvis indeholdt maskinindpakningen som standardtilbehør. De kan variere fra land til land.

Støj

Det typiske A-vægtede støjniveau bestemt i overensstemmelse med EN62841-2-11:

Model DJV142

Lydtryksniveau (L_{pA}): 78 dB (A)
Usikkerhed (K): 3 dB (A)

Støjniveauet under arbejdet kan muligvis overstige 80 dB (A).

Model DJV182

Lydtryksniveau (L_{pA}): 77 dB (A)
Usikkerhed (K): 3 dB (A)

Støjniveauet under arbejdet kan muligvis overstige 80 dB (A).

ENG905-1

ENG907-1

- De(n) angivne støjemissionsværdi(er) er målt i overensstemmelse med en standardtestmetode og kan anvendes til at sammenligne en maskine med en anden.
- De(n) angivne støjemissionsværdi(er) kan også anvendes i en præliminær eksponeringsvurdering.

ADVARSEL:

- **Bær høreværn.**
- **Støjemissionen under den faktiske anvendelse af maskinen kan være forskellig fra de(n) angivne værdi(er), afhængigt af den måde hvorpå maskinen anvendes, især den type arbejdsemne der behandles.**
- **Sørg for at identificere de sikkerhedsforskrifter til beskyttelse af operatøren, som er baseret på en vurdering af eksponering under de faktiske brugsforhold (med hensyntagen til alle dele i brugscyklussen, f.eks. de gange, hvor maskinen er slukket, og når den kører i tomgang i tilgift til afbrydertiden).**

Vibration

Den samlede vibrationsværdi (treaksiel vektorsum) bestemt i overensstemmelse med EN62841-2-11:

ENG900-1

Model DJV142

Arbejdstilstand: skæring i plader
Vibrationsemission ($a_{h,B}$): 7,0 m/s²
Usikkerhed (K): 1,5 m/s²

Arbejdstilstand: skæring i metalplader
Vibrationsemission ($a_{h,M}$): 4,0 m/s²
Usikkerhed (K): 1,5 m/s²

Model DJV182

Arbejdstilstand: skæring i plader
Vibrationsemission ($a_{h,B}$): 7,0 m/s²
Usikkerhed (K): 1,5 m/s²

Arbejdstilstand: skæring i metalplader
Vibrationsemission ($a_{h,M}$): 3,5 m/s²
Usikkerhed (K): 1,5 m/s²

ENG901-2

- De(n) angivne totalværdi(er) for vibration er målt i overensstemmelse med en standardtestmetode og kan anvendes til at sammenligne en maskine med en anden.

- De(n) angivne totalværdi(er) for vibration kan også anvendes i en præliminær eksponeringsvurdering.

⚠ ADVARSEL:

- **Vibrationsemissionen under den faktiske anvendelse af maskinen kan være forskellig fra de(n) angivne værdi(er), afhængigt af den måde hvorpå maskinen anvendes, især den type arbejdsemne der behandles.**
- **Sørg for at identificere de sikkerhedsforskrifter til beskyttelse af operatøren, som er baseret på en vurdering af eksponering under de faktiske brugsforhold (med hensyntagen til alle dele i brugscyklussen, f.eks. de gange, hvor maskinen er slukket, og når den kører i tomgang i tilgift til afbrydertiden).**

EF-overensstemmelseserklæring

Kun for lande i Europa

EF-overensstemmelseserklæringen er inkluderet som appendiks A til denne betjeningsvejledning.

ΕΛΛΗΝΙΚΑ (Πρωτογενείς οδηγίες)

Περιγραφή γενικής όψης

- | | | |
|--|---|-----------------------------------|
| 1. Κόκκινη ένδειξη | 13. Ελευθερωμένη θέση | 25. Διαβαθμίσεις |
| 2. Κουμπί | 14. Λάμα σέγας | 26. Εγκοπή V |
| 3. Κασέτα μπαταρίας | 15. Βάση | 27. Θήκη γραναζιών |
| 4. Ένδειξη άστρου | 16. Εξαγωνικό κλειδί | 28. Οπή έναρξης |
| 5. Ενδεικτικές λυχνίες | 17. Πλάκα κάλυψης | 29. Οδηγός κοπής |
| 6. Κουμπί ελέγχου | 18. Συσσκευή έναντι θραυσμάτων | 30. Κανόνας οδήγησης |
| 7. Μοχλός αλλαγής κοπτικής λειτουργίας | 19. Στόμιο σκόνης | 31. Κομβίο με σπείρωμα |
| 8. Διακόπτης κλειδώματος | 20. Βίδα σύσφιξης | 32. Κυκλικός οδηγητικός πείρος |
| 9. Σκανδάλη-διακόπτης | 21. Εύκαμπτος σωλήνας για απορροφητική σκούπα | 33. Ράβδος χάρακα |
| 10. Κουμπί κλειδώματος | 22. Γραμμή κοπής | 34. Προσαρμογέας οδηγητικής ράγας |
| 11. Επιλογέας ρύθμισης ταχύτητας | 23. Μπουλόνι | 35. Βίδα |
| 12. Σταθεροποιημένη θέση | 24. Λοξή σχισμή | 36. Οδηγητική ράγα |

ΠΡΟΔΙΑΓΡΑΦΕΣ

Μοντέλο	DJV142	DJV182	
Μήκος διαδρομής	26 mm	26 mm	
Μέγιστες ικανότητες κοπής	Ξύλο	135 mm	135 mm
	Χαλυβδοσίδηρος	10 mm	10 mm
	Αλουμίνιο	20 mm	20 mm
Διαδρομές το λεπτό (min ⁻¹)	800 - 3.500	800 - 3.500	
Ολικό μήκος	264 mm	266 mm	
Καθαρό βάρος	2,3 - 2,6 kg	2,4 - 2,7 kg	
Ονομαστική τιμή τάσης	D.C. 14,4 V	D.C. 18 V	

- Λόγω του συνεχόμενου προγράμματος που εφαρμόζουμε για έρευνα και ανάπτυξη, τα τεχνικά χαρακτηριστικά στο παρόν έντυπο υπόκεινται σε αλλαγή χωρίς προειδοποίηση.
- Τα τεχνικά χαρακτηριστικά ενδέχεται να διαφέρουν ανάλογα με τη χώρα.
- Το βάρος μπορεί να διαφέρει αναλόγως του προσαρτήματος(ων), συμπεριλαμβανομένης της κασέτας μπαταρίας. Ο ελαφρύτερος και ο βαρύτερος συνδυασμός, σύμφωνα με τη Διαδικασία-EPTA 01/2014, εμφανίζονται στον πίνακα.

Ισχύουσα κασέτα μπαταρίας και φορτιστής

Κασέτα μπαταρίας	D.C. 14,4V Μοντέλο	BL1415N/BL1430/BL1430B/BL1440/BL1450/BL1460B
	D.C. 18V Μοντέλο	BL1815N/BL1820/BL1820B/BL1830/BL1830B/BL1840/BL1840B/BL1850/BL1850B/BL1860B
Φορτιστής		DC18RC/DC18RD/DC18RE/DC18SD/DC18SE/DC18SF

- Μερικές από τις κασέτες μπαταριών και φορτιστές που παρατίθενται παρακάτω μπορεί να μην είναι διαθέσιμες ανάλογα με την περιοχή κατοικίας σας.

ΠΡΟΕΙΔΟΠΟΙΗΣΗ:

- Χρησιμοποιήστε μόνο τις κασέτες μπαταριών και τους φορτιστές που παρατίθενται παρακάτω. Η χρήση άλλων κασετών μπαταριών και φορτιστών μπορεί να προκαλέσει τραυματισμό ή/και φωτιά.


Προοριζόμενη χρήση

Το εργαλείο προορίζεται για το πρίονισμα ξύλου, πλαστικού και σιδηρούχων υλικών. Το εργαλείο μπορεί να χρησιμοποιηθεί για πολλές εφαρμογές και είναι κατάλληλο για καμτυλωτές ή κυκλικές τομές.

ENE019-1

Γενικές προειδοποιήσεις ασφαλείας για το ηλεκτρικό εργαλείο

GEA010-2

 **ΠΡΟΕΙΔΟΠΟΙΗΣΗ:** Διαβάστε όλες τις προειδοποιήσεις ασφάλειας, οδηγίες, εικονογραφήσεις και προδιαγραφές που παρέχονται με αυτό το ηλεκτρικό εργαλείο. Η μη τήρηση όλων των οδηγιών που αναγράφονται κατωτέρω μπορεί να καταλήξει σε ηλεκτροπληξία, πυρκαγιά ή/και σοβαρό τραυματισμό.

Φυλάξτε όλες τις προειδοποιήσεις και τις οδηγίες για μελλοντική παραπομπή.

Στις προειδοποιήσεις, ο όρος "ηλεκτρικό εργαλείο" αναφέρεται σε ηλεκτρικό εργαλείο που τροφοδοτείται από την κύρια παροχή ηλεκτρικού ρεύματος (με ηλεκτρικό καλώδιο) ή σε ηλεκτρικό εργαλείο που τροφοδοτείται από μπαταρία (χωρίς ηλεκτρικό καλώδιο).

Προειδοποιήσεις ασφάλειας για το φορητό παλινδρομικό πριόνι

GEB187-1

1. **Να κρατάτε το ηλεκτρικό εργαλείο από τις μονωμένες επιφάνειες λαβής όταν εκτελείτε εργασίες κατά τις οποίες το εξάρτημα κοπής μπορεί να έρθει σε επαφή με κρυμμένα καλώδια.** Σε περίπτωση επαφής του εξαρτήματος κοπής με ηλεκτροφόρο καλώδιο, μπορεί να εκτεθειμένα μεταλλικά εξαρτήματα του ηλεκτρικού εργαλείου να καταστούν τα ίδια ηλεκτροφόρα και να προκαλέσουν ηλεκτροπληξία στο χειριστή.
2. **Να χρησιμοποιείτε σφιγκτήρες ή κάποιο άλλο πρακτικό μέσο για να ασφαλίσετε και να στηρίζετε το τεμάχιο εργασίας σε μια σταθερή πλατφόρμα.** Αν κρατάτε το τεμάχιο εργασίας με το χέρι σας ή επάνω στο σώμα σας, θα είναι ασταθές και μπορεί να χάσετε τον έλεγχο.
3. **Να χρησιμοποιείτε πάντα γυαλιά ασφαλείας ή προστατευτικά γυαλιά.** Τα συνηθισμένα γυαλιά οράσεως ή γυαλιά ηλίου ΔΕΝ είναι γυαλιά ασφαλείας.
4. **Να αποφεύγετε την κοπή καρφιών.** Να επιθεωρείτε το τεμάχιο εργασίας για καρφιά και αφαιρέστε τα πριν από τη λειτουργία.
5. **Μην κόβετε υπερμεγέθη τεμάχια εργασίας.**
6. **Πριν από την κοπή, να ελέγχετε ότι υπάρχει επαρκής απόσταση πίσω από το τεμάχιο εργασίας ώστε η λάμα να μη χτυπήσει το δάπεδο, τον πάγκο εργασίας, κτλ.**
7. **Κρατάτε το εργαλείο σταθερά.**
8. **Να βεβαιώνετε ότι η λάμα δεν ακουμπάει το τεμάχιο εργασίας πριν ενεργοποιήσετε το διακόπτη.**
9. **Μην πλησιάζετε τα χέρια σας σε κινούμενα μέρη.**
10. **Μην αφήνετε το εργαλείο αναμμένο.** Να χειρίζεστε το εργαλείο μόνο όταν το κρατάτε στο χέρι.
11. **Να σβήνετε πάντα το εργαλείο και να περιμένετε να σταματήσει να κινείται εντελώς η λάμα πριν τη βγάλετε από το τεμάχιο εργασίας.**
12. **Μην αγγίζετε τη λάμα ή το τεμάχιο εργασίας αμέσως μετά τη λειτουργία.** Μπορεί να είναι εξαιρετικά ζεστά και να σας προκαλέσουν εγκαύματα.
13. **Μη θέτετε το εργαλείο σε λειτουργία χωρίς φορτίο όταν αυτό δεν είναι απαραίτητο.**
14. **Μερικά υλικά περιέχουν χημικά που μπορεί να είναι τοξικά.** Να προσέχετε ώστε να αποφεύγετε την εισπνοή σκόνης και την επαφή με το δέρμα. Να ακολουθείτε τα δεδομένα ασφάλειας του προμηθευτή υλικού.

15. **Να χρησιμοποιείτε πάντα προσωπίδα κατά της σκόνης/αναπνευστήρα που είναι κατάλληλα για το υλικό και την εφαρμογή σας.**

ΦΥΛΑΞΕΤΕ ΑΥΤΕΣ ΤΙΣ ΟΔΗΓΙΕΣ.

⚠️ ΠΡΟΕΙΔΟΠΟΙΗΣΗ:

ΜΗΝ επιτρέψετε στην άνεση ή στην εξοικείωσή σας με το προϊόν (που αποκτήθηκε από επανειλημμένη χρήση) να αντικαταστήσει την αυστηρή τήρηση των κανόνων ασφαλείας του παρόντος εργαλείου. Η ΛΑΝΘΑΣΜΕΝΗ ΧΡΗΣΗ ή η αμέλεια να ακολουθήσετε τους κανόνες ασφάλειας που διατυπώνονται στο παρόν εγχειρίδιο οδηγιών μπορεί να προκαλέσει σοβαρό προσωπικό τραυματισμό.

ΣΗΜΑΝΤΙΚΕΣ ΟΔΗΓΙΕΣ ΑΣΦΑΛΕΙΑΣ ΓΙΑ ΚΑΣΕΤΑ ΜΠΑΤΑΡΙΩΝ

ENC007-12

1. **Πριν χρησιμοποιήσετε την μπαταρία, διαβάστε όλες τις οδηγίες και τις ενδείξεις προφύλαξης στο (1) φορτιστή μπαταρίας, (2) την μπαταρία και (3) το προϊόν στο οποίο χρησιμοποιείται η μπαταρία.**
2. **Μην αποσυναρμολογείτε την μπαταρία.**
3. **Αν ο χρόνος λειτουργίας της μπαταρίας είναι υπερβολικά σύντομος, διακόψτε αμέσως τη λειτουργία.** Αν συνεχίσετε, μπορεί να έχει ως αποτέλεσμα τον κίνδυνο υπερθέρμανσης, πιθανών εγκαυμάτων και ακόμη έκρηξης.
4. **Αν μπει στα μάτια σας ηλεκτρολύτης, ξεπλύνετε με καθαρό νερό και αναζητήστε αμέσως ιατρική βοήθεια.** Μπορεί να χάσετε την όρασή σας.
5. **Μη βραχυκυκλώνετε την μπαταρία:**
 - (1) **Μην αγγίζετε τους ακροδέκτες με αγώγιμο υλικό.**
 - (2) **Μην αποθηκεύετε την μπαταρία σε δοχείο με άλλα μεταλλικά αντικείμενα, όπως καρφιά, νομίσματα, κτλ.**
 - (3) **Μην εκθέτετε την μπαταρία σε νερό ή βροχή.** Αν βραχυκυκλωθεί η μπαταρία, μπορεί να προκληθεί μεγάλη ροή ηλεκτρικού ρεύματος, υπερθέρμανση, πιθανά εγκαύματα και ακόμη και καταστροφή της μπαταρίας.
6. **Μην αποθηκεύετε το εργαλείο και την μπαταρία σε μέρη όπου η θερμοκρασία μπορεί να φτάσει ή να ξεπεράσει τους 50°C (122°F).**
7. **Μην αποτεφρώνετε την μπαταρία ακόμη κι αν παρουσιάζει σοβαρή ζημιά ή είναι εντελώς φθαρμένη.** Η μπαταρία μπορεί να εκραγεί σε φωτιά.
8. **Να προσέχετε να μη σας πέσει η μπαταρία και να μη συγκρούσει με κάποιο αντικείμενο.**
9. **Μη χρησιμοποιείτε μια μπαταρία που έχει υποστεί βλάβη.**
10. **Οι μπαταρίες ιόντων λιθίου που περιέχονται υπόκεινται στις απαιτήσεις της νομοθεσίας για επικίνδυνα αγαθά.**

Για εμπορικές μεταφορές, για παράδειγμα από τρίτα μέρη, πρέπει να τηρούνται οι διαμεταφορές, οι ειδικές απαιτήσεις στη συσκευασία και η επισήμανση. Για προετοιμασία του στοιχείου που αποστέλλεται, είναι απαραίτητο να συμβουλευτείτε έναν ειδικό για επικίνδυνα υλικά. Επίσης, τηρήστε τους πιθανούς, πιο

αναλυτικούς εθνικούς κανονισμούς.

Καλύψτε με αυτοκόλλητη ταινία ή κρύψτε τις ανοικτές επαφές και συσκευάστε την μπαταρία με τρόπο που να μην μπορεί να μετακινείται μέσα στη συσκευασία.

11. **Ακολουθήστε τους τοπικούς κανονισμούς σχετικά με την απόρριψη της μπαταρίας.**
12. **Χρησιμοποιείτε τις μπαταρίες μόνο με τα προϊόντα που καθορίζει η Makita.** Η τοποθέτηση των μπαταριών σε μη συμμορφούμενα προϊόντα μπορεί να προκαλέσει πυρκαγιά, υπερβολική ζέστη, έκρηξη ή διαρροή ηλεκτρολύτη.

ΦΥΛΑΞΤΕ ΑΥΤΕΣ ΤΙΣ ΟΔΗΓΙΕΣ.

⚠ ΠΡΟΣΟΧΗ: Να χρησιμοποιείτε μόνο γνήσιες μπαταρίες της Makita.

Η χρήση μη γνήσιων μπαταριών Makita, ή μπαταριών που έχουν τροποποιηθεί, μπορεί να έχει ως αποτέλεσμα τη ρήξη της μπαταρίας, προκαλώντας πυρκαγιά, προσωπικό τραυματισμό και βλάβη. Επίσης, θα ακυρωθεί η εγγύηση της Makita για το εργαλείο και φορτιστή Makita.

Συμβουλές για τη διατήρηση της μέγιστης ζωής της μπαταρίας

1. **Να φορτίζετε την μπαταρία πριν αποφορτιστεί εντελώς.**
Πάντοτε να διακόπτετε τη λειτουργία του εργαλείου και να φορτίζετε την μπαταρία όταν παρατηρείται μειωμένη ισχύ του εργαλείου.
2. **Ποτέ μην επαναφορτίζετε μια πλήρως φορτισμένη μπαταρία.**
Αν υπερφορτίσετε την μπαταρία, μειώνεται η ωφέλιμη διάρκεια ζωής της.
3. **Να φορτίζετε την μπαταρία σε θερμοκρασία δωματίου, δηλαδή στους 10°C έως 40°C (50°F έως 104°F).** Αν η μπαταρία είναι θερμή, αφήστε την να ψυχθεί πριν τη φορτίσετε.
4. **Φορτίστε την κασέτα μπαταρίας εάν δεν πρόκειται να την χρησιμοποιήσετε για περισσότερους από έξι μήνες.**

ΠΕΡΙΓΡΑΦΗ ΛΕΙΤΟΥΡΓΙΑΣ

⚠ ΠΡΟΣΟΧΗ:

- Να βεβαιώνετε πάντοτε ότι έχετε σβήσει το εργαλείο και έχετε βγάλει την κασέτα μπαταρίας πριν ρυθμίσετε ή ελέγξετε κάποια λειτουργία του εργαλείου.

Τοποθέτηση ή αφαίρεση της κασέτας μπαταρίας (Εικ. 1)

⚠ ΠΡΟΣΟΧΗ:

- Πάντοτε να απενεργοποιείτε το εργαλείο πριν από την τοποθέτηση ή την αφαίρεση της κασέτας μπαταρίας.
- **Κρατήστε το εργαλείο και την κασέτα μπαταρίας γερά κατά την τοποθέτηση ή την αφαίρεση της κασέτας μπαταρίας.** Εάν δεν κρατήσετε το εργαλείο και την μπαταρία καλά μπορεί να γλιστρήσουν από τα χέρια σας και να προκληθεί ζημιά στο εργαλείο και στη μπαταρία αλλά και προσωπικός τραυματισμός.

Για να βγάλετε την κασέτα μπαταρίας, σύρετε την από το εργαλείο ολισθάνοντας το κουμπί στο μπροστινό μέρος της κασέτας.

Για να τοποθετήσετε την κασέτα μπαταρίας, ευθυγραμμίστε τη γλωττίδα της κασέτας μπαταρίας με την εγκοπή στο περίβλημα και ολισθήστε τη στη θέση της. Τοποθετήστε τη έως το τέρμα, δηλαδή έως ότου ασφαλίσει στη θέση και ακουστεί ένας ασθενής ήχος "κλικ". Αν μπορείτε να δείτε την κόκκινη ένδειξη στην πάνω πλευρά του κουμπιού, η μπαταρία δεν είναι πλήρως ασφαλισμένη.

⚠ ΠΡΟΣΟΧΗ:

- Πάντοτε να τοποθετείτε πλήρως την κασέτα μπαταρίας για να μη φαίνεται η κόκκινη ένδειξη. Σε αντίθετη περίπτωση, μπορεί να πέσει κατά λάθος από το εργαλείο και να τραυματίσει εσάς ή κάποιον παρευρισκόμενο.
- Μην εισάγετε με τη βία την κασέτα μπαταρίας. Αν η κασέτα δεν ολισθαίνει με ευκολία, δεν την εισαγάγετε σωστά.

Σύστημα προστασίας μπαταρίας (Μπαταρία ιόντων λιθίου με την ένδειξη άστρου) (Εικ. 2)

Οι μπαταρίες ιόντων λιθίου με ένδειξη άστρου είναι εφοδιασμένες με ένα σύστημα προστασίας. Αυτό το σύστημα διακόπτει αυτόματα το ρεύμα στο εργαλείο για να παρατείνεται η διάρκεια ζωής της μπαταρίας. Το εργαλείο θα σταματήσει αυτόματα κατά τη λειτουργία όταν το εργαλείο και/ή η μπαταρία υποστούν τις παρακάτω συνθήκες:

- Υπερφόρτιση:
Το εργαλείο λειτουργεί με τρόπο που προκαλεί την κατανάλωση ασυνήθιστα υψηλής ποσότητας ρεύματος.
Στην περίπτωση αυτή, ελευθερώστε τη σκανδάλη-διακόπτη του εργαλείου και σταματήστε την εφαρμογή που προκάλεσε την υπερφόρτωση του εργαλείου. Στη συνέχεια, τραβήξτε τη σκανδάλη-διακόπτη ξανά για επανεκκίνηση.
Εάν το εργαλείο δεν ξεκινά, η μπαταρία έχει υπερθερμανθεί. Στην περίπτωση αυτή, αφήστε την μπαταρία να κρυώσει πριν τραβήξετε τη σκανδάλη-διακόπτη ξανά.
- Χαμηλή τάση μπαταρίας:
Η εναπομένουσα ποσότητα ρεύματος της μπαταρίας είναι πολύ χαμηλή και το εργαλείο δεν θα λειτουργήσει. Σε αυτήν την περίπτωση, αφαιρέστε και επαναφορτίστε τη μπαταρία.

Ένδειξη της εναπομένουσας χωρητικότητας της μπαταρίας

Μόνο για κασέτες μπαταρίας με την ενδεικτική λυχνία (Εικ. 3)

Πιέστε το κουμπί ελέγχου στην κασέτα μπαταριών για να υποδείξετε την υπολειπόμενη χωρητικότητα μπαταρίας. Οι ενδεικτικές λυχνίες ανάβουν για λίγα δευτερόλεπτα.

Ενδεικτικές λυχνίες			Εναπομένουσα χωρητικότητα
Αναμμένες	Σβηστές	Αναβοσβήνον	
■ ■ ■ ■	□ □ □ □	▲	75% έως 100%
■ ■ ■ □	□ □ □ □	▲	50% έως 75%
■ ■ □ □	□ □ □ □	▲	25% έως 50%
■ □ □ □	□ □ □ □	▲	0% έως 25%
▲	□ □ □ □	▲	Φορτίστε τη μπαταρία.
■ ■ □ □	□ □ □ □	▲	Η μπαταρία μπορεί να δυσλειτουργεί.

ΣΗΜΕΙΩΣΗ:

- Ανάλογα με τις συνθήκες χρήσης και τη θερμοκρασία περιβάλλοντος, η ένδειξη μπορεί να διαφέρει ελαφρώς από την πραγματική χωρητικότητα.

Επιλογή της κοπτικής λειτουργίας (Εικ. 4)

Μπορείτε να χρησιμοποιείτε το εργαλείο αυτό με κοπτική λειτουργία καμπύλης ή ευθείας (πάνω και κάτω). Με την κοπτική λειτουργία καμπύλης, η λάμα ωθείται προς τα εμπρός στη διαδρομή κοπής και αυξάνεται πολύ η ταχύτητα κοπής.

Για να αλλάξετε την κοπτική λειτουργία, απλά περιστρέψτε το μοχλό αλλαγής κοπτικής λειτουργίας στην επιθυμητή θέση κοπτικής λειτουργίας. Ανατρέξτε στον πίνακα για να επιλέξετε την κατάλληλη κοπτική λειτουργία.

Θέση	Κοπτική λειτουργία	Εφαρμογές
0	Κοπτική λειτουργία ευθείας γραμμής	Για το κόψιμο μαλακού ατσάλιου, ανοξείδωτο ατσάλιου και πλαστικών. Για το καθαρό κόψιμο ξύλου και κοντραπλακέ.
I	Κοπτική λειτουργία μικρής καμπύλης	Για το κόψιμο μαλακού ατσάλιου, αλουμινίου και σκληρού ξύλου.
II	Κοπτική λειτουργία μέτριας καμπύλης	Για το κόψιμο ξύλου και κοντραπλακέ. Για γρήγορο κόψιμο αλουμινίου και χαλυβδοσιδήρου.
III	Κοπτική λειτουργία μεγάλης καμπύλης	Για γρήγορο κόψιμο ξύλου και κοντραπλακέ.

006376

Δράση διακόπτη

⚠ ΠΡΟΣΟΧΗ:

- Πριν την τοποθέτηση της μπαταρίας στο εργαλείο, πάντοτε να ελέγχετε ότι η σκανδάλη-διακόπτης ενεργοποιείται κανονικά και επιστρέφει στη θέση "OFF" όταν την αφήνετε. (Εικ. 5)

Για να εκκινήσετε το εργαλείο:

Πιέστε το διακόπτη κλειδώματος για να θέσετε τη συσκευή στη λειτουργία αναμονής. Η ενέργεια αυτή ενεργοποιεί τη λυχνία επίσης.

Τραβήξτε τη σκανδάλη-διακόπτης για να ξεκινήσει το εργαλείο. Για να σταματήσετε το εργαλείο, αφήστε τη σκανδάλη-διακόπτης.

Για συνεχόμενη λειτουργία, τραβήξτε τη σκανδάλη-διακόπτης και κατόπιν σπρώξτε το κουμπί κλειδώματος.

Για να βγάλετε το εργαλείο από την κλειδωμένη θέση, τραβήξτε πλήρως τη σκανδάλη-διακόπτης και κατόπιν αφήστε την.

Στη λειτουργία αναμονής, πατήστε το διακόπτη κλειδώματος για να σβήσετε τη λυχνία και θέστε το εργαλείο στη λειτουργία κλειδώματος.

ΣΗΜΕΙΩΣΗ:

- Ο διακόπτης κλειδώματος δεν ενεργοποιείται κατά τη λειτουργία κοπής.
- Όταν η συσκευή βρίσκεται στη λειτουργία αναμονής, η λυχνία συνεχίζει να φωτίζει.
- Εάν το εργαλείο παραμένει για 10 δευτερόλεπτα χωρίς καμία εργασία στη λειτουργία αναμονής, το εργαλείο αυτόματα μεταβαίνει στη λειτουργία κλειδώματος και σβήνει η λυχνία.

Αναμμα των λυχνιών

⚠ ΠΡΟΣΟΧΗ:

- Μην κοιτάτε κατευθείαν μέσα στη λυχνία ή στην πηγή του φωτός της λυχνίας.

Για να ενεργοποιήσετε τη λυχνία, πατήστε διακόπτη κλειδώματος.

Για να απενεργοποιήσετε την λυχνία εντός των

10 δευτερολέπτων, πατήστε ξανά το διακόπτη κλειδώματος.

ΣΗΜΕΙΩΣΗ:

- Χρησιμοποιήστε ένα στεγνό πανί για να σκουπίσετε τη σκόνη από το φακό της λυχνίας. Προσέχετε να μη γρατζουνίσετε το φακό της λυχνίας, επειδή μπορεί να μειωθεί η ένταση του φωτισμού.
- Όταν υπερφορτώνεται το εργαλείο κατά τη λειτουργία, η λυχνία αναβοσβήνει. Αφήστε να κρυώσει εντελώς το εργαλείο πριν το λειτουργήσετε ξανά.

Επιλογέας ρύθμισης ταχύτητας (Εικ. 6)

Η ταχύτητα του εργαλείου μπορεί να ρυθμιστεί αδιαβάθμητα περιστρέφοντας τον επιλογέα ρύθμισης ταχύτητας. Μπορείτε να λάβετε την υψηλότερη ταχύτητα στο 6 και η χαμηλότερη ταχύτητα στο 1.

Ανατρέξτε στον πίνακα για να επιλέξετε τη σωστή ταχύτητα για το τεμάχιο εργασίας που θα κοπεί. Ωστόσο, η κατάλληλη ταχύτητα ενδοχομένων να διαφέρει ανάλογα με τον τύπο ή το πάχος του τεμαχίου εργασίας. Γενικά, οι υψηλότερες ταχύτητες σας επιτρέπουν να κόβετε τεμάχια εργασίας πιο γρήγορα, αλλά μειώνεται η διάρκεια ζωής της λάμας.

Τεμάχιο που πρόκειται να κοπεί	Αριθμηση στον επιλογέα ρύθμισης
Ξύλο	4 - 6
Χαλυβδοσίδηρος	3 - 6
Ανοξείδωτο ατσάλι	3 - 4
Αλουμίνιο	3 - 6
Πλαστικά	1 - 4

013925

⚠ ΠΡΟΣΟΧΗ:

- Ο επιλογέας ρύθμισης ταχύτητας έχει τη δυνατότητα ρύθμισης έως το 6 και ξανά πίσω στο 1. Μην τον εξαναγκάζετε πέρα από το 6 ή το 1, αλλιώς μπορεί να μη λειτουργήσει πλέον η ρύθμιση ταχύτητας.

ΣΗΜΕΙΩΣΗ:

- Όταν ο επιλογέας ρύθμισης ταχύτητας βρίσκεται στο 3 ή υψηλότερα, το εργαλείο μειώνει αυτόματα την ταχύτητα χωρίς φορτίο για τη μείωση των κραδασμών όταν δεν υπάρχει φορτίο. Όταν η συσκευή αποκτήσει φορτίο, ο αριθμός των στροφών του εργαλείου φτάνει στην προκαθορισμένη ταχύτητα. Στη συνέχεια, το εργαλείο διατηρεί την ταχύτητα, έως ότου να απενεργοποιηθεί. Όταν η θερμοκρασία είναι χαμηλή και είναι μειωμένη η ρευστότητα του γράσου, το εργαλείο μπορεί να μην διαθέτει αυτή τη λειτουργία ακόμη και αν περιστρέφεται το μοτέρ.

ΣΥΝΑΡΜΟΛΟΓΗΣΗ

⚠ ΠΡΟΣΟΧΗ:

- Να βεβαιώνετε πάντοτε ότι έχετε σβήσει το εργαλείο και έχετε βγάλει την κασέτα μπαταρίας πριν εκτελέσετε οποιαδήποτε εργασία σε αυτό.

Τοποθέτηση ή αφαίρεση της πριονωτής λάμας

⚠ ΠΡΟΣΟΧΗ:

- Να καθαρίζετε πάντοτε όλα τα θραύσματα και τα ξένα σώματα που έχουν προσκολληθεί στη λάμα ή/και στο σφιγκτήρα της λάμας. Αν δεν το κάνετε αυτό, μπορεί να

μην είναι αρκετά σφιγμένη η λάμα και να προκληθεί σοβαρός τραυματισμός.

- Μην αγγίζετε την λάμα ή το τεμάχιο εργασίας αμέσως μετά τη λειτουργία του εργαλείου. Μπορεί να είναι εξαιρετικά θερμά και να προκληθεί έγκαυμα στο δέρμα σας.
- Σφίξτε καλά την πριονωτή λάμα. Αν δεν το κάνετε αυτό, μπορεί να προκληθεί σοβαρός τραυματισμός.
- Όταν βγάζετε την πριονωτή λάμα, προσέχετε να μην τραυματίσετε τα δάκτυλα σας με την άκρη της λάμας ή τις μύτες του τεμαχίου εργασίας. (Εικ. 7)

Πριν από την εγκατάσταση της λάμας, βεβαιωθείτε ότι ο σφιγκτήρας της λάμας βρίσκεται στην ελεύθερη θέση. Για να εγκαταστήσετε τη λάμα, εισαγάγετε τη λάμα (η οδόντωση να βλέπει προς τα εμπρός) μέσα στο σφιγκτήρα της λάμας μέχρι να ασφαλίσει. Το στήριγμα της λάμας κινείται προς τη σταθερή θέση από μόνο του και η λάμα ασφαλίσει. Τραβήξτε ελαφρώς την λάμα για να βεβαιωθείτε ότι η λάμα δεν θα βγει έξω κατά τη λειτουργία.

⚠ ΠΡΟΣΟΧΗ:

- Μην ανοίξετε υπερβολικά τη συσκευή ανοίγματος διαφορετικά μπορεί να προκαλέσει φθορά του εργαλείου. (Εικ. 8)

Για να αφαιρέσετε τη λάμα, σπρώξτε τη συσκευή ανοίγματος προς τα εμπρός όσο μπορεί να πάει. Αυτό επιτρέπει την ελευθέρωση της λάμας.

ΣΗΜΕΙΩΣΗ:

- Περιστασιακά λιπάνετε τον κύλινδρο.

Αποθήκευση εξαγωνικού κλειδιού (Εικ. 9)

Όταν δεν χρησιμοποιείται το εξαγωνικό κλειδί, αποθηκεύστε το, όπως απεικονίζεται στην εικόνα για να μην το χάσετε.

Πλάκα κάλυψης (Εικ. 10)

Χρησιμοποιήστε την πλάκα κάλυψης κατά την κοπή διακοσμητικών επικαλύψεων, πλαστικών, κλπ. Προστατεύει τις ευαίσθητες ή λεπτές επιφάνειες από φθορά. Τοποθετήστε την στο πίσω μέρος της βάσης του εργαλείου.

Συσκευή έναντι θραυσμάτων (Εικ. 11)

Μπορεί να χρησιμοποιηθεί η συσκευή έναντι των θραυσμάτων για να γίνουν κοπές χωρίς θραύσματα. Για να εγκαταστήσετε τη συσκευή έναντι των θραυσμάτων, μετακινήστε τη βάση του εργαλείου μέχρι το τέρμα προς τα εμπρός και τοποθετήστε τη συσκευή από το πίσω μέρος της βάσης του εργαλείου. Όταν χρησιμοποιείτε την πλάκα κάλυψης, εγκαταστήστε τη συσκευή έναντι θραυσμάτων πάνω στην πλάκα κάλυψης.

⚠ ΠΡΟΣΟΧΗ:

- Η συσκευή έναντι των θραυσμάτων δεν μπορεί να χρησιμοποιηθεί όταν γίνονται λοξοτομές.

Αποβολή σκόνης

Συνιστάτε η χρήση του στομίου σκόνης (προαιρετικό αξεσουάρ) για καθαρές εργασίες κοπής. (Εικ. 12)
Για να προσαρτήσετε το στόμιο σκόνης στο εργαλείο, εισαγάγετε το άγκιστρο του στομίου σκόνης μέσα στην οπή της βάσης. (Εικ. 13)
Για να ασφαλίσετε το στόμιο σκόνης, σφίξτε τη βίδα σύσφιξης στο εμπρόσθιο μέρος του στομίου σκόνης.

Το στόμιο σκόνης μπορεί να τοποθετηθεί είτε στην αριστερή είτε στη δεξιά πλευρά της βάσης. **(Εικ. 14)**
Μετά συνδέστε την απορροφητική σκούπα της Makita στο στόμιο σκόνης.

ΛΕΙΤΟΥΡΓΙΑ

⚠ ΠΡΟΣΟΧΗ:

- Πάντοτε να διατηρείτε τη βάση επαφτόμενη με το τεμάχιο εργασίας. Αν δεν το κάνετε αυτό, μπορεί να σπασίσει η λάμα και να προκληθεί σοβαρός τραυματισμός.

ΣΗΜΕΙΩΣΗ:

- Αν το εργαλείο λειτουργεί συνεχόμενα έως ότου αποφορτιστεί η μπαταρία, αφήστε το εργαλείο σβηστό για 15 λεπτά πριν συνεχίσετε την εργασία με καινούργια μπαταρία. **(Εικ. 15)**

Ενεργοποιήστε το εργαλείο χωρίς η λάμα να έρχεται σε επαφή με οτιδήποτε και περιμένετε έως ότου η λάμα φτάσει στην πλήρη ταχύτητά της. Στη συνέχεια τοποθετήστε τη βάση επίπεδα πάνω στο τεμάχιο εργασίας και μετακινήστε με προσοχή το εργαλείο προς τα εμπρός κατά μήκος μιας προηγούμενα χαραγμένης γραμμής κοπής. Κατά την κοπή καμπυλών, προωθήστε το εργαλείο πολύ αργά.

Λοξοτομή (Εικ. 16)

⚠ ΠΡΟΣΟΧΗ:

- Να βεβαιώνετε πάντοτε ότι έχετε σβήσει το εργαλείο και έχετε βγάλει την κασέτα μπαταρίας πριν την κλίση της βάσης.

Με τη βάση υπό κλίση, μπορείτε να κάνετε λοξοτομές με οποιαδήποτε γωνία μεταξύ 0° και 45° (αριστερά ή δεξιά). **(Εικ. 17)**

Για να δώσετε κλίση στη βάση, ξεσφίξτε το μπουλόνι στο πίσω μέρος της βάσης με το εξαγωνικό κλειδί.

Μετακινήστε τη βάση ώστε το μπουλόνι να βρίσκεται στο κέντρο της λοξής σχισμής στη βάση. **(Εικ. 18)**

Δώστε κλίση στη βάση έως ότου αποκτηθεί η επιθυμητή γωνία κλίσης. Η εγκοπή V της θήκης γραναζιών δείχνει τη γωνία κλίσης με διαβαθμίσεις. Στη συνέχεια σφίξτε το μπουλόνι για να ασφαλίσετε τη βάση.

Μπροστινά επίπεδα κοψίματα (Εικ. 19)

Ξεσφίξτε το μπουλόνι στο πίσω μέρος της βάσης με το εξαγωνικό κλειδί και σπρώξτε τη βάση τελειως προς τα πίσω. Στη συνέχεια σφίξτε το μπουλόνι για να ασφαλίσετε τη βάση.

Αποκόμματα

Τα αποκόμματα μπορούν να γίνουν με μια από τις δυο μεθόδους Α ή Β.

Α) Ανοιγμα μιας οπής έναρξης: (Εικ. 20)

- Για εσωτερικά αποκόμματα χωρίς μια αρχική τομή από μια άκρη, ανοίξτε προκαταρκτικά μια οπή έναρξης διαμέτρου 12 mm ή περισσότερο. Εισάγετε την λεπίδα μέσα σε αυτή την τρύπα για να ξεκινήσετε την κοπή.

Β) Τόρνευση: (Εικ. 21)

- Δεν χρειάζεται να ανοίξετε μια οπή έναρξη ή να κάνετε μια αρχική κοπή εάν κάνετε με προσοχή τα παρακάτω.

- Δώστε στο εργαλείο μια κλίση προς τα πάνω στο μπροστινό άκρο της βάσης με το σημείο της λάμας να είναι τοποθετημένο λίγο πάνω από την επιφάνεια του τεμαχίου εργασίας.
- Εφαρμόστε πίεση στο εργαλείο έτσι ώστε το μπροστινό άκρο της βάσης να μην μετακινείται όταν ενεργοποιήσετε το εργαλείο και χαμηλώστε αργά με προσοχή το πίσω άκρο του εργαλείου.
- Καθώς η λάμα διαπερνά το τεμάχιο εργασίας, χαμηλώστε αργά την βάση του εργαλείου προς τα κάτω, πάνω στην επιφάνεια του τεμαχίου εργασίας.
- Ολοκληρώστε την τομή με τον κανονικό τρόπο.

Τελειώματα άκρων (Εικ. 22)

Για το κόψιμο των άκρων ή για να προσαρμόσετε στις διαστάσεις, προωθήστε τη λάμα ελαφρά κατά μήκος των άκρων που έγινε η τομή.

Κοπή μετάλλου

Όταν κόβετε μέταλλο, να χρησιμοποιείτε πάντοτε κατάλληλο ψυκτικό υγρό (λάδι κοπής). Αν δεν το κάνετε αυτό, θα προκληθεί πρόωρη φθορά της λεπίδας. Αντί της χρήσης του ψυκτικού μπορεί να γρασαριστεί το κάτω μέρος του τεμαχίου εργασίας.

Τοποθέτηση οδηγού κοπής (προαιρετικό αξεσουάρ)

⚠ ΠΡΟΣΟΧΗ:

- Να βεβαιώνετε πάντοτε ότι έχετε σβήσει το εργαλείο και έχετε βγάλει την κασέτα μπαταρίας πριν την τοποθέτηση ή την αφαίρεση των αξεσουάρ.

1. Ευθεία κοψίματα (Εικ. 23)

Όταν εκτελείτε κοψίματα πλάτους 160 mm ή λιγότερο, η χρήση του οδηγού κοπής θα εξασφαλίσει γρήγορα, καθαρά, ευθεία κοψίματα. **(Εικ. 24)**

Για την εγκατάσταση, εισαγάγετε τον οδηγό κοπής μέσα στην ορθογώνια τρύπα στο πλάι της βάσης εργαλείου με τον κανόνα οδήγησης στραμμένο προς τα κάτω. Σύρετε τον οδηγό κοπής στη θέση του επιθυμητού πλάτους κοπής, στη συνέχεια, σφίξτε το μπουλόνι για να το ασφαλίσετε.

2. Κυκλικές τομές (Εικ. 25 και 26)

Όταν κόβετε κύκλους ή τόξα με ακτίνα 170 mm ή λιγότερο, εγκαταστήστε τον οδηγό κοπής ως εξής.

- Εισάγετε τον οδηγό κοπής μέσα στην ορθογώνια τρύπα στο πλάι της βάσης με τον κανόνα οδήγησης στραμμένο προς τα πάνω. Εισάγετε τον κυκλικό οδηγητικό πείρο στη μια από τις δυο τρύπες του κανόνα οδήγησης. Βιδώστε το κομβίο με σπείρωμα πάνω στον πείρο για να ασφαλίσετε τον πείρο.
- Τώρα, σύρετε τον οδηγό κοπής στη θέση της επιθυμητής ακτίνας κοπής και σφίξτε το μπουλόνι για να το ασφαλίσετε στη θέση του. Στη συνέχεια, μετακινήστε τη βάση προς τα εμπρός.

ΣΗΜΕΙΩΣΗ:

- Πάντα να χρησιμοποιείτε τις λάμες Αρ. B-17, B-18, B-26 ή B-27 όταν κόβετε κύκλους ή τόξα.

Σετ προσαρμογέα οδηγητικής ράγας (προαιρετικό αξεσουάρ) (Εικ. 27)

Κατά την κοπή παράλληλων και ομοιόμορφων πλατών ή ευθειών κοπών, η χρήση της οδηγητικής ράγας και του προσαρμογέα της οδηγητικής ράγας θα εξασφαλίσει την δημιουργία γρήγορων και καθαρών κοπών.

Για την τοποθέτηση του προσαρμογέα της οδηγητικής ράγας, τοποθετήστε τη ράβδο χάρακα μέσα στην τετράγωνη τρύπα της βάσης όσο μακριά μπορεί να πάει. Ασφαλίστε καλά το μπουλόνι με το εξαγωνικό κλειδί.

(Εικ. 28)

Εγκαταστήστε τον προσαρμογέα της οδηγητικής ράγας πάνω στη ράγα της οδηγητικής ράγας. Εισάγετε τη ράβδο χάρακα μέσα στην τετράγωνη τρύπα στο προσαρμογέα της οδηγητικής ράγας. Τοποθετήστε τη βάση στην πλευρά της οδηγητικής ράγας και ασφαλίστε καλά το μπουλόνι.

(Εικ. 29)

ΠΡΟΣΟΧΗ:

- Πάντα να χρησιμοποιείτε τις λάμες Αρ. Β-8, Β-13, Β-16, Β-17 ή 58 όταν χρησιμοποιείτε την οδηγητική ράγα και τον προσαρμογέα της οδηγητικής ράγας.

ΣΥΝΤΗΡΗΣΗ

ΠΡΟΣΟΧΗ:

- Να βεβαιώνετε πάντοτε ότι έχετε σβήσει το εργαλείο και έχετε βγάλει την κασέτα μπαταρίας πριν εκτελέσετε οποιαδήποτε εργασία ελέγχου ή συντήρησης σε αυτό.
- Μην χρησιμοποιήσετε βενζίνη, βενζόλη, διαλυτικό, αλκοόλη ή κάτι παρόμοιο. Μπορεί να προκληθεί αποχρωματισμός, παραμόρφωση ή ρωγμές.

Για να διατηρείται η ΑΣΦΑΛΕΙΑ και η ΑΞΙΟΠΙΣΤΙΑ του προϊόντος, οι εργασίες επισκευής, καθώς και οποιαδήποτε άλλη εργασία συντήρησης ή ρύθμισης, θα πρέπει να εκτελούνται σε εξουσιοδοτημένα κέντρα εξυπηρέτησης της Makita και πάντοτε με τη χρήση ανταλλακτικών της Makita.

ΠΡΟΑΙΡΕΤΙΚΑ ΑΞΕΣΟΥΑΡ

ΠΡΟΣΟΧΗ:

- Συνιστάται η χρήση αυτών των αξεσουάρ ή εξαρτημάτων με το εργαλείο της Makita, όπως περιγράφεται στο παρόν εγχειρίδιο. Αν χρησιμοποιήσετε άλλα αξεσουάρ ή εξαρτήματα μπορεί να παρουσιαστεί κίνδυνος για πρόκληση τραυματισμού προσώπων. Να χρησιμοποιείτε τα αξεσουάρ και τα εξαρτήματα μόνο για το σκοπό για τον οποίο προορίζονται.

Αν χρειάζεστε κάποια βοήθεια ή περισσότερες πληροφορίες σχετικά με τα αξεσουάρ αυτά, απευθυνθείτε στο πλησιέστερο κέντρο εξυπηρέτησης της Makita.

- Λάμες σέγας
- Εξαγωνικό κλειδί 4
- Σετ οδηγού κοπής (Οδηγός χάρακας)
- Σετ προσαρμογέα οδηγητικής ράγας
- Σετ οδηγητικής ράγας
- Συσκευή έναντι θραυσμάτων
- Πλάκα κάλυψης
- Συγκρότημα στομίου σκόνης
- Αυθεντική μπαταρία και φορτιστής της Makita

ΣΗΜΕΙΩΣΗ:

- Ορισμένα από τα στοιχεία της λίστα μπορεί να περιέχονται στην συσκευασία του εργαλείου ως κανονικά αξεσουάρ. Αυτά ενδέχεται να διαφέρουν από χώρα σε χώρα.

Θόρυβος

ENG905-1

Το συνήθως Α-σταθμισμένο επίπεδο θορύβου που έχει καθοριστεί σύμφωνα με την EN62841-2-11:

Μοντέλο DJV142

Επίπεδο ηχητικής πίεσης (L_{pA}): 78 dB (A)

Αβεβαιότητα (K): 3 dB (A)

Το επίπεδο θορύβου σε λειτουργία ενδέχεται να υπερβεί τα 80 dB (A).

Μοντέλο DJV182

Επίπεδο ηχητικής πίεσης (L_{pA}): 77 dB (A)

Αβεβαιότητα (K): 3 dB (A)

Το επίπεδο θορύβου σε λειτουργία ενδέχεται να υπερβεί τα 80 dB (A).

ENG907-1

- Η δηλωμένη τιμή(ές) εκπομπής θορύβου έχει μετρηθεί σύμφωνα με την πρότυπη μέθοδο δοκιμής και μπορεί να χρησιμοποιηθεί για τη σύγκριση ενός εργαλείου με κάποιο άλλο.
- Η δηλωμένη τιμή(ές) εκπομπής θορύβου μπορεί να χρησιμοποιηθεί και στην προκαταρκτική αξιολόγηση της έκθεσης.

ΠΡΟΕΙΔΟΠΟΙΗΣΗ:

- **Να φοράτε ωτοασπίδες.**
- **Η εκπομπή θορύβου κατά τη χρήση του ηλεκτρικού εργαλείου σε πραγματικές συνθήκες μπορεί να διαφέρει από τη δηλωμένη τιμή(ές) ανάλογα με τους τρόπους χρήσης του εργαλείου, ιδιαίτερα το είδος του τεμαχίου εργασίας που υπόκειται επεξεργασία.**
- **Φροντίστε να λάβετε τα κατάλληλα μέτρα προστασίας του χειριστή βάσει ενός υπολογισμού της έκθεσης σε πραγματικές συνθήκες χρήσης (λαμβάνοντας υπόψη όλες τις συνιστώσες του κύκλου λειτουργίας όπως τους χρόνους που το εργαλείο είναι εκτός λειτουργίας και όταν βρίσκεται σε αδρανή λειτουργία πέραν του χρόνου ενεργοποίησης).**

Δόνηση

ENG900-1

Η συνολική τιμή δόνησης (διανυσματικό άθροισμα τριών αξόνων) που έχει καθοριστεί σύμφωνα με την EN62841-2-11:

Μοντέλο DJV142

Τρόπος λειτουργίας: κοπή σανίδων

Εκπομπή δόνησης ($a_{h,B}$): 7,0 m/s²

Αβεβαιότητα (K): 1,5 m/s²

Τρόπος λειτουργίας: κοπή μεταλλικού ελάσματος

Εκπομπή δόνησης ($a_{h,M}$): 4,0 m/s²

Αβεβαιότητα (K): 1,5 m/s²

Μοντέλο DJV182

Τρόπος λειτουργίας: κοπή σανίδων

Εκπομπή δόνησης ($a_{h,B}$): 7,0 m/s²

Αβεβαιότητα (K): 1,5 m/s²

Τρόπος λειτουργίας: κοπή μεταλλικού ελάσματος

Εκπομπή δόνησης ($a_{h,M}$): 3,5 m/s²

Αβεβαιότητα (K): 1,5 m/s²

ENG901-2

- Η δηλωμένη τιμή(ές) συνολικών κραδασμών έχει μετρηθεί σύμφωνα με την πρότυπη μέθοδο δοκιμής και μπορεί να χρησιμοποιηθεί για τη σύγκριση ενός εργαλείου με κάποιο άλλο.
- Η δηλωμένη τιμή(ές) συνολικών κραδασμών μπορεί να χρησιμοποιηθεί και στην προκαταρκτική αξιολόγηση της έκθεσης.

⚠ ΠΡΟΕΙΔΟΠΟΙΗΣΗ:

- Η εκπομπή κραδασμών κατά τη χρήση του ηλεκτρικού εργαλείου σε πραγματικές συνθήκες μπορεί να διαφέρει από τη δηλωμένη τιμή(ές) εκπομπής ανάλογα με τους τρόπους χρήσης του εργαλείου, ιδιαίτερα το είδος του τεμαχίου εργασίας που υπόκειται επεξεργασία.
- Φροντίστε να λάβετε τα κατάλληλα μέτρα προστασίας του χειριστή βάσει ενός υπολογισμού της έκθεσης σε πραγματικές συνθήκες χρήσης (λαμβάνοντας υπόψη όλες τις συνιστώσες του κύκλου λειτουργίας όπως τους χρόνους που το εργαλείο είναι εκτός λειτουργίας και όταν βρίσκεται σε αδρανή λειτουργία πέραν του χρόνου ενεργοποίησης).

ΕΚ – Δήλωση συμμόρφωσης

Για τις Ευρωπαϊκές Χώρες μόνο

Η δήλωση συμμόρφωσης ΕΚ περιλαμβάνεται ως παράρτημα Α σε αυτό το εγχειρίδιο οδηγιών.

TÜRKÇE (Orijinal talimatlar)

Genel görünüm

1. Kırmızı gösterge	13. Açık konum	25. Kademeler
2. Düşme	14. Dekupaj testere bıçağı	26. V girinti
3. Akü	15. Taban	27. Dişli muhafazası
4. Yıldız işareti	16. Alyan anahtarı	28. Başlangıç deliği
5. Gösterge lambaları	17. Kapak plakası	29. Kılavuz mesnedi
6. Kontrol düğmesi	18. Parçalanma önleyici parça	30. Mesnet kılavuzu
7. Kesim modu değiştirme mandalı	19. Toz nozülü	31. Dişli topuz
8. Kilit düğmesi	20. Mengene vidası	32. Dairesel kılavuz pimi
9. Açma/kapama düğmesi	21. Elektrikli süpürge hortumu	33. Ölçek çubuğu
10. Kilitleme düğmesi	22. Kesim çizgisi	34. Kılavuz ray adaptörü
11. Hız ayar düğmesi	23. Cıvata	35. Vida
12. Sabit konum	24. Eğim yuvası	36. Kılavuz rayı

ÖZELLİKLER

Model		DJV142	DJV182
Vuruş uzunluğu		26 mm	26 mm
Maks. kesim kapasiteleri	Ahşap	135 mm	135 mm
	Yumuşak çelik	10 mm	10 mm
	Alüminyum	20 mm	20 mm
Dakikada vuruş sayısı (dak ⁻¹)		800 - 3.500	800 - 3.500
Toplam uzunluk		264 mm	266 mm
Net ağırlık		2,3 - 2,6 kg	2,4 - 2,7 kg
Anma gerilimi		D.C. 14,4 V	D.C. 18 V

- Sürekli yapılan araştırma ve geliştirmelerden dolayı, burada belirtilen özellikler önceden bildirilmeksizin değiştirilebilir.
- Özellikler ülkeden ülkeye farklılıklar gösterebilir.
- Ağırlık, akü de dahil aksesuar(lar)a bağlı olarak değişebilir. EPTA Prosedürü 01/2014'e göre en düşük ve en yüksek ağırlıklı kombinasyonlar tabloda gösterilmiştir.

İlgili akü ve şarj cihazı

Akü	D.C. 14,4V Model	BL1415N/BL1430/BL1430B/BL1440/BL1450/BL1460B
	D.C. 18V Model	BL1815N/BL1820/BL1820B/BL1830/BL1830B/BL1840/BL1840B/BL1850/BL1850B/BL1860B
Şarj cihazı		DC18RC/DC18RD/DC18RE/DC18SD/DC18SE/DC18SF

- Listelenen akülerden ve şarj cihazlarından bazıları yaşadığınız bölgede bulunmayabilir.

⚠ UYARI:

- **Sadece yukarıda listelenen aküleri ve şarj cihazlarını kullanın.** Başka akülerin ve şarj cihazlarının kullanılması yaralanmalara ve/veya yangına yol açabilir.

Kullanım amacı

ENE019-1
Makine ahşap, plastik ve metal malzemelerin kesilmesi için tasarlanmıştır. Yürütülen kapsamlı aksesuar ve testere bıçağı programı neticesinde makine çok farklı amaçlar için kullanılabilir ve eğimli ve dairesel kesimlere oldukça uygundur.

uyulmaması elektrik şoku, yangın ve/veya ciddi yaralanmalar ile sonuçlanabilir.

Tüm uyarıları ve talimatları ilerde başvurmak için saklayın.

Uyarılardaki "elektrikli alet" terimi ile ya prizden çalışan (kordonlu) elektrikli aletiniz ya da kendi aküsü ile çalışan (kordonsuz) elektrikli aletiniz kastedilmektedir.

Genel elektrikli alet güvenliği uyarıları

GEA010-2

⚠ **UYARI:** Bu elektrikli aletle birlikte sunulan tüm güvenlik uyarılarını, talimatları, çizimleri ve teknik özellikleri okuyun. Aşağıda verilen talimatlara

Akülü dekupaj testere için güvenlik uyarıları

GEB187-1

1. Kesici aksesuarın görünmeyen kablolarla temas etme olasılığı bulunan yerlerde çalışırken elektrikli aleti yalıtımlı kavrama yüzeylerinden tutun. Kesici aksesuarın "akımlı" bir telle temas etmesi elektrikli aletin yalıtımsız metal kısımlarını "akımlı" hale getirebilir ve kullanıcıyı elektrik şokuna maruz bırakabilir.
2. İş parçasını sabit bir platforma bağlamak ve desteklemek için mengene veya başka bir pratik yol kullanın. İş parçasını elle veya vücudunuza dayayarak tutma onu dengesiz bırakır ve kontrol kaybına yol açabilir.
3. Daima koruyucu gözlükler kullanın. Normal gözlükler veya güneş gözlükleri koruyucu gözlük DEĞİLDİR.
4. Çivi kesmekten kaçının. İşleme başlamadan önce iş parçasını kontrol edip çivi varsa çıkarın.
5. Çok büyük parçaları kesmeyin.
6. Kesmeye başlamadan önce iş parçasının gerisinde bıçağın zemine, çalışma tezgahına vs. çarpmaması için yeterli boşluk bulunduğundan emin olun.
7. Aleti sıkı tutun.
8. Anahtarı açmadan önce bıçağın iş parçasına değmediğinden emin olun.
9. Ellerinizi hareketli parçalardan uzak tutun.
10. Aleti çalışır durumda bırakmayın. Aleti sadece elinizde tutarken çalıştırın.
11. Aleti iş parçasından çıkarmadan önce daima anahtarı kapatın ve bıçağın tamamen durmasını bekleyin.
12. Çalıştıktan hemen sonra bıçağa ya da iş parçasına dokunmayın; çok sıcak olabilir ve cildinizi yakabilirler.
13. Bu aleti gereksiz yere yüksüz çalıştırmayın.
14. Bazı malzemeler zehirli olabilen kimyasallar içerir. Toz yutmayı ve cilt temasını önlemek için tedbir alın. Malzeme sağlayıcısının güvenlik bilgilerine uyun.
15. Daima çalıştığınız malzeme ve yaptığınız işe uygun maske/respiratör kullanın.

BU TALİMATLARI MUHAFAZA EDİNİZ.

⚠ UYARI:

Ürünü kullanırken (defalarca kullanınca kazanılan) rahatlık ve tanıdıklık duygusunun ilgili ürünün güvenlik kurallarına sıkı sıkıya bağlı kalmanın yerine geçmesine İZİN VERMEYİN. YANLIŞ KULLANIM veya bu kullanma kılavuzunda belirtilen emniyet kurallarına uymama ciddi yaralanmaya neden olabilir.

BATARYA KARTUŞU HAKKINDA ÖNEMLİ GÜVENLİK TALİMATLARI

ENC007-12

1. Aküyü kullanmaya başlamadan önce (1) akü şarj cihazı, (2) akü ve (3) akünün takıldığı ürüne ilişkin tüm talimatları ve uyarıları okuyun.
2. Aküyü sökmeye çalışmayın.

3. Çalışma süresinde önemli bir kısıalma gözlerseniz, hemen çalışmayı bırakın. Bu durum aşırı ısınmaya, yangına ve hatta patlamaya yol açabilir.
4. Elektrolit (akü sıvısı) gözlerinize temas ederse, bol temiz suyla yıkayın ve derhal bir doktora başvurun. Elektrolit körlüğe neden olabilir.
5. Akünün kısa devre yapmasını önleyin:
 - (1) Herhangi bir iletken nesne ile akü uçlarına dokunmayın.
 - (2) Aküyü çivi, madeni para vb. metal nesnelere bulunduğu bir yerde saklamayın.
 - (3) Aküyü suya veya yağmura maruz bırakmayın. Aküde oluşan kısa devre büyük bir elektrik akımına, aşırı ısınmaya, yangına ve aletin bozulmasına yol açabilir.
6. Aleti ve aküyü 50°C (122°F) sıcaklığa ulaşabilecek veya bu değeri aşabilecek ortamlarda saklamayın.
7. Önemli ölçüde hasar görmüş veya tümüyle tükenmiş olsa da aküyü kesinlikle yakarak imha etmeye çalışmayın. Akü ateşe atıldığında patlayabilir.
8. Akünün düşmemesine ve darbe almamasına dikkat edin.
9. Hasarlı bir aküyü kesinlikle kullanmayın.
10. Aletin içerdiği lityum-iyon bataryalar Tehlikeli Eşyalar Yönetmeliğinin gereksinimlerine tabidir. Ticari nakliye işlemleri için, örneğin üçüncü taraflar, nakliye acenteleri tarafından yapılan nakliyelerde, paketleme ve etiketleme gereksinimlerine uyulmalıdır. Nakliyesi yapılacak ürünün hazırlanması için, tehlikeli maddeler konusunda uzman bir kişiye danışın. Lütfen muhtemelen daha ayrıntılı olan ulusal yönetmeliklere de uyun. Açık kontakları bantlayın ya da maskeleyin ve bataryayı paketin içinde hareket etmeyecek şekilde paketleyin.
11. Akünün atılması sırasında ilgili yönetmeliklere uyun.
12. Aküleri sadece Makita tarafından belirtilen ürünlerle kullanın. Akülerin, uyumlu olmayan ürünlere takılması yangına, aşırı ısınmaya, patlamaya veya elektrolit sızıntısına neden olabilir.

BU TALİMATLARI SAKLAYIN.

⚠ DİKKAT: Sadece orijinal Makita bataryalarını kullanın.

Orijinal olmayan Makita bataryaları ya da üzerine değişiklik yapılmış bataryaların kullanımı bataryanın patlamasına ve sonuç olarak yangın, kişisel yaralanma ve hasara neden olabilir. Ayrıca Makita aleti ve şarj aletinin Makita tarafından sunulan garantisine de geçersiz olur.

Akünün öngörülen maksimum ömrü dolana kadar kullanılması için öneriler

1. Aküyü tamamen boşalmasını beklemeden şarj edin. Aletin çalışma gücünde bir azalma gördüğünüzde, mutlaka çalışmayı bırakıp, aküyü şarj edin.
2. Tam olarak şarj edilmiş bir aküyü tekrar şarj etmeyin. Akünün normalden fazla şarj edilmesi ömrünü kısaltır.

3. Aküyü 10°C - 40°C (50°F - 104°F) değerlerini aşmayan oda sıcaklığında şarj edin. Akü ısınmışsa, şarj etmeden önce soğumasını bekleyin.
4. Uzun (altı ayı aşkın) bir süredir kullanmıyorsanız aküyü şarj edin.

KULLANIMA İLİŞKİN TANIMLAR

⚠ DİKKAT:

- Makine üzerinde ayar veya başka bir kontrol işlemi gerçekleştirmeden önce makinenin kapalı ve aküsünün çıkartılmış olduğundan emin olun.

Akünün takılması ve çıkartılması (Şekil 1)

⚠ DİKKAT:

- Aküyü takmadan ve çıkarmadan önce mutlaka makineyi kapalı konuma getirin.
- **Aküyü takarken ve çıkartırken makineyi ve aküyü sıkıca tutun.** Aksi takdirde, makine ve akü elinizden kayarak düşebilir ve neticesinde makine ve akü hasarları ve yaralanmalar meydana gelebilir.

Aküyü çıkarmak için akünün ön tarafında bulunan düğmeye bastırın ve aküyü çekerek makineden çıkartın. Aküyü takmak için aküdeki dili makine gövdesindeki girintiyle aynı hizaya getirin ve aküyü iterek yerine oturmasını sağlayın. Akünün tam yerine oturduğunu klik sesinden anlayabilirsiniz. Düğmenin üst tarafında bulunan kırmızı göstergelyi görüyorsanız, akü tam olarak kilitlenmemiştir.

⚠ DİKKAT:

- Kırmızı gösterge tamamen kayboluncaya kadar aküyü itin. Aksi takdirde, akü makineden kayıp düşebilir ve operatörün veya çevredeki kişilerin yaralanmasına neden olabilir.
- Aküyü zorlayarak takmaya çalışmayın. Akünün makineye rahatça takılmaması, yanlış takıldığını gösterir.

Akü koruma sistemi (Yıldız işaretli lityum akülerde) (Şekil 2)

Yıldız işaretli lityum akülerde koruma sistemi mevcuttur. Bu sistem, akü ömrünü uzatmak için makineye beslenen gücü otomatik olarak keser.

Makine ve/veya akü için aşağıda sıralanan durumlardan birinin geçerli olması halinde, çalışmayı otomatik olarak durdurur:

- Aşırı yüklenme:

Makine anormal yüksek akım çekecek şekilde çalışır. Böyle bir durumda, makine üzerindeki açma/kapama düğmesinden elinizi çekin ve makinenin aşırı yüklenmesine neden olan uygulamayı durdurun. Ardından, yeniden başlatmak için açma/kapama düğmesine tekrar basın.

Makine çalışmıyorsa, akü aşırı ısınmıştır. Böyle bir durumda, açma/kapama düğmesine tekrar basmadan önce akünün soğumasını bekleyin.

- Düşük akü gerilimi:

Kalan akü kapasitesi çok düşüktür ve makine çalışmıyordur. Böyle bir durumda, aküyü çıkartın ve şarj edin.

Kalan akü kapasitesinin kontrol edilmesi

Sadece göstergeli batarya kartuşları için (Şekil 3)

Kalan batarya kapasitesini göstermesi için batarya kartuşu üzerindeki kontrol düğmesine basın. Gösterge lambaları birkaç saniye yanar.

Gösterge lambaları			Kalan kapasite
Açık	Kapalı	Yanıp sönlüyor	
■	□	▬	%75 ile %100 arası
■	■	■	%50 ile %75 arası
■	■	□	%25 ile %50 arası
■	□	□	%0 ile %25 arası
▬	□	□	Aküyü şarj edin.
■	■	□	Akü bozulmuş olabilir.

NOT:

- Gösterilen kapasite seviyesi, kullanım koşullarına ve ortam sıcaklığına bağlı olarak gerçek seviyeden bir miktar farklı olabilir.

Kesim işleminin seçimi (Şekil 4)

Bu makine, orbital veya düz çizgi (yukarı ve aşağı) kesim modunda çalıştırılabilir. Orbital kesim modu, kesim vuruşunda bıçağı ileri doğru ittirir ve kesim hızını büyük ölçüde artırır.

Kesim modunu değiştirmek için sadece kesim modu değiştirme mandalını istediğiniz kesim modu konumuna getirmeniz yeterlidir. Uygun kesim modunu seçmek için tabloya bakın.

Konum	Kesim modu	Uygulamalar
0	Düz çizgi kesim modu	Yumuşak çeliği, paslanmaz çeliği ve plastiği kesmek için. Ahşapta ve kontrplakta temiz kesimler elde etmek için.
I	Küçük orbital kesim modu	Yumuşak çeliği, alüminyum ve sert ahşabı kesmek için.
II	Orta orbital kesim modu	Ahşabı ve kontrplağı kesmek için. Alüminyum ve yumuşak çeliği hızlı şekilde kesmek için.
III	Büyük orbital kesim modu	Ahşabı ve kontrplağı hızlı şekilde kesmek için.

006376

Açma/kapatma işlemi

⚠ DİKKAT:

- Aküyü makineye takmadan önce, açma/kapama düğmesinin kusursuz çalıştığını ve açma/kapama düğmesi bırakıldığında makinenin "KAPALI" konuma döndüğünü kontrol edin. (Şekil 5)

Makineyi çalıştırmak için:

Makineyi bekleme moduna getirmek için kilit düğmesine basın. Lamba yanmaya başlayacaktır.

Makineyi çalıştırmak için açma/kapama düğmesine basın.

Makineyi durdurmak için açma/kapama düğmesini serbest bırakın.

Makinenin sürekli çalışması için açma/kapama düğmesine ve ardından kilitleme düğmesine basın.

Makineyi kilitle konumdayken kapatmak için, açma/kapama düğmesine sonuna kadar bastıktan sonra parmağınızı çekin.

Bekleme modunda, lambayı kapatmak ve makineyi kilitleti moda almak için kilit düğmesine basın.

NOT:

- Kilit düğmesi, kesme işlemi sırasında çalışmaz.
- Makine bekleme modundayken lamba yanmaya devam eder.
- Makine, 10 saniye boyunca hiçbir işlem yapılmadan bekleme modunda bırakılırsa, makine otomatik olarak kilitleti moda geçer ve lamba söner.

Lambaların yakılması

⚠ DİKKAT:

- Doğrudan lambaya veya ışık kaynağına bakmayın. Lambayı yakmak için, kilit düğmesine basın. 10 saniye içerisinde lambayı söndürmek için, kilit düğmesine tekrar basın.

NOT:

- Lambanın lensindeki kiri silmek için kuru bir bez kullanın. Lensin çizilmemesine dikkat edin, aksi takdirde lambanın aydınlatma gücü azalır.
- Makine aşırı yüklenirse, lambadan çıkan ışık titremeye başlar. Tekrar çalıştırmadan önce makinenin tamamen soğumasını bekleyin.

Hız ayar düğmesi (Şekil 6)

Makine hızı, hız ayar düğmesi döndürülerek sonsuz kademede ayarlanabilir. En yüksek hız 6 konumunda ve en düşük hız 1 konumunda elde edilir.

Kesilecek işparçası için uygun hızı seçmek için tabloya bakın. Ancak, uygun hız, işparçasının tipine ve kalınlığına bağlı olarak değişebilir. Genel olarak, yüksek hızlar işparçalarını daha hızlı kesmenize izin verir, ancak bu durumda bıçağın kullanım ömrü kısaldır.

Kesilecek işparçası	Ayar düğmesi üzerindeki rakam
Ahşap	4 - 6
Yumuşak çelik	3 - 6
Paslanmaz çelik	3 - 4
Alüminyum	3 - 6
Plastik	1 - 4

⚠ DİKKAT:

- Hız ayar düğmesi, 6 konumuna kadar yükseltilebilir ve geri 1 konumuna düşürülebilir. Düğmeyi 6 konumunun üzerine ve 1 konumunun altına zorlamayın, aksi takdirde hız ayar işlevi doğru çalışmayabilir.

NOT:

- Hız ayar düğmesi 3 konumunda veya daha yüksek bir konumdayken, makine yüksüz titreşimi düşürmek üzere otomatik olarak yüksüz hızı düşürür. Makine yükü aldıktan sonra ayarlanan hıza ulaşır. Ardından, makine kapatılana kadar bu hızı korur. Sıcaklık ve gres akışkanlığı düşük olduğunda makine, motor dönerken dahi bu işleve sahip olmayabilir.

MONTAJ

⚠ DİKKAT:

- Makine üzerinde herhangi bir işlem yapmadan önce makinenin kapalı ve aküsünün çıkarılmış olduğundan emin olun.

Testere bıçağının takılması ve sökülmesi

⚠ DİKKAT:

- Bıçağa ve/veya bıçak yuvasına yapışan talaşı ve yabancı maddeleri mutlaka temizleyin. Aksi takdirde, bıçağın yeterli şekilde sıkılması engellenebilir ve ciddi yaralanmalar ortaya çıkabilir.
- Aşırı sıcak olabileceğinden, çalışmanız biter bitmez bıçağa veya işparçasına dokunmayın, aksi takdirde yanıklar meydana gelebilir.
- Testere bıçağını iyice sıkın. Aksi takdirde ciddi yaralanmalar meydana gelebilir.
- Testere bıçağını çıkartırken parmaklarınızın bıçağın üst kısmına veya işparçasının uçlarına temas edip, yaralanmamasına dikkat edin. (Şekil 7)

Bıçağı takmadan önce, bıçak yuvasının açık konumunda olduğundan emin olun.

Bıçağı takmak için, bıçağı (dişleri öne bakacak şekilde) kilitlenene kadar bıçak yuvasına bastırın. Bıçak yuvası kendi kendine sabit konuma gelir ve bıçak kilitletir. Bıçağın çalıştırma sırasında düşmeyeceğinden emin olmak için, bıçağı hafifçe çekmeye çalışın.

⚠ DİKKAT:

- Makine yuvasını gereğinden fazla açmayın, aksi takdirde makine zarar görebilir. (Şekil 8)
- Bıçağı sökmek için, makine yuvasını gittiği yere kadar ileri doğru bastırın. Bu işlem, bıçağın çıkmasını sağlar.

NOT:

- Makarayı arada sırada yağlayın.

Alyan anahtarının saklanması (Şekil 9)

Alyan anahtarı kullanılmadığında, kaybolmaması için şekilde gösterildiği gibi saklanmalıdır.

Kapak plakası (Şekil 10)

Dekoratif kaplama tahtalarını, plastikleri vs. keserken kapak plakasını kullanın. Plaka hassas ve nazik yüzeylerin zarar görmesini engelleyecektir. Plakayı makine tabanının arka kısmına yerleştirin.

Parçalanma önleyici parça (Şekil 11)

Parçalanma olmaksızın kesim yapmak için parçalanma önleyici parça kullanılabilir. Parçalanma önleyici parçayı takmak için makine tabanını ileriye doğru, sonuna kadar itinir ve parçayı makine tabanının arka kısmından takın. Kapak plakası kullanılırken parçalanma önleyici parçayı kapak plakasının üzerine yerleştirin.

⚠ DİKKAT:

- Parçalanma önleyici parça, eğimli kesim yapılırken kullanılamaz.

Toz giderimi

Temiz kesim işlemleri yürütülmesi için toz nozulü (opsiyonel aksesuar) kullanılması önerilir. (Şekil 12) Toz nozulünü makineye takmak için toz nozulünün kancasını tabandaki deliğe geçirin. (Şekil 13) Toz nozulünü sabitlemek için, toz nozulünün ön tarafındaki mengine vidasını sıkın. Toz nozulü tabanın sol ya da sağ tarafına takılabilir. (Şekil 14) Ardından, Makita elektrik süpürGESİNİ toz nozulüne bağlayın.

ÇALIŞTIRMA

⚠ DİKKAT:

- Her zaman tabanı işparçası ile aynı hizada tutun. Aksi takdirde bıçak kırılarak, ciddi yaralanmalara neden olabilir.

NOT:

- Makine, akü bitene kadar sürekli olarak çalıştırılmışsa, dolu bir akü ile yeniden çalışmaya başlamadan önce 15 dakika kadar bekleyin. (Şekil 15)

Bıçağa hiçbir şekilde temas etmeden makineyi açık konuma getirin ve bıçak tam hıza ulaşana kadar bekleyin. Daha sonra tabanı işparçasına tam temas edecek şekilde yerleştirin ve makineyi önceden işaretlenmiş kesim çizgisi boyunca yavaşça ilerletin. Eğrileri keserken makineyi çok yavaş şekilde hareket ettirin.

Eğimli kesim (Şekil 16)

⚠ DİKKAT:

- Tabanı eğmeden önce mutlaka makinenin kapalı ve akünün çıkartılmış olduğundan emin olun.

Taban eğildikten sonra 0° ile 45° (sola ya da sağa) arasında istediğiniz açıda eğimli kesim yapabilirsiniz. (Şekil 17)

Tabanı eğmek için, tabanın arkasındaki civatayı Alyan anahtarıyla gevşetin. Tabanı, civatanın tabandaki eğim yuvasının merkezine oturmasını sağlayacak şekilde hareket ettirin. (Şekil 18)

Tabanı istenen eğim açısı elde edilene kadar eğin. Dışlı muhafazasındaki V girintiyi kademeli olarak eğim açısını gösterir. Ardından, tabanı sabitlemek üzere civatayı iyice sıkın.

Silme ön kesimler (Şekil 19)

Tabanın arka kısmında bulunan civatayı Alyan anahtarıyla gevşetin ve tabanı tamamen geriye doğru kaydırın. Ardından, tabanı sabitlemek üzere civatayı sıkın.

Kesip çıkarma işlemi

Kesip çıkarma işlemi A veya B yöntemlerinden biri ile yapılabilir.

A) Bir başlangıç deliğinin açılması: (Şekil 20)

- Kenarla herhangi bir bağlantısı olmayan dahili kesip çıkarma işlemleri için öncelikle 12 mm çapında ya da daha geniş bir başlangıç deliği açın. Kesim işlemine başlamak için bıçağı bu deliğe sokun.

B) Bağlantı noktası kesim işlemi: (Şekil 21)

- Aşağıdaki aşamaları dikkatli bir şekilde takip etmeniz halinde bir başlangıç deliği açmanız ya da kılavuz kesmenize gerek kalmaz.
- Bıçağın ucunu iş parçası yüzeyinin hemen üzerine yerleştirerek makineyi tabanın ön kenarı üzerinde yukarı doğru eğin.
 - Makineyi çalıştırdığınızda tabanın ön kenarı hareket etmeyecek şekilde makineye basınç uygulayın ve daha sonra makinenin arka kenarını yavaşça alçaltın.
 - Bıçak işparçasını kestikçe makinenin tabanını işparçası yüzeyine doğru yavaş bir şekilde alçaltın.
 - Kesim işlemini standart şekilde tamamlayın.

Kenarların alınması (Şekil 22)

Kenarları kesmek veya boyut ayarlamaları yapmak için bıçağı kesilen kenar boyunca hafif şekilde ilerletin.

Metal kesim işlemi

Metal parçaları keserken daima uygun bir soğutucu (soğutucu yağı) kullanın. Aksi takdirde bıçak aşırı şekilde aşınabilir. Soğutucu kullanmak yerine işparçasının alt kısmı yağlanabilir.

Kılavuz mesnedi takımı (opsiyonel aksesuar)

⚠ DİKKAT:

- Aksesuarları takip çıkarmadan önce mutlaka makinenin kapalı ve aküsünün çıkartılmış olduğundan emin olun.

1. Düz kesimler (Şekil 23)

Sürekli olarak 160 mm genişliğinde veya daha dar kesimler yapılması durumunda kılavuz mesnedinin kullanılması hızlı, temiz ve düz kesimlerin elde edilmesini garanti edecektir. (Şekil 24)

Kılavuz mesnedini takmak için kılavuz mesnedini, mesnet kılavuzu alta bakacak şekilde makine tabanının yan kısmında bulunan kare delik içerisinde yerleştirin. Mesnet kılavuzunu istenen kesim genişliği konumuna kaydırın ve daha sonra sabitlemek için civatayı sıkın.

2. Dairesel kesimler (Şekil 25 ve 26)

Çapı 170 mm ya da daha küçük olan daireler veya arklar keserken kılavuz mesnedini aşağıda açıklandığı şekilde takın.

- Kılavuz mesnedini, mesnet kılavuzu üste bakacak şekilde tabanın yan kısmında bulunan kare delik içerisine yerleştirin. Dairesel kılavuz pimini mesnet kılavuzu üzerindeki iki delikten birinden geçirin. Pimi sabitlemek için pim üzerindeki dişli topuzu döndürerek sıkıştırın.
- Daha sonra kılavuz mesnedini istenen kesim çapına kaydırın ve yerine sabitlemek için civatayı sıkın. Son olarak, tabanı sonuna kadar ileriye doğru itinir.

NOT:

- Daire veya ark keserken mutlaka B-17, B-18, B-26 ya da B-27 numaralı bıçakları kullanın.

Kılavuz ray adaptörü takımı (opsiyonel aksesuar) (Şekil 27)

Paralel ve sabit genişlikte kesimler ya da düz kesimler yaparken kılavuz rayının ve kılavuz ray adaptörünün kullanılması hızlı ve temiz kesimler elde edilmesini sağlayacaktır.

Kılavuz ray adaptörünü takmak için, ölççek çubuğunu taban üzerindeki kare delik içerisinde gittiği yere kadar itirin. Alyan anahtarını kullanarak civatayı iyice sıkın.

(Şekil 28)

Kılavuz ray adaptörünü kılavuz rayının üzerine takın. Ölçek çubuğunu kılavuz ray adaptörü üzerindeki kare delik içerisine sokun. Tabanı kılavuz rayın ya tarafına yerleştirin ve civatayı iyice sıkın. (Şekil 29)

⚠ DİKKAT:

- Kılavuz rayı ve kılavuz ray adaptörü kullanırken mutlaka B-8, B-13, B-16, B-17 veya 58 numaralı bıçakları kullanın.

BAKIM

⚠ DİKKAT:

- Makede herhangi bir kontrol veya bakım işlemine başlamadan önce makinenin kapalı ve aküsünün çıkartılmış olduğundan emin olun.
 - Kesinlikle gazolin, benzin, tiner, alkol veya benzeri bir madde kullanmayın. Aksi takdirde renk bozulması, deformasyon veya çatlaklar meydana gelebilir.
- Ürünün EMNİYETLİ ve GÜVENİLİR durumda kalmasını sağlamak için tüm onarımlar, bakım ve ayarlar Makita yetkili servisleri veya fabrika servis merkezleri tarafından Makita yedek parçaları kullanılarak yapılmalıdır.

OPSİYONEL AKSESUARLAR

⚠ DİKKAT:

- Bu kullanım kılavuzunda tanıtilan Makita marka makineyle aşağıdaki aksesuarların ve parçaların kullanılması önerilir. Bunların dışında başka aksesuarların veya parçaların kullanılması yaralanmalara yol açabilir. Aksesuarlar ve parçalar doğru şekilde ve öngörüldükleri işlevler için kullanılmalıdır.

Aksesuarlara ilişkin daha ayrıntılı bilgi almak için size en yakın yetkili Makita servisine başvurabilirsiniz.

- Dekupaj testere bıçakları
- 4 numara Alyan anahtarı
- Kılavuz mesnedi (ölçek çubuğu) takımı
- Kılavuz ray adaptörü takımı
- Kılavuz rayı takımı
- Parçalanma önleyici parça
- Kapak plakası
- Toz nozülü tertibatı
- Orijinal Makita akü ve şarj cihazı

NOT:

- Listedeki bazı parçalar makineyle birlikte standart aksesuar olarak verilebilir. Ürünle verilen aksesuarlar ülkeden ülkeye farklılıklar gösterebilir.

Gürültü

ENG905-1

EN62841-2-11 uyarınca belirlenen tipik A ağırlıklı gürültü seviyesi:

DJV142 Modeli

Ses basıncı seviyesi (L_{pA}): 78 dB (A)
Belirsizlik (K): 3 dB (A)

Çalışma sırasında gürültü seviyesi 80 dB (A)'yı aşabilir.

DJV182 Modeli

Ses basıncı seviyesi (L_{pA}): 77 dB (A)
Belirsizlik (K): 3 dB (A)

Çalışma sırasında gürültü seviyesi 80 dB (A)'yı aşabilir.

ENG907-1

- Beyan edilen gürültü emisyonu değer(ler)i bir standart test yöntemine uygun şekilde ölçülmüştür ve bir aleti bir başkasıyla karşılaştırmak için kullanılabilir.
- Beyan edilen gürültü emisyonu değer(ler)i bir ön maruz kalma değerlendirmesi olarak da kullanılabilir.

⚠ UYARI:

- **Kulak koruyucuları takın.**
- **Elektrikli aletin gerçek kullanımı sırasında gürültü emisyonu, aletin kullanım biçimlerine, özellikle işlenen iş parçasının türüne bağlı olarak beyan edilen değer(ler)den farklı olabilir.**
- **Gerçek kullanım koşullarındaki tahmini maruziyeti baz alan, operatörü koruyacak güvenlik önlemlerini mutlaka belirleyin (çalışma döngüsü içerisinde aletin kapalı olduğu ve aktif durumda olmasının yanı sıra boşta çalıştığı zamanlar gibi, bütün zaman dilimleri göz önünde bulundurarak).**

Titreşim

ENG900-1

EN62841-2-11'e göre belirlenen toplam titreşim değeri (uç eksenli vektörel toplam):

DJV142 Modeli

Çalışma modu : pano kesimi
Titreşim emisyonu ($a_{h,B}$): 7,0 m/s²
Belirsizlik (K): 1,5 m/s²

Çalışma modu : metal sac kesimi
Titreşim emisyonu ($a_{h,M}$): 4,0 m/s²
Belirsizlik (K): 1,5 m/s²

DJV182 Modeli

Çalışma modu : pano kesimi
Titreşim emisyonu ($a_{h,B}$): 7,0 m/s²
Belirsizlik (K): 1,5 m/s²

Çalışma modu : metal sac kesimi
Titreşim emisyonu ($a_{h,M}$): 3,5 m/s²
Belirsizlik (K): 1,5 m/s²

ENG901-2

- Beyan edilen titreşim toplam değer(ler)i bir standart test yöntemine uygun şekilde ölçülmüştür ve bir aleti bir başkasıyla karşılaştırmak için kullanılabilir.
- Beyan edilen titreşim toplam değer(ler)i bir ön maruz kalma değerlendirmesi olarak da kullanılabilir.

⚠ UYARI:

- **Elektrikli aletin gerçek kullanımı sırasında titreşim emisyonu, aletin kullanım biçimlerine, özellikle işlenen iş parçasının türüne bağlı olarak beyan edilen değer(ler)den farklı olabilir.**

- Gerçek kullanım koşullarındaki tahmini maruziyeti baz alan, operatörü koruyacak güvenlik önlemlerini mutlaka belirleyin (çalışma döngüsü içerisinde aletin kapalı olduğu ve aktif durumda olmasının yanı sıra boşta çalıştığı zamanlar gibi, bütün zaman dilimleri göz önünde bulundurarak).

AT Uygunluk Beyanı

Yalnızca Avrupa ülkeleri için

AT uygunluk beyanı bu kullanım kılavuzunun Ek A'sında verilmiştir.

Makita Europe N.V. Jan-Baptist Vinkstraat 2,
3070 Kortenberg, Belgium

Makita Corporation 3-11-8, Sumiyoshi-cho,
Anjo, Aichi 446-8502 Japan