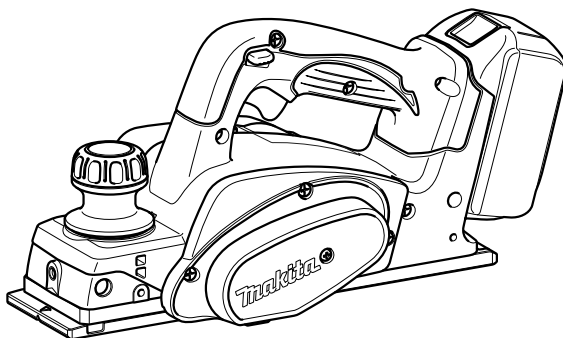




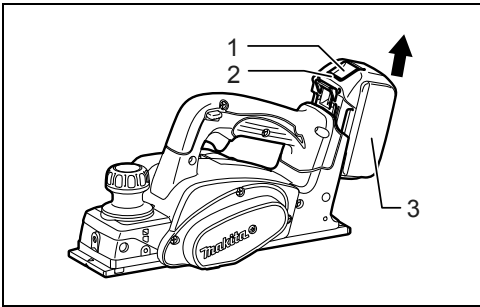
GB	Cordless Planer	Instruction manual
F	Rabot sans Fil	Manuel d'instructions
D	Akku-Hobel	Betriebsanleitung
I	Piallatrice a batteria	Istruzioni per l'uso
NL	Accuschaaf	Gebruiksaanwijzing
E	Cepillo Inalámbrico	Manual de instrucciones
P	Plaina a Bateria	Manual de instruções
DK	Batteridrevet høvl	Brugsanvisning
GR	Πλάνη μπαταρίας	Οδηγίες χρήσης

DKP140
DKP180



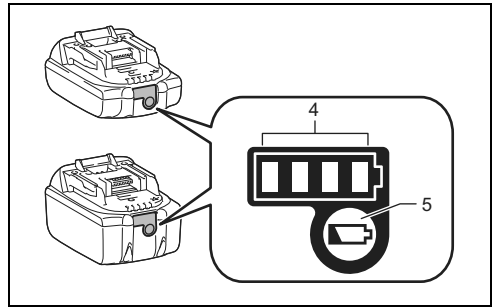
011751





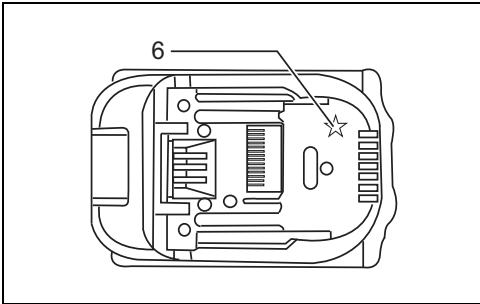
1

011755



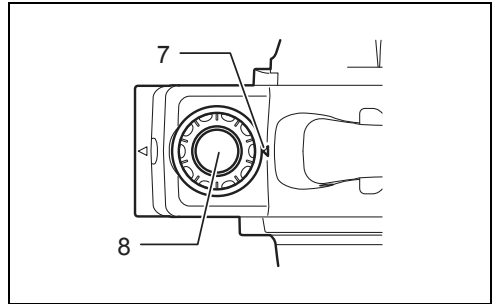
2

1007701



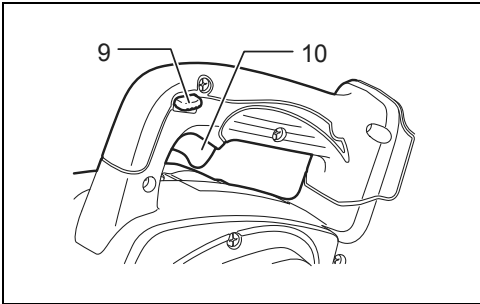
3

011389



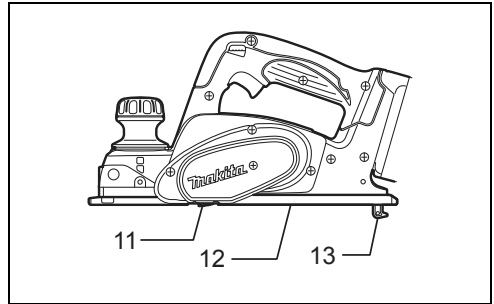
4

011737



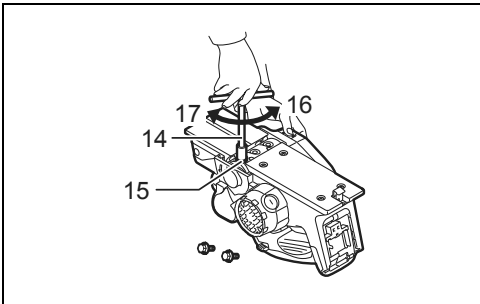
5

011738



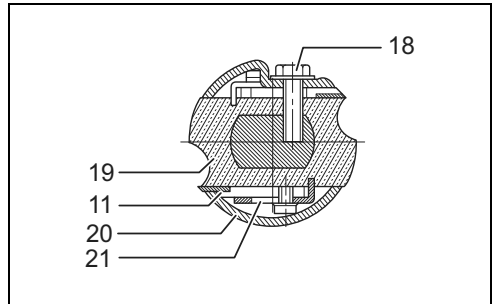
6

011739



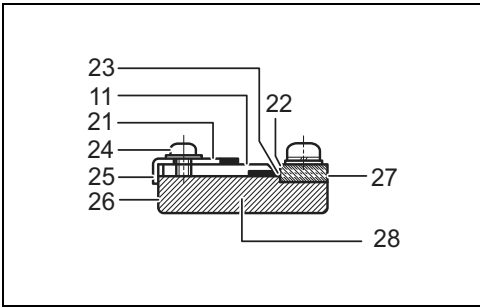
7

011740



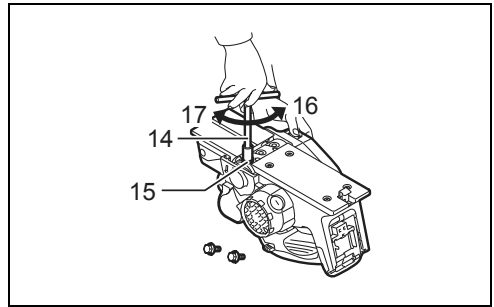
8

002555



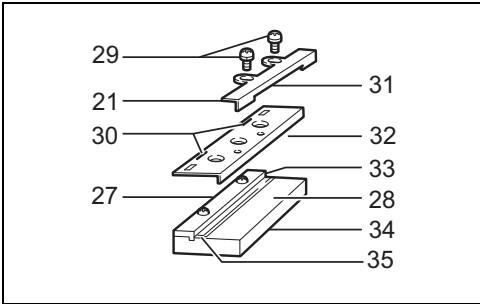
9

002556



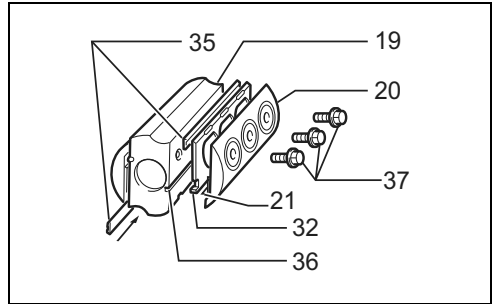
10

011740



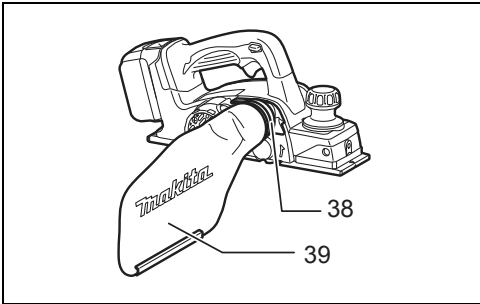
11

002565



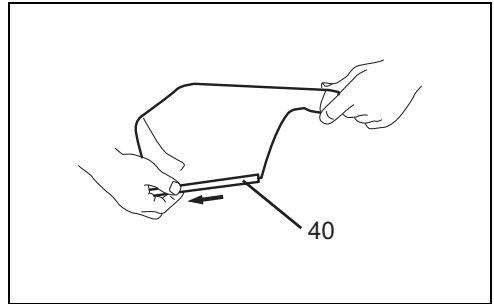
12

002566



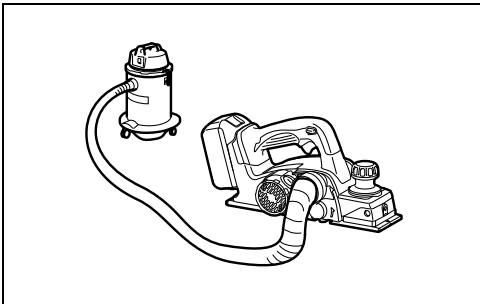
13

011741



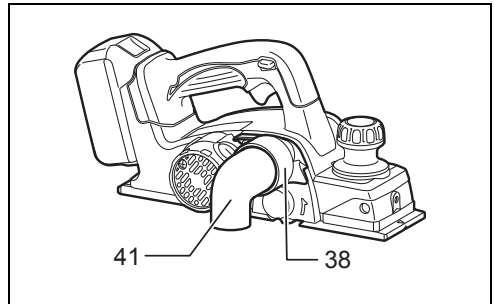
14

007802



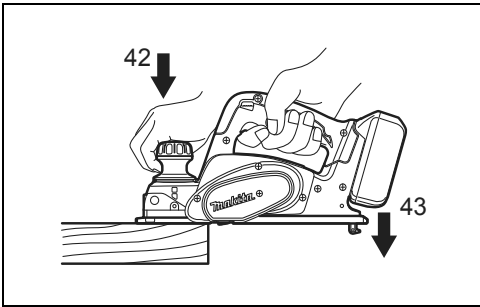
15

011757



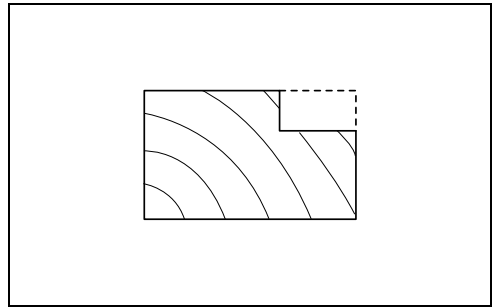
16

011758



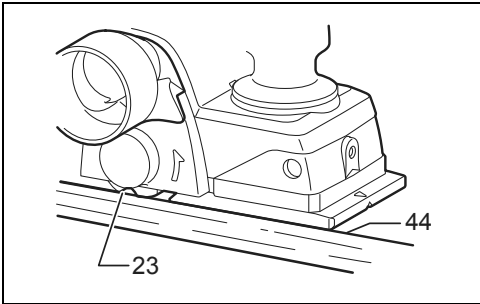
17

011759



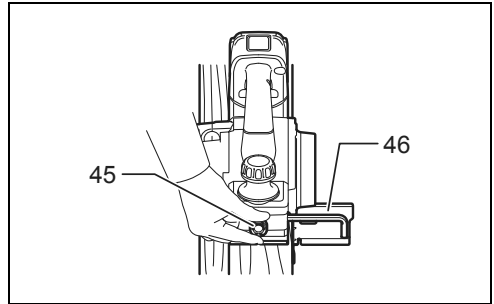
18

002580



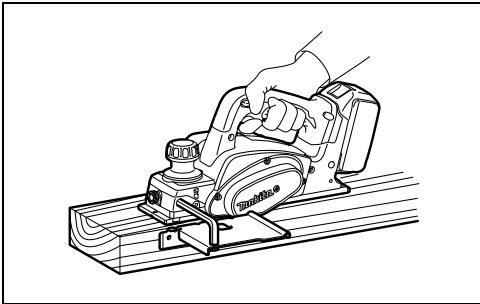
19

011752



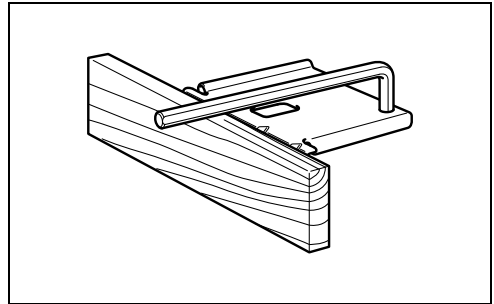
20

011760



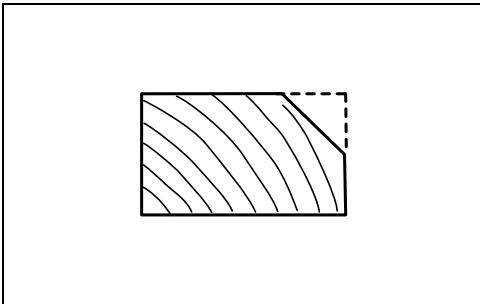
21

011761



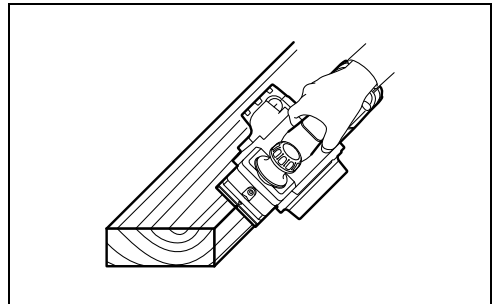
22

010183



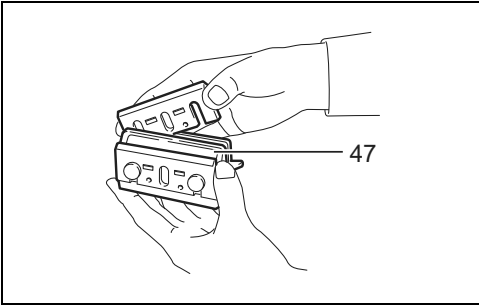
23

003634



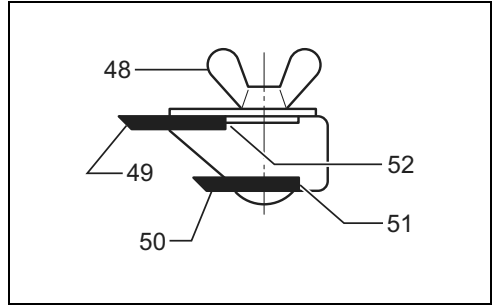
24

011748



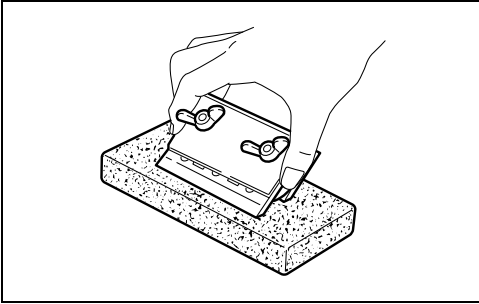
25

002588

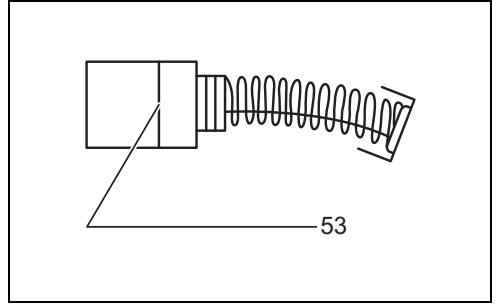


26

002589

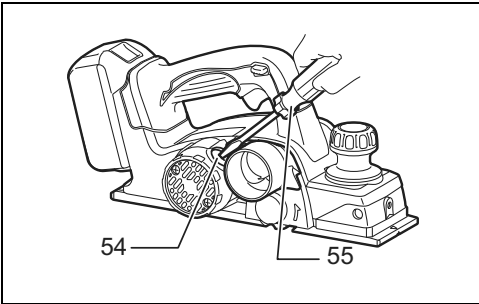


002590



28

001145



29

01175001

ENGLISH (Original instructions)

Explanation of general view

1. Button	20. Drum cover	39. Dust bag
2. Red indicator	21. Adjusting plate	40. Fastener
3. Battery cartridge	22. Inside edge of gauge plate	41. Elbow
4. Indicator lamps	23. Blade edge	42. Start
5. Check button	24. Screws	43. End
6. Star mark	25. Heel	44. Cutting line
7. Pointer	26. Back side of gauge base	45. Screw
8. Knob	27. Gauge plate	46. Edge fence (optional accessory)
9. Lock-off lever	28. Gauge base	47. Sharpening holder
10. Switch trigger	29. Pan head screw	48. Wing nut
11. Planer blade	30. Planer blade locating lugs	49. Blade (A)
12. Rear base	31. Heel of adjusting plate	50. Blade (B)
13. Foot	32. Set plate	51. Side (D)
14. Socket wrench	33. Inside flank of gauge plate	52. Side (C)
15. Bolt	34. Back side of gauge base	53. Limit mark
16. Loosen	35. Mini planer blade	54. Brush holder cap
17. Tighten	36. Groove	55. Screwdriver
18. Bolts	37. Hex. flange head bolts	
19. Drum	38. Nozzle	

SPECIFICATIONS

Model	DKP140	DKP180
Planing width		82 mm
Planing depth	1.6 mm	2 mm
Shiplapping depth		9 mm
No load speed (min ⁻¹)		15,000
Overall length	329 mm	333 mm
Net weight	3.0 - 3.3 kg	3.2 - 3.5 kg
Rated voltage	D.C. 14.4 V	D.C. 18 V

- Due to our continuing program of research and development, the specifications herein are subject to change without notice.
- Specifications may differ from country to country.
- The weight may differ depending on the attachment(s), including the battery cartridge. The lightest and heaviest combination, according to EPTA-Procedure 01/2014, are shown in the table.

Applicable battery cartridge and charger

Battery cartridge	D.C. 14.4 V Model	BL1415N/BL1430/BL1430B/BL1440/BL1450/BL1460B
	D.C. 18 V Model	BL1815N/BL1820/BL1820B/BL1830/BL1830B/BL1840/BL1840B/BL1850/BL1850B/BL1860B
Charger		DC18RC/DC18RD/DC18RE/DC18SD/DC18SE/DC18SF

- Some of the battery cartridges and chargers listed above may not be available depending on your region of residence.

WARNING:

- **Only use the battery cartridges and chargers listed above.** Use of any other battery cartridges and chargers may cause injury and/or fire.

Intended use

The tool is intended for planing wood.

ENE001-1

power tool. Failure to follow all instructions listed below may result in electric shock, fire and/or serious injury.

General power tool safety warnings

GEA010-2

 **WARNING: Read all safety warnings, instructions, illustrations and specifications provided with this**

Save all warnings and instructions for future reference.

The term "power tool" in the warnings refers to your mains-operated (corded) power tool or battery-operated (cordless) power tool.

CORDLESS PLANER SAFETY WARNINGS

GEb168-1

1. **Wait for the cutter to stop before setting the tool down.** An exposed rotating cutter may engage the surface leading to possible loss of control and serious injury.
2. **Use clamps or another practical way to secure and support the workpiece to a stable platform.** Holding the workpiece by your hand or against the body leaves it unstable and may lead to loss of control.
3. **Rags, cloth, cord, string and the like should never be left around the work area.**
4. **Avoid cutting nails. Inspect for and remove all nails from the workpiece before operation.**
5. **Use only sharp blades. Handle the blades very carefully.**
6. **Be sure the blade installation bolts are securely tightened before operation.**
7. **Hold the tool firmly with both hands.**
8. **Keep hands away from rotating parts.**
9. **Before using the tool on an actual workpiece, let it run for a while. Watch for vibration or wobbling that could indicate poor installation or a poorly balanced blade.**
10. **Make sure the blade is not contacting the workpiece before the switch is turned on.**
11. **Wait until the blade attains full speed before cutting.**
12. **Always switch off and wait for the blades to come to a complete stop before any adjusting.**
13. **Never stick your finger into the chip chute. Chute may jam when cutting damp wood. Clean out chips with a stick.**
14. **Do not leave the tool running. Operate the tool only when hand-held.**
15. **Always change both blades or covers on the drum, otherwise the resulting imbalance will cause vibration and shorten tool life.**
16. **Use only Makita blades specified in this manual.**
17. **Always use the correct dust mask/respirator for the material and application you are working with.**

SAVE THESE INSTRUCTIONS.

WARNING:

DO NOT let comfort or familiarity with product (gained from repeated use) replace strict adherence to safety rules for the subject product.

MISUSE or failure to follow the safety rules stated in this instruction manual may cause serious personal injury.

IMPORTANT SAFETY INSTRUCTIONS FOR BATTERY CARTRIDGE

ENC007-12

1. **Before using battery cartridge, read all instructions and cautionary markings on (1) battery charger, (2) battery, and (3) product using battery.**
2. **Do not disassemble battery cartridge.**
3. **If operating time has become excessively shorter, stop operating immediately. It may result in a risk of overheating, possible burns and even an explosion.**
4. **If electrolyte gets into your eyes, rinse them out with clear water and seek medical attention right away. It may result in loss of your eyesight.**
5. **Do not short the battery cartridge:**
 - (1) **Do not touch the terminals with any conductive material.**
 - (2) **Avoid storing battery cartridge in a container with other metal objects such as nails, coins, etc.**
 - (3) **Do not expose battery cartridge to water or rain.**

A battery short can cause a large current flow, overheating, possible burns and even a breakdown.

6. **Do not store the tool and battery cartridge in locations where the temperature may reach or exceed 50°C (122°F).**
7. **Do not incinerate the battery cartridge even if it is severely damaged or is completely worn out. The battery cartridge can explode in a fire.**
8. **Be careful not to drop or strike battery.**
9. **Do not use a damaged battery.**
10. **The contained lithium-ion batteries are subject to the Dangerous Goods Legislation requirements.** For commercial transports e.g. by third parties, forwarding agents, special requirement on packaging and labeling must be observed. For preparation of the item being shipped, consulting an expert for hazardous material is required. Please also observe possibly more detailed national regulations. Tape or mask off open contacts and pack up the battery in such a manner that it cannot move around in the packaging.
11. **Follow your local regulations relating to disposal of battery.**
12. **Use the batteries only with the products specified by Makita.** Installing the batteries to non-compliant products may result in a fire, excessive heat, explosion, or leak of electrolyte.

SAVE THESE INSTRUCTIONS.

CAUTION: Only use genuine Makita batteries.

Use of non-genuine Makita batteries, or batteries that have been altered, may result in the battery bursting causing fires, personal injury and damage. It will also void the Makita warranty for the Makita tool and charger.

Tips for maintaining maximum battery life

1. **Charge the battery cartridge before completely discharged.**
Always stop tool operation and charge the battery cartridge when you notice less tool power.
2. **Never recharge a fully charged battery cartridge.**
Overcharging shortens the battery service life.
3. **Charge the battery cartridge with room temperature at 10°C - 40°C (50°F - 104°F). Let a hot battery cartridge cool down before charging it.**
4. **Charge the battery cartridge if you do not use it for a long period (more than six months).**

FUNCTIONAL DESCRIPTION

⚠ CAUTION:

- Always be sure that the tool is switched off and the battery cartridge is removed before adjusting or checking function on the tool.








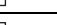







Installing or removing battery cartridge (Fig. 1)

- Always switch off the tool before installing or removing of the battery cartridge.
- To remove the battery cartridge, slide it from the tool while sliding the button on the front of the cartridge.
- To install the battery cartridge, align the tongue on the battery cartridge with the groove in the housing and slip it into place. Always insert it all the way until it locks in place with a little click. If you can see the red indicator on the upper side of the button, it is not locked completely. Install it fully until the red indicator cannot be seen. If not, it may accidentally fall out of the tool, causing injury to you or someone around you.
- Do not use force when installing the battery cartridge. If the cartridge does not slide in easily, it is not being inserted correctly.

Indicating the remaining battery capacity

Only for battery cartridges with the indicator (Fig. 2)

Press the check button on the battery cartridge to indicate the remaining battery capacity. The indicator lamps light up for a few seconds.

Indicator lamps			Remaining capacity
 Lighted	 Off	 Blinking	
			75% to 100%
			50% to 75%
			25% to 50%
			0% to 25%
			Charge the battery.
			The battery may have malfunctioned.

NOTE:

- Depending on the conditions of use and the ambient temperature, the indication may differ slightly from the actual capacity.

Battery protection system (Battery cartridge with a star mark) (Fig. 3)

The battery cartridge with a star mark is equipped with the protection system, which automatically cuts off the output power for its long service life.

The tool stops during operation when the tool and/or battery are placed under the following situation. This is caused by the activation of protection system and does not show the tool trouble.

- When the tool is overloaded:
At this time, release the switch trigger, remove the battery cartridge and remove causes of overload and then pull the switch trigger again to restart.
- When battery cells get hot:
If any operation of the switch trigger, the motor will remain stopped. At this time, stop use of the tool and cool or charge the battery cartridge after removing it from the tool.
- When the remaining battery capacity gets low:
If any operation of the switch trigger, the motor will remain stopped. At this time, remove the battery cartridge from the tool and charge it.

Adjusting depth of cut (Fig. 4)

Depth of cut may be adjusted by simply turning the knob on the front of the tool so that the pointer points the desired depth of cut.

Switch action (Fig. 5)

⚠ CAUTION:

- Before installing the battery cartridge into the tool, always check to see that the switch trigger actuates properly and returns to the "OFF" position when released.
- Do not pull the switch trigger hard without pressing the lock-off lever. This can cause switch breakage.

To prevent the switch trigger from being accidentally pulled, a lock-off lever is provided. To start the tool, slide the lock-off lever and pull the switch trigger. Release the switch trigger to stop.

⚠ WARNING:

- For your safety, this tool is equipped with lock-off lever which prevents the tool from unintended starting. NEVER use the tool if it runs when you simply pull the switch trigger without pressing the lock-off lever. Return tool a MAKITA service center for proper repairs BEFORE further usage.
- NEVER tape down or defeat purpose and function of lock-off lever.

Foot (Fig. 6)

After a cutting operation, raise the back side of the tool and a foot comes under the level of the rear base. This prevents the tool blades to be damaged.

ASSEMBLY

CAUTION:

- Always be sure that the tool is switched off and the battery cartridge is removed before carrying out any work on the tool.

Removing or installing planer blades

CAUTION:

- Tighten the blade installation bolts carefully when attaching the blades to the tool. A loose installation bolt can be dangerous. Always check to see they are tightened securely.
- Handle the blades very carefully. Use gloves or rags to protect your fingers or hands when removing or installing the blades.
- Use only the Makita wrench provided to remove or install the blades. Failure to do so may result in overtightening or insufficient tightening of the installation bolts. This could cause an injury.

For tool with conventional planer blades (Fig. 7 - 9)

To remove the blades on the drum, unscrew the installation bolts with the socket wrench. The drum cover comes off together with the blades.

To install the blades, first clean out all chips or foreign matter adhering to the drum or blades. Use blades of the same dimensions and weight, or drum oscillation/vibration will result, causing poor planing action and, eventually, tool breakdown.

Place the blade on the gauge base so that the blade edge is perfectly flush with the inside edge of the gauge plate. Place the adjusting plate on the blade, then simply press in the heel of the adjusting plate flush with the back side of the gauge base and tighten two screws on the adjusting plate. Now slip the heel of the adjusting plate into the drum groove, then fit the drum cover on it. Tighten all the installation bolts evenly and alternately with the socket wrench.

Repeat the above procedures for the other blade.

For tool with mini planer blades (Fig. 10)

1. Remove the existing blade, if the tool has been in use, carefully clean the drum surfaces and the drum cover.
To remove the blades on the drum, unscrew the three installation bolts with the socket wrench. The drum cover comes off together with the blades. (Fig. 11)
2. To install the blades, loosely attach the adjusting plate to the set plate with the pan head screws and set the mini planer blade on the gauge base so that the cutting edge of the blade is perfectly flush with the inside flank of the gauge plate.
3. Set the adjusting plate/set plate on the gauge base so that the planer blade locating lugs on the set plate rest in the mini planer blade groove, then press in the heel of the adjusting plate flush with the back side of the gauge base and tighten the pan head screws.
4. It is important that the blade sits flush with the inside flank of the gauge plate, the planer blade locating lugs sit in the blade groove and the heel of the adjusting plate is flush with the back side of the gauge base. Check this alignment carefully to ensure uniform cutting.
5. Slip the heel of the adjusting plate into the groove of the drum. (Fig. 12)

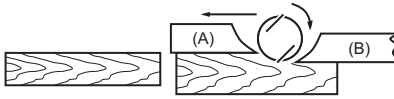
6. Set the drum cover over the adjusting plate/set plate and screw in the three hex flange head bolts so that a gap exists between the drum and the set plate to slide the mini planer blade into position. The blade will be positioned by the planer blade locating lugs on the set plate.
7. The blade's lengthwise adjustment will need to be manually positioned so that the blade ends are clear and equidistant from the housing on one side and the metal bracket on the other.
8. Tighten the three hex flange head bolts (with the socket wrench provided) and rotate the drum to check clearances between the blade ends and the tool body.
9. Check the three hex flange head bolts for final tightness.
10. Repeat procedures 1 - 9 for the other blade.

For the correct planer blade setting

Your planing surface will end up rough and uneven, unless the blade is set properly and securely. The blade must be mounted so that the cutting edge is absolutely level, that is, parallel to the surface of the rear base. Refer to some examples below for proper and improper settings.

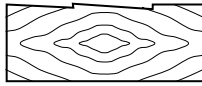
- (A) Front base (Movable shoe)
- (B) Rear base (Stationary shoe)

Correct setting



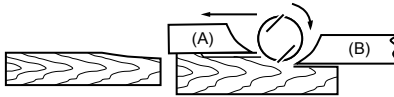
Although this side view cannot show it, the edges of the blades run perfectly parallel to the rear base surface.

Nicks in surface



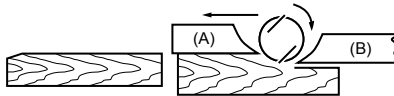
Cause: One or both blades fails to have edge parallel to rear base line.

Gouging at start



Cause: One or both blade edges fails to protrude enough in relation to rear base line.

Gouging at end



Cause: One or both blade edges protrudes too far in relation to rear base line.

EN0004-1

Dust bag (accessory) (Fig. 13)

For tool without nozzle

Remove the chip cover and install the nozzle (optional accessory). Attach the dust bag onto the nozzle. The nozzle is tapered. When attaching the dust bag, push it onto the nozzle firmly as far as it will go to prevent it from coming off during operation.

For tool with nozzle

Attach the dust bag onto the nozzle. The nozzle is tapered. When attaching the dust bag, push it onto the nozzle firmly as far as it will go to prevent it from coming off during operation. (Fig. 14)

When the dust bag is about half full, remove the dust bag from the tool and pull the fastener out. Empty the dust bag of its contents, tapping it lightly so as to remove particles adhering to the insides which might hamper further collection.

NOTE:

- If you connect a Makita vacuum cleaner to this tool, more efficient and cleaner operations can be performed.

Connecting a vacuum cleaner (Fig. 15)

For tool without nozzle

When you wish to perform clean planing operation, connect a Makita vacuum cleaner to your tool. Before connecting the vacuum cleaner, remove the chip cover from the tool. Then connect a hose of the vacuum cleaner to the nozzle (optional accessory) as shown in the figures.

For tool with nozzle

When you wish to perform clean planing operation, connect a Makita vacuum cleaner to your tool. Then connect a hose of the vacuum cleaner to the nozzle as shown in the figures.

Elbow (optional accessory) (Fig. 16)

Use of elbow allows change of chip discharge direction to perform cleaner work.

For tool without nozzle

Remove the chip cover and install the nozzle (optional accessory). Attach the elbow (optional accessory) on the nozzle of the tool by just slipping on it. To remove it, just pull it out.

For tool with nozzle

Attach the elbow (optional accessory) on the nozzle of the tool by just slipping on it. To remove it, just pull it out.

Nozzle cleaning

Clean the nozzle regularly.

Use a compressed air to clean the clogged nozzle.

OPERATION

Hold the tool firmly with one hand on the knob and the other hand on the switch handle when performing the tool.

Planing operation (Fig. 17)

First, rest the tool front base flat upon the workpiece surface without the blades making any contact. Switch on and wait until the blades attain full speed. Then move the tool gently forward. Apply pressure on the front of tool at the start of planing, and at the back at the end of planing. Planing will be easier if you incline the workpiece in stationary fashion, so that you can plane somewhat downhill.

The speed and depth of cut determine the kind of finish. The power planer keeps cutting at a speed that will not result in jamming by chips. For rough cutting, the depth of cut can be increased, while for a good finish you should reduce the depth of cut and advance the tool more slowly.

Shiplapping (Rabbeting) (Fig. 18)

To make a stepped cut as shown in the figure, use the edge fence (guide rule) which is obtained as accessory.

(Fig. 19)

Draw a cutting line on the workpiece. Insert the edge fence into the hole in the front of the tool. Align the blade edge with the cutting line. (Fig. 20)

Adjust the edge fence until it comes in contact with the side of the workpiece, then secure it by tightening the screw. (Fig. 21)

When planing, move the tool with the edge fence flush with the side of the workpiece. Otherwise uneven planing may result.

Maximum shiplapping (rabbeting) depth is 9 mm. (Fig. 22)

You may wish to add to the length of the fence by attaching an extra piece of wood. Convenient holes are provided in the fence for this purpose, and also for attaching an extension guide (optional accessory).

Chamfering (Fig. 23 & 24)

To make a chamfering cut as shown in the figure, align the "V" groove in the front base with the edge of the workpiece and plane it.

MAINTENANCE

⚠ CAUTION:

- Always be sure that the tool is switched off and the battery cartridge is removed before attempting to perform inspection or maintenance.
- Never use gasoline, benzene, thinner, alcohol or the like. Discoloration, deformation or cracks may result.

Sharpening the planer blades

For conventional blades only (Fig. 25)

Always keep your blades sharp for the best performance possible. Use the sharpening holder (optional accessory) to remove nicks and produce a fine edge. (Fig. 26)

First, loosen the two wing nuts on the holder and insert the blades (A) and (B), so that they contact the sides (C) and (D). Then tighten the wing nuts. (Fig. 27)

Immerse the dressing stone in water for 2 or 3 minutes before sharpening. Hold the holder so that the both blades contact the dressing stone for simultaneous sharpening at the same angle.

Replacing carbon brushes (Fig. 28)

Remove and check the carbon brushes regularly. Replace when they wear down to the limit mark. Keep the carbon brushes clean and free to slip in the holders. Both carbon brushes should be replaced at the same time. Use only identical carbon brushes. (Fig. 29)

Use a screwdriver to remove the brush holder caps. Take out the worn carbon brushes, insert the new ones and secure the brush holder caps.

To maintain product SAFETY and RELIABILITY, repairs, any other maintenance or adjustment should be performed by Makita Authorized Service Centers, always using Makita replacement parts.

OPTIONAL ACCESSORIES

⚠ CAUTION:

- These accessories or attachments are recommended for use with your Makita tool specified in this manual. The use of any other accessories or attachments might present a risk of injury to persons. Only use accessory or attachment for its stated purpose.

If you need any assistance for more details regarding these accessories, ask your local Makita Service Center.

- High-speed steel Planer blade
- Tungsten-carbide Planer blade (For longer blade life)
- Mini planer blade
- Sharpening holder assembly
- Blade gauge
- Set plate set
- Edge fence (Guide rule)
- Extension guide set
- Dressing stone
- Nozzle
- Dust bag assembly
- Elbow
- Socket wrench
- Plastic carrying case
- Various type of Makita genuine batteries and chargers

NOTE:

- Some items in the list may be included in the tool package as standard accessories. They may differ from country to country.

Noise

ENG905-1

The typical A-weighted noise level determined according to EN62841-2-14:

Model DKP140

Sound pressure level (L_{pA}): 86 dB (A)

Sound power level (L_{WA}): 97 dB (A)

Uncertainty (K): 3 dB (A)

Model DKP180

Sound pressure level (L_{pA}): 87 dB (A)

Sound power level (L_{WA}): 98 dB (A)

Uncertainty (K): 3 dB (A)

Wear ear protection.

Vibration

ENG900-1

The vibration total value (tri-axial vector sum) determined according to EN62841-2-14:

Model DKP140

Work mode: planing softwood

Vibration emission (a_{hV}): 3.5 m/s²

Uncertainty (K): 1.5 m/s²

Model DKP180

Work mode: planing softwood

Vibration emission (a_{hV}): 4.5 m/s²

Uncertainty (K): 1.5 m/s²

ENG901-1

- The declared vibration emission value has been measured in accordance with the standard test method and may be used for comparing one tool with another.
- The declared vibration emission value may also be used in a preliminary assessment of exposure.

 **WARNING:**

- The vibration emission during actual use of the power tool can differ from the declared emission value depending on the ways in which the tool is used.
- Be sure to identify safety measures to protect the operator that are based on an estimation of exposure in the actual conditions of use (taking account of all parts of the operating cycle such as the times when the tool is switched off and when it is running idle in addition to the trigger time).

EC Declaration of Conformity

For European countries only

The EC declaration of conformity is included as Annex A to this instruction manual.

FRANÇAIS (Instructions d'origine)

Descriptif

1. Bouton	21. Plaque de réglage	39. Sac à poussières
2. Voyant rouge	22. Bord intérieur de la plaque gabarit	40. Fermeture-éclair
3. Batterie	23. Rebord du fer	41. Coude
4. Voyants	24. Vis	42. Démarrer
5. Bouton de vérification	25. Talon	43. Fin
6. Étoile	26. Arrière de la base du gabarit	44. Ligne de coupe
7. Pointeur	27. Plaque gabarit	45. Vis
8. Bouton	28. Base du gabarit	46. Garde parallèle (accessoire en option)
9. Levier de déverrouillage	29. Vis à tête cylindrique	47. Porte-affûteur
10. Gâchette	30. Ergots de positionnement du fer de rabot	48. Écrou à oreilles
11. Fer de rabot	31. Talon de la plaque de réglage	49. Fer (A)
12. Base arrière	32. Plaque de fixation	50. Fer (B)
13. Pied	33. Flasque intérieur de la plaque gabarit	51. Côté (D)
14. Clé à douille	34. Arrière de la base du gabarit	52. Côté (C)
15. Boulon	35. Mini-fer de rabot	53. Repère d'usage
16. Déserrer	36. Rainure	54. Bouchon de porte-charbon
17. Serrer	37. Boulons à tête cylindrique	55. Tournevis
18. Boulons	38. Gicleur	
19. Tambour		
20. Couvercle du tambour		

SPÉCIFICATIONS

Modèle	DKP140	DKP180
Largeur de rabotage	82 mm	
Profondeur de rabotage	1,6 mm	2 mm
Profondeur de polissage d'angle	9 mm	
Vitesse a vide (min ⁻¹)	15 000	
Longueur totale	329 mm	333 mm
Poids net	3,0 - 3,3 kg	3,2 - 3,5 kg
Tension nominale	14,4 V C.C.	18 V C.C.

- Étant donné l'évolution constante de notre programme de recherche et de développement, les spécifications contenues dans ce manuel sont sujettes à des modifications sans préavis.
- Les spécifications peuvent varier suivant les pays.
- Le poids peut varier en fonction des pièces complémentaires, notamment de la batterie. La combinaison la plus légère et la combinaison la plus lourde, selon la procédure EPTA du 01/2014, sont présentées dans le tableau.

Batterie standard et chargeur applicables

Batterie	C.C. 14,4 V Modèle	BL1415N/BL1430/BL1430B/BL1440/BL1450/BL1460B
	C.C. 18 V Modèle	BL1815N/BL1820/BL1820B/BL1830/BL1830B/BL1840/BL1840B/BL1850/BL1850B/BL1860B
Chargeur	DC18RC/DC18RD/DC18RE/DC18SD/DC18SE/DC18SF	

- Certains types de batterie et de chargeurs répertoriés ci-dessus peuvent ne pas être disponibles en fonction de votre région ou lieu de résidence.

AVERTISSEMENT :

- **Utilisez uniquement les batteries et chargeurs indiqués ci-dessus.** L'utilisation de toute autre batterie ou d'un autre chargeur peut provoquer des blessures et/ou déclencher un incendie.


Utilisations

L'outil est conçu pour le rabotage du bois.

ENE001-1

Consignes de sécurité générales pour outils électriques

GEA010-2

 **AVERTISSEMENT :** Veuillez lire les consignes de sécurité, instructions, illustrations et spécifications qui accompagnent cet outil électrique. Le non-respect de toutes les instructions indiquées ci-dessous peut

entraîner une électrocution, un incendie et/ou de graves blessures.

Conservez toutes les mises en garde et instructions pour référence ultérieure.

Le terme « outil électrique » dans les avertissements fait référence à l'outil électrique alimenté par le secteur (avec cordon d'alimentation) ou à l'outil électrique fonctionnant sur batterie (sans cordon d'alimentation).

CONSIGNES DE SÉCURITÉ POUR RABOT SANS FIL

GEB168-1

1. Attendez que l'outil de coupe s'arrête avant de poser l'outil. Un outil de coupe en rotation exposé peut pénétrer dans la surface, ce qui peut provoquer une perte de maîtrise et de graves blessures.
2. Utilisez des dispositifs de serrage ou un autre moyen pratique pour fixer et soutenir la pièce sur une plateforme stable. La pièce sera instable et vous risquez d'en perdre la maîtrise si vous la tenez avec une main ou l'appuyez contre votre corps.
3. Ne laissez jamais de chiffons, linges, cordons, cordes et objets similaires sur la zone de travail.
4. Évitez les clous. Avant de travailler la pièce, inspectez-la et retirez tous les clous.
5. N'utilisez que des lames affûtées. Manipulez les lames avec beaucoup de précaution.
6. Assurez-vous que les boulons de fixation des lames sont bien serrés avant utilisation.
7. Tenez l'outil fermement à deux mains.
8. Gardez les mains à l'écart des pièces en rotation.
9. Avant d'utiliser l'outil sur la pièce, laissez-le tourner à vide un instant. Soyez attentif aux vibrations ou sautilllements pouvant indiquer que la lame n'est pas bien installée ou est mal équilibrée.
10. Assurez-vous que la lame n'entre pas en contact avec la pièce avant de mettre l'outil sous tension.
11. Attendez que la lame atteigne sa pleine vitesse avant de procéder à la coupe.
12. Avant tout réglage, mettez toujours l'outil hors tension et attendez l'arrêt complet des lames.
13. Ne mettez jamais le doigt dans la goulotte à copeaux. Il se peut qu'elle se bouche lorsque vous coupez du bois humide. Retirez les copeaux avec un bout de bâton.
14. N'abandonnez pas l'outil alors qu'il tourne. Ne faites fonctionner l'outil qu'une fois que vous l'avez bien en main.
15. Changez toujours les deux lames ou couvercles sur le tambour, en même temps, sinon cela entraînera un déséquilibre qui provoquera des vibrations et réduira la durée de service de l'outil.
16. N'utilisez que les lames Makita spécifiées dans ce manuel.
17. Utilisez toujours un masque anti-poussière ou un masque filtrant approprié au matériau et à l'application.

CONSERVEZ CES INSTRUCTIONS.



AVERTISSEMENT :

NE vous laissez PAS tromper (au fil d'une utilisation répétée) par un sentiment d'aisance et de familiarité avec le produit, en négligeant le respect rigoureux des consignes de sécurité qui accompagnent le produit en question.

La MAUVAISE UTILISATION de l'outil ou l'ignorance des consignes de sécurité indiquées dans ce mode d'emploi peut entraîner de graves blessures.

CONSIGNES DE SECURITE IMPORTANTES POUR LA BATTERIE

ENC007-12

1. Avant d'utiliser la batterie, veuillez lire toutes les instructions et tous les avertissements inscrits sur (1) le chargeur, (2) la batterie et (3) l'appareil alimenté par la batterie.
2. Ne démontez pas la batterie.
3. Cessez immédiatement d'utiliser l'outil si le temps de fonctionnement devient excessivement court. Il y a risque de surchauffe, de brûlures, voire d'explosion.
4. Si l'électrolyte pénètre dans vos yeux, rincez-les à l'eau claire et consultez immédiatement un médecin. Il y a risque de perte de la vue.
5. Évitez de court-circuiter la batterie :
 - (1) Ne touchez les bornes avec aucun matériau conducteur.
 - (2) Évitez de ranger la batterie dans un contenant où se trouvent d'autres objets métalliques tels que des clous, pièces de monnaie, etc.
 - (3) N'exposez pas la batterie à l'eau ou à la pluie. Un court-circuit de la batterie risque de provoquer un fort courant, une surchauffe, parfois des brûlures et même une panne.
6. Ne rangez pas l'outil ou la batterie dans des endroits où la température risque d'atteindre ou de dépasser 50 °C (122 °F).
7. Ne jetez pas la batterie au feu même si elle est sérieusement endommagée ou complètement épuisée. La batterie peut exploser au contact du feu.
8. Veillez à ne pas laisser tomber ou heurter la batterie.
9. N'utilisez pas de batterie endommagée.
10. Les batteries au lithium-ion contenues sont soumises aux exigences de la législation sur les marchandises dangereuses. Lors du transport commercial par des tierces parties ou des transitaires par exemple, des exigences spécifiques en matière d'étiquetage et d'emballage doivent être respectées. Pour la préparation de l'article expédié, il est nécessaire de consulter un expert en matériau dangereux. Veuillez également respecter les réglementations nationales susceptibles d'être plus détaillées. Recouvrez les contacts exposés avec du ruban

adhésif ou du ruban de masquage et emballez la batterie de telle sorte qu'elle ne puisse pas bouger dans l'emballage.

11. **Respectez les réglementations locales relatives à la mise au rebut des batteries.**
12. **Utilisez les batteries uniquement avec les produits spécifiés par Makita.** L'installation des batteries sur des produits non conformes peut entraîner un incendie, une chaleur excessive, une explosion ou une fuite d'électrolyte.

CONSERVEZ CES INSTRUCTIONS.

⚠ ATTENTION : N'utilisez que des batteries Makita d'origine.

L'utilisation de batteries de marque autre que Makita ou de batteries modifiées peut provoquer l'explosion des batteries, ce qui présente un risque d'incendie, de dommages matériels et corporels. Cela annulera également la garantie Makita pour l'outil et le chargeur Makita.

Conseils pour assurer la durée de vie optimale de la batterie

1. **Rechargez la batterie avant qu'elle ne soit complètement épuisée.**
Arrêtez toujours l'outil et rechargez la batterie quand vous constatez que la puissance de l'outil diminue.
2. **Ne rechargez jamais une batterie complètement chargée.**
La surcharge réduit la durée de service de la batterie.
3. **Chargez la batterie alors que la température de la pièce se trouve entre 10 °C et 40 °C (50 °F et 104 °F).** Si une batterie est chaude, laissez-la refroidir avant de la charger.
4. **Chargez la batterie si vous ne l'avez pas utilisée pendant une longue période (plus de six mois).**

DESCRIPTION DU FONCTIONNEMENT

⚠ ATTENTION :

- Veillez toujours à ce que l'outil soit éteint et la batterie déposée avant d'effectuer des réglages ou de vérifier le fonctionnement de l'outil.

Installation ou retrait de la batterie (Fig. 1)

- Éteignez toujours l'outil avant d'installer ou de retirer la batterie.
- Pour retirer la batterie, faites glisser le bouton à l'avant de la batterie et sortez la batterie.
- Pour installer la batterie, alignez sa languette sur la rainure qui se trouve à l'intérieur du carter, puis glissez la batterie pour la mettre en place. Insérez-la toujours bien à fond, jusqu'à ce qu'elle se verrouille en émettant un léger clic. Si vous pouvez voir la partie rouge sur la face supérieure du bouton, la batterie n'est pas parfaitement verrouillée. Installez-la à fond, jusqu'à ce que la partie rouge ne soit plus visible. Sinon, elle

risque de tomber accidentellement de l'outil, en vous blessant ou en blessant une personne située près de vous.

- N'appliquez pas une force excessive lors de l'installation de la batterie. Si la batterie ne glisse pas aisément, c'est qu'elle n'est pas insérée correctement.

Indication de l'autonomie restante de la batterie

Uniquement pour les batteries avec voyant lumineux (Fig. 2)

Appuyez sur le bouton de vérification sur la batterie pour indiquer la charge restante de la batterie. Les témoins s'allument pendant quelques secondes.

Voyants			Autonomie restante
Allumé	Éteint	Clignotant	
■	□	◐	75 % à 100 %
■	■	□	50 % à 75 %
■	□	□	25 % à 50 %
■	□	□	0 % à 25 %
◐	□	□	Recharger la batterie.
■	■	□	Il est possible que la batterie ait mal fonctionné.
□	□	■	

REMARQUE :

- Selon les conditions d'utilisation et la température ambiante, les indications peuvent différer légèrement de l'autonomie réelle restante.

Système de protection de la batterie (batterie comportant une étoile) (Fig. 3)

La batterie sur laquelle figure une étoile est équipée d'un système de protection qui coupe automatiquement la puissance de sortie pour lui assurer une longue durée de service.

L'outil s'arrête pendant l'utilisation lorsqu'il et/ou la batterie se trouve(nt) dans la situation suivante. Cela est dû à l'activation du système de protection et n'indique pas le problème de l'outil.

- Lorsque l'outil est surchargé :
Lorsque cela se produit, relâchez la gâchette, retirez la batterie et supprimez les causes de surcharge, puis appuyez de nouveau sur la gâchette pour redémarrer.
- Lorsque les éléments de la batterie deviennent très chauds :
En cas d'utilisation de la gâchette, le moteur reste à l'arrêt. Lorsque cela se produit, cessez d'utiliser l'outil et laissez la batterie refroidir ou rechargez-la après l'avoir retirée de l'outil.
- Lorsque la batterie est presque vide :

En cas d'utilisation de la gâchette, le moteur reste à l'arrêt. Lorsque cela se produit, retirez la batterie de l'outil et rechargez-la.

Réglage de la profondeur de coupe (Fig. 4)

Le réglage de la profondeur de coupe s'effectue simplement en tournant le bouton qui se trouve à l'avant de l'outil de sorte que l'index pointe sur la profondeur désirée.

Interrupteur (Fig. 5)

⚠ ATTENTION :

- Avant d'installer la batterie dans l'outil, vérifiez toujours que la gâchette fonctionne bien et revient en position d'arrêt lorsque libérée.
- Ne forcez pas en appuyant sur la gâchette sans avoir d'abord enfoncé le levier de sécurité. Vous risqueriez de casser la gâchette.

Un levier de sécurité est prévu pour prévenir la pression accidentelle sur la gâchette. Pour démarrer l'outil, faites glisser le levier de sécurité puis appuyez sur la gâchette. Pour l'arrêter, relâchez la gâchette.

⚠ AVERTISSEMENT :

- Pour assurer votre sécurité, cet outil est doté d'un levier de sécurité qui empêche le démarrage accidentel de l'outil. N'utilisez JAMAIS l'outil s'il se met en marche lorsque vous appuyez simplement sur la gâchette sans avoir appuyé sur le levier de sécurité. Renvoyez l'outil à un centre de service après-vente MAKITA pour le faire réparer AVANT toute autre utilisation.
- Le levier de sécurité ne doit JAMAIS être immobilisé avec du ruban adhésif, ni modifié.

Pied (Fig. 6)

Après la coupe, soulevez l'outil par l'arrière pour faire sortir le pied du socle arrière. Cela prévient l'endommagement des fers de l'outil.

ASSEMBLAGE

⚠ ATTENTION :

- Assurez-vous toujours que l'outil est hors tension et que la batterie est retirée avant d'effectuer toute intervention sur l'outil.

Retrait ou pose des fers de rabot

⚠ ATTENTION :

- Serrez solidement les boulons de pose des fers lorsque vous fixez les fers à l'outil. Un boulon mal serré peut être dangereux. Vérifiez toujours qu'ils sont bien serrés.
- Manipulez les fers avec une grande prudence. Portez des gants ou utilisez des chiffons pour protéger vos doigts ou vos mains lors du retrait ou de la pose des fers.
- Utilisez exclusivement la clé Makita fournie pour retirer ou poser les fers. Autrement vous risquez d'effectuer un serrage excessif ou insuffisant des boulons. Cela comporte un risque de blessure.

Pour l'outil à fers de rabot classiques (Fig. 7 à 9)

Pour retirer les fers du tambour, dévissez les boulons à l'aide de la clé à douille. Le couvercle du tambour se détachera avec les fers.

Pour poser les fers, enlevez d'abord tous les copeaux ou corps étrangers qui adhèrent au tambour et aux fers.

Utilisez des fers de dimensions et de poids identiques pour éviter que le tambour n'oscille ou ne vibre, ce qui causerait un rabotage médiocre et risquerait d'endommager l'outil.

Placez le fer sur la base du gabarit de sorte que le tranchant du fer soit parfaitement aligné sur le bord intérieur de la plaque gabarit. Posez la plaque de réglage sur le fer, puis enfoncez simplement le talon de la plaque de réglage pour qu'il s'aligne parfaitement sur l'arrière de la base du gabarit, et serrez les deux vis sur la plaque de réglage. Glissez ensuite le talon de la plaque de réglage dans la rainure du tambour, puis posez le couvercle sur ce dernier. Serrez tous les boulons à l'aide de la clé à douille, en alternant d'un boulon à l'autre pour assurer un serrage égal.

Répétez les procédures précédentes pour l'autre fer.

Pour l'outil à mini-fers de rabot (Fig. 10)

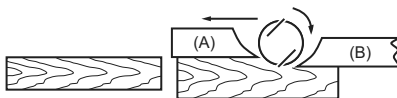
1. Retirez le fer existant, et si vous venez d'utiliser l'outil nettoyez soigneusement la surface et le couvercle du tambour. Pour retirer les fers du tambour, dévissez les trois boulons à l'aide de la clé à douille. Le couvercle du tambour se détachera avec les fers. (Fig. 11)
2. Pour poser les fers, fixez légèrement la plaque de réglage à la plaque de fixation à l'aide des vis à tête cylindrique large, et réglez le mini-fer de rabot sur la base du gabarit de sorte que le tranchant du fer soit parfaitement aligné sur la surface intérieure de la plaque gabarit.
3. Réglez la plaque de réglage/plaque de fixation sur la base du gabarit de sorte que les ergots de positionnement du fer de rabot, sur la plaque de fixation, reposent dans la rainure du mini-fer de rabot, puis enfoncez le talon de la plaque de réglage pour l'aligner parfaitement sur l'arrière de la base du gabarit, et serrez les vis à tête cylindrique large.
4. Il est important que le fer se trouve parfaitement aligné sur la surface intérieure de la plaque gabarit, que les ergots de positionnement du fer de rabot se trouvent dans la rainure du fer, et que le talon de la plaque de réglage soit parfaitement aligné sur l'arrière de la base du gabarit. Vérifiez soigneusement l'alignement pour assurer une coupe uniforme.
5. Glissez le talon de la plaque de réglage dans la rainure du tambour. (Fig. 12)
6. Posez le couvercle du tambour sur la plaque de réglage/plaque de fixation, et vissez les trois boulons à tête cylindrique large de sorte qu'il y ait un espace libre entre le tambour et la plaque de réglage pour glisser en position le mini-fer de rabot. Le fer sera mis en position par les ergots de positionnement du fer de rabot sur la plaque de fixation.
7. Il faut effectuer manuellement la mise en position du fer sur la longueur, de sorte que les extrémités ne touchent pas le carter d'un côté ni le support métallique de l'autre, et qu'elles se trouvent à la même distance de ces derniers.
8. Serrez les trois boulons à tête cylindrique large (à l'aide de la clé à douille fournie) et faites tourner le

tambour pour vous assurer que les extrémités du fer ne touchent pas le corps de l'outil.

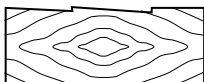
9. Vérifiez les boulons à tête cylindrique large en effectuant un dernier serrage.
10. Répétez les étapes 1 à 9 pour l'autre fer.

- (A) Base avant (talon mobile)
(B) Base arrière (talon immobile)

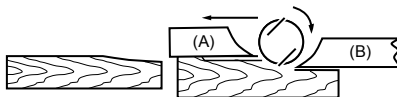
Réglage correct



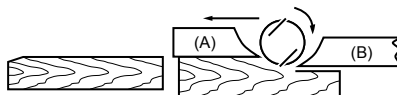
Crantage à la surface



Gougeage au début



Gougeage à la fin



Bien que cela ne soit pas visible sur cette vue latérale, les tranchants de fer sont parfaitement parallèles à la surface de la base arrière.

Cause : Le tranchant d'un des fers (ou des deux) n'est pas parallèle à la ligne de la base arrière.

Cause : Le tranchant d'un des fers (ou des deux) ne dépasse pas assez par rapport à la ligne de la base arrière.

Cause : Le tranchant d'un des fers (ou des deux) dépasse trop par rapport à la ligne de la base arrière.

EN0004-1

Sac à poussières (accessoire) (Fig. 13)

Pour l'outil sans gicleur

Retirez le couvercle à copeaux et installez le gicleur (accessoire en option). Fixez le sac à poussières sur le gicleur. Le gicleur est conique. Pour fixer le sac à poussières, poussez-le fermement dans le gicleur pour l'insérer à fond, afin d'éviter qu'il ne se détache en cours d'utilisation.

Pour l'outil avec gicleur

Fixez le sac à poussières sur le gicleur. Le gicleur est conique. Pour fixer le sac à poussières, poussez-le fermement dans le gicleur pour l'insérer à fond, afin d'éviter qu'il ne se détache en cours d'utilisation. (Fig. 14) Lorsque le sac à poussières est presque à moitié plein, retirez-le de l'outil et ouvrez la fermeture-éclair. Videz le sac en le tapotant pour détacher les particules qui adhèrent à l'intérieur et peuvent empêcher la collecte des poussières.

REMARQUE :

- Si vous raccordez un aspirateur Makita à cet outil, vous effectuerez votre travail de façon plus efficace et plus propre.

Raccordement d'un aspirateur (Fig. 15)

Pour l'outil sans gicleur

Pour effectuer un rabotage plus propre, raccordez un aspirateur Makita à votre outil. Avant de raccorder l'aspirateur, retirez le couvercle des copeaux de l'outil. Connectez ensuite le tuyau de l'aspirateur au gicleur (accessoire en option), tel qu'illustré sur les figures.

Pour l'outil avec gicleur

Pour effectuer un rabotage plus propre, raccordez un aspirateur Makita à votre outil. Connectez ensuite le tuyau de l'aspirateur au gicleur, tel qu'illustré sur les figures.

Coude (accessoire en option) (Fig. 16)

L'utilisation du coude permet de changer le sens de sortie des copeaux pour effectuer un travail plus propre.

Pour l'outil sans gicleur

Retirez le couvercle à copeaux et installez le gicleur (accessoire en option). Fixez le coude (accessoire en option) sur le gicleur de l'outil, simplement en l'y glissant. Pour le retirer, tirez simplement dessus.

Pour l'outil avec gicleur

Fixez le coude (accessoire en option) sur le gicleur de l'outil, simplement en l'y glissant. Pour le retirer, tirez simplement dessus.

Nettoyage du gicleur

Nettoyez régulièrement le gicleur.

Si le gicleur est bouché, utilisez de l'air comprimé pour le déboucher.

FONCTIONNEMENT

Maintenez fermement l'outil avec une main sur le bouton et l'autre main sur la poignée-gâchette lorsque vous testez l'outil.

Rabotage (Fig. 17)

Tout d'abord, déposez la base arrière de l'outil à plat sur la pièce à travailler, sans que les fers n'entrent en contact avec quoi que ce soit. Mettez le contact et attendez que les fers aient atteint leur pleine vitesse. Déplacez ensuite l'outil doucement vers l'avant. Appliquez une pression sur l'avant de l'outil au début du rabotage, et une pression à l'arrière à la fin du rabotage. Le rabotage sera plus facile si vous inclinez la pièce et l'immobilisez dans cette position, de façon à raboter quelque peu en descendant. Le type de finition dépend de la vitesse et de la profondeur de coupe. Le rabot électrique maintient une vitesse de coupe constante prévue pour éviter les bourrages de copeaux. Pour une coupe grossière vous pouvez augmenter la profondeur de coupe, tandis que pour obtenir une bonne finition vous devez réduire la profondeur de coupe et faire avancer l'outil plus lentement.

Rabotage (Fig. 18)

Pour effectuer une coupe dégradée, comme indiqué sur la figure, utilisez le garde parallèle (règle de guidage), fourni comme accessoire. (Fig. 19)

Tracez une ligne de coupe sur la pièce. Insérez le garde parallèle dans l'orifice à l'avant de l'outil. Aligned le tranchant du fer sur la ligne de coupe. (Fig. 20)

Régalez le garde parallèle jusqu'à ce qu'il entre en contact avec le côté de la pièce à travailler, puis fixez-le en serrant la vis. (Fig. 21)

Lorsque vous rabotez, déplacez l'outil en gardant le garde parallèle parfaitement appuyé contre le côté de la pièce. Autrement vous risquez d'effectuer un rabotage inégal. La profondeur maximale du rabotage est de 9 mm. (Fig. 22)

Vous voudrez peut-être allonger le garde parallèle en lui ajoutant une pièce de bois. Des orifices pratiques ont été prévus à cet effet, ainsi que pour fixer un guide prolongateur (accessoire en option).

Chanfreinage (Fig. 23 et 24)

Pour effectuer une coupe de chanfreinage comme celle indiquée sur la figure, alignez la rainure en « V » sur le bord de la pièce puis rabotez.

ENTRETIEN

⚠ ATTENTION :

- Assurez-vous toujours que l'outil est hors tension et que la batterie est retirée avant d'y effectuer tout travail d'inspection ou d'entretien.
- N'utilisez jamais d'essence, de benzine, de diluant, d'alcool ou de produit similaire. Ces produits risquent

de provoquer des décolorations, des déformations ou des fissures.

Affûtage des fers de rabot

Pour les fers classiques uniquement (Fig. 25)

Gardez toujours vos fers bien affûtés pour assurer une coupe optimale. Utilisez le porte-affûteur (accessoire en option) pour enlever le crantage et obtenir un tranchant fin. (Fig. 26)

Tout d'abord, desserrez les deux écrous à oreilles du porte-affûteur, et insérez les fers (A) et (B) de sorte qu'ils touchent les côtés (C) et (D). Serrez ensuite les écrous à oreilles. (Fig. 27)

Plongez la pierre à dresser 2 à 3 minutes dans l'eau avant d'affûter. Tenez le porte-affûteur de sorte que les deux fers touchent la pierre à dresser pour que l'affûtage s'effectue en même temps et avec le même angle.

Remplacement des charbons (Fig. 28)

Retirez et vérifiez les charbons régulièrement.

Remplacez-les lorsqu'ils atteignent le repère d'usure.

Maintenez les charbons propres et en état de glisser aisément dans les porte-charbons. Les deux charbons doivent être remplacés en même temps. N'utilisez que des charbons identiques. (Fig. 29)

Retirez les bouchons de porte-charbon à l'aide d'un tournevis. Enlevez les charbons usés, insérez-en de nouveaux et revissez solidement les bouchons de porte-charbon.

Pour garantir la SÉCURITÉ et la FIABILITÉ du produit, les réparations, ainsi que tout autre travail d'entretien ou de réglage doivent être effectués dans un centre de service Makita agréé, exclusivement avec des pièces de rechange Makita.

ACCESSOIRES FOURNIS EN OPTION

⚠ ATTENTION :

- Ces accessoires ou pièces complémentaires sont recommandés pour être utilisés avec l'outil Makita spécifié dans ce mode d'emploi. L'utilisation de tout autre accessoire ou pièce complémentaire peut comporter un risque de blessure. N'utilisez les accessoires ou pièces qu'aux fins auxquelles ils ont été conçus.

Pour obtenir plus de détails sur ces accessoires, contactez votre Centre de service local Makita.

- Fer de rabot en acier haute vitesse
- Fer de rabot en carbure de tungstène (fer longue durée)
- Mini-fer de rabot
- Ensemble de porte-affûteur
- Gabarit de fer
- Jeu de plaque de fixation
- Garde parallèle (règle de guidage)
- Jeu de guide prolongateur
- Pierre à dresser
- Gicleur
- Ensemble de sac à poussières
- Coude
- Clé à douille
- Étui en plastique

- Divers types de batteries et chargeurs de marque Makita

REMARQUE :

- Certains éléments de la liste peuvent être inclus en tant qu'accessoires standard dans le coffret de l'outil envoyé. Ils peuvent varier suivant les pays.

Bruit ENG905-1

Les niveaux de bruit pondéré A typiques ont été mesurés selon la norme EN62841-2-14 :

Modèle DKP140

Niveau de pression sonore (L_{pA}) : 86 dB (A)
 Niveau de puissance sonore (L_{WA}) : 97 dB (A)
 Incertitude (K) : 3 dB (A)

Modèle DKP180

Niveau de pression sonore (L_{pA}) : 87 dB (A)
 Niveau de puissance sonore (L_{WA}) : 98 dB (A)
 Incertitude (K) : 3 dB (A)

Portez des protections auditives.

Vibrations ENG900-1

La valeur totale de vibration (somme du vecteur triaxial) a été déterminée selon la norme EN62841-2-14 :

Modèle DKP140

Mode de fonctionnement : rabotage de conifères
 Émission de vibrations (a_{hv}) : 3,5 m/s²
 Incertitude (K) : 1,5 m/s²

Modèle DKP180

Mode de fonctionnement : rabotage de conifères
 Émission de vibrations (a_{hv}) : 4,5 m/s²
 Incertitude (K) : 1,5 m/s²

ENG901-1

- La valeur de l'émission des vibrations déclarée a été mesurée conformément à la méthode de test standard et peut être utilisée afin de comparer des outils entre eux.
- La valeur de l'émission des vibrations déclarée peut également être utilisée lors d'une évaluation préliminaire de l'exposition.

AVERTISSEMENT :

- Selon la manière dont l'outil est utilisé, il est possible que l'émission des vibrations pendant l'utilisation réelle de l'outil électrique diffère de la valeur de l'émission déclarée.
- Veuillez à identifier les mesures de sécurité destinées à protéger l'opérateur et établies en fonction de l'estimation de l'exposition dans les conditions réelles d'utilisation (en prenant en compte toutes les étapes du cycle de fonctionnement, telles que les périodes de mise hors tension de l'outil, les périodes de fonctionnement au ralenti et les périodes de mise en route).

Déclaration de conformité CE

Pour les pays d'Europe uniquement

La Déclaration de conformité CE figure en Annexe A du présent mode d'emploi.

DEUTSCH (Originalanweisungen)

Erläuterung der Gesamtdarstellung

1. Taste	20. Druckplatte	39. Staubbeutel
2. Roter Bereich	21. Einstellplatte	40. Verschluss
3. Akkublock	22. Innenkante der Messplatte	41. Bogenrohr
4. Anzeigenlampen	23. Messerkante	42. Start
5. Akkuprüfstaste	24. Schrauben	43. Ende
6. Sternmarkierung	25. Absatz	44. Schneidschnur
7. Zeiger	26. Rückseite des Messsockels	45. Schraube
8. Knauf	27. Ziehheisen	46. Parallelanschlag (Sonderzubehör)
9. Entriegelungshebel	28. Messsockel	47. Schleifvorrichtung
10. Ein/Aus-Schalter	29. Flachkopfschraube	48. Flügelmutter
11. Hobelmesser	30. Positionierhilfen für Hobelmesser	49. Messer (A)
12. Hinterer Gleitschuh	31. Absatz der Einstellplatte	50. Messer (B)
13. Fuß	32. Feststellplatte	51. Seite (D)
14. Steckschlüssel	33. Innenflanke der Messplatte	52. Seite (C)
15. Schraube	34. Rückseite des Messsockels	53. Verschleißgrenze
16. Lösen	35. Wendemesser	54. Bürstenhalterkappe
17. Festschrauben	36. Nut	55. Schraubendreher
18. Schrauben	37. Sechskantflanschschraben	
19. Hobelwelle	38. Düse	

TECHNISCHE DATEN

Modell	DKP140	DKP180
Hobelbreite	82 mm	
Hobeltiefe	1,6 mm	2 mm
Falztiefe	9 mm	
Leerlauf-Drehzahl (min ⁻¹)	15.000	
Gesamtlänge	329 mm	333 mm
Nettogewicht	3,0 - 3,3 kg	3,2 - 3,5 kg
Nennspannung	14,4 V Gleichspannung	18 V Gleichspannung

- Aufgrund unserer beständigen Forschungen und Weiterentwicklungen sind Änderungen an den hier angegebenen Technischen Daten ohne Vorankündigung vorbehalten.
- Die Technischen Daten können in den einzelnen Ländern voneinander abweichen.
- Das Gewicht kann sich je nach Umfang und Art der vorhandenen Zubehörteile inkl. Akkublock ändern. Das Gewicht der leichtest- und schwerstmöglichen Kombination, das im Einklang mit dem EPTA-Verfahren 01/2014 ermittelt wurde, ist in der Tabelle aufgeführt.

Zu verwendender Akkublock mit Ladegerät

Akkublock	14,4 V Gleichspannung Modell	BL1415N/BL1430/BL1430B/BL1440/BL1450/BL1460B
	18 V Gleichspannung Modell	BL1815N/BL1820/BL1820B/BL1830/BL1830B/BL1840/BL1840B/BL1850/BL1850B/BL1860B
Ladegerät		DC18RC/DC18RD/DC18RE/DC18SD/DC18SE/DC18SF

- In Abhängigkeit der Region, in der Sie ansässig sind, kann es vorkommen, dass einige von den oben aufgeführten Akkublocken und Ladegeräten nicht verfügbar sind.

WARNUNG:

- **Verwenden Sie ausschließlich die oben angegebenen Akkublocke und Ladegeräte.** Bei Verwendung anderer Akkublocke und Ladegeräte besteht Verletzungs- und Brandgefahr.

Verwendungszweck

ENE001-1

Dieses Werkzeug wurde für das Hobeln von Holz entwickelt.

Allgemeine Sicherheitswarnungen für Elektrowerkzeuge

GEA010-2

⚠️ WARNUNG: Lesen Sie alle mit diesem Elektrowerkzeug gelieferten Sicherheitswarnungen, Anweisungen, Abbildungen und technischen Daten durch. Eine Missachtung der unten aufgeführten Anweisungen kann zu einem elektrischen Schlag, Brand und/oder schweren Verletzungen führen.

Bewahren Sie alle Warnungen und Anweisungen für spätere Bezugnahme auf.

Der Ausdruck „Elektrowerkzeug“ in den Warnhinweisen bezieht sich auf Ihr mit Netzstrom (mit Kabel) oder Akku (ohne Kabel) betriebenes Elektrowerkzeug.

SICHERHEITSWARNUNGEN FÜR AKKU-HOBEL

GEB168-1

1. **Warten Sie, bis das Messer zum Stillstand kommt, bevor Sie das Werkzeug ablegen.** Das freiliegende Rotationsmesser könnte sonst in die Oberfläche eingreifen, was zu einem möglichen Verlust der Kontrolle und ernsthaften Verletzungen führen kann.
2. **Verwenden Sie Klemmen oder eine andere praktische Methode, um das Werkstück auf einer stabilen Unterlage zu sichern und abzustützen.** Wenn Sie das Werkstück nur mit der Hand oder gegen Ihren Körper halten, befindet es sich in einer instabilen Lage, die zum Verlust der Kontrolle führen kann.
3. **Lassen Sie niemals Lappen, Tücher, Kabel, Schnüre und dergleichen im Arbeitsbereich herumliegen.**
4. **Vermeiden Sie das Schneiden von Nägeln. Untersuchen Sie das Werkstück sorgfältig auf Nägel, und entfernen Sie diese vor der Bearbeitung.**
5. **Verwenden Sie nur scharfe Messer. Behandeln Sie die Messer mit größter Sorgfalt.**
6. **Vergewissern Sie sich vor der Arbeit, dass die Messerbefestigungsschrauben sicher festgezogen sind.**
7. **Halten Sie das Werkzeug mit beiden Händen fest.**
8. **Halten Sie Ihre Hände von rotierenden Teilen fern.**
9. **Lassen Sie das Werkzeug vor der eigentlichen Bearbeitung eines Werkstücks eine Weile laufen. Achten Sie auf Vibrationen oder Taumelbewegungen, die Anzeichen für schlechte Montage oder ein schlecht ausgewuchtetes Messer sein können.**
10. **Vergewissern Sie sich vor dem Einschalten des Werkzeugs, dass das Messer nicht das Werkstück berührt.**
11. **Warten Sie, bis das Messer die volle Drehzahl erreicht hat, bevor Sie mit dem Schneiden beginnen.**

12. **Schalten Sie das Werkzeug stets aus, und warten Sie, bis die Messer zum vollständigen Stillstand kommen, bevor Sie Einstellungen vornehmen.**
13. **Stecken Sie niemals Ihren Finger in den Spanauswurf. Der Spanauswurf kann blockiert werden, wenn feuchtes Holz gehobelt wird. Entfernen Sie Späne mit einem Stock.**
14. **Lassen Sie das Werkzeug nicht unbeaufsichtigt laufen. Benutzen Sie das Werkzeug nur im handgeführten Einsatz.**
15. **Wechseln Sie immer beide Messer oder Abdeckungen an der Trommel aus, weil sonst die resultierende Unwucht Vibrationen verursacht und die Lebensdauer des Werkzeugs verkürzen kann.**
16. **Verwenden Sie nur die in dieser Anleitung angegebenen Makita-Messer.**
17. **Verwenden Sie stets die korrekte Staubschutz-/ Atemmaske für das jeweilige Material und die Anwendung.**

DIESE ANWEISUNGEN AUFBEWAHREN.

⚠️ WARNUNG: Lassen Sie sich NICHT durch Bequemlichkeit oder Vertrautheit mit dem Produkt (durch wiederholten Gebrauch erworben) von der strikten Einhaltung der Sicherheitsregeln für das vorliegende Produkt abhalten. **MISSBRAUCH** oder Missachtung der Sicherheitsvorschriften in dieser Anleitung können schwere Verletzungen verursachen.

WICHTIGE SICHERHEITSANWEISUNGEN FÜR AKKU

ENC007-12

1. **Lesen Sie vor der Verwendung des Akkublocks alle Anweisungen und Sicherheitshinweise für das Akkuladegerät (1), den Akku (2) und das Produkt (3), für das der Akku verwendet wird, sorgfältig durch.**
2. **Der Akkublock darf nicht zerlegt werden.**
3. **Falls die Betriebsdauer erheblich kürzer wird, beenden Sie den Betrieb umgehend. Andernfalls besteht die Gefahr einer Überhitzung sowie das Risiko möglicher Verbrennungen und sogar einer Explosion.**
4. **Wenn Elektrolyt in Ihre Augen gerät, waschen Sie diese mit klarem Wasser aus und suchen Sie sofort einen Arzt auf. Andernfalls können Sie Ihre Sehfähigkeit verlieren.**
5. **Vermeiden Sie einen Kurzschluss des Akkublocks:**
 - (1) **Die Kontakte dürfen nicht mit leitendem Material in Berührung kommen.**
 - (2) **Der Akkublock darf nicht in einem Behälter aufbewahrt werden, in dem sich andere metallische Gegenstände wie beispielsweise Nägel, Münzen usw. befinden.**
 - (3) **Der Akkublock darf weder Feuchtigkeit noch Regen ausgesetzt werden.**

Ein Kurzschluss des Akkus kann zu hohem Kriechstrom, Überhitzung, möglichen Verbrennungen und sogar zu einer Zerstörung des Werkzeugs führen.

6. Werkzeug und Akkublock dürfen nicht an Orten aufbewahrt werden, an denen Temperaturen von 50°C oder darüber erreicht werden können.
7. Beschädigte oder verbrauchte Akkus dürfen nicht verbrannt werden. Der Akkublock kann in den Flammen explodieren.
8. Lassen Sie den Akku nicht fallen und vermeiden Sie Schläge gegen den Akku.
9. Verwenden Sie niemals einen beschädigten Akku.
10. Die enthaltenen Lithium-Ionen-Akkus unterliegen den Anforderungen der Gefahrgut-Gesetzgebung.

Für kommerzielle Transporte, z. B. durch Dritte oder Spediteure, müssen besondere Anforderungen zu Verpackung und Etikettierung beachtet werden. Zur Vorbereitung des zu transportierenden Artikels ist eine Beratung durch einen Experten für Gefahrgut erforderlich. Bitte beachten Sie möglicherweise ausführlichere nationale Vorschriften. Überkleben oder verdecken Sie offene Kontakte, und verpacken Sie den Akku so, dass er sich in der Verpackung nicht umher bewegen kann.

11. Befolgen Sie die in Ihrem Land geltenden Bestimmungen bzgl. der Entsorgung von Akkus.
12. Verwenden Sie die Akkus nur mit den von Makita genannten Produkten. Der Einsatz der Akkus in nicht kompatiblen Produkten kann Brände, extreme Wärmeentwicklung, Explosionen oder einen Austritt von Elektrolyt verursachen.

BEWAHREN SIE DIESE ANLEITUNG SORGFÄLTIG AUF.

⚠ VORSICHT: Verwenden Sie nur Original-Makita-Akkus.

Die Verwendung von Nicht-Original-Makita-Akkus oder von Akkus, die abgeändert worden sind, kann zum Bersten des Akkus und daraus resultierenden Bränden, Personenschäden und Beschädigung führen. Außerdem wird dadurch die Makita-Garantie für das Makita-Werkzeug und -Ladegerät ungültig.

Tipps für eine maximale Nutzungsdauer von Akkus

1. Laden Sie den Akkublock auf, bevor der Akku vollständig entladen ist. Sobald Sie eine verringerte Leistung des Werkzeugs bemerken, beenden Sie stets den Betrieb des Werkzeugs und laden Sie den Akkublock auf.
2. Ein voll aufgeladener Akkublock darf niemals erneut geladen werden. Durch Überladungen wird die Lebensdauer des Akkus verkürzt.
3. Laden Sie den Akkublock bei einer Zimmertemperatur von 10°C bis 40°C auf. Lassen Sie einen heißen Akkublock vor dem Aufladen abkühlen.

4. Laden Sie den Akkublock auf, wenn Sie diesen für längere Zeit nicht verwenden (mehr als sechs Monate).

FUNKTIONSBESCHREIBUNG

⚠ VORSICHT:

- Schalten Sie das Werkzeug stets aus und entfernen Sie den Akkublock, bevor Sie Einstellungen oder eine Funktionsprüfung des Werkzeugs vornehmen.

Einsetzen und Entfernen des Akkublocks (Abb. 1)

- Schalten Sie das Werkzeug stets aus, bevor Sie den Akkublock einsetzen oder entfernen.
- Zur Entfernung des Akkublocks müssen Sie diesen aus dem Werkzeug herauschieben, während Sie die Taste auf der Vorderseite des Blocks schieben.
- Zum Einsetzen des Akkublocks müssen Sie die Zunge des Akkublocks an der Rille im Gehäuse ausrichten und in die gewünschte Position schieben. Setzen Sie den Block immer ganz ein, bis er mit einem Klick einrastet. Wenn Sie den roten Bereich oben auf der Taste sehen können, ist der Block nicht ganz eingerastet. Setzen Sie den Akkublock ganz ein, bis der rote Bereich nicht mehr zu sehen ist. Anderenfalls kann der Block versehentlich aus dem Werkzeug fallen und Sie oder Personen in der Nähe verletzen.
- Wenden Sie beim Einsetzen des Akkublocks keine Gewalt an. Wenn der Block nicht leicht hineingleitet, wird er nicht richtig eingesetzt.

Anzeigen der Restladung des Akkus

Nur für Akkus mit Anzeige (Abb. 2)

Drücken Sie die Prüftaste am Akku, um die Akku-Restkapazität anzuzeigen. Die Anzeigelampen leuchten wenige Sekunden lang auf.

Anzeigelampen			Verbleibende Akkuladung
Leuchtet	Aus	Blinkt	
■	□	◐	75% bis 100%
■	■	■	50% bis 75%
■	■	□	25% bis 50%
■	□	□	0% bis 25%
◐	□	□	Laden Sie den Akku auf.
■	■	□	Möglicherweise liegt ein Defekt des Akkus vor.
□	□	■	

HINWEIS:

- In Abhängigkeit von den Bedingungen bei Gebrauch und von der Umgebungstemperatur kann der angezeigte Ladezustand geringfügig vom tatsächlichen Ladezustand abweichen.

Akku-Schutzsystem (Akkublock mit einer Sternmarkierung) (Abb. 3)

Akkublöcke mit einer Sternmarkierung sind mit einem Schutzsystem ausgestattet, das den Akkublock automatisch ausschaltet und so für eine längere Lebenszeit des Akkus sorgt.

In den unten aufgeführten Situationen des Werkzeugs und/oder des Akkus stoppt das Werkzeug während des Betriebs. Dies geschieht aufgrund der Aktivierung des Schutzsystems und stellt keine Fehlfunktion dar.

- Bei Überlastung des Werkzeugs:
 - Lassen Sie den Ein/Aus-Schalter los, entfernen Sie den Akku-Block und beheben Sie die Ursachen der Überlastung; betätigen Sie zum Neustarten anschließend den Ein/Aus-Schalter.
- Wenn der Akkublock zu heiß wird:
 - Der Motor bleibt trotz Betätigung des Ein/Aus-Schalters ausgeschaltet. Lassen Sie in dieser Situation das Werkzeug abkühlen, oder entnehmen Sie den Akkublock aus dem Werkzeug und laden Sie den Akkublock auf.
- Wenn die verbleibende Akkuladung zu niedrig wird:
 - Der Motor bleibt trotz Betätigung des Ein/Aus-Schalters ausgeschaltet. Nehmen Sie spätestens jetzt den Akkublock aus dem Gerät und laden Sie den Akku auf.

Einstellen der Schnitttiefe (Abb. 4)

Die Schnitttiefe kann einfach durch Drehen des Knopfes an der Vorderseite des Werkzeugs eingestellt werden, bis der Zeiger auf der gewünschten Schnitttiefe steht.

Bedienung des Schalters (Abb. 5)

VORSICHT:

- Achten Sie vor dem Einsetzen des Akkublocks in das Werkzeug darauf, dass sich der Ein/Aus-Schalter korrekt bedienen lässt und beim Loslassen in die Position „OFF“ (AUS) zurückkehrt.
- Betätigen Sie niemals mit Gewalt die Auslöseschaltung, ohne dabei den Entsperrungshebel zu drücken. Dies kann zu einer Beschädigung des Schalters führen.

Um die versehentliche Betätigung des Ein/Aus-Schalters zu verhindern, ist das Werkzeug mit einer Einschaltsperrre ausgestattet. Um das Werkzeug zu starten, schieben Sie den Entsperrhebel und betätigen Sie den Ein/Aus-Schalter. Lassen Sie zum Ausschalten des Werkzeugs den Ein/Aus-Schalter los.

WARNUNG:

- Zu Ihrer Sicherheit ist das vorliegende Werkzeug mit einem Entriegelungshebel ausgestattet, um zu verhindern, dass das Werkzeug versehentlich gestartet wird. Verwenden Sie das Werkzeug NIEMALS, wenn es durch einfaches Betätigen des Ein/Aus-Schalters startet, ohne dass Sie dabei den Entsperrhebel drücken. Geben Sie VOR dem weiteren Gebrauch das Werkzeug an ein MAKITA Servicecenter, um es dort ordnungsgemäß reparieren zu lassen.
- Kleben Sie NIEMALS den Entsperrhebel zu oder verändern Sie diesen, so dass er seinen Zweck und seine Funktion nicht mehr erfüllt.

Fuß (Abb. 6)

Wenn Sie nach einem Schnittvorgang die hintere Seite des Werkzeugs anheben, schiebt sich ein Fuß unter die Fläche der hinteren Sohle. Auf diese Weise wird eine Beschädigung der Werkzeugschneide verhindert.

ZUSAMMENBAU

VORSICHT:

- Schalten Sie das Werkzeug stets aus und entfernen Sie den Akkublock, bevor Sie Arbeiten am Werkzeug ausführen.

Montage und Demontage der Hobelmesser

VORSICHT:

- Ziehen Sie die Bolzen zur Messerbefestigung beim Anbringen der Messer am Werkzeug fest an. Ein locker sitzender Befestigungsbolzen kann gefährlich sein. Überprüfen Sie stets, ob die Bolzen fest sitzen.
- Gehen Sie sehr sorgfältig mit den Messern um. Schützen Sie Ihre Finger bzw. Hände beim Demontieren oder Montieren der Messer mit Handschuhen oder Lappen.
- Verwenden Sie nur den Schraubenschlüssel von Makita zum Demontieren oder Montieren der Messer. Andernfalls kann es vorkommen, dass Sie die Befestigungsbolzen zu fest oder zu locker anziehen. Dies kann zu Verletzungen führen.

Für Werkzeuge mit herkömmlichen Hobelmessern (Abb. 7 - 9)

Lösen Sie zur Demontage der Messer an der Hobelwelle die Befestigungsbolzen mit dem Steckschlüssel. Die Druckplatte löst sich gemeinsam mit den Messern. Säubern Sie vor der Montage der Messer zunächst die Hobelwelle und Messer von anhaftenden Spänen und sonstigem Fremdmaterial. Verwenden Sie Messer mit identischen Maßen und Gewichten, da andernfalls Schwingungen/Vibrationen an der Hobelwelle auftreten, die zu einer mangelhaften Hobelleistung und letztendlich zu einem Ausfall des Werkzeugs führen.

Positionieren Sie das Messer so auf dem Messsockel, dass die Messerkante mit der Innenkante der Messplatte bündig ist. Positionieren Sie die Einstellplatte am Messer, und drücken Sie dann einfach den Absatz der Einstellplatte eng an die Rückseite des Messsockels an, und ziehen Sie die beiden Schrauben an der Einstellplatte an. Schieben Sie jetzt den Absatz der Einstellplatte in die Nut der Hobelwelle, und montieren Sie dann die Druckplatte darauf. Ziehen Sie alle Befestigungsbolzen gleichmäßig und wechselweise mit dem Steckschlüssel an.

Wiederholen Sie die obigen Vorgehensweisen für das andere Messer.

Für Werkzeuge mit Mini-Hobelmessern (Abb. 10)

1. Entfernen Sie das vorhandene Messer. Falls das Werkzeug in Betrieb war, reinigen Sie die Oberflächen der Hobelwelle sowie die Druckplatte sorgfältig. Lösen Sie zur Demontage der Messer an der Hobelwelle die drei Befestigungsbolzen mit dem Steckschlüssel. Die Druckplatte löst sich gemeinsam mit den Messern.

(Abb. 11)

2. Zur Montage der Messer müssen Sie die Einstellplatte mit den Flachkopfschrauben lose an der Feststellplatte befestigen und das Wendemesser so auf den Messsockel setzen, dass die Schnittkante des Messers mit der Innenflanke der Messplatte bündig ist.
3. Setzen Sie die Einstell-/Feststellplatte so auf den Messsockel, dass die Positionierhilfen für das Hobelmesser auf der Feststellplatte in der Rille des Wendemessers sitzen, und drücken Sie dann den Absatz der Einstellplatte bündig an die Rückseite des Messsockels, und ziehen Sie die Flachkopfschrauben an.
4. Das Messer muss unbedingt bündig an der Innenflanke der Messplatte ausgerichtet sein. Außerdem ist es wichtig, dass die Positionierhilfen für das Hobelmesser in der Messerrille sitzen und der Absatz der Einstellplatte bündig an der Rückseite des Messsockels ausgerichtet ist. Überprüfen Sie diese Positionen sorgfältig, damit ein gleichmäßiger Schnittvorgang gewährleistet ist.
5. Schieben Sie den Absatz der Einstellplatte in die Rille der Hobelwelle. **(Abb. 12)**
6. Setzen Sie die Druckplatte über die Einstell-/Feststellplatte, und schrauben Sie die drei Sechskantflanschsrauben so fest, dass zwischen Hobelwelle und Feststellplatte ein Abstand besteht,

- um das Wendemesser in die richtige Position zu bringen. Das Messer wird über die Positionierhilfen für das Hobelmesser auf der Feststellplatte positioniert.
7. Die Längeneinstellung des Messers muss manuell so erfolgen, dass die Messerkanten frei liegen und jeweils den gleichen Abstand zum Gehäuse auf der einen Seite und der Metallklammer auf der anderen Seite haben.
8. Ziehen Sie (mit dem mitgelieferten Steckschlüssel) die drei Sechskantflanschsrauben an, und drehen Sie die Hobelwelle, um die Abstände zwischen den Messerkanten und dem Werkzeugkörper zu überprüfen.
9. Überprüfen Sie noch einmal, ob die drei Sechskantflanschsrauben fest sitzen.
10. Wiederholen Sie die Vorgehensweisen 1 bis 9 für das andere Messer.

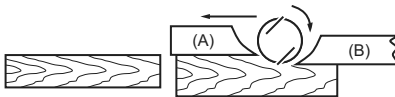
Richtige Einstellung des Hobelmessers

Wenn das Messer nicht richtig und fest sitzt, ist Ihre Hobelfläche nach der Bearbeitung rau und uneben. Das Messer muss so montiert werden, dass die Schnittkante absolut gleich verläuft, also parallel zur Fläche der hinteren Sohle.

Nachfolgend finden Sie einige Beispiele für richtige und falsche Einstellungen.

- (A) Vordere Sohle (Beweglicher Schuh)
 (B) Hintere Sohle (Unbeweglicher Schuh)

Richtige Einstellung



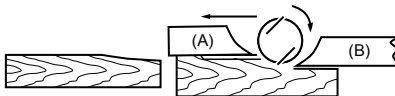
In dieser Seitenansicht ist es zwar nicht ersichtlich, die Kanten der Messer verlaufen jedoch genau parallel zur Fläche der hinteren Sohle.

Kerben in der Oberfläche



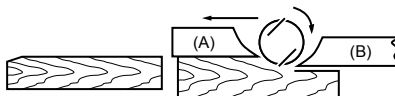
Ursache: Die Kanten eines oder beider Messer verlaufen nicht parallel zur Führung der hinteren Sohle.

Furchen am Anfang



Ursache: Die Kanten eines oder beider Messer stehen nicht weit genug über die Führung der hinteren Sohle.

Furchen am Ende



Ursache: Die Kanten eines oder beider Messer stehen zu weit über die Führung der hinteren Sohle.

EN0004-1

Staubbeutel (Zubehör) (Abb. 13)

Für Werkzeug ohne Düse

Entfernen Sie den Spanfänger und installieren Sie die Düse (Sonderzubehör). Bringen Sie den Staubbeutel an der Düse an. Die Düse ist spitz zulaufend. Drücken Sie den Staubbeutel beim Anschließen bis zum Anschlag auf die Düse, damit er sich während des Betriebs nicht löst.

Für Werkzeug mit Düse

Bringen Sie den Staubbeutel an der Düse an. Die Düse ist spitz zulaufend. Drücken Sie den Staubbeutel beim Anschließen bis zum Anschlag auf die Düse, damit er sich während des Betriebs nicht löst. **(Abb. 14)**
Wenn der Staubbeutel etwa halb voll ist, sollten Sie ihn vom Werkzeug entfernen und den Verschluss herausziehen. Leeren Sie den Inhalt des Staubbeutels, und schnippen Sie leicht dagegen, damit sich Partikel lösen, die möglicherweise an der Innenseite haften und eine weitere Sammlung behindern können.

HINWEIS:

- Wenn Sie einen Makita-Staubsauger an das Werkzeug anschließen, können Sie effizienter und sauberer arbeiten.

Anschließen eines Staubsaugers (Abb. 15)

Für Werkzeug ohne Düse

Für größere Sauberkeit bei der Arbeit schließen Sie einen Makita-Staubsauger an Ihr Werkzeug an. Entfernen Sie vor dem Anschließen des Staubsaugers den Spanfänger vom Werkzeug. Schließen Sie dann den Schlauch des Staubsaugers an die Düse (Sonderzubehör) an, wie in der Abbildung dargestellt.

Für Werkzeug mit Düse

Für größere Sauberkeit bei der Arbeit schließen Sie einen Makita-Staubsauger an Ihr Werkzeug an. Schließen Sie dann den Schlauch des Staubsaugers an die Düse an, wie in der Abbildung dargestellt.

Bogenrohr (optionales Zubehör) (Abb. 16)

Mit Hilfe eines Bogenrohrs kann die Richtung des Spanauswurfs geändert und somit eine erhöhte Sauberkeit bei der Arbeit erzielt werden.

Für Werkzeug ohne Düse

Entfernen Sie den Spanfänger und installieren Sie die Düse (Sonderzubehör). Befestigen Sie das Bogenrohr (Sonderzubehör) an der Düse des Werkzeugs, indem Sie es einfach aufstecken. Zur Entfernung muss es lediglich herausgezogen werden.

Für Werkzeug mit Düse

Befestigen Sie das Bogenrohr (Sonderzubehör) an der Düse des Werkzeugs, indem Sie es einfach aufstecken. Zur Entfernung muss es lediglich herausgezogen werden.

Düsen reinigen

Reinigen Sie die Düse in regelmäßigen Abständen. Verwenden Sie Druckluft zur Reinigung einer verstopften Düse.

BETRIEB

Halten Sie das Werkzeug mit einer Hand am Knauf und mit der anderen am Schaltergriff fest, wenn Sie mit dem Werkzeug arbeiten.

Hobelbetrieb (Abb. 17)

Setzen Sie zuerst die vordere Hobelsohle flach auf das Werkstück, ohne dass die Hobelmesser irgendwelchen Kontakt haben. Schalten Sie das Werkzeug ein, und warten Sie, bis die Messer ihre volle Drehzahl erreicht haben. Schieben Sie dann das Werkzeug langsam vorwärts. Üben Sie am Anfang des Hobelvorgangs Druck auf die vordere Hobelsohle, und am Ende des Hobelvorgangs Druck auf die hintere Hobelsohle aus. Das Hobeln kann durch schräges Einspannen des Werkstücks erleichtert werden, so dass Sie leicht abwärts hobeln können.

Vorschubgeschwindigkeit und Schnitttiefe bestimmen die Oberflächengüte. Der Elektrohobel hält eine Messerdrehzahl aufrecht, die gewährleistet, dass Holzspäne keine Blockierung verursachen. Für einen Grobschnitt kann die Schnitttiefe vergrößert werden, während für eine hohe Oberflächengüte die Schnitttiefe reduziert und das Werkzeug langsamer vorgeschoben werden sollte.

Falzen (Abb. 18)

Für einen Stufenschnitt (siehe Abbildung) verwenden Sie den Parallelanschlag (Führungsschiene), den Sie als Zubehör erhalten. **(Abb. 19)**

Zeichnen Sie eine Schnittlinie auf dem Werkstück an. Setzen Sie den Parallelanschlag in die Öffnung an der Vorderseite des Werkzeugs ein. Richten Sie die Messerkante an der Schnittlinie aus. **(Abb. 20)**

Stellen Sie den Parallelanschlag ein, bis er an der Seitenkante des Werkstücks anliegt, und sichern Sie ihn mit der Schraube. **(Abb. 21)**

Achten Sie beim Hobeln darauf, dass der Parallelanschlag eng an der Seitenkante des Werkstücks anliegt. Andernfalls erhalten Sie möglicherweise ein ungleichmäßiges Bearbeitungsergebnis.

Die maximale Falztiefe beträgt 9 mm. **(Abb. 22)**

Der Parallelanschlag lässt sich durch eine Holzleiste verlängern. Zur Befestigung dieser Holzleiste bzw. einer (separat erhältlichen) Verlängerungsführung dienen die im Parallelanschlag vorhandenen Bohrungen.

Anfasen (Abb. 23 und 24)

Um einen Anfasungsschnitt wie in der Abbildung auszuführen, richten Sie die „V“-Nut im vorderen Gleitschuh an der Werkstückkante aus, und führen dann den Hobel.

WARTUNG

⚠ VORSICHT:

- Schalten Sie das Werkzeug stets aus und ziehen Sie den Akkublock ab, bevor Sie Inspektionen oder Wartungsarbeiten am Werkzeug vornehmen.
- Verwenden Sie zum Reinigen niemals Kraftstoffe, Benzin, Verdünner, Alkohol oder ähnliches. Dies kann zu Verfärbungen, Verformungen oder Rissen führen.

Schleifen der Hobelmesser

Nur für herkömmliche Messer (Abb. 25)

Achten Sie stets auf scharfe Messer, damit ein optimales Ergebnis erzielt werden kann. Entfernen Sie mit Hilfe der Schleifvorrichtung (Sonderzubehör) Kerben, und schleifen Sie eine feine Kante. (Abb. 26)

Lösen Sie zunächst die beiden Flügelmuttern an der Haltevorrichtung, und setzen Sie die Messer (A) und (B) so ein, dass sie die Seiten (C) und (D) berühren. Ziehen Sie dann die Flügelmuttern an. (Abb. 27)

Tauchen Sie den Schleifstein vor dem Schleifen 2 oder 3 Minuten in Wasser. Halten Sie die Vorrichtung so, dass beide Messer den Schleifstein berühren. So werden die Messer gleichzeitig im gleichen Winkel geschliffen.

Ersetzen der Kohlebürsten (Abb. 28)

Entfernen und überprüfen Sie die Kohlebürsten in regelmäßigen Abständen. Wenn die Kohlebürsten bis zur Verschleißgrenze abgenutzt sind, müssen die Kohlebürsten durch neue ersetzt werden. Halten Sie die Kohlebürsten sauber und sorgen Sie dafür, dass die Bürsten locker in den Halterungen gleiten. Ersetzen Sie immer beide Kohlebürsten gleichzeitig. Verwenden Sie nur identische Kohlebürsten. (Abb. 29)

Nehmen Sie die Kappen der Bürstenhalter mit Hilfe eines Schraubendrehers ab. Entnehmen Sie die verbrauchten Kohlebürsten, setzen Sie neue Bürsten ein und bringen Sie die Bürstenhalterkappen wieder fest an.

Zur Gewährleistung von SICHERHEIT und ZUVERLÄSSIGKEIT des Produkts sollten Reparaturen, Wartungsarbeiten und Einstellungen nur durch von Makita autorisierte Servicecenter durchgeführt und ausschließlich Makita-Ersatzteile verwendet werden.

SONDERZUBEHÖR

ACHTUNG:

- Für das in diesem Handbuch beschriebene Makita-Gerät werden die folgenden Zubehör- und Zusatzteile empfohlen. Bei Verwendung anderer Zubehör- und Zusatzteile kann es zu Verletzungen kommen. Verwenden Sie Zubehör- und Zusatzteile nur für den vorgesehenen Zweck.

Informationen zu diesem Zubehör erhalten Sie von Ihrem Makita-Servicecenter.

- Hobelmesser aus Schnellarbeitsstahl (HSS)
- Hobelmesser aus Wolframkarbid (für eine längere Lebensdauer des Messers)
- Wendemesser
- Schleifvorrichtungssatz
- Messerstärken-Set
- Feststellplatten-Set
- Parallelanschlag (Führungslinéal)
- Führungsschienen-Verlängerungssatz
- Schleifstein
- Düse
- Staubbeutel-Set
- Bogenrohr
- Steckschlüssel
- Kunststoff-Tragekoffer
- Verschiedene Arten von originalen Akkus und Ladegeräten von Makita

HINWEIS:

- Einige der in der Liste aufgeführten Elemente sind dem Werkzeugpaket als Standardzubehör beigelegt. Diese können in den einzelnen Ländern voneinander abweichen.

Schallpegel

ENG905-1

Typischer A-bewerteter Schallpegel nach EN62841-2-14:

Modell DKP140

Schalldruckpegel (L_{pA}): 86 dB (A)

Schallleistungspegel (L_{WA}): 97 dB (A)

Abweichung (K): 3 dB (A)

Modell DKP180

Schalldruckpegel (L_{pA}): 87 dB (A)

Schallleistungspegel (L_{WA}): 98 dB (A)

Abweichung (K): 3 dB (A)

Tragen Sie Gehörschutz.

Schwingung

ENG900-1

Schwingungsgesamtwerte (Vektorsumme dreier Achsen) nach EN62841-2-14:

Modell DKP140

Arbeitsmodus: Hobeln von Weichholz

Schwingungsbelastung (a_{h1}): 3,5 m/s²

Abweichung (K): 1,5 m/s²

Modell DKP180

Arbeitsmodus: Hobeln von Weichholz

Schwingungsbelastung (a_{h1}): 4,5 m/s²

Abweichung (K): 1,5 m/s²

ENG901-1

- Der hier angegebene Wert für die erzeugten Schwingungen wurde gemäß dem genormten Testverfahren ermittelt und kann als Vergleich zu anderen Werkzeugen herangezogen werden.
- Der angegebene Wert für die erzeugten Schwingungen ist außerdem für eine vorbeugende Bewertung der Belastung zu verwenden.

WARNUNG:

- Die Schwingungsbelastung kann bei tatsächlichem Gebrauch des Elektrowerkzeugs in Abhängigkeit von der Handhabung des Elektrowerkzeugs von dem hier aufgeführten Wert abweichen.
- Stellen Sie sicher, dass Schutzmaßnahmen für den Bediener getroffen werden, die auf den unter den tatsächlichen Arbeitsbedingungen zu erwartenden Belastungen beruhen (beziehen Sie alle Bestandteile des Arbeitsablaufs ein, also zusätzlich zu den Arbeitszeiten auch Zeiten, in denen das Werkzeug ausgeschaltet ist oder ohne Last läuft).

EG-Konformitätserklärung

Nur für europäische Länder

Die EG-Konformitätserklärung liegt dieser Betriebsanleitung als Anhang A bei.

ITALIANO (Istruzioni originali)

Spiegazione della vista generale

- | | | |
|--------------------------------|---|---|
| 1. Pulsante | 22. Bordo interno della piastra di misurazione | 38. Ugello |
| 2. Indicatore rosso | 23. Bordo della lama | 39. Sacchetto raccogli-polvere |
| 3. Batteria | 24. Viti | 40. Dispositivo di fissaggio |
| 4. Spie luminose | 25. Fondo | 41. Gomito |
| 5. Pulsante di controllo | 26. Lato posteriore della base di misurazione | 42. Inizio |
| 6. Indicatore a stella | 27. Piastra di misurazione | 43. Fine |
| 7. Indicatore di misura | 28. Base di misurazione | 44. Linea di taglio |
| 8. Manopola | 29. Vite con testa troncoconica | 45. Vite |
| 9. Sicura di accensione | 30. Alette di posizionamento della lama della piallatrice | 46. Guida laterale (accessorio opzionale) |
| 10. Interruttore di accensione | 31. Fondo della piastra di regolazione | 47. Supporto per affilatura |
| 11. Lama della piallatrice | 32. Piastra di fissaggio | 48. Dado ad alette |
| 12. Base posteriore | 33. Fianco interno della piastra di misurazione | 49. Lama (A) |
| 13. Piedino | 34. Lato posteriore della base di misurazione | 50. Lama (B) |
| 14. Chiave a tubo | 35. Mini lama della piallatrice | 51. Lato (D) |
| 15. Bullone | 36. Scanalatura | 52. Lato (C) |
| 16. Allentare | 37. Bulloni a testa esagonale flangiata | 53. Indicatore di limite |
| 17. Serrare | | 54. Coperchio del portaspazzola |
| 18. Bulloni | | 55. Cacciavite |
| 19. Tamburo | | |
| 20. Coperchio del tamburo | | |
| 21. Piastra di regolazione | | |

CARATTERISTICHE TECNICHE

Modello	DKP140	DKP180
Larghezza di piallatura	82 mm	
Profondità di piallatura	1,6 mm	2 mm
Profondità di scanalatura	9 mm	
Velocità a vuoto (min ⁻¹)	15.000	
Lunghezza complessiva	329 mm	333 mm
Peso netto	3,0 - 3,3 kg	3,2 - 3,5 kg
Tensione nominale	14,4 V CC	18 V CC

- Le caratteristiche tecniche riportate di seguito sono soggette a modifiche senza preavviso in virtù del nostro programma continuo di ricerca e sviluppo.
- Le caratteristiche tecniche possono differire da paese a paese.
- Il peso può variare in base agli accessori in uso, compresa la batteria. Le combinazioni più leggere e pesanti, in conformità alla procedura EPTA 01/2014, sono mostrate nella tabella.

Batteria e caricabatteria applicabili

Batteria	14,4 V CC Modello	BL1415N/BL1430/BL1430B/BL1440/BL1450/BL1460B
	18 V CC Modello	BL1815N/BL1820/BL1820B/BL1830/BL1830B/BL1840/BL1840B/BL1850/BL1850B/BL1860B
Caricatore	DC18RC/DC18RD/DC18RE/DC18SD/DC18SE/DC18SF	

- Alcune delle batterie e dei caricabatterie elencati sopra potrebbero non essere disponibili a seconda della vostra regione di residenza.

ATTENZIONE:

- Utilizzare solo le batterie e i caricabatterie elencati sopra.** L'uso di batterie e caricabatterie diversi può far sorgere il rischio di infortuni e/o incendi.

Uso previsto

ENE001-1

L'utensile è progettato per la piallatura del legno.

Avvertenze generali relative alla sicurezza dell'utensile elettrico

GEA010-2

⚠ AVVERTENZA: Leggere tutte le avvertenze di sicurezza, le istruzioni, le illustrazioni e i dati tecnici forniti con il presente utensile elettrico. La mancata osservanza di tutte le istruzioni elencate di seguito potrebbe risultare in scosse elettriche, incendi e/o gravi lesioni personali.

Conservare tutte le avvertenze e le istruzioni come riferimento futuro.

Il termine "utensile elettrico" nelle avvertenze si riferisce sia all'utensile elettrico (cablato) nel funzionamento alimentato da rete elettrica che all'utensile elettrico (a batteria) nel funzionamento alimentato a batteria.

AVVERTENZE DI SICUREZZA RELATIVE ALLA PIALLA A BATTERIA

GEB168-1

1. **Prima di appoggiare l'utensile, attendere che la lama si arresti.** Una lama rotante esposta potrebbe fare presa sulla superficie, portando alla possibile perdita di controllo e a gravi lesioni personali.
2. **Utilizzare delle morse o altri sistemi pratici per fissare e sostenere un pezzo in lavorazione su un piano stabile.** Un pezzo in lavorazione mantenuto in mano o contro il proprio corpo resta instabile, e potrebbe portare a una perdita di controllo.
3. **Non lasciare mai stracci, tessuti, cavi, nastri e oggetti simili in prossimità dell'area di lavoro.**
4. **Evitare di tagliare chiodi.** Prima dell'uso, ispezionare il pezzo in lavorazione e rimuovere da quest'ultimo tutti i chiodi.
5. **Utilizzare solo lame affilate.** Maneggiare le lame con estrema cautela.
6. **Prima dell'uso, accertarsi che i bulloni di installazione della lama siano serrati saldamente.**
7. **Mantenere saldamente l'utensile con entrambe le mani.**
8. **Tenere le mani lontane dalle parti rotanti.**
9. **Prima di utilizzare l'utensile sul pezzo in lavorazione effettivo, lasciarlo funzionare a vuoto per un po' di tempo.** Osservare l'eventuale presenza di vibrazioni od oscillazioni che potrebbero indicare un'installazione errata o un bilanciamento inappropriato della lama.
10. **Prima di attivare l'interruttore, accertarsi che la lama non sia in contatto con il pezzo in lavorazione.**
11. **Prima di effettuare il taglio, attendere che la lama abbia raggiunto la piena velocità.**
12. **Prima di effettuare qualsiasi regolazione, spegnere sempre l'utensile e attendere che le lame si siano arrestate completamente.**
13. **Non infilare mai le dita nello scarico dei trucioli.** Lo scarico potrebbe incepparsi quando si taglia del

legno umido. Eliminare i trucioli con un bastoncino.

14. **Non lasciare l'utensile mentre è in funzione.** Far funzionare l'utensile solo mentre viene tenuto in mano.
15. **Sostituire sempre entrambe le lame o le coperture del tamburo; in caso contrario, si verificherebbero sbilanciamenti che causerebbero vibrazioni e ridurrebbero la vita utile dell'utensile.**
16. **Utilizzare esclusivamente le lame Makita specificate nel presente manuale.**
17. **Utilizzare sempre la mascherina antipolvere o il respiratore appropriati per il materiale e l'applicazione con cui si intende lavorare.**

CONSERVARE LE PRESENTI ISTRUZIONI.

⚠ AVVERTIMENTO:
NON lasciare che la comodità o la familiarità d'uso con il prodotto (acquisita con l'uso ripetuto) sostituiscano la stretta osservanza delle norme di sicurezza.

L'USO IMPROPRIO o la mancata osservanza delle norme di sicurezza riportate nel presente manuale di istruzioni potrebbero causare lesioni personali gravi.

ISTRUZIONI DI SICUREZZA IMPORTANTI PER LA CARTUCCIA DELLA BATTERIA

ENC007-12

1. **Prima di utilizzare la batteria, leggere tutte le istruzioni e gli avvisi di sicurezza relativi a (1) caricabatteria, (2) batteria e (3) prodotto utilizzato con la batteria.**
2. **Non smontare la batteria.**
3. **Se il tempo di funzionamento è diventato eccessivamente breve, non utilizzare l'utensile.** Potrebbero verificarsi surriscaldamenti, ustioni o esplosioni.
4. **In caso di contatto dell'elettrolita della batteria con gli occhi, sciacquare con acqua fresca e rivolgersi immediatamente a un medico.** Potrebbero verificarsi danni permanenti alla funzionalità visiva.
5. **Non cortocircuitare la batteria:**
 - (1) **Non toccare i terminali della batteria con materiale in grado di condurre elettricità.**
 - (2) **Evitare di conservare la batteria a contatto con oggetti metallici quali chiodi, monete e così via.**
 - (3) **Non esporre le batterie all'acqua o alla pioggia.**Un cortocircuito può provocare un elevato flusso di corrente, surriscaldamento, ustioni o rotture.
6. **Non conservare l'utensile e la batteria a una temperatura superiore a 50 °C.**
7. **Evitare di smaltire le batterie danneggiate o esaurite bruciandole.** Se esposte al fuoco, le batterie possono esplodere.
8. **Evitare di far cadere o di colpire la batteria.**
9. **Non utilizzare batterie danneggiate.**

10. Le batterie a ioni di litio contenute sono soggette ai requisiti del regolamento sul trasporto di merci pericolose (Dangerous Goods Legislation).

Per trasporti commerciali, ad esempio da parte di terzi o spedizionieri, è necessario osservare dei requisiti speciali sull'imballaggio e sull'etichetta.

Per la preparazione dell'articolo da spedire, è richiesta la consulenza di un esperto in materiali pericolosi.

Attenersi anche alle normative nazionali, che potrebbero essere più dettagliate.

Nastrare o coprire i contatti aperti e imballare la batteria in modo tale che non si possa muovere liberamente all'interno dell'imballaggio.

11. Attenersi alle normative della propria area geografica relative allo smaltimento delle batterie.

12. Utilizzare le batterie solo con i prodotti specificati da Makita. L'installazione delle batterie in prodotti non compatibili potrebbe causare incendi, calore eccessivo, esplosione o perdita di elettroliti.

CONSERVARE QUESTE ISTRUZIONI.

⚠ ATTENZIONE: Utilizzare solo batterie originali Makita.

L'utilizzo di batterie Makita non originali, o di batterie che siano state alterate, potrebbe risultare nello scoppio della batteria, causando incendi, lesioni personali e danni. Inoltre, ciò potrebbe invalidare la garanzia Makita per l'utensile e il caricabatterie Makita.

Suggerimenti per il prolungamento della durata della batteria

- Caricare le batterie prima di scaricarle completamente.**
Se si nota una diminuzione di potenza dell'utensile, interrompere il lavoro e ricaricare la batteria.
- Non ricaricare una batteria già completamente carica.**
In caso contrario, la durata operativa della batteria potrebbe ridursi.
- Caricare la batteria in ambienti con temperatura compresa tra 10 °C e 40 °C.** Prima di caricare una batteria surriscaldata, lasciarla raffreddare.
- Caricare la batteria qualora non venga utilizzata per un lungo periodo (superiore a sei mesi).**

DESCRIZIONE FUNZIONALE

⚠ ATTENZIONE:

- Prima di regolare o controllare le funzioni dell'utensile, verificare sempre di averlo spento e di aver rimosso la batteria.

Installazione o rimozione della batteria (Fig. 1)

- Spegnerne sempre l'utensile prima di installare o rimuovere la batteria.
- Per rimuovere la batteria, estrarla dall'utensile facendo scorrere il pulsante nella parte anteriore della batteria
- Per inserire la batteria, allineare la linguetta sulla batteria con la scanalatura nell'alloggiamento e farla

scorrere fino a raggiungere la posizione corretta. Inserire sempre la batteria fino a quando non si blocca in posizione con uno scatto. Se l'indicatore rosso sul lato superiore del pulsante è ancora visibile, la batteria non è completamente inserita. Inserirli fino a quando l'indicatore rosso non è più visibile. In caso contrario potrebbe fuoriuscire accidentalmente dall'utensile e provocare infortuni all'operatore o a eventuali osservatori.

- Non esercitare una forza eccessiva durante l'inserimento della batteria. Se la batteria non scorre agevolmente, la manovra di inserimento non è corretta.

Indicazione della capacità residua della batteria

Solo per cartucce delle batterie dotate di indicatore (Fig. 2)

Premere il pulsante di controllo sulla cartuccia della batteria per indicare la carica residua della batteria. Gli indicatori luminosi si illuminano per alcuni secondi.

Spie luminose			Capacità residua
Accesa	Spenta	Lampeggiante	
■	□	◻	Dal 75% al 100%
■	■	□	Dal 50% al 75%
■	■	□	Dal 25% al 50%
■	□	□	Dal 0% al 25%
◻	□	□	Caricare la batteria.
■	■	□	Probabile malfunzionamento della batteria.

NOTA:

- Il valore indicato potrebbe variare leggermente dalla capacità effettiva in base alle condizioni di utilizzo e alla temperatura ambientale.

Sistema di protezione della batteria (batteria con indicatore a stella) (Fig. 3)

La batteria con l'indicatore a stella è dotata di un sistema di protezione che interrompe automaticamente il flusso di corrente per garantirne una maggiore durata.

Se l'utensile e/o la batteria vengono utilizzati nelle situazioni indicate di seguito, l'utensile potrebbe arrestarsi durante il funzionamento. Questo comportamento è causato dall'attivazione del sistema di protezione e non deve essere considerato come un problema di funzionamento.

- Quando l'utensile è in sovraccarico:
Rilasciare l'interruttore di accensione, rimuovere la batteria e risolvere le cause del sovraccarico, quindi azionare di nuovo l'interruttore di accensione per riavviare l'utensile.

- Quando le celle della batteria si surriscaldano:
Se viene azionato l'interruttore di accensione, il motore resta fermo. Smettere di utilizzare l'utensile e lasciarlo raffreddare, oppure caricare la batteria dopo averla rimossa dall'utensile.
- Quando la capacità residua della batteria è ridotta:
Se viene azionato l'interruttore di accensione, il motore resta fermo. Rimuovere la batteria dall'utensile e caricarla.

Regolazione della profondità di taglio (Fig. 4)

La profondità di taglio può essere regolata semplicemente ruotando la manopola posta nella parte anteriore dell'utensile, in modo che l'indicatore di misura sia in corrispondenza della profondità di taglio desiderata.

Azionamento dell'interruttore (Fig. 5)

⚠ ATTENZIONE:

- Prima di inserire la batteria nell'utensile, controllare se l'interruttore di accensione funziona correttamente e ritorna alla posizione "OFF" una volta rilasciato.
- Non tirare con forza l'interruttore di accensione senza aver prima premuto la sicura di accensione. In caso contrario, l'interruttore potrebbe rompersi.

La sicura di accensione consente di evitare l'azionamento involontario dell'interruttore di accensione. Per avviare l'utensile, far scorrere la sicura di accensione e tirare l'interruttore di accensione. Per spegnere l'utensile, rilasciare l'interruttore di accensione.

⚠ AVVERTENZA:

- Per la sicurezza personale, questo utensile è dotato di una sicura di accensione che ne impedisce l'azionamento accidentale. NON utilizzare l'utensile se è possibile azionarlo semplicemente tirando l'interruttore di accensione senza premere la relativa sicura. PRIMA di utilizzare nuovamente l'utensile, rivolgersi a un centro di assistenza MAKITA per le necessarie riparazioni.
- NON tentare di manomettere o di vanificare lo scopo e la funzione della sicura di accensione.

Piedino (Fig. 6)

Dopo un'operazione di taglio, sollevare il lato posteriore dell'utensile in modo da far sporgere il piedino al di sotto della base posteriore. Questo comportamento evita il danneggiamento delle lame dell'utensile.

MONTAGGIO

⚠ ATTENZIONE:

- Prima di eseguire qualsiasi operazione sull'utensile, verificare sempre di averlo spento e di aver rimosso la batteria.

Installazione o rimozione delle lame della piallatrice

⚠ ATTENZIONE:

- Serrare con attenzione i bulloni di fissaggio delle lame quando queste vengono montate sull'utensile.

L'allentamento dei bulloni può essere pericoloso.

Controllare sempre che siano serrati correttamente.

- Maneggiare le lame con estrema cautela. Utilizzare guanti o stracci per proteggere mani e dita durante la rimozione o l'installazione delle lame.
- Per installare o rimuovere le lame utilizzare solo la chiave fornita da Makita. In caso contrario i bulloni di fissaggio potrebbero risultare troppo stretti oppure allentati. Questa situazione può essere causa di infortuni.

Per utensili con lame da piallatrice convenzionali (Fig. 7 - 9)

Per rimuovere le lame dal tamburo, svitare i bulloni di fissaggio con la chiave a tubo. Il coperchio del tamburo si stacca insieme alle lame.

Per installare le lame, eliminare prima tutti i trucioli o i corpi estranei presenti sul tamburo o sulle lame. Utilizzare lame della stessa dimensione e dello stesso peso per evitare vibrazioni e oscillazioni del tamburo, che potrebbero compromettere la qualità del lavoro di piallatura e comportare il danneggiamento dell'utensile. Posizionare la lama sulla base di misurazione, in modo che il bordo della lama sia perfettamente allineato al bordo interno della piastra di misurazione. Posizionare la piastra di regolazione sulla lama, quindi premere il fondo della piastra di regolazione allineandolo al lato posteriore della base di misurazione e serrare le due viti poste sulla piastra stessa. Infilare ora il fondo della piastra di regolazione nella scanalatura del tamburo, applicando infine il coperchio del tamburo sulla piastra. Serrare tutti i bulloni di fissaggio in modo alternato e con la stessa forza utilizzando la chiave a tubo.

Ripetere le procedure indicate per l'altra lama.

Per utensili con mini lame da piallatrice (Fig. 10)

1. Rimuovere la lama presente. Se l'utensile è stato utilizzato, pulire accuratamente la superficie del tamburo e il suo coperchio. Per rimuovere le lame dal tamburo, svitare i tre bulloni di fissaggio con la chiave a tubo. Il coperchio del tamburo si stacca insieme alle lame. (Fig. 11)
2. Per installare le lame, applicare senza stringere la piastra di regolazione sulla piastra di fissaggio utilizzando le viti con testa troncoconica e posizionare la mini lama da piallatrice sulla base di misurazione, in modo che il tagliente della lama sia perfettamente allineato al fianco interno della piastra di misurazione.
3. Posizionare la piastra di regolazione e la piastra di fissaggio sulla base di misurazione, in modo che le alette di posizionamento della lama della piallatrice rientrino nella scanalatura della mini lama da piallatrice, quindi premere il fondo della piastra di regolazione allineandolo al lato posteriore della base di misurazione, fissandolo con le viti con testa troncoconica.
4. È importante che la lama sia allineata al fianco interno della piastra di misurazione, che le alette di posizionamento della lama della piallatrice siano inserite nella scanalatura della lama e che il fondo della piastra di regolazione sia allineato al lato posteriore della base di misurazione. Controllare attentamente l'allineamento per ottenere un taglio uniforme.

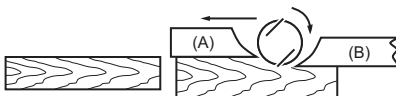
5. Inserire il fondo della piastra di regolazione nella scanalatura del tamburo. (Fig. 12)
6. Posizionare il coperchio del tamburo sopra la piastra di regolazione e la piastra di fissaggio, quindi avvitare i tre bulloni a testa esagonale flangiata in modo da lasciare uno spazio tra il tamburo e la piastra di fissaggio con cui far scorrere la mini lama della piallatrice in posizione. La lama sarà messa in posizione dalle alette di posizionamento della lama della piallatrice poste sulla piastra di fissaggio.
7. La regolazione della lama nel senso della lunghezza dovrà essere eseguita manualmente, in modo che le estremità della lama siano libere ed equidistanti dall'alloggiamento su un lato e dalla staffa metallica sull'altro.
8. Serrare i tre bulloni a testa esagonale flangiata (utilizzando la chiave a tubo in dotazione) e ruotare il tamburo per controllare la distanza tra le estremità della lama e il corpo dell'utensile.
9. Controllare che i tre bulloni a testa esagonale flangiata siano serrati correttamente.
10. Ripetere le procedure da 1 a 9 per l'altra lama.

Per il corretto assetto della lama della piallatrice

Se la lama non è fissata in modo corretto la superficie piallata risulterà ruvida e irregolare. La lama deve essere montata in modo che il tagliente sia assolutamente in piano, cioè parallelo alla superficie della base posteriore. Di seguito sono riportati alcuni esempi di montaggio corretto ed errato.

- (A) Base anteriore (pattino regolabile)
- (B) Base posteriore (pattino fisso)

Montaggio corretto



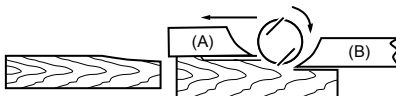
Sebbene non visibili in questa vista laterale, i bordi delle lame sono perfettamente paralleli alla superficie della base posteriore.

Tacche sulla superficie



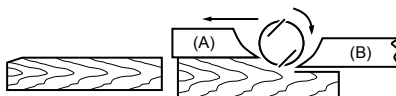
Causa: I bordi di una o entrambe le lame non sono paralleli alla linea di base posteriore.

Irregolarità all'inizio



Causa: I bordi di una o di entrambe le lame non sporgono abbastanza rispetto alla linea di base posteriore.

Incavo alla fine



Causa: I bordi di una o di entrambe le lame sporgono troppo rispetto alla linea di base posteriore.

EN0004-1

Sacchetto raccogli-polvere (accessorio) (Fig. 13)

Per utensili privi di ugello

Rimuovere il paratrucioli e montare l'ugello (accessorio opzionale). Collegare il sacchetto raccogli-polvere all'ugello. L'ugello è rastremato. Per collegare il sacchetto raccogli-polvere, spingerlo con forza sull'ugello fino in fondo, in modo che non fuoriesca durante il lavoro.

Per utensili con ugello

Collegare il sacchetto raccogli-polvere all'ugello. L'ugello è rastremato. Per collegare il sacchetto raccogli-polvere, spingerlo con forza sull'ugello fino in fondo, in modo che non fuoriesca durante il lavoro. (Fig. 14)

Rimuovere il sacchetto raccogli-polvere dall'utensile quando è pieno per metà, tirando verso l'esterno il dispositivo di fissaggio. Svuotare il sacchetto raccogli-polvere scuotendolo leggermente, in modo da eliminare le particelle aderenti ai lati interni che potrebbero ostacolare il corretto funzionamento.

NOTA:

- Se si collega all'utensile un aspiratore Makita è possibile effettuare operazioni di pulizia più efficaci.

Collegamento di un aspiratore (Fig. 15)

Per utensili privi di ugello

Se si desidera eseguire operazioni di piallatura senza produrre polvere, collegare all'utensile un aspiratore Makita. Prima di collegare l'aspiratore, rimuovere il paratrucioli dall'utensile. Collegare quindi il tubo dell'aspiratore all'ugello (accessorio opzionale), come mostrato nelle figure.

Per utensili con ugello

Se si desidera eseguire operazioni di piallatura senza produrre polvere, collegare all'utensile un aspiratore Makita. Collegare quindi il tubo dell'aspiratore all'ugello, come mostrato nelle figure.

Gomito (accessorio opzionale) (Fig. 16)

Il gomito permette di cambiare la direzione di scarico dei trucioli per un lavoro più pulito.

Per utensili privi di ugello

Rimuovere i paratrucoli e montare l'ugello (accessorio opzionale). Collegare il gomito (accessorio opzionale) all'ugello dell'utensile semplicemente infilandolo sull'utensile stesso. Per rimuoverlo è sufficiente tirarlo verso l'esterno.

Per utensili con ugello

Collegare il gomito (accessorio opzionale) all'ugello dell'utensile semplicemente infilandolo sull'utensile stesso. Per rimuoverlo è sufficiente tirarlo verso l'esterno.

Pulizia dell'ugello

Pulire regolarmente l'ugello.

Utilizzare aria compressa per pulire l'ugello intasato.

USO

Quando si utilizza l'utensile, tenerlo saldamente posizionando una mano sulla manopola e l'altra sull'impugnatura con l'interruttore.

Operazione di piallatura (Fig. 17)

Appoggiare la base anteriore dell'utensile sulla superficie del pezzo in lavorazione, senza che le lame vengano a contatto con il pezzo. Accendere l'utensile e attendere che le lame raggiungano la massima velocità. Muovere lentamente l'utensile in avanti. Applicare pressione sulla parte anteriore dell'utensile all'inizio della piallatura e sulla parte posteriore alla fine dell'operazione. La piallatura sarà più agevole se il pezzo in lavorazione è fissato in modo che la piallatura avvenga in leggera pendenza. La qualità della finitura è determinata dalla velocità e dalla profondità di taglio. La velocità del lavoro deve essere tale da non provocare accumuli di trucioli. Per un raggio irregolare è possibile aumentare la profondità di taglio, ma per una finitura migliore occorre ridurre la profondità di taglio e procedere più lentamente.

Scanalatura (Fig. 18)

Per effettuare scanalature come quelle mostrate nella figura, utilizzare la guida laterale disponibile come accessorio. (Fig. 19)

Tracciare una linea di taglio sul pezzo in lavorazione. Inserire la guida laterale nell'apposito foro sulla parte anteriore dell'utensile. Allineare il bordo della lama con la linea di taglio. (Fig. 20)

Regolare la guida laterale fino a portarla a contatto con il lato del pezzo in lavorazione, quindi fissarla serrando la vite. (Fig. 21)

Durante la piallatura, muovere l'utensile con la guida laterale allineata al lato del pezzo in lavorazione. In caso contrario si potrebbe ottenere una piallatura non uniforme. La profondità massima della scanalatura è di 9 mm (Fig. 22)

La guida laterale può essere prolungata collegandole un ulteriore pezzo di legno. A tale scopo sono predisposti dei fori, utilizzabili anche per il collegamento di una prolunga (accessorio opzionale).

Smussatura (Fig. 23 e 24)

Per praticare un taglio smussato come quello mostrato nella figura, allineare la scanalatura a "V" nella base

anteriore con il bordo del pezzo in lavorazione e procedere alla piallatura.

MANUTENZIONE

⚠ ATTENZIONE:

- Prima di effettuare operazioni di ispezione o manutenzione, verificare sempre di averlo spento e di aver rimosso la batteria.
- Evitare assolutamente di usare benzina, diluenti, solventi, alcol o sostanze simili. In caso contrario, potrebbero verificarsi scoloriture, deformazioni o incrinature.

Affilatura delle lame della piallatrice

Solo per lame convenzionali (Fig. 25)

Per ottenere prestazioni ottimali le lame devono sempre essere affilate. Utilizzare il supporto per affilatura (accessorio opzionale) per rimuovere eventuali smussature e mantenere un bordo tagliente. (Fig. 26) Allentare i due dadi ad alette sul supporto e inserire le lame (A) e (B) in modo che esse siano a contatto con i lati (C) e (D). Serrare quindi i dadi ad alette. (Fig. 27) Immergere la pietra per molatura in acqua per 2 o 3 minuti prima di iniziare l'affilatura. Tenere il supporto in modo che entrambe le lame siano a contatto con la pietra per molatura, in modo da ottenere un'affilatura simultanea con lo stesso angolo.

Sostituzione delle spazzole in carbonio (Fig. 28)

Rimuovere e controllare periodicamente le spazzole in carbonio. Sostituirle quando sono consumate fino al limite indicato. Mantenere le spazzole in carbonio pulite e libere di scivolare nei supporti. Entrambe le spazzole in carbonio devono essere sostituite contemporaneamente. Utilizzare solo spazzole in carbonio identiche. (Fig. 29) Utilizzare un cacciavite per rimuovere i coperchi dei portaspazzola. Estrarre le spazzole in carbonio consumate, inserire le nuove spazzole e fissare i coperchi dei portaspazzola. Per mantenere la SICUREZZA e L'AFFIDABILITÀ del prodotto, le riparazioni e qualsiasi altra operazione di manutenzione o regolazione devono essere eseguite dai centri di assistenza autorizzati Makita, utilizzando sempre parti di ricambio Makita.

ACCESSORI OPZIONALI

⚠ ATTENZIONE:

- Si consiglia l'uso dei seguenti accessori per l'utensile Makita descritto in questo manuale. L'uso di qualsiasi altro accessorio potrebbe provocare lesioni personali. Utilizzare gli accessori esclusivamente per l'uso dichiarato.

Per l'assistenza e per ulteriori informazioni su tali accessori, rivolgersi al centro assistenza Makita di zona.

- Lama per piallatrice in acciaio ad alta velocità
- Lama per piallatrice al carburo di tungsteno (per una maggiore durata della lama)
- Mini lama della piallatrice
- Supporto per affilatura
- Calibro per lame

- Set di piastre di fissaggio
- Guida laterale (righello guida)
- Set di guide di estensione
- Pietra per molatura
- Ugello
- Sacchetto raccogliipolvere
- Gomito
- Chiave a tubo
- Valigetta di trasporto in plastica
- Diversi tipi di batterie e caricabatterie originali Makita

NOTA:

- Alcuni degli accessori elencati potrebbero essere inclusi nella confezione dell'utensile come accessori standard. Gli accessori standard possono differire da paese a paese.

Rumore

ENG905-1

Il tipico livello di rumore ponderato A è determinato in conformità alla norma EN62841-2-14:

Modello DKP140

Livello di pressione sonora (L_{pA}): 86 dB (A)

Livello di potenza sonora (L_{WA}): 97 dB (A)

Variazione (K): 3 dB (A)

Modello DKP180

Livello di pressione sonora (L_{pA}): 87 dB (A)

Livello di potenza sonora (L_{WA}): 98 dB (A)

Variazione (K): 3 dB (A)

Indossare una protezione acustica.

Vibrazioni

ENG900-1

Il valore totale delle vibrazioni (somma vettoriale triassiale) è determinato in conformità alla norma EN62841-2-14:

Modello DKP140

Modalità di lavoro: piallatura di legno dolce

Emissione di vibrazioni (a_h): 3,5 m/s²

Variazione (K): 1,5 m/s²

Modello DKP180

Modalità di lavoro: piallatura di legno dolce

Emissione di vibrazioni (a_h): 4,5 m/s²

Variazione (K): 1,5 m/s²

ENG901-1

- Il valore di emissione delle vibrazioni dichiarato è stato misurato in conformità con il metodo di test standard e può essere utilizzato per confrontare tra loro diversi utensili.
- Il valore dell'emissione delle vibrazioni dichiarato può anche essere usato per stime preliminari dell'esposizione.

⚠ AVVERTENZA:

- L'emissione delle vibrazioni durante l'uso effettivo dell'utensile elettrico può risultare diversa rispetto al valore dichiarato, in base alla modalità d'uso dell'utensile.
- Assicurarsi di individuare le necessarie misure di sicurezza per proteggere l'operatore in base a una stima dell'esposizione nelle condizioni reali di utilizzo (prendendo in considerazione tutte le fasi del ciclo operativo, come quante volte l'utensile viene spento e i periodi in cui rimane inattivo, oltre al tempo di avviamento).

Dichiarazione di conformità CE

Solo per i paesi europei

La dichiarazione di conformità CE è inclusa nell'Allegato A di questo manuale di istruzioni.

NEDERLANDS (Originele instructies)

Verklaring van het onderdelenoverzicht

1. Knop	20. Cilinderdekplaat	39. Stofzak
2. Rode deel	21. Afstelplaat	40. Sluiting
3. Accu	22. Binnenzijde van meetplaat	41. Kniestuk
4. Indicatorlampjes	23. Rand van het schaafmes	42. Begin
5. Testknop	24. Schroeven	43. Einde
6. Ster-merkteken	25. Hiel	44. Schaaflijn
7. Aanwijspunt	26. Achterkant van meetblok	45. Schroef
8. Knop	27. Meetplaat	46. Randgeleider (los verkrijgbaar)
9. Uit-vergrendelhendel	28. Meetblok	47. Aanscherphouder
10. Aan/uit-schakelaar	29. Bolkopschroef	48. Vleugelmoer
11. Schaafmes	30. Positioneerlippen van schaafmes	49. Schaafmes (A)
12. Achterzool	31. Hiel van afstelplaat	50. Schaafmes (B)
13. Pootje	32. Aanzetplaat	51. Zijkant (D)
14. Dopsleutel	33. Binnenzijde van meetplaat	52. Zijkant (C)
15. Bout	34. Achterkant van meetblok	53. Slijtgrensmarkering
16. Losdraaien	35. Minischaafmes	54. Koolborsteldop
17. Vastdraaien	36. Groef	55. Schroevendraaier
18. Bouten	37. Zeskantflensbouten	
19. Cilinder	38. Mondstuk	

TECHNISCHE GEGEVENS

Model	DKP140	DKP180
Schaafbreedte	82 mm	
Schaafdiepte	1,6 mm	2 mm
Rabatdiepte	9 mm	
Nullasttoerental (min ⁻¹)	15.000	
Totale lengte	329 mm	333 mm
Netto gewicht	3,0 - 3,3 kg	3,2 - 3,5 kg
Nominale spanning	14,4 volt gelijkstroom	18 volt gelijkstroom

- Als gevolg van ons doorlopende onderzoeks- en ontwikkelingsprogramma, zijn de technische gegevens van dit gereedschap onderhevig aan veranderingen zonder voorafgaande kennisgeving.
- De technische gegevens kunnen van land tot land verschillen.
- Het gewicht kan verschillen afhankelijk van het/de hulpstuk(ken), waaronder de accu. De lichtste en zwaarste combinatie, volgens EPTA-Procedure 01/2014, worden vermeld in de tabel.

Geschiedte accu en acculader

Accu	14,4V gelijkspanning Model	BL1415N/BL1430/BL1430B/BL1440/BL1450/BL1460B
	18 V gelijkspanning Model	BL1815N/BL1820/BL1820B/BL1830/BL1830B/BL1840/BL1840B/BL1850/BL1850B/BL1860B
Acculader		DC18RC/DC18RD/DC18RE/DC18SD/DC18SE/DC18SF

- Sommige van de bovenvermelde accu's en acculaders zijn mogelijk niet leverbaar, afhankelijk van het gebied waarin u woont.

WAARSCHUWING:

- **Gebruik uitsluitend de bovenvermelde accu's en acculaders.** Als u een andere accu of oplader gebruikt, kan dit leiden tot letsel en/of brand.


Gebruiksdoelinden

Het gereedschap is bedoeld om hout te schaven.

ENE001-1

Algemene veiligheidswaarschuwingen voor elektrisch gereedschap

GEA010-2

 **WAARSCHUWING: Lees alle veiligheidswaarschuwingen, aanwijzingen,**

afbeeldingen en technische gegevens behorend bij dit elektrische gereedschap aandachtig door. Als u niet alle onderstaande aanwijzingen naleeft, kan dat resulteren in brand, elektrische schokken en/of ernstig letsel.

Bewaar alle waarschuwingen en instructies om in de toekomst te kunnen raadplegen.

De term "elektrisch gereedschap" in de veiligheidsvoorschriften duidt op gereedschappen die op stroom van het lichtnet werken (met snoer) of gereedschappen met een accu (snoerloos).

VEILIGHEIDSWAARSCHUWINGEN SPECIFIEK VOOR EEN ACCUSCHAAF

GEB168-1

1. **Wacht totdat de schaafmessen stilstaan alvorens het gereedschap neer te leggen.** De blootliggende, ronddraaiende schaafmessen kunnen de ondergrond raken waardoor u de controle over het gereedschap kunt verliezen en ernstig letsel het gevolg kan zijn.
2. **Gebruik klemmen of andere bevestigingsmiddelen om het werkstuk op een stabiel platform te bevestigen en te ondersteunen.** Als u het werkstuk in uw hand of tegen uw lichaam geklemd houdt, is het onvoldoende stabiel en kunt u de controle erover verliezen.
3. **Poetsdoeken, lappen, snoeren, touwen en dergelijke mogen nooit rondslingeren op de werkplek.**
4. **Voorkom dat u spijkers raakt. Inspecteer het werkstuk op spijkers en verwijder deze zo nodig voordat u ermee begint te werken.**
5. **Gebruik uitsluitend scherpe schaafmessen. Behandel de schaafmessen voorzichtig.**
6. **Controleer of de bevestigingsbouten van de schaafmessen stevig vastgedraaid zijn voordat u het gereedschap bedient.**
7. **Houd het gereedschap met beide handen stevig vast.**
8. **Houd uw handen uit de buurt van draaiende delen.**
9. **Laat het gereedschap een tijdje draaien voordat u het op het werkstuk gebruikt. Controleer op trillingen of schommelingen die op onjuiste montage of slecht uitgebalanceerde schaafmessen kunnen wijzen.**
10. **Zorg dat de schaafmessen het werkstuk niet raken voordat u de schakelaar inknijpt.**
11. **Wacht totdat de schaafmessen op volle snelheid draaien voordat u begint te schaven.**
12. **Wacht na het uitschakelen altijd totdat de schaafmessen volledig stilstaan voordat u iets afstelt.**
13. **Steek nooit uw vinger in de houtsnippers-uitwerpopening. De houtsnippers-uitwerpopening kan verstopt raken bij het schaven van vochtig hout. Verwijder de houtsnippers met een stokje.**

14. **Laat het gereedschap niet onnodig ingeschakeld. Bedien het gereedschap alleen terwijl u het vasthoudt.**
15. **Vervang altijd beide schaafmessen of cilinderdekplaten tegelijk omdat anders de resulterende onbalans tot trillingen zal leiden en de levensduur van het gereedschap zal verkorten.**
16. **Gebruik uitsluitend schaafmessen van Makita die in deze gebruiksaanwijzing worden aangegeven.**
17. **Draag altijd het stofmasker/ademhalingsapparaat dat geschikt is voor het materiaal en de toepassing waarmee u werkt.**

BEWAAR DEZE VOORSCHRIFTEN.



WAARSCHUWING:

Laat u NIET misleiden door een vals gevoel van comfort en bekendheid met het gereedschap (na veelvuldig gebruik) en neem alle veiligheidsvoorschriften van het betreffende gereedschap altijd strikt in acht. **VERKEERD GEBRUIK** of het niet naleven van de veiligheidsvoorschriften in deze gebruiksaanwijzing kan leiden tot ernstige verwondingen.

BELANGRIJKE VEILIGHEIDSINSTRUCTIES VOOR EEN ACCU

ENC007-12

1. **Alvorens de accu in gebruik te nemen, leest u eerst alle instructies en waarschuwingsofschriften op (1) de acculader, (2) de accu en (3) het apparaat waarin de accu wordt aangebracht.**
2. **Haal de accu niet uit elkaar.**
3. **Als de gebruikstijd aanzienlijk korter is geworden, stopt u onmiddellijk met het gebruik. Anders kan dit leiden tot kans op oververhitting, mogelijke brandwonden en zelfs een explosie.**
4. **Als de elektrolyt in uw ogen komt, wast u deze uit met schoon water en raadpleegt u onmiddellijk een arts. Dit kan leiden tot verlies van gezichtsvermogen.**
5. **Sluit de accu niet kort:**
 - (1) **Raak de accupolen niet aan met enig geleidend materiaal.**
 - (2) **Bewaar de accu niet op een plaats waar deze in aanraking kan komen met andere metalen voorwerpen, zoals spijkers, munten, enz.**
 - (3) **Stel de accu niet bloot aan water of regen. Kortsluiting van de accu kan leiden tot een hoge stroomsterkte, oververhitting, mogelijke brandwonden en zelfs een defect.**
6. **Bewaar het gereedschap en de accu niet op plaatsen waar de temperatuur kan oplopen tot 50 °C of hoger.**
7. **Werp de accu niet in een vuur, zelfs niet als deze al ernstig beschadigd of helemaal versleten is. De accu kan in een vuur exploderen.**
8. **Wees voorzichtig dat u de accu niet laat vallen of ergens tegenaan stoot.**
9. **Gebruik nooit een beschadigde accu.**

10. **De bijgeleverde lithium-ionbatterijen zijn onderhevig aan de vereisten in de wetgeving omtrent gevaarlijke stoffen.**

Voor commercieel transport en dergelijke door derden en transporteurs moeten speciale vereisten ten aanzien van verpakking en etikettering worden nageleefd.

Als voorbereiding van het artikel dat wordt getransporteerd is het noodzakelijk een expert op het gebied van gevaarlijke stoffen te raadplegen. Houd u tevens aan mogelijk strengere nationale regelgeving. Blootliggende contactpunten moeten worden afgedekt met tape en de accu moet zodanig worden verpakt dat deze niet kan bewegen in de verpakking.

11. **Neem de plaatselijke regelgeving met betrekking tot het weggooiën van de accu in acht.**

12. **Gebruik de accu's uitsluitend met de apparaten opgegeven door Makita.** Als de accu's worden geplaatst in niet-compatibele apparaten, kan dat leiden tot brand, buitensporige hitte, een explosie of lekkage van elektrolyt.

BEWAAR DEZE INSTRUCTIES.

⚠ LET OP: Gebruik uitsluitend originele Makita accu's.

Het gebruik van niet-originele accu's, of accu's die zijn gewijzigd, kan ertoe leiden dat de accu ontploft en brand, persoonlijk letsel en schade veroorzaakt. Ook vervalt daarmee de garantie van Makita op het gereedschap en de lader van Makita.

Tips voor een lange levensduur van de accu

1. **Laad de accu op voordat deze volledig leeg is. Wanneer u merkt dat het gereedschap minder vermogen heeft, stopt u met het gebruik ervan en laadt u eerst de accu op.**
2. **Laad nooit een volledig opgeladen accu op. Te lang opladen verkort de levensduur van de accu.**
3. **Laad de accu op bij een omgevingstemperatuur van 10 °C tot 40 °C. Laat een warme accu eerst afkoelen voordat u deze oplaadt.**
4. **Als de accu gedurende een lange tijd (meer dan zes maanden) niet gebruikt, laadt u deze eerst op alvorens deze te gebruiken.**

BESCHRIJVING VAN DE FUNCTIES

⚠ LET OP:

- Zorg ervoor dat het gereedschap is uitgeschakeld en dat de accu is verwijderd voordat u de werking van het gereedschap aanpast of controleert.

De accu aanbrengen en verwijderen (zie afb. 1)


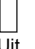






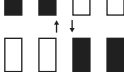
- Schakel het gereedschap altijd uit voordat u de accu aanbrengt of verwijderd.
- Om de accu te verwijderen verschuift u de knop aan de voorkant van de accu en schuift u tegelijkertijd de accu van het gereedschap af.

- Om de accu aan te brengen lijnt u de lip op de accu uit met de groef in de behuizing en duwt u de accu op zijn plaats. Steek de accu zo ver mogelijk in het gereedschap tot u een klinkgeluid hoort. Als u het rode deel aan de bovenkant van de knop kunt zien, is de accuadapter niet goed aangebracht. Breng de accuadapter zo ver mogelijk aan tot het rode deel niet meer zichtbaar is. Als u dit niet doet, kan de accu per ongeluk uit het gereedschap vallen en u of anderen in uw omgeving verwonden.
- Oefen geen grote kracht uit bij het aanbrengen van de accu. Als de accu niet gemakkelijk erin kan worden geschoven, wordt deze niet goed aangebracht.

Aanduiding van de resterende acculading

Alleen voor accu's met indicatorlampjes (zie afb. 2)

Druk op de testknop op de accu om de resterende acculading te zien. De indicatorlampjes branden gedurende enkele seconden.

Indicatorlampjes			Resterende acculading
 Brandt	 Uit	 Knippert	
			75% tot 100%
			50% tot 75%
			25% tot 50%
			0% tot 25%
			Laad de accu op.
			Er kan een storing in de accu zijn opgetreden.

OPMERKING:

- Afhankelijk van de gebruiksomstandigheden en de omgevingstemperatuur, is het mogelijk dat de aangegeven acculading verschilt van de werkelijke acculading.

Accubeveiligingssysteem (accu met een ster-merkteken) (zie afb. 3)

Een accu waarop het ster-merkteken staat is voorzien van een beveiligingssysteem dat automatisch het uitgangsvermogen onderbreekt voor een langere levensduur.

Het gereedschap stopt tijdens het gebruik wanneer het gereedschap en/of de accu zich in de volgende situatie bevinden. Dit wordt veroorzaakt door de inwerkingtreding van het beveiligingssysteem en duidt niet op een defect van het gereedschap.

- Bij overbelasting van het gereedschap:
Als dit het geval is, laat u de aan/uit-schakelaar los, verwijderd u de accu, heft u de oorzaak van de overbelasting op en knijpt u daarna de aan/uit-schakelaar weer in om verder te gaan.

- Als de accucellen heet zijn geworden:
Als de aan/uit-schakelaar wordt bediend, blijft het gereedschap stilstaan. Als dit het geval is, bedient u de gereedschap niet meer, verwijdert u de accu van het gereedschap, en laat u de accu afkoelen of laadt u hem op.
- Als de resterende acculading laag is:
Als de aan/uit-schakelaar wordt bediend, blijft het gereedschap stilstaan. Als dit het geval is, verwijdert u de accu van het gereedschap en laadt u hem op.

Schaafdiepte instellen (zie afb. 4)

De schaaftdiepte kan worden ingesteld door de knop op de voorkant van het gereedschap te draaien zodat de aanwijspunt de gewenste schaaftdiepte aanwijst.

In- en uitschakelen (zie afb. 5)

⚠ LET OP:

- Controleer altijd, voordat u de accu op het gereedschap aanbrengt, of de aan/uit-schakelaar op de juiste manier schakelt en weer terugkeert naar de uit-stand nadat deze is losgelaten.
- Knijp de aan/uit-schakelaar niet hard in zonder de uit-vergrendeling in te duwen. Hierdoor kan de aan/uit-schakelaar kapot gaan.

Om te voorkomen dat de aan/uit-schakelaar per ongeluk wordt bediend, is een uit-vergrendeling aangebracht. Om het gereedschap te starten, schuift u de uit-vergrendeling en knijpt u de aan/uit-schakelaar in. Laat de aan/uit-schakelaar los om het gereedschap te stoppen.

⚠ WAARSCHUWING:

- Omwille van uw veiligheid is dit gereedschap uitgerust met een uit-vergrendeling die voorkomt dat het gereedschap onbedoeld wordt ingeschakeld. Gebruik het gereedschap NOOIT wanneer dit draait door gewoon de aan/uit-schakelaar in te knijpen zonder de uit-vergrendeling in te duwen. Stuur het gereedschap voor deugdelijke reparatie terug naar een MAKITA-servicecentrum ALVORENS het verder te gebruiken.
- U mag NOOIT de uit-vergrendeling met plakband vastzetten of anderszins de werking en functie ervan te niet doen.

Pootje (zie afb. 6)

Na het schaven tilt u de achterkant van het gereedschap op zodat een pootje onder de achterzool uitkomt. Dit voorkomt dat de schaaftmesses van het gereedschap beschadigd worden.

DE ONDERDELEN MONTEREN

⚠ LET OP:

- Controleer altijd of het gereedschap is uitgeschakeld en de accu is verwijderd alvorens enige werkzaamheden aan het gereedschap te verrichten.

De schaaftmesses aanbrengen en verwijderen

⚠ LET OP:

- Draai de bevestigingsbouten van de schaaftmesses stevig vast wanneer u de schaaftmesses op het gereedschap bevestigt. Een losse bevestigingsbout

kan gevaarlijk zijn. Controleer altijd of ze stevig vastgedraaid zijn.

- Behandel de schaaftmesses voorzichtig. Gebruik handschoenen of doeken om uw vingers en handen te beschermen tijdens het aanbrengen en verwijderen van de schaaftmesses.
- Gebruik uitsluitend de bijgeleverde Makita-sleutel bij het aanbrengen of verwijderen van de schaaftmesses. Als u dit nalaat, loopt u het risico dat de bevestigingsbouten te vast of onvoldoende vast aangedraaid worden. Hierdoor kan letsel worden veroorzaakt.

Voor een gereedschap met standaardschaaftmesses (zie afb. 7 t/m 9)

Om de schaaftmesses van de cilinder te verwijderen, draait u de bevestigingsbouten los met de dopsleutel. De cilinderdekplaat komt los tezamen met de schaaftmesses. Om nieuwe schaaftmesses aan te brengen, verwijdert u eerst alle houtsnippers en vreemde materialen vanaf de cilinder en de schaaftmesses. Gebruik nieuwe schaaftmesses met dezelfde afmetingen en hetzelfde gewicht omdat anders slingeren en trillingen in de cilinder kunnen optreden waardoor op den duur het gereedschap kapot zal gaan.

Leg het schaaftmes zodanig op het meetblok dat de rand van het schaaftmes precies tegen de binnenzijde van de meetplaat aanligt. Leg de afstelplaat op het schaaftmes en duw daarna gewoon de hiel van de afstelplaat strak tegen de achterkant van het meetblok, en draai de twee schroeven van de afstelplaat vast. Plaats nu de hiel van de afstelplaat in de groef van de cilinder en bevestig de cilinderdekplaat erop. Draai de bevestigingsbouten gelijkmatig en beurtelings aan met behulp van de dopsleutel.

Herhaal de bovenstaande stappen voor het andere schaaftmes.

Voor een gereedschap met minischaaftmesses (zie afb. 10)

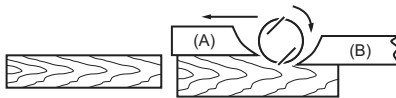
1. Verwijder het bestaande minischaaftmes, als het gereedschap gebruikt is, en reinig voorzichtig de cilinderoppervlakken en de cilinderdekplaat. Om de minischaaftmesses van de cilinder af te halen, draait u de drie bevestigingsbouten los met de dopsleutel. De cilinderdekplaat komt los tezamen met de minischaaftmesses (**zie afb. 11**).
2. Om de nieuwe minischaaftmesses aan te brengen, bevestigt u eerst de afstelplaat losjes op de aanzetplaat met de bolkopschroeven, en plaatst u het minischaaftmes zodanig op het meetblok dat de snijrand van het minischaaftmes precies tegen de binnenzijde van de meetplaat aanligt.
3. Leg de afstelplaat/aanzetplaat zodanig op het meetblok dat de schaaftmes-positioneringslippen op de aanzetplaat in de gleuf van het minischaaftmes vallen, duw daarna de hiel van de afstelplaat strak tegen de achterkant van het meetblok, en draai tenslotte de bolkopschroeven vast.
4. Het is belangrijk dat het minischaaftmes precies tegen de binnenzijde van de meetplaat aanligt, dat de schaaftmes-positioneringslippen in de gleuf van het minischaaftmes vallen, en dat de hiel van de afstelplaat tegen de achterkant van het meetblok

- aanligt. Controleer zorgvuldig dat deze uitlijning correct is voor uniform schaaferwerk.
- Plaats de hiel van de afstelplaat in de groef van de cilinder (zie afb. 12).
 - Plaats de cilinderdekplaat op de afstelplaat/aanzetplaat en draai de drie zeskantflensbouten zodanig erin dat een opening overblijft tussen de cilinder en de afstelplaat om het minischaafmes op zijn plaats te schuiven. Het minischaafmes wordt op zijn plaats gehouden door de schaafermes-positioneringslippen op de aanzetplaat.
 - Het afstellen van het minischaafmes in de lengterichting moet handmatig worden uitgevoerd zodat de uiteinden van het minischaafmes zichtbaar zijn en dezelfde afstand heeft tot de behuizing aan één kant en de metalen steun aan de andere kant.

(A) Voorzool (beweegbare schoen)

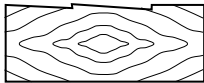
(B) Achterzool (vaste schoen)

Juiste afstelling



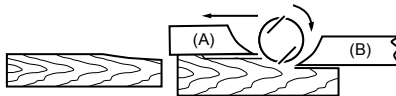
Ondanks dat het niet zichtbaar is op dit zijaanzicht, lopen de randen van de schaafermes perfect parallel aan de rand van de achterzool.

Inkepingen in het oppervlak



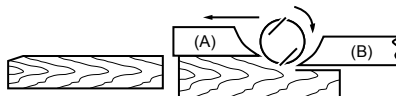
Oorzaak: Een of beide schaafermes loopt niet parallel aan de rand van de achterzool.

Uithollen aan het begin



Oorzaak: Een of beide schaafermes steekt niet ver genoeg uit ten opzichte van het achterzooloppervlak.

Uithollen aan het einde



Oorzaak: Een of beide schaafermes steekt te ver uit ten opzichte van het achterzooloppervlak.

EN0004-1

Stofzak (los verkrijgbaar) (zie afb. 13)

Voor een gereedschap zonder een mondstuk

Verwijder de schaaferlafdekking en breng het mondstuk (los verkrijgbaar) aan. Bevestig de stofzak op het mondstuk. Het mondstuk is taps. Bij het bevestigen van de stofzak, duwt u deze met kracht zo ver mogelijk op het mondstuk om te voorkomen dat deze tijdens gebruik los raakt.

Voor een gereedschap met een mondstuk

Bevestig de stofzak op het mondstuk. Het mondstuk is taps. Bij het bevestigen van de stofzak, duwt u deze met kracht zo ver mogelijk op het mondstuk om te voorkomen dat deze tijdens gebruik los raakt (zie afb. 14).

Wanneer de stofzak ongeveer halfvol is, haalt u de stofzak van het gereedschap af en trekt u de sluiting eraf. Gooi de inhoud in de stofzak weg en tik zacht tegen de stofzak zodat ook het stof dat tegen de binnenkant kleeft, en verdere afzuiging kan hinderen, eruit valt.

OPMERKING:

- Als u een Makita-stofzuiger aansluit op uw gereedschap, kunt u nog efficiënter en schoner werken.

Een stofzuiger aansluiten (zie afb. 15)

Voor een gereedschap zonder een mondstuk

Wanneer u tijdens het schaven schoon wilt werken, sluit u een Makita-stofzuiger aan op uw gereedschap. Voordat u de stofzuiger aansluit, verwijdert u de schaaferlafdekking vanaf het gereedschap. Sluit vervolgens de stofzuigerslang aan op het mondstuk (los verkrijgbaar), zoals aangegeven in de afbeelding.

Voor een gereedschap met een mondstuk

Wanneer u tijdens het schaven schoon wilt werken, sluit u een Makita-stofzuiger aan op uw gereedschap. Sluit vervolgens de stofzuigerslang aan op het mondstuk, zoals aangegeven in de afbeelding.

Kniestuk (los verkrijgbaar) (zie afb. 16)

Door een kniestuk te gebruiken kunt u de richting waarin de houtsnippers worden uitgeworpen veranderen om schoner te werken.

Voor een gereedschap zonder een mondstuk

Verwijder de schaafselafdekking en breng het mondstuk (los verkrijgbaar) aan. Bevestig het kniestuk (los verkrijgbaar) op het mondstuk van het gereedschap door het er eenvoudig op te duwen. Verwijder het door het er eenvoudig af te trekken.

Voor een gereedschap met een mondstuk

Bevestig het kniestuk (los verkrijgbaar) op het mondstuk van het gereedschap door het er eenvoudig op te duwen. Verwijder het door het er eenvoudig af te trekken.

Het mondstuk reinigen

Reinig het mondstuk regelmatig.

Gebruik perslucht om het verstopte mondstuk te reinigen.

BEDIENING

Houd het gereedschap stevig vast met één hand op de knop en de andere hand aan de schakelaarhandgreep tijdens het gebruik van het gereedschap.

Gebruik als schaaf (zie afb. 17)

Plaats eerst de voorzool van het gereedschap plat op het werkstuk zonder dat de schaafmessen ermee in aanraking komen. Schakel het gereedschap in en wacht totdat de schaafmessen op volle snelheid draaien.

Beweeg het gereedschap vervolgens voorzichtig naar voren. Oefen aan het begin van het schaven druk uit op de voorkant van het gereedschap en aan het einde van het schaven op de achterkant van het gereedschap. Het schaven gaat gemakkelijker als u het werkstuk iets aflopend opstelt zodat u iets 'bergafwaarts' schaaft. De snelheid en diepte van het schaven bepalen het eindresultaat. De schaaf blijft schaven op een snelheid die niet zal leiden tot verstopping met houtsnippers. Voor grof schaven kan de schaafdiepte groter zijn, maar voor een mooi resultaat moet u de schaafdiepte verkleinen en het gereedschap langzamer vooruit bewegen.

Rabatten (zie afb. 18)

Om een haakse verdieping aan te brengen, zoals aangegeven in de afbeelding, gebruikt u de randgeleider (liniaal), welke los verkrijgbaar is (zie afb. 19).

Teken een schaaflijn op het werkstuk. Steek de randgeleider in het gat aan de voorkant van het gereedschap. Lijn de rand van het schaaftmes uit met de schaaflijn (zie afb. 20).

Stel de randgeleider af totdat deze de zijkant van het werkstuk raakt, en zet deze daarna stevig vast door de schroef aan te draaien (zie afb. 21).

Beweeg tijdens het schaven het gereedschap met de randgeleider strak langs de zijkant van het werkstuk. Als dat niet doet, kan ongelijkmatig schaaftwerk het gevolg zijn.

De maximumdiepte bij rabatten is 9 mm (zie afb. 22).

U kunt de lengte van de randgeleider vergroten door er een stuk hout aan te bevestigen. Voor dit doel zijn reeds

gaten aangebracht in de randgeleider, en tevens voor het bevestigen van een verlengstuk (los verkrijgbaar).

Afschuinen (zie afb. 23 en 24)

Om een schuine kant te schaven zoals aangegeven in de afbeelding, lijnt u de "V"-groef in de voorzool uit met de hoek van het werkstuk en schaaft u het.

ONDERHOUD

⚠ LET OP:

- Zorg er altijd voor dat het gereedschap is uitgeschakeld en de accu is verwijderd, voordat u een inspectie of onderhoud uitvoert.
- Gebruik nooit benzine, wasbenzine, thinner, alcohol, enz. Dit kan leiden tot verkleuren, vervormen of barsten.

De schaafmessen slijpen

Aleen voor conventionele schaafmessen (zie afb. 25)

Zorg ervoor dat de messen altijd scherp zijn voor de beste prestaties. Gebruik de aanscherphouder (los verkrijgbaar) om inkepingen te verwijderen en een scherpe snede te maken (zie afb. 26).

Draai eerst de twee vliegeloemen op de houder los en steek de messen (A) en (B) erin zodat ze de zijkanten (C) en (D) raken. Draai tenslotte de moer stevig vast. (zie afb. 27).

Houd de wetsteen gedurende 2 of 3 minuten onder water alvorens te slijpen. Houd de houder zodanig vast dat beide messen de wetsteen raken om ze gelijktijdig te slijpen onder dezelfde hoek.

De koolborstels vervangen (zie afb. 28)

Verwijder en controleer de koolborstels regelmatig. Vervang deze wanneer ze tot aan de slijtgrensmarkering zijn afgesleten. Houd de koolborstels schoon en zorg ervoor dat ze vrij kunnen bewegen in de houders. Beide koolborstels dienen tegelijkertijd te worden vervangen. Gebruik alleen identieke koolborstels (zie afb. 29). Gebruik een schroevendraaier om de koolborsteldoppen te verwijderen. Haal de versleten koolborstels eruit, plaats de nieuwe erin, en zet de koolborsteldoppen goed vast. Om de VEILIGHEID en BETROUWBAARHEID van het gereedschap te handhaven, dienen alle reparaties, onderhoud en afstellingen te worden uitgevoerd door een erkend Makita-servicecentrum, en altijd met gebruikmaking van originele Makita-ervangingsonderdelen.

VERKRIJGBARE ACCESSOIRES

⚠ LET OP:

- Deze accessoires of hulpstukken worden aanbevolen voor gebruik met het Makita-gereedschap dat in deze gebruiksaanwijzing wordt beschreven. Het gebruik van andere accessoires of hulpstukken kan gevaar voor persoonlijk letsel opleveren. Gebruik de accessoires of hulpstukken uitsluitend voor de aangegeven gebruiksdoeleinden.

Mocht u meer informatie willen hebben over deze accessoires, dan kunt u contact opnemen met uw plaatselijke Makita-servicecentrum.

- Snelstalen schaaftmes
- Hardstalen schaaftmes (voor een langere levensduur)
- Minischaafmes
- Aanscherphouder
- Mesmeter
- Stel aanzetplaten
- Randgeleider (liniaal)
- Stel verlengstukken
- Wetsteen
- Mondstuk
- Stofzak
- Kniestuk
- Dopsleutel
- Kunststoffen draagdoos
- Diverse types originele Makita-accu's en -acculaders

gedurende welke het gereedschap is uitgeschakeld en stationair draait, naast de ingeschakelde tijdsduur).

EU-verklaring van conformiteit

Alleen voor Europese landen

De EU-verklaring van conformiteit is opgenomen als Bijlage A in deze instructiehandleiding.

OPMERKING:

- Sommige items op de lijst kunnen zijn inbegrepen in de doos van het gereedschap als standaard toebehoren. Zij kunnen van land tot land verschillen.

Geluid ENG905-1

De typische, A-gewogen geluidsniveaus zijn gemeten volgens EN62841-2-14:

Model DKP140

Geluidsdrukniveau (L_{pA}): 86 dB (A)

Geluidsvermogeniveau (L_{WA}): 97 dB (A)

Onzekerheid (K): 3 dB (A)

Model DKP180

Geluidsdrukniveau (L_{pA}): 87 dB (A)

Geluidsvermogeniveau (L_{WA}): 98 dB (A)

Onzekerheid (K): 3 dB (A)

Draag gehoorbescherming.

Trillingen ENG900-1

De totale trillingswaarde (triaxiale vectorsom) zoals vastgesteld volgens EN62841-2-14:

Model DKP140

Gebruikstoepassing: schaven van zachthout

Trillingsemisatie (a_h): 3,5 m/s²

Onzekerheid (K): 1,5 m/s²

Model DKP180

Gebruikstoepassing: schaven van zachthout

Trillingsemisatie (a_h): 4,5 m/s²

Onzekerheid (K): 1,5 m/s²

ENG901-1

- De opgegeven trillingsemisatie waarde is gemeten volgens de standaardtestmethode en kan worden gebruikt om dit gereedschap te vergelijken met andere gereedschappen.
- De opgegeven trillingsemisatie waarde kan ook worden gebruikt voor een beoordeling vooraf van de blootstelling.

WAARSCHUWING:

- De trillingsemisatie tijdens het gebruik van het elektrisch gereedschap in de praktijk kan verschillen van de opgegeven trillingsemisatie waarde afhankelijk van de manier waarop het gereedschap wordt gebruikt.
- Zorg ervoor dat veiligheidsmaatregelen worden getroffen ter bescherming van de operator die zijn gebaseerd op een schatting van de blootstelling onder praktijkomstandigheden (rekening houdend met alle fasen van de bedrijfscyclus, zoals de tijdsduur

ESPAÑOL (Instrucciones originales)

Descripción y visión general

- | | | |
|----------------------------|---|--|
| 1. Botón | 22. Borde interior de la placa del calibre | 37. Pernos de cabeza de arandela hexagonal |
| 2. Indicador rojo | 23. Borde de la cuchilla | 38. Boquilla |
| 3. Cartucho de batería | 24. Tornillos | 39. Bolsa colector de polvo |
| 4. Luces indicadoras | 25. Talón | 40. Cierre |
| 5. Botón de comprobación | 26. Parte posterior de la base de calibre | 41. Codo |
| 6. Marca de estrella | 27. Placa del calibre | 42. Principio |
| 7. Puntero | 28. Base de calibre | 43. Final |
| 8. Pomo | 29. Tornillo de cabezal giratorio | 44. Línea de corte |
| 9. Palanca de desbloqueo | 30. Lengüetas de posicionamiento de la cuchilla del cepillo | 45. Tornillo |
| 10. Interruptor disparador | 31. Talón de la placa de ajuste | 46. Tope de borde (accesorio opcional) |
| 11. Cuchilla del cepillo | 32. Placa de ajuste | 47. Soporte de afilado |
| 12. Base trasera | 33. Lado interior de la placa del calibre | 48. Tuerca de mariposa |
| 13. Pie | 34. Parte posterior de la base de calibre | 49. Cuchilla (A) |
| 14. Llave de tubo | 35. Cuchilla pequeña del cepillo | 50. Cuchilla (B) |
| 15. Perno | 36. Ranura | 51. Lado (D) |
| 16. Aflojar | | 52. Lado (C) |
| 17. Apretar | | 53. Marca de límite |
| 18. Pernos | | 54. Tapa del portaescobillas |
| 19. Tambor | | 55. Destornillador |
| 20. Cubierta del tambor | | |
| 21. Placa de ajuste | | |

ESPECIFICACIONES

Modelo	DKP140	DKP180
Anchura de cepillado	82 mm	
Profundidad de cepillado	1,6 mm	2 mm
Profundidad de galce	9 mm	
Velocidad en vacío (min ⁻¹)	15.000	
Longitud total	329 mm	333 mm
Peso neto	3,0 - 3,3 kg	3,2 - 3,5 kg
Tensión nominal	14,4 V CC	18 V CC

- Debido a nuestro programa continuo de investigación y desarrollo, las especificaciones aquí descritas están sujetas a cambios sin previo aviso.
- Las especificaciones pueden ser diferentes de un país a otro.
- El peso puede diferir en función de los accesorios, incluyendo el cartucho de la batería. En la tabla se muestran la combinación más ligera y la más pesada, de acuerdo con el Procedimiento EPTA 01/2014.

Cargador y cartucho de la batería aplicable

Cartucho de la batería	CC de 14,4V Modelo	BL1415N/BL1430/BL1430B/BL1440/BL1450/BL1460B
	CC de 18V Modelo	BL1815N/BL1820/BL1820B/BL1830/BL1830B/BL1840/BL1840B/BL1850/BL1850B/BL1860B
Cargador	DC18RC/DC18RD/DC18RE/DC18SD/DC18SE/DC18SF	

- Es posible que algunos de los cartuchos de la batería y los cargadores que se muestran más arriba no estén disponibles, en función de su región de residencia.

ADVERTENCIA:

- **Utilice solo los cartuchos de la batería y los cargadores que se muestran más arriba.** El uso de cualquier otro cartucho de la batería y otros cargadores puede crear un riesgo de lesiones y/o incendio.

Uso previsto

ENE001-1

La herramienta está diseñada para cepillar madera.

Advertencias de seguridad para herramientas eléctricas en general

GEA010-2

⚠ ADVERTENCIA: Lea todas las advertencias de seguridad, instrucciones, ilustraciones y especificaciones provistas con esta herramienta eléctrica. Si no sigue todas las instrucciones indicadas abajo podrá resultar en una descarga eléctrica, un incendio y/o heridas graves.

Guarde todas las advertencias e instrucciones para futuras referencias.

El término "herramienta eléctrica" en las advertencias se refiere a su herramienta eléctrica de funcionamiento con conexión a la red eléctrica (con cable) o herramienta eléctrica de funcionamiento a batería (sin cable).

ADVERTENCIAS DE SEGURIDAD PARA EL CEPILLO INALÁMBRICO

GEB168-1

1. **Espere hasta que el cortador se detenga antes de dejar la herramienta.** Un cortador expuesto girando puede entrar en contacto con la superficie dando lugar a la pérdida de control y heridas graves.
2. **Utilice mordazas u otros medios de sujeción prácticos para sujetar y apoyar la pieza de trabajo en una plataforma estable.** Sujetada con su mano o contra el cuerpo, la pieza de trabajo estará inestable y podrá dar lugar a la pérdida del control.
3. **Los trapos, ropa, cables, cuerdas y por el estilo no deberán ser dejados nunca alrededor del área de trabajo.**
4. **Evite cortar clavos.** Inspeccione la pieza de trabajo por si tiene clavos y retírelos todos antes de la operación.
5. **Utilice solamente cuchillas afiladas.** Maneje las cuchillas con mucho cuidado.
6. **Asegúrese de que los pernos de instalación de la cuchilla están apretados firmemente antes de la operación.**
7. **Sujete la herramienta firmemente con ambas manos.**
8. **Mantenga las manos alejadas de las partes giratorias.**
9. **Antes de utilizar la herramienta en un pieza de trabajo definitiva, déjela funcionar durante un rato.** Observe por si hay vibración o bamboleo que pueda indicar una mala instalación o un mal equilibrio de la cuchilla.
10. **Asegúrese de que la cuchilla no está tocando la pieza de trabajo antes de activar el interruptor.**
11. **Espere hasta que la cuchilla alcance plena velocidad antes de cortar.**
12. **Apague siempre la herramienta y espere hasta que las cuchillas se hayan parado completamente antes de hacer cualquier ajuste.**

13. **No meta nunca su dedo dentro del conducto de viruta.** El conducto puede atascarse cuando se corta madera húmeda. Limpie las virutas con un palo.
14. **No deje la herramienta en marcha.** Opere la herramienta solamente cuando la tenga en las manos.
15. **Cambie siempre ambas cuchillas o cubiertas del tambor, de lo contrario el desequilibrio resultante ocasionará vibración y acortará la vida útil de la herramienta.**
16. **Utilice solamente cuchillas Makita especificadas en este manual.**
17. **Utilice siempre la mascarilla contra el polvo/respirador correcto para el material y la aplicación con que esté trabajando.**

GUARDE ESTAS INSTRUCCIONES.

⚠ ADVERTENCIA: NO deje que la comodidad o familiaridad con el producto (a base de utilizarlo repetidamente) sustituya la estricta observancia de las normas de seguridad para el producto en cuestión.

El MAL USO o el no seguir las normas de seguridad establecidas en este manual de instrucciones podrá ocasionar graves heridas personales.

INSTRUCCIONES DE SEGURIDAD IMPORTANTES PARA EL CARTUCHO DE BATERÍA

ENC007-12

1. **Antes de utilizar el cartucho de la batería, lea todas las instrucciones y referencias de precaución que se encuentran en (1) el cargador de baterías, (2) la batería y (3) el producto que utiliza la batería.**
2. **No desmonte el cartucho de la batería.**
3. **Si el tiempo de funcionamiento es excesivamente corto, deje de utilizar la herramienta de inmediato.** De lo contrario, existe el riesgo de sobrecalentamiento, quemaduras e incluso explosión.
4. **Si se produce contacto ocular con electrolito, enjuáguese los ojos con agua limpia y acuda de urgencia al médico.** Corre el riesgo de perder la visión.
5. **No cortocircuite el cartucho de la batería:**
 - (1) **No toque los terminales con material conductor.**
 - (2) **Evite guardar el cartucho de la batería en un recipiente con otros objetos metálicos, como clavos, monedas, etc.**
 - (3) **No exponga el cartucho de la batería al agua o a la lluvia.**

Un cortocircuito puede provocar un elevado flujo de corriente, sobrecalentamiento, quemaduras o incluso una avería.

6. **No almacene la herramienta ni el cartucho de la batería en lugares donde la temperatura supere los 50 °C (122 °F).**

7. **No queme el cartucho de la batería aunque esté gravemente dañado o completamente gastado. El cartucho de la batería puede explotar si entra en contacto con fuego.**
8. **Procure que la batería no sufra golpes ni caídas.**
9. **No utilice una batería dañada.**
10. **Las baterías de litio-ion contenidas están sujetas a los requisitos de la Legislación para Materiales Peligrosos.**

Para transportes comerciales, p.ej., por terceras personas y agentes de transportes, se deberán observar requisitos especiales para el empaquetado y etiquetado.

Para la preparación del artículo que se va a enviar, se requiere consultar con un experto en materiales peligrosos. Por favor, observe también la posibilidad de reglamentos nacionales más detallados.

Cubra con cinta aislante o enmascare los contactos expuestos y empaquete la batería de tal manera que no se pueda mover alrededor dentro del embalaje.

11. **Siga las normativas locales relativas al desecho de la batería.**
12. **Utilice las baterías solo con los productos especificados por Makita.** La instalación de las baterías en productos no compatibles puede provocar un incendio, un calor excesivo, una explosión o fuga de electrolitos.

GUARDE ESTAS INSTRUCCIONES.

⚠ PRECAUCIÓN: Utilice solamente baterías genuinas de Makita.

La utilización de baterías no genuinas de Makita, o baterías que han sido alteradas, puede resultar en una explosión de la batería ocasionando incendios, heridas personales y daños. También anulará la garantía de Makita para la herramienta y el cargador de Makita.

Consejos para conseguir una mayor duración de la batería

1. **Cargue la batería antes de que se descargue por completo.**
Cuando observe que la herramienta tiene menos potencia, deje de utilizarla y cargue el cartucho de la batería.
2. **No recargue nunca un cartucho de batería completamente cargado.**
La sobrecarga acorta la vida útil de la batería.
3. **Cargue el cartucho de la batería a una temperatura ambiente que oscile entre 10 °C y 40 °C (50 °F - 104 °F).** Antes de cargar un cartucho de batería caliente, deje que se enfríe.
4. **Cargue el cartucho de la batería si no lo ha utilizado durante un periodo prolongado (más de seis meses).**

DESCRIPCIÓN DEL FUNCIONAMIENTO

⚠ PRECAUCIÓN:

- Antes de ajustar o de comprobar la herramienta, asegúrese siempre de que está apagada y de que la batería ha sido extraída.

Instalación o extracción del cartucho de la batería (Fig. 1)

- Apague siempre la herramienta antes de instalar o quitar el cartucho de la batería.
- Para quitar el cartucho de la batería, mantenga pulsado el botón de la parte frontal del cartucho y retírelo.
- Para instalar el cartucho de la batería, alinee la lengüeta situada en el cartucho de la batería con la ranura del alojamiento e insértela. Insértela completamente hasta que quede firmemente sujeta y se bloquee con un clic. Si puede ver el indicador rojo de la zona superior del botón, significa que el cartucho no está completamente bloqueado. Instálelo completamente hasta que el indicador rojo quede oculto. De lo contrario, el cartucho puede desprenderse accidentalmente de la herramienta y causar lesiones al operario o a alguna persona que se encuentre cerca.
- No haga fuerza al instalar el cartucho de la batería. Si no se inserta suavemente, significa que no lo está instalando correctamente.

Indicación de la capacidad restante de la batería

Solamente para cartuchos de batería con el indicador (Fig. 2)

Presione el botón de comprobación en el cartucho de batería para indicar la capacidad de batería restante. Las luces indicadoras se encienden durante unos segundos.

Luces indicadoras			Capacidad restante
Iluminada	Apagado	Parpadea	
■	□	◐	75% a 100%
■	■	□	50% a 75%
■	□	□	25% a 50%
■	□	□	0% a 25%
◐	□	□	Cargue la batería.
■	■	□	Es posible que la batería se haya averiado.
□	□	■	

NOTA:

- En función de las condiciones de uso y de la temperatura ambiente, la indicación puede diferir ligeramente de la capacidad real.

Sistema de protección de la batería (cartucho de batería con una marca de estrella) (Fig. 3)

El cartucho de batería con una marca de estrella está equipado con un sistema de protección que, automáticamente, corta la alimentación para prolongar su vida útil.

La herramienta se detiene durante el funcionamiento si la herramienta y/o la batería se someten al siguiente estado. Esto se debe a la activación del sistema de protección y no indica ningún problema de la herramienta.

- Cuando la herramienta está sobrecargada:
Suelte el interruptor disparador, retire el cartucho de batería y elimine las causas de la sobrecarga. A continuación, vuelva a accionar el interruptor disparador para volver a ponerla en marcha.
- Cuando las celdas de la batería se calienten:
Aunque se accione el interruptor disparador, el motor permanecerá detenido. En ese caso, deje de utilizar la herramienta y refrigere o cargue el cartucho de la batería tras extraerlo de la herramienta.
- Cuando la capacidad restante de la batería sea baja:
Aunque se accione el interruptor disparador, el motor permanecerá detenido. En ese caso, extraiga el cartucho de la batería de la herramienta y cárguelo.

Ajuste de la profundidad de corte (Fig. 4)

La profundidad de corte se puede ajustar con sólo girar el pomo de la parte delantera de la herramienta de forma que el puntero señale la profundidad de corte deseada.

Accionamiento del interruptor (Fig. 5)

⚠ PRECAUCIÓN:

- Antes de instalar el cartucho de la batería en la herramienta, asegúrese siempre de que el interruptor disparador funciona como es debido y que vuelve a la posición "OFF" (apagado) al soltarlo.
- No tire con fuerza del interruptor del disparador sin presionar la palanca de desbloqueo. Podría romper el interruptor.

Para evitar que el disparador del interruptor se accione accidentalmente se proporciona una palanca de bloqueo. Para poner en marcha la herramienta, deslice la palanca de desbloqueo y tire del disparador del interruptor. Suelte el interruptor disparador para detener la herramienta.

⚠ ADVERTENCIA:

- Por su seguridad, esta herramienta está equipada con una palanca de bloqueo que impide que la herramienta se ponga en marcha de forma accidental. NUNCA utilice la herramienta si funciona simplemente pulsando el disparador sin presionar la palanca de desbloqueo. Devuelva la herramienta a un centro de asistencia técnica de MAKITA ANTES de continuar utilizándola.
- NUNCA fije con cinta adhesiva ni impida el funcionamiento ni la finalidad de la palanca de bloqueo.

Pie (Fig. 6)

Tras realizar una operación de corte, levante la parte posterior de la herramienta para que aparezca un pie bajo el nivel de la base posterior. De esta forma se evita que se dañen las cuchillas de la herramienta.

MONTAJE

⚠ PRECAUCIÓN:

- Asegúrese siempre de apagar la herramienta y extraer el cartucho de la batería antes de intentar realizar cualquier tipo de operación en la herramienta.

Extracción o instalación de las cuchillas del cepillo

⚠ PRECAUCIÓN:

- Apriete los pernos de montaje de las cuchillas con cuidado cuando coloque las cuchillas en la herramienta. Un perno de montaje suelto puede ser peligroso. Compruebe siempre si están apretados firmemente.
- Manipule las cuchillas con mucho cuidado. Utilice guantes o trapos para proteger sus dedos o manos cuando retire o monte las cuchillas.
- Utilice sólo la llave de Makita para instalar o extraer las cuchillas. De lo contrario, podría apretar demasiado o de forma insuficiente los pernos de montaje y provocar lesiones.

Para la herramienta con cuchillas de cepillado convencionales (Fig. 7 - 9)

Para extraer las cuchillas del tambor, desatornille los pernos de montaje con la llave de cubo. La cubierta del tambor se soltará con las cuchillas.

Para montar las cuchillas, primero limpie todas las virutas o materias extrañas que estén adheridas al tambor o a las cuchillas. Utilice cuchillas de iguales dimensiones y peso o el tambor oscilará/vibrará, lo que provocará pobres resultados de cepillado y, en última instancia, la avería de la herramienta.

Coloque la cuchilla en la base del calibre para que el borde de la cuchilla esté perfectamente asentado en el borde interior de la placa del calibre. Coloque la placa de ajuste en la cuchilla y después presione el talón de la placa de ajuste asentada sobre el lado posterior de la base del calibre con dos tornillos en la placa de ajuste. Ahora deslice el talón de la placa de ajuste en la ranura del tambor y después encaje la cubierta del tambor en él. Apriete todos los pernos de montaje uniformemente y de forma alternativa con la llave de tubo.

Repita los procedimientos anteriores para la otra cuchilla.

Para la herramienta con cuchillas de cepillado pequeñas (Fig. 10)

1. Si la herramienta se ha utilizado, extraiga la cuchilla existente, y limpie con cuidado las superficies del tambor y la cubierta del tambor. Para extraer las cuchillas del tambor, desatornille los tres pernos de montaje con la llave de cubo. La cubierta del tambor se soltará con las cuchillas. (Fig. 11)
2. Para montar las cuchillas, coloque de forma holgada la placa de ajuste en la placa de posicionamiento con los tornillos de cabezal giratorio y fije la cuchilla pequeña del cepillo en la base del calibre para que el

borde de corte de la cuchilla se asiente perfectamente con el lado interior de la placa del calibre.

3. Coloque la placa de ajuste/placa de posicionamiento en la base del calibre para que las lengüetas de posicionamiento de la cuchilla del cepillo en la placa de posicionamiento descansen sobre la ranura de la cuchilla pequeña del cepillo y, a continuación, presione el talón de la placa de ajuste con la parte posterior de la base del calibre y apriete los tornillos de cabezal giratorio.
4. Es importante que la cuchilla se asiente completamente en el lado interior de la placa del calibre, que las lengüetas de posicionamiento de la cuchilla se asienten en la ranura de la cuchilla y que el talón de la placa de ajuste esté asentado en la parte posterior de la base del calibre. Compruebe esta alineación cuidadosamente para garantizar un corte uniforme.
5. Deslice el talón de la placa de ajuste en la ranura del tambor. (Fig. 12)
6. Coloque la cubierta del tambor sobre la placa de ajuste/placa de posicionamiento y atornille los tres pernos de cabeza de arandela hexagonales de forma que haya un espacio entre el tambor y la placa de

posicionamiento para deslizar la cuchilla pequeña del cepillo hasta su posición. La cuchilla será colocada por las lengüetas de posicionamiento de la cuchilla del cepillo en la placa de posicionamiento.

7. El ajuste longitudinal de la cuchilla deberá realizarse manualmente para que los extremos de la cuchilla estén limpios y equidistantes del alojamiento en un lado y del soporte metálico en el otro.
8. Apriete los tres pernos de cabeza de arandela hexagonal (con la llave de tubo proporcionada) y gire el tambor para comprobar las holguras entre los extremos de la cuchilla y el cuerpo de la herramienta.
9. Compruebe que los tres pernos de cabeza de arandela hexagonal estén bien apretados.
10. Repita los procedimientos 1 - 9 para la otra cuchilla.

Para el correcto ajuste de la cuchilla del cepillo

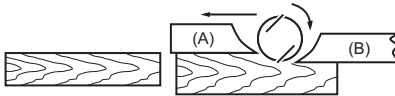
La superficie de cepillado tendrá un acabado rugoso y desigual, a menos que la cuchilla se coloque de forma correcta y fija. La cuchilla debe montarse de modo que el borde de corte esté absolutamente nivelado, es decir, paralelo a la superficie de la base posterior.

A continuación se muestran algunos ejemplos de ajustes correctos e incorrectos.

(A) Base delantera (zapata móvil)

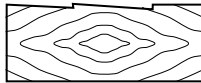
(B) Base trasera (zapata fija)

Ajuste correcto



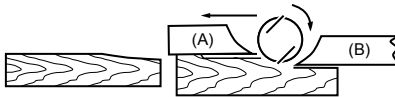
Aunque esta vista lateral no puede mostrarlo, los bordes de las cuchillas están perfectamente paralelos a la superficie de la base posterior.

Muestras en la superficie



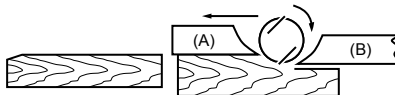
Causa: Una o ambas cuchillas no tienen bordes paralelos a la línea de base posterior.

Ranurado al principio



Causa: Uno o ambos bordes no sobresalen lo suficiente en relación con la línea de base posterior.

Ranurado al final



Causa: Uno o ambos bordes sobresalen demasiado en relación con la línea de base posterior.

EN0004-1

Bolsa colectora de polvo (accesorio) (Fig. 13)

Para la herramienta sin boquilla

Retire la cubierta de virutas e instale la boquilla (accesorio opcional). Acople la bolsa colectora de polvo a la boquilla. La boquilla tiene forma de cuña. Cuando acople la bolsa colectora de polvo, empújela hasta el fondo de la boquilla para evitar que se desprenda durante el funcionamiento de la herramienta.

Para la herramienta con boquilla

Acople la bolsa colectora de polvo a la boquilla. La boquilla tiene forma de cuña. Cuando acople la bolsa

colectora de polvo, empújela hasta el fondo de la boquilla para evitar que se desprenda durante el funcionamiento de la herramienta. (Fig. 14)

Cuando la bolsa de polvo esté medio llena, quítela de la herramienta y extraiga el cierre. Vacíe la bolsa de polvo golpeándola ligeramente para retirar las partículas adheridas en el interior para que no impidan la posterior recogida de polvo.

NOTA:

- Si conecta un aspirador Makita a esta herramienta se puede lograr un rendimiento más eficaz y un funcionamiento más limpio.

Conexión de un aspirador (Fig. 15)

Para la herramienta sin boquilla

Si desea realizar una operación de cepillado limpio, conecte un aspirador Makita a la herramienta. Antes de conectar el aspirador, retire la cubierta de virutas de la herramienta. A continuación, conecte una manguera de la aspiradora a la boquilla (accesorio opcional) como se muestra en la figura.

Para la herramienta con boquilla

Si desea realizar una operación de cepillado limpio, conecte un aspirador Makita a la herramienta. A continuación, conecte una manguera de la aspiradora a la boquilla como se muestra en las figuras.

Codo (accesorio opcional) (Fig. 16)

El uso de un codo permite cambiar la dirección de descarga de virutas para trabajar con mayor limpieza.

Para la herramienta sin boquilla

Retire la cubierta de virutas e instale la boquilla (accesorio opcional). Instale el codo (accesorio opcional) en la herramienta haciendo que resbale sobre ella. Para extraerlo, tire de él.

Para la herramienta con boquilla

Instale el codo (accesorio opcional) en la herramienta haciendo que resbale sobre ella. Para extraerlo, tire de él.

Limpieza de la boquilla

Limpie la boquilla periódicamente.

Limpie la boquilla obstruida con aire comprimido.

FUNCIONAMIENTO

Sujete firmemente el pomo de la herramienta con una mano y ponga la otra mano en la empuñadura del interruptor para utilizar la herramienta.

Operación de cepillado (Fig. 17)

En primer lugar deje descansar la base delantera de la herramienta plana sobre la superficie de la pieza de trabajo sin que las cuchillas tengan ningún contacto. Encienda y espere hasta que las cuchillas alcancen la velocidad completa. Mueva la herramienta suavemente hacia delante. Ejercer presión en la parte delantera de la herramienta al principio del cepillado y en la parte posterior al final del cepillado. El cepillado será más fácil si inclina la pieza de trabajo de forma fija, para que pueda deslizarse por una ligera pendiente.

La velocidad y la profundidad de corte determinan el tipo de acabado. El cepillo eléctrico sigue cortando a una velocidad que no provoca un atasco por virutas. Se puede aumentar la profundidad de corte para cortes rugosos, mientras que para un buen acabado debe reducirse la profundidad de corte y se debe avanzar más lentamente.

Galce (Rebajado) (Fig. 18)

Para realizar un corte por pasos como se muestra en la figura, utilice el tope de borde (regla de guía), que se obtiene como accesorio. (Fig. 19)

Trace una línea de corte en la pieza de trabajo. Inserte el tope de borde en el orificio en la parte delantera de la

herramienta. Alinee el borde de la cuchilla con la línea de corte. (Fig. 20)

Ajuste el tope de borde hasta que entre en contacto con el lateral de la pieza de trabajo y fíjela apretando el tornillo. (Fig. 21)

Cuando realice un cepillado, mueva la herramienta con el tope de borde bien asentado en el lateral de la pieza de trabajo. De lo contrario, el cepillado puede ser desigual. La profundidad de galce máxima (rebajado) es de 9 mm. (Fig. 22)

Quizás desea aumentar la longitud del tope colocando una pieza de madera adicional. Se proporcionan unos cómodos orificios en el borde con este propósito, así como para acoplar una guía de extensión (accesorio opcional).

Achaflanado (Fig. 23 y 24)

Para realizar un corte de achaflanado como se muestra en la figura, alinee la ranura "V" en la base delantera con el borde de la pieza de trabajo y cepíllela.

MANTENIMIENTO

⚠ PRECAUCIÓN:

- Asegúrese de apagar siempre la herramienta y extraer el cartucho de la batería antes de intentar realizar cualquier trabajo de inspección o mantenimiento en ella.
- Nunca utilice gasolina, benceno, disolvente, alcohol o un producto similar. Se puede provocar una decoloración, una deformación o grietas.

Afilado de las cuchillas del cepillo

Solamente para cuchillas convencionales (Fig. 25)

Mantenga siempre las cuchillas afiladas para el mejor rendimiento posible. Utilice el soporte de afilado (accesorio opcional) para eliminar muescas y lograr un borde fino. (Fig. 26)

Primero afloje las dos tuercas de mariposa en el soporte e inserte las cuchillas (A) y (B), para que entren en contacto con los lados (C) y (D). A continuación, apriete las tuercas de mariposa. (Fig. 27)

Sumerja la piedra de afilado en agua durante 2 ó 3 minutos antes del afilado. Sujete el soporte para que ambas cuchillas entren en contacto con la piedra de afilado para el afilado simultáneo en el mismo ángulo.

Sustitución de las escobillas de carbón (Fig. 28)

Extraiga y compruebe periódicamente las escobillas de carbón. Cámbielas cuando el desgaste alcance la marca de límite. Mantenga las escobillas de carbón limpias y de forma que entren libremente en el portaescobillas. Ambas escobillas de carbón deberán ser sustituidas al mismo tiempo. Utilice únicamente escobillas de carbón idénticas. (Fig. 29)

Utilice un destornillador para extraer las tapas de los portaescobillas. Extraiga las escobillas de carbón gastadas, inserte las nuevas y vuelva a fijar los tapones portaescobillas.

Para mantener la SEGURIDAD y la FIABILIDAD del producto, las reparaciones y cualquier otra tarea de mantenimiento o ajuste deberán ser realizadas en centros

de servicio autorizados por Makita, utilizando siempre repuestos Makita.

ENG901-1

ACCESORIOS OPCIONALES

PRECAUCIÓN:

- Se recomienda el uso de estos accesorios o complementos con la herramienta Makita especificada en este manual. El uso de otros accesorios o complementos puede conllevar el riesgo de ocasionar daños corporales. Utilice los accesorios o complementos solamente para su fin establecido.

Si necesita cualquier ayuda para obtener más información relativa a estos accesorios, pregunte a su centro de servicio Makita local.

- Cuchilla de cepillo fabricada de acero de corte rápido
- Cuchilla de cepillo de carburo de tungsteno (para prolongar la vida de la cuchilla)
- Cuchilla pequeña del cepillo
- Conjunto de soporte de afilado
- Calibre de cuchilla
- Conjunto de placa de posicionamiento
- Tope de borde (regla de guía)
- Conjunto de guía de extensión
- Piedra de afilado
- Boquilla
- Conjunto de bolsa colectora de polvo
- Codo
- Llave de tubo
- Maletín de plástico para el transporte
- Diversos tipos de baterías y cargadores originales de Makita

NOTA:

- Algunos elementos de la lista se pueden incluir en el paquete de la herramienta como accesorios estándar. Pueden ser diferentes de un país a otro.

Ruido

ENG905-1

Niveles típicos de ruido ponderado A determinados conforme a EN62841-2-14:

Modelo DKP140

Nivel de presión de sonido (L_{pA}): 86 dB (A)
Nivel de potencia de sonido (L_{WA}): 97 dB (A)
Incertidumbre (K): 3 dB (A)

Modelo DKP180

Nivel de presión de sonido (L_{pA}): 87 dB (A)
Nivel de potencia de sonido (L_{WA}): 98 dB (A)
Incertidumbre (K): 3 dB (A)

Utilice protección para los oídos.

Vibración

ENG900-1

Valor total de la vibración (suma de vectores triaxiales) determinado según el estándar EN62841-2-14:

Modelo DKP140

Modo de trabajo: cepillado de madera blanda
Emisión de vibraciones (a_h): 3,5 m/s²
Incertidumbre (K): 1,5 m/s²

Modelo DKP180

Modo de trabajo: cepillado de madera blanda
Emisión de vibraciones (a_h): 4,5 m/s²
Incertidumbre (K): 1,5 m/s²

- El valor de emisión de vibraciones se ha medido de acuerdo con el método de prueba estándar y se puede utilizar para comparar herramientas.
- El valor de emisión de vibraciones declarado también se puede usar en una evaluación preliminar de la exposición.

ADVERTENCIA:

- La emisión de vibraciones durante el uso de la herramienta eléctrica puede diferir del valor de emisiones declarado, dependiendo de las formas en que se utiliza la herramienta.
- Asegúrese de identificar las mediciones correctas para proteger al operario, que se basan en una estimación de la exposición en condiciones de uso reales (teniendo en cuenta todas las partes del ciclo de operaciones, como los momentos en los que la herramienta está apagada y cuando funciona al ralentí además del tiempo en que está activado el interruptor).

Declaración de conformidad de la CE

Sólo para países europeos

La Declaración de conformidad de la CE se incluye como Anexo A en este manual de instrucciones.

PORTUGUÊS (Instruções de origem)

Explicação da vista geral

- | | | |
|-------------------------|---|---|
| 1. Botão | 22. Extremidade interior da chapa de medição | 38. Bocal |
| 2. Indicador vermelho | 23. Extremidade da lâmina | 39. Saco de pó |
| 3. Bateria | 24. Parafusos | 40. Atilho |
| 4. Lâmpadas indicadoras | 25. Calcanhar | 41. Cotovelo |
| 5. Botão de verificação | 26. Lado posterior da base de medição | 42. Início |
| 6. Marca de estrela | 27. Chapa de medição | 43. Fim |
| 7. Apontador | 28. Base de medição | 44. Linha de corte |
| 8. Manipulo | 29. Parafuso de cabeça côncava | 45. Parafuso |
| 9. Alavanca de bloqueio | 30. Engates de posicionamento da lâmina da plaina | 46. Vedação para escarificação (acessório opcional) |
| 10. Gatilho | 31. Calcanhar da chapa de ajuste | 47. Suporte de afiamento |
| 11. Lâmina da plaina | 32. Chapa de acerto | 48. Porca de orelhas |
| 12. Base traseira | 33. Flanco interior da chapa de medição | 49. Lâmina (A) |
| 13. Pé | 34. Lado posterior da base de medição | 50. Lâmina (B) |
| 14. Chave de bocas | 35. Lâmina da mini-plaina | 51. Lado (D) |
| 15. Parafuso | 36. Ranhura | 52. Lado (C) |
| 16. Soltar | 37. Parafusos de flange sextavados | 53. Marca de limite |
| 17. Apertar | | 54. Tampa do porta-escovas |
| 18. Parafusos | | 55. Chave de fendas |
| 19. Tambor | | |
| 20. Tampa do tambor | | |
| 21. Chapa de ajuste | | |

ESPECIFICAÇÕES

Modelo	DKP140	DKP180
Largura de plainagem	82 mm	
Profundidade de plainagem	1,6 mm	2 mm
Profundidade de encaixe flutuante	9 mm	
Sem velocidade de rotação em carga (min ⁻¹)	15.000	
Comprimento total	329 mm	333 mm
Peso líquido	3,0 - 3,3 kg	3,2 - 3,5 kg
Tensão nominal	C.C. 14,4 V	C.C. 18 V

- Devido à pesquisa e desenvolvimento constantes, estas especificações estão sujeitas a alteração sem aviso prévio.
- Estas especificações podem diferir de país para país.
- O peso pode variar dependendo do(s) acessório(s), incluindo a bateria. A combinação mais leve e a mais pesada, de acordo com o procedimento EPTA 01/2014, são apresentadas na tabela.

Bateria e carregador aplicáveis

Bateria	D.C. 14,4V Modelo	BL1415N/BL1430/BL1430B/BL1440/BL1450/BL1460B
	D.C. 18V Modelo	BL1815N/BL1820/BL1820B/BL1830/BL1830B/BL1840/BL1840B/BL1850/BL1850B/BL1860B
Carregador		DC18RC/DC18RD/DC18RE/DC18SD/DC18SE/DC18SF

- Algumas baterias e carregadores indicados acima podem não estar disponíveis consoante a região de residência.

AVISO:

- **Utilize apenas os tipos de bateria e carregador indicados acima.** A utilização de qualquer outra bateria ou carregador pode criar um risco de ferimentos e/ou incêndios.


Utilização destinada

A ferramenta destina-se a plainar madeira.

ENE001-1

Avisos gerais de segurança para ferramentas elétricas

GEA010-2

 **AVISO: Leia todos os avisos de segurança, instruções, ilustrações e especificações fornecidos com esta ferramenta elétrica.** O não cumprimento de

todas as instruções indicadas em baixo pode resultar em choque elétrico, incêndio e/ou ferimentos graves.

Guarde todos os avisos e instruções para futuras referências.

O termo “ferramenta elétrica” nos avisos refere-se às ferramentas elétricas ligadas à corrente elétrica (com cabo) ou às ferramentas elétricas operadas por meio de bateria (sem cabo).

AVISOS DE SEGURANÇA DA PLAINA A BATERIA

GEB168-1

1. **Aguarde que o cortador pare antes de colocar a ferramenta em baixo.** Um cortador rotativo exposto pode prender na superfície levando a possível perda de controlo e a ferimentos graves.
2. **Utilize braçadeiras ou outra forma prática de fixar e suportar a peça de trabalho numa plataforma estável.** Segurar a peça de trabalho com a mão ou contra o corpo deixa-a instável e pode levar a perda de controlo.
3. **Os trapos, panos, cabos, cordas e outros semelhantes não devem ser deixados junto da área de trabalho.**
4. **Evite cortar pregos.** Inspeccione e remova todos os pregos da peça de trabalho antes da operação.
5. **Utilize apenas lâminas afiadas.** Manuseie as lâminas com extremo cuidado.
6. **Certifique-se de que os pernos de instalação da lâmina estão bem apertados antes da operação.**
7. **Segure a ferramenta firmemente com as duas mãos.**
8. **Mantenha as mãos afastadas das peças rotativas.**
9. **Antes de utilizar a ferramenta numa peça de trabalho real, deixe-a a funcionar durante algum tempo.** Verifique se existem vibrações ou movimentos irregulares que possam indicar má instalação ou uma lâmina mal equilibrada.
10. **Certifique-se de que a lâmina não está em contacto com a peça de trabalho antes de o interruptor ser ligado.**
11. **Aguarde até a lâmina atingir a velocidade máxima antes de cortar.**
12. **Desligue sempre e espere que as lâminas parem completamente antes de ajustar.**
13. **Nunca leve o seu dedo até ao separador de aparas.** O separador pode encravar quando cortar madeira húmida. Limpe as aparas com um pau.
14. **Não deixe a ferramenta a funcionar.** Opere a ferramenta apenas quando a tiver nas mãos.
15. **Mude sempre as duas lâminas ou tampas no tambor, caso contrário o desequilíbrio resultante provocará vibrações e uma menor vida útil da ferramenta.**
16. **Utilize apenas lâminas Makita especificadas neste manual.**
17. **Utilize sempre a máscara contra o pó/respirador correto relativamente ao material e à aplicação em que está a trabalhar.**

GUARDE ESTAS INSTRUÇÕES.



AVISO:

NÃO permita que o conforto ou a familiaridade com o produto (adquirido com o uso repetido) substitua a adesão estrita às regras de segurança da ferramenta. A MÁ INTERPRETAÇÃO ou o não seguimento das regras de segurança estabelecidas neste manual de instruções pode causar danos pessoais graves.

INSTRUÇÕES DE SEGURANÇA IMPORTANTES PARA A BATERIA

ENC007-12

1. **Antes de utilizar a bateria, leias as instruções e chamadas de atenção sobre: (1) o carregador da bateria, (2) a bateria e (3) o produto que utiliza a bateria.**
2. **Não desmonte a bateria.**
3. **Se o tempo de utilização com a bateria se tornar demasiado curto, deve parar imediatamente. Se continuar, pode causar sobreaquecimento, incêndio e mesmo explosão.**
4. **Se o electrólito entrar em contacto com os olhos, enxágue-os com água limpa e consulte imediatamente um médico. Os riscos incluem perda de visão.**
5. **Não provoque um curto-circuito na bateria:**
 - (1) **Não deixe que quaisquer materiais condutores entrem em contacto com os terminais da bateria.**
 - (2) **Evite guardar a bateria juntamente com outros objectos de metal como pregos, moedas, etc.**
 - (3) **Não exponha a bateria a água ou chuva. Um curto-circuito na bateria pode criar uma grande carga eléctrica, sobreaquecimento, possíveis queimaduras e mesmo uma avaria.**
6. **Não guarde a ferramenta e a bateria em locais onde a temperatura possa atingir ou exceder 50°C (122°F).**
7. **Não incinere a bateria, nem mesmo se esta estiver irremediavelmente danificada ou completamente gasta. Pode explodir num incêndio.**
8. **Não a deixe cair e evite o choque com outros objectos.**
9. **Não utilize uma bateria danificada.**
10. **As baterias de iões de lítio contidas na ferramenta são sujeitas aos requisitos da DGL (Dangerous Goods Legislation - Legislação de bens perigosos).**

Para o transporte comercial, por exemplo, por terceiros ou agentes de expedição, têm de ser observados os requisitos referentes à embalagem e etiquetagem.

Para preparação do artigo a ser expedido, é necessário consultar um perito em materiais perigosos. Tenha ainda em conta a possibilidade de existirem regulamentos nacionais mais detalhados. Coloque fita-cola ou tape os contactos abertos e embale a bateria de tal forma que não possa mover-se dentro da embalagem.
11. **Siga os regulamentos locais relacionados com a eliminação da bateria.**

12. Use as baterias apenas com os produtos especificados pela Makita. A instalação de baterias em produtos que não estão em conformidade pode resultar num incêndio, calor excessivo, explosão ou fuga de eletrólito.

GUARDE ESTAS INSTRUÇÕES.

⚠ PRECAUÇÃO: Utilize apenas baterias genuínas da Makita.

A utilização de baterias não genuínas da Makita ou de baterias que foram alteradas, pode resultar no reventamento da bateria provocando incêndios, ferimentos pessoais e danos. Além disso, anulará da garantia da Makita no que se refere à ferramenta e ao carregador Makita.

Sugestões para o máximo de tempo de vida da bateria

1. Não espere que a bateria se gaste completamente para voltar a carregá-la. Pare a ferramenta e carregue a bateria sempre que detectar um baixo nível de energia.
2. Nunca volte a carregar uma bateria já completamente carregada. O carregamento excessivo diminui o tempo de vida das baterias.
3. Carregue a bateria em locais onde a temperatura se situe entre 10°C e 40°C (50°F - 104°F). Se a bateria estiver quente, deixe-a arrefecer antes de iniciar o carregamento.
4. Carregue a bateria em caso de inatividade durante um longo período de tempo (mais de seis meses).

DESCRIÇÃO DO FUNCIONAMENTO

⚠ PRECAUÇÃO:
















- Certifique-se sempre de que a ferramenta está desligada e que a bateria foi removida antes de proceder a ajustes ou testar acessórios.

Instalar ou retirar a bateria (Fig. 1)

- Desligue sempre a ferramenta antes de colocar ou remover a bateria.
- Para retirar a bateria, retire-a premido o botão na frente da bateria e puxe.
- Para colocar a bateria, alinhe a respectiva saliência com a calha do compartimento e encaixe-a suavemente. Insira-a completamente até fixar em posição com um clique. Se ainda estiver visível o indicador vermelho na parte superior do botão, não estará bem encaixado. Coloque-a completamente, até deixar de ver o indicador vermelho. Caso contrário, pode cair da ferramenta e causar ferimentos em si, ou em alguém que esteja perto de si.
- Não exerça força ao colocar a bateria. Se não encaixar facilmente é porque não está correctamente posicionada.

Indicar a carga restante da bateria Apenas para baterias com indicador (Fig. 2)

Prima o botão de verificação na bateria para indicar a capacidade restante da bateria. As luzes indicadoras acendem durante alguns segundos.

Lâmpadas indicadoras			Carga restante
 Acesa	 Apagada	 Intermitente	
			75% a 100%
			50% a 75%
			25% a 50%
			0% a 25%
			Carregue a bateria.
			A bateria pode ter avariado.

NOTA:

- Consoante as condições de utilização e a temperatura ambiente, a indicação pode ser ligeiramente diferente da carga real.

Sistema de protecção da bateria (bateria com uma marca de estrela) (Fig. 3)

A bateria com uma marca de estrela está equipada com um sistema de protecção, que desliga automaticamente a alimentação, aumentando a vida útil.

A ferramenta pára durante o funcionamento quando a ferramenta e/ou bateria são colocados sob as situações seguintes. Tal é causado pela activação do sistema de protecção e não constitui uma avaria da ferramenta.

- Quando a ferramenta estiver sobrecarregada: Solte o gatilho, retire a bateria e elimine a origem da sobrecarga e puxe novamente o gatilho para reiniciar.
- Quando as células da bateria aquecem: Se o gatilho for accionado, o motor permanece parado. Nesta altura, pare a utilização da ferramenta e arrefeça ou carregue a bateria depois de a retirar da ferramenta.
- Quando a capacidade restante da bateria ficar fraca: Se o gatilho for accionado, o motor permanece parado. Nesta altura, retire a bateria da ferramenta e carregue-a.

Ajustar a profundidade de corte (Fig. 4)

A profundidade de corte poderá ser ajustada rodando o manípulo na frente da ferramenta, para que o ponteiro aponte para a profundidade de cor pretendida.

Acção do interruptor (Fig. 5)

⚠ PRECAUÇÃO:

- Antes de colocar a bateria na ferramenta, verifique se o gatilho está a funcionar correctamente e se regressa à posição "OFF" quando o solta.

- Não puxe com força o gatilho sem pressionar a alavanca de bloqueio. Isto poderá quebrar o interruptor.

Para evitar que o gatilho seja acidentalmente puxado, é fornecida uma alavanca de bloqueio. Para iniciar a ferramenta, deslize a alavanca de bloqueio e puxe o gatilho. Para parar a ferramenta, solte o gatilho.

AVISO:

- Para a sua segurança, esta ferramenta está equipada com uma alavanca de bloqueio, o que evita que a ferramenta se ligue acidentalmente. NUNCA utilize a ferramenta se esta funcionar quando premir o gatilho sem premir a alavanca de bloqueio. Devolva a ferramenta a um centro de serviço MAKITA para que seja correctamente reparada ANTES de utilizar.
- NUNCA coloque fita-cola ou desactive o objectivo e função da alavanca de bloqueio.

Pé (Fig. 6)

Após uma operação de corte, levante o lado posterior da ferramenta, saindo um pé debaixo da parte nivelada da base traseira. Isto evita danificar as lâminas da ferramenta.

MONTAGEM

PRECAUÇÃO:

- Certifique-se sempre de que a ferramenta está desligada e a bateria removida, antes de efectuar qualquer operação na ferramenta.

Remover ou instalar as lâminas da plaina

PRECAUÇÃO:

- Aperte bem os parafusos de fixação da lâmina quando fixar as lâminas à ferramenta. Um parafuso de fixação solto pode ser perigoso. Verifique sempre se estão bem apertados.
- Manuseie as lâminas com muito cuidado. Utilize luvas ou panos para proteger os dedos ou mãos quando retirar ou instalar as lâminas.
- Utilize apenas a chave Makita fornecida para instalar ou remover as lâminas. Caso contrário, poderá apertar em demasia ou insuficientemente os parafusos de fixação. Isto poderá causar ferimentos.

Para ferramentas com as lâminas de plaina convencionais (Fig. 7 - 9)

Para remover as lâminas no tambor, desaperte os parafusos de fixação com a chave de bocas. A tampa do tambor sai juntamente com as lâminas.

Para montar as lâminas, limpe primeiro todas as farpas ou material estranho que esteja colado ao tambor ou lâminas. Utilize lâminas das mesmas dimensões e peso, caso contrário resultará em oscilação/vibração do tambor, o que causará uma fraca acção de plainagem e, por fim, a avaria da ferramenta.

Coloque a lâmina na base de medição, para que a extremidade da lâmina esteja perfeitamente encaixada com a extremidade interior da chapa de medição. Coloque a chapa de ajuste na lâmina e pressione o calcanhar da chapa de ajuste até encaixar com o lado posterior da base de medição e aperte os dois parafusos na chapa de ajuste. Agora, deslize o calcanhar a chapa de ajuste para a ranhura do tambor e coloque a tampa do

tambor por cima. Aperte todos os parafusos de fixação de forma uniforme e alternada com a chave de bocas. Repita os procedimentos acima para a outra lâmina.

Para ferramentas com as lâminas de mini-plaina (Fig. 10)

1. Retire a lâmina existente, se a ferramenta tiver estado em utilização, limpe cuidadosamente as superfícies do tambor e a tampa do tambor. Para remover as lâminas no tambor, desaperte os três parafusos de fixação com a chave de bocas. A tampa do tambor sai juntamente com as lâminas. **(Fig. 11)**
2. Para montar as lâminas, coloque a chapa de ajuste sem prender na chapa de acerto com os parafusos de cabeça plana e coloque a lâmina da mini-plaina na base de medição, para que a extremidade de corte da lâmina esteja perfeitamente encaixada com o flanco interior da chapa de medição.
3. Coloque a chapa de acerto/chapa de ajuste na base de medição, de forma a que os engates de posicionamento da lâmina da plaina na chapa de acerto assentem no encaixe da lâmina da mini-plaina, de seguida pressione o calcanhar da chapa de ajuste até encaixar com o lado posterior da base de medição e aperte os parafusos de cabeça plana.
4. É importante que a lâmina encaixe totalmente com o flanco interior da chapa de medição, que os encaixes de posicionamento da lâmina da plaina assentem no encaixe da lâmina e que o calcanhar da chapa de ajuste esteja totalmente encaixada com o lado posterior da base de medição. Verifique cuidadosamente este alinhamento para garantir um corte uniforme.
5. Deslize o calcanhar da chapa de ajuste no encaixe do tambor. **(Fig. 12)**
6. Coloque a tampa do tambor por cima da chapa de acerto/chapa de ajuste e aparafuse os três parafusos de flange sextavados, de forma exista uma folga entre o tambor e a chapa de acerto para deslizar a lâmina da mini-plaina para a posição adequada. A lâmina será posicionada pelos engates de posicionamento da lâmina da plaina na chapa de acerto.
7. O ajuste da lâmina ao comprimento terá de ser posicionado manualmente, de forma a que as extremidades da lâmina estejam afastadas e equidistantes do alojamento num dos lados e o suporte de metal no outro.
8. Aperte os três parafusos de flange sextavados (com a chave de bocas fornecida) e rode o tambor para verificar a existência de folgas entre as extremidades da lâmina e o corpo da ferramenta.
9. Verifique os três parafusos de flange sextavados para o aperto final.
10. Repita os procedimentos 1 - 9 para a outra lâmina.

Para a definição correcta da lâmina da plaina

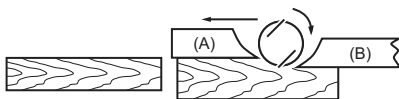
A superfície de plainagem ficará áspera e irregular, a não ser que a lâmina esteja acertada correcta e fixamente. A lâmina deve ser montada de forma a que a extremidade de corte esteja absolutamente nivelada, ou seja, paralela à superfície da base traseira.

Consulte em baixo alguns exemplos de acertos adequados e incorrectos.

(A) Base frontal (sapata móvel)

(B) Base traseira (sapata fixa)

Acerto correcto



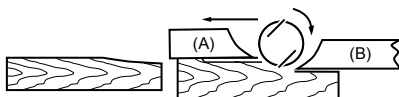
Embora esta vista de lado não a possa mostrar, as extremidades das lâminas deslizam perfeitamente em paralelo com a superfície da base traseira.

Imperfeições na superfície



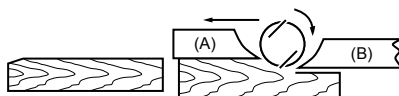
Causa: Uma ou ambas as lâminas não possuem uma extremidade paralela à linha da base traseira.

Ranhas no início



Causa: Uma ou ambas as extremidades das lâminas não estão suficientemente salientes em relação à linha da base traseira.

Ranhas no fim



Causa: Uma ou ambas as extremidades das lâminas estão demasiado salientes em relação à linha da base traseira.

EN0004-1

Saco do pó (acessório) (Fig. 13)

Para ferramentas sem bocal

Retire a tampa de farpas e instale o bocal (acessório opcional). Encaixe o saco de pó no bocal. O bocal é cônico. Quando colocar o saco do pó, empurre-o firmemente ao máximo para o bocal, para evitar que saia durante o funcionamento.

Para ferramentas com bocal

Encaixe o saco de pó no bocal. O bocal é cônico. Quando colocar o saco do pó, empurre-o firmemente ao máximo para o bocal, para evitar que saia durante o funcionamento. (Fig. 14)

Quando o saco do pó estiver meio cheio, retire o saco do pó da ferramenta e puxe o fixador para fora. Esvazie o saco do pó, batendo-lhe ligeiramente de forma a remover as partículas coladas ao interior, que poderão interferir nas recolhas posteriores.

NOTA:

- Se ligar um aspirador Makita a esta ferramenta, poderão ser efectuadas operações mais eficientes e mais limpas.

Ligar um aspirador (Fig. 15)

Para ferramentas sem bocal

Quando pretender efectuar uma operação de plainagem limpa, ligue um aspirador Makita à sua ferramenta. Antes de ligar o aspirador, retire a tampa de farpas da ferramenta. De seguida, ligue um tubo flexível do aspirador ao bocal (acessório opcional), tal como indicado nas ilustrações.

Para ferramentas com bocal

Quando pretender efectuar uma operação de plainagem limpa, ligue um aspirador Makita à sua ferramenta. De seguida, ligue um tubo flexível do aspirador ao bocal, tal como indicado nas figuras.

Cotovelo (acessório opcional) (Fig. 16)

A utilização do cotovelo permite mudar a direcção da descarga de farpas para efectuar um trabalho mais limpo.

Para ferramentas sem bocal

Retire a tampa de farpas e instale o bocal (acessório opcional). Encaixe o cotovelo (acessório opcional) no bocal da ferramenta, encaixando-o. Para o remover, basta retirá-lo.

Para ferramentas com bocal

Encaixe o cotovelo (acessório opcional) no bocal da ferramenta, encaixando-o. Para o remover, basta retirá-lo.

Limpeza do bocal

Limpe regularmente o bocal.

Utilize ar comprimido para limpar o bocal obstruído.

FUNCIIONAMENTO

Segure firmemente com uma mão no manípulo e a outra mão na pega do gatilho, quando trabalhar com a ferramenta.

Acção de plainar (Fig. 17)

Em primeiro lugar, assente a base frontal da ferramenta na superfície da peça de trabalho, sem que as lâminas façam qualquer contacto. Ligue e aguarde até que as lâminas atinjam a velocidade máxima. De seguida, mova a ferramenta suavemente para a frente. Aplique pressão na frente da ferramenta no início da plainagem e na parte posterior no fim da plainagem. A plainagem será mais fácil se inclinar a peça de trabalho de forma fixa, para que possa plainar um pouco inclinado para baixo. A velocidade e profundidade de corte determinam o tipo de acabamento. A plaina eléctrica continua a cortar a uma velocidade que não resulte em encravamento devido a farpas. Para desbaste, é possível aumentar a

profundidade de corte, embora para obter um bom acabamento deva reduzir a profundidade de corte e avançar a ferramenta mais lentamente.

Ranhuragem (Fig. 18)

Para fazer um corte de degrau tal como o apresentado na figura, utilize a protecção de escarificação (guia) que é obtida como acessório. (Fig. 19)

Desenhe uma linha de corte na peça de trabalho. Insira a protecção de escarificação no orifício na frente da ferramenta. Alinhe a extremidade da lâmina com a linha de corte. (Fig. 20)

Ajuste a protecção de escarificação até entrar em contacto com a parte lateral da peça de trabalho, de seguida, fixe-a apertando o parafuso. (Fig. 21)
Quando plainar, mova a ferramenta com a protecção de escarificação encostada ao lado da peça de trabalho. Caso contrário, poderá ocorrer uma plainagem irregular. A profundidade máxima de ranhuragem é de 9 mm.

(Fig. 22)

Poderá pretender acrescentar ao comprimento da protecção colocando um pedaço adicional de madeira. Existem orifícios convenientes na protecção para este objectivo e também para colocar um guia de extensão (acessório opcional).

Chanfradura (Fig. 23 e 24)

Para fazer um corte de chanfradura tal como mostrado na figura, alinhe o encaixe "V" na base frontal com a extremidade da peça de trabalho e faça a plainagem.

MANUTENÇÃO

⚠ PRECAUÇÃO:

- Certifique-se sempre de que a ferramenta está desligada e a bateria removida antes de efectuar operações de inspecção ou de manutenção.
- Nunca utilize gasolina, benzina, diluente, álcool ou semelhante. Podem formar-se descolorações, deformações ou fissuras.

Afiar as lâminas da plaina

Apenas para lâminas convencionais (Fig. 25)

Mantenha sempre as lâminas afiadas para obter o melhor desempenho possível. Utilize o fixador de afiamento (acessório opcional) para remover as imperfeições e produzir uma extremidade fina. (Fig. 26)

Em primeiro lugar, solte as duas porcas de orelhas no suporte e insira as lâminas (A) e (B), de forma a que entrem em contacto com os lados (C) e (D). De seguida, aperte as porcas de orelhas. (Fig. 27)

Coloque a pedra de amolar em água durante 2 ou 3 minutos antes de afiar. Segure no suporte de forma a que ambas as lâminas entrem em contacto com a pedra de amolar, para afiar ao mesmo tempo no mesmo ângulo.

Substituição das escovas de carvão (Fig. 28)

Remova e verifique regularmente as escovas de carvão. Substitua-as quando o desgaste atingir a marca limite. Mantenha-as limpas para poderem deslizar no porta-escovas. Substitua as duas ao mesmo tempo. Utilize unicamente escovas de carvão idênticas. (Fig. 29)

Utilize uma chave de parafusos para remover as tampas do porta-escovas. Retire as escovas usadas, coloque umas novas e fixe as tampas do porta-escovas. Para manter os níveis de SEGURANÇA e FIABILIDADE definidos para este produto, as reparações e os procedimentos de manutenção ou ajustes devem ser executados por centros de assistência Makita autorizados, utilizando sempre peças de substituição Makita.

ACESSÓRIOS OPCIONAIS

⚠ PRECAUÇÃO:

- Os seguintes acessórios ou extensões são os recomendados para utilizar com a ferramenta Makita especificada neste manual. A utilização de quaisquer outros acessórios poderá representar um risco de ferimento para as pessoas. Apenas utilize o acessório para o fim indicado.

Se precisar de informações adicionais relativas aos acessórios, contacte o centro local de assistência Makita.

- Lâmina da plaina de aço de alta velocidade
- Lâmina da plaina de carboneto de tungsténio (para uma maior longevidade da lâmina)
- Lâmina da mini-plaina
- Suporte de afiamento
- Medidor da lâmina
- Chapa de acerto
- Vedação para escarificação (guia paralela)
- Conjunto de guia de extensão
- Pedra de amolar
- Bocal
- Montagem do saco de pó
- Cotovelo
- Chave de bocas
- Saco de transporte de plástico
- Vários tipos de baterias e carregadores Makita genuínos

NOTA:

- Alguns itens na lista podem estar incluídos no pacote de ferramentas como acessórios de série. Podem diferir de país para país.

Ruído

ENG905-1

Os níveis acústicos ponderados A típicos foram determinados segundo a EN62841-2-14:

Modelo DKP140

Nível de pressão sonora (L_{pA}): 86 dB (A)
Nível de potência sonora (L_{WA}): 97 dB (A)
Incerteza (K): 3 dB (A)

Modelo DKP180

Nível de pressão sonora (L_{pA}): 87 dB (A)
Nível de potência sonora (L_{WA}): 98 dB (A)
Incerteza (K): 3 dB (A)

Use protecção para os ouvidos.

Vibrações

ENG900-1

O valor total da vibração (soma triaxial de vectores) foi determinado segundo a EN62841-2-14:

Modelo DKP140

Modo de trabalho: plainar madeira de resinosas
Emissão de vibração (a_{h1}): 3,5 m/s²
Incerteza (K): 1,5 m/s²

Modelo DKP180

Modo de trabalho: plainar madeira de resinosas

Emissão de vibração (a_{rh}): 4,5 m/s²

Incerteza (K): 1,5 m/s²

ENG901-1

- O valor da emissão de vibração declarado foi medido de acordo com o método de teste padrão e pode ser utilizado para comparar uma ferramenta com outra.
- O valor da emissão de vibração declarado pode também ser utilizado numa avaliação preliminar de exposição.

AVISO:

- A emissão de vibração durante a utilização real da ferramenta eléctrica pode ser diferente do valor de emissão declarado, dependendo da forma como a ferramenta é utilizada.
- Certifique-se de que identifica medidas de segurança, para proteger o operador, que são baseadas numa estimativa de exposição nas condições reais de utilização (tendo em conta todas as partes do ciclo de funcionamento, como as vezes que a ferramenta é desligada e quando está a trabalhar ao ralenti, além do tempo de utilização).

Declaração de conformidade CE

Apenas para os países europeus

A declaração de conformidade CE está incluída como Anexo A neste manual de instruções.

DANSK (Originalvejledning)

Forklaring til generel oversigt

1. Knap	20. Tromledæksel	39. Støvpose
2. Rød indikator	21. Justeringsplade	40. Lukkemekanisme
3. Batteripakke	22. Målepladens inderkant	41. Rørbøjning
4. Indikatorlamper	23. Høvljernet skær	42. Start
5. Kontrolknap	24. Skrue	43. Slut
6. Stjernemærke	25. Hæl	44. Skærelinje
7. Pil	26. Bagside af målebase	45. Skruer
8. Knap	27. Måleplade	46. Kantafskærmning (ekstraudstyr)
9. Låsehåndtag	28. Målebase	47. Slibningsholder
10. Kontaktgreb	29. Rundhovedet skrue	48. Vingemøtrik
11. Høvljern	30. Høvljernet styrehuller	49. Høvljern (A)
12. Bagende	31. Justeringspladens hæl	50. Høvljern (B)
13. Fodstykke	32. Fastgøringsplade	51. Side (D)
14. Topnøgle	33. Målepladens indre frigangsflede	52. Side (C)
15. Bolt	34. Bagside af målebase	53. Slidgrænse
16. Løsn	35. Minihøvljern	54. Kulholderdæksel
17. Stram	36. Rille	55. Skruestrækker
18. Bolte	37. Sekskantede flangehovedbolte	
19. Tromle	38. Mundstykke	

SPECIFIKATIONER

Model	DKP140	DKP180
Høvlbredde	82 mm	
Høvl dybde	1,6 mm	2 mm
Overfalsningsdybde	9 mm	
Hastighed uden belastning (min ⁻¹)	15.000	
Længde i alt	329 mm	333 mm
Nettovægt	3,0 - 3,3 kg	3,2 - 3,5 kg
Nominal spænding	14,4 V jævnstrøm	18 V jævnstrøm

- På grund af vores løbende forsknings- og udviklingsprogram kan specifikationerne heri ændres uden forudgående varsel.
- Specifikationerne kan variere fra land til land.
- Vægten kan muligvis afvige afhængigt af tilbehøret, inklusive batteripakken. Den letteste og tungeste kombination, ifølge EPTA-procedure 01/2014, er vist i tabellen.

Anvendelig batteripakke og oplader

Batteripakke	14,4 V DC Model	BL1415N/BL1430/BL1430B/BL1440/BL1450/BL1460B
	18 V DC Model	BL1815N/BL1820/BL1820B/BL1830/BL1830B/BL1840/BL1840B/BL1850/BL1850B/BL1860B
Oplader		DC18RC/DC18RD/DC18RE/DC18SD/DC18SE/DC18SF

- Nogle af de ovennævnte batteripakker og opladere er muligvis ikke til rådighed, afhængigt af den region du bor i.

ADVARSEL:

- **Brug kun de ovennævnte batteripakker og opladere.** Brug af nogen andre batteripakker og opladere kan muligvis forårsage personskade og/eller brand.

Tilsigtet brug


Maskinen er beregnet til træafhøvling.

ENE001-1

følger med denne maskine. Forsømmelse af at overholde alle nedenstående instruktioner kan medføre elektrisk stød, brand og/eller alvorlig personskade.

Almindelige sikkerhedsregler for el-værktøj

GEA010-2

 **ADVARSEL:** Læs alle de sikkerhedsadvarsler, instruktioner, illustrationer og specifikationer, der

Gem alle advarsler og instruktioner til fremtidig reference.

Ordet "el-værktøj" i advarslerne henviser til det netforsynede (netledning) el-værktøj eller batteriforsynede (akku) el-værktøj.

SIKKERHEDSADVARSLER FOR AKKU HØVL

GEB168-1

1. **Vent, til skærehovedet er stoppet, før du sætter maskinen fra dig.** Et blottet roterende skærehoved kan gribe fat i overfladen og forårsage risiko for tab af kontrollen og alvorlig personskade.
2. **Brug skruetvinger eller en anden praktisk måde til at fastgøre og understøtte arbejdsemnet til en stabil platform.** Hvis arbejdsemnet holdes i hånden eller mod kroppen, bliver det ustabil, hvilket kan medføre, at du mister kontrollen.
3. **Klude, tøj, ledninger, snore og lignende må aldrig ligge og flyde i arbejdsområdet.**
4. **Undgå at skære i søm. Se efter og fjern alle søm fra arbejdsemnet, før arbejdet påbegyndes.**
5. **Brug kun skarpe blade. Håndter bladene yderst forsigtigt.**
6. **Sørg for, at boltene til montering af bladet er strammet forsvarligt før brugen.**
7. **Hold godt fast i maskinen med begge hænder.**
8. **Hold hænderne på afstand af roterende dele.**
9. **Lad maskinen køre et stykke tid, før den anvendes på et egentligt arbejdsemne. Se efter vibration eller rysten, der kan tyde på forkert montering eller et dårligt afbalanceret blad.**
10. **Kontroller, at bladet ikke er i kontakt med arbejdsemnet, før der tændes ved afbryderen.**
11. **Vent, til bladet når fuld hastighed, før der skæres.**
12. **Sluk altid, og vent, til bladene er helt stoppet, før der udføres nogen form for justering.**
13. **Stik aldrig fingeren ind i spånrenden. Renden kan blive tilstoppet, når der skæres i fugtigt træ. Fjern spånerne med en pind.**
14. **Lad ikke maskinen ligge og køre. Brug kun maskinen, når den holdes i hænderne.**
15. **Skift altid begge blade eller dæksler på tromlen, da den deraf følgende ubalance ellers kan forårsage vibration og forkorte maskinens levetid.**
16. **Brug kun de Makita blade, der er angivet i denne manual.**
17. **Anvend altid korrekt støvmaske/åndedrætsværn til det materiale og den anvendelse, du arbejder med.**

GEM DENNE BRUGSANVISNING.

ADVARSEL:

LAD IKKE bekvemmelighed eller kendskab til produktet (opnået gennem gentagen brug) forhindre, at sikkerhedsforskrifterne for produktet nøje overholdes.

MISBRUG eller forsømmelse af at følge de i denne brugsvejledning givne sikkerhedsforskrifter kan føre til, at De kommer alvorligt til skade.

VIGTIGE SIKKERHEDSINSTRUKTIONER FOR AKKUEN

ENC007-12

1. **Før brugen af batteripakken skal du læse alle instruktioner og advarsler på (1) batteriopladeren, (2) batteriet og (3) det produkt, som batteriet anvendes i.**
2. **Skil ikke batteripakken ad.**
3. **Hvis driftstiden bliver betydeligt kortere, skal du straks ophøre med brugen. Brug kan medføre risiko for overophedning, risiko for forbrændinger eller endog eksplosion.**
4. **Hvis du får elektrolyt i øjnene, skal du med det samme rense øjnene med rent vand og søge læge. Dette kan medføre tab af synet.**
5. **Kortslut ikke batteripakken:**
 - (1) **Undgå at røre ved terminalerne med ledende materiale.**
 - (2) **Undgå at opbevare batteripakken i en beholder med andre metalgenstande som f.eks. søm, mønter osv.**
 - (3) **Udsæt ikke batteripakken for vand eller regn. Hvis batteriet kortsluttes, kan det medføre voldsom strøm, overophedning, mulige forbrændinger og endog nedbrud.**
6. **Undgå at opbevare værktøjet og batteripakken på steder, hvor temperaturen kan komme op på eller overstige 50°C.**
7. **Sæt ikke ild til batteripakken, selvom den er alvorligt beskadiget eller helt udtjent. Batteripakken kan eksplodere ved brand.**
8. **Undgå at tabe eller slå på batteriet.**
9. **Undlad brug af et beskadiget batteri.**
10. **De indbyggede litium-ion-batterier er underlagt lovkrav vedrørende farligt gods.**

Ved kommerciel transport, f.eks. af tredjeparts transportselskaber, skal særlige krav til forpakning og mærkning overholdes.

Ved forberedelse af udstyret til forsendelse skal du kontakte en ekspert i farligt gods. Overhold også eventuel mere detaljeret national lovgivning.

Tape eller tildæk åbne kontakter, og pak batteriet på en måde, så det ikke kan flytte sig rundt i pakningen.
11. **Følg de lokale bestemmelser med hensyn til bortskafløse af batteri.**
12. **Brug kun batterierne med de produkter, som er specificeret af Makita. Monteres batterierne i produkter, som ikke er kompatible, kan det muligvis resultere i brand, kraftig varmeudvikling, eksplosion eller lækage af elektrolyt.**

GEM DISSE INSTRUKTIONER.

FORSIGTIG: Brug kun originale batterier fra Makita.

Brug af uoriginale Makita-batterier, eller batterier som er blevet ændret, kan muligvis medføre brud på batteriet, hvilket kan forårsage brand, personskade eller

beskadigelse. Det ugyldiggør også Makita-garantien for Makita-maskinen og opladeren.

Tips til, hvordan du forlænger batteriets levetid

1. **Oplad batteripakken, før den bliver helt afladet. Ophør med at bruge værktøjet, og udskift batteripakken, hvis strømmen til værktøjet aftager.**
2. **Oplad aldrig en fuldt opladet batteripakke. Overopladning forkorter batteriets levetid.**
3. **Oplad batteripakken ved stuetemperatur på 10°C - 40°C. Lad batteripakken køle ned før den oplades, hvis den er varm.**
4. **Oplad batteripakken, hvis du ikke skal anvende den i en længere periode (mere end seks måneder).**

FUNKTIONSBESKRIVELSE

⚠ FORSIGTIG:

- Sørg altid for, at maskinen er slukket, og at batteripakken er taget ud, før du justerer maskinen eller kontrollerer dens funktion.
















Montering eller afmontering af batteripakke (Fig. 1)

- Sluk altid for maskinen inden batteripakken monteres eller afmonteres.
- Tag batteripakken ud ved at holde ned på knappen foran på batteripakken og skubbe den ud.
- Ved montering af batteripakken justeres tungen på batteripakken med rillen i huset, hvorefter pakken skubbes på plads. Sæt den altid hele vejen ind, indtil den låses på plads med et lille klik. Hvis den røde indikator øverst på knappen er synlig, er batteripakken ikke låst helt fast. Sæt den helt ned, indtil den røde indikator ikke længere er synlig. Ellers kan den falde ud af maskinen og skade dig eller andre personer i nærheden.
- Brug ikke magt ved montering af batteripakken. Hvis den ikke glider let ind, er den ikke indsat korrekt.

Angivelse af den resterende batterikapacitet

Kun til akkuer med indikatoren (Fig. 2)

Tryk på kontrolknappen på akkuen for at få vist den resterende batteriladning. Indikatorlampen lyser i nogle sekunder.

Indikatorlamper			Resterende kapacitet
 Tændt	 Slukket	 Blinker	
			75% til 100%
			50% til 75%
			25% til 50%
			0% til 25%
			Oplad batteriet.
			Der opstod muligvis funktionsfejl på batteriet.

BEMÆRK:

- Afhængigt af anvendelsesforholdene og den omgivende temperatur, kan angivelsen muligvis afvige en smule fra den egentlige kapacitet.

Batteribeskyttelsessystem (batteripakke med et stjernemærke) (Fig. 3)

Batteripakken med et stjernemærke er udstyret med et beskyttelsessystem, der automatisk slår strømmen fra for at forlænge levetiden.

Maskinen stopper under anvendelsen, når maskinen og/eller batteripakken udsættes for følgende situation. Dette skyldes aktiveringen af beskyttelsessystemet og er ikke et tegn på fejl ved maskinen.

- Når maskinen er overbelastet:
 - I dette tilfælde skal du slippe kontaktgrebet, afmontere batteripakken og fjerne årsagen til overbelastningen, og derefter trykke ind på kontaktgrebet igen for at genstarte.
- Når battericeller bliver varme:
 - Motoren forbliver stoppet, selvom kontaktgrebet betjenes. I dette tilfælde skal du stoppe brugen af maskinen og afkøle eller oplade batteripakken, efter den er taget ud af maskinen.
- Når den resterende batterikapacitet bliver lav:
 - Motoren forbliver stoppet, selvom kontaktgrebet betjenes. I dette tilfælde skal du tage batteripakken ud af maskinen og oplade den.

Indstilling af skæredybde (Fig. 4)

Skæredybden kan justeres ganske enkelt ved at dreje på knappen foran på maskinen, således at pilen peger på den ønskede skæredybde.

Betjening af kontaktgreb (Fig. 5)

⚠ FORSIGTIG:

- Før batteripakken sættes i maskinen, skal du altid kontrollere, at kontaktgrebet reagerer korrekt og vender tilbage i "OFF"-stillingen, når du slipper det.
- Træk ikke hårdt i kontaktgrebet uden at trykke på låsehåndtaget. Dette kan ødelægge kontakten.

Et låsehåndtag forhindrer, at kontaktgrebet aktiveres ved et uheld. Maskinen startes ved at trykke på låsehåndtaget og trække i kontaktgrebet. Slip kontaktgrebet for at stoppe.

⚠ ADVARSEL:

- Af hensyn til din sikkerhed er maskinen forsynet med et låsehåndtag, der forhindrer, at maskinen starter ved et uheld. Brug ALDRIG maskinen, hvis den kører, når du trækker i kontaktgrebet uden at trykke på låsehåndtaget. Indlever maskinen til et MAKITA-servicecenter til reparation, FØR den benyttes igen.
- Du må ALDRIG fastgøre låsehåndtaget med tape eller omgå dets funktion.

Fodstykke (Fig. 6)

Efter en skæring skal du hæve bagenden på maskinen, så der kommer et fodstykke frem under bagenden. Dette forhindrer, at høvljernene bliver beskadiget.

MONTERING

⚠ FORSIGTIG:

- Sørg altid for, at maskinen er slukket, og at batteripakken er taget ud, før du udfører nogen form for arbejde på maskinen.

Afmontering eller montering af høvljern

⚠ FORSIGTIG:

- Spænd høvljernet monteringsbolte omhyggeligt, når du monterer høvljernerne på maskinen. En løs monteringsbolt kan være farlig. Kontroller altid, at de er fastspændt ordentligt.
- Hånder høvljernerne yderst forsigtigt. Brug handsker eller klude til at beskytte fingrene eller hænderne, når du fjerner eller monterer høvljernerne.
- Anvend kun den medfølgende Makita-skruenøgle til at montere eller afmontere høvljernerne. Ellers kan det føre til, at monteringsboltene bliver spændt enten for løst eller for stramt. Det kan føre til personskader.

For maskine med almindelige høvljern (Fig. 7 - 9)

For at fjerne tromlens høvljern skal du løsne monteringsboltene med topnøglen. Tromledækslet kommer af sammen med høvljernerne.

For at installere høvljernerne skal du først fjerne alle spåner og andre fremmedobjekter, der måtte sidde på tromlen eller høvljernerne. Brug høvljern med samme størrelse og vægt, da det ellers vil føre til svingninger/vibreringer i tromlen og dermed til en dårlig afhøvling og i sidste ende til ødelæggelse af maskinen.

Placer høvljernet på målebasen, så høvljernet skær er fuldstændigt på linje med den indvendige kant af målepladen. Placer justeringspladen på høvljernet, og tryk derefter justeringspladens bagkant ind, så den flugter med bagsiden af målebasen, og stram de to skruer på justeringspladen. Skub nu justeringspladens bagkant ind i tromlens rille, og sæt tromledækslet på plads henover. Stram alle monteringsboltene lige meget med topnøglen. Gentag procedurerne ovenfor for det andet høvljern.

For maskine med minihøvljern (Fig. 10)

1. Fjern det eksisterende høvljern, hvis maskinen har været i brug, og rengør omhyggeligt tromleoverfladerne og tromledækslet. For at fjerne

tromlens høvljern skal du løsne de tre monteringsbolte med topnøglen. Tromledækslet kommer af sammen med høvljernerne. **(Fig. 11)**

2. Ved montering af høvljernerne skal du løst fastgøre justeringspladen til fastgøringspladen med de rundhovedede skruer og sætte minihøvljernet på målerbasen, så klingens skærekant flugter perfekt med målepladens indre frigangsflade.
3. Sæt justeringspladen/fastgøringspladen på målebasen, så høvljernet styrehuller på fastgøringspladen hviler i minihøvljernet rille, tryk derefter justeringspladens bagkant ind, så den flugter med bagsiden af målebasen, og stram de rundhovedede skruer.
4. Det er vigtigt, at høvljernet flugter med målepladens indre frigangsflade, at høvljernet styrehuller sidder i klingens rille, og at justeringspladens bagkant flugter med bagsiden af målebasen. Kontroller justeringen nøje for at sikre ensformig skæring.
5. Sæt justeringspladens bagkant ind i tromlens rille. **(Fig. 12)**
6. Sæt tromledækket over justeringspladen/fastgøringspladen, og skru de tre sekskantede flangehovedbolte i, så der er et mellemrum mellem tromlen og lågen, hvor minihøvljernet kan sættes på plads. Jernet indstilles af høvljernet styrehuller på fastgøringspladen.
7. Høvljernet justering på langs skal indstilles manuelt, så høvljernet ender er frilagte og lige langt fra huset på den ene side og metalarmen på den anden.
8. Stram de tre sekskantede flangehovedbolte (med den medfølgende topnøgle), og drej tromlen for at kontrollere, at der er frigang mellem høvljernet ender og maskinen.
9. Kontroller, at de tre sekskantede flangehovedbolte er spændt tilstrækkeligt.
10. Gentag procedurerne 1-9 for det andet høvljern.

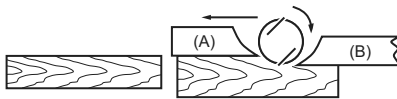
Sådan indstilles høvljernet korrekt

Den overflade, der skal høvles, vil blive ru og ujævn, hvis ikke høvljernet er indstillet korrekt og sikkert. Høvljernet skal monteres, så skærekanten er helt lige, det vil sige parallel med bagendens overflade.

Se eksempler på korrekt og ukorrekt indstilling nedenfor.

- (A) Forende (bevægeligt føringsanslag)
 (B) Bagende (stationær føringsanslag)

Korrekt indstilling



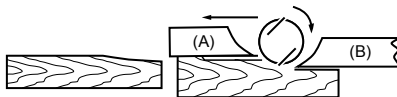
Selvom denne sidevisning ikke kan vise det, ligger høvljernenes kanter helt parallelt med bagendens overflade.

Hak i overfladen



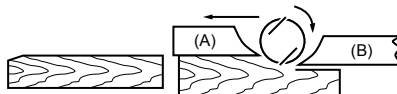
Årsag: Et eller begge høvljerns kanter ligger ikke parallelt med bagendens linje.

Fugehøvling ved start



Årsag: Et eller begge høvljerns kanter stikker ikke tilstrækkelig frem i forhold til bagenden.

Fugehøvling til slut



Årsag: Et eller begge høvljerns kanter stikker for langt frem i forhold til bagenden.

EN0004-1

Støvpose (tilbehør) (Fig. 13)

For maskiner uden mundstykke

Fjern spåndækslet og monter mundstykket (ekstraudstyr). Monter støvposen på mundstykket. Mundstykket er konisk udformet. Når støvposen sættes fast, skal den skubbes så langt ind på mundstykket som muligt, så den ikke falder af under brug.

For maskiner med mundstykke

Monter støvposen på mundstykket. Mundstykket er konisk udformet. Når støvposen sættes fast, skal den skubbes så langt ind på mundstykket som muligt, så den ikke falder af under brug. (Fig. 14)

Når støvposen er omkring halvt fuld, skal du fjerne posen fra maskinen og trække lukkemekanismen ud. Tøm støvposen, og klap let på den, så partikler, der klæber til indersiden, fjernes, hvilket ellers kan hæmme yderligere opsamling.

BEMÆRK:

- Hvis du slutter en Makita-støvsuger til denne maskine, kan arbejdet udføres mere effektivt og renere.

Tilslutning til støvsuger (Fig. 15)

For maskiner uden mundstykke

Hvis du vil høvle og holde arbejdsområdet rent, kan du tilslutte en Makita-støvsuger til maskinen. Inden du tilslutter støvsugeren skal du afmontere spåndækslet fra maskinen. Slut derefter støvsugerslangen til mundstykket (ekstraudstyr) som vist på figurene.

For maskiner med mundstykke

Hvis du vil høvle og holde arbejdsområdet rent, kan du tilslutte en Makita-støvsuger til maskinen. Slut derefter støvsugerslangen til mundstykket som vist på figuren.

Rørbøjning (ekstraudstyr) (Fig. 16)

Brug af rørbøjning gør det muligt at ændre spånudledningens retning, så renere arbejde kan udføres.

For maskiner uden mundstykke

Fjern spåndækslet og monter mundstykket (ekstraudstyr). Monter rørbøjningen (ekstraudstyr) på maskinens mundstykke ved at sætte det på. Træk blot i den for at tage den af.

For maskiner med mundstykke

Monter rørbøjningen (ekstraudstyr) på maskinens mundstykke ved at sætte det på. Træk blot i den for at tage den af.

Rengøring af mundstykke

Rengør mundstykket regelmæssigt.

Brug trykluft til at rengøre det tilstoppede mundstykke.

BETJENING

Hold maskinen fast med den ene hånd på knappen og den anden hånd på kontakthåndtaget, når maskinen anvendes.

Høvling (Fig. 17)

Stil først maskinens forende fladt på arbejdsemnets overflade, uden at høvljernene får kontakt. Tænd for maskinen, og vent på, at høvljernene når den maksimale hastighed. Bevæg derefter maskinen langsomt fremad. Tryk forenden ned ved starten af høvlingen og bagenden ned ved slutningen af høvlingen. Det er nemmere at udføre høvlingen, hvis du skræner arbejdsemnet på en stationær måde, så du kan høvle nedad. Høvlingens hastighed og dybde bestemmer finishen. Elhøvlen høvler ved en hastighed, der ikke vil medføre fastklemning af spåner. Ved mindre nøjagtig skæring kan skæredybden øges, mens du skal reducere skæredybden

og føre maskinen frem i et langsommere tempo, hvis du ønsker en pæn finish.

Overfalsningsdybde (falsning) (Fig. 18)

Brug kantafskærmningen (styrepinden), som fås som tilbehør, hvis du vil lave en trindelt indskæring som vist på figuren. (Fig. 19)

Træk en skærelinje på arbejdsemnet. Indsæt kantafskærmningen i huller foran maskinen. Sæt høvljernets kær på linje med skærelinjen. (Fig. 20) Juster kantafskærmningen indtil den kommer i kontakt med siden af arbejdsemnet, og fastgør den derefter ved at spænde skruen. (Fig. 21)

Når der høvles, skal maskinen bevæges således, at kantafskærmningen flugter med siden på arbejdsemnet. Ellers kan høvlingen blive ujævn.

Maksimal overfalsningsdybde (falsning) er 9 mm. (Fig. 22)

Du kan gøre afskærmningen længere ved at fastgøre et ekstra stykke træ. Der er placeret praktiske huller i afskærmningen til dette formål, også til fastgørelse af en forlængelsesskinne (ekstraudstyr).

Skråskæring (Fig. 23 og 24)

Hvis du vil lave en skråskæring som vist på figuren, skal du justere "V"-rillen foran med kanten af arbejdsemnet og udjævne den.

VEDLIGEHODELSE

⚠ FORSIGTIG:

- Sørg altid for, at maskinen er slukket, og at batteripakken er taget ud, før du forsøger at udføre inspektion eller vedligeholdelse.
- Brug aldrig benzin, benzen, fortynder, alkohol eller lignende. Det kan muligvis medføre misfarvning, deformation eller revner.

Slibning af høvljernene

Kun for almindelige høvljern (Fig. 25)

Hold altid høvljernet skarpt for at opnå optimal ydelse. Brug slibningsholderen (ekstraudstyr) for at undgå hak og for at få en fin kant. (Fig. 26)

Start med at løse de to vingemøtrikker på holderen og indsæt høvljernene (A) og (B), så de er i kontakt med siderne (C) og (D). Stram herefter vingemøtrikkerne. (Fig. 27)

Læg slibestenen i vand i 2 til 3 minutter før slibning. Hold holderen så begge høvljern er i kontakt med slibestenen for samtidig slibning i den samme vinkel.

Udskiftning af kulbørsterne (Fig. 28)

Tag regelmæssigt kulbørsterne af, og efterse dem. Udskift dem, når de er nedslidt til slidgrænsen. Hold kulbørsterne rene og frie til at glide i holderne. Begge kulbørster skal udskiftes samtidig. Brug altid identiske kulbørster. (Fig. 29)

Brug en skruetrækker til at fjerne kulholderdækslerne. Tag de udslidte kulbørster ud, monter de nye, og fastgør kulholderdækslerne.

For at holde produktet SIKKERT og PÅLIDELIGT skal reparationer samt al anden vedligeholdelse eller justering

udføres af autoriserede Makita-servicecentre, og der skal altid benyttes Makita-reservedele.

EKSTRAUDSTYR

⚠ FORSIGTIG:

- Dette tilbehør eller ekstraudstyr anbefales til brug med det Makita-værktøj, som er beskrevet i denne brugsanvisning. Brug af andet tilbehør eller ekstraudstyr kan forårsage personskade. Brug kun tilbehør eller ekstraudstyr til det formål, det er beregnet til.

Henvend dig til dit lokale Makita-servicecenter, hvis du har brug for hjælp eller yderligere oplysninger vedrørende tilbehøret.

- Højhastigheds-stålhøvljern
- Wolframkarbidhøvljern (for længere levetid på klingene)
- Minihøvljern
- Slibningsholdersæt
- Klingemåler
- Fastgøringspladesæt
- Kantafskærmning (styrepind)
- Forlængelsesskinnesæt
- Slibesten
- Mundstykke
- Støvposesæt
- Rørbøjning
- Topnøgle
- Plastikbæretaske
- Forskellige typer af originale batterier og opladere fra Makita

BEMÆRK:

- Visse dele på listen er muligvis indeholdt maskinindpakningen som standardtilbehør. De kan variere fra land til land.

Støv

ENG905-1

Det typiske A-vægtede støjniveau bestemt i overensstemmelse med EN62841-2-14:

Model DKP140

Lydtrykkniveau (L_{pA}): 86 dB (A)
Lydeffektniveau (L_{WA}): 97 dB (A)
Usikkerhed (K): 3 dB (A)

Model DKP180

Lydtrykkniveau (L_{pA}): 87 dB (A)
Lydeffektniveau (L_{WA}): 98 dB (A)
Usikkerhed (K): 3 dB (A)

Bær høreværn.

Vibration

ENG900-1

Den samlede vibrationsværdi (treaksiel vektorsum) bestemt i overensstemmelse med EN62841-2-14:

Model DKP140

Arbejdstilstand: høvling i blødt træ
Vibrationsemission (a_{h1}): 3,5 m/s²
Usikkerhed (K): 1,5 m/s²

Model DKP180

Arbejdstilstand: høvling i blødt træ
Vibrationsemission (a_{h1}): 4,5 m/s²
Usikkerhed (K): 1,5 m/s²

- Den opgivne vibrationsemissionsværdi er målt i overensstemmelse med standardtestmetoden og kan bruges til at sammenligne et værktøj med et andet.
- Den opgivne vibrationsemissionsværdi kan muligvis også bruges til en indledende eksponeringsvurdering.

**ADVARSEL:**

- Vibrationsemissionen under den faktiske brug af maskinen kan afvige fra den opgivne emissionsværdi afhængigt af den måde, maskinen anvendes på.
- Sørg for at bestemme sikkerhedsforanstaltninger for beskyttelse af operatøren, som er baseret på en eksponeringsvurdering for brug under faktiske forhold (hvor alle anvendelsescyklussens dele inddrages, som f.eks. antal gange maskinen slukkes, og når den kører i tomgang ud over triggertiden).

EF-overensstemmelseserklæring***Kun for europæiske lande***

EF-overensstemmelseserklæringen er inkluderet som appendiks A til denne betjeningsvejledning.

ΕΛΛΗΝΙΚΑ (Πρωτογενείς οδηγίες)

Γενική περιγραφή

1. Κουμπί
2. Κόκκινος δείκτης
3. Κασέτα μπαταρίας
4. Ενδεικτικές λυχνίες
5. Κουμπί ελέγχου
6. Ένδειξη άστρου
7. Δείκτης
8. Κουμπί
9. Μοχλός κλειδώματος
10. Σκανδάλη διακόπτης
11. Μαχαίρι πλάνης
12. Πίσω βάση
13. Πόδι
14. Σωληνωτό κλειδί
15. Μπουλόνι
16. Ξεσφίξτε
17. Σφίξτε
18. Μπουλόνια
19. Τύμπανο
20. Κάλυμμα τυμπάνου
21. Πλάκα ρύθμισης
22. Εσωτερικό άκρο της πλάκας μετρητή
23. Άκρο μαχαριού
24. Βίδες
25. Φτέρνα
26. Πίσω πλευρά της βάσης μετρητή
27. Πλάκα μετρητή
28. Βάση μετρητή
29. Βίδα κοίλης κεφαλής
30. Γλωττίδες εντοπισμού μαχαριού πλάνης
31. Φτέρνα ρυθμιζόμενης πλάκας
32. Πλάκα συγκράτησης
33. Εσωτερική πλευρά της πλάκας μετρητή
34. Πίσω πλευρά της βάσης μετρητή
35. Μικρό μαχαίρι πλάνης
36. Εγκοπή
37. Μπουλόνια εξάγ. κεφαλής με φλάντζα
38. Ακροφύσιο
39. Σάκος σκόνης
40. Συνδετήρας
41. Γωνία
42. Αρχή
43. Τέλος
44. Γραμμή κοπής
45. Βίδα
46. Οδηγός άκρου (προαιρετικό αξεσουάρ)
47. Υποδοχή ακονίσματος
48. Παξιμόδι πεταλούδα
49. Μαχαίρι (A)
50. Μαχαίρι (B)
51. Πλευρά (D)
52. Πλευρά (C)
53. Ένδειξη ορίου
54. Καπάκι θήκης ψήκτρας
55. Κατσαβίδι

ΠΡΟΔΙΑΓΡΑΦΕΣ

Μοντέλο	DKP140	DKP180
Πλάτος πλανίσματος	82 mm	
Βάθος πλανίσματος	1,6 mm	2 mm
Βάθος αυλακιών	9 mm	
Ταχύτητα χωρίς φορτίο (min ⁻¹)	15.000	
Ολικό μήκος	329 mm	333 mm
Καθαρό βάρος	3,0 - 3,3 kg	3,2 - 3,5 kg
Ονομαστική τιμή τάσης	D.C. 14,4 V	D.C. 18 V

- Λόγω του συνεχόμενου προγράμματος που εφαρμόζουμε για έρευνα και ανάπτυξη, τα τεχνικά χαρακτηριστικά στο παρόν έντυπο υπόκεινται σε αλλαγή χωρίς προειδοποίηση.
- Τα τεχνικά χαρακτηριστικά ενδέχεται να διαφέρουν ανάλογα με τη χώρα.
- Το βάρος μπορεί να διαφέρει αναλόγως του προσαρτήματος(ων), συμπεριλαμβανομένης της κασέτας μπαταρίας. Ο ελαφρύτερος και ο βαρύτερος συνδυασμός, σύμφωνα με τη Διαδικασία-EPTA 01/2014, εμφανίζονται στον πίνακα.

Ισχύουσα κασέτα μπαταρίας και φορτιστής

Κασέτα μπαταρίας	D.C. 14,4V Μοντέλο	BL1415N/BL1430/BL1430B/BL1440/BL1450/BL1460B
	D.C. 18V Μοντέλο	BL1815N/BL1820/BL1820B/BL1830/BL1830B/BL1840/BL1840B/BL1850/BL1850B/BL1860B
Φορτιστής	DC18RC/DC18RD/DC18RE/DC18SD/DC18SE/DC18SF	

- Μερικές από τις κασέτες μπαταριών και φορτιστές που παρατίθενται παρακάτω μπορεί να μην είναι διαθέσιμες ανάλογα με την περιοχή κατοικίας σας.

ΠΡΟΕΙΔΟΠΟΙΗΣΗ:

- Χρησιμοποιήστε μόνο τις κασέτες μπαταριών και τους φορτιστές που παρατίθενται παρακάτω. Η χρήση άλλων κασετών μπαταριών και φορτιστών μπορεί να προκαλέσει τραυματισμό ή/και φωτιά.

Προοριζόμενη χρήση

Το εργαλείο προορίζεται για πλάνισμα ξύλου.

ENE001-1

Γενικές προειδοποιήσεις ασφαλείας για το ηλεκτρικό εργαλείο

GEA010-2

⚠️ ΠΡΟΕΙΔΟΠΟΙΗΣΗ: Διαβάστε όλες τις προειδοποιήσεις ασφαλείας, οδηγίες, εικονογραφήσεις και προδιαγραφές που παρέχονται με αυτό το ηλεκτρικό εργαλείο. Η μη τήρηση όλων των οδηγιών που αναγράφονται κατωτέρω μπορεί να καταλήξει σε ηλεκτροπληξία, πυρκαγιά ή/και σοβαρό τραυματισμό.

Φυλάξτε όλες τις προειδοποιήσεις και τις οδηγίες για μελλοντική παραπομπή.

Στις προειδοποιήσεις, ο όρος “ηλεκτρικό εργαλείο” αναφέρεται σε ηλεκτρικό εργαλείο που τροφοδοτείται από την κύρια παροχή ηλεκτρικού ρεύματος (με ηλεκτρικό καλώδιο) ή σε ηλεκτρικό εργαλείο που τροφοδοτείται από μπαταρία (χωρίς ηλεκτρικό καλώδιο).

ΠΡΟΕΙΔΟΠΟΙΗΣΕΙΣ ΑΣΦΑΛΕΙΑΣ ΓΙΑ ΤΗ ΦΟΡΗΤΗ ΠΛΑΝΗ

GEB168-1

1. Περιμένετε να σταματήσει ο κόπτης πριν αφήσετε κάτω το εργαλείο. Αν ο κόπτης είναι εκτεθειμένος μπορεί να πιαστεί στην επιφάνεια με αποτέλεσμα πιθανή απώλεια του ελέγχου και σοβαρό τραυματισμό.
2. Να χρησιμοποιείτε σφιγκτήρες ή κάποιο άλλο πρακτικό μέσο για να ασφαλίσετε και να στηρίξετε το τεμάχιο εργασίας σε μια σταθερή πλατφόρμα. Αν κρατάτε το τεμάχιο εργασίας με το χέρι σας ή επάνω στο σώμα σας, αυτό θα είναι ασταθές και μπορεί να χάσετε τον έλεγχο.
3. Δεν πρέπει να αφήνετε ποτέ κουρέλια, πανιά, νήματα, σκονιά και παρόμοια αντικείμενα γύρω από την περιοχή εργασίας.
4. Να αποφεύγετε την κοπή καρφιών. Πριν από τη λειτουργία, να ελέγχετε αν υπάρχουν καρφιά στο τεμάχιο εργασίας και να τα αφαιρείτε όλα αν υπάρχουν.
5. Να χρησιμοποιείτε μόνο αιχμηρές λάμες. Να χειρίζεστε τις λάμες πολύ προσεκτικά.
6. Βεβαιωθείτε ότι τα μπουλονία τοποθέτησης λάμας είναι καλά σφιγμένα πριν από τη λειτουργία.
7. Κρατήστε το εργαλείο σταθερά με τα δύο χέρια.
8. Μην πλησιάζετε τα χέρια σας σε περιστρεφόμενα μέρη.
9. Πριν από τη χρήση του εργαλείου πάνω σε πραγματικό τεμάχιο εργασίας, αφήστε το σε λειτουργία για λίγο. Να προσέχετε για δονήσεις ή κινήσεις που θα μπορούσαν να υποδείξουν κακή τοποθέτηση ή κακή ισορροπία της λάμας.
10. Να βεβαιώνετε ότι η λάμα δεν αμυγιάει το τεμάχιο εργασίας πριν ενεργοποιείτε το διακόπτη λειτουργίας.
11. Περιμένετε έως ότου η λάμα φτάσει στην πλήρη ταχύτητά της πριν κόψετε.

12. Πριν από οποιαδήποτε ρύθμιση, πάντοτε να σβήνετε το εργαλείο και να περιμένετε να σταματήσουν να κινούνται εντελώς οι λάμες.
13. Μην βάζετε ποτέ το δάκτυλό σας κοντά στο στόμιο θραυσμάτων. Το στόμιο μπορεί να φράξει όταν κόβετε νωπό ξύλο. Καθαρίστε τα θραύσματα με μια ξύλινη ράβδο.
14. Μην αφήνετε το εργαλείο σε λειτουργία. Να χειρίζεστε το εργαλείο μόνο όταν το κρατάτε με τα χέρια σας.
15. Να αλλάζετε πάντα και τις δύο λάμες ή καλύμματα στο τύμπανο, διαφορετικά η προκύπτουσα αστάθεια θα προκαλέσει δόνηση και συντόμευση της ζωής του εργαλείου.
16. Να χρησιμοποιείτε μόνο λάμες της Makita που υποδεικνύονται σε αυτό το εγχειρίδιο.
17. Να χρησιμοποιείτε πάντοτε προσωπίδα κατά της σκόνης ή αναπνευστήρα που είναι κατάλληλος για το υλικό και την εφαρμογή σας.

ΦΥΛΑΞΤΕ ΤΙΣ ΟΔΗΓΙΕΣ ΑΥΤΕΣ.

⚠️ ΠΡΟΕΙΔΟΠΟΙΗΣΗ: ΜΗΝ επιτρέψετε στην άνεση ή στην εξοικειωσή σας με το προϊόν (που αποκτήθηκε από επανειλημμένη χρήση) να αντικαταστήσει την αυστηρή τήρηση των κανόνων ασφαλείας του παρόντος εργαλείου. Η ΛΑΝΘΑΣΜΕΝΗ ΧΡΗΣΗ ή η αμέλεια να ακολουθήσετε τους κανόνες ασφαλείας που διατυπώνονται στο παρόν εγχειρίδιο οδηγιών μπορεί να προκαλέσει σοβαρό προσωπικό τραυματισμό.

ΣΗΜΑΝΤΙΚΕΣ ΟΔΗΓΙΕΣ ΑΣΦΑΛΕΙΑΣ ΓΙΑ ΚΑΣΕΤΑ ΜΠΑΤΑΡΙΩΝ

ENC007-12

1. Πριν χρησιμοποιήσετε την μπαταρία, διαβάστε όλες τις οδηγίες και τις ενδείξεις προφύλαξης στο (1) φορητή μπαταρία, (2) την μπαταρία και (3) το προϊόν στο οποίο χρησιμοποιείται η μπαταρία.
2. Μην αποσυρμαρμολογείτε την μπαταρία.
3. Αν ο χρόνος λειτουργίας της μπαταρίας είναι υπερβολικά σύντομος, διακόψτε αμέσως τη λειτουργία. Αν συνεχίσετε, μπορεί να έχει ως αποτέλεσμα τον κίνδυνο υπερθέρμανσης, πιθανών εγκαυμάτων και ακόμη έκρηξης.
4. Αν μπει στα μάτια σας ηλεκτρολύτης, ξεπλύνετε με καθαρό νερό και αναζητήστε αμέσως ιατρική βοήθεια. Μπορεί να χάσετε την όρασή σας.
5. Μην βραχυκυκλώνετε την μπαταρία:
 - (1) Μην αγγίζετε τους ακροδέκτες με αγώγιμο υλικό.
 - (2) Μην αποθηκεύετε την μπαταρία σε δοχείο με άλλα μεταλλικά αντικείμενα, όπως καρφιά, νομίσματα, κτλ.
 - (3) Μην εκθέτετε την μπαταρία σε νερό ή βροχή.
6. Αν βραχυκυκλωθεί η μπαταρία, μπορεί να προκληθεί μεγάλη ροή ηλεκτρικού ρεύματος, υπερθέρμανση, πιθανά εγκαύματα και ακόμη και καταστροφή της μπαταρίας.
6. Μην αποθηκεύετε το εργαλείο και την μπαταρία σε μέρη όπου η θερμοκρασία μπορεί να φτάσει ή να ξεπεράσει τους 50°C (122°F).

- Μην αποφερώνετε την μπαταρία ακόμη κι αν παρουσιάζει σοβαρή ζημιά ή είναι εντελώς φθαρμένη. Η μπαταρία μπορεί να εκραγεί σε φωτιά.
- Να προσέχετε να μη σας πέσει η μπαταρία και να μη συγκρουστεί με κάποιο αντικείμενο.
- Μη χρησιμοποιείτε μια μπαταρία που έχει υποστεί βλάβη.
- Οι μπαταρίες ιόντων λιθίου που περιέχονται υπόκεινται στις απαιτήσεις της νομοθεσίας για επικίνδυνα αγαθά.

Για εμπορικές μεταφορές, για παράδειγμα από τρίτα μέρη, πρέπει να τηρούνται οι διαμεταφορές, οι ειδικές απαιτήσεις στη συσκευασία και η επισήμανση.

Για προετοιμασία του στοιχείου που αποστέλλεται, είναι απαραίτητο να συμβουλευτείτε έναν ειδικό για επικίνδυνα υλικά. Επίσης, τηρήστε τους πιθανούς, πιο αναλυτικούς εθνικούς κανονισμούς.

Καλύψτε με αυτοκόλλητη ταινία ή κρύψτε τις ανοικτές επαφές και συσκευάστε την μπαταρία με τρόπο που να μην μπορεί να μετακινείται μέσα στη συσκευασία.

- Ακολουθήστε τους τοπικούς κανονισμούς σχετικά με την απόρριψη της μπαταρίας.
- Χρησιμοποιείτε τις μπαταρίες μόνο με τα προϊόντα που καθορίζει η Makita. Η τοποθέτηση των μπαταριών σε μη συμμορφούμενα προϊόντα μπορεί να προκαλέσει πυρκαγιά, υπερβολική ζέση, έκρηξη ή διαρροή ηλεκτρολύτη.

ΦΥΛΑΞΤΕ ΑΥΤΕΣ ΤΙΣ ΟΔΗΓΙΕΣ.

⚠ ΠΡΟΣΟΧΗ: Να χρησιμοποιείτε μόνο γνήσιες μπαταρίες της Makita.

Η χρήση μη γνήσιων μπαταριών Makita, ή μπαταριών που έχουν τροποποιηθεί, μπορεί να έχει ως αποτέλεσμα τη ρήξη της μπαταρίας, προκαλώντας πυρκαγιά, προσωπικό τραυματισμό και βλάβη. Επίσης, θα ακυρωθεί η εγγύηση της Makita για το εργαλείο και φορτιστή Makita.

Συμβουλές για τη διατήρηση της μέγιστης ζωής της μπαταρίας

- Να φορτίζετε την μπαταρία πριν αποφορτιστεί εντελώς.
Πάντοτε να διακόπτετε τη λειτουργία του εργαλείου και να φορτίζετε την μπαταρία όταν παρατηρείται μείωμένη ισχύ του εργαλείου.
- Ποτέ μην επαναφορτίζετε μια πλήρως φορτισμένη μπαταρία.
Αν υπερφορτίσετε την μπαταρία, μειώνεται η ωφέλιμη διάρκεια ζωής της.
- Να φορτίζετε την μπαταρία σε θερμοκρασία δωμάτιου, δηλαδή στους 10°C έως 40°C (50°F έως 104°F). Αν η μπαταρία είναι θερμή, αφήστε την να ψυχθεί πριν τη φορτίσετε.
- Φορτίστε την κασέτα μπαταρίας εάν δεν πρόκειται να την χρησιμοποιήσετε για περισσότερους από έξι μήνες.

ΠΕΡΙΓΡΑΦΗ ΛΕΙΤΟΥΡΓΙΑΣ

⚠ ΠΡΟΣΟΧΗ:

- Να βεβαιώνετε πάντοτε ότι έχετε σβήσει το εργαλείο και έχετε βγάλει την μπαταρία πριν ρυθμίσετε ή ελέγξετε κάποια λειτουργία του εργαλείου.






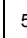

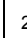





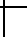

Τοποθέτηση ή αφαίρεση της κασέτας μπαταρίας (Εικ. 1)

- Πάντοτε να απενεργοποιείτε το εργαλείο πριν από την τοποθέτηση ή την αφαίρεση της κασέτας μπαταρίας.
- Για να βγάλετε την κασέτα μπαταρίας, σύρετε την από το εργαλείο ολισθαίνοντας το κουμπί στο μπροστινό μέρος της κασέτας.
- Για να τοποθετήσετε την κασέτα μπαταρίας, ευθυγραμμίστε τη γλωττίδα της κασέτας μπαταρίας με την εγκοπή στο περίβλημα και ολισθήστε τη στη θέση της. Πάντοτε να την τοποθετείτε έως το τέρμα, δηλαδή έως όπου ασφαρίζει στη θέση και ακουστεί ένας χαρακτηριστικός ήχος "κλικ". Αν μπορείτε να δείτε την κόκκινη ένδειξη στην πάνω πλευρά του κουμπιού, η μπαταρία δεν είναι πλήρως ασφαλισμένη. Τοποθετήστε την πλήρως για να μη φαίνεται η κόκκινη ένδειξη. Σε αντίθετη περίπτωση, μπορεί να πέσει κατά λάθος από το εργαλείο και να τραυματίσει εσάς ή κάποιον παρευρισκόμενο.
- Να μη χρησιμοποιείτε δύναμη όταν τοποθετείτε την κασέτα μπαταρίας. Αν η κασέτα δεν ολισθαίνει με ευκολία, δεν την εισήγατε σωστά.

Ένδειξη της εναπομένουσας χωρητικότητας της μπαταρίας

Μόνο για κασέτες μπαταρίας με την ενδεικτική λυχνία (Εικ. 2)

Πίστετε το κουμπί ελέγχου στην κασέτα μπαταριών για να υποδείξετε την υπολειπόμενη χωρητικότητα μπαταρίας. Οι ενδεικτικές λυχνίες ανάβουν για λίγα δευτερόλεπτα.

Ενδεικτικές λυχνίες			Εναπομένουσα χωρητικότητα
 Αναμμένες	 Σβηστές	 Αναβοσβήνουν	
			75% έως 100%
			50% έως 75%
			25% έως 50%
			0% έως 25%
			Φορτίστε τη μπαταρία.
			Η μπαταρία μπορεί να δυσλειτουργεί.

ΣΗΜΕΙΩΣΗ:

- Ανάλογα με τις συνθήκες χρήσης και τη θερμοκρασία περιβάλλοντος, η ένδειξη μπορεί να διαφέρει ελαφρώς από την πραγματική χωρητικότητα.

Σύστημα προστασίας μπαταρίας (Κασέτα μπαταρία με την ένδειξη άστρου) (Εικ. 3)

Η μπαταρία με την ένδειξη άστρου διαθέτει ένα σύστημα προστασίας, το οποίο διακόπτει αυτόματα την παροχή ρεύματος για τη διατήρηση της μακράς διάρκειας ζωής της.

Το εργαλείο σταματά κατά τη λειτουργία όταν το εργαλείο και/ή μπαταρία υποστούν την παρακάτω συνθήκη. Αυτό προκαλείται από την ενεργοποίηση του συστήματος προστασίας και δεν δείχνει ότι το εργαλείο έχει κάποιο πρόβλημα.

- Όταν το εργαλείο είναι υπερφορτωμένο:
Την στιγμή αυτή, ελευθερώστε τη σκανδάλη-διακόπτη, αφαιρέστε την κασέτα μπαταρίας και απομακρύνεται τις αιτίες της υπερφόρτωσης και στη συνέχεια τραβήξτε την σκανδάλη-διακόπτη ξανά για την επανεκκίνηση.
- Όταν ζεσταθούν τα στοιχεία της μπαταρίας:
Εάν γίνει η οποιαδήποτε ενέργεια πάνω στην σκανδάλη-διακόπτη, το μοτέρ θα παραμείνει σταματημένο. Την στιγμή αυτή, σταματήστε τη χρήση του εργαλείου και αφήστε να κρυώσει η μπαταρία ή αντικαταστήστε την μετά την αφαίρεσή της από το εργαλείο.
- Όταν η εναπομείνουσα χωρητικότητα της μπαταρίας είναι χαμηλή:
Εάν γίνει η οποιαδήποτε ενέργεια πάνω στην σκανδάλη-διακόπτη, το μοτέρ θα παραμείνει σταματημένο. Την στιγμή αυτή, αφαιρέστε την κασέτα μπαταρίας από το εργαλείο και φορτίστε την.

Ρύθμιση του βάθους κοπής (Εικ. 4)

Το βάθος κοπής μπορεί να ρυθμιστεί αν περιστρέψετε απλά τη λαβή που βρίσκεται στο μπροστινό μέρος του εργαλείου ώστε ο δείκτης να είναι στραμμένος στο επιθυμητό βάθος κοπής.

Δράση διακόπτη (Εικ. 5)

⚠ ΠΡΟΣΟΧΗ:

- Πριν την τοποθέτηση της μπαταρίας στο εργαλείο, πάντοτε να ελέγχετε ότι η σκανδάλη-διακόπτης ενεργοποιείται κανονικά και επιστρέφει στη θέση "OFF" όταν την αφήνετε.
- Μην τραβάτε το διακόπτη με βία χωρίς να πιέζετε το μοχλό ασφάλισης. Αυτό μπορεί να προκαλέσει το σπάσιμο του διακόπτη.

Για να μην τραβηχτεί ο διακόπτης κατά λάθος, υπάρχει ένας μοχλός ασφάλισης. Για να ξεκινήσετε τη λειτουργία του εργαλείου, ολισθήστε το μοχλό ασφάλισης και τραβήξτε το διακόπτη ταυτόχρονα. Για να σταματήσετε τη συσκευή, αφήστε τη σκανδάλη-διακόπτη.

⚠ ΠΡΟΕΙΔΟΠΟΙΗΣΗ:

- Για την ασφάλεια σας, το εργαλείο αυτό παρέχεται με μοχλό ασφάλισης ο οποίος αποτρέπει την ενεργοποίηση του εργαλείου κατά λάθος. Μη χρησιμοποιείτε ΠΟΤΕ το εργαλείο αν μπορείτε να το θέσετε σε λειτουργία πιέζοντας απλά το διακόπτη, χωρίς να πιέζετε και το μοχλό ασφάλισης. Στείλτε το εργαλείο σε κέντρο εξυπηρέτησης της MAKITA για να το επισκευάσουν σωστά ΠΡΙΝ το χρησιμοποιήσετε ξανά.
- ΠΟΤΕ μην κολλάτε με ταινία στο μοχλό ασφάλισης και μην ακυρώσετε το λόγο ύπαρξης και τη λειτουργία του.

Πόδι (Εικ. 6)

Μετά από μια λειτουργία κοπής, ανυψώστε την πίσω πλευρά του εργαλείου για να εμφανιστεί ένα πόδι κάτω από το επίπεδο της πίσω βάσης. Αυτό εμποδίζει την καταστροφή των μαχαιριών του εργαλείου.

ΣΥΝΑΡΜΟΛΟΓΗΣΗ

⚠ ΠΡΟΣΟΧΗ:

- Να βεβαιώνεστε πάντοτε ότι έχετε σβήσει το εργαλείο και έχετε βγάλει την μπαταρία πριν εκτελέσετε οποιαδήποτε εργασία σε αυτό.

Αφαίρεση ή τοποθέτηση των μαχαιριών της πλάνης

⚠ ΠΡΟΣΟΧΗ:

- Σφίξτε προσεκτικά τα μπουλόνια τοποθέτησης μαχαιριών όταν συνδέετε τα μαχαίρια στο εργαλείο. Ένα χαλαρά τοποθετημένο μπουλόνι μπορεί να είναι επικίνδυνο. Να ελέγχετε πάντα αν αυτά είναι σφιγμένα με ασφάλεια.
- Να χειρίζεστε τα μαχαίρια πολύ προσεκτικά. Χρησιμοποιήστε γάντια ή κουρέλια για να προστατεύσετε τα δάχτυλα ή τα χέρια σας όταν αφαιρείτε ή τοποθετείτε τα μαχαίρια.
- Να χρησιμοποιείτε μόνο το παρεχόμενο κλειδί της Makita για να αφαιρείτε ή να τοποθετείτε τα μαχαίρια. Αν δεν το κάνετε αυτό, μπορεί να έλθει ως αποτέλεσμα το υπερβολικό ή ανεπαρκές σφίξιμο των μπουλονιών τοποθέτησης. Αυτό μπορεί να προκαλέσει τραυματισμό.

Για εργαλείο με συμβατικά μαχαίρια πλάνης (Εικ. 7 - 9)

Για να αφαιρέσετε τα μαχαίρια από το τύμπανο, ξεβιδώστε τα μπουλόνια τοποθέτησης με το κλειδί. Το κάλυμμα του τυμπάνου βγαίνει μαζί με τα μαχαίρια.

Για να τοποθετήσετε τα μαχαίρια, καθαρίστε πρώτα όλα τα θραύσματα ή τα ξένα υλικά που υπάρχουν προσκολλημένα στο τύμπανο ή στα μαχαίρια. Χρησιμοποιήστε μαχαίρια των ίδιων διαστάσεων και του ίδιου βάρους, ειδάρως θα προκληθούν κραδασμοί/δονήσεις στο τύμπανο, που θα έχουν ως αποτέλεσμα την κακή δράση της πλάνης και τελικά την καταστροφή του εργαλείου.

Τοποθετήστε το μαχαίρι στη βάση μετρητή ώστε το άκρο του μαχαριού να είναι τέλεια ευθυγραμμισμένο με το εσωτερικό άκρο της πλάκας μετρητή. Τοποθετήστε τη ρυθμιζόμενη πλάκα στο μαχαίρι και κατόπιν πιέστε απλά τη φτέρνα της ρυθμιζόμενης πλάκας ώστε να είναι ευθυγραμμισμένη με την πίσω πλευρά της βάσης μετρητή και σφίξτε τις δύο βίδες στη ρυθμιζόμενη πλάκα. Τώρα ολισθήστε τη φτέρνα της ρυθμιζόμενης πλάκας στην εγκοπή τυμπάνου και κατόπιν τοποθετήστε το κάλυμμα τυμπάνου επάνω της. Σφίξτε όλα τα μπουλόνια τοποθέτησης ομοιόμορφα και εναλλάξ με το κλειδί. Επαναλάβετε τις παραπάνω διαδικασίες για το άλλο μαχαίρι.

Για εργαλείο με μικρά μαχαίρια πλάνης (Εικ. 10)

1. Αφαιρέστε το υπάρχον μαχαίρι, αν το εργαλείο βρισκόταν σε χρήση, και καθαρίστε προσεκτικά τις επιφάνειες του τυμπάνου και το κάλυμμα τυμπάνου. Για να αφαιρέσετε τα μαχαίρια από το τύμπανο, ξεβιδώστε τα τρία μπουλόνια τοποθέτησης με το κλειδί. Το κάλυμμα του τυμπάνου βγαίνει μαζί με τα μαχαίρια. (Εικ. 11)
2. Για να τοποθετήσετε τα μαχαίρια, προσαρμόστε χαλαρά τη ρυθμιζόμενη πλάκα στην πλάκα συγκράτησης με τις βίδες κοίλης κεφαλής και τοποθετήστε το μικρό μαχαίρι πλάνης στη βάση

μετρητή ώστε το άκρο κοπής του μαχαιριού να είναι τέλεια ευθυγραμμισμένο με την εσωτερική πλευρά της πλάκας μετρητή.

3. Ρυθμίστε τη ρυθμιζόμενη πλάκα/πλάκα συγκράτησης στη βάση μετρητή ώστε οι γλωττίδες εντοπισμού του μαχαιριού της πλάνης στην πλάκα συγκράτησης να ακουμπούν στην εγκοπή του μικρού μαχαιριού της πλάνης και κατόπιν πιέστε προς τα μέσα τη φτέρνα της ρυθμιζόμενης πλάκας ώστε να ευθυγραμμιστεί με την πίσω πλευρά της βάσης μετρητή και σφίξτε τις βίδες κοίλης κεφαλής.
4. Είναι σημαντικό το μαχαίρι να εδράζει ευθυγραμμισμένο με την εσωτερική πλευρά της πλάκας μετρητή, οι γλωττίδες εντοπισμού του μαχαιριού πλάνης να εδράζουν στην εγκοπή μαχαιριού και η φτέρνα της ρυθμιζόμενης πλάκας να είναι ευθυγραμμισμένη με την πίσω πλευρά της βάσης μετρητή. Ελέγξτε αυτήν την ευθυγράμμιση προσεκτικά για να εξασφαλίσετε ομοιόμορφη κοπή.
5. Ολισθήστε τη φτέρνα της ρυθμιζόμενης πλάκας στην εγκοπή του τυμπάνου. **(Εικ. 12)**
6. Ρυθμίστε το κάλυμμα τυμπάνου πάνω από τη ρυθμιζόμενη πλάκα/πλάκα συγκράτησης και βιδώστε τα τρία εξαγωνικά μπουλόνια με κεφαλή φλάντζας ώστε να υπάρχει ένα διάκενο μεταξύ του τυμπάνου και της πλάκας συγκράτησης για να ολισθαίνει το μικρό μαχαίρι πλάνης στη θέση του. Το μαχαίρι θα τοποθετείται από τις γλωττίδες εντοπισμού του μαχαιριού πλάνης στην πλάκα συγκράτησης.
7. Η κατά μήκος ρύθμιση του μαχαιριού θα χρειαστεί να πραγματοποιηθεί χειροκίνητα ώστε τα άκρα του μαχαιριού να είναι ελεύθερα και ισαπέχοντα από το περιβλήμα στη μία πλευρά και από το μεταλλικό βραχίονα στην άλλη πλευρά.
8. Σφίξτε τα τρία εξαγωνικά μπουλόνια με κεφαλή φλάντζας (με το παρεχόμενο κλειδί) και περιστρέψτε το τύμπανο για να ελέγξετε τις αποστάσεις μεταξύ των άκρων του μαχαιριού και του κυρίου σώματος του εργαλείου.
9. Ελέγξτε πόσο σφιγμένα είναι τελικά τα τρία μπουλόνια εξαγωνής με κεφαλή φλάντζας.
10. Επαναλάβετε τις διαδικασίες 1 - 9 για το άλλο μαχαίρι.

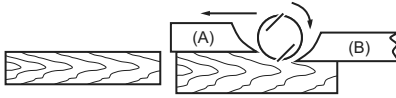
Για τη σωστή ρύθμιση του μαχαιριού πλάνης

Η επιφάνεια πλανίσματός σας θα είναι σκληρή και ανομοιόμορφη, εκτός αν το μαχαίρι είναι ρυθμισμένο σωστά και με ασφάλεια. Το μαχαίρι πρέπει να τοποθετηθεί ώστε το άκρο κοπής να είναι απόλυτα επίπεδο, δηλαδή παράλληλο στην επιφάνεια της πίσω βάσης.

Ανατρέξτε σε μερικά παραδείγματα παρακάτω για τις σωστές και λανθασμένες ρυθμίσεις.

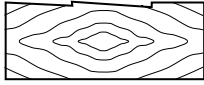
- (Α) Μπροστινή βάση (Κινητό πέλμα)
- (Β) Πίσω βάση (Ακίνητο πέλμα)

Σωστή ρύθμιση



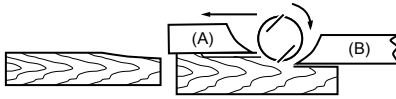
Παρότι δεν απεικονίζονται σε αυτήν την πλάγια όψη, τα άκρα των μαχαiriών κινούνται τελείως παράλληλα στην επιφάνεια της πίσω βάσης.

Χαραγές στην επιφάνεια



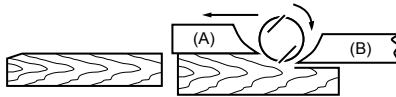
Αιτία: Ένα ή τα δύο μαχαiriά δεν έχουν το άκρο τους παράλληλο στη γραμμή της πίσω βάσης.

Εντομή στην αρχή



Αιτία: Ένα ή και τα δύο άκρα των μαχαiriών δεν προεξέχουν αρκετά σε σχέση με τη γραμμή της πίσω βάσης.

Εντομή στο τέλος



Αιτία: Ένα ή και τα δύο άκρα των μαχαiriών προεξέχουν πολύ σε σχέση με τη γραμμή της πίσω βάσης.

EN0004-1

Σάκος σκόνης (αξεσουάρ) (Εικ. 13)

Για εργαλείο χωρίς ακροφύσιο

Αφαιρέστε το κάλυμμα θραυσμάτων και τοποθετήστε το ακροφύσιο (προαιρετικό αξεσουάρ). Προσαρτήστε τον σάκο σκόνης στο ακροφύσιο. Το ακροφύσιο είναι κωνικό. Όταν προσαρτάτε το σάκο σκόνης, ωθήστε το καλά μέσα στο ακροφύσιο έως το τέρμα για να μην αποκολληθεί κατά τη λειτουργία.

Για εργαλείο με ακροφύσιο

Προσαρτήστε τον σάκο σκόνης στο ακροφύσιο. Το ακροφύσιο είναι κωνικό. Όταν προσαρτάτε το σάκο σκόνης, ωθήστε το καλά μέσα στο ακροφύσιο έως το τέρμα για να μην αποκολληθεί κατά τη λειτουργία.

(Εικ. 14)

Όταν ο σάκος σκόνης είναι μισογεμάτος, βγάλτε το σάκο σκόνης από το εργαλείο και τραβήξτε τον συνδετήρα προς τα έξω. Αδειάστε τα περιεχόμενα του σάκου σκόνης, χτυπώντας τον ελαφριά για να αφαιρέσετε τα σωματίδια που υπάρχουν προσκολλημένα στο εσωτερικό, που ενδεχομένως να εμποδίζουν την περαιτέρω συλλογή.

ΣΗΜΕΙΩΣΗ:

- Αν συνδέσετε μια ηλεκτρική σκούπα της Makita σε αυτό το εργαλείο, μπορείτε να διεξάγετε τις εργασίες πιο αποδοτικά και πιο καθαρά.

Σύνδεση ηλεκτρικής σκούπας (Εικ. 15)

Για εργαλείο χωρίς ακροφύσιο

Όταν θέλετε να εκτελέσετε καθαρά τις εργασίες πλανίσματος, συνδέστε την ηλεκτρική σκούπα της Makita στο εργαλείο που διαθέτετε. Πριν από τη σύνδεση της ηλεκτρικής σκούπας, αφαιρέστε το κάλυμμα θραυσμάτων από το εργαλείο. Κατόπιν συνδέστε τον εύκαμπτο σωλήνα της ηλεκτρικής σκούπας στο ακροφύσιο (προαιρετικό αξεσουάρ) όπως απεικονίζεται στις εικόνες.

Για εργαλείο με ακροφύσιο

Όταν θέλετε να εκτελέσετε εργασίες πλανίσματος καθαρά, συνδέστε την ηλεκτρική σκούπα της Makita στο εργαλείο που διαθέτετε. Κατόπιν συνδέστε τον εύκαμπτο σωλήνα της ηλεκτρικής σκούπας στο ακροφύσιο, όπως απεικονίζεται στις εικόνες.

Γωνία (προαιρετικό αξεσουάρ) (Εικ. 16)

Η χρήση γωνιών επιτρέπει την αλλαγή της κατεύθυνσης αποβολής θραυσμάτων για την εκτέλεση των εργασιών με πιο καθαρό τρόπο.

Για εργαλείο χωρίς ακροφύσιο

Αφαιρέστε το κάλυμμα θραυσμάτων και τοποθετήστε το ακροφύσιο (προαιρετικό αξεσουάρ). Τοποθετήστε τη γωνία (προαιρετικό αξεσουάρ) στο ακροφύσιο του εργαλείου ολισθαίνοντάς την στο εργαλείο. Για να την βγάλετε, απλά τραβήξτε την.

Για εργαλείο με ακροφύσιο

Τοποθετήστε τη γωνία (προαιρετικό αξεσουάρ) στο ακροφύσιο του εργαλείου ολισθαίνοντάς την στο εργαλείο. Για να την βγάλετε, απλά τραβήξτε την.

Καθαρισμός ακροφυσίου

Καθαρίζετε το ακροφύσιο τακτικά.

Χρησιμοποιήστε πεπιεσμένο αέρα για τον καθαρισμό του βουλωμένου ακροφυσίου.

ΛΕΙΤΟΥΡΓΙΑ

Κατά την χρήση του εργαλείου κρατήστε το εργαλείο γερά με το ένα χέρι στο κομβίο και το άλλο χέρι στη λαβή-διακόπτη.

Λειτουργία πλανίσματος (Εικ. 17)

Πρώτα, ακουμπήστε την μπροστινή βάση του εργαλείου επάνω στην επιφάνεια του τεμαχίου εργασίας χωρίς να έρχονται τα μαχαiriά σε επαφή. Ενεργοποιήστε το

εργαλείο και περιμένετε έως ότου τα μαχαίρια να αποκτήσουν την πλήρη ταχύτητά τους. Κατόπιν, κινήστε το εργαλείο σιγά-σιγά μπρος τα μπροστά. Ασκήστε πίεση στο μπροστινό τμήμα του εργαλείου στην αρχή του πλανίσματος και στο πίσω μέρος στο τέλος του πλανίσματος. Το πλάνισμα θα είναι ευκολότερο αν δώσετε κλίση στο τεμάχιο εργασίας με ακίνητο τρόπο, ώστε να πλανίζετε κάπως καταφορικά.

Η ταχύτητα και το βάθος κοπής καθορίζουν το είδος του τελειώματος. Η ηλεκτρική πλάνη συνεχίζει να κόβει με ταχύτητα που δεν θα έχει ως αποτέλεσμα την εμπλοκή λόγω των θραυσμάτων. Για πρόχειρη κοπή, το βάθος της κοπής μπορεί να αυξηθεί, ενώ για ένα καλό τελείωμα θα πρέπει να μειώσετε το βάθος κοπής και να προωθήτε το εργαλείο πιο αργά.

Δημιουργία αυλακιών (ένωση με γκινισιά) (Εικ. 18)

Για να κάνετε μια βηματική κοπή όπως απεικονίζεται στην εικόνα, χρησιμοποιήστε τον οδηγό άκρου (κανόνας οδήγησης) ο οποίος αποκλιμαίνεται ως αξεσουάρ. (Εικ. 19) Σχεδιάστε μια γραμμή κοπής στο τεμάχιο εργασίας.

Τοποθετήστε τον οδηγό άκρου στην οπή στην πρόσοψη του εργαλείου. Ευθυγραμμίστε το άκρο μαχαίριου με τη γραμμή κοπής. (Εικ. 20)

Ρυθμίστε τον οδηγό άκρου έως ότου έρθει σε επαφή με την πλευρά του τεμαχίου εργασίας και στη συνέχεια, σταθεροποιήστε τον σφίγγοντας τη βίδα. (Εικ. 21) Κατά το πλάνισμα, κινήστε το εργαλείο με τον οδηγό άκρου ευθυγραμμισμένο με το πλάνιο μέρος του τεμαχίου εργασίας. Ειδικά, μπορεί να προκύψει ανομοιόμορφο πλάνισμα.

Μέγιστη δημιουργία αυλακιών (ένωση με γκινισιά) βάθος 9 mm. (Εικ. 22)

Ενδεχομένως να επιθυμείτε να αυξήσετε το μήκος του οδηγού προσαρτώντας ένα πρόσθετο κομμάτι ξύλου. Για το σκοπό αυτό παρέχονται βολικές οπές στον οδηγό αλλά και για την προάρθρωση ενός οδηγού προέκτασης (προαιρετικό αξεσουάρ).

Γωνιοτομή (Εικ. 23 και 24)

Για να κάνετε μια γωνιοτομή όπως απεικονίζεται στην εικόνα, ευθυγραμμίστε την εγκοπή σχήματος “V” στην μπροστινή βάση με το άκρο του τεμαχίου εργασίας και πλανίστε.

ΣΥΝΤΗΡΗΣΗ

⚠ ΠΡΟΣΟΧΗ:

- Να βεβαιώνετε πάντοτε ότι έχετε σβήσει το εργαλείο και έχετε βγάλει την κασέτα μπαταρίας πριν εκτελέσετε οποιαδήποτε εργασία ελέγχου ή συντήρησης σε αυτό.
- Μην χρησιμοποιήσετε βενζίνη, βενζόλη, διαλυτικό, αλκοόλη ή κάτι παρόμοιο. Μπορεί να προκληθεί αποχρωματισμός, παραμόρφωση ή ρωγμές.

Ακόνισμα των μαχαίριων πλανίσματος

Μόνο για συμβατικά μαχαίρια (Εικ. 25)

Να διατηρείτε πάντα τα μαχαίρια σας αιχμηρά για να έχετε τη βέλτιστη δυνατή απόδοση. Χρησιμοποιήστε τον υποδοχέα ακόνισματος (προαιρετικό αξεσουάρ) για να αφαιρέσετε χαράνες και να παράγεται ένα καθαρό άκρο. (Εικ. 26)

Πρώτα, χαλαρώστε τα δύο παξιμάδια πεταλούδα στον υποδοχέα και εισάγετε τα μαχαίρια (A) και (B), ώστε να έρχονται σε επαφή με τις πλευρές (C) και (D). Κατόπιν, σφίξτε τα παξιμάδια πεταλούδα. (Εικ. 27) Βυθίστε την πέτρα ακόνισματος σε νερό για 2 ή 3 λεπτά πριν από το ακόνισμα. Κρατήστε τον υποδοχέα ώστε και τα δύο μαχαίρια να έρχονται σε επαφή με την πέτρα ακόνισματος για ταυτόχρονο ακόνισμα στην ίδια γωνία.

Αλλαγή καρβουνακιών (Εικ. 28)

Να αφαιρείτε και να ελέγχετε τακτικά τα καρβουνάκια. Να αντικαθιστάτε τα καρβουνάκια όταν έχουν φθαρεί έως την ένδειξη ορίου. Να διατηρείτε τα καρβουνάκια καθαρά και ελεύθερα για να γλιστρούν στις υποδοχές. Πρέπει να αλλάζετε ταυτόχρονα και τα δύο καρβουνάκια. Να χρησιμοποιείτε μόνο καρβουνάκια ίδιου τύπου. (Εικ. 29) Με τη βοήθεια ενός κατσαβιδιού, βγάλτε τα καπάκια υποδοχής για τα καρβουνάκια. Βγάλτε τα φθαρμένα καρβουνάκια, τοποθετήστε τα καινούργια και ασφαλίστε τα καπάκια υποδοχής για τα καρβουνάκια.

Για να διατηρείται η ΑΣΦΑΛΕΙΑ και η ΑΞΙΟΠΙΣΤΙΑ του προϊόντος, οι εργασίες επισκευής, καθώς και οποιαδήποτε άλλη εργασία συντήρησης ή ρύθμισης, θα πρέπει να εκτελούνται σε εξουσιοδοτημένα κέντρα εξυπηρέτησης της Makita, και πάντοτε με τη χρήση ανταλλακτικών της Makita.

ΠΡΟΑΙΡΕΤΙΚΑ ΑΞΕΣΟΥΑΡ

⚠ ΠΡΟΣΟΧΗ:

- Συνιστάται η χρήση αυτών των αξεσουάρ ή εξαρτημάτων με το εργαλείο της Makita, όπως περιγράφεται στο παρόν εγχειρίδιο. Αν χρησιμοποιήσετε άλλα αξεσουάρ ή εξαρτήματα μπορεί να παρουσιαστεί κίνδυνος για πρόκληση τραυματισμού προσώπων. Να χρησιμοποιείτε τα αξεσουάρ και τα εξαρτήματα μόνο για το σκοπό για τον οποίο προορίζονται.

Αν χρειάζεστε κάποια βοήθεια ή περισσότερες πληροφορίες σχετικά με τα αξεσουάρ αυτά, απευθυνθείτε στο πλησιέστερο κέντρο εξυπηρέτησης της Makita.

- Ατσάλινο μαχαίρι πλάνης για υψηλές ταχύτητες
- Μαχαίρι πλάνης από βολφράμιο-καρβίδιο (για μακρύτερη ζωή μαχαίριου)
- Μικρό μαχαίρι πλάνης
- Συγκρότημα υποδοχής ακόνισματος
- Μετρητή μαχαίριου
- Σετ πλάκας συγκράτησης
- Οδηγός άκρου (Κανόνας οδήγησης)
- Σετ οδηγού προέκτασης
- Πέτρα ακόνισματος
- Ακροφύσιο
- Συγκρότημα σάκου σκόνης
- Γωνία
- Σωληνωτό κλειδί
- Πλαστική θήκη μεταφοράς
- Διάφοροι τύποι γνήσιων μπαταριών και φορτιστών της Makita

ΣΗΜΕΙΩΣΗ:

- Ορισμένα από τα στοιχεία της λίστα μπορεί να περιέχονται στην συσκευασία του εργαλείου ως κανονικά αξεσουάρ. Αυτά ενδέχεται να διαφέρουν από χώρα σε χώρα.

Θόρυβος

ENG905-1

Το σύνθετος σταθμισμένο επίπεδο θορύβου που έχει καθοριστεί σύμφωνα με την EN62841-2-14:

Μοντέλο DKP140

Επίπεδο ηχητικής πίεσης (L_{pA}): 86 dB (A)

Επίπεδο ηχητικής ισχύος (L_{WA}): 97 dB (A)

Αβεβαιότητα (K): 3 dB (A)

Μοντέλο DKP180

Επίπεδο ηχητικής πίεσης (L_{pA}): 87 dB (A)

Επίπεδο ηχητικής ισχύος (L_{WA}): 98 dB (A)

Αβεβαιότητα (K): 3 dB (A)

Να φοράτε ωτοασπίδες.

Δόνηση

ENG900-1

Η συνολική τιμή δόνησης (διανυσματικό άθροισμα τριών αξόνων) που έχει καθοριστεί σύμφωνα με την EN62841-2-14:

Μοντέλο DKP140

Κατάσταση λειτουργίας: πλάνισμα μαλακής ξυλείας

Εκπομπή δόνησης (a_h): 3,5 m/s²

Αβεβαιότητα (K): 1,5 m/s²

Μοντέλο DKP180

Κατάσταση λειτουργίας: πλάνισμα μαλακής ξυλείας

Εκπομπή δόνησης (a_h): 4,5 m/s²

Αβεβαιότητα (K): 1,5 m/s²

ENG901-1

- Η δηλωθείσα τιμή των παραγομένων κραδασμών έχει καταμετρηθεί σύμφωνα με την τυποποιημένη μέθοδο δοκιμασίας και μπορεί να χρησιμοποιηθεί για την σύγκριση ενός εργαλείου με ένα άλλο.
- Η δηλωθείσα τιμή των παραγομένων κραδασμών μπορεί επίσης να χρησιμοποιηθεί για μια προκαταρκτική αξιολόγηση της έκθεσης στους κραδασμούς.

ΠΡΟΕΙΔΟΠΟΙΗΣΗ:

- Η εκπομπή κραδασμών κατά τη διάρκεια της πραγματικής χρήσης του ηλεκτρικού εργαλείου μπορεί να διαφέρει από τη δηλωθείσα τιμή των εκπομπών, ανάλογα με τον τρόπο με τον οποίο χρησιμοποιείται το εργαλείο.
- Φροντίστε να λάβετε τα μέτρα ασφαλείας που απαιτούνται για την προστασία του χρήστη που βασίζονται σε μια εκτίμηση της έκθεσης σε πραγματικές συνθήκες χρήσης (λαμβάνοντας υπόψη όλα τα μέρη του κύκλου λειτουργίας, όπως είναι οι περιπτώσεις κατά τις οποίες το εργαλείο είναι απενεργοποιημένο και όταν λειτουργεί στο ρελαντί επιπροσθέτως του χρόνου κατά τον οποίο το εργαλείο βρίσκεται σε χρήση).

ΕΚ Δήλωση συμμόρφωσης

Για Ευρωπαϊκές χώρες μόνο

Η δήλωση συμμόρφωσης EK περιλαμβάνεται ως παράρτημα Α σε αυτό το εγχειρίδιο οδηγιών.

Makita Europe N.V. Jan-Baptist Vinkstraat 2,
3070 Kortenberg, Belgium

Makita Corporation 3-11-8, Sumiyoshi-cho,
Anjo, Aichi 446-8502 Japan