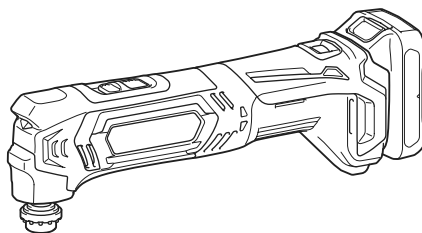
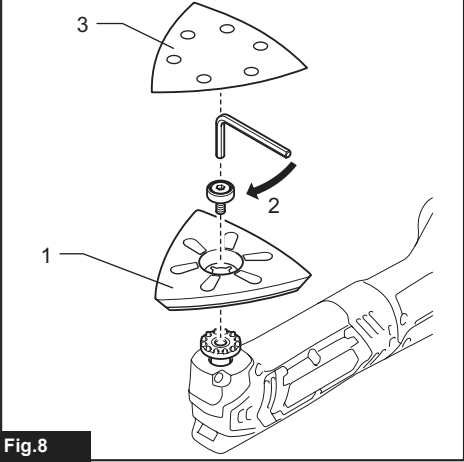
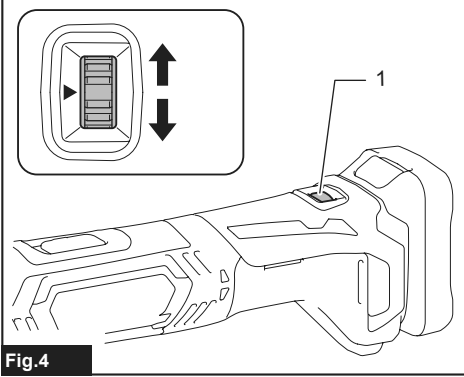
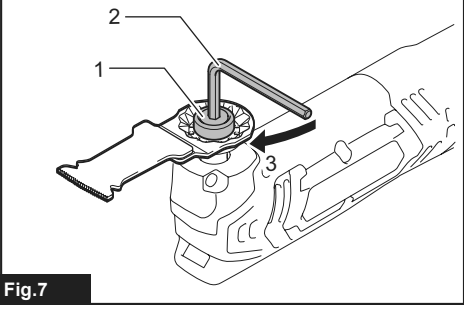
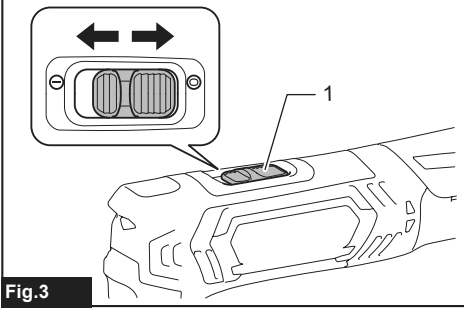
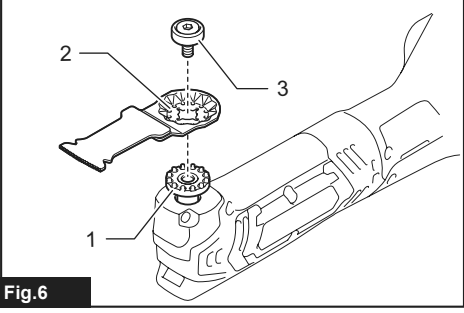
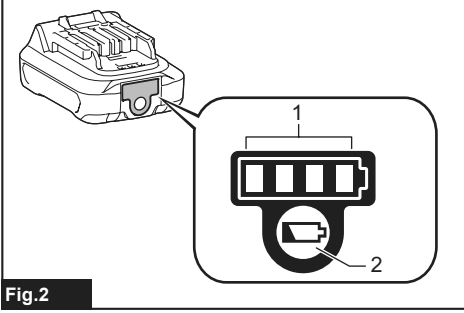
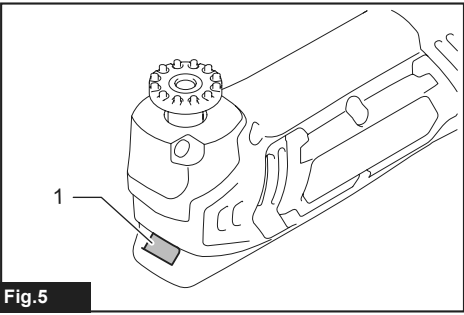
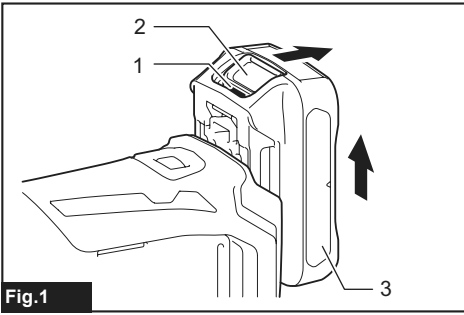




EN	Cordless Multi Tool	INSTRUCTION MANUAL	4
FR	Outil multi-fonctions sans fil	MANUEL D'INSTRUCTIONS	10
DE	Akku-Multifunktions-Werkzeug	BETRIEBSANLEITUNG	16
IT	Utensile multifunzione a batteria	ISTRUZIONI PER L'USO	22
NL	Accumultitool	GEBRUIKSAANWIJZING	28
ES	Multitool Inalámbrica	MANUAL DE INSTRUCCIONES	34
PT	Multicortadora Oscilante a Bateria	MANUAL DE INSTRUÇÕES	40
DA	Akku-multimaskine	BRUGSANVISNING	46
EL	Φορητό πολυεργαλείο	ΕΓΧΕΙΡΙΔΙΟ ΟΔΗΓΙΩΝ	52
TR	Akülü Çok Fonksiyonlu Alet	KULLANMA KILAVUZU	58

TM30D





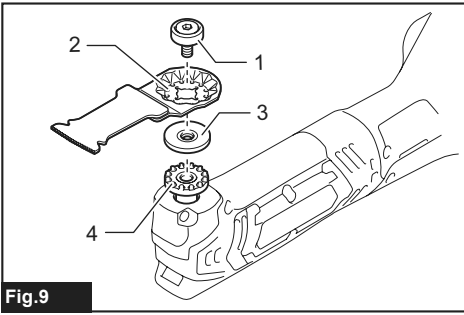


Fig.9

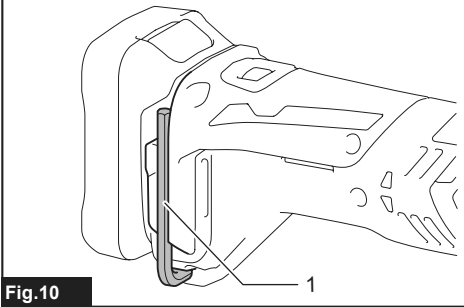


Fig.10

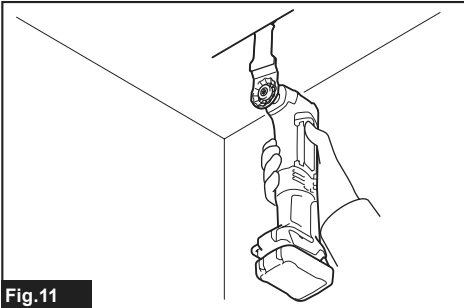


Fig.11

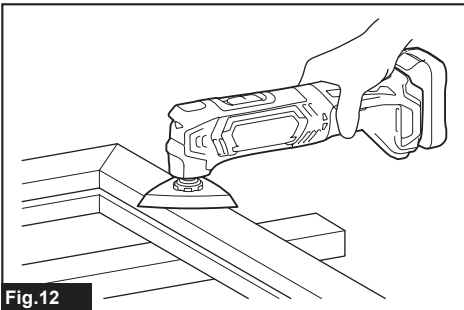


Fig.12

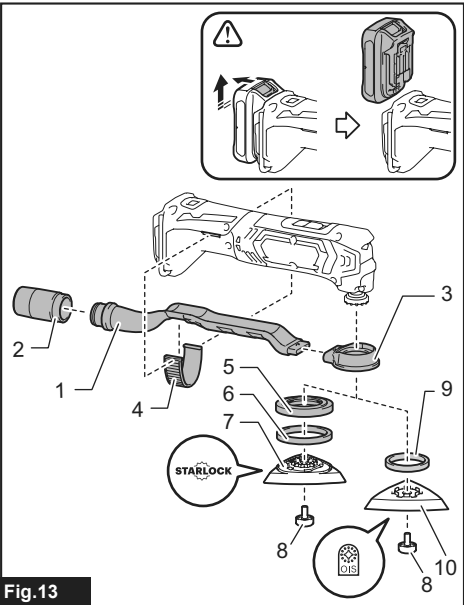


Fig.13

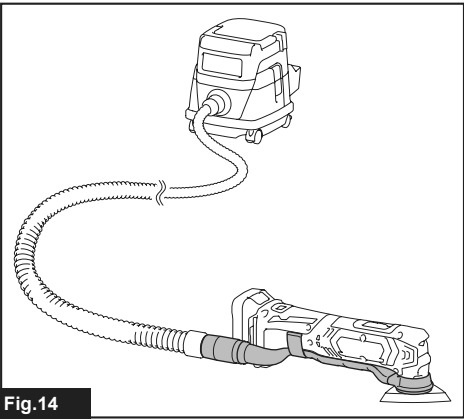


Fig.14

SPECIFICATIONS

Model:	TM30D
Oscillation per minute	6,000 - 20,000 min ⁻¹
Oscillation angle, left/right	1.6° (3.2° total)
Rated voltage	D.C. 10.8 V - 12 V max
Overall length	277 mm - 296 mm
Net weight	1.1 - 1.3 kg

- Due to our continuing program of research and development, the specifications herein are subject to change without notice.
- Specifications may differ from country to country.
- The weight may differ depending on the attachment(s), including the battery cartridge. The lightest and heaviest combination, according to EPTA-Procedure 01/2014, are shown in the table.

Applicable battery cartridge and charger

Battery cartridge	BL1015 / BL1016 / BL1020B / BL1021B / BL1040B / BL1041B
Charger	DC10SA / DC10SB / DC10WC / DC10WD / DC18RE

- Some of the battery cartridges and chargers listed above may not be available depending on your region of residence.

⚠WARNING: Only use the battery cartridges and chargers listed above. Use of any other battery cartridges and chargers may cause injury and/or fire.

Intended use

The tool is intended for sawing and cutting wood, plastic, gypsum, non-ferrous metals, and fastening elements (e. g. unhardened nails and staples). It is also intended for working soft wall tiles, as well as dry sanding and scraping of small surfaces. It is especially for working close to edge and flush cutting.

Noise

The typical A-weighted noise level determined according to EN62841:

Work mode: Sanding

Sound pressure level (L_{pA}): 75 dB(A)

Uncertainty (K): 3 dB(A)

The noise level under working may exceed 80 dB (A).

Work mode: Cutting with plunge cut saw blade

Sound pressure level (L_{pA}): 82 dB(A)

Sound power level (L_{WA}): 93 dB (A)

Uncertainty (K): 3 dB(A)

Work mode: Cutting with segmental saw blade

Sound pressure level (L_{pA}): 81 dB(A)

Sound power level (L_{WA}): 92 dB(A)

Uncertainty (K): 3 dB(A)

Work mode: Scraping

Sound pressure level (L_{pA}): 81 dB(A)

Sound power level (L_{WA}): 92 dB (A)

Uncertainty (K): 3 dB(A)

NOTE: The declared noise emission value(s) has been measured in accordance with a standard test method and may be used for comparing one tool with another.

NOTE: The declared noise emission value(s) may also be used in a preliminary assessment of exposure.

⚠WARNING: Wear ear protection.

⚠WARNING: The noise emission during actual use of the power tool can differ from the declared value(s) depending on the ways in which the tool is used especially what kind of workpiece is processed.

⚠WARNING: Be sure to identify safety measures to protect the operator that are based on an estimation of exposure in the actual conditions of use (taking account of all parts of the operating cycle such as the times when the tool is switched off and when it is running idle in addition to the trigger time).

Vibration

The vibration total value (tri-axial vector sum) determined according to EN62841:

Work mode: Sanding

Vibration emission (a_h): 2.5 m/s² or less

Uncertainty (K): 1.5 m/s²

Work mode: Cutting with plunge cut saw blade

Vibration emission (a_h): 10.5 m/s²

Uncertainty (K): 1.5 m/s²

Work mode: Cutting with segmental saw blade

Vibration emission (a_n): 5.5 m/s²

Uncertainty (K): 1.5 m/s²

Work mode: Scraping

Vibration emission (a_n): 9.0 m/s²

Uncertainty (K): 1.5 m/s²

NOTE: The declared vibration total value(s) has been measured in accordance with a standard test method and may be used for comparing one tool with another.

NOTE: The declared vibration total value(s) may also be used in a preliminary assessment of exposure.

⚠ WARNING: The vibration emission during actual use of the power tool can differ from the declared value(s) depending on the ways in which the tool is used especially what kind of workpiece is processed.

⚠ WARNING: Be sure to identify safety measures to protect the operator that are based on an estimation of exposure in the actual conditions of use (taking account of all parts of the operating cycle such as the times when the tool is switched off and when it is running idle in addition to the trigger time).

EC Declaration of Conformity

For European countries only

The EC declaration of conformity is included as Annex A to this instruction manual.

SAFETY WARNINGS

General power tool safety warnings

⚠ WARNING: Read all safety warnings, instructions, illustrations and specifications provided with this power tool. Failure to follow all instructions listed below may result in electric shock, fire and/or serious injury.

Save all warnings and instructions for future reference.

The term "power tool" in the warnings refers to your mains-operated (corded) power tool or battery-operated (cordless) power tool.

Cordless multi tool safety warnings

- This power tool is intended to function for sawing, cutting, grinding and sanding. Read all safety warnings, instructions, illustrations and specifications provided with this power tool.** Failure to follow all instructions listed below may result in electric shock, fire and/or serious injury.
- Hold power tool by insulated gripping surfaces, when performing an operation where the cutting accessory may contact hidden wiring.** Cutting accessory contacting a "live" wire may make exposed metal parts of the power tool "live" and could give the operator an electric shock.
- Use clamps or another practical way to secure and support the workpiece to a stable platform.** Holding the work by hand or against your body leaves it unstable and may lead to loss of control.
- Always use safety glasses or goggles. Ordinary eye or sun glasses are NOT safety glasses.**
- Avoid cutting nails. Inspect workpiece for any nails and remove them before operation.**
- Hold the tool firmly.**
- Make sure the application tool is not contacting the workpiece before the switch is turned on.**
- Keep hands away from moving parts.**
- Do not leave the tool running. Operate the tool only when hand-held.**
- Always switch off and wait for the blade to come to a complete stop before removing the blade from the workpiece.**
- Do not touch the application tool or the workpiece immediately after operation; they may be extremely hot and could burn your skin.**
- Do not operate the tool at no-load unnecessarily.**
- Always use the correct dust mask/respirator for the material and application you are working with.**
- Some material contains chemicals which may be toxic. Take caution to prevent dust inhalation and skin contact. Follow material supplier safety data.**
- This tool has not been waterproofed, so do not use water on the workpiece surface.**
- Ventilate your work area adequately when you perform sanding operations.**
- Use of this tool to sand some products, paints and wood could expose user to dust containing hazardous substances. Use appropriate respiratory protection.**
- Be sure that there are no cracks or breakage on the pad before use. Cracks or breakage may cause a personal injury.**
- Do not use accessories which are not specifically designed and recommended by the tool manufacturer. Just because the accessory can be attached to your power tool, it does not assure safe operation.**
- Wear personal protective equipment. Depending on application, use face shield, safety goggles or safety glasses. As appropriate, wear hearing protectors, gloves and workshop apron capable of stopping small abrasive or workpiece fragments.** The eye protection must be capable of stopping flying debris generated by various operations. The dust mask or respirator must be capable of filtering particles generated by your operation. Prolonged exposure to high intensity noise may cause hearing loss.
- Keep bystanders a safe distance away from work area. Anyone entering the work area must wear personal protective equipment.** Fragments of workpiece or of a broken accessory may fly away and cause injury beyond immediate area of operation.

22. **Never lay the power tool down until the accessory has come to a complete stop.** The spinning accessory may grab the surface and pull the power tool out of your control.
23. **Do not run the power tool while carrying it at your side.** Accidental contact with the accessory could snag your clothing, pulling the accessory into your body.
24. **Do not operate the power tool near flammable materials.** Sparks could ignite these materials.
25. **Do not use accessories that require liquid coolants.** Using water or other liquid coolants may result in electrocution or shock.
26. **Always be sure that the tool is switched off and unplugged or that the battery cartridge is removed before carrying out any work on the tool.**
27. **Always be sure you have a firm footing. Be sure no one is below when using the tool in high locations.**
9. **Do not use a damaged battery.**
10. **The contained lithium-ion batteries are subject to the Dangerous Goods Legislation requirements.**
For commercial transports e.g. by third parties, forwarding agents, special requirement on packaging and labeling must be observed.
For preparation of the item being shipped, consulting an expert for hazardous material is required. Please also observe possibly more detailed national regulations.
Tape or mask off open contacts and pack up the battery in such a manner that it cannot move around in the packaging.
11. **Follow your local regulations relating to disposal of battery.**
12. **Use the batteries only with the products specified by Makita.** Installing the batteries to non-compliant products may result in a fire, excessive heat, explosion, or leak of electrolyte.

SAVE THESE INSTRUCTIONS.

⚠WARNING: DO NOT let comfort or familiarity with product (gained from repeated use) replace strict adherence to safety rules for the subject product. MISUSE or failure to follow the safety rules stated in this instruction manual may cause serious personal injury.

Important safety instructions for battery cartridge

1. Before using battery cartridge, read all instructions and cautionary markings on (1) battery charger, (2) battery, and (3) product using battery.
2. Do not disassemble battery cartridge.
3. If operating time has become excessively shorter, stop operating immediately. It may result in a risk of overheating, possible burns and even an explosion.
4. If electrolyte gets into your eyes, rinse them out with clear water and seek medical attention right away. It may result in loss of your eyesight.
5. **Do not short the battery cartridge:**
 - (1) Do not touch the terminals with any conductive material.
 - (2) Avoid storing battery cartridge in a container with other metal objects such as nails, coins, etc.
 - (3) Do not expose battery cartridge to water or rain.

A battery short can cause a large current flow, overheating, possible burns and even a breakdown.
6. Do not store the tool and battery cartridge in locations where the temperature may reach or exceed 50 °C (122 °F).
7. Do not incinerate the battery cartridge even if it is severely damaged or is completely worn out. The battery cartridge can explode in a fire.
8. Be careful not to drop or strike battery.

SAVE THESE INSTRUCTIONS.

⚠CAUTION: Only use genuine Makita batteries. Use of non-genuine Makita batteries, or batteries that have been altered, may result in the battery bursting causing fires, personal injury and damage. It will also void the Makita warranty for the Makita tool and charger.

Tips for maintaining maximum battery life

1. **Charge the battery cartridge before completely discharged.** Always stop tool operation and charge the battery cartridge when you notice less tool power.
2. **Never recharge a fully charged battery cartridge.** Overcharging shortens the battery service life.
3. **Charge the battery cartridge with room temperature at 10 °C - 40 °C (50 °F - 104 °F).** Let a hot battery cartridge cool down before charging it.

FUNCTIONAL DESCRIPTION

⚠ CAUTION: Always be sure that the tool is switched off and the battery cartridge is removed before adjusting or checking function on the tool.

Installing or removing battery cartridge

⚠ CAUTION: Always switch off the tool before installing or removing of the battery cartridge.

⚠ CAUTION: Hold the tool and the battery cartridge firmly when installing or removing battery cartridge. Failure to hold the tool and the battery cartridge firmly may cause them to slip off your hands and result in damage to the tool and battery cartridge and a personal injury.

► **Fig.1:** 1. Red indicator 2. Button 3. Battery cartridge

To remove the battery cartridge, slide it from the tool while sliding the button on the front of the cartridge.

To install the battery cartridge, align the tongue on the battery cartridge with the groove in the housing and slip it into place. Insert it all the way until it locks in place with a little click. If you can see the red indicator on the upper side of the button, it is not locked completely.

⚠ CAUTION: Always install the battery cartridge fully until the red indicator cannot be seen. If not, it may accidentally fall out of the tool, causing injury to you or someone around you.

⚠ CAUTION: Do not install the battery cartridge forcibly. If the cartridge does not slide in easily, it is not being inserted correctly.

Battery protection system

The tool is equipped with a battery protection system. This system automatically cuts off power to the motor to extend battery life.

The tool will automatically stop during operation if the tool and/or battery are placed under one of the following conditions:

Overloaded:

The tool is operated in a manner that causes it to draw an abnormally high current. In this situation, turn the tool off and stop the application that caused the tool to become overloaded. Then turn the tool on to restart.

If the tool does not start, the battery is overheated. In this situation, let the battery cool before turning the tool on again.

Low battery voltage:

The remaining battery capacity is too low and the tool will not operate. If you turn the tool on, the motor runs again but stops soon. In this situation, remove and recharge the battery.

Indicating the remaining battery capacity

Only for battery cartridges with the indicator

► **Fig.2:** 1. Indicator lamps 2. Check button

Press the check button on the battery cartridge to indicate the remaining battery capacity. The indicator lamps light up for a few seconds.

Indicator lamps		Remaining capacity
Lighted	Off	
■ ■ ■ ■	□	75% to 100%
■ ■ ■ □	□	50% to 75%
■ ■ □ □	□ □	25% to 50%
■ □ □ □	□ □ □ □	0% to 25%

NOTE: Depending on the conditions of use and the ambient temperature, the indication may differ slightly from the actual capacity.

Switch action

⚠ CAUTION: Before installing the battery cartridge into the tool, always check to see that the tool is switched off.

► **Fig.3:** 1. Slide switch

To start the tool, slide the slide switch toward the "I (ON)" position.

To stop the tool, slide the slide switch toward the "O (OFF)" position.

Adjusting the orbital stroke rate

► **Fig.4:** 1. Dial

The orbital stroke rate is adjustable. To change the orbital stroke rate, turn the dial between 1 and 5. The higher the number is, the higher the orbital stroke rate is. Preset the dial to the number suitable for your workpiece.

NOTE: The dial cannot be turned directly from 1 to 5 or from 5 to 1. Forcing the dial may damage the tool. When changing the dial direction, always turn the dial moving it through each intermediate number.

Lighting up the front lamp

⚠ CAUTION: Do not look in the light or see the source of light directly.

► **Fig.5:** 1. Front lamp

Slide the slide switch toward the "I (ON)" position to light up the front lamp. The lamp keeps on lighting while the switch is the "I (ON)" position.

The light automatically goes out after pressing the rear of the slide switch, and then sliding the slide switch toward the "O (OFF)" position.

Overload protection

When the tool is overloaded and temperature of the tool or the battery cartridge reaches a certain level, the front lamp blinks and the tool automatically stops. Remove a cause of overload, and cool down the tool and the battery cartridge to restart.

ASSEMBLY

⚠ CAUTION: Always be sure that the tool is switched off and the battery cartridge is removed before carrying out any work on the tool.

Installing or removing application tool

Optional accessory

⚠ WARNING: Do not install application tool upside down. Installing application tool upside down may damage the tool and cause serious personal injury.

NOTE: Install application tool in the correct direction according to your work. Application tool can be installed at an angle of every 30 degree.

To Install an application tool (optional accessory), put the application tool on the tool flange so that the protrusions of the tool flange fit in the holes in the application tool. Then secure the application tool by tightening the bolt firmly with the hex wrench.

► **Fig.6:** 1. Protrusions of the tool flange 2. Holes in the application tool 3. Application tool installation bolt

► **Fig.7:** 1. Application tool installation bolt 2. Hex wrench 3. Tighten

To remove the application tool, loosen and remove the application tool installation bolt using a hex wrench and then take off the application tool.

When using the tool as a sander, set a sanding paper on the sanding pad (hook and loop fitting). Make sure that their shape and dust extraction holes match each other when setting.

► **Fig.8:** 1. Sanding pad 2. Tighten 3. Sanding paper

To remove the sanding paper, raise its end and peel it off.

When using application tools with a different type of installation section, use a correct adapter (optional accessory).

► **Fig.9:** 1. Application tool installation bolt 2. Holes in the application tool 3. Adapter (required for some application tools) 4. Protrusions of the tool flange

Hex wrench storage

► **Fig.10:** 1. Hex wrench

When not in use, store the hex wrench as shown in the figure to keep it from being lost.

OPERATION

⚠ WARNING: Before starting the tool and during operation, keep your hand and face away from the application tool.

⚠ CAUTION: Do not apply excessive load to the tool which may cause a motor lock and stop the tool.

⚠ CAUTION: Do not operate the tool with pressing the battery cartridge against the tool.

Cutting, sawing and scraping

⚠ CAUTION: Do not move on the tool forcibly in the direction (eg. towards either side) of tool application with no cutting edge. It may damage the tool.

► **Fig.11**

Put the application tool on the workpiece. And then move the tool forward so that the application tool movement does not slow down.

NOTE: Forcing or excessive pressure on the tool may reduce efficiency.

NOTE: Before cutting operation, it is recommended to preset the orbital stroke rate 3 - 5.

Sanding

⚠ CAUTION: Do not reuse a sanding paper used for sanding metal to sand wood.

⚠ CAUTION: Do not use a worn sanding paper or sanding paper without grit.

Apply a sanding paper on the workpiece.

► **Fig.12**

NOTE: Using a test material sample to try is recommendable to determine a correct orbital stroke rate suitable for your work.

NOTE: Use a sanding paper with the same grit until sanding the whole workpiece is completed. Replacing a sanding paper with different grit sanding paper may not get a fine finish.

Dust extraction attachment

Optional accessory

⚠ CAUTION: Do not use the dust extraction attachment when sanding metal. Sucking spark and hot particle results in smoking and ignition.

► **Fig.13:** 1. Joint 2. Nozzle band 3. Dust nozzle 4. Dust attachment 5. Spacer 6. Felt ring (ø 47 mm) 7. Pad (with STARLOCK marking) 8. Application tool installation bolt 9. Felt ring (ø 37 mm) 10. Pad (with OIS marking)

1. Install joint, dust nozzle and dust attachment.
2. Install the nozzle band on the tool so that its protrusions fit in the holes in the tool to secure it.

3. Put the felt ring and the sanding pad on the dust attachment and then secure them with the application tool installation bolt.

To perform cleaner operation, connect a vacuum cleaner to the tool. Connect a hose of vacuum cleaner to the dust extraction attachment (optional accessory).

► Fig.14

MAINTENANCE

⚠ CAUTION: Always be sure that the tool is switched off and the battery cartridge is removed before attempting to perform inspection or maintenance.

NOTICE: Never use gasoline, benzine, thinner, alcohol or the like. Discoloration, deformation or cracks may result.

To maintain product SAFETY and RELIABILITY, repairs, any other maintenance or adjustment should be performed by Makita Authorized or Factory Service Centers, always using Makita replacement parts.

OPTIONAL ACCESSORIES

⚠ CAUTION: These accessories or attachments are recommended for use with your Makita tool specified in this manual. The use of any other accessories or attachments might present a risk of injury to persons. Only use accessory or attachment for its stated purpose.

If you need any assistance for more details regarding these accessories, ask your local Makita Service Center.

- Segment saw blade
- Round saw blade
- Plunge cut saw blade
- Scraper (rigid)
- Scraper (flexible)
- Serrated seg blade
- General joint cutter
- HM remover
- HM seg saw blade
- HM sanding plate
- Diamond seg sawblade
- Sanding pad
- Adapter
- Abrasive paper delta (red / white / black)
- Fleece delta (medium / coarse / without grit)
- Polishing felt delta
- Hex wrench
- Dust extraction attachment
- Makita genuine battery and charger

NOTE: Some items in the list may be included in the tool package as standard accessories. They may differ from country to country.

SPÉCIFICATIONS

Modèle :	TM30D
Oscillations par minute	6 000 - 20 000 min ⁻¹
Angle d'oscillation, gauche/droite	1,6° (3,2° en tout)
Tension nominale	10,8 V - 12 V c.c. max.
Longueur totale	277 mm - 296 mm
Poids net	1,1 - 1,3 kg

- Étant donné l'évolution constante de notre programme de recherche et de développement, les spécifications contenues dans ce manuel sont sujettes à modification sans préavis.
- Les spécifications peuvent varier suivant les pays.
- Le poids peut être différent selon les accessoires, notamment la batterie. Les associations la plus légère et la plus lourde, conformément à la procédure EPTA 01/2014, sont indiquées dans le tableau.

Batterie et chargeur applicables

Batterie	BL1015 / BL1016 / BL1020B / BL1021B / BL1040B / BL1041B
Chargeur	DC10SA / DC10SB / DC10WC / DC10WD / DC18RE

- Certains chargeurs et batteries répertoriés ci-dessus peuvent ne pas être disponibles selon la région où vous résidez.

⚠ AVERTISSEMENT : N'utilisez que les batteries et les chargeurs répertoriés ci-dessus. L'utilisation d'autres batteries et chargeurs peut provoquer des blessures et/ou un incendie.

Utilisations prévues

L'outil est conçu pour scier et couper dans le bois, le plastique, le gypse et les métaux non ferreux, ainsi que pour fixer des éléments (tels qu'agrafes et clous en acier non trempé). Il est aussi conçu pour les travaux sur carrelage mural souple, ainsi que pour le ponçage à sec et le raclage de petites surfaces. Il convient tout particulièrement pour le travail près des bords de la pièce et pour les coupes à ras.

Bruit

Niveau de bruit pondéré A typique, déterminé selon EN62841 :

Mode de travail : Ponçage

Niveau de pression sonore (L_{pA}) : 75 dB (A)

Incertitude (K) : 3 dB (A)

Le niveau de bruit en fonctionnement peut dépasser 80 dB (A).

Mode de travail : Coupe avec une lame de scie pour coupe en plongée

Niveau de pression sonore (L_{pA}) : 82 dB (A)

Niveau de puissance sonore (L_{WA}) : 93 dB (A)

Incertitude (K) : 3 dB (A)

Mode de travail : Coupe avec une lame de scie segmentaire

Niveau de pression sonore (L_{pA}) : 81 dB (A)

Niveau de puissance sonore (L_{WA}) : 92 dB (A)

Incertitude (K) : 3 dB (A)

Mode de travail : Raclage

Niveau de pression sonore (L_{pA}) : 81 dB (A)

Niveau de puissance sonore (L_{WA}) : 92 dB (A)

Incertitude (K) : 3 dB (A)

NOTE : La ou les valeurs d'émission de bruit déclarées ont été mesurées conformément à la méthode de test standard et peuvent être utilisées pour comparer les outils entre eux.

NOTE : La ou les valeurs d'émission de bruit déclarées peuvent aussi être utilisées pour l'évaluation préliminaire de l'exposition.

⚠ AVERTISSEMENT : Portez un serre-tête antibruit.

⚠ AVERTISSEMENT : L'émission de bruit lors de l'usage réel de l'outil électrique peut être différente de la ou des valeurs déclarées, suivant la façon dont l'outil est utilisé, particulièrement selon le type de pièce usinée.

⚠ AVERTISSEMENT : Les mesures de sécurité à prendre pour protéger l'utilisateur doivent être basées sur une estimation de l'exposition dans des conditions réelles d'utilisation (en tenant compte de toutes les composantes du cycle d'utilisation, comme par exemple le moment de sa mise hors tension, lorsqu'il tourne à vide et le moment de son déclenchement).

Vibrations

Valeur totale de vibrations (somme de vecteur triaxial) déterminée selon EN62841 :

Mode de travail : Ponçage

Émission de vibrations (a_h) : 2,5 m/s² ou moins

Incertitude (K) : 1,5 m/s²

Mode de travail : Coupe avec une lame de scie pour coupe en plongée

Émission de vibrations (a_h) : 10,5 m/s²

Incertitude (K) : 1,5 m/s²

Mode de travail : Coupe avec une lame de scie segmentaire

Émission de vibrations (a_h) : 5,5 m/s²

Incertitude (K) : 1,5 m/s²

Mode de travail : Raclage

Émission de vibrations (a_h) : 9,0 m/s²

Incertitude (K) : 1,5 m/s²

NOTE : La ou les valeurs de vibration totales déclarées ont été mesurées conformément à la méthode de test standard et peuvent être utilisées pour comparer les outils entre eux.

NOTE : La ou les valeurs de vibration totales déclarées peuvent aussi être utilisées pour l'évaluation préliminaire de l'exposition.

⚠ AVERTISSEMENT : L'émission de vibrations lors de l'usage réel de l'outil électrique peut être différente de la ou des valeurs déclarées, suivant la façon dont l'outil est utilisé, particulièrement selon le type de pièce usinée.

⚠ AVERTISSEMENT : Les mesures de sécurité à prendre pour protéger l'utilisateur doivent être basées sur une estimation de l'exposition dans des conditions réelles d'utilisation (en tenant compte de toutes les composantes du cycle d'utilisation, comme par exemple le moment de sa mise hors tension, lorsqu'il tourne à vide et le moment de son déclenchement).

Déclaration de conformité CE

Pour les pays européens uniquement

La déclaration de conformité CE est fournie en Annexe A à ce mode d'emploi.

CONSIGNES DE SÉCURITÉ

Consignes de sécurité générales pour outils électriques

⚠ AVERTISSEMENT : Veuillez lire les consignes de sécurité, instructions, illustrations et spécifications qui accompagnent cet outil électrique. Le non-respect de toutes les instructions indiquées ci-dessous peut entraîner une électrocution, un incendie et/ou de graves blessures.

Conservez toutes les mises en garde et instructions pour référence ultérieure.

Le terme « outil électrique » dans les avertissements fait référence à l'outil électrique alimenté par le secteur (avec cordon d'alimentation) ou à l'outil électrique fonctionnant sur batterie (sans cordon d'alimentation).

Consignes de sécurité pour outil multi-fonctions sans fil

1. Cet outil électrique est conçu pour le sciage, la coupe, le meulage et le ponçage. Veuillez lire toutes les consignes de sécurité, instructions, illustrations et spécifications qui accompagnent cet outil électrique. Le non-respect de toutes les instructions indiquées ci-dessous peut entraîner une électrocution, un incendie et/ou de graves blessures.
2. Tenez l'outil électrique par des surfaces de prise isolées lorsque vous effectuez une tâche au cours de laquelle l'accessoire de coupe peut entrer en contact avec des fils cachés. Le contact de l'accessoire de coupe avec un fil sous tension peut transmettre du courant dans les pièces métalliques exposées de l'outil électrique et électrocuter l'utilisateur.
3. Utilisez des dispositifs de serrage ou un autre moyen pratique pour fixer et soutenir la pièce sur une surface stable. La pièce sera instable et vous risquez d'en perdre la maîtrise si vous la tenez dans vos mains ou l'appuyez contre votre corps.
4. Portez toujours des lunettes de sécurité ou des lunettes à coques. Les lunettes ordinaires et les lunettes de soleil NE sont PAS des lunettes de sécurité.
5. Prenez garde aux clous pendant la coupe. Avant de commencer le travail, inspectez la pièce et retirez tous les clous.
6. Tenez l'outil fermement.
7. Assurez-vous que l'accessoire d'application n'est pas en contact avec la pièce avant de mettre le contact.
8. Gardez les mains éloignées des pièces en mouvement.
9. N'abandonnez pas l'outil alors qu'il tourne. Ne faites fonctionner l'outil qu'une fois que vous l'avez bien en main.
10. Avant de retirer la lame de la pièce, mettez toujours l'outil hors tension et attendez que la lame soit complètement immobilisée.
11. Ne touchez ni l'accessoire d'application ni la pièce immédiatement après l'exécution du travail ; ils peuvent être extrêmement chauds et vous brûler la peau.
12. Ne faites pas tourner l'outil à vide inutilement.
13. Portez toujours un masque anti-poussière/un masque filtrant adapté au matériau travaillé et à l'application utilisée.
14. Certains matériaux contiennent des produits chimiques qui peuvent être toxiques. Prenez garde de ne pas avaler la poussière et évitez tout contact avec la peau. Suivez les données de sécurité du fournisseur du matériau.
15. Cet outil n'est pas étanche à l'eau ; n'utilisez pas d'eau sur la surface de la pièce.
16. Aérez bien la zone de travail lorsque vous effectuez un travail de ponçage.
17. L'utilisation de cet outil pour poncer certains produits, peintures et bois peut exposer l'utilisateur à des poussières qui contiennent des substances dangereuses. Utilisez un dispositif de protection respiratoire approprié.

18. Avant l'utilisation, vérifiez l'absence de fissures ou de bris sur le patin. Les fissures ou bris présentent un risque de blessure corporelle.
19. N'utilisez pas d'accessoires qui n'ont pas été conçus spécifiquement et recommandés par le fabricant de l'outil. Le fait qu'un accessoire puisse être fixé à l'outil électrique ne signifie pas qu'il fonctionnera sans danger.
20. Portez un équipement de protection individuelle. Suivant le travail à effectuer, portez un écran facial, des lunettes à coques ou des lunettes de sécurité. Au besoin, portez des protège-tympans, des gants et un tablier de travail pouvant arrêter les particules abrasives ou les fragments de pièce. Les lunettes de sécurité doivent pouvoir arrêter les débris éjectés lors des diverses opérations. Le masque anti-poussière ou le masque filtrant doit pouvoir filtrer les particules générées pendant l'exécution du travail. Une exposition prolongée à un bruit d'intensité élevée peut entraîner une perte auditive.
21. Ne laissez pas les curieux trop approcher de la zone de travail. Toute personne pénétrant dans la zone de travail doit porter un équipement de protection individuelle. Des fragments de la pièce ou d'un accessoire cassé peuvent être éjectés et provoquer des blessures au-delà de la zone de travail immédiate.
22. Assurez-vous que l'accessoire est complètement arrêté avant de poser l'outil électrique. L'accessoire en rotation peut accrocher la surface et projeter l'outil électrique de telle sorte que vous en perdiez la maîtrise.
23. Ne transportez pas l'outil électrique tout en le laissant tourner. En cas de contact accidentel avec l'accessoire, ce dernier risque d'accrocher vos vêtements et d'être entraîné vers votre corps.
24. N'utilisez pas l'outil électrique à proximité de matériaux inflammables. Les étincelles risqueraient d'enflammer ces matériaux.
25. N'utilisez pas d'accessoires nécessitant un liquide de refroidissement. L'utilisation d'eau ou d'un liquide de refroidissement comporte un risque d'électrocution ou de choc électrique.
26. Avant toute intervention sur l'outil, assurez-vous toujours que le contact est coupé, que l'outil est débranché et que la batterie est retirée.
27. Assurez-vous toujours d'avoir une bonne assise. Veillez à ce que personne ne se trouve en dessous de vous quand vous utilisez l'outil en hauteur.

CONSERVEZ CES INSTRUCTIONS.

⚠ AVERTISSEMENT : NE vous laissez PAS tromper (au fil d'une utilisation répétée) par un sentiment d'aisance et de familiarité avec le produit, en négligeant le respect rigoureux des consignes de sécurité qui accompagnent le produit en question. La MAUVAISE UTILISATION de l'outil ou l'ignorance des consignes de sécurité indiquées dans ce mode d'emploi peut entraîner de graves blessures.

Consignes de sécurité importantes pour la batterie

1. Avant d'utiliser la batterie, lisez toutes les instructions et précautions relatives (1) au chargeur de batterie, (2) à la batterie, et (3) au produit utilisant la batterie.
2. Ne démontez pas la batterie.
3. Cessez immédiatement l'utilisation si le temps de fonctionnement devient excessivement court. Il y a risque de surchauffe, de brûlures, voire d'explosion.
4. Si l'électrolyte pénètre dans vos yeux, rincez-les à l'eau claire et consultez immédiatement un médecin. Il y a risque de perte de la vue.
5. Ne court-circuitez pas la batterie :
 - (1) Ne touchez les bornes avec aucun matériau conducteur.
 - (2) Évitez de ranger la batterie dans un conteneur avec d'autres objets métalliques, par exemple des clous, des pièces de monnaie, etc.
 - (3) N'exposez pas la batterie à l'eau ou à la pluie. Un court-circuit de la batterie peut provoquer une intensité de courant élevée, une surchauffe, parfois des brûlures et même une panne.
6. Ne rangez pas l'outil et la batterie dans un endroit où la température risque d'atteindre ou de dépasser 50 °C.
7. Ne jetez pas la batterie au feu même si elle est sérieusement endommagée ou complètement épuisée. La batterie peut exploser au contact du feu.
8. Évitez de laisser tomber ou de cogner la batterie.
9. N'utilisez pas la batterie si elle est endommagée.
10. Les batteries au lithium-ion contenues sont soumises aux exigences de la législation sur les marchandises dangereuses.

Lors du transport commercial par des tierces parties ou des transitaires par exemple, des exigences spécifiques en matière d'étiquetage et d'emballage doivent être respectées. Pour la préparation de l'article expédié, il est nécessaire de consulter un expert en matériau dangereux. Veuillez également respecter les réglementations nationales susceptibles d'être plus détaillées.

Recouvrez les contacts exposés avec du ruban adhésif ou du ruban de masquage et emballez la batterie de telle sorte qu'elle ne puisse pas bouger dans l'emballage.
11. Suivez les réglementations locales en matière de mise au rebut des batteries.
12. Utilisez les batteries uniquement avec les produits spécifiés par Makita. L'insertion de batteries dans des produits non conformes peut provoquer un incendie, une chaleur excessive, une explosion ou une fuite de l'électrolyte.

CONSERVEZ CES INSTRUCTIONS.

⚠ ATTENTION : N'utilisez que des batteries Makita d'origine. L'utilisation de batteries de marque autre que Makita ou de batteries modifiées peut provoquer l'explosion des batteries, ce qui présente un risque d'incendie, de dommages matériels et corporels. Cela annulera également la garantie Makita pour l'outil et le chargeur Makita.

Conseils pour assurer la durée de vie optimale de la batterie

1. Chargez la batterie avant qu'elle ne soit complètement déchargée. Arrêtez toujours l'outil et rechargez la batterie quand vous remarquez que la puissance de l'outil diminue.
2. Ne rechargez jamais une batterie complètement chargée. La surcharge réduit la durée de service de la batterie.
3. Chargez la batterie à une température ambiante comprise entre 10 °C et 40 °C. Avant de charger une batterie chaude, laissez-la refroidir.

DESCRIPTION DU FONCTIONNEMENT

⚠ ATTENTION : Assurez-vous toujours que l'outil est hors tension et que sa batterie est retirée avant de l'ajuster ou de vérifier son fonctionnement.

Insertion ou retrait de la batterie

⚠ ATTENTION : Éteignez toujours l'outil avant de mettre en place ou de retirer la batterie.

⚠ ATTENTION : Tenez fermement l'outil et la batterie lors de la mise en place ou du retrait de la batterie. Si vous ne tenez pas fermement l'outil et la batterie, ils peuvent vous glisser des mains, et s'abîmer ou vous blesser.

► Fig.1: 1. Voyant rouge 2. Bouton 3. Batterie

Pour retirer la batterie, faites-la glisser hors de l'outil tout en faisant glisser le bouton à l'avant de la batterie.

Pour mettre en place la batterie, alignez la languette sur la batterie avec la rainure sur le compartiment et insérez-la. Insérez-la à fond jusqu'à ce qu'un léger déclic se fasse entendre. Si le voyant rouge sur le dessus du bouton est visible, cela signifie qu'elle n'est pas bien verrouillée.

⚠ ATTENTION : Insérez toujours complètement la batterie jusqu'à ce que le voyant rouge ne soit plus visible. Sinon, elle pourrait tomber accidentellement de l'outil, au risque de vous blesser ou de blesser quelqu'un se trouvant près de vous.

⚠ ATTENTION : N'insérez pas la batterie de force. Si elle ne glisse pas facilement, c'est que vous ne l'insérez pas correctement.

Système de protection de la batterie

L'outil est équipé d'un système de protection de la batterie. Ce système coupe automatiquement le courant de l'outil pour prolonger la durée de service de la batterie.

L'outil s'arrêtera automatiquement en cours d'utilisation si l'outil et/ou la batterie se trouve dans l'une ou l'autre des situations suivantes :

Surcharge :

L'outil est utilisé de manière telle qu'il consomme un courant anormalement élevé.

Dans ce cas, éteignez l'outil et arrêtez la tâche ayant provoqué la surcharge de l'outil. Puis rallumez l'outil pour reprendre la tâche.

Si l'outil ne démarre pas, c'est que la batterie a surchauffé.

Dans ce cas, laissez la batterie refroidir avant de rallumer l'outil.

Faible tension de la batterie :

La charge restante de la batterie est trop faible et l'outil ne fonctionne pas. Si vous mettez l'outil sous tension, le moteur redémarre, mais s'arrête rapidement. Le cas échéant, retirez et rechargez la batterie.

Indication de la charge restante de la batterie

Uniquement pour les batteries avec voyant lumineux

► Fig.2: 1. Témoins 2. Bouton de vérification

Appuyez sur le bouton de vérification sur la batterie pour indiquer la charge restante de la batterie. Les témoins s'allument pendant quelques secondes.

Témoins		Charge restante
Allumé	Éteint	
■ ■ ■ ■	□	75 % à 100 %
■ ■ ■ □	□	50 % à 75 %
■ ■ □ □	□	25 % à 50 %
■ □ □ □	□	0 % à 25 %

NOTE : Selon les conditions d'utilisation et la température ambiante, l'indication peut être légèrement différente de la capacité réelle.

Fonctionnement de la gâchette

⚠ ATTENTION : Avant d'insérer la batterie dans l'outil, assurez-vous toujours que l'outil est hors tension.

► Fig.3: 1. Interrupteur à glissière

Pour démarrer l'outil, faites glisser l'interrupteur à glissière sur la position « I (Marche) ».

Pour arrêter l'outil, faites glisser l'interrupteur à glissière sur la position « O (Arrêt) ».

Réglage du taux de frappe orbitale

► Fig.4: 1. Cadran

Le taux de frappe orbitale est réglable. Pour modifier le taux de frappe orbitale, tournez le cadran sur une valeur de 1 à 5. Plus le numéro est élevé, plus le taux de frappe orbitale sera élevé. Réglez au préalable le cadran sur le numéro qui convient à la pièce.

NOTE : Il n'est pas possible de tourner le cadran d'un seul coup de 1 à 5 ou de 5 à 1. Forcer le cadran peut abîmer l'outil. Lorsque vous changez le sens du cadran, tournez toujours le cadran en l'arrêtant sur chaque numéro intermédiaire.

Allumage de la lampe avant

⚠ ATTENTION : Évitez de regarder directement le faisceau lumineux ou sa source.

► Fig.5: 1. Lampe avant

Faites glisser l'interrupteur à glissière sur la position « I (Marche) » pour allumer la lampe avant. La lampe reste allumée tant que l'interrupteur est sur la position « I (Marche) ».

La lampe s'éteint automatiquement lorsque vous appuyez sur l'arrière de l'interrupteur à glissière, puis le faites glisser vers la position « O (Arrêt) ».

Protection contre la surcharge

En cas de surcharge de l'outil et lorsque la température de l'outil ou de la batterie atteint un certain niveau, la lampe avant clignote et l'outil s'arrête automatiquement. Éliminez la cause de la surcharge et laissez refroidir l'outil et la batterie avant de redémarrer.

ASSEMBLAGE

⚠ ATTENTION : Assurez-vous toujours que l'outil est hors tension et que sa batterie est retirée avant d'effectuer toute tâche dessus.

Pose et dépose de l'accessoire d'application

Accessoire en option

⚠ AVERTISSEMENT : Ne posez pas l'accessoire d'application à l'envers. En posant l'accessoire d'application à l'envers, vous risquez d'abîmer l'outil et de vous blesser grièvement.

NOTE : Posez l'accessoire d'application dans le sens qui convient au travail à effectuer. L'angle de pose de l'accessoire d'application est modifiable par intervalle de 30 degrés.

Pour poser un accessoire d'application (accessoire en option), placez-le sur le flasque de l'outil de sorte que les parties saillantes du flasque de l'outil s'insèrent dans les orifices de l'accessoire d'application. Ensuite, fixez en place l'accessoire d'application en serrant fermement le boulon avec la clé hexagonale.

► Fig.6: 1. Parties saillantes du flasque de l'outil
2. Orifices de l'accessoire d'application
3. Boulon de fixation de l'accessoire d'application

► Fig.7: 1. Boulon de fixation de l'accessoire d'application 2. Clé hexagonale 3. Serrer

Pour déposer l'accessoire d'application, desserrez et retirez le boulon de fixation de l'accessoire d'application au moyen d'une clé hexagonale, puis enlevez l'accessoire d'application.

Si vous utilisez l'outil comme ponceuse, placez un papier abrasif sur le patin de ponçage (fixation auto-agrippante).

Assurez-vous que leur forme et leurs orifices d'extraction de la poussière correspondent.

► Fig.8: 1. Patin de ponçage 2. Serrer 3. Papier abrasif

Pour retirer le papier abrasif, soulevez-le par une extrémité et tirez pour le détacher.

Avec les accessoires d'application dont la section de pose est d'un type différent, utilisez un adaptateur adéquat (accessoire en option).

► Fig.9: 1. Boulon de fixation de l'accessoire d'application 2. Orifices de l'accessoire d'application 3. Adaptateur (nécessaire avec certains accessoires d'application) 4. Parties saillantes du flasque de l'outil

Rangement de la clé hexagonale

► Fig.10: 1. Clé hexagonale

Lorsque vous n'utilisez pas la clé hexagonale, rangez-la tel qu'indiqué sur l'illustration pour éviter de la perdre.

UTILISATION

⚠ AVERTISSEMENT : Avant de démarrer l'outil et pendant son utilisation, gardez les mains et le visage à l'écart de l'accessoire d'application.

⚠ ATTENTION : N'exercez pas une charge excessive sur l'outil, car le moteur risque de se verrouiller et d'arrêter l'outil.

⚠ ATTENTION : N'utilisez pas l'outil en appuyant la batterie contre ce dernier.

Couper, scier et raboter

⚠ ATTENTION : Ne forcez pas l'outil à se déplacer dans le sens (p. ex. vers la gauche ou la droite) où l'accessoire utilisé n'a pas de tranchant. Vous risqueriez d'abîmer l'outil.

► Fig.11

Placez l'accessoire d'application sur la pièce. Déplacez ensuite l'outil vers l'avant à une vitesse telle que l'accessoire d'application ne ralentisse pas.

NOTE : Le travail risque d'être moins efficace si vous forcez l'outil ou exercez une pression excessive.

NOTE : Avant d'effectuer la coupe, il est recommandé de régler le taux de frappe orbitale sur une valeur de 3 à 5.

Ponçage

⚠ ATTENTION : Ne réutilisez pas, sur le bois, un papier abrasif préalablement utilisé pour poncer le métal.

⚠ ATTENTION : N'utilisez pas un papier abrasif usé ou sans grain.

Appliquez un papier abrasif sur la pièce.

► Fig.12

NOTE : Il est préférable de vérifier le taux de frappe orbitale adéquat sur un échantillon du matériau avant de commencer le travail sur la pièce elle-même.

NOTE : Utilisez un papier abrasif du même grain pendant toute la durée du ponçage de la pièce. Vous risquez de ne pas obtenir une belle finition si, en cours de travail, vous remplacez le papier abrasif par un autre de grain différent.

Accessoire extracteur de poussière

Accessoire en option

⚠ATTENTION : N'utilisez pas l'accessoire extracteur de poussière lorsque vous poncez du métal. L'aspiration des étincelles et des particules chaudes entraîne un dégagement de fumée et une combustion.

► **Fig.13:** 1. Joint 2. Collier de raccord 3. Raccord à poussières 4. Fixation de raccord à poussières 5. Entretoise 6. Anneau de feutre (ø 47 mm) 7. Patin (avec marquage STARLOCK) 8. Boulon de fixation de l'accessoire d'application 9. Anneau de feutre (ø 37 mm) 10. Patin (avec marquage OIS)

1. Posez le joint, le raccord à poussières et la fixation de raccord à poussières.

2. Posez le collier de raccord sur l'outil de sorte que ses parties saillantes pénètrent dans les orifices de l'outil pour le maintenir en place.

3. Mettez l'anneau de feutre et le patin de ponçage sur la fixation de raccord à poussières, puis fixez-les avec le boulon de fixation de l'accessoire d'application.

Pour un travail plus propre, raccordez un aspirateur à l'outil. Raccordez le tuyau d'un aspirateur à l'accessoire extracteur de poussière (accessoire en option).

► **Fig.14**

ENTRETIEN

⚠ATTENTION : Assurez-vous toujours que l'outil est hors tension et que la batterie est retirée avant d'y effectuer tout travail d'inspection ou d'entretien.

REMARQUE : N'utilisez jamais d'essence, benzène, diluant, alcool ou autre produit similaire. Cela risquerait de provoquer la décoloration, la déformation ou la fissuration de l'outil.

Pour assurer la SÉCURITÉ et la FIABILITÉ du produit, toute réparation, tout travail d'entretien ou de réglage doivent être effectués par un centre d'entretien Makita agréé, avec des pièces de rechange Makita.

ACCESSOIRES EN OPTION

⚠ATTENTION : Ces accessoires ou pièces complémentaires sont recommandés pour l'utilisation avec l'outil Makita spécifié dans ce mode d'emploi. L'utilisation de tout autre accessoire ou pièce complémentaire peut comporter un risque de blessure. N'utilisez les accessoires ou pièces complémentaires qu'aux fins auxquelles ils ont été conçus.

Pour obtenir plus de détails sur ces accessoires, contactez votre centre d'entretien local Makita.

- Lame de scie segmentaire
- Lame de scie circulaire
- Lame de scie pour coupe en plongée
- Racleur (rigide)
- Racleur (flexible)
- Lame partiellement dentée
- Coupe-joint ordinaire
- Détachant HM
- Lame de scie segmentaire HM
- Plateau ponceur HM
- Lame de scie segmentaire diamantée
- Patin de ponçage
- Adaptateur
- Papier abrasif Delta (rouge/blanc/noir)
- Molleton Delta (grain moyen/grain grossier/sans grain)
- Feutre de polissage Delta
- Clé hexagonale
- Accessoire extracteur de poussière
- Batterie et chargeur Makita d'origine

NOTE : Il se peut que certains éléments de la liste soient compris dans l'emballage de l'outil en tant qu'accessoires standard. Ils peuvent varier d'un pays à l'autre.

TECHNISCHE DATEN

Modell:	TM30D
Schwingungen pro Minute	6.000 - 20.000 min ⁻¹
Pendelwinkel, links/rechts	1,6° (3,2° insgesamt)
Nennspannung	10,8 V - 12 V Gleichstrom
Gesamtlänge	277 mm - 296 mm
Nettogewicht	1,1 - 1,3 kg

- Wir behalten uns vor, Änderungen der technischen Daten im Zuge der Entwicklung und des technischen Fortschritts ohne vorherige Ankündigung vorzunehmen.
- Die technischen Daten können von Land zu Land unterschiedlich sein.
- Das Gewicht kann abhängig von dem Aufsatz (den Aufsätzen), einschließlich des Akkus, unterschiedlich sein. Die leichteste und die schwerste Kombination, gemäß dem EPA-Verfahren 01/2014, sind in der Tabelle angegeben.

Zutreffende Akkus und Ladegeräte

Akku	BL1015 / BL1016 / BL1020B / BL1021B / BL1040B / BL1041B
Ladegerät	DC10SA / DC10SB / DC10WC / DC10WD / DC18RE

- Einige der oben aufgelisteten Akkus und Ladegeräte sind je nach Ihrem Wohngebiet eventuell nicht erhältlich.

⚠️ WARNUNG: Verwenden Sie nur die oben aufgeführten Akkus und Ladegeräte. Bei Verwendung irgendwelcher anderer Akkus und Ladegeräte besteht Verletzungs- und/oder Brandgefahr.

Vorgesehene Verwendung

Das Werkzeug ist zum Sägen und Schneiden von Holz, Kunststoff, Gips, Nicht-Eisen-Metallen und Befestigungselementen (z. B. ungehärtete Nägel und Heftklammern) vorgesehen. Es eignet sich auch zur Bearbeitung von weichen Wandfliesen sowie zum Trockenschleifen und Abschaben von kleinen Oberflächen. Besonders gut eignet es sich für Arbeiten in Kantennähe und bündiges Schneiden.

Geräusch

Typischer A-bewerteter Geräuschpegel ermittelt gemäß EN62841:

Arbeitsmodus: Schleifen

Schalldruckpegel (L_{pA}): 75 dB (A)

Messunsicherheit (K): 3 dB (A)

Der Geräuschpegel kann während des Betriebs 80 dB (A) überschreiten.

Arbeitsmodus: Schneiden mit Tauchschnitt-Sägeblatt

Schalldruckpegel (L_{pA}): 82 dB (A)

Schalleistungspegel (L_{WA}): 93 dB (A)

Messunsicherheit (K): 3 dB (A)

Arbeitsmodus: Schneiden mit Segment-Sägeblatt

Schalldruckpegel (L_{pA}): 81 dB (A)

Schalleistungspegel (L_{WA}): 92 dB (A)

Messunsicherheit (K): 3 dB (A)

Arbeitsmodus: Schaben

Schalldruckpegel (L_{pA}): 81 dB (A)

Schalleistungspegel (L_{WA}): 92 dB (A)

Messunsicherheit (K): 3 dB (A)

HINWEIS: Der (Die) angegebene(n)

Schallemissionswert(e) wurde(n) im Einklang mit der Standardprüfmethode gemessen und kann (können) für den Vergleich zwischen Werkzeugen herangezogen werden.

HINWEIS: Der (Die) angegebene(n)

Schallemissionswert(e) kann (können) auch für eine Vorbewertung des Gefährdungsgrads verwendet werden.

⚠️ WARNUNG: Einen Gehörschutz tragen.

⚠️ WARNUNG: Die Schallemission während der tatsächlichen Benutzung des Elektrowerkzeugs kann je nach der Benutzungsweise des Werkzeugs, und speziell je nach der Art des bearbeiteten Werkstücks, von dem (den) angegebenen Wert(en) abweichen.

⚠️ WARNUNG: Identifizieren Sie Sicherheitsmaßnahmen zum Schutz des Benutzers anhand einer Schätzung des Gefährdungsgrads unter den tatsächlichen Benutzungsbedingungen (unter Berücksichtigung aller Phasen des Arbeitszyklus, wie z. B. Ausschalt- und Leerlaufzeiten des Werkzeugs zusätzlich zur Betriebszeit).

Schwingungen

Schwingungs Gesamtwert (Drei-Achsen-Vektorsumme) ermittelt gemäß EN62841:

Arbeitsmodus: Schleifen

Schwingungsemission (a_h): 2,5 m/s² oder weniger

Messunsicherheit (K): 1,5 m/s²

Arbeitsmodus: Schneiden mit Tauchschnitt-Sägeblatt

Schwingungsemission (a_h): 10,5 m/s²

Messunsicherheit (K): 1,5 m/s²

Arbeitsmodus: Schneiden mit Segment-Sägeblatt

Schwingungsemission (a_h): 5,5 m/s²

Messunsicherheit (K): 1,5 m/s²

Arbeitsmodus: Schaben

Schwingungsemission (a_h): 9,0 m/s²

Messunsicherheit (K): 1,5 m/s²

HINWEIS: Der (Die) angegebene(n) Vibrationsgesamtwert(e) wurde(n) im Einklang mit der Standardprüfmethode gemessen und kann (können) für den Vergleich zwischen Werkzeugen herangezogen werden.

HINWEIS: Der (Die) angegebene(n) Vibrationsgesamtwert(e) kann (können) auch für eine Vorbewertung des Gefährdungsgrads verwendet werden.

⚠️ WARNUNG: Die Vibrationsemission während der tatsächlichen Benutzung des Elektrowerkzeugs kann je nach der Benutzungsweise des Werkzeugs, und speziell je nach der Art des bearbeiteten Werkstücks, von dem (den) angegebenen Emissionswert(en) abweichen.

⚠️ WARNUNG: Identifizieren Sie Sicherheitsmaßnahmen zum Schutz des Benutzers anhand einer Schätzung des Gefährdungsgrads unter den tatsächlichen Benutzungsbedingungen (unter Berücksichtigung aller Phasen des Arbeitszyklus, wie z. B. Ausschalt- und Leerlaufzeiten des Werkzeugs zusätzlich zur Betriebszeit).

EG-Konformitätserklärung

Nur für europäische Länder

Die EG-Konformitätserklärung ist als Anhang A in dieser Bedienungsanleitung enthalten.

SICHERHEITSWARNUNGEN

Allgemeine Sicherheitswarnungen für Elektrowerkzeuge

⚠️ WARNUNG: Lesen Sie alle mit diesem Elektrowerkzeug gelieferten Sicherheitswarnungen, Anweisungen, Abbildungen und technischen Daten durch. Eine Missachtung der unten aufgeführten Anweisungen kann zu einem elektrischen Schlag, Brand und/oder schweren Verletzungen führen.

Bewahren Sie alle Warnungen und Anweisungen für spätere Bezugnahme auf.

Der Ausdruck „Elektrowerkzeug“ in den Warnhinweisen bezieht sich auf Ihr mit Netzstrom (mit Kabel) oder Akku (ohne Kabel) betriebenes Elektrowerkzeug.

Sicherheitswarnungen für Akku-Multifunktions-Werkzeug

1. Dieses Elektrowerkzeug ist zum Sägen, Schneiden, Schmirgeln und Schleifen vorgesehen. Lesen Sie alle mit diesem Elektrowerkzeug gelieferten Sicherheitswarnungen, Anweisungen, Abbildungen und technischen Daten durch. Eine Missachtung aller unten aufgeführten Anweisungen kann zu einem elektrischen Schlag, Brand und/oder schweren Verletzungen führen.
2. Halten Sie das Elektrowerkzeug an den isolierten Griffflächen, wenn Sie Arbeiten ausführen, bei denen die Gefahr besteht, dass das Schneidwerkzeug verborgene Kabel kontaktiert. Bei Kontakt mit einem Strom führenden Kabel können die freiliegenden Metallteile des Elektrowerkzeugs ebenfalls Strom führend werden, so dass der Benutzer einen elektrischen Schlag erleiden kann.
3. Verwenden Sie Klemmen oder eine andere praktische Methode, um das Werkstück auf einer stabilen Unterlage zu sichern und abzustützen. Wenn Sie das Werkstück nur von Hand oder gegen Ihren Körper halten, befindet es sich in einer instabilen Lage, die zum Verlust der Kontrolle führen kann.
4. Tragen Sie stets eine Sicherheits- oder Schutzbrille. Eine gewöhnliche Brille oder Sonnenbrille ist KEIN Ersatz für eine Schutzbrille.
5. Vermeiden Sie das Schneiden von Nägeln. Untersuchen Sie das Werkstück auf etwaige Nägel, und entfernen Sie diese vor der Arbeit.
6. Halten Sie das Werkzeug mit festem Griff.
7. Vergewissern Sie sich vor dem Einschalten des Werkzeugs, dass das Anwendungswerkzeug nicht das Werkstück berührt.
8. Halten Sie die Hände von beweglichen Teilen fern.
9. Lassen Sie das Werkzeug nicht unbeaufsichtigt laufen. Benutzen Sie das Werkzeug nur mit Handhaltung.
10. Schalten Sie das Werkzeug stets aus, und warten Sie, bis das Sägeblatt zum vollständigen Stillstand kommt, bevor Sie das Sägeblatt aus dem Werkstück entfernen.
11. Vermeiden Sie eine Berührung des Anwendungswerkzeugs oder des Werkstücks unmittelbar nach der Bearbeitung, weil die Teile noch sehr heiß sind und Hautverbrennungen verursachen können.
12. Lassen Sie das Werkzeug nicht unnötig im Leerlauf laufen.
13. Verwenden Sie stets die korrekte Staubschutz- oder Atemmaske für das jeweilige Material und die Anwendung.
14. Manche Materialien können giftige Chemikalien enthalten. Treffen Sie Vorsichtsmaßnahmen, um das Einatmen von Arbeitsstaub und Hautkontakt zu verhüten. Befolgen Sie die Sicherheitsdaten des Materialherstellers.
15. Benetzen Sie die Werkstückoberfläche nicht mit Wasser, weil dieses Werkzeug nicht wasserdicht ist.
16. Sorgen Sie für angemessene Belüftung des Arbeitsbereichs während der Durchführung von Schleifarbeiten.
17. Der Gebrauch dieses Werkzeugs zum Schleifen bestimmter Produkte, Lacke und Holz kann den Benutzer Staub aussetzen, der gefährliche Substanzen enthält. Verwenden Sie einen geeigneten Atemschutz.

18. Vergewissern Sie sich vor dem Gebrauch, dass der Schleifkissen keine Risse oder Brüche aufweist. Risse oder Brüche können Verletzungen verursachen.
19. Verwenden Sie kein Zubehör, das nicht speziell vom Werkzeughersteller vorgesehen ist und empfohlen wird. Die bloße Tatsache, dass ein Zubehörtel an Ihrem Elektrowerkzeug angebracht werden kann, gewährleistet noch keinen sicheren Betrieb.
20. Tragen Sie persönliche Schutzausrüstung. Benutzen Sie je nach der Arbeit einen Gesichtsschutz bzw. eine Sicherheits- oder Schutzbrille. Tragen Sie bei Bedarf Ohrschützer, Handschuhe und eine Arbeitsschürze, die in der Lage ist, kleine Schleifpartikel oder Werkstücksplitter abzuwehren. Der Augenschutz muss in der Lage sein, den bei verschiedenen Arbeiten anfallenden Flugstaub abzuwehren. Die Staubmaske oder Atemschutzmaske muss in der Lage sein, durch die Arbeit erzeugte Partikel herauszufiltern. Lang anhaltende Lärmbelastung kann zu Gehörschäden führen.
21. Halten Sie Umstehende in sicherem Abstand vom Arbeitsbereich. Jeder, der den Arbeitsbereich betritt, muss Schutzausrüstung tragen. Bruchstücke des Werkstücks oder eines beschädigten Zubehörteils können weggeschleudert werden und Verletzungen über den unmittelbaren Arbeitsbereich hinaus verursachen.
22. Legen Sie das Elektrowerkzeug erst ab, nachdem das Zubehörtel zum vollständigen Stillstand gekommen ist. Anderenfalls kann das rotierende Zubehörtel die Oberfläche erfassen und das Elektrowerkzeug aus Ihren Händen reißen.
23. Lassen Sie das Elektrowerkzeug nicht laufen, während Sie es an Ihrer Seite tragen. Das Zubehörtel könnte sonst bei versehentlichem Kontakt Ihre Kleidung erfassen und auf Ihren Körper zu gezogen werden.
24. Betreiben Sie das Elektrowerkzeug nicht in der Nähe von brennbaren Materialien. Funken könnten diese Materialien entzünden.
25. Verwenden Sie keine Zubehörteile, die Kühlflüssigkeiten erfordern. Die Verwendung von Wasser oder anderen Kühlflüssigkeiten kann zu einem Stromtod oder Stromschlag führen.
26. Vergewissern Sie sich vor der Ausführung von Arbeiten an dem Werkzeug stets, dass das Werkzeug ausgeschaltet und vom Stromnetz getrennt bzw. der Akku abgenommen ist.
27. Achten Sie stets auf sicheren Stand. Vergewissern Sie sich bei Einsatz des Werkzeugs an hochgelegenen Arbeitsplätzen, dass sich keine Personen darunter aufhalten.

DIESE ANWEISUNGEN AUFBEWAHREN.

⚠️ WARNUNG: Lassen Sie sich NICHT durch Bequemlichkeit oder Vertrautheit mit dem Produkt (durch wiederholten Gebrauch erworben) von der strikten Einhaltung der Sicherheitsregeln für das vorliegende Produkt abhalten. MISSBRAUCH oder Missachtung der Sicherheitsvorschriften in dieser Anleitung können schwere Personenschäden verursachen.

Wichtige Sicherheitsanweisungen für Akku

1. Lesen Sie vor der Benutzung des Akkus alle Anweisungen und Warnhinweise, die an (1) Ladegerät, (2) Akku und (3) Akkuwerkzeug angebracht sind.
2. Unterlassen Sie ein Zerlegen des Akkus.
3. Falls die Betriebszeit beträchtlich kürzer geworden ist, stellen Sie den Betrieb sofort ein. Anderenfalls besteht die Gefahr von Überhitzung, möglichen Verbrennungen und sogar einer Explosion.
4. Falls Elektrolyt in Ihre Augen gelangt, waschen Sie sie mit sauberem Wasser aus, und begeben Sie sich unverzüglich in ärztliche Behandlung. Anderenfalls können Sie Ihre Sehkraft verlieren.
5. Der Akku darf nicht kurzgeschlossen werden:
 - (1) Die Kontakte dürfen nicht mit leitfähigem Material berührt werden.
 - (2) Lagern Sie den Akku nicht in einem Behälter zusammen mit anderen Metallgegenständen, wie z. B. Nägel, Münzen usw.
 - (3) Setzen Sie den Akku weder Wasser noch Regen aus.

Ein Kurzschluss des Akkus verursacht starken Stromfluss, der Überhitzung, mögliche Verbrennungen und einen Defekt zur Folge haben kann.
6. Lagern Sie das Werkzeug und den Akku nicht an Orten, an denen die Temperatur 50 °C erreichen oder überschreiten kann.
7. Versuchen Sie niemals, den Akku zu verbrennen, selbst wenn er stark beschädigt oder vollkommen verbraucht ist. Der Akku kann im Feuer explodieren.
8. Achten Sie darauf, dass der Akku nicht fallen gelassen oder Stößen ausgesetzt wird.
9. Benutzen Sie keine beschädigten Akkus.
10. Die enthaltenen Lithium-Ionen-Akkus unterliegen den Anforderungen der Gefahrgut-Gesetzgebung. Für kommerzielle Transporte, z. B. durch Dritte oder Spediteure, müssen besondere Anforderungen zu Verpackung und Etikettierung beachtet werden. Zur Vorbereitung des zu transportierenden Artikels ist eine Beratung durch einen Experten für Gefahrgut erforderlich. Bitte beachten Sie möglicherweise ausführlichere nationale Vorschriften. Überleben oder verdecken Sie offene Kontakte, und verpacken Sie den Akku so, dass er sich in der Verpackung nicht umher bewegen kann.
11. Befolgen Sie die örtlichen Bestimmungen bezüglich der Entsorgung von Akkus.
12. Verwenden Sie die Akkus nur mit den von Makita angegebenen Produkten. Das Einsetzen der Akkus in nicht konforme Produkte kann zu einem Brand, übermäßiger Hitzebildung, einer Explosion oder Auslaufen von Elektrolyt führen.

DIESE ANWEISUNGEN AUFBEWAHREN.

⚠️ VORSICHT: Verwenden Sie nur Original-Makita-Akkus. Die Verwendung von Nicht-Original-Makita-Akkus oder von Akkus, die abgeändert worden sind, kann zum Bersten des Akkus und daraus resultierenden Bränden, Personenschäden und Beschädigung führen. Außerdem wird dadurch die Makita-Garantie für das Makita-Werkzeug und -Ladegerät ungültig.

Hinweise zur Aufrechterhaltung der maximalen Akku-Nutzungsdauer

1. Laden Sie den Akku, bevor er vollkommen erschöpft ist. Schalten Sie das Werkzeug stets aus, und laden Sie den Akku, wenn Sie ein Nachlassen der Werkzeugleistung feststellen.
2. Unterlassen Sie erneutes Laden eines voll aufgeladenen Akkus. Überladen führt zu einer Verkürzung der Nutzungsdauer des Akkus.
3. Laden Sie den Akku bei Raumtemperatur zwischen 10 – 40 °C. Lassen Sie einen heißen Akku abkühlen, bevor Sie ihn laden.

FUNKTIONSBESCHREIBUNG

⚠ VORSICHT: Vergewissern Sie sich vor der Durchführung von Einstellungen oder Funktionsprüfungen des Werkzeugs stets, dass das Werkzeug ausgeschaltet und der Akku abgenommen ist.

Anbringen und Abnehmen des Akkus

⚠ VORSICHT: Schalten Sie das Werkzeug stets aus, bevor Sie den Akku anbringen oder abnehmen.

⚠ VORSICHT: Halten Sie das Werkzeug und den Akku beim Anbringen oder Abnehmen des Akkus sicher fest. Wenn Sie das Werkzeug und den Akku nicht sicher festhalten, können sie Ihnen aus der Hand rutschen, was zu einer Beschädigung des Werkzeugs und des Akkus und zu Körperverletzungen führen kann.

► **Abb.1:** 1. Rote Anzeige 2. Knopf 3. Akku

Ziehen Sie den Akku zum Abnehmen vom Werkzeug ab, während Sie den Knopf an der Vorderseite des Akkus verschieben.

Richten Sie zum Anbringen des Akkus dessen Führungsfeder auf die Nut im Gehäuse aus, und schieben Sie den Akku hinein. Schieben Sie ihn vollständig ein, bis er mit einem hörbaren Klicken einrastet. Falls die rote Anzeige an der Oberseite des Knopfes sichtbar ist, ist der Akku nicht vollständig verriegelt.

⚠ VORSICHT: Schieben Sie den Akku stets bis zum Anschlag ein, bis die rote Anzeige nicht mehr sichtbar ist. Anderenfalls kann er aus dem Werkzeug herausfallen und Sie oder umstehende Personen verletzen.

⚠ VORSICHT: Unterlassen Sie Gewaltanwendung beim Anbringen des Akkus. Falls der Akku nicht reibungslos hineingleitet, ist er nicht richtig ausgerichtet.

Akku-Schutzsystem

Das Werkzeug ist mit einem Akku-Schutzsystem ausgestattet. Dieses System schaltet die Stromversorgung des Motors automatisch ab, um die Akku-Lebensdauer zu verlängern.

Das Werkzeug schaltet sich während des Betriebs automatisch ab, wenn Werkzeug und/oder Akku einer der folgenden Bedingungen unterliegen:

Überlastung:

Das Werkzeug wird auf eine Weise benutzt, die eine ungewöhnlich hohe Stromaufnahme bewirkt. Schalten Sie in dieser Situation das Werkzeug aus, und brechen Sie die Arbeit ab, die eine Überlastung des Werkzeugs verursacht hat. Schalten Sie dann das Werkzeug wieder ein, um neu zu starten. Falls das Werkzeug nicht startet, ist der Akku überhitzt. Lassen Sie den Akku in dieser Situation abkühlen, bevor Sie das Werkzeug wieder einschalten.

Niedrige Akkuspannung:

Die Akku-Restkapazität ist zu niedrig, und das Werkzeug funktioniert nicht. Wenn Sie das Werkzeug einschalten, läuft der Motor wieder an, bleibt aber bald darauf stehen. Nehmen Sie in dieser Situation den Akku ab, und laden Sie ihn auf.

Anzeigen der Akku-Restkapazität

Nur für Akkus mit Anzeige

► **Abb.2:** 1. Anzeigelampen 2. Prüftaste

Drücken Sie die Prüftaste am Akku, um die Akku-Restkapazität anzuzeigen. Die Anzeigelampen leuchten wenige Sekunden lang auf.

Anzeigelampen		Restkapazität
Erleuchtet	Aus	
■ ■ ■ ■	□	75% bis 100%
■ ■ ■ □	□	50% bis 75%
■ ■ □ □	□	25% bis 50%
■ □ □ □	□	0% bis 25%

HINWEIS: Abhängig von den Benutzungsbedingungen und der Umgebungstemperatur kann die Anzeige geringfügig von der tatsächlichen Kapazität abweichen.

Schalterfunktion

⚠ VORSICHT: Vergewissern Sie sich vor dem Einsetzen des Akkus in das Werkzeug stets, dass das Werkzeug ausgeschaltet ist.

► **Abb.3:** 1. Schiebeschalter

Zum Einschalten des Werkzeugs den Schiebeschalter auf die Position „I (EIN)“ schieben. Zum Ausschalten des Werkzeugs den Schiebeschalter auf die Position „O (AUS)“ schieben.

Einstellen der Pendelhubzahl

► Abb.4: 1. Einstellrad

Die Pendelhubzahl ist einstellbar. Um die Pendelhubzahl zu ändern, drehen Sie das Einstellrad zwischen 1 und 5. Je höher die Zahl ist, desto höher ist die Pendelhubzahl. Stellen Sie das Einstellrad vor der Arbeit auf die für Ihr Werkstück geeignete Zahl ein.

HINWEIS: Das Einstellrad kann nicht direkt von 1 auf 5 oder von 5 auf 1 gedreht werden. Gewaltames Weiterdrehen des Einstellrads kann zu einer Beschädigung des Werkzeugs führen. Wenn Sie die Drehrichtung des Einstellrads ändern, drehen Sie es immer über alle Zwischenstellungen.

Einschalten der Frontlampe

⚠ VORSICHT: Blicken Sie nicht direkt in die Lampe oder die Lichtquelle.

► Abb.5: 1. Frontlampe

Schieben Sie den Schiebeschalter auf die Position „I (EIN)“, um die Frontlampe einzuschalten. Die Lampe leuchtet, solange der Schalter auf der Position „I (EIN)“ steht. Die Lampe erlischt automatisch, nachdem die Rückseite des Schiebeschalters gedrückt und der Schiebeschalter auf die Position „O (AUS)“ geschoben worden ist.

Überlastschutz

Wenn das Werkzeug überlastet wird und die Temperatur des Werkzeugs oder des Akkus ein bestimmtes Niveau erreicht, blinkt die Frontlampe, und das Werkzeug bleibt automatisch stehen. Beseitigen Sie die Ursache der Überlastung, und lassen Sie das Werkzeug und den Akku abkühlen, bevor Sie den Betrieb fortsetzen.

MONTAGE

⚠ VORSICHT: Vergewissern Sie sich vor der Ausführung von Arbeiten am Werkzeug stets, dass das Werkzeug ausgeschaltet und der Akku abgenommen ist.

Montage oder Demontage des Anwendungswerkzeugs

Sonderzubehör

⚠ WARNUNG: Montieren Sie das Anwendungswerkzeug nicht verkehrt herum. Wird ein Anwendungswerkzeug verkehrt herum montiert, kann dies zu einer Beschädigung des Werkzeugs und zu schweren Personenschäden führen.

HINWEIS: Montieren Sie das Anwendungswerkzeug in der korrekten Richtung entsprechend der anstehenden Arbeit. Das Anwendungswerkzeug kann in Positionen montiert werden, die jeweils um 30 Grad versetzt sind.

Setzen Sie das Anwendungswerkzeug (Sonderzubehör) zur Montage auf den Werkzeugflansch, so dass die Vorsprünge des Werkzeugflansches in die Löcher des Anwendungswerkzeugs passen. Sichern Sie dann das Anwendungswerkzeug, indem Sie die Schraube mit dem Inbusschlüssel festziehen.

► **Abb.6:** 1. Vorsprünge des Werkzeugflansches
2. Löcher im Anwendungswerkzeug
3. Anwendungswerkzeug-Montageschraube

► **Abb.7:** 1. Anwendungswerkzeug-Montageschraube
2. Inbusschlüssel 3. Anziehen

Um das Anwendungswerkzeug zu entfernen, lösen und entfernen Sie die Anwendungswerkzeug-Montageschraube mit einem Inbusschlüssel, und nehmen Sie dann das Anwendungswerkzeug ab.

Wenn Sie das Werkzeug als Schleifmaschine verwenden, legen Sie das Schleifpapier auf das Schleifpad (Befestigung mit Klettverschluss).

Vergewissern Sie sich bei der Anbringung, dass die Form und die Staubabsauglöcher der Teile miteinander übereinstimmen.

► **Abb.8:** 1. Schleifpad 2. Anziehen 3. Schleifpapier

Zum Entfernen des Schleifpapiers heben Sie seine Kante an und ziehen es ab.

Wenn Sie Anwendungswerkzeuge mit einer anderen Art von Installationsteil benutzen, wählen Sie einen korrekten Adapter (Sonderzubehör) aus.

► **Abb.9:** 1. Anwendungswerkzeug-Montageschraube 2. Löcher im Anwendungswerkzeug 3. Adapter (für manche Anwendungswerkzeuge erforderlich)
4. Vorsprünge des Werkzeugflansches

Aufbewahrung des Inbusschlüssels

► **Abb.10:** 1. Inbusschlüssel

Der Inbusschlüssel kann an der in der Abbildung gezeigten Stelle aufbewahrt werden, damit er nicht verloren geht.

BETRIEB

⚠ WARNUNG: Halten Sie Hände und Gesicht vor dem Starten des Werkzeugs und während des Betriebs vom Anwendungswerkzeug fern.

⚠ VORSICHT: Üben Sie keinen übermäßigen Druck auf das Werkzeug aus, weil dies zu Blockieren des Motors und Stehenbleiben des Werkzeugs führen kann.

⚠ VORSICHT: Betreiben Sie das Werkzeug nicht, indem Sie den Akku gegen das Werkzeug drücken.

Schneiden, Sägen und Schaben

⚠ VORSICHT: Bewegen Sie das Werkzeug nicht gewaltsam in die Richtung der Anwendung (z. B. nach beiden Seiten) ohne Schneidkante. Dadurch kann das Werkzeug beschädigt werden.

► **Abb.11**

Setzen Sie das Anwendungswerkzeug auf das Werkstück. Schieben Sie dann das Werkzeug vorwärts, so dass sich die Bewegung des Anwendungswerkzeugs nicht verlangsamt.

HINWEIS: Gewaltames Vorschieben oder übermäßiger Druck auf das Werkzeug können die Arbeitsleistung verringern.

HINWEIS: Vor Beginn von Schneidarbeiten ist es empfehlenswert, die Pendelhubzahl auf 3 - 5 vor einzustellen.

Schleifen

⚠ VORSICHT: Verwenden Sie Schleifpapier, das zum Schleifen von Metall verwendet wurde, nicht zum Schleifen von Holz.

⚠ VORSICHT: Verwenden Sie kein abgenutztes Schleifpapier oder Schleifpapier ohne Körnung.

Bringen Sie das Schleifpapier mit dem Werkstück in Kontakt.

► **Abb.12**

HINWEIS: Eine Schleifprobe an einem Testmaterial ist empfehlenswert, um die für Ihre Arbeit geeignete Pendelhubzahl zu ermitteln.

HINWEIS: Verwenden Sie Schleifpapier mit derselben Körnung, bis das Schleifen des ganzen Werkstücks beendet ist. Wird die Körnung des Schleifpapiers während der Arbeit geändert, erhält man u. U. keine feine Oberflächengüte.

Staubabsaugaufsatz

Sonderzubehör

⚠ VORSICHT: Verwenden Sie den Staubabsaugaufsatz nicht beim Schleifen von Metall. Das Ansaugen von Funken und heißen Partikeln führt zu Rauchentwicklung und Entzündung.

► **Abb.13:** 1. Verbindungsmuffe
2. Absaugstutzenband 3. Absaugstutzen
4. Staubaufsatz 5. Distanzring 6. Filzring (ø 47 mm) 7. Pad (mit STARLOCK-Markierung) 8. Anwendungswerkzeug-Montageschraube 9. Filzring (ø 37 mm) 10. Pad (mit OIS-Markierung)

1. Montieren Sie Verbindungsmuffe, Absaugstutzen und Staubabsaugaufsatz.

2. Montieren Sie das Absaugstutzenband so am Werkzeug, dass seine Vorsprünge in den Löchern des Werkzeugs sitzen, um es zu sichern.

3. Bringen Sie den Filzring und das Schleifpad am Staubabsaugaufsatz an, und sichern Sie dann die Teile mit der Anwendungswerkzeug-Montageschraube.

Um größere Sauberkeit bei der Arbeit zu erzielen, kann ein Sauggerät an das Werkzeug angeschlossen werden. Schließen Sie den Schlauch des Sauggerätes an den Staubabsaugaufsatz (Sonderzubehör) an.

► **Abb.14**

WARTUNG

⚠ VORSICHT: Vergewissern Sie sich vor der Durchführung von Inspektions- oder Wartungsarbeiten stets, dass das Werkzeug ausgeschaltet und der Akku abgenommen ist.

ANMERKUNG: Verwenden Sie auf keinen Fall Benzin, Waschbenzin, Verdünnern, Alkohol oder dergleichen. Solche Mittel können Verfärbung, Verformung oder Rissbildung verursachen.

Um die SICHERHEIT und ZUVERLÄSSIGKEIT dieses Produkts zu gewährleisten, sollten Reparaturen und andere Wartungs- oder Einstellarbeiten nur von Makita-Vertragswerkstätten oder Makita-Kundendienstzentren unter ausschließlicher Verwendung von Makita-Originalersatzteilen ausgeführt werden.

SONDERZUBEHÖR

⚠ VORSICHT: Die folgenden Zubehörteile oder Vorrichtungen werden für den Einsatz mit dem in dieser Anleitung beschriebenen Makita-Werkzeug empfohlen. Die Verwendung anderer Zubehörteile oder Vorrichtungen kann eine Verletzungsgefahr darstellen. Verwenden Sie Zubehörteile oder Vorrichtungen nur für ihren vorgesehenen Zweck.

Wenn Sie weitere Einzelheiten bezüglich dieser Zubehörteile benötigen, wenden Sie sich bitte an Ihre Makita-Kundendienststelle.

- Segment-Sägeblatt
- Rund-Sägeblatt
- Tauchschnitt-Sägeblatt
- Schaber (starr)
- Schaber (flexibel)
- Kerbverzahntes Segment-Sägeblatt
- Allgemeiner Fugenschneider
- HM-Entferner
- HM-Segment-Sägeblatt
- HM-Schleifscheibe
- Diamantsegment-Sägeblatt
- Schleifpad
- Adapter
- Schleifpapier Delta (rot / weiß / schwarz)
- Vlies Delta (mittel / grob / ohne Körnung)
- Polierfilz Delta
- Inbusschlüssel
- Staubabsaugaufsatz
- Original-Makita-Akku und -Ladegerät

HINWEIS: Manche Teile in der Liste können als Standardzubehör im Werkzeugsatz enthalten sein. Sie können von Land zu Land unterschiedlich sein.

DATI TECNICI

Modello:	TM30D
Oscillazioni al minuto	6.000 - 20.000 min ⁻¹
Angolo di oscillazione, verso sinistra/destra	1,6° (3,2° in totale)
Tensione nominale	10,8 V - 12 V CC max
Lunghezza totale	277 mm - 296 mm
Peso netto	1,1 - 1,3 kg

- A causa del nostro programma continuativo di ricerca e sviluppo, i dati tecnici sono soggetti a modifiche senza preavviso.
- I dati tecnici possono variare da nazione a nazione.
- Il peso può variare a seconda dell'accessorio o degli accessori, inclusa la cartuccia della batteria. La combinazione più leggera e quella più pesante, secondo la procedura EPTA 01/2014, sono indicate nella tabella.

Cartuccia della batteria e caricabatterie applicabili

Cartuccia della batteria	BL1015 / BL1016 / BL1020B / BL1021B / BL1040B / BL1041B
Caricabatterie	DC10SA / DC10SB / DC10WC / DC10WD / DC18RE

- Alcune cartucce delle batterie e alcuni caricabatterie elencati sopra potrebbero non essere disponibili a seconda della propria area geografica di residenza.

⚠AVVERTIMENTO: Utilizzare solo le cartucce delle batterie e i caricabatterie elencati sopra. L'utilizzo di altre cartucce delle batterie e di altri caricabatterie potrebbe causare lesioni personali e/o un incendio.

Utilizzo previsto

Questo utensile è progettato per segare e tagliare legno, plastica, gesso, metalli non ferrosi ed elementi di fissaggio (ad es., chiodi e graffette non temprati). L'utensile è progettato anche per la lavorazione di piastrelle delicate per pareti, come pure per la carteggiatura a secco e lo scrostamento di piccole superfici. È progettato soprattutto per la lavorazione in prossimità dei bordi e il taglio a filo.

Rumore

Livello tipico di rumore pesato A determinato in base allo standard EN62841:

Modalità operativa: Carteggiatura

Livello di pressione sonora (L_{pA}): 75 dB (A)

Incertezza (K): 3 dB (A)

Il livello del rumore nelle condizioni di lavoro può superare gli 80 dB (A).

Modalità operativa: Taglio con la lama da taglio ad affondamento

Livello di pressione sonora (L_{pA}): 82 dB (A)

Livello di potenza sonora (L_{WA}): 93 dB (A)

Incertezza (K): 3 dB (A)

Modalità operativa: Taglio con la lama a segmenti

Livello di pressione sonora (L_{pA}): 81 dB (A)

Livello di potenza sonora (L_{WA}): 92 dB (A)

Incertezza (K): 3 dB (A)

Modalità operativa: Scrostamento

Livello di pressione sonora (L_{pA}): 81 dB (A)

Livello di potenza sonora (L_{WA}): 92 dB (A)

Incertezza (K): 3 dB (A)

NOTA: Il valore o i valori dichiarati delle emissioni di rumori sono stati misurati in conformità a un metodo standard di verifica, e possono essere utilizzati per confrontare un utensile con un altro.

NOTA: Il valore o i valori dichiarati delle emissioni di rumori possono venire utilizzati anche per una valutazione preliminare dell'esposizione.

⚠AVVERTIMENTO: Indossare protezioni per le orecchie.

⚠AVVERTIMENTO: L'emissione di rumori durante l'utilizzo effettivo dell'utensile elettrico può variare rispetto al valore o ai valori dichiarati, a seconda dei modi in cui viene utilizzato l'utensile e specialmente a seconda di che tipo di pezzo venga lavorato.

⚠AVVERTIMENTO: Accertarsi di identificare misure di sicurezza per la protezione dell'operatore che siano basate su una stima dell'esposizione nelle condizioni effettive di utilizzo (tenendo conto di tutte le parti del ciclo operativo, ad esempio del numero di spegnimenti dell'utensile e di quando giri a vuoto, oltre al tempo di attivazione).

Vibrazioni

Valore totale delle vibrazioni (somma vettoriale triassiale) determinato in base allo standard EN62841:

Modalità operativa: Carteggiatura

Emissione di vibrazioni (a_h): 2,5 m/s² o inferiore

Incertezza (K): 1,5 m/s²

Modalità operativa: Taglio con la lama da taglio ad affondamento

Emissione di vibrazioni (a_h): 10,5 m/s²

Incertezza (K): 1,5 m/s²

Modalità operativa: Taglio con la lama a segmenti

Emissione di vibrazioni (a_h): 5,5 m/s²

Incertezza (K): 1,5 m/s²

Modalità operativa: Scrostamento

Emissione di vibrazioni (a_h): 9,0 m/s²

Incertezza (K): 1,5 m/s²

NOTA: Il valore o i valori complessivi delle vibrazioni dichiarati sono stati misurati in conformità a un metodo standard di verifica, e possono essere utilizzati per confrontare un utensile con un altro.

NOTA: Il valore o i valori complessivi delle vibrazioni dichiarati possono venire utilizzati anche per una valutazione preliminare dell'esposizione.

⚠AVVERTIMENTO: L'emissione delle vibrazioni durante l'utilizzo effettivo dell'utensile elettrico può variare rispetto al valore o ai valori dichiarati, a seconda dei modi in cui viene utilizzato l'utensile, specialmente a seconda di che tipo di pezzo venga lavorato.

⚠AVVERTIMENTO: Accertarsi di identificare misure di sicurezza per la protezione dell'operatore che siano basate su una stima dell'esposizione nelle condizioni effettive di utilizzo (tenendo conto di tutte le parti del ciclo operativo, ad esempio del numero di spegnimenti dell'utensile e di quando giri a vuoto, oltre al tempo di attivazione).

Dichiarazione di conformità CE

Solo per i paesi europei

La dichiarazione di conformità CE è inclusa nell'Allegato A al presente manuale di istruzioni.

AVVERTENZE DI SICUREZZA

Avvertenze generali relative alla sicurezza dell'utensile elettrico

⚠AVVERTIMENTO: Leggere tutte le avvertenze di sicurezza, le istruzioni, le illustrazioni e i dati tecnici forniti con il presente utensile elettrico. La mancata osservanza di tutte le istruzioni elencate di seguito potrebbe risultare in scosse elettriche, incendi e/o gravi lesioni personali.

Conservare tutte le avvertenze e le istruzioni come riferimento futuro.

Il termine "utensile elettrico" nelle avvertenze si riferisce sia all'utensile elettrico (cablato) nel funzionamento alimentato da rete elettrica che all'utensile elettrico (a batteria) nel funzionamento alimentato a batteria.

Avvertenze di sicurezza relative all'utensile multifunzione a batteria

1. Il presente utensile elettrico è progettato per segare, tagliare, smerigliare e carteggiare. Leggere tutte le avvertenze di sicurezza, le istruzioni, le illustrazioni e i dati tecnici forniti con il presente utensile elettrico. La mancata osservanza di tutte le istruzioni elencate di seguito potrebbe risultare in scosse elettriche, incendi e/o gravi lesioni personali.

2. Tenere l'utensile elettrico per le superfici di impugnatura isolate quando si intende eseguire un'operazione in cui l'accessorio da taglio potrebbe entrare in contatto con fili elettrici nascosti. Un accessorio da taglio che entri in contatto con un filo elettrico sotto tensione potrebbe mettere sotto tensione le parti metalliche esposte dell'utensile elettrico e dare una scossa elettrica all'operatore.
3. Utilizzare delle morse o altri sistemi pratici per fissare e sostenere il pezzo in lavorazione su un piano stabile. Un pezzo in lavorazione mantenuto in mano o contro il proprio corpo resta instabile, e può portare a una perdita di controllo.
4. Utilizzare sempre occhiali oppure occhiali di sicurezza. I comuni occhiali o gli occhiali da sole NON sono occhiali di sicurezza.
5. Evitare di tagliare i chiodi. Prima dell'uso, ispezionare il pezzo in lavorazione alla ricerca di eventuali chiodi e rimuoverli.
6. Mantenere saldamente l'utensile.
7. Accertarsi che l'utensile applicativo non entri in contatto con il pezzo in lavorazione prima di attivare l'interruttore.
8. Tenere le mani lontane dalle parti mobili.
9. Non lasciare l'utensile mentre è in funzione. Far funzionare l'utensile solo mentre lo si tiene in mano.
10. Spegnere sempre l'utensile e attendere l'arresto completo della lama, prima di rimuoverla dal pezzo in lavorazione.
11. Non toccare l'utensile applicativo o il pezzo in lavorazione subito dopo l'operazione; la loro temperatura potrebbe essere estremamente elevata e potrebbero causare ustioni.
12. Non far funzionare inutilmente l'utensile a vuoto.
13. Utilizzare sempre la mascherina antipolvere o il respiratore corretti per il materiale e l'applicazione con cui si intende lavorare.
14. Alcuni materiali contengono sostanze chimiche potenzialmente tossiche. Fare attenzione a evitare l'inalazione delle polveri e il contatto con la pelle. Attenersi ai dati sulla sicurezza del fornitore del materiale.
15. Questo utensile non è impermeabilizzato, pertanto non utilizzare acqua sulla superficie del pezzo in lavorazione.
16. Ventilare adeguatamente l'area di lavoro quando si eseguono le operazioni di carteggiatura.
17. L'utilizzo di questo utensile per la carteggiatura di alcuni prodotti, vernici e legni potrebbero esporre l'operatore a polveri contenenti sostanze pericolose. Utilizzare una protezione appropriata per la respirazione.
18. Accertarsi che non siano presenti fessurazioni o spaccature sul platorello prima dell'uso. Le fessurazioni o le spaccature potrebbero causare lesioni personali.
19. Non utilizzare accessori che non siano progettati specificatamente e consigliati dal produttore dell'utensile. Il solo fatto che un accessorio possa essere applicato all'utensile elettrico non ne assicura un utilizzo sicuro.

20. **Indossare un'attrezzatura di protezione personale.** A seconda dell'applicazione, utilizzare una visiera, occhiali oppure occhiali di sicurezza. Se necessario, indossare protezioni per l'udito, guanti e un grembiule da lavoro in grado di arrestare piccoli frammenti abrasivi o del pezzo in lavorazione. La protezione per gli occhi deve essere in grado di arrestare i frammenti volanti generati dalle varie operazioni. La mascherina antipolvere o il respiratore devono essere in grado di filtrare le particelle generate durante l'operazione. L'esposizione prolungata al rumore ad alta intensità potrebbe causare la perdita dell'udito.
21. **Tenere gli astanti a distanza di sicurezza dall'area di lavoro.** Chiusure entri nell'area di lavoro deve indossare un'attrezzatura personale di protezione. I frammenti del pezzo in lavorazione o di un accessorio rotto potrebbero venire scagliati via e causare lesioni personali al di fuori delle immediate vicinanze dell'area di lavoro.
22. **Non appoggiare mai l'utensile elettrico fino all'arresto completo dell'accessorio.** Un accessorio in rotazione potrebbe far presa sulla superficie e tirare l'utensile elettrico fuori dal controllo dell'operatore.
23. **Non far funzionare l'utensile elettrico mentre lo si trasporta sul proprio fianco.** Il contatto accidentale con l'accessorio potrebbe farlo impigliare negli indumenti, attirando l'accessorio contro il corpo dell'operatore.
24. **Non far funzionare l'utensile elettrico in prossimità di materiali infiammabili.** Le scintille potrebbero incendiare tali materiali.
25. **Non utilizzare accessori che richiedano refrigeranti liquidi.** L'utilizzo di acqua o di altri refrigeranti liquidi potrebbe causare la folgorazione o scosse elettriche.
26. **Accertarsi sempre che l'utensile sia spento e scollegato dalla presa elettrica, o che la cartuccia della batteria sia stata rimossa, prima di eseguire qualsiasi lavoro sull'utensile.**
27. **Accertarsi sempre di avere un appoggio saldo sui piedi. Accertarsi che non sia presente alcuna persona sotto di sé quando si intende utilizzare l'utensile in ubicazioni elevate.**
3. **Qualora il tempo di utilizzo si riduca eccessivamente, interrompere immediatamente l'utilizzo dell'utensile.** In caso contrario, si può incorrere nel rischio di surriscaldamento, possibili ustioni e persino un'esplosione.
4. **Qualora l'elettrolita entri in contatto con gli occhi, sciacquarli con acqua pulita e richiedere immediatamente assistenza medica.** Questa eventualità può risultare nella perdita della vista.
5. **Non cortocircuitare la cartuccia della batteria:**
 - (1) **Non toccare i terminali con alcun materiale conduttivo.**
 - (2) **Evitare di conservare la cartuccia della batteria in un contenitore insieme ad altri oggetti metallici quali chiodi, monete, e così via.**
 - (3) **Non esporre la cartuccia della batteria all'acqua o alla pioggia.**

Un cortocircuito della batteria può causare un grande flusso di corrente, un surriscaldamento, possibili ustioni e persino un guasto.
6. **Non conservare l'utensile e la cartuccia della batteria in ubicazioni in cui la temperatura possa raggiungere o superare i 50°C.**
7. **Non incenerire la cartuccia della batteria anche qualora sia gravemente danneggiata o completamente esaurita.** La cartuccia della batteria può esplodere se a contatto con il fuoco.
8. **Fare attenzione a non far cadere e a non colpire la batteria.**
9. **Non utilizzare una batteria danneggiata.**
10. **Le batterie a ioni di litio contenute sono soggette ai requisiti del regolamento sul trasporto di merci pericolose (Dangerous Goods Legislation).**

Per trasporti commerciali, ad esempio da parte di terzi o spedizionieri, è necessario osservare dei requisiti speciali sull'imballaggio e sull'etichetta. Per la preparazione dell'articolo da spedire, è richiesta la consulenza di un esperto in materiali pericolosi. Attenersi anche alle normative nazionali, che potrebbero essere più dettagliate. Nastrare o coprire i contatti aperti e imballare la batteria in modo tale che non si possa muovere liberamente all'interno dell'imballaggio.

CONSERVARE LE PRESENTI ISTRUZIONI.

⚠AVVERTIMENTO: NON lasciare che comodità o la familiarità d'utilizzo con il prodotto (acquisita con l'uso ripetuto) sostituisca la stretta osservanza delle norme di sicurezza per il prodotto in questione. L'USO IMPROPRIO o la mancata osservanza delle norme di sicurezza indicate nel presente manuale di istruzioni potrebbero causare gravi lesioni personali.

Istruzioni di sicurezza importanti per la cartuccia della batteria

1. **Prima di utilizzare la cartuccia della batteria, leggere tutte le istruzioni e le avvertenze riportate (1) sul caricabatteria, (2) sulla batteria e (3) sul prodotto che utilizza la batteria.**
2. **Non smontare la cartuccia della batteria.**

11. **Attenersi alle normative locali relative allo smaltimento della batteria.**
12. **Utilizzare le batterie esclusivamente con i prodotti specificati da Makita.** L'installazione delle batterie in prodotti non compatibili potrebbe risultare in incendi, calore eccessivo, esplosioni o perdite di liquido elettrolitico.

CONSERVARE LE PRESENTI ISTRUZIONI.

⚠ATTENZIONE: Utilizzare solo batterie originali Makita. L'utilizzo di batterie Makita non originali, o di batterie che siano state alterate, potrebbe risultare nello scoppio della batteria, causando incendi, lesioni personali e danni. Inoltre, ciò potrebbe invalidare la garanzia Makita per l'utensile e il caricabatterie Makita.

Suggerimenti per preservare la durata massima della batteria

1. Caricare la cartuccia della batteria prima che si scarichi completamente. Smettere sempre di utilizzare l'utensile e caricare la cartuccia della batteria quando si nota che la potenza dell'utensile è diminuita.
2. Non ricaricare mai una cartuccia della batteria completamente carica. La sovraccarica riduce la vita utile della batteria.
3. Caricare la cartuccia della batteria a una temperatura ambiente compresa tra 10°C e 40°C. Lasciar raffreddare una cartuccia della batteria prima di caricarla.

DESCRIZIONE DELLE FUNZIONI

⚠ATTENZIONE: Accertarsi sempre che l'utensile sia spento e che la cartuccia della batteria sia stata rimossa prima di regolare o di controllare il funzionamento dell'utensile.

Installazione o rimozione della cartuccia della batteria

⚠ATTENZIONE: Spegner sempre l'utensile prima di installare o rimuovere la cartuccia della batteria.

⚠ATTENZIONE: Mantenere saldamente lo strumento e la batteria quando si intende installare o rimuovere la cartuccia della batteria. Qualora non si mantengano saldamente lo strumento e la cartuccia della batteria, questi ultimi potrebbero scivolare dalle mani, con la possibilità di causare un danneggiamento dello strumento e della cartuccia della batteria, nonché una lesione personale.

► **Fig.1:** 1. Indicatore rosso 2. Pulsante 3. Cartuccia della batteria

Per rimuovere la cartuccia della batteria, farla scorrere via dall'utensile mentre si fa scorrere allo stesso tempo il pulsante sulla parte anteriore della cartuccia.

Per installare la cartuccia della batteria, allineare l'appendice della batteria con la scanalatura nell'alloggiamento e farla scivolare in sede. Inserirla completamente fino al suo blocco in sede con un leggero scatto. Se è possibile vedere l'indicatore rosso sul lato superiore del pulsante, la batteria non è bloccata completamente.

⚠ATTENZIONE: Installare sempre fino in fondo la cartuccia della batteria, fino a quando l'indicatore rosso non è più visibile. In caso contrario, la batteria potrebbe cadere accidentalmente dall'utensile, causando lesioni personali all'operatore o a chi gli è vicino.

⚠ATTENZIONE: Non installare forzatamente la cartuccia della batteria. Qualora la batteria non si inserisca scorrendo agevolmente, vuol dire che non viene inserita correttamente.

Sistema di protezione della batteria

L'utensile è dotato di un sistema di protezione della batteria. Questo sistema interrompe automaticamente l'alimentazione al motore per prolungare la vita utile della batteria.

L'utensile si arresta automaticamente durante il funzionamento qualora l'utensile stesso e/o la batteria vengano a trovarsi in una delle condizioni seguenti:

Sovraccarico:

L'utensile viene utilizzato in modo tale da causare un assorbimento di corrente elevato in modo anomalo da parte dell'utensile stesso.

In questa situazione, spegnere l'utensile e interrompere l'applicazione che ha causato il sovraccarico dell'utensile. Quindi, accendere l'utensile per ricominciare.

Qualora l'utensile non si avvii, la batteria è surriscaldata. In questa situazione, lasciar raffreddare la batteria prima di riaccendere l'utensile.

Bassa tensione della batteria:

La carica residua della batteria è troppo bassa e non è possibile utilizzare l'utensile. Se si accende l'utensile, il motore gira di nuovo, ma si arresta dopo poco. In tal caso, rimuovere e ricaricare la batteria.

Indicazione della carica residua della batteria

Solo per cartucce delle batterie dotate di indicatore

► **Fig.2:** 1. Indicatori luminosi 2. Pulsante di controllo

Premere il pulsante di controllo sulla cartuccia della batteria per indicare la carica residua della batteria. Gli indicatori luminosi si illuminano per alcuni secondi.

Indicatori luminosi		Carica residua
■ Illuminato	□ Spento	
■ ■ ■ ■	□	Dal 75% al 100%
■ ■ ■ □	□	Dal 50% al 75%
■ ■ □ □	□	Dal 25% al 50%
■ □ □ □	□	Dallo 0% al 25%

NOTA: A seconda delle condizioni d'uso e della temperatura ambiente, l'indicazione potrebbe variare leggermente rispetto alla carica effettiva.

Funzionamento dell'interruttore

⚠ATTENZIONE: Prima di installare la cartuccia della batteria nell'utensile, controllare sempre che l'utensile sia spento.

► **Fig.3:** 1. Interruttore scorrevole

Per avviare l'utensile, far scorrere l'interruttore scorrevole verso la posizione "I (ACCESO)".

Per arrestare l'utensile, far scorrere l'interruttore scorrevole verso la posizione "O (SPENTO)".

Regolazione della velocità di corsa orbitale

► Fig.4: 1. Selettore

La velocità di corsa orbitale è regolabile. Per modificare la velocità di corsa orbitale, ruotare il selettore tra 1 e 5. La velocità di corsa orbitale aumenta di pari passo con l'incremento del numero. Preimpostare il selettore sul numero adatto al pezzo in lavorazione.

NOTA: Non è possibile ruotare il selettore direttamente da 1 a 5 o da 5 a 1. Qualora si forzi il selettore, si potrebbe danneggiare l'utensile. Quando si intende cambiare la direzione del selettore, ruotare sempre quest'ultimo facendolo passare per ciascun numero intermedio.

Accensione della lampadina anteriore

⚠ATTENZIONE: Non osservare né guardare direttamente la fonte di luce.

► Fig.5: 1. Lampadina anteriore

Far scorrere l'interruttore scorrevole verso la posizione "I (ACCESO)" per accendere la lampadina anteriore. La lampadina resta illuminata mentre l'interruttore scorrevole si trova sulla posizione "I (ACCESO)". La luce si spegne automaticamente successivamente alla pressione della parte posteriore dell'interruttore scorrevole e, quindi, allo scorrimento dell'interruttore scorrevole verso la posizione "O (SPENTO)".

Protezione dal sovraccarico

Quando l'utensile è sovraccarico e la sua temperatura o quella della cartuccia della batteria raggiunge un determinato livello, la lampadina anteriore lampeggia e l'utensile si arresta automaticamente. Rimuovere la causa del sovraccarico e far raffreddare l'utensile e la cartuccia della batteria per riavviare l'utensile.

MONTAGGIO

⚠ATTENZIONE: Accertarsi sempre che l'utensile sia spento e che la cartuccia della batteria sia stata rimossa, prima di effettuare qualsiasi intervento sull'utensile.

Installazione o rimozione dell'utensile applicativo

Accessorio opzionale

⚠AVVERTIMENTO: Non installare l'utensile applicativo capovolto. Qualora si installi l'utensile applicativo capovolto, si potrebbe danneggiare l'utensile e si potrebbero causare gravi lesioni personali.

NOTA: Installare l'utensile applicativo nella direzione corretta a seconda del lavoro. È possibile installare l'utensile applicativo variandone l'angolazione a intervalli di 30 gradi.

Per installare un utensile applicativo (accessorio opzionale), collocare quest'ultimo sulla flangia dell'utensile, in modo che le sporgenze della flangia dell'utensile entrino nei fori dell'utensile applicativo. Quindi, fissare l'utensile applicativo serrando saldamente il bullone con la chiave esagonale.

► Fig.6: 1. Sporgenze della flangia dell'utensile
2. Fori dell'utensile applicativo
3. Bullone di installazione per utensile applicativo

► Fig.7: 1. Bullone di installazione per utensile applicativo
2. Chiave esagonale
3. Serrare

Per rimuovere l'utensile applicativo, allentare e rimuovere il bullone di installazione per utensile applicativo utilizzando una chiave esagonale, quindi rimuovere l'utensile applicativo.

Quando si intende utilizzare l'utensile come levigatrice, applicare della carta vetrata sul platorello levigatura (montaggio con sistema di adesione a contatto). Accertarsi che la loro forma e i fori di aspirazione delle polveri coincidano gli uni con gli altri durante l'installazione.

► Fig.8: 1. Platorello levigatura
2. Serrare
3. Carta vetrata

Per rimuovere la carta vetrata, sollevare la sua estremità e staccarla via.

Quando si intende utilizzare utensili applicativi con una sezione di installazione di tipo diverso, utilizzare un adattatore corretto (accessorio opzionale).

► Fig.9: 1. Bullone di installazione per utensile applicativo
2. Fori dell'utensile applicativo
3. Adattatore (richiesto per alcuni utensili applicativi)
4. Sporgenze della flangia dell'utensile

Conservazione della chiave esagonale

► Fig.10: 1. Chiave esagonale

Quando non si utilizza la chiave esagonale, riporla come mostrato nella figura per evitare di perderla.

FUNZIONAMENTO

⚠AVVERTIMENTO: Prima di avviare l'utensile e durante l'uso, tenere le mani e il viso lontani dall'utensile applicativo.

⚠ATTENZIONE: Non applicare un carico eccessivo sull'utensile, in quanto ciò potrebbe causare il blocco del motore e arrestare l'utensile.

⚠ATTENZIONE: Non utilizzare l'utensile premendo la cartuccia della batteria contro l'utensile.

Come tagliare, segare e scrostare

⚠ATTENZIONE: Non spostare forzatamente l'utensile nella direzione di applicazione dell'utensile (ad esempio di lato) che è priva di tagliente. In caso, contrario, si potrebbe danneggiare l'utensile.

► Fig.11

Sistemare l'utensile applicativo sul pezzo in lavorazione.

Quindi, spostare in avanti l'utensile in modo che il movimento dell'utensile applicativo non rallenti.

NOTA: Qualora si forzi l'utensile o si applichi pressione eccessiva su quest'ultimo, si potrebbe ridurne l'efficienza.

NOTA: Prima di un'operazione di taglio, si consiglia di predisporre la velocità di corsa orbitale su 3 - 5.

Carteggiatura

⚠ATTENZIONE: Non riutilizzare per la carteggiatura del legno carta vetrata che sia stata utilizzata per la carteggiatura dei metalli.

⚠ATTENZIONE: Non utilizzare carta vetrata usurata o carta vetrata priva di graniglia.

Applicare la carta vetrata sul pezzo in lavorazione.

► Fig.12

NOTA: Si consiglia di utilizzare un campione di materiale di prova per determinare la velocità di corsa orbitale corretta adatta al lavoro.

NOTA: Utilizzare carta vetrata con la stessa graniglia fino al completamento della carteggiatura dell'intero pezzo in lavorazione. Qualora si sostituisca una carta vetrata con un'altra dotata di graniglia diversa, si potrebbe non ottenere una rifinitura precisa.

Accessorio di aspirazione polveri

Accessorio opzionale

⚠ATTENZIONE: Non utilizzare l'accessorio di aspirazione polveri quando si intende levigare metallo. L'aspirazione di scintille e particelle bollenti genera fumo e combustione.

► **Fig.13:** 1. Giunto 2. Bandella per la bocchetta 3. Bocchetta polveri 4. Accessorio polveri 5. Distanziatore 6. Anello di feltro (ø 47 mm) 7. Platorello (che rechi l'indicazione STARLOCK) 8. Bullone di installazione per utensile applicativo 9. Anello di feltro (ø 37 mm) 10. Platorello (che rechi l'indicazione OIS)

1. Installare il giunto, la bocchetta polveri e l'accessorio polveri.
2. Installare la bandella per la bocchetta sull'utensile, in modo che le sue sporgenze entrino nei fori dell'utensile per fissarla.
3. Montare l'anello di feltro e il platorello levigatura sull'accessorio polveri, quindi fissarli con il bullone di installazione per utensile applicativo.

Per eseguire un'operazione più pulita, collegare un aspirapolvere all'utensile. Collegare il tubo flessibile dell'aspirapolvere all'accessorio di aspirazione polveri (accessorio opzionale).

► Fig.14

MANUTENZIONE

⚠ATTENZIONE: Accertarsi sempre che l'utensile sia spento e che la cartuccia della batteria sia stata rimossa prima di tentare di eseguire interventi di ispezione o manutenzione.

AVVISO: Non utilizzare mai benzina, benzene, solventi, alcol o altre sostanze simili. In caso contrario, si potrebbero causare scolorimenti, deformazioni o crepe.

Per preservare la SICUREZZA e l'AFFIDABILITÀ del prodotto, le riparazioni e qualsiasi altro intervento di manutenzione e di regolazione devono essere eseguiti da un centro di assistenza autorizzato Makita, utilizzando sempre ricambi Makita.

ACCESSORI OPZIONALI

⚠ATTENZIONE: Questi accessori o componenti aggiuntivi sono consigliati per l'uso con l'utensile Makita specificato nel presente manuale. L'impiego di altri accessori o componenti aggiuntivi può costituire un rischio di lesioni alle persone. Utilizzare gli accessori o i componenti aggiuntivi solo per il loro scopo prefissato.

Per ottenere ulteriori dettagli relativamente a questi accessori, rivolgersi a un centro di assistenza Makita.

- Lama segmentata
- Lama circolare
- Lama da taglio ad affondamento
- Scrostatore (rigido)
- Scrostatore (flessibile)
- Lama segmentata seghettata
- Lama taglio angoli HCS
- Rimozione malta HM
- Lama segmentata HM
- Piattello levigatura HM
- Lama segmentata diamantata
- Platorello levigatura
- Adattatore
- Carta abrasiva delta (rossa/bianca/nera)
- Tessuto abrasivo delta (medio/ruvido/senza graniglia)
- Platorello delta per lucidatura
- Chiave esagonale
- Accessorio di aspirazione polveri
- Batteria e caricabatterie originali Makita

NOTA: Alcuni articoli nell'elenco potrebbero essere inclusi nell'imballaggio dell'utensile come accessori standard. Tali articoli potrebbero variare da nazione a nazione.

TECHNISCHE GEGEVENS

Model:	TM30D
Oscillaties per minuut	6.000 - 20.000 min ⁻¹
Uitslaghoek links/rechts	1,6° (3,2° totaal)
Nominale spanning	Max. 10,8 V - 12 V gelijkspanning
Totale lengte	277 mm - 296 mm
Nettogewicht	1,1 - 1,3 kg

- In verband met ononderbroken research en ontwikkeling, behouden wij ons het recht voor de bovenstaande technische gegevens zonder voorafgaande kennisgeving te wijzigen.
- De technische gegevens kunnen van land tot land verschillen.
- Het gewicht kan verschillen afhankelijk van de hulpstukken, waaronder de accu. De lichtste en zwaarste combinatie, overeenkomstig de EPTA-procedure 01/2014, worden getoond in de tabel.

Toepasselijke accu's en laders

Accu	BL1015 / BL1016 / BL1020B / BL1021B / BL1040B / BL1041B
Lader	DC10SA / DC10SB / DC10WC / DC10WD / DC18RE

- Sommige van de hierboven vermelde accu's en laders zijn mogelijk niet leverbaar afhankelijk van waar u woont.

⚠ WAARSCHUWING: Gebruik uitsluitend de accu's en laders die hierboven worden genoemd. Gebruik van enige andere accu of lader kan leiden tot letsel en/of brand.

Doeleinden van gebruik

Dit gereedschap is bestemd voor het zagen en snijden in hout, plastic, gipsplaten, non-ferrometalen en sommige montagematerialen (zoals zachte spijkers en nieten). Het is tevens bestemd voor het werken met zachte wandtegels en het droog schuren en afkrabben van kleine oppervlakken. Het is bij uitstek geschikt voor werken langs randen en voor egaal bijsnijden.

Geluidsniveau

De typische, A-gewogen geluidsniveaus zijn gemeten volgens EN62841:

Toepassing: Schuren
 Geluidsdruk niveau (L_{pA}): 75 dB (A)
 Onzekerheid (K): 3 dB (A)

Het geluidsniveau kan tijdens gebruik hoger worden dan 80 dB (A).

Toepassing: Snijden met het invalzaagblad
 Geluidsdruk niveau (L_{pA}): 82 dB (A)
 Geluidsvermogen niveau (L_{WA}): 93 dB (A)
 Onzekerheid (K): 3 dB (A)

Toepassing: Snijden met het segmentzaagblad
 Geluidsdruk niveau (L_{pA}): 81 dB (A)
 Geluidsvermogen niveau (L_{WA}): 92 dB (A)
 Onzekerheid (K): 3 dB (A)

Toepassing: Afschrappen
 Geluidsdruk niveau (L_{pA}): 81 dB (A)
 Geluidsvermogen niveau (L_{WA}): 92 dB (A)
 Onzekerheid (K): 3 dB (A)

OPMERKING: De opgegeven geluidsemisiewaarde(n) is/zijn gemeten volgens een standaardtestmethode en kan/kunnen worden gebruikt om dit gereedschap te vergelijken met andere gereedschappen.

OPMERKING: De opgegeven geluidsemisiewaarde(n) kan/kunnen ook worden gebruikt voor een beoordeling vooraf van de blootstelling.

⚠ WAARSCHUWING: Draag gehoorbescherming.

⚠ WAARSCHUWING: De geluidsemisatie tijdens het gebruik van het elektrisch gereedschap in de praktijk kan verschillen van de opgegeven waarde(n) afhankelijk van de manier waarop het gereedschap wordt gebruikt, met name van het soort werkstuk waarmee wordt gewerkt.

⚠ WAARSCHUWING: Zorg ervoor dat veiligheidsmaatregelen worden getroffen ter bescherming van de gebruiker die zijn gebaseerd op een schatting van de blootstelling onder praktijkomstandigheden (rekening houdend met alle fasen van de bedrijfscyclus, zoals de tijdsduur gedurende welke het gereedschap is uitgeschakeld en stationair draait, naast de ingeschakelde tijdsduur).

Trilling

De totale trillingswaarde (triaxiale vectorsom) zoals vastgesteld volgens EN62841:

Toepassing: Schuren
 Trillingsemisatie (a_h): 2,5 m/s² of lager
 Onzekerheid (K): 1,5 m/s²

Toepassing: Snijden met het invalzaagblad
 Trillingsemisatie (a_h): 10,5 m/s²
 Onzekerheid (K): 1,5 m/s²

Toepassing: Snijden met het segmentzaagblad

Trillingsemisatie (a_h): 5,5 m/s²

Onzeketheid (K): 1,5 m/s²

Toepassing: Afschrapen

Trillingsemisatie (a_h): 9,0 m/s²

Onzeketheid (K): 1,5 m/s²

OPMERKING: De totale trillingswaarde(n) is/zijn gemeten volgens een standaardtestmethode en kan/kunnen worden gebruikt om dit gereedschap te vergelijken met andere gereedschappen.

OPMERKING: De opgegeven totale trillingswaarde(n) kan/kunnen ook worden gebruikt voor een beoordeling vooraf van de blootstelling.

⚠️ WAARSCHUWING: De trillingsemisatie tijdens het gebruik van het elektrisch gereedschap in de praktijk kan verschillen van de opgegeven waarde(n) afhankelijk van de manier waarop het gereedschap wordt gebruikt, met name van het soort werkstuk waarmee wordt gewerkt.

⚠️ WAARSCHUWING: Zorg ervoor dat veiligheidsmaatregelen worden getroffen ter bescherming van de gebruiker die zijn gebaseerd op een schatting van de blootstelling onder praktijkomstandigheden (rekening houdend met alle fasen van de bedrijfscyclus, zoals de tijdsduur gedurende welke het gereedschap is uitgeschakeld en stationair draait, naast de ingeschakelde tijdsduur).

EG-verklaring van conformiteit

Alleen voor Europese landen

De EG-verklaring van conformiteit is bijgevoegd als Bijlage A bij deze gebruiksaanwijzing.

VEILIGHEIDSWAARSCHUWINGEN

Algemene veiligheidswaarschuwingen voor elektrisch gereedschap

⚠️ WAARSCHUWING: Lees alle veiligheids- waarschuwingen, aanwijzingen, afbeeldingen en technische gegevens behorend bij dit elektrische gereedschap aandachtig door. Als u niet alle onderstaande aanwijzingen naleeft, kan dat resulteren in brand, elektrische schokken en/of ernstig letsel.

Bewaar alle waarschuwingen en instructies om in de toekomst te kunnen raadplegen.

De term "elektrisch gereedschap" in de veiligheidsvoorschriften duidt op gereedschappen die op stroom van het lichtnet werken (met snoer) of gereedschappen met een accu (snoerloos).

Veiligheidsvoorschriften voor een accumulietool

1. Dit elektrisch gereedschap is bestemd voor zagen, snijden, slijpen en polijsten. Lees alle veiligheidsvoorschriften, aanwijzingen, afbeeldingen en technische gegevens behorend bij dit elektrische gereedschap aandachtig door. Als u niet alle onderstaande aanwijzingen naleeft, kan dat resulteren in brand, elektrische schokken en/of ernstig letsel.
2. Houd elektrisch gereedschap alleen vast aan de geïsoleerde handgrepen wanneer de kans bestaat dat het werktuig in aanraking komt met verborgen bedrading. Als een draad die onder stroom staat wordt ingesneden, kunnen de metalen delen van het elektrisch gereedschap ook onder stroom komen te staan en kunt u een gevaarlijke schok krijgen.
3. Gebruik klemmen of dergelijke voorzieningen om uw werkstuk aan een stabiele ondergrond vast te klemmen. Een werkstuk dat u in de hand houdt of tegen uw lichaam aan drukt, kan al te vrijelijk bewegen en onhoudbaar worden.
4. Draag altijd een veiligheidsbril of stofbril. Een gewone bril of zonnebril biedt NIET de nodige veiligheid.
5. Zorg dat het werktuig geen spijkers raakt. Controleer uw werkstuk vooraf op de aanwezigheid van spijkers en verwijder die.
6. Houd het gereedschap stevig vast.
7. Let vooral op dat het werktuig bij inschakelen nog niet in aanraking komt met uw werkstuk.
8. Kom met uw handen niet te dicht bij bewegende onderdelen.
9. Laat het gereedschap niet ingeschakeld achter. Schakel het gereedschap alleen in wanneer u het stevig vasthoudt.
10. Schakel eerst het gereedschap uit en wacht tot het zaagblad volledig tot stilstand is gekomen, voordat u het zaagblad van het werkstuk haalt.
11. Raak het werktuig of het bewerkte deel van uw werkstuk niet onmiddellijk na het werk aan; deze delen kunnen bijzonder heet worden en u zou zich kunnen branden.
12. Laat het gereedschap niet onnodig lang draaien in onbelaste toestand.
13. Gebruik altijd het juiste stofmasker of ademhalingsapparaat voor het materiaal en de toepassing waar u aan werkt.
14. Bepaalde materialen kunnen giftige chemicaliën bevatten. Vermijd dan het contact met uw huid en zorg dat u geen stof inademt. Volg de veiligheidsvoorschriften van de fabrikant van het materiaal.
15. Dit gereedschap is niet waterdicht, dus zorg dat er geen water op de oppervlakken van uw werkstuk komt.
16. Zorg voor voldoende ventilatie bij het schuren van werkstukken.
17. Bij gebruik van dit gereedschap voor het schuren van bepaalde materialen, verf en houtsoorten, kunt u worden blootgesteld aan stof dat uw gezondheid kan schaden. Gebruik een geschikt stofmasker of ademhalingsapparaat.

18. Controleer of er geen barsten of scheuren in het blok zijn voordat u gaat werken. Barsten of breuken zouden kunnen leiden tot lichamelijk letsel.
19. Gebruik geen accessoires die niet specifiek ontworpen en goedgekeurd zijn door de fabrikant van dit gereedschap. Ook al past een accessoire wel op uw elektrisch gereedschap, dan nog staat dit niet altijd garant voor een veilige werking.
20. Draag persoonlijke beschermingsmiddelen. Afhankelijk van de toepassing dient u ook een spatscherm, veiligheidsbril of stofbril te dragen. Draag naar vereist ook oorbeschermers, werkhandschoenen en een werkschort dat bescherming biedt tegen rondvliegende spaanders of scherp gruis. Een afdoende oogbescherming moet in staat zijn om tijdens het werk rondvliegende spaanders of scherp gruis tegen te houden. Het stofmasker of ademhalingsapparaat moet alle vrijkomende deeltjes uit de lucht die u inademt te filteren. Langdurige blootstelling aan hard lawaai kan uw gehoor aantasten.
21. Houd omstanders op veilige afstand tijdens het gebruik van elektrisch gereedschap. Iedereen die uw werkterrein betreedt, moet beschermende kleding dragen. Er zouden splinters van uw werkstuk of van een afgebroken accessoire kunnen rondvliegen, met kans op verwondingen, ook buiten uw onmiddellijke werkomgeving.
22. Leg het elektrisch gereedschap altijd pas neer nadat het werktuig volledig tot stilstand is gekomen. Als het werktuig nog draait, kan het de ondergrond aangrijpen en het elektrisch gereedschap uit uw handen trekken.
23. Loop niet met het elektrisch gereedschap terwijl het nog draait. Als het werktuig tegen uw kleding aan zou komen, kan het verstrikt raken in uw kleding waardoor het werktuig in uw lichaam wordt getrokken.
24. Gebruik het elektrisch gereedschap niet in de buurt van licht ontvlambare materialen. Als er vonken overspringen, zou er brand kunnen ontstaan.
25. Gebruik geen werktuigen waarvoor koeling met vloeistof vereist is. Het gebruik van water of een andere koelvloeistof kan leiden tot een elektrische schok, met gevaar voor elektrocutie.
26. Zorg altijd dat het gereedschap is uitgeschakeld en de stekker uit het stopcontact is getrokken of de accu is verwijderd alvorens enig werk aan het gereedschap uit te voeren.
27. Zorg ook altijd dat u stevig op een solide bodem staat. Let bij het werken op hoge plaatsen op dat er zich niemand recht onder u bevindt.

BEWAAR DEZE INSTRUCTIES.

⚠ WAARSCHUWING: Laat u NIET misleiden door een vals gevoel van comfort en bekendheid met het gereedschap (na veelvuldig gebruik) en neem alle veiligheidsvoorschriften van het betreffende gereedschap altijd strikt in acht. **VERKEERD GEBRUIK** of het niet naleven van de veiligheidsvoorschriften in deze gebruiksaanwijzing kan leiden tot ernstig persoonlijk letsel.

Belangrijke veiligheidsinstructies voor een accu

1. Lees alle voorschriften en waarschuwingen op (1) de acculader, (2) de accu, en (3) het product waarvoor de accu wordt gebruikt, alvorens de accu in gebruik te nemen.
2. Neem de accu niet uit elkaar.
3. Als de gebruikstijd van een opgeladen accu aanzienlijk korter is geworden, moet u het gebruik ervan onmiddellijk stopzetten. Voortgezet gebruik kan oververhitting, brandwonden en zelfs een ontploffing veroorzaken.
4. Als elektrolyt in uw ogen is terechtgekomen, spoelt u uw ogen met schoon water en roept u onmiddellijk de hulp van een dokter in. Elektrolyt in de ogen kan blindheid veroorzaken.
5. **Vorkom kortsluiting van de accu:**
 - (1) Raak de accuklemmen nooit aan met een geleidend materiaal.
 - (2) Bewaar de accu niet in een bak waarin andere metalen voorwerpen zoals spijkers, munten e.d. worden bewaard.
 - (3) Stel de accu niet bloot aan water of regen. Kortsluiting van de accu kan oorzaak zijn van een grote stroomafgifte, oververhitting, brandwonden, en zelfs defecten.
6. Bewaar het gereedschap en de accu niet op plaatsen waar de temperatuur kan oplopen tot 50°C of hoger.
7. Werp de accu nooit in het vuur, ook niet wanneer hij zwaar beschadigd of volledig versleten is. De accu kan ontploffen in het vuur.
8. Wees voorzichtig dat u de accu niet laat vallen en hem niet blootstelt aan schokken of stoten.
9. Gebruik nooit een beschadigde accu.
10. **De bijgeleverde lithium-ionbatterijen zijn onderhevig aan de vereisten in de wetgeving omtrent gevaarlijke stoffen.**
Voor commercieel transport en dergelijke door derden en transporteurs moeten speciale vereisten ten aanzien van verpakking en etikettering worden nageleefd.
Als voorbereiding van het artikel dat wordt getransporteerd is het noodzakelijk een expert op het gebied van gevaarlijke stoffen te raadplegen. Houd u tevens aan mogelijk strengere nationale regelgeving.
Blootliggende contactpunten moeten worden afgedekt met tape en de accu moet zodanig worden verpakt dat deze niet kan bewegen in de verpakking.
11. **Volg bij het weggoien van de accu de plaatselijke voorschriften.**
12. Gebruik de accu's uitsluitend met de gereedschappen die door Makita zijn aanbevolen. Als de accu's worden aangebracht in niet-compatibele gereedschappen, kan dat leiden tot brand, buitensporige warmteontwikkeling, een explosie of lekkage van elektrolyt.

BEWAAR DEZE INSTRUCTIES.

⚠ LET OP: Gebruik uitsluitend originele Makita accu's. Het gebruik van niet-originele accu's, of accu's die zijn gewijzigd, kan ertoe leiden dat de accu ontploft en brand, persoonlijk letsel en schade veroorzaakt. Ook vervalt daarmee de garantie van Makita op het gereedschap en de lader van Makita.

Tips voor een maximale levensduur van de accu

1. Laad de accu op voordat hij volledig ontladen is. Stop het gebruik van het gereedschap en laad de accu op telkens wanneer u vaststelt dat het vermogen van het gereedschap is afgenomen.
2. Laad een volledig opgeladen accu nooit opnieuw op. Te lang opladen verkort de levensduur van de accu.
3. Laad de accu op bij een omgevingstemperatuur tussen 10°C en 40°C. Laat een warme accu afkoelen alvorens hem op te laden.

BESCHRIJVING VAN DE FUNCTIES

⚠ LET OP: Zorg altijd dat het gereedschap is uitgeschakeld en de accu ervan is verwijderd alvorens de functies op het gereedschap af te stellen of te controleren.

De accu aanbrengen en verwijderen

⚠ LET OP: Schakel het gereedschap altijd uit voordat u de accu aanbrengt of verwijdert.

⚠ LET OP: Houd het gereedschap en de accu stevig vast tijdens het aanbrengen of verwijderen van de accu. Als u het gereedschap en de accu niet stevig vasthoudt, kunnen deze uit uw handen glijpen en het gereedschap of de accu beschadigen, of kan persoonlijk letsel worden veroorzaakt.

► Fig.1: 1. Rood deel 2. Knop 3. Accu

Om de accu te verwijderen verschuift u de knop aan de voorkant van de accu en schuift u tegelijkertijd de accu uit het gereedschap.

Om de accu aan te brengen lijnt u de lip op de accu uit met de groef in de behuizing en duwt u de accu op zijn plaats. Steek de accu zo ver mogelijk in het gereedschap tot u een klikgeluid hoort. Als u het rode deel aan de bovenkant van de knop kunt zien, is de accu niet goed aangebracht.

⚠ LET OP: Breng de accu altijd helemaal aan totdat het rode deel niet meer zichtbaar is. Als u dit niet doet, kan de accu per ongeluk uit het gereedschap vallen en u of anderen in uw omgeving verwonden.

⚠ LET OP: Breng de accu niet met kracht aan. Als de accu niet gemakkelijk in het gereedschap kan worden geschoven, wordt deze niet goed aangebracht.

Accubeveiligingssysteem

Het gereedschap is uitgerust met een accubeveiligingssysteem. Dit systeem sluit automatisch de voeding naar de motor af om de levensduur van de accu te verlengen.

Het gereedschap kan tijdens gebruik automatisch stoppen wanneer het gereedschap en/of de accu aan één van de volgende omstandigheden wordt blootgesteld:

Overbelasting:

Als het gereedschap wordt gebruikt op een manier die een abnormaal hoge stroomsterkte vergt.

Schakel in dat geval het gereedschap uit en stopt u met de toepassing waardoor het gereedschap overbelast raakte. Schakel vervolgens het gereedschap in om het weer te starten.

Als het gereedschap niet start, kan de accu oververhit zijn. In die situatie laat u de accu eerst afkoelen voordat u het gereedschap opnieuw inschakelt.

Onvoldoende accuspanning:

De resterende accucapaciteit is te laag en het gereedschap start niet. Als u het gereedschap inschakelt, draait de motor wel maar stopt kort daarna. In dat geval verwijdert u de accu en laadt u die opnieuw op.

De resterende acculading controleren

Alleen voor accu's met indicatorlampjes

► Fig.2: 1. Indicatorlampjes 2. Testknop

Druk op de testknop op de accu om de resterende acculading te zien. De indicatorlampjes branden gedurende enkele seconden.

Indicatorlampjes		Resterende capaciteit
Brandt	Uit	
■ ■ ■ ■	□	75% tot 100%
■ ■ ■ □	□	50% tot 75%
■ ■ □ □	□	25% tot 50%
■ □ □ □	□	0% tot 25%

OPMERKING: Afhankelijk van de gebruiksomstandigheden en de omgevingstemperatuur, is het mogelijk dat de aangegeven acculading verschilt van de werkelijke acculading.

De trekkerschakelaar gebruiken

⚠ LET OP: Alvorens de accu in het gereedschap te plaatsen, dient u er zeker van te zijn dat het gereedschap is uitgeschakeld.

► Fig.3: 1. Schuifschakelaar

Om het gereedschap te starten, schuift u de schuifschakelaar in de stand "I (AAN)".

Om het gereedschap te stoppen, schuift u de schuifschakelaar in de stand "O (UIT)".

Instellen van het draaislagtempo

► Fig.4: 1. Instelknop

Het draaislagtempo is instelbaar. Om het draaislagtempo in te stellen, draait u de instelknop in een stand van 1 tot 5. Hoe hoger de cijferwaarde, hoe hoger het draaislagtempo. Stel de instelknop in op een cijferwaarde die geschikt is voor uw werkstuk.

OPMERKING: De instelknop kan niet direct worden teruggedraaid van 1 naar 5 of doorgedraaid van 5 naar 1. Als u de instelknop forceert, kan het gereedschap worden beschadigd. Wanneer u de stand van de instelknop verandert, draait u deze door alle tussenliggende nummers heen.

De lamp op de voorkant gebruiken

⚠ LET OP: Kijk niet direct in het lamplicht of in de lichtbron.

► Fig.5: 1. Lamp op de voorkant

Schuif de schuifschakelaar naar de stand "I (AAN)" om de lamp op de voorkant in te schakelen. De lamp blijft branden zolang u de schakelaar in de stand "I (AAN)" staat.

De lamp gaat automatisch uit nadat u op de achterkant van de schuifschakelaar drukt en u deze naar de stand "O (UIT)" schuift.

Overbelastingsbeveiliging

Wanneer het gereedschap overbelast raakt en de temperatuur van het gereedschap of de accu een bepaalde waarde bereikt, zal de lamp op de voorkant knipperen en het gereedschap automatisch stoppen. Hef de oorzaak van de overbelasting op en laat het gereedschap en de accu afkoelen voordat u ze opnieuw gebruikt.

MONTAGE

⚠ LET OP: Zorg altijd dat het gereedschap is uitgeschakeld en de accu ervan is verwijderd alvorens enig werk aan het gereedschap uit te voeren.

Het werktuig aanbrengen of verwijderen

Optioneel accessoire

⚠ WAARSCHUWING: Pas op dat u het werktuig niet ondersteboven aanbrengt. Als u het werktuig ondersteboven plaatst, kan dat het gereedschap beschadigen en soms zelfs ernstig letsel veroorzaken.

OPMERKING: Monteer het werktuig in de juiste richting, die het best voldoet voor uw werkzaamheden. Het werktuig kan worden gemonteerd in enkele standen, met 30 graden er tussen.

Om een werktuig (optioneel accessoire) aan te brengen, plaatst u het werktuig op de gereedschapsflens, zodanig dat de openingen in het werktuig precies over de nokken op de gereedschapsflens passen. Bevestig daarna het werktuig door de bout stevig vast te draaien met de inbussleutel.

► Fig.6: 1. Nokken op de gereedschapsflens 2. Openingen in het werktuig 3. Werktuigmontagebout

► Fig.7: 1. Werktuigmontagebout 2. Inbussleutel 3. Vastdraaien

Om het werktuig te verwijderen draait u de werktuigmontagebout los met behulp van de inbussleutel en haalt u het werktuig van het gereedschap af.

Bij gebruik van het gereedschap als schuurmachine, plaatst u een vel schuurpapier op het schuurblok (klittenbandbevestiging).

Zorg ervoor dat de vorm en de stofafzuigpaten van het schuurpapier overeenkomen met die van het schuurblok.

► Fig.8: 1. Schuurblok 2. Vastdraaien 3. Schuurpapier

Om het schuurpapier te verwijderen, trekt u het uiteinde omhoog en pelt u het los.

Voor gebruik van werktuigen met een afwijkend aansluitstuk maakt u gebruik van een geschikte adapter (optioneel accessoire).

► Fig.9: 1. Werktuigmontagebout 2. Openingen in het werktuig 3. Adapter (vereist voor sommige werktuigen) 4. Nokken op de gereedschapsflens

Opbergen van de inbussleutel

► Fig.10: 1. Inbussleutel

Wanneer u de inbussleutel niet gebruikt, bergt u deze op de plaats aangegeven in de afbeelding op, om te voorkomen dat deze wordt verloren.

BEDIENING

⚠ WAARSCHUWING: Kom vóór en tijdens het werken met het gereedschap niet met uw handen of uw gezicht in de buurt van het werktuig.

⚠ LET OP: Zorg dat het gereedschap niet al te zwaar belast wordt, want daardoor kan de motor van het gereedschap blokkeren en afslaan.

⚠ LET OP: Bedien het gereedschap niet door de accu tegen het gereedschap te duwen.

Snijden, zagen en schuren

⚠ LET OP: Beweeg het gereedschap niet met kracht in een richting (zijwaarts bijvoorbeeld) waarin het werktuig geen snijvlak heeft. Dat zou het gereedschap kunnen beschadigen.

► Fig.11

Plaats het werktuig op uw werkstuk.

Beweeg dan het gereedschap naar voren, zodanig dat dit de beweging van het werktuig niet vertraagt.

OPMERKING: Als u het forceert of te veel druk uitoefent op het gereedschap, wordt de werking minder doeltreffend.

OPMERKING: Vóór het snijden is het aanbevolen het draaislagtempo in te stellen op 3 - 5.

Schuren

⚠ LET OP: Schuurpapier dat al voor metaal is gebruikt mag u niet meer voor hout gebruiken.

⚠ LET OP: Gebruik geen versleten schuurpapier of schuurpapier zonder korrel.

Plaats het schuurpapier op het werkstuk.

► Fig.12

OPMERKING: Het is aanbevolen even proef te draaien met wat testmateriaal, om vooraf het juiste draaislagtempo voor uw werkzaamheden te bepalen.

OPMERKING: Blijf schuurpapier van dezelfde korrelgrootte gebruiken totdat uw hele werkstuk volledig is geschuurd. Als u het schuurpapier tussentijds vervangt door een fijnere of grovere korrel, kunt u mogelijk geen goede afwerking verkrijgen.

Stofzuigaansluitstuk

Optioneel accessoire

⚠ LET OP: Gebruik het stofzuigaansluitstuk niet wanneer u metaal schuurt. Als vonken en hete metaaldeeltjes worden opgezogen, ontstaat rook en ontbranding.

► Fig.13: 1. Aansluitstuk 2. Buisklem 3. Stofzuigbuis 4. Stofmondstuk 5. Afstandshouder 6. Vilten ring (ø 47 mm) 7. Blok (met STARLOCK-markering) 8. Werktuigmontagebout 9. Vilten ring (ø 37 mm) 10. Blok (met OIS-markering)

1. Monteer het aansluitstuk, de stofzuigbuis en het stofmondstuk.
2. Monteer de buisklem zodanig op het gereedschap dat de nokken ervan in de openingen in het gereedschap vallen om hem vast te zetten.
3. Plaats de vilten ring en het schuurblok op het stofmondstuk en zet ze daarna vast met de werktuigmontagebout.

Wanneer u stofvrij wilt werken, kunt u een stofzuiger op het gereedschap aansluiten. Sluit de slang van de stofzuiger aan op het stofzuigaansluitstuk (optioneel accessoire).

► Fig.14

ONDERHOUD

⚠ LET OP: Zorg altijd dat het gereedschap is uitgeschakeld en de accu ervan is verwijderd alvorens te beginnen met onderhoud of inspectie.

KENNISGEVING: Gebruik nooit benzine, benzine, thinner, alcohol en dergelijke. Hierdoor kunnen verkleuring, vervormingen en barsten worden veroorzaakt.

Om de VEILIGHEID en BETROUWBAARHEID van het gereedschap te handhaven, dienen alle reparaties, onderhoud of afstellingen te worden uitgevoerd bij een erkend Makita-servicecentrum of de Makita-fabriek, en altijd met gebruik van Makita-vervangingsonderdelen.

OPTIONELE ACCESSOIRES

⚠ LET OP: Deze accessoires of hulpstukken worden aanbevolen voor gebruik met het Makita gereedschap dat in deze gebruiksaanwijzing is beschreven. Bij gebruik van andere accessoires of hulpstukken bestaat het gevaar van persoonlijke letsel. Gebruik de accessoires of hulpstukken uitsluitend voor hun bestemde doel.

Wenst u meer bijzonderheden over deze accessoires, neem dan contact op met het plaatselijke Makita-servicecentrum.

- Segmentzaagblad
- Rond zaagblad
- Invalzaagblad
- Schraper (onbuigzaam)
- Schraper (buigzaam)
- Gekarteld segmentzaagblad
- Universeel voegenmes
- HM verwijderaar
- HM segmentzaagblad
- HM schuurplaat
- Diamant-segmentzaagblad
- Schuurblok
- Adapter
- Schuurpapier-delta (rood/wit/zwart)
- Kunstvacht-delta (midden/grof/zonder korrel)
- Polijstvielt-delta
- Inbussleutel
- Stofzuigaansluitstuk
- Originele Makita accu's en acculaders

OPMERKING: Sommige items op de lijst kunnen zijn inbegrepen in de doos van het gereedschap als standaard toebehoren. Deze kunnen van land tot land verschillen.

ESPECIFICACIONES

Modelo:	TM30D
Oscilaciones por minuto	6.000 - 20.000 min ⁻¹
Ángulo de oscilación, izquierda/derecha	1,6° (3,2° total)
Tensión nominal	10,8 V - 12 V CC máx.
Longitud total	277 mm - 296 mm
Peso neto	1,1 - 1,3 kg

- Debido a nuestro continuado programa de investigación y desarrollo, las especificaciones aquí dadas están sujetas a cambios sin previo aviso.
- Las especificaciones pueden ser diferentes de país a país.
- El peso puede variar dependiendo del accesorio(s), incluyendo el cartucho de batería. La combinación menos pesada y la más pesada, de acuerdo con el procedimiento EPTA 01/2014, se muestran en la tabla.

Cartucho de batería y cargador aplicables

Cartucho de batería	BL1015 / BL1016 / BL1020B / BL1021B / BL1040B / BL1041B
Cargador	DC10SA / DC10SB / DC10WC / DC10WD / DC18RE

- Algunos de los cartuchos de batería y cargadores indicados arriba puede que no estén disponibles dependiendo de su región de residencia.

⚠ ADVERTENCIA: Utilice solamente los cartuchos de batería y cargadores listados arriba. La utilización de cualquier otro cartucho de batería y cargador puede ocasionar heridas y/o un incendio.

Uso previsto

La herramienta ha sido prevista para serrar y cortar madera, plástico, yeso, metales no ferrosos, y elementos de sujeción (por ejemplo, clavos y grapas no endurecidos). También ha sido prevista para trabajos en azulejos blandos, así como para lijar en seco y raspar superficies pequeñas. Es especialmente indicada para trabajar cerca de bordes y cortar a ras.

Ruido

El nivel de ruido A-ponderado típico determinado de acuerdo con la norma EN62841:

Modo tarea: Lijado
 Nivel de presión sonora (L_{pA}): 75 dB (A)
 Error (K): 3 dB (A)

El nivel de ruido en situación de trabajo puede exceder 80 dB (A).

Modo tarea: Corte con hoja de sierra de corte por inmersión
 Nivel de presión sonora (L_{pA}): 82 dB (A)
 Nivel de potencia sonora (L_{WA}): 93 dB (A)
 Error (K): 3 dB (A)

Modo tarea: Corte con hoja de sierra segmentada
 Nivel de presión sonora (L_{pA}): 81 dB (A)
 Nivel de potencia sonora (L_{WA}): 92 dB (A)
 Error (K): 3 dB (A)

Modo tarea: Raspar
 Nivel de presión sonora (L_{pA}): 81 dB (A)
 Nivel de potencia sonora (L_{WA}): 92 dB (A)
 Error (K): 3 dB (A)

NOTA: El valor (o los valores) de emisión de ruido declarado ha sido medido de acuerdo con un método de prueba estándar y se puede utilizar para comparar una herramienta con otra.

NOTA: El valor (o valores) de emisión de ruido declarado también se puede utilizar en una valoración preliminar de exposición.

⚠ ADVERTENCIA: Póngase protectores para oídos.

⚠ ADVERTENCIA: La emisión de ruido durante la utilización real de la herramienta eléctrica puede variar del valor (o los valores) de emisión declarado dependiendo de las formas en las que la herramienta sea utilizada, especialmente qué tipo de pieza de trabajo se procesa.

⚠ ADVERTENCIA: Asegúrese de identificar medidas de seguridad para proteger al operario que estén basadas en una estimación de la exposición en las condiciones reales de utilización (teniendo en cuenta todas las partes del ciclo operativo como las veces cuando la herramienta está apagada y cuando está funcionando en vacío además del tiempo de gatillo).

Vibración

El valor total de la vibración (suma de vectores triaxiales) determinado de acuerdo con la norma EN62841:

Modo tarea: Lijado
 Emisión de vibración (a_h): 2,5 m/s² o menos
 Error (K): 1,5 m/s²

Modo tarea: Corte con hoja de sierra de corte por inmersión
 Emisión de vibración (a_h): 10,5 m/s²
 Error (K): 1,5 m/s²

Modo tarea: Corte con hoja de sierra segmentada

Emisión de vibración (a_{h1}): 5,5 m/s²

Error (K): 1,5 m/s²

Modo tarea: Raspar

Emisión de vibración (a_{h1}): 9,0 m/s²

Error (K): 1,5 m/s²

NOTA: El valor (o los valores) total de emisión de vibración declarado ha sido medido de acuerdo con un método de prueba estándar y se puede utilizar para comparar una herramienta con otra.

NOTA: El valor (o los valores) total de emisión de vibración declarado también se puede utilizar en una valoración preliminar de exposición.

⚠ADVERTENCIA: La emisión de vibración durante la utilización real de la herramienta eléctrica puede variar del valor (o los valores) de emisión declarado dependiendo de las formas en las que la herramienta sea utilizada, especialmente qué tipo de pieza de trabajo se procesa.

⚠ADVERTENCIA: Asegúrese de identificar medidas de seguridad para proteger al operario que estén basadas en una estimación de la exposición en las condiciones reales de utilización (teniendo en cuenta todas las partes del ciclo operativo como las veces cuando la herramienta está apagada y cuando está funcionando en vacío además del tiempo de gatillo).

Declaración CE de conformidad

Para países europeos solamente

La declaración CE de conformidad está incluida como Anexo A de esta manual de instrucciones.

ADVERTENCIAS DE SEGURIDAD

Advertencias de seguridad para herramientas eléctricas en general

⚠ADVERTENCIA: Lea todas las advertencias de seguridad, instrucciones, ilustraciones y especificaciones provistas con esta herramienta eléctrica. Si no sigue todas las instrucciones indicadas abajo podrá resultar en una descarga eléctrica, un incendio y/o heridas graves.

Guarde todas las advertencias e instrucciones para futuras referencias.

El término "herramienta eléctrica" en las advertencias se refiere a su herramienta eléctrica de funcionamiento con conexión a la red eléctrica (con cable) o herramienta eléctrica de funcionamiento a batería (sin cable).

Advertencias de seguridad para la multitool inalámbrica

1. Esta herramienta eléctrica ha sido prevista para **serrar, cortar, amolar y lijar**. Lea todas las advertencias de seguridad, instrucciones, ilustraciones y especificaciones previstas con esta herramienta eléctrica. Si no sigue todas las instrucciones indicadas a continuación, podrá ocasionar una descarga eléctrica, un incendio y/o heridas graves.
2. Cuando realice una operación en la que el accesorio de corte pueda entrar en contacto con cableado oculto, sujete la herramienta eléctrica por las superficies de asimiento aisladas. El contacto del accesorio de corte con un cable con corriente hará que la corriente circule por las partes metálicas expuestas de la herramienta eléctrica y podrá soltar una descarga eléctrica al operario.
3. Utilice mordazas u otros medios de sujeción prácticos para sujetar y apoyar la pieza de trabajo en una plataforma estable. Sujetada con la mano o contra su cuerpo, la pieza de trabajo estará inestable y podrá ocasionar la pérdida del control.
4. Utilice siempre gafas de seguridad o gafas de protección. Las gafas normales o de sol NO sirven para proteger los ojos.
5. Evite cortar clavos. Inspeccione la pieza de trabajo para ver si tiene algún clavo y quítelos antes de iniciar la operación.
6. Sujete la herramienta firmemente.
7. Asegúrese de que la herramienta de trabajo no esté haciendo contacto con la pieza de trabajo antes de activar el interruptor.
8. Mantenga las manos alejadas de las partes en movimiento.
9. No deje la herramienta en marcha. Tenga en marcha la herramienta solamente cuando la tenga en la mano.
10. Apague siempre la herramienta y espere hasta que la hoja se haya parado completamente antes de retirar la hoja de la pieza de trabajo.
11. No toque la herramienta de trabajo ni la pieza de trabajo inmediatamente después de la operación; estarán muy calientes y podrán quemarle la piel.
12. No utilice la herramienta en vacío innecesariamente.
13. Utilice siempre la mascarilla contra el polvo/respirador correcto para el material con que esté trabajando y la aplicación que realice.
14. Algunos materiales contienen sustancias químicas que podrán ser tóxicas. Tenga precaución para evitar la inhalación de polvo y el contacto con la piel. Siga los datos de seguridad del abastecedor del material.
15. Esta herramienta no es a prueba de agua, por lo que no deberá utilizar agua en la superficie de la pieza de trabajo.
16. Ventile debidamente su área de trabajo cuando realice operaciones de lijado.
17. La utilización de esta herramienta para lijar algunos productos, pinturas y madera podrá exponer al usuario a polvo que contenga sustancias peligrosas. Utilice protección respiratoria apropiada.

18. Asegúrese de que no haya grietas o roturas en el plato antes de utilizarlo. Las grietas y roturas pueden ocasionar heridas personales.
19. No utilice accesorios que no estén específicamente diseñados y recomendados por el fabricante de la herramienta. Solamente porque el accesorio pueda ser instalado en su herramienta eléctrica, no quiere decir que su operación sea segura.
20. Póngase equipo de protección personal. En función de la aplicación, utilice pantalla facial, gafas de protección o gafas de seguridad. Según corresponda, póngase protectores auditivos, guantes y delante de taller que pueda detener los pequeños fragmentos abrasivos o de pieza de trabajo. La protección de los ojos deberá ser capaz de detener los restos que salen volando generados en las diferentes operaciones. La mascarilla contra el polvo o respirador deberá ser capaz de filtrar las partículas generadas en su operación. La exposición prolongada a ruido de alta intensidad podrá ocasionar pérdida auditiva.
21. Mantenga a los curiosos a una distancia segura alejados del área de trabajo. Cualquier persona que entre en el área de trabajo deberá usar equipo de protección personal. Los fragmentos de la pieza de trabajo o de un accesorio roto pueden salir volando y ocasionar heridas más allá del área de operación inmediata.
22. No deje nunca la herramienta eléctrica hasta que el accesorio se haya detenido completamente. El accesorio giratorio puede agarrarse en la superficie y tirar de la herramienta eléctrica dejándola fuera de control.
23. No tenga la herramienta eléctrica encendida mientras la lleva en su costado. Un contacto accidental con el accesorio podría enganchar sus ropas, y arrastrar el accesorio hacia su cuerpo.
24. No utilice la herramienta eléctrica cerca de materiales inflamables. Las chispas pueden prender estos materiales.
25. No utilice accesorios que requieran refrigerantes líquidos. La utilización de agua u otros refrigerantes líquidos puede resultar en electrocución o descarga eléctrica.
26. Asegúrese siempre de que la herramienta esté apagada y desenchufada o que el cartucho de batería haya sido extraído antes de realizar cualquier trabajo en la herramienta.
27. Asegúrese siempre de que tiene suelo firme. Asegúrese de que no haya nadie debajo cuando utilice la herramienta en lugares altos.

GUARDE ESTAS INSTRUCCIONES.

⚠ADVERTENCIA: NO deje que la comodidad o familiaridad con el producto (a base de utilizarlo repetidamente) sustituya la estricta observancia de las normas de seguridad para el producto en cuestión. El MAL USO o el no seguir las normas de seguridad establecidas en este manual de instrucciones podrá ocasionar graves heridas personales.

Instrucciones de seguridad importantes para el cartucho de batería

1. Antes de utilizar el cartucho de batería, lea todas las instrucciones e indicaciones de precaución sobre (1) el cargador de baterías, (2) la batería, y (3) el producto con el que se utiliza la batería.
2. No desarme el cartucho de batería.
3. Si el tiempo de uso se acorta demasiado, cese la operación inmediatamente. Podría resultar en un riesgo de recalentamiento, posibles quemaduras e incluso una explosión.
4. Si entra electrólito en sus ojos, aclárelos con agua limpia y acuda a un médico inmediatamente. Existe el riesgo de poder perder la vista.
5. No cortocircuite el cartucho de batería:
 - (1) No toque los terminales con ningún material conductor.
 - (2) Evite guardar el cartucho de batería en un cajón junto con otros objetos metálicos, como clavos, monedas, etc.
 - (3) No exponga el cartucho de batería al agua ni a la lluvia.

Un cortocircuito en la batería puede producir una gran circulación de corriente, un recalentamiento, posibles quemaduras e incluso una rotura de la misma.

6. No guarde la herramienta y el cartucho de batería en lugares donde la temperatura pueda alcanzar o exceder los 50 °C.
7. Nunca incinere el cartucho de batería incluso en el caso de que esté dañado seriamente o ya no sirva en absoluto. El cartucho de batería puede explotar si se tira al fuego.
8. Tenga cuidado de no dejar caer ni golpear el cartucho de batería.
9. No utilice una batería dañada.
10. Las baterías de litio-ion contenidas están sujetas a los requisitos de la Legislación para Materiales Peligrosos. Para transportes comerciales, p.ej., por terceras personas y agentes de transportes, se deberán observar requisitos especiales para el empaquetado y etiquetado. Para la preparación del artículo que se va a enviar, se requiere consultar con un experto en materiales peligrosos. Por favor, observe también la posibilidad de reglamentos nacionales más detallados. Cubra con cinta aislante o enmascare los contactos expuestos y empaquete la batería de tal manera que no se pueda mover alrededor dentro del embalaje.
11. Siga los reglamentos locales referentes al desecho de la batería.
12. Utilice las baterías solamente con los productos especificados por Makita. La instalación de las baterías en productos no compatibles puede resultar en un incendio, calor excesivo, explosión, o fuga de electrólito.

GUARDE ESTAS INSTRUCCIONES.

⚠PRECAUCIÓN: Utilice solamente baterías genuinas de Makita. La utilización de baterías no genuinas de Makita, o baterías que han sido alteradas, puede resultar en una explosión de la batería ocasionando incendios, heridas personales y daños. También anulará la garantía de Makita para la herramienta y el cargador de Makita.

Consejos para alargar al máximo la vida de servicio de la batería

1. Cargue el cartucho de batería antes de que se descargue completamente. Detenga siempre la operación y cargue el cartucho de batería cuando note menos potencia en la herramienta.
2. No cargue nunca un cartucho de batería que esté completamente cargado. La sobrecarga acortará la vida de servicio de la batería.
3. Cargue el cartucho de batería a temperatura ambiente de 10 °C - 40 °C. Si un cartucho de batería está caliente, déjelo enfriar antes de cargarlo.

DESCRIPCIÓN DEL FUNCIONAMIENTO

⚠ PRECAUCIÓN: Asegúrese siempre de que la herramienta está apagada y el cartucho de batería retirado antes de realizar cualquier ajuste o comprobación en la herramienta.

Instalación o extracción del cartucho de batería

⚠ PRECAUCIÓN: Apague siempre la herramienta antes de instalar o retirar el cartucho de batería.

⚠ PRECAUCIÓN: Sujete la herramienta y el cartucho de batería firmemente cuando instale o retire el cartucho de batería. Si no sujeta la herramienta y el cartucho de batería firmemente podrán caérsele de las manos y resultar en daños a la herramienta y al cartucho de batería y heridas personales.

► Fig.1: 1. Indicador rojo 2. Botón 3. Cartucho de batería

Para retirar el cartucho de batería, deslícelo de la herramienta mientras desliza el botón de la parte frontal del cartucho.

Para instalar el cartucho de batería, alinee la lengüeta del cartucho de batería con la ranura de la carcasa y deslícelo hasta que encaje en su sitio. Insértelo a tope hasta que se bloquee en su sitio produciendo un pequeño chasquido. Si puede ver el indicador rojo en el lado superior del botón, no estará bloqueado completamente.

⚠ PRECAUCIÓN: Instale siempre el cartucho de batería completamente hasta que no pueda verse el indicador rojo. En caso contrario, podrá caerse accidentalmente de la herramienta y ocasionarle heridas a usted o a alguien que esté cerca de usted.

⚠ PRECAUCIÓN: No instale el cartucho de batería empleando fuerza. Si el cartucho no se desliza al interior fácilmente, será porque no está siendo insertado correctamente.

Sistema de protección de la batería

La herramienta está equipada con un sistema de protección de la batería. Este sistema corta automáticamente la alimentación del motor para alargar la vida útil de la batería. La herramienta se detendrá automáticamente durante la operación si la herramienta y/o la batería son puestas en una de las condiciones siguientes:

Sobrecargada:

La herramienta es utilizada de una manera que da lugar a que tenga que absorber una corriente anormalmente alta. En esta situación, apague la herramienta y detenga la aplicación que ocasiona que la herramienta se sobrecargue. Después encienda la herramienta para volver a empezar. Si la herramienta no se pone en marcha, la batería estará recalentada. En esta situación, deje que la batería se enfríe antes de encender la herramienta otra vez.

Tensión baja en la batería:

La capacidad de batería restante es muy baja y la herramienta no funcionará. Si enciende la herramienta, el motor se pondrá en marcha otra vez pero se detendrá enseguida. En esta situación, retire la batería y vuelva a cargarla.

Modo de indicar la capacidad de batería restante

Solamente para cartuchos de batería con el indicador

► Fig.2: 1. Lámparas indicadoras 2. Botón de comprobación

Presione el botón de comprobación en el cartucho de batería para indicar la capacidad de batería restante. Las lámparas indicadoras se iluminan durante unos pocos segundos.

Lámparas de indicación		Capacidad restante
Iluminada	Apagada	
■ ■ ■ ■	□	75% a 100%
■ ■ ■ □	□	50% a 75%
■ ■ □ □	□	25% a 50%
■ □ □ □	□	0% a 25%

NOTA: Dependiendo de las condiciones de utilización y de la temperatura ambiente, la indicación podrá variar ligeramente de la capacidad real.

Accionamiento del interruptor

⚠ PRECAUCIÓN: Antes de instalar el cartucho de batería en la herramienta, compruebe siempre para asegurarse de que la herramienta está apagada.

► Fig.3: 1. Interruptor deslizable

Para poner en marcha la herramienta, deslice el interruptor deslizable hacia la posición "I (Encender)". Para detener la herramienta, deslice el interruptor deslizable hacia la posición "O (Apagar)".

Ajuste del rango de la carrera orbital

► Fig.4: 1. Dial

El rango de la carrera orbital se puede ajustar. Para cambiar el rango de la carrera orbital, gire el dial entre 1 y 5. Cuanto más alto sea el número, mayor será el rango de la carrera orbital. Preajuste el dial en el número apropiado para su pieza de trabajo.

NOTA: El dial no se puede girar directamente del 1 al 5 o del 5 al 1. Si fuerza el dial podrá dañar la herramienta. Cuando cambie la dirección del dial, gire siempre el dial moviéndolo a través de cada número intermedio.

Encendido de la lámpara delantera

⚠PRECAUCIÓN: No mire a la luz ni vea la fuente de luz directamente.

► Fig.5: 1. Lámpara delantera

Deslice el interruptor deslizable hacia la posición "I (Encender)" para encender la lámpara delantera. La lámpara seguirá encendida mientras el interruptor esté en la posición "I (Encender)".

La luz se apagará automáticamente después de presionar la parte trasera del interruptor deslizable, y de deslizar después el interruptor deslizable hacia la posición "O (Apagar)".

Protección contra la sobrecarga

Cuando la herramienta esté sobrecargada y la temperatura de la herramienta o del cartucho de batería alcance un cierto nivel, la lámpara delantera parpadeará y la herramienta se detendrá automáticamente. Retire la causa de la sobrecarga, y enfríe la herramienta y el cartucho de batería para volver a ponerla en marcha.

MONTAJE

⚠PRECAUCIÓN: Asegúrese siempre de que la herramienta está apagada y el cartucho de batería retirado antes de realizar cualquier trabajo en la herramienta.

Instalación o desmontaje de la herramienta de trabajo

Accesorios opcionales

⚠ADVERTENCIA: No instale la herramienta de trabajo al revés. Si instala la herramienta de trabajo al revés podrá dañar la herramienta y ocasionar heridas personales graves.

NOTA: Instale la herramienta de trabajo en la dirección correcta de acuerdo con su tarea. La herramienta de trabajo se puede instalar en un ángulo de cada 30 grados.

Para instalar una herramienta de trabajo (accesorio opcional), ponga la herramienta de trabajo en la brida de la herramienta de forma que las protuberancias de la brida de la herramienta encajen en los agujeros de la herramienta de trabajo. Después sujete la herramienta de trabajo apretando el perno firmemente con la llave hexagonal.

► **Fig.6:** 1. Protuberancias de la brida de la herramienta 2. Agujeros en la herramienta de trabajo 3. Perno de instalación de la herramienta de trabajo

► **Fig.7:** 1. Perno de instalación de la herramienta de trabajo 2. Llave hexagonal 3. Apretar

Para retirar la herramienta de trabajo, afloje y retire el perno de instalación de la herramienta de trabajo utilizando una llave hexagonal y después quite la herramienta de trabajo.

Cuando utilice la herramienta como lijadora, ajuste un papel de lijar en el plato para lijar (fijación tipo gancho y lazo).

Asegúrese de que sus formas y los agujeros de extracción de polvo coincidan entre sí cuando ponga el papel.

► **Fig.8:** 1. Plato para lijar 2. Apretar 3. Papel de lijar
Para quitar el papel de lijar, levante el borde del mismo y despréndalo.

Cuando utilice herramientas de trabajo con una sección de instalación de tipo diferente, utilice un adaptador correcto (accesorio opcional).

► **Fig.9:** 1. Perno de instalación de la herramienta de trabajo 2. Agujeros en la herramienta de trabajo 3. Adaptador (se requiere para algunas herramientas de trabajo) 4. Protuberancias de la brida de la herramienta

Para guardar la llave hexagonal

► **Fig.10:** 1. Llave hexagonal

Cuando no la esté utilizando, coloque la llave hexagonal como se muestra en la figura para evitar perderla.

OPERACIÓN

⚠ADVERTENCIA: Antes de poner en marcha la herramienta y durante la operación, mantenga sus manos y cara alejadas de la herramienta de trabajo.

⚠PRECAUCIÓN: No aplique una carga excesiva a la herramienta ya que podrá ocasionar el bloqueo del motor y que se detenga la herramienta.

⚠PRECAUCIÓN: No utilice la herramienta presionando el cartucho de batería contra la herramienta.

Cortar, serrar y raspar

⚠ PRECAUCIÓN: No mueva la herramienta a la fuerza en la dirección de la herramienta de trabajo (por ejemplo, hacia los lados) sin el borde de corte. Podría dañar la herramienta.

► Fig.11

Ponga la herramienta de trabajo sobre la pieza de trabajo. Y después mueva la herramienta hacia adelante de forma que el movimiento de la herramienta de trabajo no se reduzca.

NOTA: Si ejerce fuerza o presión excesiva en la herramienta podrá reducir la eficacia.

NOTA: Antes de realizar la operación de corte, se recomienda preajustar el rango de la carrera orbital entre 3 - 5.

Lijado

⚠ PRECAUCIÓN: No vuelva a utilizar un papel de lijar usado para lijar metal para lijar madera.

⚠ PRECAUCIÓN: No utilice un papel de lijar gastado o papel de lijar sin granúlos.

Aplique un papel de lijar sobre la pieza de trabajo.

► Fig.12

NOTA: Se recomienda utilizar una muestra de material para probar a fin de determinar un rango de carrera orbital correcto apropiado para su tarea.

NOTA: Utilice un papel de lijar con el mismo gránulo hasta completar el lijado de toda la pieza de trabajo. Si reemplaza un papel de lijar con papel de lijar de gránulo diferente podrá no obtener un acabado fino.

Accesorio de extracción de polvo

Accesorios opcionales

⚠ PRECAUCIÓN: No utilice el accesorio de extracción de polvo cuando lije metal. La succión de chispas y partículas calientes resultará en humo e ignición.

► Fig.13: 1. Junta 2. Banda para boquilla 3. Boquilla de recogida de polvo 4. Accesorio para recogida de polvo 5. Espaciador 6. Anillo de fieltro (Ø 47 mm) 7. Plato (con la marca STARLOCK) 8. Perno de instalación de la herramienta de trabajo 9. Anillo de fieltro (Ø 37 mm) 10. Plato (con la marca OIS)

1. Instale la junta, la boquilla de recogida de polvo y el accesorio para recogida de polvo.

2. Instale la banda para boquilla en la herramienta de forma que sus protuberancias encajen en los agujeros de la herramienta para sujetarla.

3. Ponga el anillo de fieltro y el plato para lijar en el accesorio para recogida de polvo y después sujételos con el perno de instalación de la herramienta de trabajo.

Para realizar operaciones más limpias, conecte un aspirador a la herramienta. Conecte una manguera del aspirador al accesorio de extracción de polvo (accesorio opcional).

► Fig.14

MANTENIMIENTO

⚠ PRECAUCIÓN: Asegúrese siempre de que la herramienta está apagada y de que el cartucho de batería está retirado antes de intentar hacer una inspección o mantenimiento.

AVISO: No utilice nunca gasolina, bencina, disolvente, alcohol o similares. Podría producir descoloración, deformación o grietas.

Para mantener la SEGURIDAD y FIABILIDAD del producto, las reparaciones, y cualquier otra tarea de mantenimiento o ajuste deberán ser realizadas en centros de servicio o de fábrica autorizados por Makita, empleando siempre repuestos Makita.

ACCESORIOS OPCIONALES

⚠ PRECAUCIÓN: Estos accesorios o aditamentos están recomendados para su uso con la herramienta Makita especificada en este manual. El uso de cualquier otro accesorio o aditamento puede suponer un riesgo de heridas personales. Utilice el accesorio o aditamento solamente con la finalidad indicada para el mismo.

Si necesita cualquier ayuda para más detalles en relación con estos accesorios, pregunte al centro de servicio Makita local.

- Hoja de sierra segmentada
- Hoja de sierra redonda
- Hoja de sierra de corte por inmersión
- Raspador (rígido)
- Raspador (flexible)
- Hoja segmentada serrada
- Cortadora de juntas general
- Removedor HM
- Hoja de sierra segmentada HM
- Placa de lijar HM
- Hoja de sierra segmentada de diamante
- Plato para lijar
- Adaptador
- Papel abrasivo delta (rojo / blanco / negro)
- Delta de lana (medio / basta / sin gránulo)
- Delta de fieltro para pulir
- Llave hexagonal
- Accesorio de extracción de polvo
- Batería y cargador genuinos de Makita

NOTA: Algunos elementos de la lista podrán estar incluidos en el paquete de la herramienta como accesorios estándar. Pueden variar de un país a otro.

ESPECIFICAÇÕES

Modelo:	TM30D
Oscilação por minuto	6.000 - 20.000 min ⁻¹
Ângulo de oscilação, esquerdo/direito	1,6° (3,2° total)
Tensão nominal	CC 10,8 V - 12 V máx.
Comprimento total	277 mm - 296 mm
Peso líquido	1,1 - 1,3 kg

- Devido a um programa contínuo de pesquisa e desenvolvimento, estas especificações estão sujeitas a alteração sem aviso prévio.
- As especificações podem variar de país para país.
- O peso poderá diferir em função do acessório(s), incluindo a bateria. A combinação mais leve e mais pesada, de acordo com o Procedimento EPTA 01/2014, é apresentada na tabela.

Bateria e carregador aplicável

Bateria	BL1015 / BL1016 / BL1020B / BL1021B / BL1040B / BL1041B
Carregador	DC10SA / DC10SB / DC10WC / DC10WD / DC18RE

- Algumas das baterias e carregadores listados acima poderão não estar disponíveis, dependendo da sua região de residência.

AVISO: Utilize apenas as baterias e carregadores listados acima. A utilização de quaisquer outras baterias e carregadores pode causar ferimentos e/ou um incêndio.

Utilização a que se destina

A ferramenta serve para serrar e cortar madeira, plástico, gesso, metais não ferrosos e apertar componentes (por exemplo, pregos e agrafos não endurecidos).

Serve também para trabalhar em azulejos de parede macios, assim como lixagem a seco e raspagem de pequenas superfícies. Serve especialmente para trabalhar próximo de extremidades e cortes rentes.

Ruído

A característica do nível de ruído A determinado de acordo com a EN62841:

Modo de funcionamento: Lixagem
 Nível de pressão acústica (L_{pA}): 75 dB (A)
 Variabilidade (K): 3 dB (A)

O nível de ruído durante o funcionamento pode exceder 80 dB (A).

Modo de funcionamento: Corte com lâmina de serra de corte penetrante

Nível de pressão acústica (L_{pA}): 82 dB (A)
 Nível de potência acústica (L_{WA}): 93 dB (A)
 Variabilidade (K): 3 dB (A)

Modo de funcionamento: Corte com lâmina de serra segmentada

Nível de pressão acústica (L_{pA}): 81 dB (A)
 Nível de potência acústica (L_{WA}): 92 dB (A)
 Variabilidade (K): 3 dB (A)

Modo de funcionamento: Raspagem

Nível de pressão acústica (L_{pA}): 81 dB (A)
 Nível de potência acústica (L_{WA}): 92 dB (A)
 Variabilidade (K): 3 dB (A)

NOTA: O(s) valor(es) da emissão de ruído indicado(s) foi medido de acordo com um método de teste padrão e pode ser utilizado para comparar duas ferramentas.

NOTA: O(s) valor(es) da emissão de ruído indicado(s) pode também ser utilizado na avaliação preliminar da exposição.

AVISO: Utilize protetores auriculares.

AVISO: A emissão de ruído durante a utilização real da ferramenta elétrica pode diferir do(s) valor(es) indicado(s), dependendo das formas como a ferramenta é utilizada, especialmente o tipo de peça de trabalho que é processada.

AVISO: Certifique-se de identificar as medidas de segurança para proteção do operador que sejam baseadas em uma estimativa de exposição em condições reais de utilização (considerando todas as partes do ciclo de operação, tal como quando a ferramenta está desligada e quando está a funcionar em marcha lenta além do tempo de acionamento).

Vibração

Valor total da vibração (soma vetorial tri-axial) determinado de acordo com a EN62841:

Modo de funcionamento: Lixagem
 Emissão de vibração (a_{hv}): 2,5 m/s² ou menos
 Variabilidade (K): 1,5 m/s²

Modo de funcionamento: Corte com lâmina de serra de corte penetrante

Emissão de vibração (a_{hv}): 10,5 m/s²
 Variabilidade (K): 1,5 m/s²

Modo de funcionamento: Corte com lâmina de serra segmentada

Emissão de vibração (a_h): 5,5 m/s²

Variabilidade (K): 1,5 m/s²

Modo de funcionamento: Raspagem

Emissão de vibração (a_h): 9,0 m/s²

Variabilidade (K): 1,5 m/s²

NOTA: O(s) valor(es) total(ais) de vibração indicado(s) foi medido de acordo com um método de teste padrão e pode ser utilizado para comparar duas ferramentas.

NOTA: O(s) valor(es) total(ais) de vibração indicado(s) pode também ser utilizado na avaliação preliminar da exposição.

⚠️ AVISO: A emissão de vibração durante a utilização real da ferramenta elétrica pode diferir do(s) valor(es) indicado(s), dependendo das formas como a ferramenta é utilizada, especialmente o tipo de peça de trabalho que é processada.

⚠️ AVISO: Certifique-se de identificar as medidas de segurança para proteção do operador que sejam baseadas em uma estimativa de exposição em condições reais de utilização (considerando todas as partes do ciclo de operação, tal como quando a ferramenta está desligada e quando está a funcionar em marcha lenta além do tempo de acionamento).

Declaração de conformidade da CE

Apenas para os países europeus

A declaração de conformidade da CE está incluída como Anexo A neste manual de instruções.

AVISOS DE SEGURANÇA

Avisos gerais de segurança para ferramentas elétricas

⚠️ AVISO: Leia todos os avisos de segurança, instruções, ilustrações e especificações fornecidos com esta ferramenta elétrica. O não cumprimento de todas as instruções indicadas em baixo pode resultar em choque elétrico, incêndio e/ou ferimentos graves.

Guarde todos os avisos e instruções para futuras referências.

O termo "ferramenta elétrica" nos avisos refere-se às ferramentas elétricas ligadas à corrente elétrica (com cabo) ou às ferramentas elétricas operadas por meio de bateria (sem cabo).

Avisos de segurança para a multicortadora oscilante a bateria

1. Esta ferramenta elétrica serve para serrar, cortar, esmerilar e lixar. Leia todos os avisos de segurança, instruções, ilustrações e especificações fornecidos com esta ferramenta elétrica. O desrespeito de todas as instruções abaixo pode resultar em choque elétrico, incêndio e/ou ferimento grave.
2. **Segure na ferramenta elétrica pelas superfícies de aderência isoladas, quando executar uma operação em que o acessório de corte possa entrar em contacto com fios ocultos.** O acessório de corte que entra em contacto com um fio com corrente pode passar essa corrente para as partes metálicas expostas da ferramenta elétrica e provocar um choque elétrico no operador.
3. Use grampos ou outra forma prática de fixar e apoiar a peça de trabalho numa plataforma estável. Segurar na peça de trabalho com a mão ou contra o corpo deixa-o instável e pode conduzir à perda de controlo.
4. Use sempre óculos de segurança ou óculos de proteção. Os óculos normais ou de sol NÃO são óculos de segurança.
5. Evite cortar pregos. Inspeccione a peça de trabalho para ver se existem pregos e retire-os antes da operação.
6. Segure a ferramenta firmemente.
7. Certifique-se de que a ferramenta de aplicação não está em contacto com a peça de trabalho antes de ligar o interruptor.
8. Mantenha as mãos afastadas das partes em movimento.
9. Não deixe a ferramenta a funcionar. Utilize a ferramenta apenas quando estiver a agarrá-la na mão.
10. Desligue sempre e espere que lâmina pare completamente antes de retirar a lâmina da peça de trabalho.
11. Não toque na ferramenta de aplicação ou na peça de trabalho imediatamente após a operação. Podem estar extremamente quentes e queimar a sua pele.
12. Não opere a ferramenta sem carga desnecessariamente.
13. Use sempre a máscara/respirador anti-poeira correto para o material e aplicação em que está a trabalhar.
14. Alguns materiais contêm químicos que podem ser tóxicos. Tome cuidado para evitar a inalação de poeira e o contacto com a pele. Siga os dados de segurança do fornecedor do material.
15. Esta ferramenta não foi impermeabilizada, por isso, não use água na superfície da peça de trabalho.
16. Ventile adequadamente a sua área de trabalho quando executar operações de lixagem.
17. O uso desta ferramenta para lixar alguns produtos, tintas e madeira pode expor o utilizador a poeiras que contêm substâncias perigosas. Use proteção respiratória adequada.
18. Certifique-se de que não existem fendas ou fissuras no patim antes de utilizar. As fendas ou fissuras podem provocar ferimentos pessoais.
19. Não use acessórios que não sejam especificamente concebidos e recomendados pelo fabricante da ferramenta. Pelo facto de o acessório poder ser acoplado à ferramenta elétrica, isso não assegura a operação segura.
20. Use equipamento de proteção pessoal. Dependendo da aplicação, use viseira, óculos de proteção ou óculos de segurança. Conforme necessário, use protetores para os ouvidos, luvas e avental de oficina capazes de travar pequenos fragmentos abrasivos ou fragmentos da peça de trabalho. A proteção ocular deve ser capaz de travar a projeção de detritos gerados por várias operações. A máscara ou respirador anti-poeira deve ser capaz de filtrar as partículas geradas pela sua operação. A exposição prolongada a ruído de alta intensidade pode causar perda auditiva.

21. **Mantenha as pessoas presentes afastadas da área de trabalho a uma distância segura.** Qualquer pessoa que entre na área de trabalho deve usar equipamento de proteção pessoal. Os fragmentos da peça de trabalho ou de um acessório partido podem projetar-se e provocar ferimentos para além da área imediata de operação.
 22. **Nunca pouse a ferramenta elétrica até o acessório parar por completo.** O acessório giratório pode agarrar a superfície e fazê-lo perder o controlo da ferramenta elétrica.
 23. **Não deixe a ferramenta elétrica a funcionar enquanto a transporta ao seu lado.** O contacto accidental com o acessório pode prender-se ao seu vestuário, puxando o acessório para o seu corpo.
 24. **Não opere a ferramenta elétrica próximo de materiais inflamáveis.** As faíscas podem incendiar esses materiais.
 25. **Não use acessórios que precisem de refrigerantes líquidos.** O uso de água ou outros refrigerantes líquidos pode resultar em eletrocussão ou choque.
 26. **Certifique-se sempre de que a ferramenta está desligada e com a ficha retirada da tomada elétrica ou que a bateria foi retirada antes de executar qualquer trabalho na ferramenta.**
 27. **Certifique-se sempre de que possui uma base firme. Certifique-se de que ninguém está por baixo quando usa a ferramenta em locais elevados.**
6. **Não guarde a ferramenta e a bateria em locais onde a temperatura pode atingir ou exceder 50°C.**
 7. **Não queime a bateria mesmo que esteja estragada ou completamente gasta. A bateria pode explodir no fogo.**
 8. **Tenha cuidado para não deixar cair ou dar pancadas na bateria.**
 9. **Não utilize uma bateria danificada.**
 10. **As baterias de íões de lítio contidas na ferramenta são sujeitas aos requisitos da DGL (Dangerous Goods Legislation - Legislação de bens perigosos).**
Para o transporte comercial, por exemplo, por terceiros ou agentes de expedição, têm de ser observados os requisitos referentes à embalagem e etiquetagem.
Para preparação do artigo a ser expedido, é necessário consultar um perito em materiais perigosos. Tenha ainda em conta a possibilidade de existirem regulamentos nacionais mais detalhados.
Coloque fita-cola ou tape os contactos abertos e embale a bateria de tal forma que não possa mover-se dentro da embalagem.
 11. **Siga os regulamentos locais relacionados com a eliminação de baterias.**
 12. **Utilize as baterias apenas com os produtos especificados pela Makita.** Instalar as baterias em produtos não-conformes poderá resultar num incêndio, calor excessivo, explosão ou fuga de eletrólito.

GUARDE ESTAS INSTRUÇÕES.

⚠️AVISO: NÃO permita que o conforto ou familiaridade com o produto (adquirido com o uso repetido) substitua o cumprimento estrito das regras de segurança da ferramenta. A MÁ INTERPRETAÇÃO ou o não seguimento das regras de segurança estabelecidas neste manual de instruções pode provocar ferimentos pessoais graves.

Instruções de segurança importantes para a bateria

1. **Antes de utilizar a bateria, leia todas as instruções e etiquetas de precaução no (1) carregador de bateria (2) bateria e (3) produto que utiliza a bateria.**
2. **Não abra a bateria.**
3. **Se o tempo de funcionamento se tornar excessivamente curto, pare o funcionamento imediatamente. Pode resultar em sobreaquecimento, possíveis queimaduras e mesmo explosão.**
4. **Se entrar eletrólito nos seus olhos, lave-os com água e consulte imediatamente um médico. Pode resultar em perda de visão.**
5. **Não coloque a bateria em curto-circuito:**
 - (1) **Não toque nos terminais com qualquer material condutor.**
 - (2) **Evite guardar a bateria juntamente com outros objetos metálicos tais como pregos, moedas, etc.**
 - (3) **Não exponha a bateria à água ou chuva.**

- Um curto-circuito pode ocasionar um enorme fluxo de corrente, sobreaquecimento, possíveis queimaduras e mesmo estragar-se.

GUARDE ESTAS INSTRUÇÕES.

⚠️PRECAUÇÃO: Utilize apenas baterias genuínas da Makita. A utilização de baterias não genuínas da Makita ou de baterias que foram alteradas, pode resultar no reventamento da bateria provocando incêndios, ferimentos pessoais e danos. Além disso, anulará da garantia da Makita no que se refere à ferramenta e ao carregador Makita.

Conselhos para manter a máxima vida útil da bateria

1. **Carregue a bateria antes que esteja completamente descarregada. Pare sempre o funcionamento da ferramenta e carregue a bateria quando notar menos poder na ferramenta.**
2. **Nunca carregue uma bateria completamente carregada. Carregamento excessivo diminui a vida útil da bateria.**
3. **Carregue a bateria à temperatura ambiente de 10°C – 40°C. Deixe que uma bateria quente arrefeça antes de a carregar.**

DESCRIÇÃO FUNCIONAL

⚠️PRECAUÇÃO: Certifique-se sempre de que a ferramenta está desligada e a bateria foi retirada antes de regular ou verificar qualquer função na ferramenta.

Instalação ou remoção da bateria

⚠️PRECAUÇÃO: Desligue sempre a ferramenta antes de colocar ou retirar a bateria.

⚠️PRECAUÇÃO: Segure firmemente a ferramenta e a bateria quando instalar ou remover a bateria. Se não segurar firmemente a ferramenta e a bateria pode fazer com que escorreguem das suas mãos resultando em danos na ferramenta e na bateria e ferimentos pessoais.

► Fig.1: 1. Indicador vermelho 2. Botão 3. Bateria

Para retirar a bateria, deslize-a para fora da ferramenta enquanto desliza o botão na frente da bateria.

Para instalar a bateria, alinhe a lingueta da bateria com a ranhura no compartimento e deslize-a no lugar. Empurre-a até o fim para que a mesma encaixe no lugar com um clique. Se puder ver a parte vermelha no lado superior do botão, significa que não está completamente bloqueada.

⚠️PRECAUÇÃO: Instale sempre a bateria até ao fim, até deixar de ver o indicador vermelho.

Caso contrário, a bateria poderá cair da ferramenta acidentalmente e provocar ferimentos em si mesmo ou em alguém próximo.

⚠️PRECAUÇÃO: Não instale a bateria à força. Se a bateria não deslizar facilmente é porque não foi colocada corretamente.

Sistema de proteção da bateria

A ferramenta está equipada com um sistema de proteção da bateria. Este sistema corta automaticamente a energia para o motor a fim de prolongar a vida útil da bateria.

A ferramenta para automaticamente durante o funcionamento se a mesma e/ou a bateria estiver numa das seguintes circunstâncias:

Sobrecarga:

A ferramenta é utilizada de tal forma que puxa uma corrente elevada demais.

Neste caso, desligue a ferramenta e pare a aplicação que fez com que a ferramenta ficasse sobrecarregada. Depois, ligue a ferramenta para reiniciar.

Se a ferramenta não reiniciar, a bateria está sobreaquecida. Nesta situação, deixe a bateria arrefecer antes de voltar a ligar a ferramenta.

Baixa tensão da bateria:

A carga restante da bateria está baixa demais e a ferramenta não funciona. Se ligar a ferramenta, o motor funciona novamente mas para logo a seguir. Nesse caso, retire a bateria e recarregue-a.

Indicação da capacidade restante da bateria

Apenas para baterias com indicador

► Fig.2: 1. Luzes indicadoras 2. Botão de verificação

Prima o botão de verificação na bateria para indicar a capacidade restante da bateria. As luzes indicadoras acendem durante alguns segundos.

Luzes indicadoras		Carga restante
Aceso	Desligada	
		75% a 100%
		50% a 75%
		25% a 50%
		0% a 25%

NOTA: Dependendo das condições de utilização e da temperatura ambiente, a indicação pode ser ligeiramente diferente da capacidade real.

Ação do interruptor

⚠️PRECAUÇÃO: Antes de instalar a bateria na ferramenta, verifique sempre se a ferramenta está desligada.

► Fig.3: 1. Interruptor deslizante

Para iniciar a ferramenta, deslize o interruptor deslizante para a posição "I (LIGADO)".

Para parar a ferramenta, deslize o interruptor deslizante para a posição "O (DESLIGADO)".

Ajustar o ritmo de curso orbital

► Fig.4: 1. Mostrador

O ritmo de curso orbital é ajustável. Para mudar o ritmo de curso orbital, rode o mostrador entre 1 e 5. Quanto mais elevado é o número, mais elevado é o ritmo de curso orbital. Programe o mostrador para o número adequado para a sua peça de trabalho.

NOTA: O mostrador não pode ser rodado diretamente de 1 até 5 ou de 5 até 1. Forçar o mostrador pode danificar a ferramenta. Quando mudar a direção do mostrador, rode-o sempre deslocando-o através de cada número intermédio.

Acender a lâmpada da frente

⚠️PRECAUÇÃO: Não olhe para a luz ou para a fonte de iluminação diretamente.

► Fig.5: 1. Luz frontal

Deslize o interruptor deslizante em direção à posição "I (LIGADO)" para acender a luz frontal. A luz continuará acesa enquanto o interruptor estiver na posição "I (LIGADO)".

A luz apaga-se automaticamente depois de carregar na parte de trás do interruptor deslizante, e, em seguida, deslizar o interruptor deslizante em direção à posição "O (DESLIGADO)".

Proteção contra sobrecarga

Quando a ferramenta está em sobrecarga e a temperatura da ferramenta ou da bateria atinge um determinado nível, a luz frontal pisca e a ferramenta para automaticamente. Remova a causa da sobrecarga e arrefeça a ferramenta e a bateria para a reiniciar.

MONTAGEM

⚠️ PRECAUÇÃO: Certifique-se sempre de que a ferramenta está desligada e a bateria retirada antes de executar qualquer trabalho na ferramenta.

Instalar ou remover a ferramenta de aplicação

Acessório opcional

⚠️ AVISO: Não instale a ferramenta de aplicação ao contrário. Ao instalar a ferramenta de aplicação ao contrário pode danificar a ferramenta e causar ferimentos pessoais graves.

NOTA: Instale a ferramenta de aplicação na direção correta de acordo com o seu trabalho. A ferramenta de aplicação pode ser instalada a cada ângulo de 30 graus.

Para instalar uma ferramenta de aplicação (acessório opcional) coloque a ferramenta de aplicação na flange da ferramenta de modo que as saliências da flange da ferramenta encaixem nos orifícios na ferramenta de aplicação. Depois, fixe a ferramenta de aplicação apertando o perno firmemente com a chave sextavada.

► **Fig. 6:** 1. Saliências da flange da ferramenta
2. Orifícios na ferramenta de aplicação
3. Perno de instalação da ferramenta de aplicação

► **Fig. 7:** 1. Perno de instalação da ferramenta de aplicação 2. Chave sextavada 3. Apertar

Para remover a ferramenta de aplicação, solte e retire o perno de instalação da ferramenta de aplicação com uma chave sextavada e, depois, retire a ferramenta de aplicação.

Quando utilizar a ferramenta como lixadeira, coloque um papel de lixa no patim de lixagem (encaixe com gancho e laçada).

Quando colocar, certifique-se de que a forma e os orifícios de extração de poeira correspondem uns com os outros.

► **Fig. 8:** 1. Patim de lixagem 2. Apertar 3. Papel de lixa

Para retirar o papel de lixa, levante a sua extremidade e descole-o.

Quando usar ferramentas de aplicação com um tipo diferente de secção de instalação, use um adaptador correto (acessório opcional).

► **Fig. 9:** 1. Perno de instalação da ferramenta de aplicação 2. Orifícios na ferramenta de aplicação 3. Adaptador (necessário para algumas ferramentas de aplicação) 4. Saliências da flange da ferramenta

Armazenamento da chave hexagonal

► **Fig. 10:** 1. Chave hexagonal

Quando não a estiver a utilizar, guarde a chave hexagonal como indicado na figura para não a perder.

OPERAÇÃO

⚠️ AVISO: Antes de iniciar a ferramenta e durante a operação, mantenha a sua mão e rosto afastados da ferramenta de aplicação.

⚠️ PRECAUÇÃO: Não aplique carga excessiva à ferramenta que pode causar um bloqueio do motor e parar a ferramenta.

⚠️ PRECAUÇÃO: Não opere a ferramenta empurrando a bateria contra a ferramenta.

Cortar, serrar e raspar

⚠️ PRECAUÇÃO: Não desloque a ferramenta fazendo força na direção (por exemplo, para qualquer um dos lados) da aplicação de ferramenta sem bordo cortante. Pode danificar a ferramenta.

► **Fig. 11**

Coloque a ferramenta de aplicação na peça de trabalho.

Em seguida, desloque a ferramenta para a frente para que o movimento da ferramenta de aplicação não abrande.

NOTA: Ao forçar ou usar pressão excessiva na ferramenta pode reduzir a eficácia.

NOTA: Antes da operação de corte, recomenda-se que programe previamente o ritmo de curso orbital 3 - 5.

Lixagem

⚠️ PRECAUÇÃO: Para lixar madeira, não reutilize um papel de lixa usado para lixagem de metal.

⚠️ PRECAUÇÃO: Não use um papel de lixa gasto ou papel de lixa sem grão.

Aplique um papel de lixa na peça de trabalho.

► **Fig. 12**

NOTA: Recomenda-se o uso de uma amostra de material para determinar um ritmo de curso orbital correto para o seu trabalho.

NOTA: Use um papel de lixa com o mesmo grão até a lixagem de toda a peça de trabalho estar concluída. Substituir um papel de lixa por outro com um grão diferente pode não dar um bom acabamento.

Acessório de extração de poeira

Acessório opcional

⚠️ PRECAUÇÃO: Não use o acessório de extração de poeira se estiver a lixar metal. Sugar faíscas e partículas quentes resulta em fumo e ignição.

- **Fig.13:** 1. Junta 2. Cinta do bocal 3. Bocal para poeira 4. Acessório para poeira 5. Espaçador 6. Anel de feltro (Ø 47 mm) 7. Patim (com marcação STARLOCK) 8. Perno de instalação da ferramenta de aplicação 9. Anel de feltro (Ø 37 mm) 10. Patim (com marcação OIS)

1. Instale a junta, o bocal para poeira e o acessório para poeira.
2. Instale a cinta do bocal na ferramenta para que as suas saliências encaixem nos orifícios para fixação na ferramenta.
3. Coloque o anel de feltro e o patim de lixagem no acessório para poeira e, depois, fixe-os com o perno de instalação da ferramenta de aplicação.

Para realizar uma operação mais limpa, ligue um aspirador à ferramenta. Ligue uma mangueira do aspirador ao acessório de extração de poeira (acessório opcional).

► **Fig.14**

- Raspador (flexível)
- Lâmina segmentada serrilhada
- Máquina de serragem de juntas
- Decapante HM
- Lâmina de serra segmentada HM
- Placa de lixagem HM
- Lâmina de serra segmentada diamante
- Patim de lixagem
- Adaptador
- Lixa abrasiva delta (vermelha / branca / preta)
- Velo delta (médio / grosseiro / sem grão)
- Feltro de polimento delta
- Chave sextavada
- Acessório de extração de poeira
- Bateria e carregador genuínos da Makita

NOTA: Alguns itens da lista podem estar incluídos na embalagem da ferramenta como acessórios padrão. Eles podem variar de país para país.

MANUTENÇÃO

⚠️ PRECAUÇÃO: Certifique-se sempre de que a ferramenta se encontra desligada e de que a bateria foi retirada antes de executar qualquer inspeção ou manutenção.

OBSERVAÇÃO: Nunca utilize gasolina, benzina, diluente, álcool ou produtos semelhantes. Pode ocorrer a descoloração, deformação ou rachaduras.

Para manter a SEGURANÇA e a FIABILIDADE do produto, as reparações e qualquer outra manutenção ou ajuste devem ser levados a cabo pelos centros de assistência Makita autorizados ou pelos centros de assistência de fábrica, utilizando sempre peças de substituição Makita.

ACESSÓRIOS OPCIONAIS

⚠️ PRECAUÇÃO: Estes acessórios ou peças são recomendados para utilização com a ferramenta Makita especificada neste manual. A utilização de outros acessórios ou peças pode ser perigosa para as pessoas. Utilize apenas acessórios ou peças para os fins indicados.

Se necessitar de informações adicionais relativas a estes acessórios, solicite-as ao seu centro de assistência Makita.

- Lâmina de serra segmentada
- Lâmina de serra circular
- Lâmina de serra de corte penetrante
- Raspador (rígido)

SPECIFIKATIONER

Model:	TM30D
Svingninger pr. minut	6.000 - 20.000 min ⁻¹
Svingningsvinkel, venstre/højre	1,6° (3,2° total)
Mærkespænding	D.C. 10,8 V - 12 V maks.
Længde	277 mm - 296 mm
Nettovægt	1,1 - 1,3 kg

- På grund af vores kontinuerlige forsknings- og udviklingsprogrammer kan hosstående specifikationer blive ændret uden varsel.
- Specifikationer kan variere fra land til land.
- Vægten kan være anderledes afhængigt af tilbehøret, inklusive akkuen. Den letteste og tungeste kombination i henhold til EPTA-procedure 01/2014 er vist i tabellen.

Anvendelig akku og oplader

Akku	BL1015 / BL1016 / BL1020B / BL1021B / BL1040B / BL1041B
Oplader	DC10SA / DC10SB / DC10WC / DC10WD / DC18RE

- Nogle af de akkuer og opladere, der er angivet ovenfor, er muligvis ikke tilgængelige, afhængigt af hvilket område du bor i.

⚠ ADVARSEL: Brug kun de akkuer og opladere, der er angivet ovenfor. Brug af andre akkuer og opladere kan medføre personskaade og/eller brand.

Tilsigtet anvendelse

Maskinen er beregnet til savning og skæring af træ, plastic, gips, ikke-jernholdige metaller og fastgørings-elementer (f.eks. uhærdede søm og hæfteklammer). Den er også beregnet til arbejde på bløde vægfliser samt pudstning og afskrabning af mindre flader. Den er specielt beregnet til at arbejde tæt på kanter og til lige skæring.

Lyd

Det typiske A-vægtede støjniveau bestemt i overensstemmelse med EN62841:

Arbejdstilstand: Pudsning
 Lydtryksniveau (L_{pA}): 75 dB (A)
 Usikkerhed (K): 3 dB (A)

Støjniveauet under arbejdet kan overskride 80 dB (A).
 Arbejdstilstand: Skæring med indstikssavklinge
 Lydtryksniveau (L_{pA}): 82 dB (A)
 Lydeffektniveau (L_{WA}): 93 dB (A)
 Usikkerhed (K): 3 dB (A)

Arbejdstilstand: Skæring med segment-savklinge
 Lydtryksniveau (L_{pA}): 81 dB (A)
 Lydeffektniveau (L_{WA}): 92 dB (A)
 Usikkerhed (K): 3 dB (A)
 Arbejdstilstand: Afskrabning
 Lydtryksniveau (L_{pA}): 81 dB (A)
 Lydeffektniveau (L_{WA}): 92 dB (A)
 Usikkerhed (K): 3 dB (A)

BEMÆRK: De(n) angivne støjemissionsværdi(er) er målt i overensstemmelse med en standardtestmetode og kan anvendes til at sammenligne en maskine med en anden.

BEMÆRK: De(n) angivne støjemissionsværdi(er) kan også anvendes i en præliminær eksponeringsvurdering.

⚠ ADVARSEL: Bær høreværn.

⚠ ADVARSEL: Støjemissionen under den faktiske anvendelse af maskinen kan være forskellig fra de(n) angivne værdi(er), afhængigt af den måde hvorpå maskinen anvendes, især den type arbejdsemne der behandles.

⚠ ADVARSEL: Sørg for at identificere de sikkerhedsforskrifter til beskyttelse af operatøren, som er baseret på en vurdering af eksponering under de faktiske brugsforhold (med hensyntagen til alle dele i brugscyklussen, f.eks. de gange, hvor maskinen er slukket, og når den kører i tomgang i tilgift til afbrydertiden).

Vibration

Vibrationens totalværdi (tre-aksial vektorsum) bestemt i overensstemmelse med EN62841:

Arbejdstilstand: Pudsning
 Vibrationsemission (a_{h1}): 2,5 m/s² eller mindre
 Usikkerhed (K): 1,5 m/s²

Arbejdstilstand: Skæring med indstikssavklinge
 Vibrationsemission (a_{h1}): 10,5 m/s²
 Usikkerhed (K): 1,5 m/s²

Arbejdstilstand: Skæring med segment-savklinge

Vibrationsemission (a_h): 5,5 m/s²

Usikkerhed (K): 1,5 m/s²

Arbejdstilstand: Afskrabning

Vibrationsemission (a_h): 9,0 m/s²

Usikkerhed (K): 1,5 m/s²

BEMÆRK: De(n) angivne totalværdi(er) for vibration er målt i overensstemmelse med en standardtestmetode og kan anvendes til at sammenligne en maskine med en anden.

BEMÆRK: De(n) angivne totalværdi(er) for vibration kan også anvendes i en præliminær eksponeringsvurdering.

⚠ ADVARSEL: Vibrationsemissionen under den faktiske anvendelse af maskinen kan være forskellig fra de(n) angivne værdi(er), afhængigt af den måde hvorpå maskinen anvendes, især den type arbejdsemne der behandles.

⚠ ADVARSEL: Sørg for at identificere de sikkerhedsforskrifter til beskyttelse af operatøren, som er baseret på en vurdering af eksponering under de faktiske brugsforhold (med hensyntagen til alle dele i brugscyklussen, f.eks. de gange, hvor maskinen er slukket, og når den kører i tomgang i tilgift til afbrydertiden).

EU-overensstemmelseserklæring

Kun for lande i Europa

EU-overensstemmelseserklæringen er inkluderet som Bilag A i denne brugsanvisning.

SIKKERHEDSADVARSLER

Almindelige sikkerhedsregler for el-værktøj

⚠ ADVARSEL: Læs alle de sikkerhedsadvarsler, instruktioner, illustrationer og specifikationer, der følger med denne maskine. Forsømmelse af at overholde alle nedenstående instruktioner kan medføre elektrisk stød, brand og/eller alvorlig personskade.

Gem alle advarsler og instruktioner til fremtidig reference.

Ordet "el-værktøj" i advarslerne henviser til det netforbundne (netledning) el-værktøj eller batteriforsynede (akku) el-værktøj.

Sikkerhedsforskrifter for akku-multimaskine

1. Denne maskine er beregnet til at foretage savning, skæring, slibning og pudsning. Læs alle de sikkerhedsforskrifter, instruktioner, illustrationer og specifikationer, som følger med denne maskine. Forsømmelse af at overholde alle de herunder angivne instruktioner kan medføre elektrisk stød, brand og/eller alvorlig personskade.

2. Hold maskinen i de isolerede gribeplader, når der udføres et arbejde, hvor skæretilbehøret kan komme i kontakt med skjulte ledninger. Skæretilbehør, som kommer i kontakt med en strømførende ledning, kan gøre maskinens ikke-isolerede metaldele strømførende, hvorved operatøren kan få elektrisk stød.
3. Anvend skruetvinger eller en anden praktisk måde til at fastgøre og understøtte arbejdsemnet på en stabil platform. Hvis arbejdsemnet holdes i hånden eller mod kroppen, bliver det ustabil, og du kan miste kontrollen med det.
4. Anvend altid sikkerhedsbriller eller beskyttelsesbriller. Almindelige briller og solbriller er IKKE sikkerhedsbriller.
5. Undgå at skære i søm. Inspicér arbejdsemnet for søm, og fjern dem, inden arbejdet påbegyndes.
6. Hold godt fast i maskinen.
7. Sørg for, at anvendelsesværktøjet ikke er i kontakt med arbejdsemnet, før der tændes på afbryderen.
8. Hold hænderne væk fra bevægelige dele.
9. Lad ikke maskinen køre i tomgang. Anvend kun maskinen, når den holdes i hænderne.
10. Sluk altid for maskinen, og vent, til klingens er helt standset, før klingens fjernes fra arbejdsemnet.
11. Rør ikke ved anvendelsesværktøjet eller arbejdsemnet umiddelbart efter brugen. De kan være meget varme, og du kan brænde dig.
12. Anvend ikke maskinen unødvendigt i ubelastet tilstand.
13. Anvend altid den korrekte støvmaske/respirator til det materiale og formål, du arbejder med.
14. Nogle materialer indeholder kemikalier, som kan være giftige. Sørg for at undgå inhalering af støv og hudkontakt. Følg materialeleverandørens sikkerhedsdata.
15. Denne maskine er ikke vandtæt, så brug ikke vand på arbejdsemnets overflade.
16. Ventilér arbejdsområdet tilstrækkeligt, når du udfører pudsning.
17. Brug af denne maskine til at pudse visse produkter, maling og træ kan udsætte brugeren for støv, der indeholder farlige stoffer. Anvend passende åndedrætsbeskyttelse.
18. Kontroller, at der ikke er revner eller brud på pudsen før brugen. Revner eller brud kan medføre personskade.
19. Anvend ikke tilbehør, som ikke er specielt designet og anbefalet af maskinproducenten. Selvom en tilbehørsdel kan monteres på din maskine, garanterer det ikke sikker anvendelse.
20. Bær personligt beskyttelsesudstyr. Afhængigt af anvendelsen skal du bære ansigtsskjold, beskyttelsesbriller eller sikkerhedsbriller. Brug efter behov høreværn, handsker og arbejdsforklæde, som er i stand til at stoppe mindre skarpe dele eller fragmenter fra arbejdsemnet. Øjenbeskyttelsen skal kunne stoppe flyvende dele, der fremkommer fra forskellige operationer. Støvmasken eller respiratoren skal kunne filtrere partikler, som frembringes under arbejdet. Længere tids udsættelse for højintensiv støj kan medføre tab af hørelsen.

21. **Hold omkringstående personer på sikker afstand af arbejdsområdet. Alle, der kommer ind i arbejdsområdet, skal bære personligt beskyttelsesudstyr.** Fragmenter af arbejdsemnet eller fra brækket tilbehør kan blive slynget ud og forårsage personskade uden for selve arbejdsområdet.
22. **Læg aldrig maskinen fra dig, før tilbehøret er standset helt.** Det roterende tilbehør kan gribe fat i overfladen og trække maskinen ud af din kontrol.
23. **Lad ikke maskinen køre, mens du bærer den ved siden.** Utilsigtet kontakt med tilbehøret kan klemme det fast i tøj, hvorved tilbehøret kan blive trukket ind mod kroppen.
24. **Brug ikke maskinen i nærheden af brændbare materialer.** Gnister kan antænde disse materialer.
25. **Brug ikke tilbehør, der kræver flydende kølemidler.** Brug af vand eller andre flydende kølemidler kan medføre dødbringende elektrisk stød eller stød.
26. **Vær altid sikker på, at maskinen er slukket og taget ud af forbindelse, eller at akkuen er fjernet, inden der udføres noget arbejde på maskinen.**
27. **Sørg altid for, at du har et godt fodfæste. Vær sikker på, at der ikke befinder sig nogen under dig, når maskinen anvendes på højtliggende steder.**
6. **Opbevar ikke værktøjet og akkuen på et sted, hvor temperaturen kan nå eller overstige 50 °C.**
7. **Lad være med at brænde akkuen, selv ikke i tilfælde, hvor den har lidt alvorlig skade eller er fuldstændig udtjent. Akkuen kan eksplodere, hvis man forsøger at brænde den.**
8. **Lad være med at brænde akkuen eller udsætte den for stød.**
9. **Anvend ikke en beskadiget akku.**
10. **De indbyggede litium-ion-batterier er underlagt lovkrav vedrørende farligt gods.** Ved kommerciel transport, f.eks. af tredjeparts transportselskaber, skal særlige krav til forpakning og mærkning overholdes. Ved forberedelse af udstyret til forsendelse skal du kontakte en ekspert i farligt gods. Overhold også eventuel mere detaljeret national lovgivning. Tape eller tildæk åbne kontakter, og pak batteriet på en måde, så det ikke kan flytte sig rundt i pakningen.
11. **Følg de lokale love vedrørende bortskaffelsen af batterier.**
12. **Brug kun batterierne med de produkter, som Makita specificerer.** Hvis batterierne installeres i ikke-kompatible produkter, kan det medføre brand, kraftig varme, eksplosion eller udsivning af elektrolyt.

GEM DISSE FORSKRIFTER.

⚠ ADVARSEL: LAD IKKE bekvemmelighed eller kendskab til produktet (opnået gennem gentagen brug) forhindre, at sikkerhedsforskrifterne for produktet nøje overholdes. MISBRUG eller forsummelse af at følge de i denne brugsvejledning givne sikkerhedsforskrifter kan medføre alvorlig personskade.

Vigtige sikkerhedsinstruktioner for akkuen

1. **Læs alle instruktioner og advarselmærkater på (1) akku-opladeren, (2) akkuen og (3) produktet, som anvender akku.**
2. **Lad være med at skille akkuen ad.**
3. **Hold straks op med anvendelsen, hvis brugstiden er blevet stærkt afkortet. Fortsat anvendelse kan resultere i risiko for overophedning, forbrændinger og endog eksplosion.**
4. **Hvis De har fået elektrolytvæske i øjnene, skal De straks skylle den ud med rent vand og derefter øjeblikkeligt søge lægehjælp. I modsat fald kan De miste synet.**
5. **Vær påpasselig med ikke at komme til at kortslutte akkuen:**
 - (1) **Rør ikke ved terminalerne med noget ledende materiale.**
 - (2) **Undgå at opbevare akkuen i en beholder sammen med andre genstande af metal, for eksempel søm, mønter og lignende.**
 - (3) **Udsæt ikke akkuen for vand eller regn. Kortslutning af akkuen kan forårsage en kraftig øgning af strømmen, overophedning, mulige forbrændinger og endog værktøjstop.**

GEM DENNE BRUGSANVISNING.

⚠ FORSIGTIG: Brug kun originale batterier fra Makita. Brug af uoriginale Makita-batterier, eller batterier som er blevet ændret, kan muligvis medføre brud på batteriet, hvilket kan forårsage brand, personskade eller beskadigelse. Det ugyldiggør også Makita-garantien for Makita-maskinen og opladeren.

Tips til opnåelse af maksimal akku-levetid

1. **Oplad akkuen, inden den er helt afladet. Stop altid værktøjet, og oplad akkuen, hvis De bemærker, at værktøjeffekten er aftagende.**
2. **Genoplad aldrig en fuldt opladet akku. Overopladning vil afkorte akkuens levetid.**
3. **Oplad akkuen ved stuetemperatur ved 10 °C - 40 °C. Lad altid en varm akku få tid til at køle af, inden den oplades.**

FUNKTIONSBESKRIVELSE

⚠️FORSIGTIG: Sørg altid for at maskinen er slukket, og at akkuen er taget ud, før der udføres justering eller kontrol af funktioner på maskinen.

Isætning eller fjernelse af akkuen

⚠️FORSIGTIG: Sluk altid for værktøjet, før De monterer eller fjerner akkuen.

⚠️FORSIGTIG: Hold værktøjet og akkuen fast ved montering eller fjernelse af akkuen. Hvis De ikke holder værktøjet og akkuen fast, kan de glide ud af hænderne på Dem og forårsage beskadigelse af værktøjet og akkuen eller personskade.

► **Fig.1:** 1. Rød indikator 2. Knap 3. Akku

Akkuen fjernes ved, at De trækker den ud af værktøjet, idet De skyder knappen på forsiden af akkuen i stilling.

Akkuen monteres ved, at De sætter tungen på akkuen ud for noten i kabinettet og lader den glide på plads. Sæt den hele vejen ind, så den låses på plads med et lille klik. Hvis den røde indikator på oversiden af knappen er synlig, betyder det, at den ikke er tilstrækkeligt låst.

⚠️FORSIGTIG: Monter altid akkuen helt, indtil den røde indikator ikke længere er synlig. Hvis dette ikke gøres, kan den falde ud af værktøjet ved et uheld, hvorved De selv eller personer i nærheden kan komme til skade.

⚠️FORSIGTIG: Brug ikke magt ved montering af akkuen. Hvis akkuen ikke glider på plads uden problemer, betyder det, at den ikke sættes i på korrekt vis.

Batteribeskyttelsessystem

Maskinen er udstyret med et batteribeskyttelsessystem. Dette system afbryder automatisk strømmen til motoren for at forlænge akkulevetiden.

Maskinen stopper automatisk under anvendelsen, hvis maskinen og/eller akkuen udsættes for en af de følgende situationer:

Overbelastet:

Maskinen anvendes på en sådan måde, at den bruger unormalt meget strøm.

Sluk i så fald for maskinen, og stop den anvendelse, der medførte, at maskinen blev overbelastet. Tænd derefter for maskinen for at starte igen.

Hvis maskinen ikke starter, er akkuen overophedet. Lad i så fald akkuen køle af, før du tænder for maskinen igen.

Lav spænding på akkuen:

Den resterende batteriladning er for lav, og maskinen vil ikke fungere. Hvis De tænder for maskinen, kører motoren igen, men stopper hurtigt. I denne situation skal De fjerne og oplade akkuen.

Indikation af den resterende batteriladning

Kun til akkuer med indikatoren

► **Fig.2:** 1. Indikatorlamper 2. Kontrolknap

Tryk på kontrolknappen på akkuen for at få vist den resterende batteriladning. Indikatorlampen lyser i nogle sekunder.

Indikatorlamper		Resterende kapacitet
Tændt	Slukket	
■ ■ ■ ■		75% til 100%
■ ■ ■ □		50% til 75%
■ ■ □ □		25% til 50%
■ □ □ □		0% til 25%

BEMÆRK: Afhængigt af brugsforholdene og den omgivende temperatur kan indikationen afvige en smule fra den faktiske ladning.

Afbryderbetjening

⚠️FORSIGTIG: Inden akkuen sættes ind i maskinen, skal det altid kontrolleres, at der er slukket for maskinen.

► **Fig.3:** 1. Glidekontakt

For at starte maskinen skal du skubbe glidekontakten mod stillingen "I (TIL)".

For at stoppe maskinen skal du skubbe glidekontakten mod stillingen "O (FRA)".

Indstilling af omløbsslagintensiteten

► **Fig.4:** 1. Drejeknap

Omløbsslagintensiteten kan justeres. Hvis du vil ændre omløbsslagintensiteten, skal du dreje drejeknappen mellem 1 og 5. Jo højere tallet er, desto højere er omløbsslagintensiteten. Forindstil drejeknappen på det tal, der er egnet til arbejdsområdet.

BEMÆRK: Drejeknappen kan ikke drejes direkte fra 1 til 5 eller fra 5 til 1. Brug af magt på drejeknappen kan beskadige maskinen. Når drejeknappens indstilling ændres, skal du altid dreje drejeknappen via hvert mellemliggende tal.

Tænding af lampen foran

⚠️FORSIGTIG: Kig aldrig direkte på lyskilden. Lad ikke lyset falde i Deres øjne.

► **Fig.5:** 1. Frontlampe

Skub glidekontakten mod stillingen "I (TIL)" for at tænde frontlampen. Lampen forbliver tændt, så længe kontakten er i stillingen "I (TIL)".

Lyset slukkes automatisk, efter der trykkes bag på glidekontakten, og glidekontakten derefter skubbes mod stillingen "O (FRA)".

Overbelastningsbeskyttelse

Hvis maskinen er overbelastet, og maskinens eller akkuens temperatur når et vist niveau, blinker frontlampen, og maskinen stopper automatisk. Eliminer årsagen til overbelastning, og lad maskinen og akkuen køle ned for at genstarte den.

SAMLING

⚠️ FORSIGTIG: Sørg altid for at maskinen er slukket, og at akkuen er taget ud, før der udføres noget arbejde på maskinen.

Montering eller afmontering af anvendelsesværktøj

Ekstraudstyr

⚠️ ADVARSEL: Monter ikke anvendelsesværktøjet omvendt. Hvis anvendelsesværktøjet monteres omvendt, kan det beskadige maskinen og medføre alvorlig personskade.

BEMÆRK: Monter anvendelsesværktøjet i den rigtige retning i overensstemmelse med arbejdet. Anvendelsesværktøjet kan monteres i en vinkel for hver 30 grader.

Hvis du vil montere et anvendelsesværktøj (ekstraudstyr), skal du sætte anvendelsesværktøjet på maskinens flange, så fremspringene på maskinens flange passer ind i hullerne på anvendelsesværktøjet. Fastgør derefter anvendelsesværktøjet ved at stramme bolten godt til med unbrakonøglen.

► **Fig. 6:** 1. Fremspring på maskinens flange 2. Huller i anvendelsesværktøj 3. Monteringsbolt på anvendelsesværktøj

► **Fig. 7:** 1. Monteringsbolt på anvendelsesværktøj 2. Unbrakonøgle 3. Stram

Hvis du vil fjerne anvendelsesværktøjet, skal du løsne og fjerne monteringsboltene på anvendelsesværktøjet ved hjælp af en unbrakonøgle og derefter afmontere anvendelsesværktøjet.

Når maskinen benyttes som sandsliber, skal der sættes et stykke sandpapir på slibepuden (montering med krog og løkke).

Kontroller, at deres form og støvudtrækningshuller svarer til hinanden ved monteringen.

► **Fig. 8:** 1. Slibepude 2. Stram 3. Sandpapir

For at fjerne sandpapiret skal du løfte dets ender og trække det af.

Når der anvendes anvendelsesværktøj med en anden type monteringsdel, skal der benyttes en korrekt adapter (ekstraudstyr).

► **Fig. 9:** 1. Monteringsbolt på anvendelsesværktøj 2. Huller i anvendelsesværktøj 3. Adapter (kræves til visse anvendelsesværktøjer) 4. Fremspring på maskinens flange

Opbevaring af unbrakonøgle

► **Fig. 10:** 1. Unbrakonøgle

Når unbrakonøglen ikke anvendes, skal den opbevares som vist på illustrationen, så den ikke bortkommer.

ANVENDELSE

⚠️ ADVARSEL: Inden maskinen startes og under brugen, skal du holde hænder og ansigt væk fra anvendelsesværktøjet.

⚠️ FORSIGTIG: Anvend ikke kraftigt tryk på maskinen, da det kan bevirke, at motoren låses, og maskinen stopper.

⚠️ FORSIGTIG: Betjen ikke maskinen, mens akkuen trykkes mod maskinen.

Skæring, savning og afskrabning

⚠️ FORSIGTIG: Bevæg ikke maskinen med magt i retning mod (f.eks. mod en af siderne) anvendelsesværktøj uden nogen skærekant. Dette kan beskadige maskinen.

► **Fig. 11**

Sæt anvendelsesværktøjet mod arbejdsemnet. Og bevæg derefter maskinen fremad, så anvendelsesværktøjets bevægelse ikke bliver langsommere.

BEMÆRK: Tvang eller overdrevent tryk på maskinen kan reducere effektiviteten.

BEMÆRK: Det anbefales, inden der skæres, at forindstille omløbslagintensiteten 3 - 5.

Pudsning

⚠️ FORSIGTIG: Genbrug ikke sandpapir, der har været anvendt til pudsning af metal, til at pudse træ.

⚠️ FORSIGTIG: Brug ikke slidt sandpapir eller sandpapir uden slibekorn.

Sæt et stykke sandpapir mod arbejdsemnet.

► **Fig. 12**

BEMÆRK: Det anbefales at anvende en testmaterialeprøve til at bestemme en korrekt omløbslagintensitet, der er egnet til dit arbejde.

BEMÆRK: Brug sandpapir med samme slibekorn, indtil pudsning af hele arbejdsemnet er fuldført. Hvis et stykke sandpapir erstattes af et stykke sandpapir med en anden type slibekorn, kan der muligvis ikke opnås en fin finish.

Støvudtrækningstilbehør

Ekstraudstyr

⚠️ FORSIGTIG: Brug ikke støvudtrækningstilbehøret, når du pudser metal. Indsugning af gnister og varme partikler medfører røg og brand.

- **Fig.13:** 1. Samlestykke 2. Mundstykkebånd 3. Støvmundstykke 4. Støvtilbehør 5. Afstandsstykke 6. Filtring (ø 47 mm) 7. Pude (med STARLOCK-mærke) 8. Monteringsbolt på anvendelsesværktøj 9. Filtring (ø 37 mm) 10. Pude (med OIS-mærke)

1. Monter samlestykket, støvmundstykket og støvtilbehøret.
2. Monter mundstykkebåndet på maskinen, så dets frem-spring passer ind i hullerne i maskinen, for at fastgøre det.
3. Anbring filtringen og slibepuden på støvtilbehøret, og fastgør dem derefter med monteringsbolten på anvendelsesværktøjet.

For at opnå en renere drift skal du koble en støvsuger til maskinen. Slut støvsugerslangen til støvudtrækningstilbehøret (ekstraudstyr).

► Fig.14

- Skraber (fleksibel)
- Takket segmentklinge
- Almindelig sammenføjningsskærer
- HM-fjerner
- HM-segment-savklinge
- HM-slibeplade
- Diamantsegment-savklinge
- Slibepude
- Adapter
- Slibepapirdelta (rød / hvid / sort)
- Fleece-delta (medium / grov / uden slibekorn)
- Polerfiltdelta
- Unbrakonøgle
- Støvudtrækningstilbehør
- Original Makita-akku og oplader

BEMÆRK: Nogle ting på denne liste kan være inkluderet i værktøjspakken som standardtilbehør. Det kan være forskellige fra land til land.

VEDLIGEHOLDELSE

⚠️ FORSIGTIG: Vær altid sikker på, at værktøjet er slukket, og at akkuen er taget ud, inden De begynder at udføre inspektion eller vedligeholdelse.

BEMÆRKNING: Anvend aldrig benzin, rensbenzin, fortynder, alkohol og lignende. Det kan medføre misfarvning, deformation eller revner.

For at opretholde produktets SIKKERHED og PÅLIDELIGHED må reparation, vedligeholdelse eller justering kun udføres af et autoriseret Makita servicecenter eller fabrikksservicecenter med anvendelse af Makita reservedele.

EKSTRAUDSTYR

⚠️ FORSIGTIG: Det følgende tilbehør og ekstraudstyr er anbefalet til brug med Deres Makita maskine, der er beskrevet i denne brugsanvisning. Anvendelse af andet tilbehør eller ekstraudstyr kan udgøre en risiko for personskade. Anvend kun tilbehør og ekstraudstyr til det beskrevne formål.

Hvis De behøver hjælp ved valg af tilbehør eller ønsker yderligere informationer, bedes De kontakte Deres lokale Makita servicecenter.

- Segment-savklinge
- Rundsavklinge
- Indstikssavklinge
- Skraber (stiv)

ΠΡΟΔΙΑΓΡΑΦΕΣ

Μοντέλο:	TM30D
Ταλάντωση ανά λεπτό	6.000 - 20.000 min ⁻¹
Γωνία ταλάντωσης, αριστερά/δεξιά	1,6° (3,2° συνολικά)
Ονομαστική τάση	D.C. 10,8 V - 12 V μέγ.
Ολικό μήκος	277 mm - 296 mm
Καθαρό βάρος	1,1 - 1,3 kg

- Λόγω του συνεχιζόμενου προγράμματος έρευνας και ανάπτυξης, οι προδιαγραφές αυτές υπόκεινται σε αλλαγές χωρίς προειδοποίηση.
- Τα τεχνικά χαρακτηριστικά μπορεί να διαφέρουν από χώρα σε χώρα.
- Το βάρος μπορεί να διαφέρει ανάλογα με τα προσαρτήματα, συμπεριλαμβάνοντας την κασέτα μπαταριών. Ο ελαφρύτερος και ο βαρύτερος συνδυασμός, σύμφωνα με τη διαδικασία ΕΡΤΑ 01/2014, παρουσιάζονται στον πίνακα.

Ισχύουσα κασέτα μπαταριών και φορτιστής

Κασέτα μπαταρίας	BL1015 / BL1016 / BL1020B / BL1021B / BL1040B / BL1041B
Φορτιστής	DC10SA / DC10SB / DC10WC / DC10WD / DC18RE

- Ορισμένες από τις κασέτες και τους φορτιστές μπαταριών που αναγράφονται παραπάνω ίσως να μην είναι διαθέσιμοι, ανάλογα με την τοποθεσία κατοικίας σας.

⚠️ ΠΡΟΕΙΔΟΠΟΙΗΣΗ: Να χρησιμοποιείτε μόνο τις κασέτες μπαταριών και τους φορτιστές που παρατίθενται ανωτέρω. Η χρήση οποιασδήποτε άλλης κασέτας μπαταριών ή φορτιστή μπορεί να προκαλέσει τραυματισμό ή/και πυρκαγιά.

Προοριζόμενη χρήση

Το εργαλείο προορίζεται για το πριόνισμα και την κοπή ξύλου, πλαστικού, γύψου, μη σιδηρούχων μετάλλων και συνδέσμων (π.χ. μη σκληρυμένα καρφιά και συρραπτικά). Επίσης προορίζεται για την επεξεργασία μαλακών πλακακιών τοίχου, καθώς και την ξηρή λείανση και ζύσιμο μικρών επιφανειών. Προορίζεται ειδικά για την εργασία κοντά σε κοπές άκρων και ευθυγραμμισμένες κοπές.

Θόρυβος

Το τυπικό Α επίπεδο καταμετρημένου θορύβου καθορίζεται σύμφωνα με το EN62841:

Είδος εργασίας: Λείανση
Στάθμη ηχητικής πίεσης (L_{pA}): 75 dB (A)
Αβεβαιότητα (K): 3 dB (A)

Η ένταση θορύβου υπό συνθήκες εργασίας μπορεί να υπερβεί τα 80 dB (A).

Είδος εργασίας: Κοπή με λάμα πριονιού βαθιάς κοπής
Στάθμη ηχητικής πίεσης (L_{pA}): 82 dB (A)
Στάθμη ηχητικής ισχύος (L_{WA}): 93 dB (A)
Αβεβαιότητα (K): 3 dB (A)

Είδος εργασίας: Κοπή με τμηματική λάμα πριονιού
Στάθμη ηχητικής πίεσης (L_{pA}): 81 dB (A)
Στάθμη ηχητικής ισχύος (L_{WA}): 92 dB (A)
Αβεβαιότητα (K): 3 dB (A)

Είδος εργασίας: Ξύσιμο
Στάθμη ηχητικής πίεσης (L_{pA}): 81 dB (A)
Στάθμη ηχητικής ισχύος (L_{WA}): 92 dB (A)
Αβεβαιότητα (K): 3 dB (A)

ΠΑΡΑΤΗΡΗΣΗ: Η δηλωμένη τιμή(ές) εκπομπής θορύβου έχει μετρηθεί σύμφωνα με την πρότυπη μέθοδο δοκιμής και μπορεί να χρησιμοποιηθεί για τη σύγκριση ενός εργαλείου με κάποιο άλλο.

ΠΑΡΑΤΗΡΗΣΗ: Η δηλωμένη τιμή(ές) εκπομπής θορύβου μπορεί να χρησιμοποιηθεί και στην προκαταρκτική αξιολόγηση της έκθεσης.

⚠️ ΠΡΟΕΙΔΟΠΟΙΗΣΗ: Να φοράτε ωτοασπίδες.

⚠️ ΠΡΟΕΙΔΟΠΟΙΗΣΗ: Η εκπομπή θορύβου κατά τη χρήση του ηλεκτρικού εργαλείου σε πραγματικές συνθήκες μπορεί να διαφέρει από τη δηλωμένη τιμή(ές) ανάλογα με τους τρόπους χρήσης του εργαλείου, ιδιαίτερα το είδος του τεμαχίου εργασίας που υπόκειται επεξεργασία.

⚠️ ΠΡΟΕΙΔΟΠΟΙΗΣΗ: Φροντίστε να λάβετε τα κατάλληλα μέτρα προστασίας του χειριστή βάσει ενός υπολογισμού της έκθεσης σε πραγματικές συνθήκες χρήσης (λαμβάνοντας υπόψη όλες τις συνιστώσες του κύκλου λειτουργίας όπως τους χρόνους που το εργαλείο είναι εκτός λειτουργίας και όταν βρίσκεται σε αδρανή λειτουργία πέραν του χρόνου ενεργοποίησης).

Κραδασμός

Η ολική τιμή δόνησης (άθροισμα τρι-αξονικού διανύσματος) καθορίζεται σύμφωνα με το EN62841:

Είδος εργασίας: Λείανση
Εκπομπή δόνησης (a_{h1}): 2,5 m/s² ή λιγότερο
Αβεβαιότητα (K): 1,5 m/s²

Είδος εργασίας: Κοπή με λάμα πριονιού βαθιάς κοπής

Εκπομπή δόνησης (a_n): 10,5 m/s²

Αβεβαιότητα (K): 1,5 m/s²

Είδος εργασίας: Κοπή με τμηματική λάμα πριονιού

Εκπομπή δόνησης (a_n): 5,5 m/s²

Αβεβαιότητα (K): 1,5 m/s²

Είδος εργασίας: Ξύσιμο

Εκπομπή δόνησης (a_n): 9,0 m/s²

Αβεβαιότητα (K): 1,5 m/s²

ΠΑΡΑΤΗΡΗΣΗ: Η δηλωμένη τιμή(ές) συνολικών κραδασμών έχει μετρηθεί σύμφωνα με την πρότυπη μέθοδο δοκιμής και μπορεί να χρησιμοποιηθεί για τη σύγκριση ενός εργαλείου με κάποιο άλλο.

ΠΑΡΑΤΗΡΗΣΗ: Η δηλωμένη τιμή(ές) συνολικών κραδασμών μπορεί να χρησιμοποιηθεί και στην προκαταρκτική αξιολόγηση της έκθεσης.

▲ ΠΡΟΕΙΔΟΠΟΙΗΣΗ: Η εκπομπή κραδασμών κατά τη χρήση του ηλεκτρικού εργαλείου σε πραγματικές συνθήκες μπορεί να διαφέρει από τη δηλωμένη τιμή(ές) εκπομπής ανάλογα με τους τρόπους χρήσης του εργαλείου, ιδιαίτερα το είδος του τεμαχίου εργασίας που υπόκειται επεξεργασία.

▲ ΠΡΟΕΙΔΟΠΟΙΗΣΗ: Φροντίστε να λάβετε τα κατάλληλα μέτρα προστασίας του χειριστή βάσει ενός υπολογισμού της έκθεσης σε πραγματικές συνθήκες χρήσης (λαμβάνοντας υπόψη όλες τις συνιστώσες του κύκλου λειτουργίας όπως τους χρόνους που το εργαλείο είναι εκτός λειτουργίας και όταν βρίσκεται σε αδρανή λειτουργία πέραν του χρόνου ενεργοποίησης).

Δήλωση συμμόρφωσης ΕΚ

Μόνο για χώρες της Ευρώπης

Η δήλωση συμμόρφωσης ΕΚ περιλαμβάνεται ως Παράρτημα Α στο παρόν εγχειρίδιο οδηγιών.

ΠΡΟΕΙΔΟΠΟΙΗΣΕΙΣ ΑΣΦΑΛΕΙΑΣ

Γενικές προειδοποιήσεις ασφαλείας για το ηλεκτρικό εργαλείο

▲ ΠΡΟΕΙΔΟΠΟΙΗΣΗ: Διαβάστε όλες τις προειδοποιήσεις ασφαλείας, οδηγίες, εικονογραφίες και προδιαγραφές που παρέχονται με αυτό το ηλεκτρικό εργαλείο. Η μη τήρηση όλων των οδηγιών που αναγράφονται κατωτέρω μπορεί να καταλήξει σε ηλεκτροπληξία, πυρκαγιά ή/και σοβαρό τραυματισμό.

Φυλάξτε όλες τις προειδοποιήσεις και τις οδηγίες για μελλοντική παραπομπή.

Στις προειδοποιήσεις, ο όρος «ηλεκτρικό εργαλείο» αναφέρεται σε ηλεκτρικό εργαλείο που τροφοδοτείται από την κύρια παροχή ηλεκτρικού ρεύματος (με ηλεκτρικό καλώδιο) ή σε ηλεκτρικό εργαλείο που τροφοδοτείται από μπαταρία (χωρίς ηλεκτρικό καλώδιο).

Προειδοποιήσεις για την ασφάλεια για το φορητό πολυεργαλείο

1. Αυτό το ηλεκτρικό εργαλείο προορίζεται για πριόνισμα, κοπή, τρόχισμα και λείανση. Διαβάστε όλες τις προειδοποιήσεις ασφαλείας, οδηγίες, απεικονίσεις και προδιαγραφές που συνοδεύουν το παρόν ηλεκτρικό εργαλείο. Η μη τήρηση όλων των οδηγιών που αναγράφονται κατωτέρω μπορεί να καταλήξει σε ηλεκτροπληξία, πυρκαγιά ή/και σοβαρό τραυματισμό.
2. Να κρατάτε το ηλεκτρικό εργαλείο από τις μονωμένες επιφάνειες λαβής όταν εκτελείτε εργασίες κατά τις οποίες το εξάρτημα κοπής μπορεί να έρθει σε επαφή με κρυμμένα καλώδια. Σε περίπτωση επαφής του εξαρτήματος κοπής με ηλεκτροφόρο καλώδιο, μπορεί να εκτεθειμένα μεταλλικά εξάρτημα του ηλεκτρικού εργαλείου να καταστούν τα ίδια ηλεκτροφόρα και να προκαλέσουν ηλεκτροπληξία στο χειριστή.
3. Να χρησιμοποιείτε σφικτήρες ή κάποιο άλλο πρακτικό μέσο για να ασφαλίσετε και να στηρίξετε το τεμάχιο εργασίας σε μια σταθερή πλατφόρμα. Αν κρατάτε το τεμάχιο εργασίας με το χέρι σας ή επάνω στο σώμα σας, θα είναι ασταθές και μπορεί να χάσετε τον έλεγχο.
4. Να χρησιμοποιείτε πάντοτε γυαλιά ασφαλείας ή προστατευτικά ματιών. Τα συνηθισμένα γυαλιά και τα γυαλιά ηλίου ΔΕΝ αποτελούν γυαλιά ασφαλείας.
5. Να αποφεύγετε την κοπή καρφιών. Να ελέγχετε το τεμάχιο εργασίας για τυχόν καρφιά και να τα αφαιρείτε πριν από τη λειτουργία.
6. Κρατήστε το εργαλείο σταθερά.
7. Να βεβαιώνετε ότι το εργαλείο εφαρμογής δεν ακουμπάει το τεμάχιο εργασίας πριν ενεργοποιείτε το διακόπτη λειτουργίας.
8. Μην πλησιάζετε τα χέρια σας σε κινούμενα μέρη.
9. Μην αφήνετε το εργαλείο σε λειτουργία. Το εργαλείο πρέπει να βρίσκεται σε λειτουργία μόνο όταν το κρατάτε.
10. Πάντοτε να σβήνετε το εργαλείο και να περιμένετε να σταματήσει να κινείται εντελώς η λάμα πριν τη βγάξετε από το τεμάχιο εργασίας.
11. Μην αγγίζετε το εργαλείο εφαρμογής ή το τεμάχιο εργασίας αμέσως μετά τη λειτουργία του εργαλείου. Μπορεί να είναι εξαιρετικά θερμά και να προκληθεί έγκαυμα στο δέρμα σας.
12. Μη θέτετε το εργαλείο σε λειτουργία χωρίς φόρτο, αν αυτό δεν είναι απαραίτητο.
13. Να χρησιμοποιείτε πάντοτε προσωπίδα κατά της σκόνης ή αναπνευστήρα που είναι κατάλληλος για το υλικό και την εφαρμογή.
14. Μερικά υλικά περιέχουν χημικά που μπορεί να είναι τοξικά. Προσέχετε ώστε να αποφεύγετε την εισπνοή σκόνης και την επαφή με το δέρμα. Ακολουθείτε τα δεδομένα ασφαλείας υλικού που παρέχονται από τον προμηθευτή.
15. Το εργαλείο αυτό δεν είναι αδιάβροχο, γι' αυτό μη χρησιμοποιείτε νερό στην επιφάνεια του τεμαχίου εργασίας.
16. Να αερίζετε το χώρο εργασίας επαρκώς όταν εκτελείτε εργασίες λείανσης.
17. Η χρήση του εργαλείου αυτού για τη λείανση ορισμένων προϊόντων, βαφών και ξύλων μπορεί να εκθέσει το χρήστη σε σκόνη που περιέχει επικίνδυνες ουσίες. Να χρησιμοποιείτε κατάλληλη αναπνευστική προστασία.

18. Πριν από τη χρήση, να βεβαιώνεστε ότι δεν υπάρχουν ρωγμές ή σπασίματα στη βάση. Οι ρωγμές ή τα σπασίματα μπορεί να προκαλέσουν σοβαρό προσωπικό τραυματισμό.
19. Μη χρησιμοποιείτε εξαρτήματα που δεν έχουν σχεδιαστεί ειδικά για το εργαλείο και που δεν συνιστώνται ειδικά από τον κατασκευαστή του εργαλείου. Η χρήση ενός εξαρτήματος απλά και μόνο επειδή δύναται να προσαρμοστεί στο ηλεκτρικό εργαλείο, δεν διασφαλίζει την ασφαλή λειτουργία του.
20. Να φοράτε ατομικό εξοπλισμό προστασίας. Ανάλογα με την εφαρμογή, να χρησιμοποιείτε προσωπικά προστασίας, προστατευτικά γυαλιά-προσωπίδες ή γυαλιά ασφάλειας. Όταν απαιτείται, να φοράτε προστατευτικά ακοής, γάντια και ποδιά συνεργείου ικανά να παρέχουν προστασία από τα εκτινασόμενα μικρά θραύσματα του λειαντικού μέσου ή του τεμαχίου εργασίας. Τα προστατευτικά ματιών πρέπει να είναι ικανά να σταματήσουν τυχόν εκτινασόμενα θραύσματα που δημιουργούνται κατά την εκτέλεση διαφόρων εργασιών. Η μάσκα σκόνης ή η αναπνευστική συσκευή πρέπει να είναι ικανές να φιλτράρουν τα σωματίδια που δημιουργούνται κατά την εκτέλεση των εργασιών σας. Η παρατεταμένη έκθεση σε θορύβου υψηλής έντασης μπορεί να προκαλέσει απώλεια ακοής.
21. Φροντίστε ώστε οι παρευρισκόμενοι να βρίσκονται σε ασφαλή απόσταση από τη θέση εργασίας. Οποιοσδήποτε εισέρχεται στο χώρο εργασίας πρέπει να φορά εξοπλισμό ατομικής προστασίας. Θραύσματα του τεμαχίου εργασίας ή ενός εξαρτήματος που έχει υποστεί θραύση μπορεί να εκπιναχθούν και να προκαλέσουν τραυματισμό πέραν των ορίων του άμεσου χώρου εκτέλεσης εργασιών.
22. Μην αφήνετε το ηλεκτρικό εργαλείο κάτω, πριν σταματήσει πλήρως η περιστροφή του εξαρτήματος. Το περιστρεφόμενο εξάρτημα μπορεί να εμπλακεί στην επιφάνεια εργασίας και να τραβήξει το ηλεκτρικό εργαλείο εκτός ελέγχου.
23. Μη θέσετε το ηλεκτρικό εργαλείο σε λειτουργία, κατά τη μεταφορά του στο πλάι σας. Τυχαία επαφή με το εξάρτημα θα μπορούσε να προκαλέσει την εμπλοκή του στο ρουχισμό και επαφή με το σώμα σας.
24. Μη χειρίζεστε το ηλεκτρικό εργαλείο κοντά σε εύφλεκτα υλικά. Οι σπινθήρες μπορεί να προκαλέσουν ανάφλεξη αυτών των υλικών.
25. Μη χρησιμοποιείτε εξαρτήματα που απαιτούν υγρά ψυκτικά. Η χρήση νερού ή άλλων υγρών ψυκτικών μπορεί να καταλήξει σε ηλεκτροπληξία ή σοκ.
26. Να φροντίζετε πάντα για την απενεργοποίηση και αποσύνδεση του εργαλείου και την αφαίρεση της κασέτας μπαταριών πριν από την εκτέλεση οποιασδήποτε εργασίας στο εργαλείο.
27. Να βεβαιώνεστε πάντοτε ότι στέκεστε σταθερά. Όταν χρησιμοποιείτε το εργαλείο σε υψηλές τοποθεσίες, να βεβαιώνεστε ότι δεν βρίσκεται κανένας από κάτω.

ΦΥΛΑΞΕΤΕ ΑΥΤΕΣ ΤΙΣ ΟΔΗΓΙΕΣ.

▲ ΠΡΟΕΙΔΟΠΟΙΗΣΗ: ΜΗΝ επιτρέψετε στην άνεση ή στην εξοικείωσή σας με το προϊόν (που αποκτιήθηκε από επανειλημμένη χρήση) να αντικαταστήσει την αυστηρή τήρηση των κανόνων ασφαλείας του παρόντος εργαλείου. Η **ΛΑΝΘΑΣΜΕΝΗ ΧΡΗΣΗ** ή η αμέλεια να ακολουθήσετε τους κανόνες ασφαλείας που διατυπώνονται στο παρόν εγχειρίδιο οδηγιών μπορεί να προκαλέσει σοβαρό προσωπικό τραυματισμό.

Σημαντικές οδηγίες ασφαλείας για κασέτα μπαταριών

1. Πριν χρησιμοποιήσετε την κασέτα μπαταριών, διαβάστε όλες τις οδηγίες και σημειώσεις προφυλάξης (1) στον φορητή μπαταριών, (2) στην μπαταρία και (3) στο προϊόν που χρησιμοποιεί την μπαταρία.
2. Μην αποσυναρμολογήσετε την κασέτα μπαταριών.
3. Εάν ο χρόνος λειτουργίας έχει γίνει υπερβολικά βραχύς, σταματήστε τη λειτουργία αμέσως. Αλλιώς, μπορεί να έχει ως αποτέλεσμα κίνδυνο υπερθέρμανσης, πιθανά εγκαύματα ή ακόμη και έκρηξη.
4. Εάν ηλεκτρολύτης μπει στα μάτια σας, ξεπλύνετε τα με καθαρό νερό και ζητήστε ιατρική φροντίδα αμέσως. Αλλιώς, μπορεί να έχει ως αποτέλεσμα απώλεια της όρασης σας.
5. **Μη βραχυκυκλώνετε την κασέτα μπαταριών:**
 - (1) Μην αγγίζετε τους πόλους με οτιδήποτε αγώγιμο υλικό.
 - (2) Αποφύγετε να αποθηκεύετε την κασέτα μπαταριών μέσα σε ένα δοχείο μαζί με άλλα μεταλλικά αντικείμενα όπως καρφιά, νομίσματα, κλπ.
 - (3) Μην εκθέτετε την κασέτα μπαταριών στο νερό ή στη βροχή.

Ένα βραχυκύκλωμα μπαταρίας μπορεί να προκαλέσει μεγάλη ροή ρεύματος, υπερθέρμανση, πιθανά εγκαύματα ακόμη και σοβαρή βλάβη.
6. Μην αποθηκεύετε το εργαλείο και την κασέτα μπαταριών σε τοποθεσίες όπου η θερμοκρασία μπορεί να φτάσει ή να ξεπεράσει τους 50°C.
7. Μην καίτε την κασέτα μπαταριών ακόμη και εάν έχει σοβαρή ζημιά ή είναι εντελώς φθαρμένη. Η κασέτα μπαταριών μπορεί να εκραγεί στη φωτιά.
8. Προσέχετε να μη ρίξετε κάτω ούτε να χτυπήσετε την μπαταρία.
9. Μη χρησιμοποιείτε μπαταρία που έχει υποστεί ζημία.
10. Οι μπαταρίες ιόντων λιθίου που περιέχονται υπόκεινται στις απαιτήσεις της νομοθεσίας για επικίνδυνα αγαθά. Για εμπορικές μεταφορές, για παράδειγμα από τρίτα μέρη, πρέπει να τηρούνται οι διαμεταφορείς, οι ειδικές απαιτήσεις στη συσκευασία και η επισήμανση. Για προετοιμασία του στοιχείου που αποστέλλεται, είναι απαραίτητο να συμβουλευτείτε έναν ειδικό για επικίνδυνα υλικά. Επίσης, τηρήστε τους πιθανούς, πιο αναλυτικούς εθνικούς κανονισμούς. Καλύψτε με αυτοκόλλητη ταινία ή κρύψτε τις ανοικτές επαφές και συσκευάστε την μπαταρία με τρόπο που να μην μπορεί να μετακινείται μέσα στη συσκευασία.
11. Τηρήστε τους τοπικούς κανονισμούς που σχετίζονται με τη διάθεση της μπαταρίας.
12. Χρησιμοποιήστε τις μπαταρίες μόνο με τα προϊόντα που καθορίζει η Makita. Αν τοποθετήσετε τις μπαταρίες σε μη συμβατά προϊόντα μπορεί να έχει ως αποτέλεσμα πυρκαγιά, υπερβολική θερμότητα, έκρηξη ή διαρροή ηλεκτρολύτη.

ΦΥΛΑΞΕΤΕ ΤΙΣ ΟΔΗΓΙΕΣ ΑΥΤΕΣ.

▲ ΠΡΟΣΟΧΗ: Να χρησιμοποιείτε μόνο γνήσιες μπαταρίες της Makita. Η χρήση μη γνήσιων μπαταριών Makita, ή μπαταριών που έχουν τροποποιηθεί, μπορεί να έχει ως αποτέλεσμα τη ρήξη της μπαταρίας, προκαλώντας πυρκαγιά, προσωπικό τραυματισμό και βλάβη. Επίσης, θα ακυρωθεί η εγγύηση της Makita για το εργαλείο και φορητή Makita.

Συμβουλές για τη διατήρηση της μέγιστης ζωής μπαταρίας

1. Φορτίξτε την κασέτα μπαταριών πριν από την πλήρη αποφόρτισή της. Πάντοτε να σταματάτε τη λειτουργία του εργαλείου και να φορτίζετε την κασέτα μπαταριών όταν παρατηρείτε μειωμένη ισχύ εργαλείου.
2. Ποτέ μην επαναφορτίζετε μια πλήρως φορτισμένη κασέτα μπαταριών. Η υπερφόρτιση μειώνει την ωφέλιμη ζωή της μπαταρίας.
3. Να φορτίζετε την κασέτα μπαταριών σε θερμοκρασία δωματίου, δηλαδή στους 10°C έως 40°C. Αφήστε μια θερμή κασέτα μπαταριών να κρυώσει πριν την φορτίσετε.

ΠΕΡΙΓΡΑΦΗ ΛΕΙΤΟΥΡΓΙΑΣ

▲ ΠΡΟΣΟΧΗ: Να φροντίζετε πάντα για την απενεργοποίηση του εργαλείου και την αφαίρεση της κασέτας μπαταρίας, πριν από οποιαδήποτε ρύθμιση ή έλεγχο της λειτουργίας του.

Τοποθέτηση ή αφαίρεση της κασέτας μπαταριών

▲ ΠΡΟΣΟΧΗ: Να σβήνετε πάντα το εργαλείο πριν τοποθετήσετε ή αφαιρέσετε την κασέτα μπαταριών.

▲ ΠΡΟΣΟΧΗ: Κρατήστε το εργαλείο και την κασέτα μπαταριών σταθερά κατά την τοποθέτηση ή αφαίρεση της κασέτας μπαταριών. Εάν δεν κρατάτε το εργαλείο και την κασέτα μπαταριών σταθερά να γλιστρήσουν από τα χέρια σας και να προκληθεί βλάβη στο εργαλείο και την κασέτα μπαταριών και προσωπικός τραυματισμός.

► **Εικ.1:** 1. Κόκκινη ένδειξη 2. Κουμπί 3. Κασέτα μπαταριών

Για να αφαιρέσετε την κασέτα μπαταριών, ολισθήστε την από το εργαλείο ενώ σύρετε το κουμπί στο μπροστινό μέρος της κασέτας.

Για να τοποθετήσετε την κασέτα μπαταριών, ευθυγραμμίστε τη γλώσσα στην κασέτα μπαταριών με την αύλακα στην υποδοχή και ολισθήστε τη στη θέση της. Να την τοποθετείτε πλήρως μέχρι να ασφαλιστεί στη θέση της, γεγονός που υποδεικνύεται με ένα χαρακτηριστικό ήχο. Εάν μπορείτε να δείτε την κόκκινη ένδειξη στην επάνω πλευρά του κουμπιού, δεν έχει κλειδώσει τελείως.

▲ ΠΡΟΣΟΧΗ: Να τοποθετείτε πάντα την κασέτα μπαταριών πλήρως μέχρι να μη βλέπετε την κόκκινη ένδειξη. Εάν δεν ασφαλιστεί, μπορεί να πέσει από το εργαλείο τυχαία, προκαλώντας σωματική βλάβη σε εσάς ή κάποιον άλλο γύρω σας.

▲ ΠΡΟΣΟΧΗ: Μην τοποθετείτε την κασέτα μπαταριών με βία. Εάν η κασέτα δεν ολισθαίνει με ευκολία, τότε δεν έχει τοποθετηθεί κατάλληλα.

Σύστημα προστασίας μπαταρίας

Το εργαλείο είναι εξοπλισμένο με σύστημα προστασίας της μπαταρίας. Αυτό το σύστημα αποκτάει αυτόματα την ισχύ προς το μοτέρ για να παραταθεί η διάρκεια ζωής της μπαταρίας.

Το εργαλείο σταματάει αυτόματα κατά τη διάρκεια της λειτουργίας αν το εργαλείο ή/και η μπαταρία βρεθούν κάτω από τις παρακάτω συνθήκες:

Υπερφόρτωση:

Το εργαλείο λειτουργεί με τρόπο ώστε να αναγκάζεται να καταναλώνει ασυνήθιστα υψηλό ρεύμα.

Σε αυτή την κατάσταση, σβήστε το εργαλείο και διακόψτε την εφαρμογή που προκαλεί την υπερφόρτωση του εργαλείου. Μετά, ενεργοποιήστε το εργαλείο για επανεκκίνηση.

Αν το εργαλείο δεν ξεκινάει, η μπαταρία έχει υπερθερμανθεί. Σε αυτή την κατάσταση, αφήστε την μπαταρία να κρυώσει πριν ενεργοποιήσετε ξανά το εργαλείο.

Χαμηλή τάση μπαταρίας:









Η υπόλοιπη χωρητικότητα μπαταρίας είναι πολύ χαμηλή και το εργαλείο δεν λειτουργεί. Αν ενεργοποιήσετε το εργαλείο, το μοτέρ θα τειθεί ξανά σε λειτουργία αλλά θα σταματήσει σύντομα. Σε αυτή την περίπτωση, αφαιρέστε και επαναφορτίστε την μπαταρία.

Εμφάνιση υπολειπόμενης χωρητικότητας μπαταρίας

Μόνο για κασέτες μπαταρίας με την ενδεικτική λυχνία

► **Εικ.2:** 1. Ενδεικτικές λυχνίες 2. Κουμπί ελέγχου

Πιέστε το κουμπί ελέγχου στην κασέτα μπαταριών για να υποδείξετε την υπολειπόμενη χωρητικότητα μπαταρίας. Οι ενδεικτικές λυχνίες ανάβουν για λίγα δευτερόλεπτα.

Ενδεικτικές λυχνίες		Υπόλοιπη χωρητικότητα
Αναμμένες	Σβηστές	
		75% έως 100%
		50% έως 75%
		25% έως 50%
		0% έως 25%

ΠΑΡΑΤΗΡΗΣΗ: Ανάλογα με τις συνθήκες χρήσης και τη θερμοκρασία περιβάλλοντος, η ένδειξη μπορεί να διαφέρει λίγο από την πραγματική χωρητικότητα.

Δράση διακόπτη

▲ ΠΡΟΣΟΧΗ: Πριν τοποθετήσετε την κασέτα μπαταριών στο εργαλείο, να ελέγχετε πάντα αν το εργαλείο είναι σβηστό.

► **Εικ.3:** 1. Κυλιόμενος διακόπτης

Για να ξεκινήσετε τη λειτουργία του εργαλείου, σύρετε τον κυλιόμενο διακόπτη προς τη θέση "I (ENERGO)". Για να σταματήσετε το εργαλείο, σύρετε τον κυλιόμενο διακόπτη προς τη θέση "O (ANENERGO)".

Ρύθμιση του ρυθμού τροχιακής διαδρομής

► Εικ.4: 1. Καντράν

Είναι δυνατό να ρυθμίσετε το ρυθμό τροχιακής διαδρομής. Για να αλλάξετε το ρυθμό τροχιακής διαδρομής, περιστρέψτε το καντράν μεταξύ 1 και 5. Όσο υψηλότερος είναι ο αριθμός, τόσο υψηλότερος είναι ο ρυθμός τροχιακής διαδρομής. Προρυθμίστε το καντράν στον αριθμό που είναι κατάλληλος για το τεμάχιο εργασίας σας.

ΠΑΡΑΤΗΡΗΣΗ: Δεν είναι δυνατό να περιστρέψετε το καντράν απευθείας από το 1 στο 5 ή από το 5 στο 1. Αν περιστρέψετε το καντράν με βία, μπορεί να προκληθεί ζημιά στο εργαλείο. Όταν αλλάζετε την κατεύθυνση του καντράν, να περιστρέψετε πάντα το καντράν μετακινώντας το σε κάθε ενδιάμεσο αριθμό.

Άναμμα της μπροστινής λάμπας

▲ ΠΡΟΣΟΧΗ: Μην κοιτάζετε κατευθείαν μέσα στο φως ή στην πηγή φωτός.

► Εικ.5: 1. Μπροστινή λυχνία

Σύρετε τον κυλιόμενο διακόπτη προς τη θέση "I (ENERFO)" για να ανάψετε την μπροστινή λυχνία. Η λυχνία είναι συνεχόμενη αναμμένα ενώ ο διακόπτης βρίσκεται στη θέση "I (ENERFO)".

Το φως σβήνει αυτόματα αφού πατήσετε το πίσω μέρος του κυλιόμενου διακόπτη και μετά σύρετε τον κυλιόμενο διακόπτη προς τη θέση "O (ANENERFO)".

Προστασία υπερφόρτωσης

Όταν το εργαλείο υπερφορτωθεί και η θερμοκρασία του εργαλείου ή της κασέτας μπαταριών φτάσει ένα ορισμένο επίπεδο, αναβοσβήνει η μπροστινή λυχνία και σταματάει η λειτουργία του εργαλείου αυτόματα. Απομακρύνετε την αιτία της υπερφόρτωσης και αφήστε το εργαλείο και την κασέτα μπαταριών να κρυώσουν για να γίνει επανεκκίνηση.

ΣΥΝΑΡΜΟΛΟΓΗΣΗ

▲ ΠΡΟΣΟΧΗ: Να βεβαιώνετε πάντα ότι το εργαλείο είναι σβηστό και η κασέτα μπαταρίας έχει αφαιρεθεί πριν εκτελέσετε κάποια εργασία στο εργαλείο.

Τοποθέτηση ή αφαίρεση του εργαλείου εφαρμογής

Προαιρετικό εξάρτημα

▲ ΠΡΟΕΙΔΟΠΟΙΗΣΗ: Μην τοποθετείτε το εργαλείο εφαρμογής ανάποδα. Αν τοποθετήσετε το εργαλείο εφαρμογής ανάποδα, μπορεί να προκληθεί ζημιά στο εργαλείο και να προκληθεί σοβαρός προσωπικός τραυματισμός.

ΠΑΡΑΤΗΡΗΣΗ: Τοποθετήστε το εργαλείο εφαρμογής στη σωστή κατεύθυνση, ανάλογα με την εργασία σας. Μπορείτε να τοποθετήσετε το εργαλείο εφαρμογής σε γωνία σε κάθε 30 μοίρες.

Για να τοποθετήσετε ένα εργαλείο εφαρμογής (προαιρετικό εξάρτημα), τοποθετήστε το εργαλείο εφαρμογής στη φλάντζα εργαλείου ώστε οι προεξοχές στη φλάντζα εργαλείου να ταιριάζουν στις σπές στο εργαλείο εφαρμογής. Μετά, ασφαλίστε το εργαλείο εφαρμογής σφιγγοντας το μπουλόνι σταθερά με το εξαγωνικό κλειδί.

► Εικ.6: 1. Προεξοχές στη φλάντζα εργαλείου 2. Οπές στο εργαλείο εφαρμογής 3. Μπουλόνι τοποθέτησης εργαλείου εφαρμογής

► Εικ.7: 1. Μπουλόνι τοποθέτησης εργαλείου εφαρμογής 2. Εξαγωνικό κλειδί 3. Σφιζτε

Για να αφαιρέσετε το εργαλείο εφαρμογής, χαλαρώστε και αφαιρέστε το μπουλόνι τοποθέτησης εργαλείου εφαρμογής χρησιμοποιώντας ένα εξαγωνικό κλειδί και μετά βγάλτε το εργαλείο εφαρμογής.

Όταν χρησιμοποιείτε το εργαλείο ως λειαντήρα, τοποθετήστε ένα γυαλόχαρτο στη βάση λείανσης (προσάρτηση τύπου άγκιστρου και βρόχου).

Κατά την τοποθέτηση, να βεβαιωθείτε ότι το σχήμα του και οι οπές εξαγωγής σκόνης ταιριάζουν μεταξύ τους.

► Εικ.8: 1. Βάση λείανσης 2. Σφιζτε 3. Γυαλόχαρτο

Για να αφαιρέσετε το γυαλόχαρτο, σηκώστε το άκρο του και αφαιρέστε το.

Όταν χρησιμοποιείτε εργαλεία εφαρμογής με διαφορετικό τύπο τμήματος εγκατάστασης, χρησιμοποιήστε σωστό προσαρμογέα (προαιρετικό αξεσουάρ).

► Εικ.9: 1. Μπουλόνι τοποθέτησης εργαλείου εφαρμογής 2. Οπές στο εργαλείο εφαρμογής 3. Προσαρμογέας (απαιτείται για μερικά εργαλεία εφαρμογής) 4. Προεξοχές στη φλάντζα εργαλείου

Φύλαξη εξαγωνικού κλειδιού

► Εικ.10: 1. Εξαγωνικό κλειδί

Όταν δεν χρησιμοποιείτε το εξαγωνικό κλειδί, αποθηκεύστε το όπως απεικονίζεται, για να μην το χάσετε.

ΛΕΙΤΟΥΡΓΙΑ

▲ ΠΡΟΕΙΔΟΠΟΙΗΣΗ: Πριν ξεκινήσετε το εργαλείο και κατά τη διάρκεια της λειτουργίας, κρατήστε τα χέρια και το πρόσωπό σας μακριά από το εργαλείο εφαρμογής.

▲ ΠΡΟΣΟΧΗ: Μην εφαρμόζετε υπερβολικό φορτίο στο εργαλείο, γεγονός που μπορεί να προκαλέσει το κλειδωμα του μοτέρ και τη διακοπή του εργαλείου.

▲ ΠΡΟΣΟΧΗ: Μη θέτετε το εργαλείο σε λειτουργία πατώντας την κασέτα μπαταριών επάνω στο εργαλείο.

Κοπή, πριόνισμα και ξύσιμο

⚠ ΠΡΟΣΟΧΗ: Μη μετακινείτε το εργαλείο με βία προς την κατεύθυνση (π.χ. προς οποιαδήποτε πλευρά) του εργαλείου εφαρμογής χωρίς άκρο κοπής. Μπορεί να προκληθεί ζημιά στο εργαλείο.

► **Εικ.11**

Τοποθετήστε το εργαλείο εφαρμογής στο τεμάχιο εργασίας. Μετά, μετακινήστε το εργαλείο προς τα μπροστά ώστε η κίνηση του εργαλείου εφαρμογής να μην επιβραδύνεται.

ΠΑΡΑΤΗΡΗΣΗ: Η βία ή η υπερβολική πίεση στο εργαλείο μπορεί να μειώσει την αποδοτικότητά του.

ΠΑΡΑΤΗΡΗΣΗ: Πριν την εργασία κοπής, συνιστάται να προκαθορίσετε το ρυθμό τροχιακής διαδρομής σε 3 - 5.

Λείανση

⚠ ΠΡΟΣΟΧΗ: Μην επαναχρησιμοποιείτε για τη λείανση ξύλου κάποιο γυαλόχαρτο που έχετε χρησιμοποιήσει για τη λείανση μετάλλου.

⚠ ΠΡΟΣΟΧΗ: Μη χρησιμοποιείτε φθαρμένο γυαλόχαρτο ή γυαλόχαρτο χωρίς κόκκους.

Εφαρμόστε το γυαλόχαρτο στο τεμάχιο εργασίας.

► **Εικ.12**

ΠΑΡΑΤΗΡΗΣΗ: Συνιστάται η χρήση ενός δείγματος δοκιμαστικού υλικού για να καθοριστεί ένας σωστός ρυθμός τροχιακής διαδρομής που είναι κατάλληλος για την εργασία σας.

ΠΑΡΑΤΗΡΗΣΗ: Χρησιμοποιήστε γυαλόχαρτο με τους ίδιους κόκκους μέχρι να ολοκληρωθεί η λείανση ολόκληρου του τεμαχίου εργασίας. Αν αντικαταστήσετε ένα γυαλόχαρτο με γυαλόχαρτο διαφορετικών κόκκων, μπορεί να μην έχετε ομοιόμορφο τελείωμα.

Προσάρτημα εξαγωγής σκόνης

Προαιρετικό εξάρτημα

⚠ ΠΡΟΣΟΧΗ: Μη χρησιμοποιείτε το προσάρτημα εξαγωγής σκόνης για τη λείανση μετάλλου. Η αναρρόφηση σπινθήρων και ζεστών σωματιδίων καταλήγει σε κάπνισμα και ανάφλεξη.

► **Εικ.13:** 1. Ένωση 2. Ζώνη ακροφυσίου 3. Ακροφύσιο σκόνης 4. Προσάρτημα σκόνης 5. Αποστάτης 6. Δακτύλιος τσόχας (Ø 47 mm) 7. Βάση (με ένδειξη STARLOCK) 8. Μπουλόνι τοποθέτησης εργαλείου εφαρμογής 9. Δακτύλιος τσόχας (Ø 37 mm) 10. Βάση (με ένδειξη OIS)

1. Τοποθετήστε την ένωση, το ακροφύσιο σκόνης και το προσάρτημα σκόνης.

2. Τοποθετήστε τη ζώνη ακροφυσίου στο εργαλείο ώστε οι προεξοχές να ταιριάζουν στις οπές στο εργαλείο, για να το ασφαλίσετε.

3. Τοποθετήστε το δακτύλιο τσόχας και τη βάση λείανσης στο προσάρτημα σκόνης και μετά ασφαλίστε τα με το μπουλόνι τοποθέτησης εργαλείου εφαρμογής.

Για να εκτελέσετε καθαρότερες εργασίες, συνδέστε ηλεκτρική σκούπα στο εργαλείο. Συνδέστε τον εύκαμπτο σωλήνα της ηλεκτρικής σκούπας με το προσάρτημα εξαγωγής σκόνης (προαιρετικό εξάρτημα).

► **Εικ.14**

ΣΥΝΤΗΡΗΣΗ

⚠ ΠΡΟΣΟΧΗ: Πριν την εκτέλεση εργασιών επιθεώρησης ή συντήρησης, πάντοτε να βεβαιώνεστε ότι η συσκευή απενεργοποιήθηκε και η κασέτα μπαταριών έχει αφαιρεθεί.

ΕΙΔΟΠΟΙΗΣΗ: Μην χρησιμοποιείτε ποτέ βενζίνη, πετρελαϊκό αιθέρα, διαλυτικό, αλκοόλη ή παρόμοιες ουσίες. Μπορεί να προκληθεί αποχρωματισμός, παραμόρφωση ή ρωγμές.

Για τη διατήρηση της ΑΣΦΑΛΕΙΑΣ και ΑΞΙΟΠΙΣΤΙΑΣ του προϊόντος, οι επισκευές και οποιαδήποτε άλλη εργασία συντήρησης ή ρύθμισης πρέπει να εκτελούνται από εξουσιοδοτημένα ή εργοστασιακά κέντρα εξυπηρέτησης της Makita, χρησιμοποιώντας πάντοτε ανταλλακτικά της Makita.

ΠΡΟΑΙΡΕΤΙΚΑ ΕΞΑΡΤΗΜΑΤΑ

⚠ ΠΡΟΣΟΧΗ: Αυτά τα εξαρτήματα ή προσαρτήματα συνιστώνται για χρήση με το εργαλείο Makita που περιγράφτηκε στις οδηγίες αυτές. Η χρήση οποιωνδήποτε άλλων εξαρτημάτων ή προσαρτημάτων μπορεί να προκαλέσει κίνδυνο τραυματισμού σε άτομα. Να χρησιμοποιείτε τα εξαρτήματα ή προσαρτήματα μόνο για την χρήση που προορίζονται.

Εάν χρειάζεστε οποιαδήποτε βοήθεια για περισσότερες πληροφορίες σε σχέση με αυτά τα εξαρτήματα, απευθυνθείτε στο τοπικό σας κέντρο εξυπηρέτησης Makita.

- Τμηματική λάμα πριονιού
- Στρογγυλή λάμα πριονιού
- Λάμα πριονιού βαθιάς κοπής
- Ξύστρα (άκαμπτη)
- Ξύστρα (εύκαμπτη)
- Οδοντωτή λάμα
- Γενικός κόπτης ενώσεων
- Αφαιρέτης HM
- Λάμα πριονιού HM
- Πλάκα λείανσης HM
- Διαμαντένια λάμα πριονιού
- Βάση λείανσης
- Προσαρμογέας
- Δέλτα λειαντικού χαρτιού (κόκκινο / λευκό / μαύρο)
- Δέλτα φλιν (μεσαίων κόκκων / χονδρόκοκκο / χωρίς κόκκους)
- Δέλτα λειαντικής τσόχας
- Εξαγωνικό κλειδί
- Προσάρτημα εξαγωγής σκόνης
- Γνήσια μπαταρία και φορτιστής της Makita

ΠΑΡΑΤΗΡΗΣΗ: Μερικά στοιχεία στη λίστα μπορεί να συμπεριλαμβάνονται στη συσκευασία εργαλείου ως στάνταρ εξαρτήματα. Μπορεί να διαφέρουν ανάλογα με τη χώρα.

TEKNİK ÖZELLİKLER

Model:	TM30D
Dakikadaki salınım sayısı	6.000 - 20.000 min ⁻¹
Salınım açısı, sol/sağ	1,6° (toplam 3,2°)
Anma voltajı	D.C. 10,8 V - 12 V maks
Toplam uzunluk	277 mm - 296 mm
Net ağırlık	1,1 - 1,3 kg

- Sürekli yapılan araştırma ve geliştirmelerden dolayı, burada belirtilen özellikler önceden bildirimlemeden değiştirilebilir.
- Özellikler ülkeden ülkeye değişebilir.
- Ağırlık, ekli aksesuar/aksesuarlara ve batarya kartuşuna bağlı olarak farklılık gösterebilir. EPTA-Prosedürü 01/2014'e göre en hafif ve en ağır kombinasyonlar tabloda verilmiştir.

Geçerli batarya kartuşu ve şarj aleti

Batarya kartuşu	BL1015 / BL1016 / BL1020B / BL1021B / BL1040B / BL1041B
Şarj aleti	DC10SA / DC10SB / DC10WC / DC10WD / DC18RE

- Yukarıda listelenen batarya kartuşlarının ve şarj aletlerinin bazıları yaşadığınız bölgeye bağlı olarak mevcut olmayabilir.

UYARI: Sadece yukarıda listelenen batarya kartuşlarını ve şarj aletlerini kullanın. Başka batarya kartuşlarının ve şarj aletlerinin kullanılması yaralanma ve/veya yangına neden olabilir.

Kullanım amacı

Bu alet tahta, plastik, alçı, içinde demir olmayan metal-ler ve bağlantı elemanlarını (örn. sertleştirilmemiş çivi ve zımbalar) testerelemek ve kesmek için tasarlanmıştır. Ayrıca yumuşak duvar seramikleri ile çalışmak ve küçük yüzeylerin kuru zımparalanması ve raspalanması işlerinde kullanılmak için de kullanılır. Özellikle kenarlara yakın çalışırken ve flush-kesimler için uygundur.

Gürültü

Tipik A-ağırlıklı gürültü düzeyi (EN62841 standardına göre belirlenen):

Çalışma modu: Zımparalama
Ses basınç seviyesi (L_{PA}): 75 dB (A)
Belirsizlik (K): 3 dB (A)

İşlem sırasında gürültü seviyesi 80 dB (A)'yi geçebilir.

Çalışma modu: Dalma testere bıçağı ile kesme
Ses basınç seviyesi (L_{PA}): 82 dB (A)
Ses gücü düzeyi (L_{WA}): 93 dB (A)
Belirsizlik (K): 3 dB (A)

Çalışma modu: Segmental testere bıçağı ile kesme
Ses basınç seviyesi (L_{PA}): 81 dB (A)
Ses gücü düzeyi (L_{WA}): 92 dB (A)
Belirsizlik (K): 3 dB (A)

Çalışma modu: Raspalama
Ses basınç seviyesi (L_{PA}): 81 dB (A)
Ses gücü düzeyi (L_{WA}): 92 dB (A)
Belirsizlik (K): 3 dB (A)

NOT: Beyan edilen gürültü emisyonu değer(ler)i bir standart test yöntemine uygun şekilde ölçülmüştür ve bir aleti bir başkasıyla karşılaştırmak için kullanılabilir.

NOT: Beyan edilen gürültü emisyonu değer(ler)i bir ön maruz kalma değerlendirmesi olarak da kullanılabilir.

UYARI: Kulak koruyucuları takın.

UYARI: Elektrikli aletin gerçek kullanım sırasında gürültü emisyonu, aletin kullanım biçimlerine, özellikle işlenen iş parçasının türüne bağlı olarak beyan edilen değer(ler)den farklı olabilir.

UYARI: Gerçek kullanım koşullarındaki tahmini maruziyeti baz alan, operatörü koruyacak güvenlik önlemlerini mutlaka belirleyin (çalışma döngüsü içerisinde aletin kapalı olduğu ve aktif durumda olmasının yanı sıra boşta çalıştığı zamanlar gibi, bütün zaman dilimleri göz önünde bulundurarak).

Titreşim

Titreşim toplam değeri (üç eksenli vektör toplamı) (EN62841 standardına göre hesaplanan):

Çalışma modu: Zımparalama
Titreşim emisyonu (a_h): 2,5 m/s²den az
Belirsizlik (K) : 1,5 m/s²

Çalışma modu: Dalma testere bıçağı ile kesme
Titreşim emisyonu (a_h): 10,5 m/s²
Belirsizlik (K) : 1,5 m/s²

Çalışma modu: Segmental testere bıçağı ile kesme
Titreşim emisyonu (a_h): 5,5 m/s²
Belirsizlik (K) : 1,5 m/s²

Çalışma modu: Raspalama
Titreşim emisyonu (a_n): 9,0 m/s²
Belirsizlik (K) : 1,5 m/s²

NOT: Beyan edilen titreşim toplam değer(ler)i bir standart test yöntemine uygun şekilde ölçülmüştür ve bir aleti bir başkasıyla karşılaştırmak için kullanılabilir.
NOT: Beyan edilen titreşim toplam değer(ler)i bir ön maruz kalma değerlendirmesi olarak da kullanılabilir.

UYARI: Elektrikli aletin gerçek kullanımı sırasındaki titreşim emisyonu, aletin kullanım biçimlerine, özellikle işlenen iş parçasının türüne bağlı olarak beyan edilen değer(ler)den farklı olabilir.

UYARI: Gerçek kullanım koşullarındaki tahmini maruziyeti baz alan, operatörü koruyacak güvenlik önlemlerini mutlaka belirleyin (çalışma döngüsü içerisinde aletin kapalı olduğu ve aktif durumda olmasının yanı sıra boşta çalıştığı zamanlar gibi, bütün zaman dilimleri göz önünde bulundurarak).

EC Uygunluk Beyanı

Sadece Avrupa ülkeleri için

EC uygunluk beyanı bu kullanın kılavuzuna Ek A olarak eklenmiştir.

GÜVENLİK UYARILARI

Genel elektrikli alet güvenliği uyarıları

UYARI: Bu elektrikli aletle birlikte sunulan tüm güvenlik uyarılarını, talimatları, çizimleri ve teknik özellikleri okuyun. Aşağıda verilen talimatlara uyulmaması elektrik şoku, yangın ve/veya ciddi yaralanmalar ile sonuçlanabilir.

Tüm uyarıları ve talimatları ile- ride başvurmak için saklayın.

Uyarılardaki "elektrikli alet" terimi ile ya prizden çalışan (kordonlu) elektrikli aletiniz ya da kendi aküsü ile çalışan (kordsuz) elektrikli aletiniz kastedilmektedir.

Akülü çok fonksiyonlu alet için güvenlik uyarıları

1. Bu elektrikli alet testereleme, kesme, taşlama ve zımparalama için kullanılır. Bu elektrikli aletle birlikte sunulan tüm güvenlik uyarılarını, talimatları, çizimleri ve teknik özellikleri okuyun. Aşağıda verilen talimatlara uyulmaması elektrik şoku, yangın ve/veya ciddi yaralanmalar ile sonuçlanabilir.
2. Kesici aksesuarın görünmeyen kablolarla temas etme olasılığı bulunan yerlerde çalışırken elektrikli aleti yalıtımlı kavrama yüzeylerinden tutun. Kesici aksesuarın "akımlı" bir telle temas etmesi elektrikli aletin yalıtımsız metal kısımlarını "akımlı" hale getirebilir ve kullanıcıyı elektrik şokuna maruz bırakabilir.

3. İş parçasını düz bir platform üzerine sabitlemek için klemp kullanın ya da başka bir pratik yol bulun. İş parçasını elle tutmak ya da vücudunuzla desteklemek sabit durmasına ve kontrolü kaybetmenize neden olabilir.
4. Her zaman koruyucu gözlük kullanın. Normal gözlük ya da güneş gözlükleri koruyucu gözlüklerin yerine GEÇMEZ.
5. Çivileri kesmekten kaçının. İşlemden önce iş parçasının üzerinde çivi olup olmadığını kontrol edin ve varsa hepsini çıkarın.
6. Aleti sıkıca tutun.
7. Anahtar açılmadan önce uygulama aletinin iş parçasına temas etmediğinden emin olun.
8. Elleriniz hareketli parçalardan uzak tutun.
9. Aleti çalışır durumda bırakmayın. Aleti sadece elinizde iken çalıştırın.
10. Bıçağı iş parçasından çıkarmadan önce daima anahtarı kapatın ve bıçağın tamamen durmasını bekleyin.
11. Uygulama aletine veya iş parçasına işlemden hemen sonra ellemeyin; bunlar çok sıcak olup cildinizi yakabilir.
12. Aleti gereksiz yere yüksüz çalıştırmayın.
13. Çalıştığımız malzemeye ve uygulamaya uygun toz maskesi/respiratör kullanın.
14. Bazı malzemeler zehirli olabile kimyasallar içerirler. Toz yutmayı ve cilt temasını önlemek için tedbir alın. Malzeme sağlayıcısının güvenlik bilgilerine uyun.
15. Bu alet su geçirmez değildir, iş parçasının yüzeyinde su kullanmayın.
16. Zımparalama işlemi sırasında çalışma alanının yeterince havalandırılmasını sağlayın.
17. Bu aletin bazı ürünleri, boyaları ve tahtaları zımparalamak için kullanılması, kullanıcının tehlikeli maddeler içeren tozlara maruz kalmasına neden olabilir. Uygun bir solunum koruması kullanın.
18. Kullanmadan önce ped üzerinde çatlak ya da kırık olmadığından emin olun. Çatlak ya da kırıklar yaralanmaya neden olabilir.
19. Aletin üreticisi tarafından tasarlanmamış ya da tavsiye edilmemiş aksesuarları kullanmayın. Aksesuarın elektrikli aletinize takılabiliyor olması güvenli kullanımın sağlanması için tek başına yeterli değildir.
20. Kişisel koruyucu donanım kullanın. Uygulamaya göre, yüz siperi veya koruyucu gözlük takın. Uygun durumlarda; kulak koruyucu, eldiven ve küçük aşındırıcı parçalar ile iş parçasının parçacıklarını engelleyebilecek nitelikte önlük giyin. Göz koruyucu, çeşitli işlemlerin üreteceği sıçrayan parçacıkları durdurabilecek nitelikte olmalıdır. Toz maskesi veya respiratör, işlem sırasında oluşan parçacıkları filtre edebilecek nitelikte olmalıdır. Uzun süre yüksek giddetli gürültüye maruz kalmak işitme kaybına neden olabilir.
21. Etrafınızdaki kişilerin iş sahasından güvenli bir uzaklıkta durmasını sağlayın. İş sahasına giren herkes kişisel koruyucu ekipmanlar giymelidir. İş parçasının veya kırık bir aksesuarın parçaları sıçrayabilir ve iş sahasının yakınındaki kişileri yaralayabilir.

22. **Aksesuar tamamen durmadan elektrikli aleti asla yere bırakmayın.** Dönen aksesuar yüzeye takılarak elektrikli aletin kontrolünüzden çıkmasına neden olabilir.
23. **Elektrikli aleti yanınızda taşırken çalıştırmayın.** Aksesuara istem dışı temas edilmesi sonucu kıyafetiniz takılarak vücudunuzu aksesuara doğru çekebilir.
24. **Elektrikli aleti alev alabilecek malzemelerin yakınında kullanmayın.** Kıvılcıklar bu malzemeleri ateşleyebilir.
25. **Sıvı soğutucu gerektiren aksesuarları kullanmayın.** Su veya başka sıvı soğutucular kullanılması elektrik çarpmasına veya şoka neden olabilir.
26. **Alet üzerinde herhangi bir işlem yapmadan önce aletin kapalı, fişinin çekilmiş ve batarya kartuşunun çıkarılmış olduğundan daima emin olun.**
27. **Her zaman yere sağlam basın.** Aleti yüksekte kullandığınızda, altında kimsenin olmadığından emin olun.

BU TALİMATLARI MUHAFAZA EDİNİZ.

⚠UYARI: Ürünü kullanırken (defalarca kullanınca kazanılan) rahatlık ve tanıdıklık duygusunun ilgili ürünün güvenlik kurallarına sıkı sıkıya bağlı kalmanın yerine geçmesine İZİN VERMEYİN. YANLIŞ KULLANIM veya bu kullanma kılavuzunda belirtilen emniyet kurallarına uymama ciddi yaralanmaya neden olabilir.

Batarya kartuşu hakkında önemli güvenlik talimatları

1. **Batarya kartuşunu kullanmadan önce, tüm talimatları ve (1) batarya kartuşu, (2) batarya ve (3) ürün üzerindeki tüm uyarı işaretlerini okuyun.**
2. **Batarya kartuşunu demonte etmeyin.**
3. **Çalışma süresi aşırı derecede kısalmışsa kullanmayı derhal bırakın. Aşırı ısınma, yanma riski hatta patlamaya neden olabilir.**
4. **Gözünüze elektrolit kaçarsa, gözlerinizi temiz suyla durulayın ve hemen tıbbi yardım alın. Görme kaybına yol açabilir.**
5. **Batarya kartuşuna kısa devre yaptırmayın:**
 - (1) **Terminallere herhangi bir iletken madde değdirmeyin.**
 - (2) **Batarya kartuşunu çiviler, madeni paralar, vb. gibi başka metal nesnelere aynı kaba koymaktan kaçının.**
 - (3) **Batarya kartuşunu yağmura ya da suya maruz bırakmayın.****Kısa devre, büyük bir akım akışına, aşırı ısınmaya, olası yanıklara hatta bataryanın bozulmasına yol açabilir.**
6. **Aleti ve batarya kartuşunu sıcaklığın 50°C ya da daha yükseğe ulaştığı yerlerde saklamayın.**
7. **Aşırı derecede hasar görmüş ya da tamamen kullanılamaz durumda olsa bile batarya kartuşunu yakmayın. Batarya kartuşu ateşe atılırsa patlayabilir.**

8. **Bataryayı düşürmemeye ve çarpmamaya dikkat edin.**
9. **Hasarlı bataryayı kullanmayın.**
10. **Aletin içerdiği lityum-iyon bataryalar Tehlikeli Eşyalar Yönetmeliğinin gereksinimlerine tabidir.**

Ticari nakliye işlemleri için, örneğin üçüncü taraflar, nakliye acenteleri tarafından yapılan nakliyelerde, paketleme ve etiketleme gereksinimlerine uyulmalıdır.

Nakliyesi yapılacak ürünün hazırlanması için, tehlikeli maddeler konusunda uzman bir kişiye danışın. Lütfen muhtemelen daha ayrıntılı olan ulusal yönetmeliklere de uyun.

Açık kontakları bantlayın ya da maskeleyin ve bataryayı paketin içinde hareket etmeyecek şekilde paketleyin.
11. **Bataryanın elden çıkarılması ile ilgili yerel düzenlemelere uyunuz.**
12. **Bataryaları sadece Makita tarafından belirtilen ürünlerle kullanın.** Bataryaların uyumsuz ürünlere takılması; yangın, aşırı ısınma, patlama ya da elektrolit sızıntısına neden olabilir.

BU TALİMATLARI MUHAFAZA EDİNİZ.

⚠DİKKAT: Sadece orijinal Makita bataryalarını kullanın. Orijinal olmayan Makita bataryaları ya da üzerine değişiklik yapılmış bataryaların kullanımı bataryanın patlamasına ve sonuç olarak yangın, kişisel yaralanma ve hasara neden olabilir. Ayrıca Makita aleti ve şarj aletinin Makita tarafından sunulan garantisini geçersiz olur.

Maksimum batarya ömrü için ipuçları

1. **Batarya kartuşunu tamamen boşalmadan önce şarj edin. Aletin gücünün zayıflamaya başladığını fark ettiğinizde aleti durdurun ve batarya kartuşunu şarj edin.**
2. **Tam dolu bir batarya kartuşunu asla yeniden şarj etmeyin. Aşırı şarj etme bataryanın hizmet ömrünü kısaltır.**
3. **Batarya kartuşunu 10°C - 40°C oda sıcaklığında şarj edin. Sıcak bir batarya kartuşunu şarj etmeden önce soğumasını bekleyin.**

İŞLEVSEL NİTELİKLER

⚠️ DİKKAT: Alet üzerinde ayarlama veya işleyiş kontrolü yapmadan önce aletin kapalı ve batarya kartuşunun ayrılmış olduğundan daima emin olun.

Batarya kartuşunun takılması ve çıkarılması

⚠️ DİKKAT: Batarya kartuşunu takmadan ya da çıkarmadan önce aleti daima kapatın.

⚠️ DİKKAT: Batarya kartuşunu takarken veya çıkarırken aleti ve batarya kartuşunu sıkıca tutun. Aletin ve batarya kartuşunun sıkıca tutulmaması bunların düşürülmesine sebep olabilir ve alet ve batarya kartuşunun zarar görmesine ya da ciddi yaralanmasına yol açabilir.

► **Şek.1:** 1. Kırmızı gösterge 2. Düğme 3. Batarya kartuşu

Batarya kartuşunu çıkarmak için, kartuşun ön tarafındaki düğmeyi kaydırarak kartuşu aletten çıkarın.

Batarya kartuşunu takmak için, batarya kartuşu üzerindeki dili yuvanın çentiği ile hizalayın ve yerine oturtun. Hafif bir tık sesi duyulana kadar itip yerine tam oturmasını sağlayın. Düğmenin üst tarafındaki kırmızı gösterge görünüyorsa tam yerine kilitlenmemiş demektir.

⚠️ DİKKAT: Batarya kartuşunu daima kırmızı gösterge görünmeyecek şekilde tam olarak takın. Yerine tam oturmazsa, aletten yanlışlıkla düşebilir, sizin ya da çevrenizdeki kişilerin yaralanmasına neden olabilir.

⚠️ DİKKAT: Batarya kartuşunu zorlayarak takmayın. Kartuş kolay bir şekilde kaymıyorsa doğru yerleştirilmemiş demektir.

Batarya koruma sistemi

Bu alet bir batarya koruma sistemi ile donatılmıştır. Bu sistem motora giden gücü otomatik olarak keserek uzun batarya ömrü sağlar.

Alet ve/veya batarya için aşağıdaki durumlardan biri söz konusu olduğunda aletin işleyişi otomatik olarak durur:

Aşırı yüklenme:

Alet, anormal derecede yüksek akım çekmesine neden olacak şekilde kullanılmaktadır.

Bu durumda, aleti kapatın ve aletin aşırı yüklenmesine neden olan uygulamayı durdurun. Daha sonra aleti yeniden başlaması için çalıştırın.

Alet çalışmaya başlamazsa, batarya aşırı ısınmış demektir. Bu durumda, aleti yeniden çalıştırmadan önce bataryanın soğumasını bekleyin.

Düşük batarya voltajı:

Kalan batarya kapasitesi çok düşüktür ve alet çalışmaz. Aleti çalıştırırsanız, motor tekrar çalışır fakat kısa zaman sonra durur. Bu durum söz konusuysa, bataryayı çıkarıp şarj edin.

Kalan batarya kapasitesinin gösterilmesi

Sadece göstergeli batarya kartuşları için

► **Şek.2:** 1. Gösterge lambaları 2. Kontrol düğmesi

Kalan batarya kapasitesini göstermesi için batarya kartuşu üzerindeki kontrol düğmesine basın. Gösterge lambaları birkaç saniye yanar.

Gösterge lambaları		Kalan kapasite
Yanıyor	Kapalı	
■ ■ ■ ■	□	%75 ila %100
■ ■ ■ □	□	%50 ila %75
■ ■ □ □	□	%25 ila %50
■ □ □ □	□	%0 ila %25

NOT: Kullanım koşullarına ve ortam sıcaklığına bağlı olarak, gösterilen değer gerçek kapasiteden biraz farklılık gösterebilir.

Anahtar işlemleri

⚠️ DİKKAT: Batarya kartuşunu alete takmadan önce, aletin kapalı olduğundan emin olmak için mutlaka kontrol edin.

► **Şek.3:** 1. Sürgülü anahtar

Aleti başlatmak için, sürgülü anahtarı "I (AÇIK)" konumuna getirin.

Aleti durdurmak için, sürgülü anahtarı "O (KAPALI)" konumuna getirin.

Orbital darbe hızının ayarlanması

► **Şek.4:** 1. Kadran

Orbital darbe hızı ayarlanabilir. Orbital darbe hızını değiştirmek için, kadranı 1 ilâ 5 arasında bir rakama getirin. Sayı arttıkça, orbital darbe hızı da artar. Kadranı çalıştığınız iş parçasına uygun olan rakama ayarlayın.

NOT: Kadran doğrudan 1'den 5'e ya da 5'ten 1'e çevrilemez. Kadranı zorlamak alete zarar verebilir. Kadranın yönünü değiştirirken kadranı aradaki sayıları her birine getirerek çevirmelisiniz.

Ön lambanın yakılması

⚠️ DİKKAT: Işığa bakmayın ya da ışık kaynağını doğrudan görmeyin.

► **Şek.5:** 1. Ön lamba

Ön lambayı yakmak için sürgülü anahtarı "I (AÇIK)" konumuna getirin. Anahtar "I (AÇIK)" konumundayken lamba yanmaya devam eder.

Sürgülü anahtarın arka tarafına basıldığında ve ardından sürgülü anahtar "O (KAPALI)" konumuna getirildiğinde ışık otomatik olarak söner.

Aşırı yük koruması

Alet aşırı yüklendiğinde ve aletin ya da batarya kartuşunun sıcaklığı belli bir seviyeye ulaştığında, ön lamba yanıp söner ve alet otomatik olarak durur. Aşırı yüklenmenin sebebini ortadan kaldırın ve yeniden başlatmak için aleti ve batarya kartuşunu soğutun.

MONTAJ

⚠DİKKAT: Alet üzerinde herhangi bir iş yapmadan önce aletin kapalı ve batarya kartuşunun ayrılmış olduğundan daima emin olun.

Uygulama aletinin takılması veya çıkarılması

İsteğe bağlı aksesuar

⚠UYARI: Uygulama aletini baş aşağı takmayın. Uygulama aletinin baş aşağı takılması ciddi yaralanmalara ve alete zarar gelmesine neden olabilir.

NOT: Uygulama aletini çalıştığınız işe göre doğru yönde takın. Uygulama aleti 30 derecelik açıyla takılabilir.

Uygulama aletini (isteğe bağlı aksesuar) takmak için, uygulama aletini alet flanşının çıkıntılarını uygulama aletindeki deliklere oturacak şekilde alet flanşının üstüne koyun. Ardından uygulama aletini civatayı altıgen anahtarla iyice sıkılayarak sabitleyin.

- **Şek.6:** 1. Alet flanşının çıkıntılarını 2. Uygulama aletindeki delikler 3. Uygulama aleti montaj civatası
- **Şek.7:** 1. Uygulama aleti montaj civatası 2. Altıgen anahtar 3. Sıkıla

Uygulama aletini çıkarmak için, altıgen bir anahtar kullanarak uygulama aleti montaj civatasını gevşetin ve sökün, ardından uygulama aletini çıkarın.

Aleti zımpara aleti olarak kullanırken, zımpara pedinin üzerine bir zımpara kağıdı yerleştirin (kanca ve halka türü bağlantı).

Yerleştirirken şekillerinin ve toz çekme deliklerinin aynı hizaya geldiğinden emin olun.

- **Şek.8:** 1. Zımpara pedi 2. Sıkıla 3. Zımpara kağıdı
- Zımpara kağıdını çıkarmak için, ucunu kaldırın ve sökü� çıkarın.

Farklı bir montaj türüne sahip olan uygulama aletlerini kullanacağınız zaman doğru bir adaptör (isteğe bağlı aksesuar) kullanın.

- **Şek.9:** 1. Uygulama aleti montaj civatası 2. Uygulama aletindeki delikler 3. Adaptör (bazı uygulama aletleri için gerekli) 4. Alet flanşının çıkıntılarını

Altıgen anahtarın saklanması

- **Şek.10:** 1. Altıgen anahtar

Kullanılmadığı zamanlarda, altıgen anahtarın kaybolmasını önlemek için anahtarları şekilde gösterildiği gibi saklayın.

KULLANIM

⚠UYARI: Aleti kullanmaya başlamadan önce ve çalışma sırasında, elinizi ve yüzünüzü uygulama aletinden uzak tutun.

⚠DİKKAT: Alete aşırı güç uygulamayın, aksi takdirde motor kilitlenebilir ve alet durabilir.

⚠DİKKAT: Batarya kartuşunu alete doğru bastırarak aleti çalıştırmayın.

Kesme, testereleme ve raspalama

⚠DİKKAT: Aleti, kesici kenarı olmayan uygulama aletlerinin yönünde (her iki tarafı doğrultusunda) zorlayarak hareket ettirmeyin. Böyle yapmak alete zarar verebilir.

► Şek.11

Uygulama aletini iş parçasının üzerine yerleştirin. Daha sonra, uygulama aletinin hareketi yavaşlamaya-
cak şekilde aleti ileri doğru hareket ettirin.

NOT: Aleti zorlama veya alet üzerinde aşırı basınç uygulama verimi azaltabilir.

NOT: Kesim işleminden önce orbital darbe hızının 3 ilâ 5 arasında bir değere ayarlanması tavsiye edilir.

Zımparalama

⚠DİKKAT: Metal zımparalamak için kullanılmış bir zımpara kağıdını tahta zımparalamak için tekrar kullanmayın.

⚠DİKKAT: Aşınmış bir zımpara kağıdını veya zımpara tanecekleri olmayan bir zımpara kağıdını kullanmayın.

Zımpara kağıdını iş parçasının üzerine uygulayın.

► Şek.12

NOT: Çalıştığınız işe uygun doğru bir orbital darbe hızı belirlemek için bir test materyali numunesi kullanarak deneme yapmanız tavsiye edilir.

NOT: İş parçasının tamamının zımparalanması tamamlanana kadar aynı tip zımpara taneceklerine sahip bir zımpara kağıdı kullanın. Farklı tip zımpara taneceklerine sahip bir zımpara kağıdı ile değiştirmek iyi bir finiş sağlanamamasına neden olabilir.

Toz çekme ek parçası

İsteğe bağlı aksesuar

⚠DİKKAT: Metal malzemeleri zımparalarken toz çekme ek parçasını kullanmayın. Kıvılcım ve sıcak parçacıkların çekilmesi duman çıkmasına ve tutuşmasına neden olabilir.

- **Şek.13:** 1. Bağlantı parçası 2. Toplama başlığı kelepçesi 3. Toz toplama başlığı 4. Toz haznesi bağlantısı 5. Ara parça 6. Keçe halka (ø 47 mm) 7. Ped (STARLOCK etiketli) 8. Uygulama aleti montaj civatası 9. Keçe halka (ø 37 mm) 10. Ped (OIS etiketli)

1. Bağlantı parçasını, toz toplama başlığını ve toz haznesi bağlantısını takın.
2. Toplama başlığı kelepçesini aletin üzerine yerleştirin ve sabitlemesi için çıkıntılarını alet üzerindeki deliğe oturtun.

3. Keçe halkayı ve zımpara pedini toz haznesi bağlantısı üzerine takın ve uygulama aleti montaj civatası ile sabitleyin.

Daha temiz çalışmak için, makinenize bir elektrikli süpürge bağlayın. Elektrikli süpürge hortumunu toz çekme ek parçasına (isteğe bağlı aksesuar) bağlayın.

► **Şek.14**

NOT: Listedeki parçaların bazıları alet paketi içerisinde standart aksesuar olarak dahil edilmiş olabilir. Bunlar ülkeden ülkeye farklılık gösterebilir.

BAKIM

⚠ DİKKAT: Muayene ya da bakım yapmadan önce aletin kapalı ve batarya kartuşunun çıkarılmış olduğundan daima emin olun.

ÖNEMLİ NOT: Benzin, tiner, alkol ve benzeri maddeleri kesinlikle kullanmayın. Renk değişimi, deformasyon veya çatlaklar oluşabilir.

Aleti EMNİYETLİ ve ÇALIŞMAYA HAZIR durumda tutmak için onarımlar, başka her türlü bakım ve ayarlamalar daima Makita yedek parçaları kullanılarak Makita yetkili servis merkezleri veya Fabrikanın Servis Merkezleri tarafından yapılmalıdır.

İSTEĞE BAĞLI AKSESUARLAR

⚠ DİKKAT: Bu aksesuarlar ve ek parçalar bu el kitabında belirtilen Makita aletiniz ile kullanılmak için tavsiye edilmektedir. Herhangi başka bir aksesuar ya da ek parça kullanılması insanlar için bir yaralanma riski getirebilir. Aksesuarları ya da ek parçaları yalnızca belirtilmiş olan kullanım amaçlarına uygun olarak kullanın.

Bu aksesuarlarla ilgili daha fazla bilgiye ihtiyaç duyarsanız bulunduğunuz yerdeki yetkili Makita servisine başvurun.

- Segment testere bıçağı
- Yuvarlak testere bıçağı
- Dalma testere bıçağı
- Raspa (sert)
- Raspa (esnek)
- Dişli segment bıçağı
- Derz makinesi
- HM çıkartıcı
- HM segment testere bıçağı
- HM zımpara plakası
- Elmas segment testere bıçağı
- Zımpara pedi
- Adaptör
- Üçgen zımpara kağıdı (kırmızı / beyaz / siyah)
- Üçgen zımpara kaplaması (orta / kalın / taneciksiz)
- Üçgen zımpara için polisaj keçesi
- Altıgen anahtar
- Toz çekme ek parçası
- Orijinal Makita batarya ve şarj aleti

Makita Europe N.V. Jan-Baptist Vinkstraat 2,
3070 Kortenberg, Belgium

Makita Corporation 3-11-8, Sumiyoshi-cho,
Anjo, Aichi 446-8502 Japan

www.makita.com

885495C993
EN, FR, DE, IT, NL,
ES, PT, DA, EL, TR
20181127