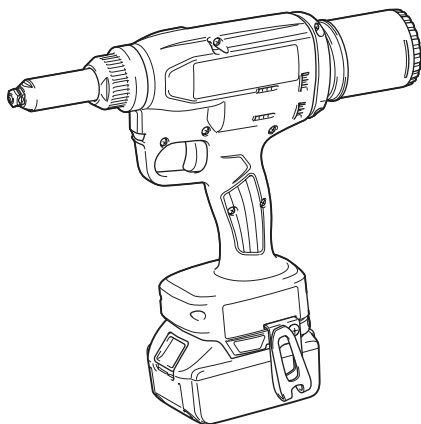




EN	Cordless Rivet Gun	INSTRUCTION MANUAL	4
FR	Riveteuse à batterie	MANUEL D'INSTRUCTIONS	10
DE	Akku Blindniet Setzgerät	BETRIEBSANLEITUNG	17
IT	Rivettatrice a batteria	ISTRUZIONI PER L'USO	24
NL	Accuklinknagelpistool	GEBRUIKSAANWIJZING	31
ES	Pistola Remachadora Inalámbrica	MANUAL DE INSTRUCCIONES	38
PT	Rebitador a Bateria	MANUAL DE INSTRUÇÕES	45
DA	Akku nittepistol	BRUGSANVISNING	51
EL	Πριτσιναδόρος μπαταρίας	ΕΓΧΕΙΡΙΔΙΟ ΟΔΗΓΙΩΝ	57
TR	Akülü Perçin Tabancası	KULLANMA KILAVUZU	64

DRV150
DRV250



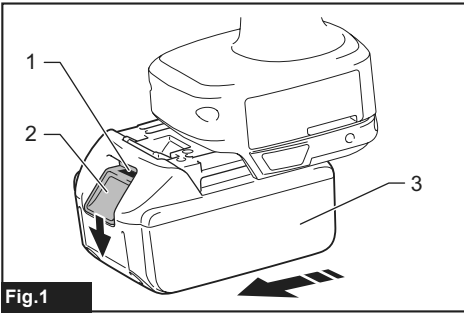


Fig.1

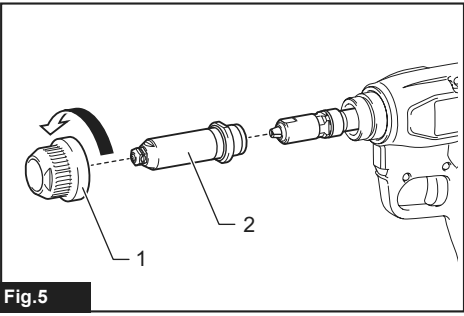


Fig.5

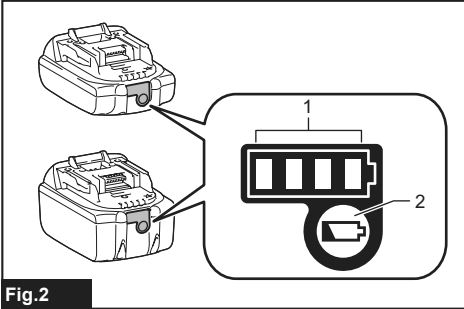


Fig.2

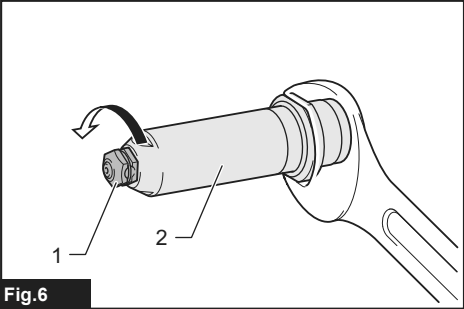


Fig.6

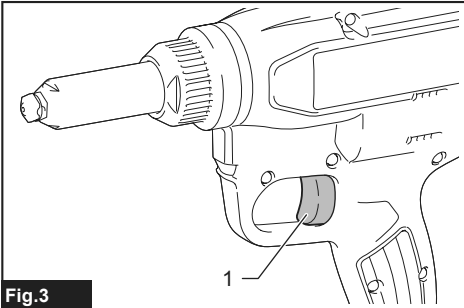


Fig.3

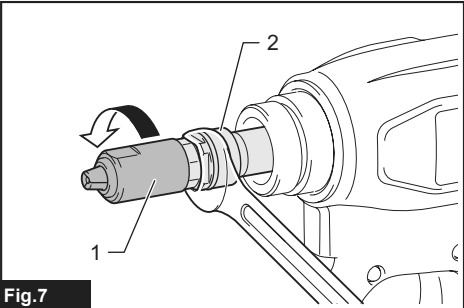


Fig.7

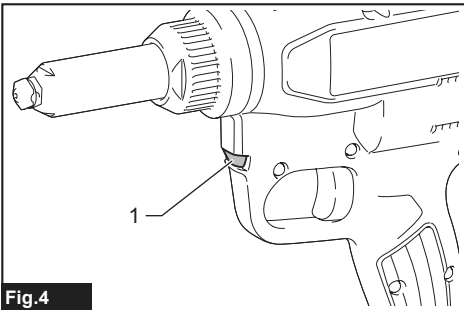


Fig.4

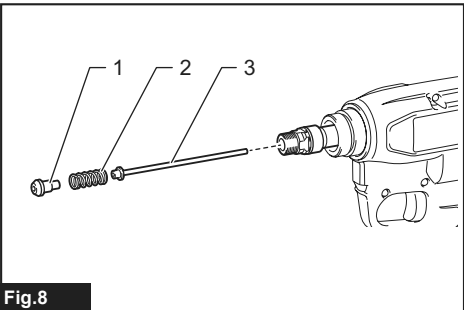


Fig.8

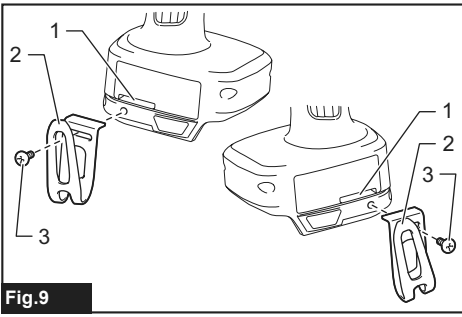


Fig.9

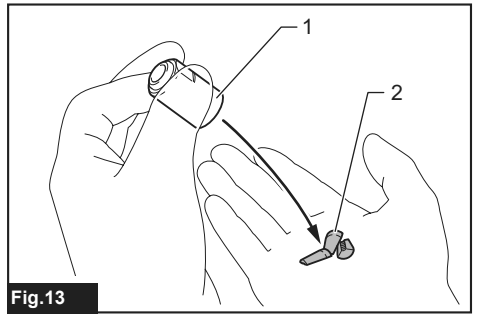


Fig.13

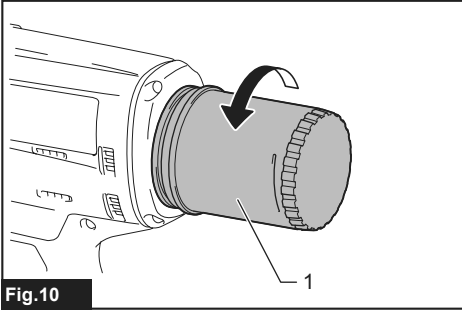


Fig.10

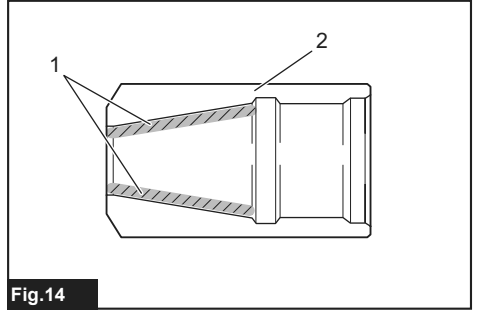


Fig.14

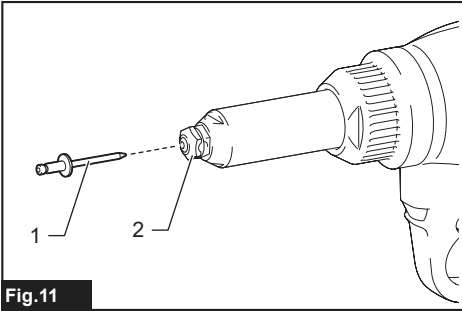


Fig.11

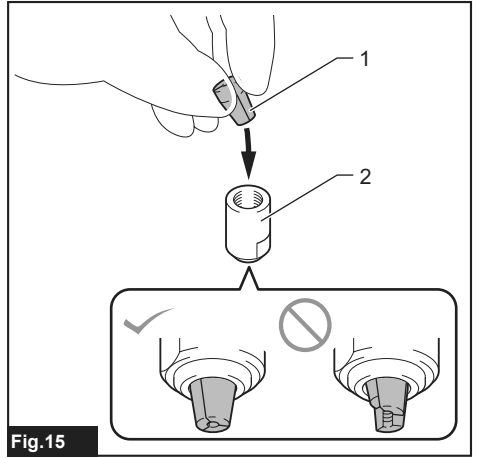


Fig.15

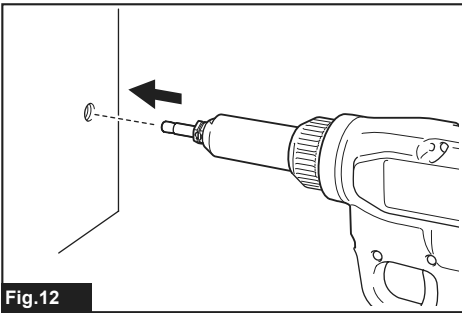


Fig.12

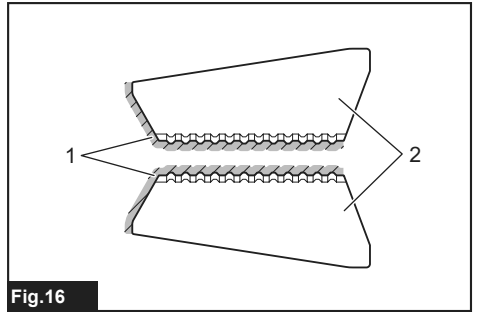


Fig.16

SPECIFICATIONS

Model:	DRV150	DRV250
Pulling force	10 kN	20 kN
Stroke	25 mm	30 mm
Overall length	313 mm	323 mm
Rated voltage	D.C. 18 V	
Net weight	1.9 - 2.2 kg	2.1 - 2.4 kg

- Due to our continuing program of research and development, the specifications herein are subject to change without notice.
- Specifications may differ from country to country.
- The weight may differ depending on the attachment(s), including the battery cartridge. The lightest and heaviest combination, according to EPTA-Procedure 01/2014, are shown in the table.

Applicable battery cartridge and charger

Battery cartridge	BL1815N / BL1820 / BL1820B / BL1830 / BL1830B / BL1840 / BL1840B / BL1850 / BL1850B / BL1860B
Charger	DC18RC / DC18RD / DC18RE / DC18SD / DC18SE / DC18SF / DC18SH

- Some of the battery cartridges and chargers listed above may not be available depending on your region of residence.

⚠ WARNING: Only use the battery cartridges and chargers listed above. Use of any other battery cartridges and chargers may cause injury and/or fire.

Intended use

The tool is intended for installing blind rivet.

Noise

The typical A-weighted noise level determined according to EN62841-1:

Model DRV150

Sound pressure level (L_{pA}) : 75 dB(A)

Uncertainty (K) : 3 dB(A)

Model DRV250

Sound pressure level (L_{pA}) : 74 dB(A)

Uncertainty (K) : 3 dB(A)

The noise level under working may exceed 80 dB (A).

NOTE: The declared noise emission value(s) has been measured in accordance with a standard test method and may be used for comparing one tool with another.

NOTE: The declared noise emission value(s) may also be used in a preliminary assessment of exposure.

⚠ WARNING: Wear ear protection.

⚠ WARNING: The noise emission during actual use of the power tool can differ from the declared value(s) depending on the ways in which the tool is used especially what kind of workpiece is processed.

⚠ WARNING: Be sure to identify safety measures to protect the operator that are based on an estimation of exposure in the actual conditions of use (taking account of all parts of the operating cycle such as the times when the tool is switched off and when it is running idle in addition to the trigger time).

Vibration

The vibration total value (tri-axial vector sum) determined according to EN62841-1:

Model DRV150

Work mode: Installing blind rivet

Vibration emission (a_h) : 2.5 m/s² or less

Uncertainty (K) : 1.5 m/s²

Model DRV250

Work mode: Installing blind rivet

Vibration emission (a_h) : 2.5 m/s² or less

Uncertainty (K) : 1.5 m/s²

NOTE: The declared vibration total value(s) has been measured in accordance with a standard test method and may be used for comparing one tool with another.

NOTE: The declared vibration total value(s) may also be used in a preliminary assessment of exposure.

⚠ WARNING: The vibration emission during actual use of the power tool can differ from the declared value(s) depending on the ways in which the tool is used especially what kind of workpiece is processed.

⚠ WARNING: Be sure to identify safety measures to protect the operator that are based on an estimation of exposure in the actual conditions of use (taking account of all parts of the operating cycle such as the times when the tool is switched off and when it is running idle in addition to the trigger time).

EC Declaration of Conformity

For European countries only

The EC declaration of conformity is included as Annex A to this instruction manual.

SAFETY WARNINGS

General power tool safety warnings

⚠WARNING: Read all safety warnings, instructions, illustrations and specifications provided with this power tool. Failure to follow all instructions listed below may result in electric shock, fire and/or serious injury.

Save all warnings and instructions for future reference.

The term "power tool" in the warnings refers to your mains-operated (corded) power tool or battery-operated (cordless) power tool.

Cordless rivet gun safety warnings

1. **Hold the tool firmly.**
2. **Keep hands away from moving parts.**
3. **Always be sure you have a firm footing. Be sure no one is below when using the tool in high locations.**
4. **Be careful not to drop the broken off mandrel from high locations.** Doing so may cause an accident or injury.
5. **Do not scatter the broken off mandrels on the floor.** You may be injured by the sharp end of the broken off mandrel or by slipping on the mandrel.
6. **Do not point the tool at a person or yourself when operating the tool.** The rivet or broken off mandrel may accidentally ejected, and you may be injured.

Important safety instructions for battery cartridge

1. **Before using battery cartridge, read all instructions and cautionary markings on (1) battery charger, (2) battery, and (3) product using battery.**
2. **Do not disassemble battery cartridge.**
3. **If operating time has become excessively shorter, stop operating immediately.** It may result in a risk of overheating, possible burns and even an explosion.
4. **If electrolyte gets into your eyes, rinse them out with clear water and seek medical attention right away.** It may result in loss of your eyesight.
5. **Do not short the battery cartridge:**
 - (1) **Do not touch the terminals with any conductive material.**

- (2) **Avoid storing battery cartridge in a container with other metal objects such as nails, coins, etc.**
- (3) **Do not expose battery cartridge to water or rain.**

A battery short can cause a large current flow, overheating, possible burns and even a breakdown.

6. **Do not store the tool and battery cartridge in locations where the temperature may reach or exceed 50 °C (122 °F).**
7. **Do not incinerate the battery cartridge even if it is severely damaged or is completely worn out. The battery cartridge can explode in a fire.**
8. **Be careful not to drop or strike battery.**
9. **Do not use a damaged battery.**
10. **The contained lithium-ion batteries are subject to the Dangerous Goods Legislation requirements.**

For commercial transports e.g. by third parties, forwarding agents, special requirement on packaging and labeling must be observed.

For preparation of the item being shipped, consulting an expert for hazardous material is required. Please also observe possibly more detailed national regulations.

Tape or mask off open contacts and pack up the battery in such a manner that it cannot move around in the packaging.

11. **When disposing the battery cartridge, remove it from the tool and dispose of it in a safe place. Follow your local regulations relating to disposal of battery.**
12. **Use the batteries only with the products specified by Makita.** Installing the batteries to non-compliant products may result in a fire, excessive heat, explosion, or leak of electrolyte.
13. **If the tool is not used for a long period of time, the battery must be removed from the tool.**

SAVE THESE INSTRUCTIONS.

⚠CAUTION: Only use genuine Makita batteries. Use of non-genuine Makita batteries, or batteries that have been altered, may result in the battery bursting causing fires, personal injury and damage. It will also void the Makita warranty for the Makita tool and charger.

Tips for maintaining maximum battery life

1. **Charge the battery cartridge before completely discharged. Always stop tool operation and charge the battery cartridge when you notice less tool power.**
2. **Never recharge a fully charged battery cartridge. Overcharging shortens the battery service life.**
3. **Charge the battery cartridge with room temperature at 10 °C - 40 °C (50 °F - 104 °F). Let a hot battery cartridge cool down before charging it.**
4. **Charge the battery cartridge if you do not use it for a long period (more than six months).**

FUNCTIONAL DESCRIPTION

CAUTION: Always be sure that the tool is switched off and the battery cartridge is removed before adjusting or checking function on the tool.

Installing or removing battery cartridge

CAUTION: Always switch off the tool before installing or removing of the battery cartridge.

CAUTION: Hold the tool and the battery cartridge firmly when installing or removing battery cartridge. Failure to hold the tool and the battery cartridge firmly may cause them to slip off your hands and result in damage to the tool and battery cartridge and a personal injury.

► Fig.1: 1. Red indicator 2. Button 3. Battery cartridge

To remove the battery cartridge, slide it from the tool while sliding the button on the front of the cartridge.

To install the battery cartridge, align the tongue on the battery cartridge with the groove in the housing and slip it into place. Insert it all the way until it locks in place with a little click. If you can see the red indicator on the upper side of the button, it is not locked completely.

CAUTION: Always install the battery cartridge fully until the red indicator cannot be seen. If not, it may accidentally fall out of the tool, causing injury to you or someone around you.

CAUTION: Do not install the battery cartridge forcibly. If the cartridge does not slide in easily, it is not being inserted correctly.

Indicating the remaining battery capacity

Only for battery cartridges with the indicator

► Fig.2: 1. Indicator lamps 2. Check button

Press the check button on the battery cartridge to indicate the remaining battery capacity. The indicator lamps light up for a few seconds.

Indicator lamps			Remaining capacity
Lighted	Off	Blinking	
■	□	▧	75% to 100%
■ ■ ■ ■			
■ ■ ■ □			50% to 75%
■ ■ □ □			25% to 50%
■ □ □ □			0% to 25%
▧ □ □ □			Charge the battery.
■ ■ □ □			The battery may have malfunctioned.
□ □ ■ ■			

NOTE: Depending on the conditions of use and the ambient temperature, the indication may differ slightly from the actual capacity.

Tool / battery protection system

The tool is equipped with a tool/battery protection system. This system automatically cuts off power to the motor to extend tool and battery life. The tool will automatically stop during operation if the tool or battery is placed under one of the following conditions:

Overload protection

When the battery is operated in a manner that causes it to draw an abnormally high current, the tool automatically stops without any indication. In this situation, turn the tool off and stop the application that caused the tool to become overloaded. Then turn the tool on to restart.

Overheat protection

When the tool or battery is overheated, the tool stops automatically and the lamp blinks. In this case, let the tool and battery cool before turning the tool on again.

Overdischarge protection

When the battery capacity is not enough, the tool stops automatically. In this case, remove the battery from the tool and charge the battery.

Switch action

WARNING: Before installing the battery cartridge into the tool, always check to see that the switch trigger actuates properly and returns to the "OFF" position when released.

► Fig.3: 1. Switch trigger

To start the tool, simply pull the switch trigger. When you release the switch trigger, the tool stops and the returns to the initial position.

The tool may not in the initial position in the following cases. Return the tool to the initial position by pulling and releasing the switch trigger before operating the tool.

- When using the tool for the first time.
- After replacing the battery cartridge.
- When the tool stops because of the overload.
- After performing the maintenance.

Lighting up the front lamp

► Fig.4: 1. Lamp

CAUTION: Do not look in the light or see the source of light directly.

Pull the switch trigger to light up the lamp. The lamp keeps on lighting while the switch trigger is being pulled. The lamp goes out approximately 10 seconds after releasing the switch trigger.

NOTE: Use a dry cloth to wipe the dirt off the lens of the lamp. Be careful not to scratch the lens of lamp, or it may lower the illumination.

ASSEMBLY

CAUTION: Always be sure that the tool is switched off and the battery cartridge is removed before carrying out any work on the tool.

Installing or removing the head assembly

To remove the head assembly, follow the steps below.

1. Loosen the nut of the head, and then remove the head.

► **Fig.5:** 1. Nut 2. Head

2. Loosen the nose piece with a wrench while holding the head with another wrench.

► **Fig.6:** 1. Nose piece 2. Head

3. Loosen the jaw case with a wrench while holding the joint with another wrench.

► **Fig.7:** 1. Jaw case 2. Joint

4. Remove the jaw pusher, spring, and pipe.

► **Fig.8:** 1. Jaw pusher 2. Spring 3. Pipe

NOTICE: When installing the jaw pusher, be sure to attach the spring to the jaw pusher.

To install the head assembly, perform the removal procedure in reverse. Be sure to tighten the jaw case and nose piece with two wrenches firmly.

Hook

CAUTION: Always remove the battery when hanging the tool with the hook.

CAUTION: Never hook the tool at high location or on potentially unstable surface.

CAUTION: When hanging the tool with the hook, hang it carefully. Otherwise, the tool may drop and cause an injury.

► **Fig.9:** 1. Groove 2. Hook 3. Screw

The hook is convenient for temporarily hanging the tool. This can be installed on either side of the tool.

To install the hook, insert it into a groove in the tool housing on either side and then secure it with a screw. To remove, loosen the screw and then take it out.

Installing or removing the mandrel container

NOTICE: Be sure to install the mandrel container to the tool before operating the tool. If the mandrel container is not installed to the tool, the tool will not operate.

To remove the mandrel container, rotate it counter clockwise. To install the mandrel container, rotate it clockwise.

► **Fig.10:** 1. Mandrel container

OPERATION

CAUTION: Keep your hand or face away from the front part of the tool. The rivet or broken off mandrel may accidentally ejected, and you may be injured.

Installing a blind rivet

CAUTION: Before the mandrel container becomes full, empty it regularly by removing the mandrel container. Otherwise, the tool may be damaged, and the damaged parts may cause an injury.

CAUTION: When inserting a blind rivet into the nose piece, be sure to switch off the tool. Otherwise, you may be injured with the tool tip.

CAUTION: Do not leave a blind rivet in the nose piece. If the tool is switched on accidentally, the blind rivet is ejected and may cause an injury.

NOTICE: After installing a blind rivet, be sure to eject the broken off mandrel into the mandrel container by tilting the tool backward before installing next blind rivet. If the end of the broken off mandrel sticks out from the nose piece, switch off the tool and remove the mandrel. Otherwise, the broken off mandrels may become clogged and cause a malfunction of the tool.

1. Insert the blind rivet into the nose piece.

► **Fig.11:** 1. Blind rivet 2. Nose piece

2. Press the tool tip against the workpiece, and then pull the switch trigger. After the mandrel is broken off, release the switch trigger.

► **Fig.12**

Before the mandrel container becomes full, empty it regularly by removing the mandrel container.

Available blind rivets

NOTICE: Using nose piece, jaw, jaw pusher, or pipe that does not match the mandrel diameter may cause poor fastening, clogging of the mandrel, or malfunction of the tool.

Refer to the table below for the combination of rivet, nose piece, jaw, jaw pusher, and pipe.

NOTE: Some items in the table may be included in the tool package as standard accessories and some items in the table are provided as optional accessories. They may differ from country to country.

For DRV150

Rivet		Nose piece		Mark on jaw	Jaw pusher		Pipe	
Size	Diameter of mandrel	Mark on nose piece	Hole diameter		Hole diameter	Color	Hole diameter	Color
ø2.4 mm (3/32")	ø1.4 - 1.6 mm	2.4	ø1.9 mm	4.8	ø1.9 mm	Gray	ø2.2 mm	Silver
ø3.2 mm (1/8")	ø1.8 - 2.1 mm	3.2	ø2.4 mm	4.8	ø2.5 mm	Black	ø2.6 mm	Black
ø4.0 mm (5/32")	ø2.2 - 2.6 mm	4.0	ø3.0 mm	4.8	ø3.1 mm	Gray	None *	–
ø4.8 mm (3/16")	ø2.6 - 3.2 mm	4.8	ø3.6 mm	4.8	ø3.6 mm	Black	None *	–

*. Pipe is not necessary for operation.

For DRV250

Rivet		Nose piece		Mark on jaw	Jaw pusher		Pipe	
Size	Diameter of mandrel	Mark on nose piece	Hole diameter		Hole diameter	Color	Hole diameter	Color
ø2.4 mm (3/32")	ø1.4 - 1.6 mm	2.4	ø1.9 mm	4.8	ø1.9 mm	Gray	ø2.2 mm	Silver
ø3.2 mm (1/8")	ø1.8 - 2.1 mm	3.2	ø2.4 mm	4.8	ø2.5 mm	Black	ø2.6 mm	Black
ø4.0 mm (5/32")	ø2.2 - 2.6 mm	4.0	ø3.0 mm	4.8	ø3.1 mm	Gray	ø3.4 mm	Silver
ø4.8 mm (3/16")	ø2.6 - 3.2 mm	4.8	ø3.6 mm	4.8 or 6.4	ø3.6 mm	Black	ø4.1 mm	Black
ø6.0 mm (1/4") *	ø3.1 - 3.5 mm	6.0	ø4.0 mm	6.4	ø4.0 mm	Gray	ø4.1 mm	Black
ø6.4 mm (1/4") *	ø3.5 - 3.9 mm	6.4	ø4.4 mm	6.4	ø4.6 mm	Black	ø4.5 mm	Silver

*. Stainless steel rivet is not available.

MAINTENANCE

CAUTION: Always be sure that the tool is switched off and the battery cartridge is removed before attempting to perform inspection or maintenance.

NOTICE: Never use gasoline, benzine, thinner, alcohol or the like. Discoloration, deformation or cracks may result.

To maintain product SAFETY and RELIABILITY, repairs, any other maintenance or adjustment should be performed by Makita Authorized or Factory Service Centers, always using Makita replacement parts.

Cleaning the jaws and jaw case

Interval of cleaning: Every 3,000 installations of rivet
If the dust is accumulated, it deteriorates the movement of jaws and may accelerate wear of jaws and jaw case. To clean the jaws and jaw case, follow the steps below.

1. Remove the jaw case. For the removal procedure, refer to the removal instructions for the head assembly.
2. Remove the jaws from the jaw case.
► **Fig.13:** 1. Jaw case 2. Jaw
3. Clean the jaws and jaw case with a brush. Remove metal powder clogged between the teeth of the jaws.
4. Apply molybdenum disulfide based grease evenly to the inner periphery of the jaw case.
► **Fig.14:** 1. Area to apply grease 2. Jaw case

5. Install the jaws to the jaw case.

► **Fig.15:** 1. Jaw 2. Jaw case

NOTICE: When installing the jaws, be sure to align the tips of jaws.

6. Install the jaw case. If the grease is adhered to the tips of the jaws, wipe off the grease with a dry cloth.

► **Fig.16:** 1. Area where grease should not be adhered 2. Jaw

7. Install the head assembly.

8. Wipe off the grease from the jaws.

Insert a rivet into the nose piece, then move it up and down, and left and right, then remove it from the nose piece, and then wipe the grease from the rivet with a dry cloth. Repeat the same procedure twice or 3 times.

NOTICE: If the grease is adhered to the tip or inside of the jaw, the jaws may slip during operation.

Replacing the jaws in the jaw case

If the jaws in the jaw case are worn out, replace them with new ones. To replace the jaws, follow the same procedure for cleaning the jaws and jaw case. When installing jaws to the jaw case, install new jaws.

Removing jammed rivet

If the rivet is jammed inside the tool, remove it using a tool such as pin. If it is difficult to remove the jammed rivet, replace the jaw pusher or pipe with a new one. For replacement procedure, refer to the instruction for installing or removing the head assembly.

OPTIONAL ACCESSORIES

⚠ CAUTION: These accessories or attachments are recommended for use with your Makita tool specified in this manual. The use of any other accessories or attachments might present a risk of injury to persons. Only use accessory or attachment for its stated purpose.

If you need any assistance for more details regarding these accessories, ask your local Makita Service Center.

- Nose piece
- Jaw pusher
- Jaw
- Pipe
- Grease
- Makita genuine battery and charger

NOTE: Some items in the list may be included in the tool package as standard accessories. They may differ from country to country.

SPÉCIFICATIONS

Modèle :	DRV150	DRV250
Force de traction	10 kN	20 kN
Course	25 mm	30 mm
Longueur totale	313 mm	323 mm
Tension nominale	18 VCC	
Poids net	1,9 - 2,2 kg	2,1 - 2,4 kg

- Étant donné l'évolution constante de notre programme de recherche et de développement, les spécifications contenues dans ce manuel sont sujettes à modification sans préavis.
- Les spécifications peuvent varier suivant les pays.
- Le poids peut être différent selon les accessoires, notamment la batterie. Les associations la plus légère et la plus lourde, conformément à la procédure EPTA 01/2014, sont indiquées dans le tableau.

Batterie et chargeur applicables

Batterie	BL1815N / BL1820 / BL1820B / BL1830 / BL1830B / BL1840 / BL1840B / BL1850 / BL1850B / BL1860B
Chargeur	DC18RC / DC18RD / DC18RE / DC18SD / DC18SE / DC18SF / DC18SH

- Certains chargeurs et batteries répertoriés ci-dessus peuvent ne pas être disponibles selon la région où vous résidez.

⚠ AVERTISSEMENT : N'utilisez que les batteries et les chargeurs répertoriés ci-dessus. L'utilisation d'autres batteries et chargeurs peut provoquer des blessures et/ou un incendie.

Utilisation prévue

L'outil est conçu pour la pose de rivet aveugle.

Bruit

Niveau de bruit pondéré A typique, déterminé selon EN62841-1 :

Modèle DRV150

Niveau de pression sonore (L_{pA}) : 75 dB (A)

Incertitude (K) : 3 dB (A)

Modèle DRV250

Niveau de pression sonore (L_{pA}) : 74 dB (A)

Incertitude (K) : 3 dB (A)

Le niveau de bruit en fonctionnement peut dépasser 80 dB (A).

NOTE : La ou les valeurs d'émission de bruit déclarées ont été mesurées conformément à la méthode de test standard et peuvent être utilisées pour comparer les outils entre eux.

NOTE : La ou les valeurs d'émission de bruit déclarées peuvent aussi être utilisées pour l'évaluation préliminaire de l'exposition.

⚠ AVERTISSEMENT : Portez un serre-tête antibruit.

⚠ AVERTISSEMENT : L'émission de bruit lors de l'usage réel de l'outil électrique peut être différente de la ou des valeurs déclarées, suivant la façon dont l'outil est utilisé, particulièrement selon le type de pièce usinée.

⚠ AVERTISSEMENT : Les mesures de sécurité à prendre pour protéger l'utilisateur doivent être basées sur une estimation de l'exposition dans des conditions réelles d'utilisation (en tenant compte de toutes les composantes du cycle d'utilisation, comme par exemple le moment de sa mise hors tension, lorsqu'il tourne à vide et le moment de son déclenchement).

Vibrations

Valeur totale de vibrations (somme de vecteur triaxial) déterminée selon EN62841-1 :

Modèle DRV150

Mode de travail : Pose de rivet aveugle

Émission de vibrations (a_h) : 2,5 m/s² ou moins

Incertitude (K) : 1,5 m/s²

Modèle DRV250

Mode de travail : Pose de rivet aveugle

Émission de vibrations (a_h) : 2,5 m/s² ou moins

Incertitude (K) : 1,5 m/s²

NOTE : La ou les valeurs de vibration totales déclarées ont été mesurées conformément à la méthode de test standard et peuvent être utilisées pour comparer les outils entre eux.

NOTE : La ou les valeurs de vibration totales déclarées peuvent aussi être utilisées pour l'évaluation préliminaire de l'exposition.

⚠ AVERTISSEMENT : L'émission de vibrations lors de l'usage réel de l'outil électrique peut être différente de la ou des valeurs déclarées, suivant la façon dont l'outil est utilisé, particulièrement selon le type de pièce usinée.

⚠ AVERTISSEMENT : Les mesures de sécurité à prendre pour protéger l'utilisateur doivent être basées sur une estimation de l'exposition dans des conditions réelles d'utilisation (en tenant compte de toutes les composantes du cycle d'utilisation, comme par exemple le moment de sa mise hors tension, lorsqu'il tourne à vide et le moment de son déclenchement).

Déclaration de conformité CE

Pour les pays européens uniquement

La déclaration de conformité CE est fournie en Annexe A à ce mode d'emploi.

CONSIGNES DE SÉCURITÉ

Consignes de sécurité générales pour outils électriques

⚠ AVERTISSEMENT : Veuillez lire les consignes de sécurité, instructions, illustrations et spécifications qui accompagnent cet outil électrique. Le non-respect de toutes les instructions indiquées ci-dessous peut entraîner une électrocution, un incendie et/ou de graves blessures.

Conservez toutes les mises en garde et instructions pour référence ultérieure.

Le terme « outil électrique » dans les avertissements fait référence à l'outil électrique alimenté par le secteur (avec cordon d'alimentation) ou à l'outil électrique fonctionnant sur batterie (sans cordon d'alimentation).

Consignes de sécurité pour riveteuse à batterie

1. **Tenez l'outil fermement.**
2. **Gardez vos mains à l'écart des pièces en mouvement.**
3. **Assurez-vous toujours d'avoir une bonne assise. Veillez à ce que personne ne se trouve en dessous de vous quand vous utilisez l'outil en hauteur.**
4. **Prenez garde de ne pas lâcher le mandrin cassé de haut.** Cela pourrait provoquer un accident ou des blessures.
5. **N'éparpillez pas un mandrin cassé au sol.** Vous pourriez vous blesser avec l'extrémité tranchante du mandrin cassé ou en glissant sur le mandrin.
6. **Ne pointez pas l'outil sur une personne ou vous-même pendant son fonctionnement.** Le rivet ou le mandrin cassé pourrait être éjecté accidentellement et vous blesser.

Consignes de sécurité importantes pour la batterie

1. **Avant d'utiliser la batterie, lisez toutes les instructions et précautions relatives (1) au chargeur de batterie, (2) à la batterie, et (3) au produit utilisant la batterie.**
2. **Ne démontez pas la batterie.**
3. **Cessez immédiatement l'utilisation si le temps de fonctionnement devient excessivement court.** Il y a risque de surchauffe, de brûlures, voire d'explosion.
4. **Si l'électrolyte pénètre dans vos yeux, rincez-les à l'eau claire et consultez immédiatement un médecin.** Il y a risque de perte de la vue.
5. **Ne court-circuitez pas la batterie :**
 - (1) **Ne touchez les bornes avec aucun matériau conducteur.**
 - (2) **Évitez de ranger la batterie dans un conteneur avec d'autres objets métalliques, par exemple des clous, des pièces de monnaie, etc.**
 - (3) **N'exposez pas la batterie à l'eau ou à la pluie.**Un court-circuit de la batterie peut provoquer une intensité de courant élevée, une surchauffe, parfois des brûlures et même une panne.
6. **Ne rangez pas l'outil et la batterie dans un endroit où la température risque d'atteindre ou de dépasser 50 °C.**
7. **Ne jetez pas la batterie au feu même si elle est sérieusement endommagée ou complètement épuisée.** La batterie peut exploser au contact du feu.
8. **Évitez de laisser tomber ou de cogner la batterie.**
9. **N'utilisez pas la batterie si elle est endommagée.**

10. **Les batteries au lithium-ion contenues sont soumises aux exigences de la législation sur les marchandises dangereuses.**
Lors du transport commercial par des tierces parties ou des transitaires par exemple, des exigences spécifiques en matière d'étiquetage et d'emballage doivent être respectées.
Pour la préparation de l'article expédié, il est nécessaire de consulter un expert en matériau dangereux. Veuillez également respecter les réglementations nationales susceptibles d'être plus détaillées.
Recouvrez les contacts exposés avec du ruban adhésif ou du ruban de masquage et emballez la batterie de telle sorte qu'elle ne puisse pas bouger dans l'emballage.
11. **Lors de la mise au rebut de la batterie, retirez-la de l'outil et jetez-la en lieu sûr. Suivez les réglementations locales en matière de mise au rebut des batteries.**
12. **Utilisez les batteries uniquement avec les produits spécifiés par Makita.** L'insertion de batteries dans des produits non conformes peut provoquer un incendie, une chaleur excessive, une explosion ou une fuite de l'électrolyte.
13. **Lorsque vous n'utilisez pas l'outil pendant une période prolongée, la batterie doit être retirée de l'outil.**

CONSERVEZ CES INSTRUCTIONS.

⚠ATTENTION : N'utilisez que des batteries Makita d'origine. L'utilisation de batteries de marque autre que Makita ou de batteries modifiées peut provoquer l'explosion des batteries, ce qui présente un risque d'incendie, de dommages matériels et corporels. Cela annulera également la garantie Makita pour l'outil et le chargeur Makita.

Conseils pour assurer la durée de vie optimale de la batterie

1. **Chargez la batterie avant qu'elle ne soit complètement déchargée. Arrêtez toujours l'outil et rechargez la batterie quand vous remarquez que la puissance de l'outil diminue.**
2. **Ne rechargez jamais une batterie complètement chargée. La surcharge réduit la durée de service de la batterie.**
3. **Chargez la batterie à une température ambiante comprise entre 10 °C et 40 °C. Avant de charger une batterie chaude, laissez-la refroidir.**
4. **Rechargez la batterie si elle est restée inutilisée pendant une période prolongée (plus de six mois).**

DESCRIPTION DU FONCTIONNEMENT

⚠ATTENTION : Assurez-vous toujours que l'outil est hors tension et que sa batterie est retirée avant de l'ajuster ou de vérifier son fonctionnement.

Insertion ou retrait de la batterie

⚠ATTENTION : Éteignez toujours l'outil avant de mettre en place ou de retirer la batterie.

⚠ATTENTION : Tenez fermement l'outil et la batterie lors de la mise en place ou du retrait de la batterie. Si vous ne tenez pas fermement l'outil et la batterie, ils peuvent vous glisser des mains, et s'abîmer ou vous blesser.

► Fig.1: 1. Voyant rouge 2. Bouton 3. Batterie

Pour retirer la batterie, faites-la glisser hors de l'outil tout en faisant glisser le bouton à l'avant de la batterie.
Pour mettre en place la batterie, alignez la languette sur la batterie avec la rainure sur le compartiment et insérez-la. Insérez-la à fond jusqu'à ce qu'un léger dé clic se fasse entendre. Si le voyant rouge sur le dessus du bouton est visible, cela signifie qu'elle n'est pas bien verrouillée.

⚠ATTENTION : Insérez toujours complètement la batterie jusqu'à ce que le voyant rouge ne soit plus visible. Sinon, elle pourrait tomber accidentellement de l'outil, au risque de vous blesser ou de blesser quelqu'un se trouvant près de vous.

⚠ATTENTION : N'insérez pas la batterie de force. Si elle ne glisse pas facilement, c'est que vous ne l'insérez pas correctement.

Indication de la charge restante de la batterie

Uniquement pour les batteries avec voyant lumineux

► Fig.2: 1. Témoins 2. Bouton de vérification

Appuyez sur le bouton de vérification sur la batterie pour indiquer la charge restante de la batterie. Les témoins s'allument pendant quelques secondes.

Témoins			Charge restante
Allumé	Éteint	Clignotant	
■	□	◐	75 % à 100 %
■	■	□	50 % à 75 %
■	■	□	25 % à 50 %
■	□	□	0 % à 25 %
◐	□	□	Chargez la batterie.
■	■	□	Anomalie possible de la batterie.
□	□	■	

NOTE : Selon les conditions d'utilisation et la température ambiante, l'indication peut être légèrement différente de la capacité réelle.

Système de protection de l'outil/la batterie

L'outil est équipé d'un système de protection de l'outil/la batterie. Ce système coupe automatiquement l'alimentation vers le moteur pour prolonger la durée de vie de l'outil et de la batterie. Si l'outil ou la batterie se trouve dans l'une des situations suivantes, l'outil cessera automatiquement de fonctionner.

Protection contre la surcharge

Lorsque la batterie est utilisée d'une manière provoquant un appel de courant anormalement élevé, l'outil s'arrête automatiquement sans indication. Dans ce cas, éteignez l'outil et arrêtez la tâche ayant provoqué la surcharge de l'outil. Puis rallumez l'outil pour reprendre la tâche.

Protection contre la surchauffe

En cas de surchauffe de l'outil ou de la batterie, l'outil s'arrête automatiquement et la lampe clignote. Dans ce cas, laissez l'outil et la batterie refroidir avant de rallumer l'outil.

Protection contre la décharge totale de la batterie

Lorsque la charge de la batterie est insuffisante, l'outil s'arrête automatiquement. Dans ce cas, retirez la batterie de l'outil et chargez-la.

Fonctionnement de la gâchette

⚠ AVERTISSEMENT : Avant d'insérer la batterie dans l'outil, vérifiez toujours que la gâchette fonctionne bien et revient en position d'arrêt lorsque vous la relâchez.

► Fig.3: 1. Gâchette

Il suffit d'enclencher la gâchette pour démarrer l'outil. Lorsque vous relâchez la gâchette, l'outil s'arrête et revient à la position initiale.

L'outil pourrait ne pas revenir à la position initiale dans les cas suivants. Ramenez l'outil à la position initiale en enclenchant et relâchant la gâchette avant de l'utiliser.

- Lorsque vous utilisez l'outil pour la première fois.
- Après avoir remplacé la batterie.
- Lorsque l'outil s'arrête en raison d'une surcharge.
- Après avoir effectué la maintenance.

Allumage de la lampe avant

► Fig.4: 1. Lampe

⚠ ATTENTION : Évitez de regarder directement le faisceau lumineux ou sa source.

Enclenchez la gâchette pour allumer la lampe. La lampe reste allumée tant que la gâchette est enclenchée. La lampe s'éteint environ 10 secondes après avoir relâché la gâchette.

NOTE : Retirez la saleté sur la lentille de la lampe avec un chiffon sec. Prenez soin de ne pas érafler la lentille de la lampe sous peine de diminuer son éclairage.

ASSEMBLAGE

⚠ ATTENTION : Assurez-vous toujours que l'outil est hors tension et que sa batterie est retirée avant d'effectuer toute tâche dessus.

Pose ou dépose de l'ensemble de la tête

Procédez comme il est indiqué ci-dessous pour retirer l'ensemble de la tête.

1. Desserrez l'écrou de la tête, puis déposez celle-ci.
► Fig.5: 1. Écrou 2. Tête

2. Desserrez le nez de pose avec une clé tout en tenant la tête avec une autre clé.

► Fig.6: 1. Nez de pose 2. Tête

3. Desserrez le boîtier de mâchoires avec une clé tout en tenant le joint avec une autre clé.

► Fig.7: 1. Boîtier de mâchoires 2. Joint

4. Retirez le poussoir, le ressort et le tuyau.

► Fig.8: 1. Poussoir 2. Ressort 3. Tuyau

REMARQUE : Lorsque vous installez le poussoir, veillez à fixer le ressort dessus.

Pour installer l'ensemble de la tête, suivez la procédure de dépose en sens inverse. Veillez à serrer fermement le boîtier de mâchoires et le nez de pose avec deux clés.

Crochet

⚠ ATTENTION : Retirez toujours la batterie lorsque l'outil est suspendu par son crochet.

⚠ ATTENTION : N'accrochez jamais l'outil en hauteur ou sur un endroit potentiellement instable.

⚠ ATTENTION : Lorsque vous accrochez l'outil avec le crochet, accrochez-le soigneusement. Autrement, l'outil pourrait tomber et provoquer des blessures.

► Fig.9: 1. Rainure 2. Crochet 3. Vis

Le crochet est pratique pour suspendre provisoirement l'outil. Il s'installe d'un côté comme de l'autre de l'outil. Pour installer le crochet, insérez-le dans une rainure du carter de l'outil sur l'un des deux côtés, puis fixez-le avec une vis. Pour le retirer, desserrez la vis et enlevez-le.

Installation ou retrait du bol de récupération de mandrins

REMARQUE : Veillez à installer le bol de récupération de mandrins sur l'outil avant de l'utiliser. Si le bol de récupération de mandrins n'est pas installé sur l'outil, celui-ci ne fonctionnera pas.

Pour retirer le bol de récupération de mandrins, tournez-le dans le sens inverse des aiguilles d'une montre. Pour installer le bol de récupération de mandrins, tournez-le dans le sens des aiguilles d'une montre.

► **Fig.10:** 1. Bol de récupération de mandrins

UTILISATION

ATTENTION : Tenez votre main ou votre visage à l'écart de la partie avant de l'outil. Le rivet ou le mandrin cassé pourrait être éjecté accidentellement et vous blesser.

Pose d'un rivet aveugle

ATTENTION : Avant que le bol de récupération de mandrins soit plein, videz-le régulièrement en le retirant. Autrement, l'outil pourrait être endommagé, et les pièces endommagées pourraient provoquer des blessures.

ATTENTION : Lorsque vous insérez un rivet aveugle dans le nez de pose, veillez à éteindre l'outil. Autrement, la pointe de l'outil risquerait de vous blesser.

ATTENTION : Ne laissez pas de rivet aveugle dans le nez de pose. Si l'outil est accidentellement allumé, le rivet aveugle sera éjecté et pourrait vous blesser.

REMARQUE : Après avoir installé un rivet aveugle, veillez à éjecter le mandrin cassé dans le bol de récupération de mandrins en inclinant l'outil vers l'arrière avant d'installer le rivet aveugle suivant. Si l'extrémité du mandrin cassé dépasse du nez de pose, éteignez l'outil et retirez le mandrin. Autrement, les mandrins cassés pourraient être obstrués et provoquer un dysfonctionnement de l'outil.

1. Insérez le rivet aveugle dans le nez de pose.

► **Fig.11:** 1. Rivet aveugle 2. Nez de pose

2. Appuyez la pointe de l'outil contre la pièce, puis enclenchez la gâchette. Lorsque le mandrin est cassé, relâchez la gâchette.

► **Fig.12**

Avant que le bol de récupération de mandrins soit plein, videz-le régulièrement en le retirant.

Rivets aveugles disponibles

REMARQUE : L'utilisation d'un nez de pose, d'une mâchoire, d'un poussoir ou d'un tuyau ne correspondant pas au diamètre du mandrin peut entraîner un serrage médiocre, l'obstruction du mandrin ou le dysfonctionnement de l'outil.

Consultez le tableau ci-dessous pour la bonne combinaison de rivet, nez de pose, mâchoire, poussoir et tuyau.

NOTE : Il se peut que certains éléments du tableau soient compris dans l'emballage de l'outil en tant qu'accessoires standard et que d'autres soient fournis en tant qu'accessoires en option. Ils peuvent varier d'un pays à l'autre.

Pour le DRV150

Rivet		Nez de pose		Repère sur la mâchoire	Poussoir		Tuyau	
Taille	Diamètre du mandrin	Repère sur le nez de pose	Diamètre d'orifice		Diamètre d'orifice	Couleur	Diamètre d'orifice	Couleur
ø2,4 mm (3/32")	ø1,4 - 1,6 mm	2.4	ø1,9 mm	4.8	ø1,9 mm	Gris	ø2,2 mm	Argent
ø3,2 mm (1/8")	ø1,8 - 2,1 mm	3.2	ø2,4 mm	4.8	ø2,5 mm	Noir	ø2,6 mm	Noir
ø4,0 mm (5/32")	ø2,2 - 2,6 mm	4.0	ø3,0 mm	4.8	ø3,1 mm	Gris	Aucun *	-
ø4,8 mm (3/16")	ø2,6 - 3,2 mm	4.8	ø3,6 mm	4.8	ø3,6 mm	Noir	Aucun *	-

*. Le tuyau n'est pas nécessaire au fonctionnement.

Rivet		Nez de pose		Repère sur la mâchoire	Poussoir		Tuyau	
Taille	Diamètre du mandrin	Repère sur le nez de pose	Diamètre d'orifice		Diamètre d'orifice	Couleur	Diamètre d'orifice	Couleur
ø2,4 mm (3/32")	ø1,4 - 1,6 mm	2.4	ø1,9 mm	4.8	ø1,9 mm	Gris	ø2,2 mm	Argent
ø3,2 mm (1/8")	ø1,8 - 2,1 mm	3.2	ø2,4 mm	4.8	ø2,5 mm	Noir	ø2,6 mm	Noir
ø4,0 mm (5/32")	ø2,2 - 2,6 mm	4.0	ø3,0 mm	4.8	ø3,1 mm	Gris	ø3,4 mm	Argent
ø4,8 mm (3/16")	ø2,6 - 3,2 mm	4.8	ø3,6 mm	4.8 ou 6.4	ø3,6 mm	Noir	ø4,1 mm	Noir
ø6,0 mm (1/4") *	ø3,1 - 3,5 mm	6.0	ø4,0 mm	6.4	ø4,0 mm	Gris	ø4,1 mm	Noir
ø6,4 mm (1/4") *	ø3,5 - 3,9 mm	6.4	ø4,4 mm	6.4	ø4,6 mm	Noir	ø4,5 mm	Argent

*. Le rivet en acier inoxydable n'est pas disponible.

ENTRETIEN

ATTENTION : Assurez-vous toujours que l'outil est hors tension et que la batterie est retirée avant d'y effectuer tout travail d'inspection ou d'entretien.

REMARQUE : N'utilisez jamais d'essence, benzine, diluant, alcool ou autre produit similaire. Cela risquerait de provoquer la décoloration, la déformation ou la fissuration de l'outil.

Pour assurer la SÉCURITÉ et la FIABILITÉ du produit, toute réparation, tout travail d'entretien ou de réglage doivent être effectués par un centre d'entretien Makita agréé, avec des pièces de rechange Makita.

Nettoyage des mâchoires et du boîtier de mâchoires

Intervalle de nettoyage : toutes les 3 000 installations de rivets

L'accumulation de poussière détériore le mouvement des mâchoires et peut accélérer l'usure des mâchoires et du boîtier de mâchoires. Pour nettoyer les mâchoires et le boîtier de mâchoires, procédez comme indiqué ci-dessous.

- Retirez le boîtier de mâchoires. Pour la procédure de retrait, consultez les instructions de retrait pour l'ensemble de la tête.
- Retirez les mâchoires du boîtier de mâchoires.
► **Fig.13**: 1. Boîtier de mâchoires 2. Mâchoire
- Nettoyez les mâchoires et le boîtier de mâchoires avec une brosse. Retirez la poudre métallique coincée entre les dents des mâchoires.
- Appliquez de manière uniforme de la graisse à base de disulfure de molybdène sur la périphérie interne du boîtier de mâchoires.
► **Fig.14**: 1. Endroit où appliquer la graisse 2. Boîtier de mâchoires

- Installez les mâchoires sur le boîtier de mâchoires.

► **Fig.15**: 1. Mâchoire 2. Boîtier de mâchoires

REMARQUE : Lorsque vous installez les mâchoires, veillez à aligner les pointes des mâchoires.

- Installez le boîtier de mâchoires. Si la graisse colle sur les pointes des mâchoires, essuyez-la avec un chiffon sec.

► **Fig.16**: 1. Endroit où la graisse ne doit pas coller 2. Mâchoire

- Installez l'ensemble de la tête.
- Essuyez la graisse des mâchoires.

Insérez un rivet dans le nez de pose, déplacez-le de haut en bas, et de gauche et droite, retirez-le du nez de pose, puis essuyez la graisse du rivet avec un chiffon sec. Répétez deux ou trois fois la même procédure.

REMARQUE : Si la graisse colle sur les pointes ou à l'intérieur des mâchoires, les mâchoires peuvent glisser pendant le fonctionnement.

Remplacement des mâchoires dans le boîtier de mâchoires

En cas d'usure des mâchoires dans le boîtier de mâchoires, remplacez-les par des neuves. Pour remplacer les mâchoires, suivez la même procédure que pour le nettoyage des mâchoires et du boîtier de mâchoires. Lorsque vous installez les mâchoires sur le boîtier de mâchoires, installez des mâchoires neuves.

Retrait d'un rivet coincé

Si le rivet se coince dans l'outil, retirez-le au moyen d'un outil, comme une épingle. Si vous rencontrez des difficultés pour retirer le rivet coincé, remplacez le poussoir ou le tuyau par un neuf. Pour la procédure de remplacement, consultez les instructions de pose ou dépose de l'ensemble de la tête.

ACCESSOIRES EN OPTION

⚠ ATTENTION : Ces accessoires ou pièces complémentaires sont recommandés pour l'utilisation avec l'outil Makita spécifié dans ce mode d'emploi. L'utilisation de tout autre accessoire ou pièce complémentaire peut comporter un risque de blessure. N'utilisez les accessoires ou pièces complémentaires qu'aux fins auxquelles ils ont été conçus.

Pour obtenir plus de détails sur ces accessoires, contactez votre centre d'entretien local Makita.

- Nez de pose
- Poussoir
- Mâchoire
- Tuyau
- Graisse
- Batterie et chargeur de marque Makita

NOTE : Il se peut que certains éléments de la liste soient compris dans l'emballage de l'outil en tant qu'accessoires standard. Ils peuvent varier d'un pays à l'autre.

TECHNISCHE DATEN

Modell:	DRV150	DRV250
Zugkraft	10 kN	20 kN
Hub	25 mm	30 mm
Gesamtlänge	313 mm	323 mm
Nennspannung	18 V Gleichstrom	
Nettogewicht	1,9 - 2,2 kg	2,1 - 2,4 kg

- Wir behalten uns vor, Änderungen der technischen Daten im Zuge der Entwicklung und des technischen Fortschritts ohne vorherige Ankündigung vorzunehmen.
- Die technischen Daten können von Land zu Land unterschiedlich sein.
- Das Gewicht kann abhängig von dem Aufsatz (den Aufsätzen), einschließlich des Akkus, unterschiedlich sein. Die leichteste und die schwerste Kombination, gemäß dem EPTA-Verfahren 01/2014, sind in der Tabelle angegeben.

Zutreffende Akkus und Ladegeräte

Akku	BL1815N / BL1820 / BL1820B / BL1830 / BL1830B / BL1840 / BL1840B / BL1850 / BL1850B / BL1860B
Ladegerät	DC18RC / DC18RD / DC18RE / DC18SD / DC18SE / DC18SF / DC18SH

- Einige der oben aufgelisteten Akkus und Ladegeräte sind je nach Ihrem Wohngebiet eventuell nicht erhältlich.

⚠️ WARNUNG: Verwenden Sie nur die oben aufgeführten Akkus und Ladegeräte. Bei Verwendung irgendwelcher anderer Akkus und Ladegeräte besteht Verletzungs- und/oder Brandgefahr.

Vorgesehene Verwendung

Das Werkzeug ist zum Montieren von Blindnieten vorgesehen.

Geräusch

Typischer A-bewerteter Geräuschpegel ermittelt gemäß EN62841-1:

Modell DRV150

Schalldruckpegel (L_{pA}): 75 dB (A)
Messunsicherheit (K): 3 dB (A)

Modell DRV250

Schalldruckpegel (L_{pA}): 74 dB (A)
Messunsicherheit (K): 3 dB (A)

Der Geräuschpegel kann während des Betriebs 80 dB (A) überschreiten.

HINWEIS: Der (Die) angegebene(n)

Schallemissionswert(e) wurde(n) im Einklang mit der Standardprüfmethode gemessen und kann (können) für den Vergleich zwischen Werkzeugen herangezogen werden.

HINWEIS: Der (Die) angegebene(n)

Schallemissionswert(e) kann (können) auch für eine Vorbewertung des Gefährdungsgrads verwendet werden.

⚠️ WARNUNG: Einen Gehörschutz tragen.

⚠️ WARNUNG: Die Schallemission während der tatsächlichen Benutzung des Elektrowerkzeugs kann je nach der Benutzungsweise des Werkzeugs, und speziell je nach der Art des bearbeiteten Werkstücks, von dem (den) angegebenen Wert(en) abweichen.

⚠️ WARNUNG: Identifizieren Sie Sicherheitsmaßnahmen zum Schutz des Benutzers anhand einer Schätzung des Gefährdungsgrads unter den tatsächlichen Benutzungsbedingungen (unter Berücksichtigung aller Phasen des Arbeitszyklus, wie z. B. Ausschalt- und Leerlaufzeiten des Werkzeugs zusätzlich zur Betriebszeit).

Schwingungen

Schwingungsgesamtwert (Drei-Achsen-Vektorsumme) ermittelt gemäß EN62841-1:

Modell DRV150

Arbeitsmodus: Montieren von Blindnieten
Schwingungsemission (a_h): 2,5 m/s² oder weniger
Messunsicherheit (K): 1,5 m/s²

Modell DRV250

Arbeitsmodus: Montieren von Blindnieten
Schwingungsemission (a_h): 2,5 m/s² oder weniger
Messunsicherheit (K): 1,5 m/s²

HINWEIS: Der (Die) angegebene(n) Vibrationsgesamtwert(e) wurde(n) im Einklang mit der Standardprüfmethode gemessen und kann (können) für den Vergleich zwischen Werkzeugen herangezogen werden.

HINWEIS: Der (Die) angegebene(n) Vibrationsgesamtwert(e) kann (können) auch für eine Vorbewertung des Gefährdungsgrads verwendet werden.

⚠️ WARNUNG: Die Vibrationsemission während der tatsächlichen Benutzung des Elektrowerkzeugs kann je nach der Benutzungsweise des Werkzeugs, und speziell je nach der Art des bearbeiteten Werkstücks, von dem (den) angegebenen Emissionswert(en) abweichen.

⚠️ WARNUNG: Identifizieren Sie Sicherheitsmaßnahmen zum Schutz des Benutzers anhand einer Schätzung des Gefährdungsgrads unter den tatsächlichen Benutzungsbedingungen (unter Berücksichtigung aller Phasen des Arbeitszyklus, wie z. B. Ausschalt- und Leerlaufzeiten des Werkzeugs zusätzlich zur Betriebszeit).

EG-Konformitätserklärung

Nur für europäische Länder

Die EG-Konformitätserklärung ist als Anhang A in dieser Bedienungsanleitung enthalten.

SICHERHEITSWARNUNGEN

Allgemeine Sicherheitswarnungen für Elektrowerkzeuge

⚠️ WARNUNG: Lesen Sie alle mit diesem Elektrowerkzeug gelieferten Sicherheitswarnungen, Anweisungen, Abbildungen und technischen Daten durch. Eine Missachtung der unten aufgeführten Anweisungen kann zu einem elektrischen Schlag, Brand und/oder schweren Verletzungen führen.

Bewahren Sie alle Warnungen und Anweisungen für spätere Bezugnahme auf.

Der Ausdruck „Elektrowerkzeug“ in den Warnhinweisen bezieht sich auf Ihr mit Netzstrom (mit Kabel) oder Akku (ohne Kabel) betriebenes Elektrowerkzeug.

Sicherheitswarnungen für Akku-Blindniet-Setzgerät

1. **Halten Sie das Werkzeug mit festem Griff.**
2. **Halten Sie Ihre Hände von beweglichen Teilen fern.**
3. **Achten Sie stets auf sicheren Stand. Vergewissern Sie sich bei Einsatz des Werkzeugs an hochgelegenen Arbeitsplätzen, dass sich keine Personen darunter aufhalten.**
4. **Achten Sie darauf, dass der abgebrochene Dorn nicht von hohen Stellen herunterfällt.** Anderenfalls kann ein Unfall oder eine Verletzung verursacht werden.
5. **Verstreuen Sie die abgebrochenen Dorne nicht auf dem Boden.** Sie könnten sonst durch das spitze Ende des abgebrochenen Dorns oder durch Ausrutschen auf dem Dorn verletzt werden.
6. **Richten Sie das Werkzeug beim Betrieb nicht auf eine Person oder sich selbst.** Der Niet oder der abgebrochene Dorn könnte versehentlich ausgeworfen werden, so dass Sie verletzt werden könnten.

Wichtige Sicherheitsanweisungen für Akku

1. **Lesen Sie vor der Benutzung des Akkus alle Anweisungen und Warnhinweise, die an (1) Ladegerät, (2) Akku und (3) Akkuwerkzeug angebracht sind.**
2. **Unterlassen Sie ein Zerlegen des Akkus.**
3. **Falls die Betriebszeit beträchtlich kürzer geworden ist, stellen Sie den Betrieb sofort ein.** Anderenfalls besteht die Gefahr von Überhitzung, möglichen Verbrennungen und sogar einer Explosion.
4. **Falls Elektrolyt in Ihre Augen gelangt, waschen Sie sie mit sauberem Wasser aus, und begeben Sie sich unverzüglich in ärztliche Behandlung.** Anderenfalls können Sie Ihre Sehkraft verlieren.
5. **Der Akku darf nicht kurzgeschlossen werden:**
 - (1) **Die Kontakte dürfen nicht mit leitfähigem Material berührt werden.**
 - (2) **Lagern Sie den Akku nicht in einem Behälter zusammen mit anderen Metallgegenständen, wie z. B. Nägel, Münzen usw.**
 - (3) **Setzen Sie den Akku weder Wasser noch Regen aus.****Ein Kurzschluss des Akkus verursacht starken Stromfluss, der Überhitzung, mögliche Verbrennungen und einen Defekt zur Folge haben kann.**
6. **Lagern Sie das Werkzeug und den Akku nicht an Orten, an denen die Temperatur 50 °C erreichen oder überschreiten kann.**
7. **Versuchen Sie niemals, den Akku zu verbrennen, selbst wenn er stark beschädigt oder vollkommen verbraucht ist.** Der Akku kann im Feuer explodieren.

8. **Achten Sie darauf, dass der Akku nicht fallen gelassen oder Stößen ausgesetzt wird.**
9. **Benutzen Sie keine beschädigten Akkus.**
10. **Die enthaltenen Lithium-Ionen-Akkus unterliegen den Anforderungen der Gefahrgut-Gesetzgebung.**
Für kommerzielle Transporte, z. B. durch Dritte oder Spediteure, müssen besondere Anforderungen zu Verpackung und Etikettierung beachtet werden.
Zur Vorbereitung des zu transportierenden Artikels ist eine Beratung durch einen Experten für Gefahrgut erforderlich. Bitte beachten Sie möglicherweise ausführlichere nationale Vorschriften. Überkleben oder verdecken Sie offene Kontakte, und verpacken Sie den Akku so, dass er sich in der Verpackung nicht umher bewegen kann.
11. **Entfernen Sie den Akku zum Entsorgen vom Werkzeug, und entsorgen Sie ihn an einem sicheren Ort. Befolgen Sie die örtlichen Vorschriften bezüglich der Entsorgung von Akkus.**
12. **Verwenden Sie die Akkus nur mit den von Makita angegebenen Produkten.** Das Einsetzen der Akkus in nicht konforme Produkte kann zu einem Brand, übermäßiger Hitzebildung, einer Explosion oder Auslaufen von Elektrolyt führen.
13. **Soll das Werkzeug längere Zeit nicht benutzt werden, muss der Akku vom Werkzeug entfernt werden.**

DIESE ANWEISUNGEN AUFBEWAHREN.

⚠ VORSICHT: Verwenden Sie nur Original-Makita-Akkus. Die Verwendung von Nicht-Original-Makita-Akkus oder von Akkus, die abgeändert worden sind, kann zum Bersten des Akkus und daraus resultierenden Bränden, Personenschäden und Beschädigung führen. Außerdem wird dadurch die Makita-Garantie für das Makita-Werkzeug und -Ladegerät ungültig.

Hinweise zur Aufrechterhaltung der maximalen Akku-Nutzungsdauer

1. **Laden Sie den Akku, bevor er vollkommen erschöpft ist. Schalten Sie das Werkzeug stets aus, und laden Sie den Akku, wenn Sie ein Nachlassen der Werkzeugleistung feststellen.**
2. **Unterlassen Sie erneutes Laden eines voll aufgeladenen Akkus. Überladen führt zu einer Verkürzung der Nutzungsdauer des Akkus.**
3. **Laden Sie den Akku bei Raumtemperatur zwischen 10 – 40 °C. Lassen Sie einen heißen Akku abkühlen, bevor Sie ihn laden.**
4. **Der Akku muss geladen werden, wenn er lange Zeit (länger als sechs Monate) nicht benutzt wird.**

FUNKTIONSBESCHREIBUNG

⚠ VORSICHT: Vergewissern Sie sich vor der Durchführung von Einstellungen oder Funktionsprüfungen des Werkzeugs stets, dass das Werkzeug ausgeschaltet und der Akku abgenommen ist.

Anbringen und Abnehmen des Akkus

⚠ VORSICHT: Schalten Sie das Werkzeug stets aus, bevor Sie den Akku anbringen oder abnehmen.

⚠ VORSICHT: Halten Sie das Werkzeug und den Akku beim Anbringen oder Abnehmen des Akkus sicher fest. Wenn Sie das Werkzeug und den Akku nicht sicher festhalten, können sie Ihnen aus der Hand rutschen, was zu einer Beschädigung des Werkzeugs und des Akkus und zu Körperverletzungen führen kann.

► **Abb.1:** 1. Rote Anzeige 2. Knopf 3. Akku

Ziehen Sie den Akku zum Abnehmen vom Werkzeug ab, während Sie den Knopf an der Vorderseite des Akkus verschieben.

Richten Sie zum Anbringen des Akkus dessen Führungsfeder auf die Nut im Gehäuse aus, und schieben Sie den Akku hinein. Schieben Sie ihn vollständig ein, bis er mit einem hörbaren Klicken einrastet. Falls die rote Anzeige an der Oberseite des Knopfes sichtbar ist, ist der Akku nicht vollständig verriegelt.

⚠ VORSICHT: Schieben Sie den Akku stets bis zum Anschlag ein, bis die rote Anzeige nicht mehr sichtbar ist. Anderenfalls kann er aus dem Werkzeug herausfallen und Sie oder umstehende Personen verletzen.














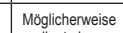
⚠ VORSICHT: Unterlassen Sie Gewaltanwendung beim Anbringen des Akkus. Falls der Akku nicht reibungslos hineingleitet, ist er nicht richtig ausgerichtet.

Anzeigen der Akku-Restkapazität

Nur für Akkus mit Anzeige

► **Abb.2:** 1. Anzeigelampen 2. Prüftaste

Drücken Sie die Prüftaste am Akku, um die Akku-Restkapazität anzuzeigen. Die Anzeigelampen leuchten wenige Sekunden lang auf.

Anzeigelampen			Restkapazität
 Erleuchtet	 Aus	 Blinkend	
			75% bis 100%
			50% bis 75%
			25% bis 50%
			0% bis 25%
			Den Akku aufladen.
			Möglicherweise liegt eine Funktionsstörung im Akku vor.

HINWEIS: Abhängig von den Benutzungsbedingungen und der Umgebungstemperatur kann die Anzeige geringfügig von der tatsächlichen Kapazität abweichen.

Werkzeug/Akku-Schutzsystem

Das Werkzeug ist mit einem Werkzeug/Akku-Schutzsystem ausgestattet. Dieses System schaltet die Stromversorgung des Motors automatisch ab, um die Lebensdauer von Werkzeug und Akku zu verlängern. Das Werkzeug bleibt während des Betriebs automatisch stehen, wenn das Werkzeug oder der Akku einer der folgenden Bedingungen unterliegt:

Überlastschutz

Wird der Akku auf eine Weise benutzt, die eine ungewöhnlich hohe Stromaufnahme bewirkt, bleibt das Werkzeug ohne jegliche Anzeige automatisch stehen. Schalten Sie in dieser Situation das Werkzeug aus, und brechen Sie die Arbeit ab, die eine Überlastung des Werkzeugs verursacht hat. Schalten Sie dann das Werkzeug wieder ein, um es neu zu starten.

Überhitzungsschutz

Wenn das Werkzeug oder der Akku überhitzt wird, bleibt das Werkzeug automatisch stehen, und die Lampe beginnt zu blinken. Lassen Sie das Werkzeug und den Akku in diesem Fall abkühlen, bevor Sie das Werkzeug wieder einschalten.

Überentladungsschutz

Wenn die Akkukapazität unzureichend wird, bleibt das Werkzeug automatisch stehen. Nehmen Sie in diesem Fall den Akku vom Werkzeug ab, und laden Sie ihn auf.

Schalterfunktion

⚠️ WARNUNG: Vergewissern Sie sich vor dem Einsetzen des Akkus in das Werkzeug stets, dass der Ein-Aus-Schalter ordnungsgemäß funktioniert und beim Loslassen in die AUS-Stellung zurückkehrt.

► **Abb.3:** 1. Auslöseschalter

Zum Einschalten des Werkzeugs betätigen Sie einfach den Auslöseschalter. Wenn Sie den Auslöseschalter loslassen, bleibt das Werkzeug stehen und kehrt dann auf die Ausgangsposition zurück.

In den folgenden Fällen kehrt das Werkzeug eventuell nicht in die Ausgangsposition zurück. Stellen Sie das Werkzeug auf die Ausgangsposition zurück, indem Sie den Auslöseschalter vor der Benutzung des Werkzeugs betätigen und loslassen.

- Bei erstmaliger Benutzung des Werkzeugs.
- Nach dem Austauschen des Akkus.
- Wenn das Werkzeug wegen Überlastung stehen bleibt.
- Nach Durchführung der Wartung.

Einschalten der Frontlampe

► **Abb.4:** 1. Lampe

⚠️ VORSICHT: Blicken Sie nicht direkt in die Lampe oder die Lichtquelle.

Betätigen Sie den Ein-Aus-Schalter, um die Lampe einzuschalten. Die Lampe bleibt erleuchtet, solange der Ein-Aus-Schalter gedrückt gehalten wird. Die Lampe erlischt ungefähr 10 Sekunden nach dem Loslassen des Ein-Aus-Schalters.

HINWEIS: Wischen Sie Schmutz auf der Lampenlinse mit einem trockenen Tuch ab. Achten Sie sorgfältig darauf, dass Sie die Lampenlinse nicht verkratzen, weil sich sonst die Lichtstärke verringert.

MONTAGE

⚠️ VORSICHT: Vergewissern Sie sich vor der Ausführung von Arbeiten am Werkzeug stets, dass das Werkzeug ausgeschaltet und der Akku abgenommen ist.

Montieren und Demontieren der Kopfeinheit

Befolgen Sie zum Demontieren der Kopfeinheit die nachstehenden Schritte.

1. Lösen Sie die Mutter des Kopfes, und nehmen Sie dann den Kopf ab.

► **Abb.5:** 1. Mutter 2. Kopf

2. Lösen Sie das Mundstück mit einem Schraubenschlüssel, während Sie den Kopf mit einem anderen Schraubenschlüssel festhalten.

► **Abb.6:** 1. Mundstück 2. Kopf

3. Lösen Sie die Spannhülse mit einem Schraubenschlüssel, während Sie die Verbindungsmuffe mit einem anderen Schraubenschlüssel festhalten.

► **Abb.7:** 1. Spannhülse 2. Verbindungsmuffe

4. Entfernen Sie Spannbackenschieber, Feder und Rohr.

► **Abb.8:** 1. Spannbackenschieber 2. Feder 3. Rohr

ANMERKUNG: Denken Sie beim Montieren des Spannbackenschiebers unbedingt daran, die Feder am Spannbackenschieber anzubringen.

Zum Montieren der Kopfeinheit führen Sie das Montageverfahren umgekehrt durch. Ziehen Sie die Spannhülse und das Mundstück unbedingt mit zwei Schraubenschlüsseln fest.

Aufhänger

⚠ VORSICHT: Nehmen Sie stets den Akku ab, wenn Sie das Werkzeug am Aufhänger aufhängen.

⚠ VORSICHT: Hängen Sie das Werkzeug auf keinen Fall an hoch gelegenen Stellen oder an einer potentiell instabilen Fläche auf.

⚠ VORSICHT: Lassen Sie beim Aufhängen des Werkzeugs mit dem Haken Sorgfalt walten. Anderenfalls kann das Werkzeug herunterfallen und eine Verletzung verursachen.

► **Abb.9:** 1. Nut 2. Aufhänger 3. Schraube

Der Aufhänger ist praktisch, um das Werkzeug vorübergehend aufzuhängen. Dieser kann auf beiden Seiten des Werkzeugs angebracht werden.

Um den Aufhänger anzubringen, führen Sie ihn in die Nut entweder auf der linken oder rechten Seite des Werkzeuggehäuses ein, und sichern Sie ihn dann mit einer Schraube. Um ihn zu entfernen, lösen Sie die Schraube, und nehmen Sie dann ihn heraus.

Montieren oder Demontieren des Dornbehälters

ANMERKUNG: Montieren Sie unbedingt den Dornbehälter am Werkzeug, bevor Sie das Werkzeug in Betrieb nehmen. Falls der Dornbehälter nicht am Werkzeug montiert ist, funktioniert das Werkzeug nicht.

Zum Demontieren des Dornbehälters drehen Sie ihn gegen den Uhrzeigersinn. Zum Montieren des Dornbehälters drehen Sie ihn im Uhrzeigersinn.

► **Abb.10:** 1. Dornbehälter

BETRIEB

⚠ VORSICHT: Halten Sie Ihre Hand oder Ihr Gesicht vom vorderen Teil des Werkzeugs fern. Der Niet oder der abgebrochene Dorn könnte versehentlich ausgeworfen werden, so dass Sie verletzt werden könnten.

Montieren von Blindnieten

⚠ VORSICHT: Sie sollten den Dornbehälter durch Demontieren regelmäßig entleeren, bevor er voll wird. Anderenfalls kann das Werkzeug beschädigt werden, und die beschädigten Teile können eine Verletzung verursachen.

⚠ VORSICHT: Wenn Sie einen Blindniet in das Mundstück einführen, schalten Sie das Werkzeug unbedingt aus. Anderenfalls können Sie mit der Werkzeugspitze verletzt werden.

⚠ VORSICHT: Lassen Sie keinen Blindniet im Mundstück zurück. Bei versehentlichem Einschalten des Werkzeugs wird der Blindniet ausgeworfen und kann eine Verletzung verursachen.

ANMERKUNG: Denken Sie nach dem Setzen eines Blindnietes unbedingt daran, den abgebrochenen Dorn durch Kippen des Werkzeugs nach hinten in den Dornbehälter auszuwerfen, bevor Sie den nächsten Blindniet setzen. Falls das Ende des abgebrochenen Dorns aus dem Mundstück herausragt, schalten Sie das Werkzeug aus, und entfernen Sie den Dorn. Anderenfalls können sich die abgebrochenen Dorne stauen und eine Funktionsstörung des Werkzeugs verursachen.

1. Führen Sie den Blindniet in das Mundstück ein.
► **Abb.11:** 1. Blindniet 2. Mundstück

2. Drücken Sie die Werkzeugspitze gegen das Werkstück, und betätigen Sie dann den Auslöseschalter. Lassen Sie den Auslöseschalter los, nachdem der Dorn abgebrochen worden ist.
► **Abb.12**

Sie sollten den Dornbehälter durch Demontieren regelmäßig entleeren, bevor er voll wird.

Verfügbare Blindnieten

ANMERKUNG: Die Verwendung von Teilen (Mundstück, Backe, Spannbackenschieber oder Rohr), die nicht mit dem Dorndurchmesser übereinstimmen, kann zu schlechter Befestigung, Verstopfung des Dorns oder einer Funktionsstörung des Werkzeugs führen.

Nehmen Sie für die Kombination von Niet, Mundstück, Backe, Spannbackenschieber und Rohr auf die nachstehende Tabelle Bezug.

HINWEIS: Manche Teile in der Tabelle können als Standardzubehör im Werkzeugsatz enthalten sein, während andere Teile in der Tabelle als Sonderzubehör geliefert werden können. Sie können von Land zu Land unterschiedlich sein.

Für DRV150

Niet		Mundstück		Markierung auf Backe	Spannbackenschieber		Rohr	
Größe	Durchmesser des Dorns	Markierung auf Mundstück	Lochdurchmesser		Lochdurchmesser	Farbe	Lochdurchmesser	Farbe
ø2,4 mm (3/32")	ø1,4 - 1,6 mm	2.4	ø1,9 mm	4.8	ø1,9 mm	Grau	ø2,2 mm	Silber
ø3,2 mm (1/8")	ø1,8 - 2,1 mm	3.2	ø2,4 mm	4.8	ø2,5 mm	Schwarz	ø2,6 mm	Schwarz
ø4,0 mm (5/32")	ø2,2 - 2,6 mm	4.0	ø3,0 mm	4.8	ø3,1 mm	Grau	Keine *	-
ø4,8 mm (3/16")	ø2,6 - 3,2 mm	4.8	ø3,6 mm	4.8	ø3,6 mm	Schwarz	Keine *	-

*. Das Rohr ist für den Betrieb nicht notwendig.

Für DRV250

Niet		Mundstück		Markierung auf Backe	Spannbackenschieber		Rohr	
Größe	Durchmesser des Dorns	Markierung auf Mundstück	Lochdurchmesser		Lochdurchmesser	Farbe	Lochdurchmesser	Farbe
ø2,4 mm (3/32")	ø1,4 - 1,6 mm	2.4	ø1,9 mm	4.8	ø1,9 mm	Grau	ø2,2 mm	Silber
ø3,2 mm (1/8")	ø1,8 - 2,1 mm	3.2	ø2,4 mm	4.8	ø2,5 mm	Schwarz	ø2,6 mm	Schwarz
ø4,0 mm (5/32")	ø2,2 - 2,6 mm	4.0	ø3,0 mm	4.8	ø3,1 mm	Grau	ø3,4 mm	Silber
ø4,8 mm (3/16")	ø2,6 - 3,2 mm	4.8	ø3,6 mm	4.8 oder 6.4	ø3,6 mm	Schwarz	ø4,1 mm	Schwarz
ø6,0 mm (1/4") *	ø3,1 - 3,5 mm	6.0	ø4,0 mm	6.4	ø4,0 mm	Grau	ø4,1 mm	Schwarz
ø6,4 mm (1/4") *	ø3,5 - 3,9 mm	6.4	ø4,4 mm	6.4	ø4,6 mm	Schwarz	ø4,5 mm	Silber

*. Edeltahlniete sind nicht erhältlich.

WARTUNG

⚠ VORSICHT: Vergewissern Sie sich vor der Durchführung von Inspektions- oder Wartungsarbeiten stets, dass das Werkzeug ausgeschaltet und der Akku abgenommen ist.

ANMERKUNG: Verwenden Sie auf keinen Fall Benzin, Waschbenzin, Verdünner, Alkohol oder dergleichen. Solche Mittel können Verfärbung, Verformung oder Rissbildung verursachen.

Um die SICHERHEIT und ZUVERLÄSSIGKEIT dieses Produkts zu gewährleisten, sollten Reparaturen und andere Wartungs- oder Einstellarbeiten nur von Makita-Vertragswerkstätten oder Makita-Kundendienstzentren unter ausschließlicher Verwendung von Makita-Originalersatzteilen ausgeführt werden.

Reinigen der Backen und der Spannhülse

Reinigungsintervall: Alle 3.000 Nietinstallationen
Angesamelter Staub verschlechtert die Bewegung der Backen und kann den Verschleiß der Backen und der Spannhülse beschleunigen. Um die Backen und die Spannhülse zu reinigen, folgen Sie den nachstehenden Schritten.

1. Entfernen Sie die Spannhülse. Angaben zum Demontageverfahren entnehmen Sie bitte den Demontageanweisungen für die Kopfeinheit.
2. Entfernen Sie die Backen aus der Spannhülse.
▶ **Abb.13:** 1. Spannhülse 2. Backe
3. Reinigen Sie die Backen und die Spannhülse mit einer Bürste. Entfernen Sie zwischen den Zähnen der Backen abgelagertes Metallpulver.
4. Tragen Sie Schmierfett auf Molybdänsulfidbasis gleichmäßig auf den Innenumfang der Spannhülse auf.
▶ **Abb.14:** 1. Schmierfett-Auftragungsbereich 2. Spannhülse
5. Montieren Sie die Backen an der Spannhülse.
▶ **Abb.15:** 1. Backe 2. Spannhülse

ANMERKUNG: Achten Sie beim Montieren der Backen darauf, die Spitzen der Backen auszurichten.

6. Montieren Sie die Spannhülse. Falls Schmierfett an den Spitzen der Backen haftet, wischen Sie das Schmierfett mit einem trockenen Lappen ab.
▶ **Abb.16:** 1. Bereich, an dem kein Schmierfett haften sollte 2. Backe
7. Montieren Sie die Kopfeinheit.
8. Wischen Sie Schmierfett von den Backen ab.

Setzen Sie einen Niet in das Mundstück ein, bewegen Sie ihn dann nach oben und unten und nach links und rechts, nehmen Sie ihn dann vom Mundstück ab, und wischen Sie dann das Schmierfett mit einem trockenen Lappen von dem Niet ab. Wiederholen Sie den gleichen Vorgang zwei- bis dreimal.

ANMERKUNG: Falls Schmierfett an der Spitze oder der Innenseite der Backe haftet, können die Backen während des Betriebs rutschen.

Austauschen der Backen in der Spannhülse

Falls die Backen in der Spannhülse abgenutzt sind, ersetzen Sie sie durch neue. Um die Backen auszutauschen, wenden Sie das gleiche Verfahren wie zum Reinigen der Backen und der Spannhülse an. Wenn Sie Backen an der Spannhülse montieren, verwenden Sie neue Backen.

Entfernen von verklemmten Nieten

Falls sich ein Niet im Werkzeug verklemmt hat, entfernen Sie ihn mit einem geeigneten Werkzeug, wie z. B. einem Stift. Falls es schwierig ist, den verklemmten Niet zu entfernen, ersetzen Sie den Spannbackenschieber oder das Rohr durch ein neues Teil. Angaben zum Austauschverfahren entnehmen Sie bitte den Anweisungen zum Montieren und Demontieren der Kopfeinheit.

SONDERZUBEHÖR

⚠VORSICHT: Die folgenden Zubehörteile oder Vorrichtungen werden für den Einsatz mit dem in dieser Anleitung beschriebenen Makita-Werkzeug empfohlen. Die Verwendung anderer Zubehörteile oder Vorrichtungen kann eine Verletzungsgefahr darstellen. Verwenden Sie Zubehörteile oder Vorrichtungen nur für ihren vorgesehenen Zweck.

Wenn Sie weitere Einzelheiten bezüglich dieser Zubehörteile benötigen, wenden Sie sich bitte an Ihre Makita-Kundendienststelle.

- Mundstück
- Spannbackenschieber
- Backe
- Rohr
- Schmierfett
- Original-Makita-Akku und -Ladegerät

HINWEIS: Manche Teile in der Liste können als Standardzubehör im Werkzeugsatz enthalten sein. Sie können von Land zu Land unterschiedlich sein.

DATI TECNICI

Modello:	DRV150	DRV250
Forza di trazione	10 kN	20 kN
Corsa	25 mm	30 mm
Lunghezza complessiva	313 mm	323 mm
Tensione nominale	18 V C.C.	
Peso netto	Da 1,9 a 2,2 kg	Da 2,1 a 2,4 kg

- A causa del nostro programma continuativo di ricerca e sviluppo, i dati tecnici sono soggetti a modifiche senza preavviso.
- I dati tecnici possono variare da nazione a nazione.
- Il peso può variare a seconda dell'accessorio o degli accessori, inclusa la cartuccia della batteria. La combinazione più leggera e quella più pesante, secondo la procedura EPTA 01/2014, sono indicate nella tabella.

Cartuccia della batteria e caricabatterie applicabili

Cartuccia della batteria	BL1815N / BL1820 / BL1820B / BL1830 / BL1830B / BL1840 / BL1840B / BL1850 / BL1850B / BL1860B
Caricabatterie	DC18RC / DC18RD / DC18RE / DC18SD / DC18SE / DC18SF / DC18SH

- Alcune cartucce delle batterie e alcuni caricabatterie elencati sopra potrebbero non essere disponibili a seconda della propria area geografica di residenza.

⚠AVVERTIMENTO: Utilizzare solo le cartucce delle batterie e i caricabatterie elencati sopra. L'utilizzo di altre cartucce delle batterie e di altri caricabatterie potrebbe causare lesioni personali e/o un incendio.

Uso previsto

Questo utensile è destinato all'installazione di rivetti ciechi.

Rumore

Livello tipico di rumore pesato A determinato in base allo standard EN62841-1:

Modello DRV150

Livello di pressione sonora (L_{pA}): 75 dB (A)
Incertezza (K): 3 dB (A)

Modello DRV250

Livello di pressione sonora (L_{pA}): 74 dB (A)
Incertezza (K): 3 dB (A)

Il livello del rumore nelle condizioni di lavoro può superare gli 80 dB (A).

NOTA: Il valore o i valori dichiarati delle emissioni di rumori sono stati misurati in conformità a un metodo standard di verifica, e possono essere utilizzati per confrontare un utensile con un altro.

NOTA: Il valore o i valori dichiarati delle emissioni di rumori possono venire utilizzati anche per una valutazione preliminare dell'esposizione.

⚠AVVERTIMENTO: Indossare protezioni per le orecchie.

⚠AVVERTIMENTO: L'emissione di rumori durante l'utilizzo effettivo dell'utensile elettrico può variare rispetto al valore o ai valori dichiarati, a seconda dei modi in cui viene utilizzato l'utensile e specialmente a seconda di che tipo di pezzo venga lavorato.

⚠AVVERTIMENTO: Accertarsi di identificare misure di sicurezza per la protezione dell'operatore che siano basate su una stima dell'esposizione nelle condizioni effettive di utilizzo (tenendo conto di tutte le parti del ciclo operativo, ad esempio del numero di spegnimenti dell'utensile e di quando giri a vuoto, oltre al tempo di attivazione).

Vibrazioni

Valore totale delle vibrazioni (somma vettoriale triassiale) determinato in base allo standard EN62841-1:

Modello DRV150

Modalità di lavoro: Installazione di un rivetto cieco
Emissione di vibrazioni (a_h): 2,5 m/s² o inferiore
Incertezza (K): 1,5 m/s²

Modello DRV250

Modalità di lavoro: Installazione di un rivetto cieco
Emissione di vibrazioni (a_h): 2,5 m/s² o inferiore
Incertezza (K): 1,5 m/s²

NOTA: Il valore o i valori complessivi delle vibrazioni dichiarati sono stati misurati in conformità a un metodo standard di verifica, e possono essere utilizzati per confrontare un utensile con un altro.

NOTA: Il valore o i valori complessivi delle vibrazioni dichiarati possono venire utilizzati anche per una valutazione preliminare dell'esposizione.

⚠AVVERTIMENTO: L'emissione delle vibrazioni durante l'utilizzo effettivo dell'utensile elettrico può variare rispetto al valore o ai valori dichiarati, a seconda dei modi in cui viene utilizzato l'utensile, specialmente a seconda di che tipo di pezzo venga lavorato.

⚠AVVERTIMENTO: Accertarsi di identificare misure di sicurezza per la protezione dell'operatore che siano basate su una stima dell'esposizione nelle condizioni effettive di utilizzo (tenendo conto di tutte le parti del ciclo operativo, ad esempio del numero di spegnimenti dell'utensile e di quando giri a vuoto, oltre al tempo di attivazione).

Dichiarazione di conformità CE

Solo per i paesi europei

La dichiarazione di conformità CE è inclusa nell'Allegato A al presente manuale di istruzioni.

AVVERTENZE DI SICUREZZA

Avvertenze generali relative alla sicurezza dell'utensile elettrico

⚠AVVERTIMENTO: Leggere tutte le avvertenze di sicurezza, le istruzioni, le illustrazioni e i dati tecnici forniti con il presente utensile elettrico. La mancata osservanza di tutte le istruzioni elencate di seguito potrebbe risultare in scosse elettriche, incendi e/o gravi lesioni personali.

Conservare tutte le avvertenze e le istruzioni come riferimento futuro.

Il termine "utensile elettrico" nelle avvertenze si riferisce sia all'utensile elettrico (cablato) nel funzionamento alimentato da rete elettrica che all'utensile elettrico (a batteria) nel funzionamento alimentato a batteria.

Avvertenze di sicurezza relative alla rivettatrice a batteria

1. **Mantenere l'utensile saldamente.**
2. **Tenere le mani lontane dalle parti mobili.**
3. **Accertarsi sempre di avere un appoggio saldo sui piedi. Accertarsi che non sia presente alcuna persona sotto di sé quando si intende utilizzare l'utensile in ubicazioni elevate.**
4. **Fare attenzione a non far cadere il mandrino spezzato da ubicazioni elevate.** In caso contrario, si potrebbero causare un incidente o lesioni personali.
5. **Non spargere i mandrini tranciati sul pavimento.** Si potrebbero subire lesioni personali causate dal lato affilato del mandrino tranciato o scivolando sul mandrino.
6. **Non puntare l'utensile verso alcuna persona o se stessi durante l'uso dell'utensile.** In caso contrario, il rivetto o il mandrino tranciato potrebbero venire espulsi accidentalmente, e l'utilizzatore potrebbe subire lesioni personali.

Istruzioni di sicurezza importanti per la cartuccia della batteria

1. **Prima di utilizzare la cartuccia della batteria, leggere tutte le istruzioni e le avvertenze riportate (1) sul caricabatteria, (2) sulla batteria e (3) sul prodotto che utilizza la batteria.**
2. **Non smontare la cartuccia della batteria.**
3. **Qualora il tempo di utilizzo si riduca eccessivamente, interrompere immediatamente l'utilizzo dell'utensile.** In caso contrario, si può incorrere nel rischio di surriscaldamento, possibili ustioni e persino un'esplosione.
4. **Qualora l'elettrolita entri in contatto con gli occhi, sciacquarli con acqua pulita e richiedere immediatamente assistenza medica.** Questa eventualità può risultare nella perdita della vista.
5. **Non cortocircuitare la cartuccia della batteria:**
 - (1) **Non toccare i terminali con alcun materiale conduttivo.**
 - (2) **Evitare di conservare la cartuccia della batteria in un contenitore insieme ad altri oggetti metallici quali chiodi, monete, e così via.**
 - (3) **Non esporre la cartuccia della batteria all'acqua o alla pioggia.****Un cortocircuito della batteria può causare un grande flusso di corrente, un surriscaldamento, possibili ustioni e persino un guasto.**
6. **Non conservare l'utensile e la cartuccia della batteria in ubicazioni in cui la temperatura possa raggiungere o superare i 50°C.**
7. **Non incenerire la cartuccia della batteria anche qualora sia gravemente danneggiata o completamente esaurita.** La cartuccia della batteria può esplodere se a contatto con il fuoco.
8. **Fare attenzione a non far cadere e a non colpire la batteria.**
9. **Non utilizzare una batteria danneggiata.**

10. **Le batterie a ioni di litio contenute sono soggette ai requisiti del regolamento sul trasporto di merci pericolose (Dangerous Goods Legislation).**
Per trasporti commerciali, ad esempio da parte di terzi o spedizionieri, è necessario osservare dei requisiti speciali sull'imballaggio e sull'etichetta. Per la preparazione dell'articolo da spedire, è richiesta la consulenza di un esperto in materiali pericolosi. Attenersi anche alle normative nazionali, che potrebbero essere più dettagliate. Nastrire o coprire i contatti aperti e imballare la batteria in modo tale che non si possa muovere liberamente all'interno dell'imballaggio.
11. **Quando si intende smaltire la cartuccia della batteria, rimuoverla dall'utensile e smaltirla in un luogo sicuro. Attenersi alle normative locali relative allo smaltimento della batteria.**
12. **Utilizzare le batterie esclusivamente con i prodotti specificati da Makita.** L'installazione delle batterie in prodotti non compatibili potrebbe risultare in incendi, calore eccessivo, esplosioni o perdite di liquido elettrolitico.
13. **Se l'utensile non viene utilizzato per un periodo di tempo prolungato, la batteria deve essere rimossa dall'utensile.**

CONSERVARE LE PRESENTI ISTRUZIONI.

⚠ATTENZIONE: Utilizzare solo batterie originali Makita. L'utilizzo di batterie Makita non originali, o di batterie che siano state alterate, potrebbe risultare nello scoppio della batteria, causando incendi, lesioni personali e danni. Inoltre, ciò potrebbe invalidare la garanzia Makita per l'utensile e il caricabatterie Makita.

Suggerimenti per preservare la durata massima della batteria

1. **Caricare la cartuccia della batteria prima che si scarichi completamente. Smettere sempre di utilizzare l'utensile e caricare la cartuccia della batteria quando si nota che la potenza dell'utensile è diminuita.**
2. **Non ricaricare mai una cartuccia della batteria completamente carica. La sovraccarica riduce la vita utile della batteria.**
3. **Caricare la cartuccia della batteria a una temperatura ambiente compresa tra 10°C e 40°C. Lasciar raffreddare una cartuccia della batteria prima di caricarla.**
4. **Caricare la cartuccia della batteria se non la si è utilizzata per un periodo di tempo prolungato (più di sei mesi).**

DESCRIZIONE DELLE FUNZIONI

⚠ATTENZIONE: Accertarsi sempre che l'utensile sia spento e che la cartuccia della batteria sia stata rimossa prima di regolare o di controllare il funzionamento dell'utensile.

Installazione o rimozione della cartuccia della batteria

⚠ATTENZIONE: Spegnerne sempre l'utensile prima di installare o rimuovere la cartuccia della batteria.

⚠ATTENZIONE: Mantenere saldamente lo strumento e la batteria quando si intende installare o rimuovere la cartuccia della batteria. Qualora non si mantengano saldamente lo strumento e la cartuccia della batteria, questi ultimi potrebbero scivolare dalle mani, con la possibilità di causare un danneggiamento dello strumento e della cartuccia della batteria, nonché una lesione personale.

► Fig.1: 1. Indicatore rosso 2. Pulsante 3. Cartuccia della batteria

Per rimuovere la cartuccia della batteria, farla scorrere via dall'utensile mentre si fa scorrere allo stesso tempo il pulsante sulla parte anteriore della cartuccia.

Per installare la cartuccia della batteria, allineare l'appendice della batteria con la scanalatura nell'alloggiamento e farla scivolare in sede. Inserirla completamente fino al suo blocco in sede con un leggero scatto. Se è possibile vedere l'indicatore rosso sul lato superiore del pulsante, la batteria non è bloccata completamente.

⚠ATTENZIONE: Installare sempre fino in fondo la cartuccia della batteria, fino a quando l'indicatore rosso non è più visibile. In caso contrario, la batteria potrebbe cadere accidentalmente dall'utensile, causando lesioni personali all'operatore o a chi gli è vicino.

⚠ATTENZIONE: Non installare forzatamente la cartuccia della batteria. Qualora la batteria non si inserisca scorrendo agevolmente, vuol dire che non viene inserita correttamente.

Indicazione della carica residua della batteria

Solo per cartucce delle batterie dotate di indicatore

► Fig.2: 1. Indicatori luminosi 2. Pulsante di controllo

Premere il pulsante di controllo sulla cartuccia della batteria per indicare la carica residua della batteria. Gli indicatori luminosi si illuminano per alcuni secondi.

Indicatori luminosi			Carica residua
■ Illuminato	□ Spento	▬ Lampeggiante	
■ ■ ■ ■			Dal 75% al 100%
■ ■ ■ □			Dal 50% al 75%
■ ■ □ □			Dal 25% al 50%
■ □ □ □			Dallo 0% al 25%
▬ □ □ □			Caricare la batteria.
■ ■ □ □	↑ □ □	↓ ■ ■	La batteria potrebbe essersi guastata.

NOTA: A seconda delle condizioni d'uso e della temperatura ambiente, l'indicazione potrebbe variare leggermente rispetto alla carica effettiva.

Sistema di protezione strumento/ batteria

L'utensile è dotato di un sistema di protezione dell'utensile stesso e della batteria. Tale sistema interrompe automaticamente l'alimentazione al motore per prolungare la vita utile dell'utensile e della batteria. L'utensile si arresta automaticamente durante il funzionamento, qualora l'utensile o la batteria vengano a trovarsi in una delle condizioni seguenti:

Protezione dal sovraccarico

Quando la batteria viene utilizzata in modo tale da causare un assorbimento di corrente elevato in modo anomalo, l'utensile si arresta automaticamente senza alcuna indicazione. In questa situazione, spegnere l'utensile e interrompere l'applicazione che ha fatto sovraccaricare l'utensile. Quindi, accendere l'utensile per ricominciare.

Protezione dal surriscaldamento

Quando l'utensile o la batteria sono surriscaldati, l'utensile si arresta automaticamente e la lampada lampeggia. In tal caso, lasciar raffreddare l'utensile e la batteria prima di riaccendere l'utensile.

Protezione dalla sovrascarica

Quando la carica della batteria non è sufficiente, l'utensile si arresta automaticamente. In questo caso, rimuovere la batteria dall'utensile e caricarla.

Funzionamento dell'interruttore

AVVERTIMENTO: Prima di inserire la cartuccia della batteria nell'utensile, controllare sempre che l'interruttore a grilletto funzioni correttamente e torni sulla posizione "OFF" quando viene rilasciato.

► Fig.3: 1. Interruttore a grilletto

Per avviare l'utensile, è sufficiente premere l'interruttore a grilletto. Quando si rilascia l'interruttore a grilletto, l'utensile si arresta e ritorna alla posizione iniziale.

L'utensile potrebbe non trovarsi nella posizione iniziale nei casi seguenti. Prima di utilizzare l'utensile, riportarlo alla posizione iniziale premendo e rilasciando l'interruttore a grilletto.

- Quando si utilizza l'utensile per la prima volta.
- Dopo aver sostituito la cartuccia della batteria.
- Quando l'utensile si arresta a causa di un sovraccarico.
- Dopo aver eseguito la manutenzione.

Accensione della lampadina anteriore

► Fig.4: 1. Lampadina

ATTENZIONE: Non osservare né guardare direttamente la fonte di luce.

Premere l'interruttore a grilletto per accendere la lampadina. La lampadina resta accesa fintanto che l'interruttore a grilletto è premuto. La lampadina si spegne circa 10 secondi dopo che si è rilasciato l'interruttore a grilletto.

NOTA: Per pulire la sporcizia dalla lente della lampadina, utilizzare un panno asciutto. Fare attenzione a non graffiare la lente della lampadina, altrimenti si potrebbe ridurre l'illuminazione.

MONTAGGIO

ATTENZIONE: Accertarsi sempre che l'utensile sia spento e che la cartuccia della batteria sia stata rimossa, prima di effettuare qualsiasi intervento sull'utensile.

Installazione o rimozione del gruppo testina

Per rimuovere il gruppo testina, attenersi alla procedura seguente.

1. Allentare il dado della testina, quindi rimuovere la testina.

► Fig.5: 1. Dado 2. Testina

2. Allentare il bocchello con una chiave mentre si tiene ferma la testina con un'altra chiave.

► Fig.6: 1. Bocchello 2. Testina

3. Allentare il cono portaganasce con una chiave mentre si tiene fermo il giunto con un'altra chiave.

► **Fig.7:** 1. Cono portaganasce 2. Giunto

4. Rimuovere l'elemento di spinta delle ganasce, la molla e il tubo.

► **Fig.8:** 1. Elemento di spinta delle ganasce 2. Molla 3. Tubo

AVVISO: Quando si intende installare l'elemento di spinta delle ganasce, accertarsi di montare la molla sull'elemento di spinta delle ganasce.

Per installare il gruppo testina, eseguire la procedura di rimozione al contrario. Accertarsi di serrare saldamente il cono portaganasce e il bocchello con due chiavi.

Gancio

⚠ATTENZIONE: Rimuovere sempre la batteria quando si intende appendere l'utensile con il gancio.

⚠ATTENZIONE: Non agganciare mai l'utensile in ubicazioni elevate o su superfici potenzialmente instabili.

⚠ATTENZIONE: Quando si intende appendere l'utensile con il gancio, appenderlo con cautela. In caso contrario, l'utensile potrebbe cadere e causare lesioni personali.

► **Fig.9:** 1. Scanalatura 2. Gancio 3. Vite

Il gancio è pratico per appendere temporaneamente l'utensile. Può venire installato su entrambi i lati dell'utensile.

Per installare il gancio, inserirlo in una delle scanalature presenti su entrambi i lati dell'alloggiamento dell'utensile, quindi fissarlo con una vite. Per rimuoverlo, allentare la vite e quindi estrarlo.

Installazione o rimozione del contenitore mandrini tranciati

AVVISO: Accertarsi di installare il contenitore mandrini tranciati sull'utensile, prima di utilizzare l'utensile. Qualora il contenitore mandrini tranciati non sia installato sull'utensile, quest'ultimo non funziona.

Per rimuovere il contenitore mandrini tranciati, ruotarlo in senso antiorario. Per installare il contenitore mandrini tranciati, ruotarlo in senso orario.

► **Fig.10:** 1. Contenitore mandrini tranciati

FUNZIONAMENTO

⚠ATTENZIONE: Tenere la mano o il viso lontani dalla parte anteriore dell'utensile. In caso contrario, il rivetto o il mandrino tranciato potrebbero venire espulsi accidentalmente, e l'utilizzatore potrebbe subire lesioni personali.

Installazione di un rivetto cieco

⚠ATTENZIONE: Prima che il contenitore mandrini tranciati si riempia, svuotarlo a intervalli regolari rimuovendolo. In caso contrario, l'utensile potrebbe danneggiarsi, e le parti danneggiate potrebbero causare lesioni personali.

⚠ATTENZIONE: Quando si intende inserire un rivetto cieco nel bocchello, accertarsi di spegnere l'utensile. In caso contrario, l'utilizzatore potrebbe ferirsi con la punta dell'utensile.

⚠ATTENZIONE: Non lasciare un rivetto cieco nel bocchello. Qualora l'utensile venga acceso accidentalmente, il rivetto cieco viene espulso e potrebbe causare lesioni personali.

AVVISO: Dopo aver installato un rivetto cieco, accertarsi di espellere il mandrino tranciato nel contenitore mandrini tranciati inclinando l'utensile all'indietro, prima di installare il rivetto cieco successivo. Qualora l'estremità del mandrino tranciato sporga dal bocchello, spegnere l'utensile e rimuovere il mandrino. In caso contrario, i mandrini tranciati potrebbero intasarsi e causare un malfunzionamento dell'utensile.

1. Inserire il rivetto cieco nel bocchello.

► **Fig.11:** 1. Rivetto cieco 2. Bocchello

2. Premere la punta dell'utensile contro il pezzo in lavorazione, quindi premere l'interruttore a grilletto. Dopo che il mandrino è stato tranciato, rilasciare l'interruttore a grilletto.

► **Fig.12**

Prima che il contenitore mandrini tranciati si riempia, svuotarlo a intervalli regolari rimuovendolo.

Rivetti ciechi disponibili

AVVISO: L'utilizzo di bocchelli, ganasce, elementi di spinta delle ganasce o tubi che non corrispondano al diametro del mandrino potrebbe causare un fissaggio scadente, un inceppamento del mandrino o il malfunzionamento dell'utensile.

Per informazioni sulla combinazione di rivetti, bocchelli, ganasce, elementi di spinta delle ganasce e tubi, fare riferimento alla tabella seguente.

NOTA: Alcuni articoli nella tabella potrebbero essere inclusi nella confezione dell'utensile come accessori di serie, mentre alcuni articoli nella tabella vengono forniti come accessori opzionali. Tali articoli possono variare da nazione a nazione.

Per il modello DRV150

Rivetto		Bocchello		Indicazione sulla ganascia	Elemento di spinta delle ganasce		Tubo	
Dimensione	Diametro del mandrino	Indicazione sul bocchello	Diametro foro		Diametro foro	Colore	Diametro foro	Colore
ø2,4 mm (3/32")	Da ø1,4 a 1,6 mm	2.4	ø1,9 mm	4.8	ø1,9 mm	Grigio	ø2,2 mm	Argento
ø3,2 mm (1/8")	Da ø1,8 a 2,1 mm	3.2	ø2,4 mm	4.8	ø2,5 mm	Nero	ø2,6 mm	Nero
ø4,0 mm (5/32")	Da ø2,2 a 2,6 mm	4.0	ø3,0 mm	4.8	ø3,1 mm	Grigio	Assente*	-
ø4,8 mm (3/16")	Da ø2,6 a 3,2 mm	4.8	ø3,6 mm	4.8	ø3,6 mm	Nero	Assente*	-

*. Il tubo non è necessario per l'uso.

Per il modello DRV250

Rivetto		Bocchello		Indicazione sulla ganascia	Elemento di spinta delle ganasce		Tubo	
Dimensione	Diametro del mandrino	Indicazione sul bocchello	Diametro foro		Diametro foro	Colore	Diametro foro	Colore
ø2,4 mm (3/32")	Da ø1,4 a 1,6 mm	2.4	ø1,9 mm	4.8	ø1,9 mm	Grigio	ø2,2 mm	Argento
ø3,2 mm (1/8")	Da ø1,8 a 2,1 mm	3.2	ø2,4 mm	4.8	ø2,5 mm	Nero	ø2,6 mm	Nero
ø4,0 mm (5/32")	Da ø2,2 a 2,6 mm	4.0	ø3,0 mm	4.8	ø3,1 mm	Grigio	ø3,4 mm	Argento
ø4,8 mm (3/16")	Da ø2,6 a 3,2 mm	4.8	ø3,6 mm	4.8 o 6.4	ø3,6 mm	Nero	ø4,1 mm	Nero
ø6,0 mm (1/4") *	Da ø3,1 a 3,5 mm	6.0	ø4,0 mm	6.4	ø4,0 mm	Grigio	ø4,1 mm	Nero
ø6,4 mm (1/4") *	Da ø3,5 a 3,9 mm	6.4	ø4,4 mm	6.4	ø4,6 mm	Nero	ø4,5 mm	Argento

*. Il rivetto non è disponibile in acciaio inossidabile.

MANUTENZIONE

ATTENZIONE: Accertarsi sempre che l'utensile sia spento e che la cartuccia della batteria sia stata rimossa prima di tentare di eseguire interventi di ispezione o manutenzione.

AVVISO: Non utilizzare mai benzina, benzene, solventi, alcol o altre sostanze simili. In caso contrario, si potrebbero causare scolorimenti, deformazioni o crepe.

Per preservare la SICUREZZA e l'AFFIDABILITÀ del prodotto, le riparazioni e qualsiasi altro intervento di manutenzione e di regolazione devono essere eseguiti da un centro di assistenza autorizzato Makita, utilizzando sempre ricambi Makita.

Pulizia delle ganasce e del cono portaganasce

Intervallo di pulizia: ogni 3.000 installazioni di rivetti
Qualora le polveri si accumulino, deteriorano il movimento delle ganasce e potrebbero accelerare l'usura delle ganasce e del cono portaganasce. Per pulire le ganasce e il cono portaganasce, attenersi alla procedura seguente.

1. Rimuovere il cono portaganasce. Per la procedura di rimozione, fare riferimento alle istruzioni di rimozione per il gruppo testina.
2. Rimuovere le ganasce dal cono portaganasce.
► **Fig.13:** 1. Cono portaganasce 2. Ganasce
3. Pulire le ganasce e il cono portaganasce con una spazzola. Rimuovere la polvere metallica incastrata tra i denti delle ganasce.
4. Applicare grasso al bisolfuro di molibdeno in modo omogeneo sul contorno interno del cono portaganasce.
► **Fig.14:** 1. Area su cui applicare il grasso 2. Cono portaganasce
5. Installare le ganasce nel cono portaganasce.
► **Fig.15:** 1. Ganasce 2. Cono portaganasce

AVVISO: Quando si intende installare le ganasce, accertarsi di allineare le punte delle ganasce.

6. Installare il cono portaganasce. Qualora del grasso si depositi sulle punte delle ganasce, pulire il grasso con un panno asciutto.
► **Fig.16:** 1. Area su cui non deve depositarsi il grasso 2. Ganasce
7. Installare il gruppo testina.
8. Pulire il grasso dalle ganasce.

Inserire un rivetto nel bocchello, muoverlo verso l'alto e verso il basso, a sinistra e a destra, quindi rimuoverlo dal bocchello e pulire il grasso dal rivetto con un panno asciutto. Ripetere la stessa procedura due o 3 volte.

AVVISO: Qualora del grasso si depositi sulla punta o all'interno della ganasce, le ganasce potrebbero scivolare durante l'uso.

Sostituzione delle ganasce nel cono portaganasce

Qualora le ganasce nel cono portaganasce siano usurate, sostituirle con ganasce nuove. Per sostituire le ganasce, attenersi alla stessa procedura per la pulizia delle ganasce e del cono portaganasce. Quando si intende installare le ganasce nel cono portaganasce, installare ganasce nuove.

Rimozione dei rivetti inceppati

Qualora il rivetto sia inceppato all'interno dell'utensile, rimuoverlo utilizzando un attrezzo quale, ad esempio, uno spillo. Qualora risulti difficile rimuovere il rivetto inceppato, sostituire l'elemento di spinta delle ganasce o il tubo con uno nuovo. Per la procedura di sostituzione, fare riferimento alle istruzioni per l'installazione o la rimozione del gruppo testina.

ACCESSORI OPZIONALI

ATTENZIONE: Questi accessori o componenti aggiuntivi sono consigliati per l'uso con l'utensile Makita specificato nel presente manuale. L'impiego di altri accessori o componenti aggiuntivi può costituire un rischio di lesioni alle persone. Utilizzare gli accessori o i componenti aggiuntivi solo per il loro scopo prefissato.

Per ottenere ulteriori dettagli relativamente a questi accessori, rivolgersi a un centro di assistenza Makita.

- Bocchello
- Elemento di spinta delle ganasce
- Ganasce
- Tubo
- Grasso
- Batteria e caricabatterie originali Makita

NOTA: Alcuni articoli nell'elenco potrebbero essere inclusi nell'imballaggio dell'utensile come accessori standard. Tali articoli potrebbero variare da nazione a nazione.

TECHNISCHE GEGEVENS

Model:	DRV150	DRV250
Trekkracht	10 kN	20 kN
Slaglengte	25 mm	30 mm
Totale lengte	313 mm	323 mm
Nominale spanning	18 V gelijkspanning	
Nettogewicht	1,9 - 2,2 kg	2,1 - 2,4 kg

- In verband met ononderbroken research en ontwikkeling, behouden wij ons het recht voor de bovenstaande technische gegevens zonder voorafgaande kennisgeving te wijzigen.
- De technische gegevens kunnen van land tot land verschillen.
- Het gewicht kan verschillen afhankelijk van de hulpstukken, waaronder de accu. De lichtste en zwaarste combinatie, overeenkomstig de EPTA-procedure 01/2014, worden getoond in de tabel.

Toepasselijke accu's en laders

Accu	BL1815N / BL1820 / BL1820B / BL1830 / BL1830B / BL1840 / BL1840B / BL1850 / BL1850B / BL1860B
Lader	DC18RC / DC18RD / DC18RE / DC18SD / DC18SE / DC18SF / DC18SH

- Sommige van de hierboven vermelde accu's en laders zijn mogelijk niet leverbaar afhankelijk van waar u woont.

⚠️ WAARSCHUWING: Gebruik uitsluitend de accu's en laders die hierboven worden genoemd. Gebruik van enige andere accu of lader kan leiden tot tetsel en/of brand.

Bedoeld gebruik

Dit gereedschap is bedoeld voor het aanbrengen van blindklinknagels.

Geluidsniveau

De typische, A-gewogen geluidsniveaus zijn gemeten volgens EN62841-1:

Model DRV150

Geluidsdrukniveau (L_{pA}): 75 dB (A)
Onzekerheid (K): 3 dB (A)

Model DRV250

Geluidsdrukniveau (L_{pA}): 74 dB (A)
Onzekerheid (K): 3 dB (A)

Het geluidsniveau kan tijdens gebruik hoger worden dan 80 dB (A).

OPMERKING: De opgegeven geluidsemissiewaarde(n) is/zijn gemeten volgens een standaardtestmethode en kan/kunnen worden gebruikt om dit gereedschap te vergelijken met andere gereedschappen.

OPMERKING: De opgegeven geluidsemissiewaarde(n) kan/kunnen ook worden gebruikt voor een beoordeling vooraf van de blootstelling.

⚠️ WAARSCHUWING: Draag gehoorbescherming.

⚠️ WAARSCHUWING: De geluidsemissie tijdens het gebruik van het elektrisch gereedschap in de praktijk kan verschillen van de opgegeven waarde(n) afhankelijk van de manier waarop het gereedschap wordt gebruikt, met name van het soort werkstuk waarmee wordt gewerkt.

⚠️ WAARSCHUWING: Zorg ervoor dat veiligheidsmaatregelen worden getroffen ter bescherming van de gebruiker die zijn gebaseerd op een schatting van de blootstelling onder praktijkomstandigheden (rekening houdend met alle fasen van de bedrijfscyclus, zoals de tijdsduur gedurende welke het gereedschap is uitgeschakeld en stationair draait, naast de ingeschakelde tijdsduur).

Trilling

De totale trillingswaarde (triaxiale vectorsom) zoals vastgesteld volgens EN62841-1:

Model DRV150

Gebruikstoepassing: Een blindklinknagel aanbrengen
Trillingsemissie (a_h): 2,5 m/s² of lager
Onzekerheid (K): 1,5 m/s²

Model DRV250

Gebruikstoepassing: Een blindklinknagel aanbrengen
Trillingsemissie (a_h): 2,5 m/s² of lager
Onzekerheid (K): 1,5 m/s²

OPMERKING: De totale trillingswaarde(n) is/zijn gemeten volgens een standaardtestmethode en kan/kunnen worden gebruikt om dit gereedschap te vergelijken met andere gereedschappen.

OPMERKING: De opgegeven totale trillingswaarde(n) kan/kunnen ook worden gebruikt voor een beoordeling vooraf van de blootstelling.

⚠️ WAARSCHUWING: De trillingsemissie tijdens het gebruik van het elektrisch gereedschap in de praktijk kan verschillen van de opgegeven waarde(n) afhankelijk van de manier waarop het gereedschap wordt gebruikt, met name van het soort werkstuk waarmee wordt gewerkt.

⚠️ WAARSCHUWING: Zorg ervoor dat veiligheidsmaatregelen worden getroffen ter bescherming van de gebruiker die zijn gebaseerd op een schatting van de blootstelling onder praktijkomstandigheden (rekening houdend met alle fasen van de bedrijfscyclus, zoals de tijdsduur gedurende welke het gereedschap is uitgeschakeld en stationair draait, naast de ingeschakelde tijdsduur).

EG-verklaring van conformiteit

Alleen voor Europese landen

De EG-verklaring van conformiteit is bijgevoegd als Bijlage A bij deze gebruiksaanwijzing.

VEILIGHEIDSWAARSCHUWINGEN

Algemene veiligheidswaarschuwingen voor elektrisch gereedschap

⚠️ WAARSCHUWING: Lees alle veiligheidswaarschuwingen, aanwijzingen, afbeeldingen en technische gegevens behorend bij dit elektrische gereedschap aandachtig door. Als u niet alle onderstaande aanwijzingen naleeft, kan dat resulteren in brand, elektrische schokken en/of ernstig letsel.

Bewaar alle waarschuwingen en instructies om in de toekomst te kunnen raadplegen.

De term "elektrisch gereedschap" in de veiligheidsvoorwaarden duidt op gereedschappen die op stroom van het lichtnet werken (met snoer) of gereedschappen met een accu (snoerloos).

Veiligheidswaarschuwingen voor een accuklinknagelpistool

1. **Houd het gereedschap stevig vast.**
2. **Houd uw handen uit de buurt van bewegende delen.**
3. **Zorg er altijd voor dat u stevig staat. Zorg ervoor dat er niemand zich onder u bevindt wanneer u het gereedschap op een hoge plaats gebruikt.**
4. **Wees voorzichtig dat u de afgebroken trekpen niet vanaf een hoge plaats laat vallen.** Als u dat doet, kan dat een ongeval of letsel veroorzaken.
5. **Laat de afgebroken trekpenen niet op de grond vallen.** Het scherpe uiteinde van de afgebroken trekpen kan letsel veroorzaken en u kunt uitglijden op de trekpenen.
6. **Richt het pistool niet op een persoon of uzelf wanneer u het gereedschap bedient.** De klinknagel of afgebroken trekpen kan per ongeluk worden uitgeworpen en letsel veroorzaken.

Belangrijke veiligheidsinstructies voor een accu

1. **Lees alle voorschriften en waarschuwingen op (1) de acculader, (2) de accu, en (3) het product waarvoor de accu wordt gebruikt, alvorens de accu in gebruik te nemen.**
2. **Neem de accu niet uit elkaar.**
3. **Als de gebruikstijd van een opgeladen accu aanzienlijk korter is geworden, moet u het gebruik ervan onmiddellijk stopzetten.** Voortgezet gebruik kan oververhitting, brandwonden en zelfs een ontploffing veroorzaken.
4. **Als elektrolyt in uw ogen is terechtgekomen, spoelt u uw ogen met schoon water en roept u onmiddellijk de hulp van een dokter in.** Elektrolyt in de ogen kan blindheid veroorzaken.
5. **Vorkom kortsluiting van de accu:**
 - (1) **Raak de accuklemmen nooit aan met een geleidend materiaal.**
 - (2) **Bewaar de accu niet in een bak waarin andere metalen voorwerpen zoals spijkers, munten e.d. worden bewaard.**
 - (3) **Stel de accu niet bloot aan water of regen.** Kortsluiting van de accu kan oorzaak zijn van een grote stroomafgifte, oververhitting, brandwonden, en zelfs defecten.
6. **Bewaar het gereedschap en de accu niet op plaatsen waar de temperatuur kan oplopen tot 50°C of hoger.**
7. **Werp de accu nooit in het vuur, ook niet wanneer hij zwaar beschadigd of volledig versleten is.** De accu kan ontploffen in het vuur.
8. **Wees voorzichtig dat u de accu niet laat vallen en hem niet blootstelt aan schokken of stoten.**
9. **Gebruik nooit een beschadigde accu.**

10. **De bijgeleverde lithium-ionbatterijen zijn onderhevig aan de vereisten in de wetgeving omtrent gevaarlijke stoffen.**
 Voor commercieel transport en dergelijke door derden en transporteurs moeten speciale vereisten ten aanzien van verpakking en etikettering worden nageleefd.
 Als voorbereiding van het artikel dat wordt getransporteerd is het noodzakelijk een expert op het gebied van gevaarlijke stoffen te raadplegen. Houd u tevens aan mogelijk strengere nationale regelgeving.
 Blootliggende contactpunten moeten worden afgedekt met tape en de accu moet zodanig worden verpakt dat deze niet kan bewegen in de verpakking.
11. **Wanneer u de accu wilt weggooien, verwijdert u de accu vanaf het gereedschap en gooit u hem op een veilige manier weg. Volg bij het weggooien van de accu de plaatselijke voorschriften.**
12. **Gebruik de accu's uitsluitend met de gereedschappen die door Makita zijn aanbevolen.** Als de accu's worden aangebracht in niet-compatibele gereedschappen, kan dat leiden tot brand, buitensporige warmteontwikkeling, een explosie of lekkage van elektrolyt.
13. **Als u het gereedschap gedurende een lange tijd niet denkt te gaan gebruiken, moet de accu vanaf het gereedschap worden verwijderd.**

BEWAAR DEZE INSTRUCTIES.

⚠ LET OP: Gebruik uitsluitend originele Makita accu's. Het gebruik van niet-originele accu's, of accu's die zijn gewijzigd, kan ertoe leiden dat de accu ontploft en brand, persoonlijk letsel en schade veroorzaakt. Ook vervalt daarmee de garantie van Makita op het gereedschap en de lader van Makita.

Tips voor een maximale levensduur van de accu

1. **Laad de accu op voordat hij volledig ontladen is. Stop het gebruik van het gereedschap en laad de accu op telkens wanneer u vaststelt dat het vermogen van het gereedschap is afgenomen.**
2. **Laad een volledig opgeladen accu nooit opnieuw op. Te lang opladen verkort de levensduur van de accu.**
3. **Laad de accu op bij een omgevingstemperatuur tussen 10°C en 40°C. Laat een warme accu afkoelen alvorens hem op te laden.**
4. **Laad de accu op als u deze gedurende een lange tijd (meer dan zes maanden) niet gaat gebruiken.**

BESCHRIJVING VAN DE FUNCTIES

⚠ LET OP: Zorg altijd dat het gereedschap is uitgeschakeld en de accu ervan is verwijderd alvorens de functies op het gereedschap af te stellen of te controleren.

De accu aanbrengen en verwijderen

⚠ LET OP: Schakel het gereedschap altijd uit voordat u de accu aanbrengt of verwijdert.

⚠ LET OP: Houd het gereedschap en de accu stevig vast tijdens het aanbrengen of verwijderen van de accu. Als u het gereedschap en de accu niet stevig vasthoudt, kunnen deze uit uw handen glijpen en het gereedschap of de accu beschadigen, of kan persoonlijk letsel worden veroorzaakt.

► Fig.1: 1. Rood deel 2. Knop 3. Accu

Om de accu te verwijderen verschuift u de knop aan de voorkant van de accu en schuift u tegelijkertijd de accu uit het gereedschap.

Om de accu aan te brengen lijnt u de lip op de accu uit met de groef in de behuizing en duwt u de accu op zijn plaats. Steek de accu zo ver mogelijk in het gereedschap tot u een klikgeluid hoort. Als u het rode deel aan de bovenkant van de knop kunt zien, is de accu niet goed aangebracht.

⚠ LET OP: Breng de accu altijd helemaal aan totdat het rode deel niet meer zichtbaar is. Als u dit niet doet, kan de accu per ongeluk uit het gereedschap vallen en u of anderen in uw omgeving verwonden.

⚠ LET OP: Breng de accu niet met kracht aan. Als de accu niet gemakkelijk in het gereedschap kan worden geschoven, wordt deze niet goed aangebracht.

De resterende acculading controleren

Alleen voor accu's met indicatorlampjes

► Fig.2: 1. Indicatorlampjes 2. Testknop

Druk op de testknop op de accu om de resterende acculading te zien. De indicatorlampjes branden gedurende enkele seconden.

Indicatorlampjes			Resterende acculading
Brandt	Uit	Knippert	
■	□	▧	75% tot 100%
■	■	□	50% tot 75%
■	□	□	25% tot 50%
■	□	□	0% tot 25%
▧	□	□	Laad de accu op.
■	□	□	Er kan een storing zijn opgetreden in de accu.
□	□	■	

OPMERKING: Afhankelijk van de gebruiksomstandigheden en de omgevingstemperatuur, is het mogelijk dat de aangegeven acculading verschilt van de werkelijke acculading.

Gereedschap-/accubeveiligingssysteem

Het gereedschap is voorzien van een gereedschap-/accubeveiligingssysteem. Dit systeem schakelt automatisch de voeding naar de motor uit om de levensduur van het gereedschap en de accu te verlengen. Het gereedschap kan tijdens het gebruik automatisch stoppen als het gereedschap of de accu aan één van de volgende omstandigheden wordt blootgesteld:

Overbelastingsbeveiliging

Als de accu wordt gebruikt op een manier die ertoe leidt dat een abnormaal hoge stroomsterkte wordt getrokken, stopt het gereedschap automatisch zonder enige aanduiding. In dat geval schakelt u het gereedschap uit en stopt u met het gebruik dat er toe leidde dat het gereedschap overbelast raakte. Schakel vervolgens het gereedschap in om weer te starten.

Oververhittingsbeveiliging

Wanneer het gereedschap of de accu oververhit is, stopt het gereedschap automatisch en knippert de lamp. In dat geval laat u het gereedschap en de accu afkoelen, voordat u het gereedschap opnieuw inschakelt.

Beveiliging tegen te ver ontladen

Als de acculading onvoldoende is, stopt het gereedschap automatisch. In dat geval verwijdert u de accu vanaf het gereedschap en laadt u de accu op.

De trekkerschakelaar gebruiken

WAARSCHUWING: Alvorens de accu in het gereedschap te plaatsen, moet u altijd controleren of de trekkerschakelaar goed werkt en bij het loslaten terugkeert naar de stand "OFF".

► **Fig.3:** 1. Trekkerschakelaar

Om het gereedschap te starten, knijpt u gewoon de trekkerschakelaar in. Wanneer u de trekkerschakelaar los laat, stopt het gereedschap en keert het terug naar de uitgangsstand.

Het gereedschap keert mogelijk niet terug naar de uitgangsstand in de volgende gevallen. Zet het gereedschap terug in de uitgangsstand door de trekkerschakelaar in te knijpen en los te laten voordat u het gereedschap gebruikt.

- Wanneer u het gereedschap voor de eerste keer gebruikt.
- Na het vervangen van de accu.
- Wanneer het gereedschap is gestopt als gevolg van overbelasting.
- Na het uitvoeren van onderhoudswerkzaamheden.

De lamp op de voorkant gebruiken

► **Fig.4:** 1. Lamp

LET OP: Kijk niet direct in het lamplicht of in de lichtbron.

Knijp de trekkerschakelaar in om de lamp in te schakelen. De lamp blijft branden zo lang de trekkerschakelaar wordt ingeknepen. Ongeveer 10 seconden nadat u de trekkerschakelaar hebt losgelaten, gaat de lamp uit.

OPMERKING: Gebruik een droge doek om vuil van de lens van de lamp af te vegen. Wees voorzichtig dat u de lens van de lamp niet bekrast omdat dan de verlichting minder wordt.

MONTAGE

LET OP: Zorg altijd dat het gereedschap is uitgeschakeld en de accu ervan is verwijderd alvorens enig werk aan het gereedschap uit te voeren.

De kop aanbrengen en verwijderen

Om de kop te verwijderen, volgt u de onderstaande stappen.

1. Draai de moer van de kop los en verwijder daarna de kop.

► **Fig.5:** 1. Moer 2. Kop

2. Draai het neusstuk los met een sleutel terwijl u de kop vasthoudt met een andere sleutel.

► **Fig.6:** 1. Neusstuk 2. Kop

3. Draai het bekhuis los met een sleutel terwijl u het koppelstuk vasthoudt met een andere sleutel.

► **Fig.7:** 1. Bekhuis 2. Koppelstuk

4. Verwijder de bekaandrukker, veer en pijp.

► **Fig.8:** 1. Bekaandrukker 2. Veer 3. Pijp

KENNISGEVING: Denk er bij het monteren van de bekaandrukker aan de veer aan te brengen op de bekaandrukker.

Om de kop aan te brengen, volgt u de verwijderingsprocedure in omgekeerde volgorde. Verzeker u ervan dat het bekhuis en het neusstuk stevig worden vastgedraaid met twee sleutels.

Haak

LET OP: Verwijder altijd eerst de accu, voordat u het gereedschap aan de haak ophangt.

LET OP: Hang het gereedschap nooit op een hoge plaats of aan een mogelijk instabiel oppervlak.

LET OP: Als u het gereedschap aan de haak ophangt, doet u dit zorgvuldig. Anders kan het gereedschap vallen en letsel veroorzaken.

► **Fig.9:** 1. Groef 2. Haak 3. Schroef

De haak is handig om het gereedschap tijdelijk aan op te hangen. Deze kan aan beide kanten van het gereedschap worden aangebracht.

U brengt de haak aan door deze in een groef in de behuizing van het gereedschap te steken en vast te zetten met een schroef. Om te verwijderen, draait u de schroef los en haalt u hem van het gereedschap af.

De trekpenopvangbus aanbrengen en verwijderen

KENNISGEVING: Vergeet niet de trekpenopvangbus op het gereedschap aan te brengen alvorens het gereedschap te gebruiken. Als de trekpenopvangbus niet op het gereedschap is aangebracht, kan het gereedschap niet worden bediend.

Om de trekpenopvangbus te verwijderen, draait u deze linksom. Om de trekpenopvangbus aan te brengen, draait u deze rechtsom.

► **Fig.10:** 1. Trekpenopvangbus

BEDIENING

▲LET OP: Houd uw handen en gezicht uit de buurt van de voorkant van het gereedschap. De blindknagel of afgebroken trekpen kan per ongeluk worden uitgeworpen en letsel veroorzaken.

Een blindknagel aanbrengen

▲LET OP: Voordat de trekpenopvangbus vol is, leegt u deze regelmatig door de trekpenopvangbus te verwijderen. Anders kan het gereedschap beschadigd worden en kunnen de beschadigde onderdelen letsel veroorzaken.

▲LET OP: Verzeker u ervan dat het gereedschap is uitgeschakeld voordat u een blindknagel in het neusstuk steekt. Anders kunt u letsel oplopen door de punt van het gereedschap.

▲LET OP: Laat een blindknagel niet in het neusstuk zitten. Als het gereedschap per ongeluk wordt ingeschakeld, wordt de blindknagel uitgeworpen, waardoor letsel kan ontstaan.

KENNISGEVING: Vergeet na het aanbrengen van een blindknagel niet om de afgebroken trekpen uit te werpen in de trekpenopvangbus door het gereedschap achterover te kantelen voordat u de volgende blindknagel plaatst. Als het uiteinde van de afgebroken trekpen uit het neusstuk steekt, schakelt u het gereedschap uit en verwijdert u de trekpen. Anders kunnen de afgebroken trekpenen verstopt raken en een storing in het gereedschap veroorzaken.

1. Steek de blindknagel in het neusstuk.

► **Fig.11:** 1. Blindknagel 2. Neusstuk

2. Duw de punt van het gereedschap tegen het werkstuk en knijp daarna de trekkerschakelaar in. Nadat de trekpen is afgebroken, laat u de trekkerschakelaar los.

► **Fig.12**

Voordat de trekpenopvangbus vol is, leegt u deze regelmatig door de trekpenopvangbus te verwijderen.

Leverbare blindknagels

KENNISGEVING: Het gebruik van een neusstuk, bek, bekaandrukker of pijp die niet overeenkomt met de diameter van de trekpen, kan leiden tot een slechte bevestiging, het vastlopen van de trekpen of een storing van het gereedschap.

Raadpleeg de onderstaande tabel voor de combinatie van knagel, neusstuk, bek, bekaandrukker en pijp.

OPMERKING: Sommige items in de tabel kunnen zijn inbegrepen in de doos van het gereedschap als standaard toebehoren, en sommige items in de tabel zijn leverbaar als optionele accessoires. Deze kunnen van land tot land verschillen.

Voor DRV150

Knagel		Neusstuk		Markering op bek	Bekaandrukker		Pijp	
Maat	Diameter van trekpen	Markering op neusstuk	Diameter van gat		Diameter van gat	Kleur	Diameter van gat	Kleur
ø2,4 mm (3/32")	ø1,4 - 1,6 mm	2.4	ø1,9 mm	4.8	ø1,9 mm	Grijs	ø2,2 mm	Zilver
ø3,2 mm (1/8")	ø1,8 - 2,1 mm	3.2	ø2,4 mm	4.8	ø2,5 mm	Zwart	ø2,6 mm	Zwart
ø4,0 mm (5/32")	ø2,2 - 2,6 mm	4.0	ø3,0 mm	4.8	ø3,1 mm	Grijs	Geen*	-
ø4,8 mm (3/16")	ø2,6 - 3,2 mm	4.8	ø3,6 mm	4.8	ø3,6 mm	Zwart	Geen*	-

*. De pijp is niet noodzakelijk voor de werking.

Klinknagel		Neusstuk		Markering op bek	Bekaandrukker		Pijp	
Maat	Diameter van trekpen	Markering op neusstuk	Diameter van gat		Diameter van gat	Kleur	Diameter van gat	Kleur
ø2,4 mm (3/32")	ø1,4 - 1,6 mm	2.4	ø1,9 mm	4.8	ø1,9 mm	Grijs	ø2,2 mm	Zilver
ø3,2 mm (1/8")	ø1,8 - 2,1 mm	3.2	ø2,4 mm	4.8	ø2,5 mm	Zwart	ø2,6 mm	Zwart
ø4,0 mm (5/32")	ø2,2 - 2,6 mm	4.0	ø3,0 mm	4.8	ø3,1 mm	Grijs	ø3,4 mm	Zilver
ø4,8 mm (3/16")	ø2,6 - 3,2 mm	4.8	ø3,6 mm	4.8 of 6.4	ø3,6 mm	Zwart	ø4,1 mm	Zwart
ø6,0 mm (1/4")*	ø3,1 - 3,5 mm	6.0	ø4,0 mm	6.4	ø4,0 mm	Grijs	ø4,1 mm	Zwart
ø6,4 mm (1/4")*	ø3,5 - 3,9 mm	6.4	ø4,4 mm	6.4	ø4,6 mm	Zwart	ø4,5 mm	Zilver

*. Roestvrijstalen klinknagel is niet leverbaar.

ONDERHOUD

⚠ LET OP: Zorg altijd dat het gereedschap is uitgeschakeld en de accu ervan is verwijderd alvorens te beginnen met onderhoud of inspectie.

KENNISGEVING: Gebruik nooit benzine, wasbenzine, thinner, alcohol en dergelijke. Hierdoor kunnen verkleuring, vervormingen en barsten worden veroorzaakt.

Om de VEILIGHEID en BETROUWBAARHEID van het gereedschap te handhaven, dienen alle reparaties, onderhoud of afstellingen te worden uitgevoerd bij een erkend Makita-servicecentrum of de Makita-fabriek, en altijd met gebruik van Makita-vervangingsonderdelen.

De bek en het bekhuis reinigen

Reinigingsinterval: Na elke 3.000 klinknagels

Als stof zich ophoopt, verslechtert dit de beweging van de delen van de bek en kan het de slijtage van de delen van de bek en het bekhuis versnellen. Om de bek en het bekhuis te reinigen, volgt u de onderstaande stappen.

1. Verwijder het bekhuis. Raadpleeg voor de verwijderingsprocedure de instructies voor het verwijderen van de kop.
2. Verwijder de bek uit het bekhuis.
▶ **Fig.13:** 1. Bekhuis 2. Bek
3. Reinig de bek en het bekhuis met een borstel. Verwijder metaalpoeder dat tussen de tanden op de delen van de bek zit.
4. Breng molybdeendisulfidevet gelijkmatig aan op de binnenrand van het bekhuis.
▶ **Fig.14:** 1. Gebied waar vet moet worden aangebracht 2. Bekhuis
5. Breng de bek aan in het bekhuis.
▶ **Fig.15:** 1. Bek 2. Bekhuis

KENNISGEVING: Verzeker u tijdens het aanbrengen van de bek ervan dat de punten van elk deel van de bek zijn uitgelijnd.

6. Breng het bekhuis aan. Als het vet op de punten van de bek zit, veegt u het vet af met een droge doek.
▶ **Fig.16:** 1. Gebied waar geen vet mag zitten 2. Bek
7. Breng de kop aan.
8. Veeg het vet van de bek af.

Steek een klinknagel in het neusstuk en beweeg deze omhoog en omlaag en van links naar rechts, verwijder hem uit het neusstuk en veeg daarna het vet van de klinknagel af met een droge doek. Herhaal dezelfde procedure twee of drie keer.

KENNISGEVING: Als het vet op de punten of aan de binnenkant van de bek zit, kunnen de delen van de bek verschuiven tijdens gebruik.

De bek in het bekhuis vervangen

Als de bek in het bekhuis versleten is, vervangt u deze door een nieuwe. Om de bek te vervangen, volgt u dezelfde procedure als voor het reinigen van de bek en het bekhuis. Als u een bek aanbrengt in het bekhuis, gebruikt u een nieuwe bek.

Een vastgelopen klinknagel verwijderen

Als de klinknagel is vastgelopen binnenin het gereedschap, verwijdert u deze met behulp van een handgereedschap, zoals een pin. Als de vastgelopen klinknagel moeilijk te verwijderen is, vervangt u de bekaandrukker of pijp door een nieuwe. Raadpleeg voor de vervangingsprocedure de instructies voor het aanbrengen of verwijderen van de kop.

OPTIONELE ACCESSOIRES

⚠ LET OP: Deze accessoires of hulpstukken worden aanbevolen voor gebruik met het Makita gereedschap dat in deze gebruiksaanwijzing is beschreven. Bij gebruik van andere accessoires of hulpstukken bestaat het gevaar van persoonlijke letsel. Gebruik de accessoires of hulpstukken uitsluitend voor hun bestemde doel.

Wenst u meer bijzonderheden over deze accessoires, neem dan contact op met het plaatselijke Makita-servicecentrum.

- Neusstuk
- Bekaandrukker
- Bek
- Pijp
- Vet
- Originele Makita-accu en -acculader

OPMERKING: Sommige items op de lijst kunnen zijn inbegrepen in de doos van het gereedschap als standaard toebehoren. Deze kunnen van land tot land verschillen.

ESPECIFICACIONES

Modelo:	DRV150	DRV250
Fuerza de tracción	10 kN	20 kN
Carrera	25 mm	30 mm
Longitud total	313 mm	323 mm
Tensión nominal	CC18 V	
Peso neto	1,9 - 2,2 kg	2,1 - 2,4 kg

- Debido a nuestro continuado programa de investigación y desarrollo, las especificaciones aquí dadas están sujetas a cambios sin previo aviso.
- Las especificaciones pueden ser diferentes de país a país.
- El peso puede variar dependiendo del accesorio(s), incluyendo el cartucho de batería. La combinación menos pesada y la más pesada, de acuerdo con el procedimiento EPTA 01/2014, se muestran en la tabla.

Cartucho de batería y cargador aplicables

Cartucho de batería	BL1815N / BL1820 / BL1820B / BL1830 / BL1830B / BL1840 / BL1840B / BL1850 / BL1850B / BL1860B
Cargador	DC18RC / DC18RD / DC18RE / DC18SD / DC18SE / DC18SF / DC18SH

- Algunos de los cartuchos de batería y cargadores indicados arriba puede que no estén disponibles dependiendo de su región de residencia.

⚠ADVERTENCIA: Utilice solamente los cartuchos de batería y cargadores listados arriba. La utilización de cualquier otro cartucho de batería y cargador puede ocasionar heridas y/o un incendio.

Uso previsto

La herramienta ha sido prevista para instalar remaches ciegos.

Ruido

El nivel de ruido A-ponderado típico determinado de acuerdo con la norma EN62841-1:

Modelo DRV150

Nivel de presión sonora (L_{pA}): 75 dB (A)
Error (K): 3 dB (A)

Modelo DRV250

Nivel de presión sonora (L_{pA}): 74 dB (A)
Error (K): 3 dB (A)

El nivel de ruido en situación de trabajo puede exceder 80 dB (A).

NOTA: El valor (o los valores) de emisión de ruido declarado ha sido medido de acuerdo con un método de prueba estándar y se puede utilizar para comparar una herramienta con otra.

NOTA: El valor (o valores) de emisión de ruido declarado también se puede utilizar en una valoración preliminar de exposición.

⚠ADVERTENCIA: Póngase protectores para oídos.

⚠ADVERTENCIA: La emisión de ruido durante la utilización real de la herramienta eléctrica puede variar del valor (o los valores) de emisión declarado dependiendo de las formas en las que la herramienta sea utilizada, especialmente qué tipo de pieza de trabajo se procesa.

⚠ADVERTENCIA: Asegúrese de identificar medidas de seguridad para proteger al operario que estén basadas en una estimación de la exposición en las condiciones reales de utilización (teniendo en cuenta todas las partes del ciclo operativo como las veces cuando la herramienta está apagada y cuando está funcionando en vacío además del tiempo de gatillo).

Vibración

El valor total de la vibración (suma de vectores triaxiales) determinado de acuerdo con la norma EN62841-1:

Modelo DRV150

Modo de trabajo: Instalación de remaches ciegos
Emisión de vibración (a_{hv}): 2,5 m/s² o menos
Error (K): 1,5 m/s²

Modelo DRV250

Modo de trabajo: Instalación de remaches ciegos
Emisión de vibración (a_{hv}): 2,5 m/s² o menos
Error (K): 1,5 m/s²

NOTA: El valor (o los valores) total de emisión de vibración declarado ha sido medido de acuerdo con un método de prueba estándar y se puede utilizar para comparar una herramienta con otra.

NOTA: El valor (o los valores) total de emisión de vibración declarado también se puede utilizar en una valoración preliminar de exposición.

⚠️ ADVERTENCIA: La emisión de vibración durante la utilización real de la herramienta eléctrica puede variar del valor (o los valores) de emisión declarado dependiendo de las formas en las que la herramienta sea utilizada, especialmente qué tipo de pieza de trabajo se procesa.

⚠️ ADVERTENCIA: Asegúrese de identificar medidas de seguridad para proteger al operario que estén basadas en una estimación de la exposición en las condiciones reales de utilización (teniendo en cuenta todas las partes del ciclo operativo como las veces cuando la herramienta está apagada y cuando está funcionando en vacío además del tiempo de gatillo).

Declaración CE de conformidad

Para países europeos solamente

La declaración CE de conformidad está incluida como Anexo A de esta manual de instrucciones.

ADVERTENCIAS DE SEGURIDAD

Advertencias de seguridad para herramientas eléctricas en general

⚠️ ADVERTENCIA: Lea todas las advertencias de seguridad, instrucciones, ilustraciones y especificaciones provistas con esta herramienta eléctrica. Si no sigue todas las instrucciones indicadas abajo podrá resultar en una descarga eléctrica, un incendio y/o heridas graves.

Guarde todas las advertencias e instrucciones para futuras referencias.

El término "herramienta eléctrica" en las advertencias se refiere a su herramienta eléctrica de funcionamiento con conexión a la red eléctrica (con cable) o herramienta eléctrica de funcionamiento a batería (sin cable).

Advertencias de seguridad para la pistola remachadora inalámbrica

1. Sujete la herramienta firmemente.
2. Mantenga las manos alejadas de las partes en movimiento.
3. Asegúrese siempre de que tiene suelo firme. Asegúrese de que no haya nadie debajo cuando utilice la herramienta en lugares altos.
4. Tenga cuidado de no dejar caer el mandril quebrado desde lugares altos. En caso contrario podrá ocasionar un accidente o heridas.
5. No esparza por el suelo los mandriles quebrados. Podría herirse con el extremo cortante del mandril quebrado o resbalándose al pisar el mandril.
6. No apunte la herramienta hacia una persona o hacia usted cuando utilice la herramienta. El remache o el mandril quebrado puede ser expulsado accidentalmente, y causarle heridas.

Instrucciones de seguridad importantes para el cartucho de batería

1. Antes de utilizar el cartucho de batería, lea todas las instrucciones e indicaciones de precaución sobre (1) el cargador de baterías, (2) la batería, y (3) el producto con el que se utiliza la batería.
2. No desarme el cartucho de batería.
3. Si el tiempo de uso se acorta demasiado, cese la operación inmediatamente. Podría resultar en un riesgo de recalentamiento, posibles quemaduras e incluso una explosión.
4. Si entra electrólito en sus ojos, aclárelos con agua limpia y acuda a un médico inmediatamente. Existe el riesgo de poder perder la vista.
5. No cortocircuite el cartucho de batería:
 - (1) No toque los terminales con ningún material conductor.
 - (2) Evite guardar el cartucho de batería en un cajón junto con otros objetos metálicos, como clavos, monedas, etc.
 - (3) No exponga el cartucho de batería al agua ni a la lluvia.Un cortocircuito en la batería puede producir una gran circulación de corriente, un recalentamiento, posibles quemaduras e incluso una rotura de la misma.
6. No guarde la herramienta y el cartucho de batería en lugares donde la temperatura pueda alcanzar o exceder los 50 °C.
7. Nunca incinere el cartucho de batería incluso en el caso de que esté dañado seriamente o ya no sirva en absoluto. El cartucho de batería puede explotar si se tira al fuego.
8. Tenga cuidado de no dejar caer ni golpear el cartucho de batería.
9. No utilice una batería dañada.

10. **Las baterías de litio-ion contenidas están sujetas a los requisitos de la Legislación para Materiales Peligrosos.**
Para transportes comerciales, p.ej., por terceras personas y agentes de transportes, se deberán observar requisitos especiales para el empaquetado y etiquetado.
Para la preparación del artículo que se va a enviar, se requiere consultar con un experto en materiales peligrosos. Por favor, observe también la posibilidad de reglamentos nacionales más detallados.
Cubra con cinta aislante o enmascare los contactos expuestos y empaquete la batería de tal manera que no se pueda mover alrededor dentro del embalaje.
11. **Para desechar el cartucho de batería, retírelo de la herramienta y deséchelo en un lugar seguro. Siga los reglamentos locales referentes al desecho de la batería.**
12. **Utilice las baterías solamente con los productos especificados por Makita.** La instalación de las baterías en productos no compatibles puede resultar en un incendio, calor excesivo, explosión, o fuga de electrolito.
13. **Si la herramienta no va a ser utilizada durante un periodo de tiempo largo, la batería deberá ser retirada de la herramienta.**

GUARDE ESTAS INSTRUCCIONES.

⚠PRECAUCIÓN: Utilice solamente baterías genuinas de Makita. La utilización de baterías no genuinas de Makita, o baterías que han sido alteradas, puede resultar en una explosión de la batería ocasionando incendios, heridas personales y daños. También anulará la garantía de Makita para la herramienta y el cargador de Makita.

Consejos para alargar al máximo la vida de servicio de la batería

1. **Cargue el cartucho de batería antes de que se descargue completamente. Detenga siempre la operación y cargue el cartucho de batería cuando note menos potencia en la herramienta.**
2. **No cargue nunca un cartucho de batería que esté completamente cargado. La sobrecarga acortará la vida de servicio de la batería.**
3. **Cargue el cartucho de batería a temperatura ambiente de 10 °C - 40 °C. Si un cartucho de batería está caliente, déjelo enfriar antes de cargarlo.**
4. **Cargue el cartucho de batería si no lo utiliza durante un periodo de tiempo prolongado (más de seis meses).**

DESCRIPCIÓN DEL FUNCIONAMIENTO

⚠PRECAUCIÓN: Asegúrese siempre de que la herramienta está apagada y el cartucho de batería retirado antes de realizar cualquier ajuste o comprobación en la herramienta.

Instalación o extracción del cartucho de batería

⚠PRECAUCIÓN: Apague siempre la herramienta antes de instalar o retirar el cartucho de batería.

⚠PRECAUCIÓN: Sujete la herramienta y el cartucho de batería firmemente cuando instale o retire el cartucho de batería. Si no sujeta la herramienta y el cartucho de batería firmemente podrán caérsele de las manos y resultar en daños a la herramienta y al cartucho de batería y heridas personales.

► Fig.1: 1. Indicador rojo 2. Botón 3. Cartucho de batería

Para retirar el cartucho de batería, deslícelo de la herramienta mientras desliza el botón de la parte frontal del cartucho.

Para instalar el cartucho de batería, alinee la lengüeta del cartucho de batería con la ranura de la carcasa y deslícelo hasta que encaje en su sitio. Insértelo a tope hasta que se bloquee en su sitio produciendo un pequeño chasquido. Si puede ver el indicador rojo en el lado superior del botón, no estará bloqueado completamente.

⚠PRECAUCIÓN: Instale siempre el cartucho de batería completamente hasta que no pueda verse el indicador rojo. En caso contrario, podrá caerse accidentalmente de la herramienta y ocasionarle heridas a usted o a alguien que esté cerca de usted.

⚠PRECAUCIÓN: No instale el cartucho de batería empleando fuerza. Si el cartucho no se desliza al interior fácilmente, será porque no está siendo insertado correctamente.

Modo de indicar la capacidad de batería restante

Solamente para cartuchos de batería con el indicador

► Fig.2: 1. Lámparas indicadoras 2. Botón de comprobación

Presione el botón de comprobación en el cartucho de batería para indicar la capacidad de batería restante. Las lámparas indicadoras se iluminan durante unos pocos segundos.

Lámparas indicadoras			Capacidad restante
Iluminada	Apagada	Parpadeando	
			75% a 100%
			50% a 75%
			25% a 50%
			0% a 25%
			Cargue la batería.
			Puede que la batería no esté funcionando bien.

NOTA: Dependiendo de las condiciones de utilización y de la temperatura ambiente, la indicación podrá variar ligeramente de la capacidad real.

Sistema de protección de la herramienta / batería

La herramienta está equipada con un sistema de protección de la herramienta/batería. Este sistema corta automáticamente la alimentación al motor para alargar la vida de servicio de la herramienta y la batería. La herramienta se detendrá automáticamente durante la operación si la herramienta o la batería es puesta en una de las condiciones siguientes:

Protección contra sobrecarga

Cuando la batería sea operada de manera que le haga extraer una corriente anormalmente alta, la herramienta se detendrá automáticamente sin ninguna indicación. En esta situación, apague la herramienta y detenga la aplicación que ocasiona la sobrecarga de la herramienta. Después encienda la herramienta para volver a empezar.

Protección contra el recalentamiento

Cuando la herramienta o la batería se recalienta, la herramienta se detiene automáticamente y la lámpara parpadea. En este caso, deje que la herramienta y la batería se enfríen antes de encender la herramienta otra vez.

Protección contra descarga excesiva

Cuando la capacidad de batería no es suficiente, la herramienta se detiene automáticamente. En este caso, retire la batería de la herramienta y cargue la batería.

Accionamiento del interruptor

⚠ADVERTENCIA: Antes de insertar el cartucho de batería en la herramienta, compruebe siempre para cerciorarse de que el gatillo interruptor se acciona debidamente y que vuelve a la posición "OFF" cuando lo suelta.

► Fig.3: 1. Gatillo interruptor

Para poner en marcha la herramienta, simplemente apriete el gatillo interruptor. Cuando libere el gatillo interruptor, la herramienta se detendrá y después volverá a la posición inicial.

La herramienta puede que no vuelva a la posición inicial en los casos siguientes. Devuelva la herramienta a su posición inicial apretando y liberando el gatillo interruptor antes de operar la herramienta.

- Cuando utilice la herramienta por primera vez.
- Después de reemplazar el cartucho de batería.
- Cuando la herramienta se detenga debido a una sobrecarga.
- Después de realizar el mantenimiento.

Encendido de la lámpara delantera

► Fig.4: 1. Lámpara

⚠PRECAUCIÓN: No mire a la luz ni vea la fuente de luz directamente.

Apriete el gatillo interruptor para encender la lámpara. La lámpara seguirá encendida mientras el gatillo interruptor esté siendo apretado. La lámpara se apagará 10 segundos aproximadamente después de soltar el gatillo interruptor.

NOTA: Utilice un paño seco para quitar la suciedad de la lente de la lámpara. Tenga cuidado de no rayar la lente de la lámpara, porque podrá disminuir la iluminación.

MONTAJE

⚠PRECAUCIÓN: Asegúrese siempre de que la herramienta está apagada y el cartucho de batería retirado antes de realizar cualquier trabajo en la herramienta.

Instalación o desmontaje del conjunto del cabezal

Para retirar el conjunto del cabezal, siga los pasos de abajo.

1. Afloje la tuerca del cabezal, y después retire el cabezal.

► Fig.5: 1. Tuerca 2. Cabezal

2. Afloje la boquilla con una llave mientras sujeta el cabezal con otra llave.

► Fig.6: 1. Boquilla 2. Cabezal

3. Afloje la caja de quijadas con una llave mientras sujeta el acoplador con otra llave.

► **Fig.7:** 1. Caja de quijadas 2. Acoplador

4. Retire el empujador de quijada, el resorte, y el tubo.

► **Fig.8:** 1. Empujador de quijada 2. Resorte 3. Tubo

AVISO: Cuando instale el empujador de quijada, asegúrese de colocar el resorte en el empujador de quijada.

Para instalar el conjunto del cabezal, realice el procedimiento de desmontaje a la inversa. Asegúrese de apretar la caja de quijadas y la boquilla con dos llaves firmemente.

Gancho

⚠PRECAUCIÓN: Retire siempre la batería cuando cuelgue la herramienta con el gancho.

⚠PRECAUCIÓN: No cuelgue nunca la herramienta en un lugar alto o superficie potencialmente inestable.

⚠PRECAUCIÓN: Cuando cuelgue la herramienta con el gancho, cuélguela con cuidado. De lo contrario, la herramienta podrá caerse y ocasionar heridas.

► **Fig.9:** 1. Ranura 2. Gancho 3. Tornillo

El gancho resulta útil para colgar la herramienta temporalmente. Se puede instalar en cualquiera de los lados de la herramienta.

Para instalar el gancho, insértelo en una ranura de cualquiera de los lados de la carcasa de la herramienta y después sujételo con un tornillo. Para retirarlo, afloje el tornillo y después sáquelo.

Instalación o desmontaje del recogedor de mandriles

AVISO: Asegúrese de instalar el recogedor de mandriles en la herramienta antes de utilizar la herramienta. Si el recogedor de mandriles no está instalado en la herramienta, la herramienta no se pondrá en marcha.

Para retirar el recogedor de mandriles, gírelo hacia la izquierda. Para instalar el recogedor de mandriles, gírelo hacia la derecha.

► **Fig.10:** 1. Recogedor de mandriles

OPERACIÓN

⚠PRECAUCIÓN: Mantenga la mano o la cara alejada de la parte delantera de la herramienta. El remache o el mandril quebrado puede ser expulsado accidentalmente, y causarle heridas.

Instalación de un remache ciego

⚠PRECAUCIÓN: Antes de que el recogedor de mandriles se llene, vacíelo de modo regular retirando el recogedor de mandriles. De lo contrario, la herramienta podrá dañarse, y las partes dañadas podrán ocasionar heridas.

⚠PRECAUCIÓN: Cuando vaya a insertar un remache ciego en la boquilla, asegúrese de apagar la herramienta. De lo contrario, podrá herirse con la punta de la herramienta.

⚠PRECAUCIÓN: No deje el remache ciego en la boquilla. Si la herramienta se enciende accidentalmente, el remache ciego será expulsado y podrá ocasionar heridas.

AVISO: Después de instalar un remache ciego, asegúrese de expulsar el mandril quebrado al interior del recogedor de mandriles inclinando la herramienta hacia atrás antes de instalar el siguiente remache ciego. Si el extremo del mandril quebrado sobresale de la boquilla, apague la herramienta y retire el mandril. De lo contrario, los mandriles quebrados podrán atascarse y ocasionar un mal funcionamiento de la herramienta.

1. Inserte el remache ciego en la boquilla.

► **Fig.11:** 1. Remache ciego 2. Boquilla

2. Presione la punta de la herramienta contra la pieza de trabajo, y después apriete el gatillo interruptor. Después de que el mandril se haya quebrado, suelte el gatillo interruptor.

► **Fig.12**

Antes de que el recogedor de mandriles se llene, vacíelo de modo regular retirando el recogedor de mandriles.

Remaches ciegos disponibles

AVISO: La utilización de una boquilla, quijada, empujador de quijada, o tubo que no corresponda con el diámetro del mandril podrá ocasionar un apriete deficiente, atasco del mandril, o un mal funcionamiento de la herramienta.

Consulte la tabla de abajo para ver la combinación de remache, boquilla, quijada, empujador de quijada, y tubo.

NOTA: Algunos elementos de la tabla podrán estar incluidos en el paquete de la herramienta como accesorios estándar y algunos elementos de la tabla se proveen como accesorios opcionales. Pueden variar de un país a otro.

Para DRV150

Remache		Boquilla		Marca en la quijada	Empujador de quijada		Tubo	
Tamaño	Diámetro del mandril	Marca en la boquilla	Diámetro del agujero		Diámetro del agujero	Color	Diámetro del agujero	Color
ø2,4 mm (3/32")	ø1,4 - 1,6 mm	2.4	ø1,9 mm	4.8	ø1,9 mm	Gris	ø2,2 mm	Plateado
ø3,2 mm (1/8")	ø1,8 - 2,1 mm	3.2	ø2,4 mm	4.8	ø2,5 mm	Negro	ø2,6 mm	Negro
ø4,0 mm (5/32")	ø2,2 - 2,6 mm	4.0	ø3,0 mm	4.8	ø3,1 mm	Gris	Ninguno *	-
ø4,8 mm (3/16")	ø2,6 - 3,2 mm	4.8	ø3,6 mm	4.8	ø3,6 mm	Negro	Ninguno *	-

*. El tubo no es necesario para la operación.

Para DRV250

Remache		Boquilla		Marca en la quijada	Empujador de quijada		Tubo	
Tamaño	Diámetro del mandril	Marca en la boquilla	Diámetro del agujero		Diámetro del agujero	Color	Diámetro del agujero	Color
ø2,4 mm (3/32")	ø1,4 - 1,6 mm	2.4	ø1,9 mm	4.8	ø1,9 mm	Gris	ø2,2 mm	Plateado
ø3,2 mm (1/8")	ø1,8 - 2,1 mm	3.2	ø2,4 mm	4.8	ø2,5 mm	Negro	ø2,6 mm	Negro
ø4,0 mm (5/32")	ø2,2 - 2,6 mm	4.0	ø3,0 mm	4.8	ø3,1 mm	Gris	ø3,4 mm	Plateado
ø4,8 mm (3/16")	ø2,6 - 3,2 mm	4.8	ø3,6 mm	4.8 o 6.4	ø3,6 mm	Negro	ø4,1 mm	Negro
ø6,0 mm (1/4") *	ø3,1 - 3,5 mm	6.0	ø4,0 mm	6.4	ø4,0 mm	Gris	ø4,1 mm	Negro
ø6,4 mm (1/4") *	ø3,5 - 3,9 mm	6.4	ø4,4 mm	6.4	ø4,6 mm	Negro	ø4,5 mm	Plateado

*. No hay disponible remache de acero inoxidable.

MANTENIMIENTO

⚠PRECAUCIÓN: Asegúrese siempre de que la herramienta está apagada y de que el cartucho de batería está retirado antes de intentar hacer una inspección o mantenimiento.

AVISO: No utilice nunca gasolina, bencina, disolvente, alcohol o similares. Podría producir descoloración, deformación o grietas.

Para mantener la SEGURIDAD y FIABILIDAD del producto, las reparaciones, y cualquier otra tarea de mantenimiento o ajuste deberán ser realizadas en centros de servicio o de fábrica autorizados por Makita, empleando siempre repuestos Makita.

Limpieza de las quijadas y caja de quijadas

Intervalo de limpieza: Cada 3.000 instalaciones de remache

Si el polvo se acumula, deteriorará el movimiento de las quijadas y podrá acelerar el desgaste de las quijadas y la caja de quijadas. Para limpiar las quijadas y la caja de quijadas, siga los pasos de abajo.

1. Retire la caja de quijadas. Para el procedimiento de desmontaje, consulte las instrucciones de desmontaje para el conjunto del cabezal.

2. Retire las quijadas de la caja de quijadas.

► Fig.13: 1. Caja de quijadas 2. Quijada

3. Limpie las quijadas y la caja de quijadas con un cepillo. Retire las partículas metálicas atascadas entre los dientes de las quijadas.

4. Aplique grasa a base de bisulfuro de molibdeno uniformemente a la periferia interior de la caja de quijadas.

► **Fig.14:** 1. Área donde aplicar grasa 2. Caja de quijadas

5. Instale las quijadas en la caja de quijadas.

► **Fig.15:** 1. Quijada 2. Caja de quijadas

AVISO: Cuando instale las quijadas, asegúrese de alinear las puntas de las quijadas.

6. Instale la caja de quijadas. Si la grasa se adhiere a las puntas de las quijadas, limpie la grasa con un paño seco.

► **Fig.16:** 1. Área donde no debe haber grasa adherida 2. Quijada

7. Instale el conjunto del cabezal.

8. Limpie la grasa de las quijadas.

Inserte un remache en la boquilla, después muévalo hacia arriba y hacia abajo, y hacia la izquierda y hacia la derecha, después retírelo de la boquilla, y después limpie la grasa del remache con un paño seco. Repita el mismo procedimiento dos o 3 veces.

AVISO: Si la grasa está adherida en la punta o dentro de la quijada, las quijadas podrán deslizarse durante la operación.

Reemplazo de las quijadas en la caja de quijadas

Si las quijadas en la caja de quijadas están inservibles, reemplácelas con unas nuevas. Para reemplazar las quijadas, siga el mismo procedimiento que para limpiar las quijadas y la caja de quijadas. Cuando instale quijadas en la caja de quijadas, instale quijadas nuevas.

Para retirar los remaches atascados

Si el remache se atasca dentro de la herramienta, retírelo utilizando una herramienta tal como un pasador. Si resulta difícil retirar el remache atascado, reemplace el empujador de quijada o el tubo con uno nuevo. Para el procedimiento de reemplazo, consulte las instrucciones para instalar o desmontar el conjunto del cabezal.

ACCESORIOS OPCIONALES

PRECAUCIÓN: Estos accesorios o aditamentos están recomendados para su uso con la herramienta Makita especificada en este manual. El uso de cualquier otro accesorio o aditamento puede suponer un riesgo de heridas personales. Utilice el accesorio o aditamento solamente con la finalidad indicada para el mismo.

Si necesita cualquier ayuda para más detalles en relación con estos accesorios, pregunte al centro de servicio Makita local.

- Boquilla
- Empujador de quijada
- Quijada
- Tubo
- Grasa
- Batería y cargador genuinos de Makita

NOTA: Algunos elementos de la lista podrán estar incluidos en el paquete de la herramienta como accesorios estándar. Pueden variar de un país a otro.

ESPECIFICAÇÕES

Modelo:	DRV150	DRV250
Força de tração	10 kN	20 kN
Curso	25 mm	30 mm
Comprimento geral	313 mm	323 mm
Tensão nominal	C.C. 18 V	
Peso líquido	1,9 - 2,2 kg	2,1 - 2,4 kg

- Devido a um programa contínuo de pesquisa e desenvolvimento, estas especificações estão sujeitas a alteração sem aviso prévio.
- As especificações podem variar de país para país.
- O peso poderá diferir em função do acessório(s), incluindo a bateria. A combinação mais leve e mais pesada, de acordo com o Procedimento EPTA 01/2014, é apresentada na tabela.

Bateria e carregador aplicável

Bateria	BL1815N / BL1820 / BL1820B / BL1830 / BL1830B / BL1840 / BL1840B / BL1850 / BL1850B / BL1860B
Carregador	DC18RC / DC18RD / DC18RE / DC18SD / DC18SE / DC18SF / DC18SH

- Algumas das baterias e carregadores listados acima poderão não estar disponíveis, dependendo da sua região de residência.

⚠AVISO: Utilize apenas as baterias e carregadores listados acima. A utilização de quaisquer outras baterias e carregadores pode causar ferimentos e/ou um incêndio.

Utilização prevista

A ferramenta destina-se à instalação de rebite cego.

Ruído

A característica do nível de ruído A determinado de acordo com a EN62841-1:

Modelo DRV150

Nível de pressão acústica (L_{pA}): 75 dB (A)

Variabilidade (K): 3 dB (A)

Modelo DRV250

Nível de pressão acústica (L_{pA}): 74 dB (A)

Variabilidade (K): 3 dB (A)

O nível de ruído durante o funcionamento pode exceder 80 dB (A).

NOTA: O(s) valor(es) da emissão de ruído indicado(s) foi medido de acordo com um método de teste padrão e pode ser utilizado para comparar duas ferramentas.

NOTA: O(s) valor(es) da emissão de ruído indicado(s) pode também ser utilizado na avaliação preliminar da exposição.

⚠AVISO: Utilize protetores auriculares.

⚠AVISO: A emissão de ruído durante a utilização real da ferramenta elétrica pode diferir do(s) valor(es) indicado(s), dependendo das formas como a ferramenta é utilizada, especialmente o tipo de peça de trabalho que é processada.

⚠AVISO: Certifique-se de identificar as medidas de segurança para proteção do operador que sejam baseadas em uma estimativa de exposição em condições reais de utilização (considerando todas as partes do ciclo de operação, tal como quando a ferramenta está desligada e quando está a funcionar em marcha lenta além do tempo de acionamento).

Vibração

Valor total da vibração (soma vetorial tri-axial) determinado de acordo com a EN62841-1:

Modelo DRV150

Modo de trabalho: Instalar rebite cego

Emissão de vibração (a_{h1}): 2,5 m/s² ou menos

Variabilidade (K): 1,5 m/s²

Modelo DRV250

Modo de trabalho: Instalar rebite cego

Emissão de vibração (a_{h1}): 2,5 m/s² ou menos

Variabilidade (K): 1,5 m/s²

NOTA: O(s) valor(es) total(ais) de vibração indicado(s) foi medido de acordo com um método de teste padrão e pode ser utilizado para comparar duas ferramentas.

NOTA: O(s) valor(es) total(ais) de vibração indicado(s) pode também ser utilizado na avaliação preliminar da exposição.

⚠️ AVISO: A emissão de vibração durante a utilização real da ferramenta elétrica pode diferir do(s) valor(es) indicado(s), dependendo das formas como a ferramenta é utilizada, especialmente o tipo de peça de trabalho que é processada.

⚠️ AVISO: Certifique-se de identificar as medidas de segurança para proteção do operador que sejam baseadas em uma estimativa de exposição em condições reais de utilização (considerando todas as partes do ciclo de operação, tal como quando a ferramenta está desligada e quando está a funcionar em marcha lenta além do tempo de acionamento).

Declaração de conformidade da CE

Apenas para os países europeus

A declaração de conformidade da CE está incluída como Anexo A neste manual de instruções.

AVISOS DE SEGURANÇA

Avisos gerais de segurança para ferramentas elétricas

⚠️ AVISO: Leia todos os avisos de segurança, instruções, ilustrações e especificações fornecidos com esta ferramenta elétrica. O não cumprimento de todas as instruções indicadas em baixo pode resultar em choque elétrico, incêndio e/ou ferimentos graves.

Guarde todos os avisos e instruções para futuras referências.

O termo "ferramenta elétrica" nos avisos refere-se às ferramentas elétricas ligadas à corrente elétrica (com cabo) ou às ferramentas elétricas operadas por meio de bateria (sem cabo).

Avisos de segurança do rebitador a bateria

1. **Segure a ferramenta com firmeza.**
2. **Mantenha as mãos afastadas das partes em movimento.**
3. **Assegure sempre uma posição firme.** Certifique-se de que ninguém se encontra sob locais elevados quando utiliza a ferramenta nestes locais.
4. **Tenha cuidado para não deixar cair o mandril desmontado de locais elevados.** Fazê-lo pode causar um acidente ou lesão.
5. **Não espalhe os mandris desmontados no chão.** Pode ferir-se com a extremidade afiada do mandril desmontado ou ao escorregar no mandril.
6. **Não aponte a ferramenta na direção de uma pessoa nem na sua própria direção quando a operar.** O rebite ou o mandril desmontado podem ser acidentalmente ejetados e pode ferir-se.

Instruções de segurança importantes para a bateria

1. **Antes de utilizar a bateria, leia todas as instruções e etiquetas de precaução no (1) carregador de bateria (2) bateria e (3) produto que utiliza a bateria.**
2. **Não abra a bateria.**
3. **Se o tempo de funcionamento se tornar excessivamente curto, pare o funcionamento imediatamente.** Pode resultar em sobreaquecimento, possíveis queimaduras e mesmo explosão.
4. **Se entrar eletrólito nos seus olhos, lave-os com água e consulte imediatamente um médico.** Pode resultar em perda de visão.
5. **Não coloque a bateria em curto-circuito:**
 - (1) **Não toque nos terminais com qualquer material condutor.**
 - (2) **Evite guardar a bateria juntamente com outros objetos metálicos tais como pregos, moedas, etc.**
 - (3) **Não exponha a bateria à água ou chuva.** Um curto-circuito pode ocasionar um enorme fluxo de corrente, sobreaquecimento, possíveis queimaduras e mesmo estragar-se.
6. **Não guarde a ferramenta e a bateria em locais onde a temperatura pode atingir ou exceder 50°C.**
7. **Não queime a bateria mesmo que esteja estragada ou completamente gasta.** A bateria pode explodir no fogo.
8. **Tenha cuidado para não deixar cair ou dar pancadas na bateria.**
9. **Não utilize uma bateria danificada.**
10. **As baterias de íões de lítio contidas na ferramenta são sujeitas aos requisitos da DGL (Dangerous Goods Legislation - Legislação de bens perigosos).**

Para o transporte comercial, por exemplo, por terceiros ou agentes de expedição, têm de ser observados os requisitos referentes à embalagem e etiquetagem.

Para preparação do artigo a ser expedido, é necessário consultar um perito em materiais perigosos. Tenha ainda em conta a possibilidade de existirem regulamentos nacionais mais detalhados.

Coloque fita-cola ou tape os contactos abertos e embale a bateria de tal forma que não possa mover-se dentro da embalagem.
11. **Quando eliminar a bateria, remova-a da ferramenta e elimine-a num local seguro.** Siga os regulamentos locais relacionados com a eliminação de baterias.
12. **Utilize as baterias apenas com os produtos especificados pela Makita.** Instalar as baterias em produtos não-conformes poderá resultar num incêndio, calor excessivo, explosão ou fuga de eletrólito.
13. **Se a ferramenta não for utilizada durante um período de tempo prolongado, a bateria deve ser removida da ferramenta.**

GUARDE ESTAS INSTRUÇÕES.

⚠️ PRECAUÇÃO: Utilize apenas baterias genuínas da Makita. A utilização de baterias não genuínas da Makita ou de baterias que foram alteradas, pode resultar no rebentamento da bateria provocando incêndios, ferimentos pessoais e danos. Além disso, anulará da garantia da Makita no que se refere à ferramenta e ao carregador Makita.

Conselhos para manter a máxima vida útil da bateria

1. Carregue a bateria antes que esteja completamente descarregada. Pare sempre o funcionamento da ferramenta e carregue a bateria quando notar menos poder na ferramenta.
2. Nunca carregue uma bateria completamente carregada. Carregamento excessivo diminui a vida útil da bateria.
3. Carregue a bateria à temperatura ambiente de 10°C – 40°C. Deixe que uma bateria quente arrefeça antes de a carregar.
4. Carregue a bateria se não a utilizar durante um longo período de tempo (mais de seis meses).

DESCRIÇÃO FUNCIONAL

⚠️ PRECAUÇÃO: Certifique-se sempre de que a ferramenta está desligada e a bateria foi retirada antes de regular ou verificar qualquer função na ferramenta.

Instalação ou remoção da bateria

⚠️ PRECAUÇÃO: Desligue sempre a ferramenta antes de colocar ou retirar a bateria.

⚠️ PRECAUÇÃO: Segure firmemente a ferramenta e a bateria quando instalar ou remover a bateria. Se não segurar firmemente a ferramenta e a bateria pode fazer com que escorreguem das suas mãos resultando em danos na ferramenta e na bateria e ferimentos pessoais.

► Fig.1: 1. Indicador vermelho 2. Botão 3. Bateria

Para retirar a bateria, deslize-a para fora da ferramenta enquanto desliza o botão na frente da bateria.

Para instalar a bateria, alinhe a lingueta da bateria com a ranhura no compartimento e deslize-a no lugar. Empurre-a até o fim para que a mesma encaixe no lugar com um clique. Se puder ver a parte vermelha no lado superior do botão, significa que não está completamente bloqueada.

⚠️ PRECAUÇÃO: Instale sempre a bateria até ao fim, até deixar de ver o indicador vermelho. Caso contrário, a bateria poderá cair da ferramenta acidentalmente e provocar ferimentos em si mesmo ou em alguém próximo.

⚠️ PRECAUÇÃO: Não instale a bateria à força. Se a bateria não deslizar facilmente é porque não foi colocada corretamente.

Indicação da capacidade restante da bateria

Apenas para baterias com indicador

► Fig.2: 1. Luzes indicadoras 2. Botão de verificação

Primeira o botão de verificação na bateria para indicar a capacidade restante da bateria. As luzes indicadoras acendem durante alguns segundos.

Luzes indicadoras			Capacidade restante
Acaso	Apagado	A piscar	
			75% a 100%
			50% a 75%
			25% a 50%
			0% a 25%
			Carregar a bateria.
			A bateria pode estar avariada.

NOTA: Dependendo das condições de utilização e da temperatura ambiente, a indicação pode ser ligeiramente diferente da capacidade real.

Sistema de proteção da ferramenta/bateria

A ferramenta está equipada com um sistema de proteção da ferramenta/bateria. Este sistema corta automaticamente a corrente para o motor para aumentar a vida da ferramenta e da bateria. A ferramenta para automaticamente durante o funcionamento se a ferramenta ou bateria for colocada mediante uma das seguintes condições:

Proteção contra sobrecarga

Quando a bateria é operada de forma a puxar uma corrente anormalmente elevada, a ferramenta para automaticamente sem qualquer indicação. Nesse caso, desligue a ferramenta e pare a operação que provocou a sobrecarga da ferramenta. Em seguida, volte a ligar a ferramenta para a reiniciar.

Proteção contra sobreaquecimento

Quando a ferramenta ou a bateria estiver sobreaquecida, a ferramenta para automaticamente e a lâmpada pisca. Neste caso, deixe a ferramenta e a bateria arrefecerem antes de ligar novamente a ferramenta.

Proteção contra descarga excessiva

Quando a capacidade da bateria não é suficiente, a ferramenta para automaticamente. Neste caso, remova a bateria da ferramenta e carregue a bateria.

Ação do interruptor

⚠️ AVISO: Antes de colocar a bateria na ferramenta, verifique sempre se o gatilho do interruptor funciona corretamente e volta para a posição “OFF” quando libertado.

► Fig.3: 1. Gatilho do interruptor

Para iniciar a ferramenta, carregue simplesmente no gatilho do interruptor. Quando soltar o gatilho do interruptor, a ferramenta para e retorna à posição inicial.

A ferramenta pode não estar na posição inicial nos seguintes casos. Volte a colocar a ferramenta na posição inicial puxando e soltando o gatilho do interruptor antes de operar a ferramenta.

- Quando utilizar a ferramenta pela primeira vez.
- Depois de substituir a bateria.
- Quando a ferramenta para devido a sobrecarga.
- Depois de realizar a manutenção.

Acender a lâmpada da frente

► Fig.4: 1. Lâmpada

⚠️ PRECAUÇÃO: Não olhe para a luz ou para a fonte de iluminação diretamente.

Puxe o gatilho do interruptor para acender a lâmpada. A lâmpada mantém-se acesa enquanto o gatilho do interruptor estiver a ser premido. A lâmpada apaga-se aproximadamente 10 segundos após soltar o gatilho do interruptor.

NOTA: Utilize um pano seco para limpar a sujidade da lente da lâmpada. Tenha cuidado para não riscar a lente da lâmpada ou a iluminação pode ficar enfraquecida.

MONTAGEM

⚠️ PRECAUÇÃO: Certifique-se sempre de que a ferramenta está desligada e a bateria retirada antes de executar qualquer trabalho na ferramenta.

Instalar ou remover o conjunto da cabeça

Siga os passos seguintes para remover o conjunto da cabeça.

1. Solte a porca da cabeça e, em seguida, remova a cabeça.

► Fig.5: 1. Porca 2. Cabeça

2. Desaperte a ponteira com uma chave enquanto segura a cabeça com outra chave.

► Fig.6: 1. Ponteira 2. Cabeça

3. Desaperte a caixa do mordente com uma chave enquanto segura a junta com outra chave.

► Fig.7: 1. Caixa do mordente 2. Junta

4. Remova o empurrador do mordente, a mola e o tubo.

► Fig.8: 1. Empurrador do mordente 2. Mola 3. Tubo

OBSERVAÇÃO: Quando instalar o empurrador do mordente, certifique-se de que prende a mola ao empurrador do mordente.

Para instalar o conjunto da cabeça, execute o procedimento de remoção na ordem inversa. Certifique-se de que aperta a caixa do mordente e a ponteira com duas chaves firmemente.

Gancho

⚠️ PRECAUÇÃO: Remova sempre a bateria quando pendurar a ferramenta com o gancho.

⚠️ PRECAUÇÃO: Nunca pendure a ferramenta num local elevado ou numa superfície potencialmente instável.

⚠️ PRECAUÇÃO: Quando pendurar a ferramenta com o gancho, pendure-a cuidadosamente. Caso contrário, a ferramenta pode cair e causar uma lesão.

► Fig.9: 1. Ranhura 2. Gancho 3. Parafuso

O gancho é conveniente para pendurar a ferramenta temporariamente. Este pode ser instalado em ambos os lados da ferramenta.

Para instalar o gancho, insira-o numa ranhura no compartimento da ferramenta em qualquer um dos lados e fixe-o com um parafuso. Para removê-lo, solte o parafuso e, de seguida, remova-o.

Instalar ou remover o contentor do mandril

OBSERVAÇÃO: Certifique-se de que instala o contentor do mandril na ferramenta antes de utilizar a ferramenta. Se o contentor do mandril não estiver instalado na ferramenta, a ferramenta não irá operar.

Para remover o contentor do mandril, rode-o para a esquerda. Para instalar o contentor do mandril, rode-o para a direita.

► Fig.10: 1. Contentor do mandril

OPERAÇÃO

⚠️ PRECAUÇÃO: Mantenha a mão ou o rosto afastados da parte da frente da ferramenta. O rebite ou o mandril desmontado podem ser acidentalmente ejetados e pode ferir-se.

Instalar um rebite cego

⚠️ PRECAUÇÃO: Antes de o contentor do mandril encher, esvazie-o regularmente ao remover o contentor do mandril. Caso contrário, a ferramenta pode ficar danificada e as peças danificadas podem causar uma lesão.

⚠️ PRECAUÇÃO: Quando inserir um rebite cego na ponteira, certifique-se de que desliga a ferramenta. Caso contrário, pode lesionar-se com a ponta da ferramenta.

⚠️ PRECAUÇÃO: Não deixe um rebite cego na ponteira. Se a ferramenta for ligada acidentalmente, o rebite cego é ejetado e pode provocar ferimentos.

OBSERVAÇÃO: Após instalar um rebite cego, certifique-se de que ejeta o mandril desmontado no contentor do mandril inclinando a ferramenta para trás antes de instalar o rebite cego seguinte. Se a extremidade do mandril desmontado sobresair da ponteira, desligue a ferramenta e remova o mandril. Caso contrário, os mandris desmontados podem ficar obstruídos e causar uma anomalia da ferramenta.

1. Insira o rebite cego na ponteira.

▶ Fig.11: 1. Rebite cego 2. Ponteira

2. Pressione a ponta da ferramenta contra a peça de trabalho e, em seguida, puxe o gatilho do interruptor. Após o mandril estar desmontado, solte o gatilho do interruptor.

▶ Fig.12

Antes de o contentor do mandril encher, esvazie-o regularmente ao remover o contentor do mandril.

Rebites cegos disponíveis

OBSERVAÇÃO: A utilização de uma ponteira, mordente, empurrador do mordente ou tubo que não correspondam ao diâmetro do mandril pode causar mau aperto, obstrução do mandril ou anomalia da ferramenta.

Consulte a tabela seguinte para obter a combinação de rebite, ponteira, mordente, empurrador do mordente e tubo.

NOTA: Alguns itens na tabela podem estar incluídos na embalagem da ferramenta como acessórios padrão e alguns itens na tabela são fornecidos como acessórios opcionais. Podem diferir de país para país.

Para DRV150

Rebite		Ponteira		Marca no mordente	Empurrador do mordente		Tubo	
Tamanho	Diâmetro do mandril	Marca na ponteira	Diâmetro do furo		Diâmetro do furo	Cor	Diâmetro do furo	Cor
ø2,4 mm (3/32")	ø1,4 - 1,6 mm	2.4	ø1,9 mm	4.8	ø1,9 mm	Cinzento	ø2,2 mm	Prateado
ø3,2 mm (1/8")	ø1,8 - 2,1 mm	3.2	ø2,4 mm	4.8	ø2,5 mm	Preto	ø2,6 mm	Preto
ø4,0 mm (5/32")	ø2,2 - 2,6 mm	4.0	ø3,0 mm	4.8	ø3,1 mm	Cinzento	Nenhum *	-
ø4,8 mm (3/16")	ø2,6 - 3,2 mm	4.8	ø3,6 mm	4.8	ø3,6 mm	Preto	Nenhum *	-

*. O tubo não é necessário para a operação.

Para DRV250

Rebite		Ponteira		Marca no mordente	Empurrador do mordente		Tubo	
Tamanho	Diâmetro do mandril	Marca na ponteira	Diâmetro do furo		Diâmetro do furo	Cor	Diâmetro do furo	Cor
ø2,4 mm (3/32")	ø1,4 - 1,6 mm	2.4	ø1,9 mm	4.8	ø1,9 mm	Cinzento	ø2,2 mm	Prateado
ø3,2 mm (1/8")	ø1,8 - 2,1 mm	3.2	ø2,4 mm	4.8	ø2,5 mm	Preto	ø2,6 mm	Preto
ø4,0 mm (5/32")	ø2,2 - 2,6 mm	4.0	ø3,0 mm	4.8	ø3,1 mm	Cinzento	ø3,4 mm	Prateado
ø4,8 mm (3/16")	ø2,6 - 3,2 mm	4.8	ø3,6 mm	4.8 ou 6.4	ø3,6 mm	Preto	ø4,1 mm	Preto
ø6,0 mm (1/4") *	ø3,1 - 3,5 mm	6.0	ø4,0 mm	6.4	ø4,0 mm	Cinzento	ø4,1 mm	Preto
ø6,4 mm (1/4") *	ø3,5 - 3,9 mm	6.4	ø4,4 mm	6.4	ø4,6 mm	Preto	ø4,5 mm	Prateado

*. Não estão disponíveis rebites em aço inoxidável.

MANUTENÇÃO

⚠️ PRECAUÇÃO: Certifique-se sempre de que a ferramenta se encontra desligada e de que a bateria foi retirada antes de executar qualquer inspeção ou manutenção.

OBSERVAÇÃO: Nunca utilize gasolina, benzina, diluente, álcool ou produtos semelhantes. Pode ocorrer a descoloração, deformação ou rachaduras.

Para manter a SEGURANÇA e a FIABILIDADE do produto, as reparações e qualquer outra manutenção ou ajuste devem ser levados a cabo pelos centros de assistência Makita autorizados ou pelos centros de assistência de fábrica, utilizando sempre peças de substituição Makita.

Limpar os mordentes e a caixa do mordente

Intervalo de limpeza: A cada 3.000 instalações do rebite

Se a poeira ficar acumulada, deteriora o movimento dos mordentes e pode acelerar o desgaste dos mordentes e da caixa do mordente. Para limpar os mordentes e a caixa do mordente, siga os passos seguintes.

1. Remova a caixa do mordente. Relativamente ao processo de remoção, consulte as instruções de remoção do conjunto da cabeça.
2. Remova os mordentes da caixa do mordente.
▶ **Fig.13:** 1. Caixa do mordente 2. Mordente
3. Limpe os mordentes e a caixa do mordente com uma escova. Remova o pó metálico acumulado entre os dentes dos mordentes.
4. Aplique massa lubrificante à base de dissulfeto de molibdénio uniformemente na periferia interna da caixa do mordente.
▶ **Fig.14:** 1. Área a aplicar massa lubrificante 2. Caixa do mordente
5. Instale os mordentes na caixa do mordente.
▶ **Fig.15:** 1. Mordente 2. Caixa do mordente

OBSERVAÇÃO: Quando instalar os mordentes, certifique-se de que alinha as pontas dos mordentes.

6. Instale a caixa do mordente. Se a massa lubrificante tiver aderido às pontas dos mordentes, limpe a massa lubrificante com um pano seco.
▶ **Fig.16:** 1. Área em que a massa lubrificante não deve estar aderida 2. Mordente
7. Instale o conjunto da cabeça.
8. Limpe a massa lubrificante dos mordentes.

Insira um rebite na ponteira e, em seguida, mova-o para cima e para baixo e para a esquerda e para a direita; depois remova-o da ponteira e limpe a massa lubrificante do rebite com um pano seco. Repita o mesmo procedimento 2 ou 3 vezes.

OBSERVAÇÃO: Se a massa lubrificante tiver aderido à ponta ou ao interior do mordente, os mordentes podem escorregar durante o funcionamento.

Substituir os mordentes na caixa do mordente

Se os mordentes na caixa do mordente estiverem gastos, substitua-os por novos. Para substituir os mordentes, siga o mesmo procedimento que para a limpeza dos mordentes e da caixa do mordente. Quando instalar mordentes na caixa do mordente, instale mordentes novos.

Remover o rebite encravado

Se o rebite estiver encravado no interior da ferramenta, remova-o utilizando uma ferramenta como, por exemplo, um pino. Se for difícil remover o rebite encravado, substitua o empurrador do mordente ou o tubo por um novo. Relativamente ao procedimento de substituição, consulte as instruções para instalar ou remover o conjunto da cabeça.

ACESSÓRIOS OPCIONAIS

⚠️ PRECAUÇÃO: Estes acessórios ou peças são recomendados para utilização com a ferramenta Makita especificada neste manual. A utilização de outros acessórios ou peças pode ser perigosa para as pessoas. Utilize apenas acessórios ou peças para os fins indicados.

Se necessitar de informações adicionais relativas a estes acessórios, solicite-as ao seu centro de assistência Makita.

- Ponteira
- Empurrador do mordente
- Mordente
- Tubo
- Massa lubrificante
- Bateria e carregador genuínos da Makita

NOTA: Alguns itens da lista podem estar incluídos na embalagem da ferramenta como acessórios padrão. Eles podem variar de país para país.

SPECIFIKATIONER

Model:	DRV150	DRV250
Trækstyrke	10 kN	20 kN
Vandring	25 mm	30 mm
Samlet længde	313 mm	323 mm
Mærkespænding	18 V DC	
Nettovægt	1,9 - 2,2 kg	2,1 - 2,4 kg

- På grund af vores kontinuerlige forsknings- og udviklingsprogrammer kan hosstående specifikationer blive ændret uden varsel.
- Specifikationer kan variere fra land til land.
- Vægten kan være anderledes afhængigt af tilbehøret, inklusive akkuen. Den letteste og tungeste kombination i henhold til EPA-procedure 01/2014 er vist i tabellen.

Anvendelig akku og oplader

Akku	BL1815N / BL1820 / BL1820B / BL1830 / BL1830B / BL1840 / BL1840B / BL1850 / BL1850B / BL1860B
Oplader	DC18RC / DC18RD / DC18RE / DC18SD / DC18SE / DC18SF / DC18SH

- Nogle af de akkuer og opladere, der er angivet ovenfor, er muligvis ikke tilgængelige, afhængigt af hvilket område du bor i.

⚠ ADVARSEL: Brug kun de akkuer og opladere, der er angivet ovenfor. Brug af andre akkuer og opladere kan medføre personskaade og/eller brand.

Tilsigtet brug

Denne maskine er beregnet til idrivning af blindnitter.

Støj

Det typiske A-vægtede støjniveau bestemt i overensstemmelse med EN62841-1:

Model DRV150

Lydtryksniveau (L_{pA}): 75 dB (A)

Usikkerhed (K): 3 dB (A)

Model DRV250

Lydtryksniveau (L_{pA}): 74 dB (A)

Usikkerhed (K): 3 dB (A)

Støjniveauet under arbejdet kan overskride 80 dB (A).

BEMÆRK: De(n) angivne støjemissionsværdi(er) er målt i overensstemmelse med en standardtestmetode og kan anvendes til at sammenligne en maskine med en anden.

BEMÆRK: De(n) angivne støjemissionsværdi(er) kan også anvendes i en præliminær eksponeringsvurdering.

⚠ ADVARSEL: Bær høreværn.

⚠ ADVARSEL: Støjemissionen under den faktiske anvendelse af maskinen kan være forskellig fra de(n) angivne værdi(er), afhængigt af den måde hvorpå maskinen anvendes, især den type arbejdsømne der behandles.

⚠ ADVARSEL: Sørg for at identificere de sikkerhedsforskrifter til beskyttelse af operatøren, som er baseret på en vurdering af eksponering under de faktiske brugsforhold (med hensyntagen til alle dele i brugscyklussen, f.eks. de gange, hvor maskinen er slukket, og når den kører i tomgang i tilgift til afbrydertiden).

Vibration

Vibrationens totalværdi (tre-aksial vektorsum) bestemt i overensstemmelse med EN62841-1:

Model DRV150

Arbejdstilstand: Idrivning af blindnitte
Vibrationsemission (a_{h1}): 2,5 m/s² eller mindre
Usikkerhed (K): 1,5 m/s²

Model DRV250

Arbejdstilstand: Idrivning af blindnitte
Vibrationsemission (a_{h1}): 2,5 m/s² eller mindre
Usikkerhed (K): 1,5 m/s²

BEMÆRK: De(n) angivne totalværdi(er) for vibration er målt i overensstemmelse med en standardtestmetode og kan anvendes til at sammenligne en maskine med en anden.

BEMÆRK: De(n) angivne totalværdi(er) for vibration kan også anvendes i en præliminær eksponeringsvurdering.

⚠ ADVARSEL: Vibrationsemissionen under den faktiske anvendelse af maskinen kan være forskellig fra de(n) angivne værdi(er), afhængigt af den måde hvorpå maskinen anvendes, især den type arbejdsømne der behandles.

⚠ ADVARSEL: Sørg for at identificere de sikkerhedsforskrifter til beskyttelse af operatøren, som er baseret på en vurdering af eksponering under de faktiske brugsforhold (med hensyntagen til alle dele i brugs cyklussen, f.eks. de gange, hvor maskinen er slukket, og når den kører i tomgang i tilgigt til afbrydertiden).

EF-overensstemmelseserklæring

Kun for lande i Europa

EF-overensstemmelseserklæringen er inkluderet som Bilag A i denne brugsanvisning.

SIKKERHEDSADVARSLER

Almindelige sikkerhedsregler for el-værktøj

⚠ ADVARSEL: Læs alle de sikkerhedsadvarsler, instruktioner, illustrationer og specifikationer, der følger med denne maskine. Forsømmelse af at overholde alle nedenstående instruktioner kan medføre elektrisk stød, brand og/eller alvorlig personskade.

Gem alle advarsler og instruktioner til fremtidig reference.

Ordet "el-værktøj" i advarslerne henviser til det netforsynede (netledning) el-værktøj eller batteriforsynede (akku) el-værktøj.

Sikkerhedsadvarsler for akku nittepistol

1. Hold godt fast i maskinen.
2. Hold hænderne væk fra bevægelige dele.
3. Sørg altid for, at du har et godt fodfæste. Sørg for, at der ikke befinder sig nogen under dig, når maskinen anvendes på højtliggende steder.
4. Pas på ikke at tabe den afskårne dorn fra højtliggende steder. Hvis du gør det, kan det medføre en ulykke eller personskade.
5. Spred ikke de afskårne dorne på gulvet. Du kan komme til skade på den skarpe ende af den afskårne dorn eller ved at glide på dornen.
6. Ret ikke maskinen mod en person eller dig selv, når du anvender maskinen. Nitten eller den afskårne dorn kan muligvis utilsigtet blive slynget ud, og du kan komme til skade.

Vigtige sikkerhedsinstruktioner for akkuen

1. Læs alle instruktioner og advarselmærkater på (1) akku-opladeren, (2) akkuen og (3) produktet, som anvender akku.
2. Lad være med at skille akkuen ad.
3. Hold straks op med anvendelsen, hvis brugstiden er blevet stærkt afkortet. Fortsæt anvendelse kan resultere i risiko for overophedning, forbrændinger og endog eksplosion.

4. Hvis De har fået elektrolytvæske i øjnene, skal De straks skylle den ud med rent vand og derefter øjeblikkeligt søge lægehjælp. I modsat fald kan De miste synet.
5. Vær påpasselig med ikke at komme til at kortslutte akkuen:
 - (1) Rør ikke ved terminalerne med noget ledende materiale.
 - (2) Undgå at opbevare akkuen i en beholder sammen med andre genstande af metal, for eksempel søm, mønter og lignende.
 - (3) Udsæt ikke akkuen for vand eller regn. Kortslutning af akkuen kan forårsage en kraftig øgning af strømmen, overophedning, mulige forbrændinger og endog værktøjstop.
6. Opbevar ikke værktøjet og akkuen på et sted, hvor temperaturen kan nå eller overstige 50 °C.
7. Lad være med at brænde akkuen, selv ikke i tilfælde, hvor den har lidt alvorlig skade eller er fuldstændig udtjent. Akkuen kan eksplodere, hvis man forsøger at brænde den.
8. Lad være med at brænde akkuen eller udsætte den for stød.
9. Anvend ikke en beskadiget akku.
10. De indbyggede litium-ion-batterier er underlagt lovkrav vedrørende farligt gods. Ved kommerciel transport, f.eks. af tredjeparts transportselskaber, skal særlige krav til forpakning og mærkning overholdes. Ved forberedelse af udstyret til forsendelse skal du kontakte en ekspert i farligt gods. Overhold også eventuel mere detaljeret national lovgivning. Tape eller tildæk åbne kontakter, og pak batteriet på en måde, så det ikke kan flytte sig rundt i pakningen.
11. Når akkuen bortskaftes, skal du fjerne den fra maskinen og bortskaft den på et sikkert sted. Følg de lokale love vedrørende bortskaftelsen af batterier.
12. Brug kun batterierne med de produkter, som Makita specificerer. Hvis batterierne installeres i ikke-kompatible produkter, kan det medføre brand, kraftig varme, eksplosion eller udsvivning af elektrolyt.
13. Hvis maskinen ikke skal bruges i længere tid ad gangen, skal du fjerne batteriet fra maskinen.

GEM DENNE BRUGSANVISNING.

⚠ FORSIGTIG: Brug kun originale batterier fra Makita. Brug af uoriginale Makita-batterier, eller batterier som er blevet ændret, kan muligvis medføre brud på batteriet, hvilket kan forårsage brand, personskade eller beskadigelse. Det ugyldiggør også Makita-garantien for Makita-maskinen og opladeren.

Tips til opnåelse af maksimal akku-levetid

1. Oplad akkuen, inden den er helt afladet. Stop altid værktøjet, og oplad akkuen, hvis De bemærker, at værktøjeffekten er aftagende.
2. Genoplad aldrig en fuldt opladet akku. Overopladning vil afkorte akkuens levetid.
3. Oplad akkuen ved stuetemperatur ved 10 °C - 40 °C. Lad altid en varm akku få tid til at køle af, inden den oplades.
4. Oplad akkuen, hvis De ikke skal bruge den i længere tid (mere end seks måneder).

FUNKTIONSBESKRIVELSE

⚠️FORSIGTIG: Sørg altid for at maskinen er slukket, og at akkuen er taget ud, før der udføres justering eller kontrol af funktioner på maskinen.

Isætning eller fjernelse af akkuen

⚠️FORSIGTIG: Sluk altid for værktøjet, før De monterer eller fjerner akkuen.

⚠️FORSIGTIG: Hold værktøjet og akkuen fast ved montering eller fjernelse af akkuen. Hvis De ikke holder værktøjet og akkuen fast, kan de glide ud af hænderne på Dem og forårsage beskadigelse af værktøjet og akkuen eller personskaade.

► Fig.1: 1. Rød indikator 2. Knap 3. Akku

Akkuen fjernes ved, at De trækker den ud af værktøjet, idet De skyder knappen på forsiden af akkuen i stilling.

Akkuen monteres ved, at De sætter tungen på akkuen ud for noten i kabinettet og lader den glide på plads. Sæt den hele vejen ind, så den låses på plads med et lille klik. Hvis den røde indikator på oversiden af knappen er synlig, betyder det, at den ikke er tilstrækkeligt låst.

⚠️FORSIGTIG: Monter altid akkuen helt, indtil den røde indikator ikke længere er synlig. Hvis dette ikke gøres, kan den falde ud af værktøjet ved et uheld, hvorved De selv eller personer i nærheden kan komme til skade.

⚠️FORSIGTIG: Brug ikke magt ved montering af akkuen. Hvis akkuen ikke glider på plads uden problemer, betyder det, at den ikke sættes i på korrekt vis.

Indikation af den resterende batteriladning

Kun til akkuer med indikatoren

► Fig.2: 1. Indikatorlamper 2. Kontrolknap

Tryk på kontrolknappen på akkuen for at få vist den resterende batteriladning. Indikatorlampen lyser i nogle sekunder.

Indikatorlamper			Resterende ladning
Tændt	Slukket	Blinker	
■	□	◻	75% til 100%
■ ■ ■ ■			
■ ■ ■ □			50% til 75%
■ ■ □ □			25% til 50%
■ □ □ □			0% til 25%
◻ □ □ □			Genoplad batteriet.
■ ■ □ □			Der er muligvis fejl i batteriet.
□ □ ■ ■			

BEMÆRK: Afhængigt af brugsforholdene og den omgivende temperatur kan indikationen afvige en smule fra den faktiske ladning.

Beskyttelsessystem til værktøj/batteri

Maskinen er udstyret med et beskyttelsessystem til maskinen/batteriet. Dette system afbryder automatisk strømmen til motoren for at forlænge maskinens og batteriets levetid. Maskinen stopper automatisk under brugen, hvis maskinen eller batteriet udsættes for et af følgende forhold:

Overbelastningsbeskyttelse

Hvis batteriet bruges på en måde, der får det til at trække en unormalt høj strøm, stopper maskinen automatisk uden indikation. Sluk i så fald for maskinen, og stop den anvendelse, der medførte overbelastningen af maskinen. Tænd derefter for maskinen for at starte igen.

Beskyttelse mod overophedning

Hvis maskinen eller batteriet er overophedet, stopper maskinen automatisk, og lampen blinker. Lad i så fald maskinen og batteriet køle ned, før der tændes for maskinen igen.

Beskyttelse mod overafledning

Når batteriladningen er utilstrækkelig, stopper maskinen automatisk. Tag i så fald batteriet ud af maskinen, og lad batteriet op.

Afbryderbetjening

⚠️ADVARSEL: Inden akkuen sættes i maskinen, bør De altid kontrollere, at afbryderknappen fungerer korrekt, og returnerer til "OFF"-positionen, når den slippes.

► Fig.3: 1. Afbryderknap

Maskinen startes ved blot at trykke på afbryderknappen. Når du slipper afbryderknappen, stopper maskinen og vender tilbage til startpositionen.

Maskinen er muligvis ikke i startpositionen i de følgende tilfælde. Returner maskinen til startpositionen ved at trykke ind og slippe afbryderknappen, inden du anvender maskinen.

- Når du anvender maskinen for første gang.
- Efter udskiftning af akkuen.
- Når maskinen stopper pga. overbelastningen.
- Efter udførsel af vedligeholdelse.

Tænding af lampen foran

► Fig.4: 1. Lampe

⚠️FORSIGTIG: Kig aldrig direkte på lyskilden. Lad ikke lyset falde i Deres øjne.

Tryk afbryderknappen ind for at tænde for lampen. Lampen fortsætter med at lyse, så længe afbryderknappen trykkes ind. Lampen slukker omkring 10 sekunder efter at afbryderknappen er udløst.

BEMÆRK: Brug en tør klud til at tørre snavset af lampens linse. Pas på ikke at ride lampens linse, da dette muligvis kan dæmpe belysningen.

SAMLING

⚠FORSIGTIG: Sørg altid for at maskinen er slukket, og at akkuen er taget ud, før der udføres noget arbejde på maskinen.

Montering eller afmontering af hovedsamlingen

Benyt nedenstående fremgangsmåde for at fjerne hovedsamlingen.

1. Løsn møtrikken på hovedet, og fjern derefter hovedet.

► **Fig.5:** 1. Møtrik 2. Hoved

2. Løsn spidsstykket med en nøgle, idet du holder hovedet med en anden nøgle.

► **Fig.6:** 1. Spidsstykke 2. Hoved

3. Løsn kæbeholderen med en nøgle, idet du holder samlingen med en anden nøgle.

► **Fig.7:** 1. Kæbeholder 2. Samling

4. Fjern kæbeskubberen, fjederen og røret.

► **Fig.8:** 1. Kæbeskubber 2. Fjeder 3. Rør

BEMÆRKNING: Sørg for at montere fjederen på kæbeskubberen ved montering af kæbeskubberen.

For at installere hovedsamlingen korrekt skal du udføre proceduren for afmontering i modsat rækkefølge. Sørg for at stramme kæbeholderen og spidsstykket stramt med to nøgler.

ANVENDELSE

⚠FORSIGTIG: Hold din hånd eller dit ansigt væk fra den forreste del af maskinen. Nitten eller den afskårne dorn kan muligvis utilsigtet blive slynget ud, og du kan komme til skade.

Ildrivning af en blindnitte

⚠FORSIGTIG: Tøm dornbeholderen regelmæssigt, før den bliver fuld, ved at afmontere dornbeholderen. Ellers kan maskinen blive beskadiget, og beskadigede dele kan forårsage personskade.

⚠FORSIGTIG: Når en blindnitte indsættes i spidsstykket, skal du sørge for at slukke for maskinen. Ellers kan du komme til skade på maskinens spids.

⚠FORSIGTIG: Efterlad ikke en blindnitte inde i spidsstykket. Hvis maskinen tænder utilsigtet, kan blindnitten blive slynget ud og muligvis forårsage personskade.

Krog

⚠FORSIGTIG: Tag altid batteriet ud, når du hænger maskinen på krogen.

⚠FORSIGTIG: Hæng aldrig maskinen på et højt sted eller på en potentielt ustabil overflade.

⚠FORSIGTIG: Ophæng maskinen omhyggeligt, når den hænges på krogen. Ellers kan maskinen falde ned og forårsage personskade.

► **Fig.9:** 1. Rille 2. Krog 3. Skruer

Krogen er praktisk til midlertidig ophængning af maskinen. Den kan monteres i begge sider af maskinen. Krogen monteres ved at indsætte den i en rille i maskinhuset på en af siderne og derefter fastgøre den med en skrue. Den fjernes ved at løsne skruen og tage den ud.

Montering eller afmontering af dornbeholderen

BEMÆRKNING: Sørg for at montere dornbeholderen på maskinen, før maskinen anvendes. Hvis dornbeholderen ikke er monteret på maskinen, kan maskinen ikke fungere.

Drej dornbeholderen i retningen mod uret for at fjerne den. Drej dornbeholderen i retningen med uret for at montere den.

► **Fig.10:** 1. Dornbeholder

BEMÆRKNING: Efter installation af en blindnitte skal du sørge for at skubbe den afskårne dorn ind i dornbeholderen ved at vippe maskinen bagud, inden du installerer den næste blindnitte. Hvis enden på de afskårne dorne stikker ud fra spidsstykket, skal du slukke for maskinen og fjerne dornen. Ellers kan de afskårne dorne sidde fast og forårsage en funktionsfejl på maskinen.

1. Sæt blindnitten ind i spidsstykket.

► **Fig.11:** 1. Blindnitte 2. Spidsstykke

2. Tryk maskinens spids mod arbejdsemnet, og tryk derefter på afbryderknappen. Slip afbryderknappen, når dornen er brækket af.

► **Fig.12**

Tøm dornbeholderen regelmæssigt, før den bliver fuld, ved at afmontere dornbeholderen.

Tilgængelige blindnitter

BEMÆRKNING: Brug af et spidsstykke, en kæbe, kæbeskubber eller et rør, der ikke passer til dornens diameter, kan medføre dårlig fæstning, at dornen sidder fast eller fejlfunktion i maskinen.

Se i tabellen nedenfor vedrørende kombinationen af nitte, spidsstykke, kæbe, kæbeskubber og rør.

BEMÆRK: Nogle elementer i tabellen kan være inkluderet i værktøjsspakken som standardtilbehør, og nogle elementer i tabellen leveres som ekstraudstyr. De kan være forskellige fra land til land.

For DRV150

Nitte		Spidsstykke		Mærke på kæbe	Kæbeskubber		Rør	
Størrelse	Diameter af dorn	Mærke på spidsstykke	Huldiameter		Huldiameter	Farve	Huldiameter	Farve
ø2,4 mm (3/32")	ø1,4 - 1,6 mm	2.4	ø1,9 mm	4.8	ø1,9 mm	Grå	ø2,2 mm	Sølv
ø3,2 mm (1/8")	ø1,8 - 2,1 mm	3.2	ø2,4 mm	4.8	ø2,5 mm	Sort	ø2,6 mm	Sort
ø4,0 mm (5/32")	ø2,2 - 2,6 mm	4.0	ø3,0 mm	4.8	ø3,1 mm	Grå	Ingen *	-
ø4,8 mm (3/16")	ø2,6 - 3,2 mm	4.8	ø3,6 mm	4.8	ø3,6 mm	Sort	Ingen *	-

*. Røret er ikke nødvendigt for betjening.

For DRV250

Nitte		Spidsstykke		Mærke på kæbe	Kæbeskubber		Rør	
Størrelse	Diameter af dorn	Mærke på spidsstykke	Huldiameter		Huldiameter	Farve	Huldiameter	Farve
ø2,4 mm (3/32")	ø1,4 - 1,6 mm	2.4	ø1,9 mm	4.8	ø1,9 mm	Grå	ø2,2 mm	Sølv
ø3,2 mm (1/8")	ø1,8 - 2,1 mm	3.2	ø2,4 mm	4.8	ø2,5 mm	Sort	ø2,6 mm	Sort
ø4,0 mm (5/32")	ø2,2 - 2,6 mm	4.0	ø3,0 mm	4.8	ø3,1 mm	Grå	ø3,4 mm	Sølv
ø4,8 mm (3/16")	ø2,6 - 3,2 mm	4.8	ø3,6 mm	4.8 eller 6.4	ø3,6 mm	Sort	ø4,1 mm	Sort
ø6,0 mm (1/4") *	ø3,1 - 3,5 mm	6.0	ø4,0 mm	6.4	ø4,0 mm	Grå	ø4,1 mm	Sort
ø6,4 mm (1/4") *	ø3,5 - 3,9 mm	6.4	ø4,4 mm	6.4	ø4,6 mm	Sort	ø4,5 mm	Sølv

*. Nitter i rustfrit stål er ikke til rådighed.

VEDLIGEHODELSE

⚠FORSIGTIG: Vær altid sikker på, at værktøjet er slukket, og at akkuen er taget ud, inden De begynder at udføre inspektion eller vedligeholdelse.

BEMÆRKNING: Anvend aldrig benzin, rensebenzin, fortynder, alkohol og lignende. Det kan medføre misfarvning, deformering eller revner.

For at opretholde produktets SIKKERHED og PÅLIDELIGHED må reparation, vedligeholdelse eller justering kun udføres af et autoriseret Makita servicecenter eller fabrikksservicecenter med anvendelse af Makita reservedele.

Rengøring af kæberne og kæbeholderen

Rengøringsinterval: Hver 3.000 monteringer af nitte
Hvis der er ophobet støv, forringer det bevægelsen af kæberne og kan muligvis fremskynde nedslidningen af kæberne og kæbeholderen. For at rengøre kæberne og kæbeholderen skal du følge de nedenstående trin.

1. Fjern kæbeholderen. For fremgangsmåden til afmontering henvises til instruktionerne til afmontering af hovedsamlingen.

2. Fjern kæberne fra kæbeholderen.

► **Fig.13:** 1. Kæbeholder 2. Kæbe

3. Rengør kæberne og kæbeholderen med en børste. Fjern metalpulveret som sidder fast mellem tænderne på kæberne.

4. Smør et jævnt lag af molybdænsulfidbaseret fedtstof på den indre kant af kæbeholderen.

► **Fig.14:** 1. Område, der skal påføres fedtstof
2. Kæbeholder

5. Monter kæberne på kæbeholderen.

► **Fig.15:** 1. Kæbe 2. Kæbeholder

BEMÆRKNING: Sørg for justere kæbespidserne ved montering af kæberne.

6. Monter kæbeholderen. Hvis der sidder fedtstof fast på spidserne af kæberne, skal du tørre fedtstoffet af med en tør klud.

► **Fig.16:** 1. Område, hvor der ikke bør være fedtstof
2. Kæbe

7. Monter hovedsamlingen.

8. Tør fedtstoffet af fra kæberne.

Indsæt en nitte i spidsstykket og flyt den derefter op og ned, til venstre og højre, og fjern den derefter fra spidsstykket, og tør derefter fedtstoffet af fra nitten med en tør klud. Gentag den samme procedure to eller 3 gange.

BEMÆRKNING: Hvis der sidder fedtstof fast på spidsen eller indersiden af kæben, kan kæberne muligvis glide under betjening.

Udskiftning af kæberne i kæbeholderen

Hvis kæberne i kæbeholderen er slidt, skal du udskifte dem med nye. For at udskifte kæberne skal du følge den samme procedure for rengøring af kæberne og kæbeholderen. Når du monterer kæberne på kæbeholderen, skal du montere nye kæber.

Afmontering af fastklemt nitte

Hvis nitten sidder fast inde i maskinen, skal du fjerne den vha. et værktøj som f.eks. en nål. Udskift kæbeskubberen eller røret med en ny/et nyt, hvis det er vanskeligt at fjerne den fastklemt nitte. For fremgangsmåden til udskiftning henvises til instruktionerne til montering eller afmontering af hovedsamlingen.

EKSTRAUDSTYR

⚠FORSIGTIG: Det følgende tilbehør og ekstraudstyr er anbefalet til brug med Deres Makita maskine, der er beskrevet i denne brugsanvisning. Anvendelse af andet tilbehør eller ekstraudstyr kan udgøre en risiko for personskade. Anvend kun tilbehør og ekstraudstyr til det beskrevne formål.

Hvis De behøver hjælp ved valg af tilbehør eller ønsker yderligere informationer, bedes De kontakte Deres lokale Makita servicecenter.

- Spidsstykke
- Kæbeskubber
- Kæbe
- Rør
- Fedtstof
- Original Makita akku og oplader

BEMÆRK: Nogle ting på denne liste kan være inkluderet i værktøjspakken som standardtilbehør. Det kan være forskellige fra land til land.

ΠΡΟΔΙΑΓΡΑΦΕΣ

Μοντέλο:	DRV150	DRV250
Δύναμη εφελκυσμού	10 kN	20 kN
Διαδρομή	25 mm	30 mm
Συνολικό μήκος	313 mm	323 mm
Ονομαστική τάση	D.C. 18 V	
Καθαρό βάρος	1,9 - 2,2 kg	2,1 - 2,4 kg

- Λόγω του συνεχιζόμενου προγράμματος έρευνας και ανάπτυξης, οι προδιαγραφές αυτές υπόκεινται σε αλλαγές χωρίς προειδοποίηση.
- Τα τεχνικά χαρακτηριστικά μπορεί να διαφέρουν από χώρα σε χώρα.
- Το βάρος μπορεί να διαφέρει ανάλογα με τα προσαρτήματα, συμπεριλαμβάνοντας την κασέτα μπαταριών. Ο ελαφρύτερος και ο βαρύτερος συνδυασμός, σύμφωνα με τη διαδικασία ΕΡΤΑ 01/2014, παρουσιάζονται στον πίνακα.

Ισχύουσα κασέτα μπαταριών και φορτιστής

Κασέτα μπαταρίας	BL1815N / BL1820 / BL1820B / BL1830 / BL1830B / BL1840 / BL1840B / BL1850 / BL1850B / BL1860B
Φορτιστής	DC18RC / DC18RD / DC18RE / DC18SD / DC18SE / DC18SF / DC18SH

- Ορισμένες από τις κασέτες και τους φορτιστές μπαταριών που αναγράφονται παραπάνω ίσως να μην είναι διαθέσιμοι, ανάλογα με την τοποθεσία κατοικίας σας.

⚠️ ΠΡΟΕΙΔΟΠΟΙΗΣΗ: Να χρησιμοποιείτε μόνο τις κασέτες μπαταριών και τους φορτιστές που παρατίθενται ανωτέρω. Η χρήση οποιασδήποτε άλλης κασέτας μπαταριών ή φορτιστή μπορεί να προκαλέσει τραυματισμό ή/και πυρκαγιά.

Προβλεπόμενη χρήση

Το εργαλείο προορίζεται για την τοποθέτηση τυφλών πριτσινιών.

Θόρυβος

Το τυπικό Α επίπεδο καταμετρημένου θορύβου καθορίζεται σύμφωνα με το EN62841-1:

Μοντέλο DRV150

Στάθμη ηχητικής πίεσης (L_{pA}): 75 dB (A)

Αβεβαιότητα (K): 3 dB (A)

Μοντέλο DRV250

Στάθμη ηχητικής πίεσης (L_{pA}): 74 dB (A)

Αβεβαιότητα (K): 3 dB (A)

Η ένταση θορύβου υπό συνθήκες εργασίας μπορεί να υπερβεί τα 80 dB (A).

ΠΑΡΑΤΗΡΗΣΗ: Η δηλωμένη τιμή(ές) εκπομπής θορύβου έχει μετρηθεί σύμφωνα με την πρότυπη μέθοδο δοκιμής και μπορεί να χρησιμοποιηθεί για τη σύγκριση ενός εργαλείου με κάποιο άλλο.

ΠΑΡΑΤΗΡΗΣΗ: Η δηλωμένη τιμή(ές) εκπομπής θορύβου μπορεί να χρησιμοποιηθεί και στην προκαταρκτική αξιολόγηση της έκθεσης.

⚠️ ΠΡΟΕΙΔΟΠΟΙΗΣΗ: Να φοράτε γυαλιά ασφαλείας.

⚠️ ΠΡΟΕΙΔΟΠΟΙΗΣΗ: Η εκπομπή θορύβου κατά τη χρήση του ηλεκτρικού εργαλείου σε πραγματικές συνθήκες μπορεί να διαφέρει από τη δηλωμένη τιμή(ές) ανάλογα με τους τρόπους χρήσης του εργαλείου, ιδιαίτερα το είδος του τεμαχίου εργασίας που υπόκειται επεξεργασία.

⚠️ ΠΡΟΕΙΔΟΠΟΙΗΣΗ: Φροντίστε να λάβετε τα κατάλληλα μέτρα προστασίας του χειριστή βάσει ενός υπολογισμού της έκθεσης σε πραγματικές συνθήκες χρήσης (λαμβάνοντας υπόψη όλες τις συνιστώσες του κύκλου λειτουργίας όπως τους χρόνους που το εργαλείο είναι εκτός λειτουργίας και όταν βρίσκεται σε αδρανή λειτουργία πέραν του χρόνου ενεργοποίησης).

Κραδασμός

Η ολική τιμή δόνησης (άθροισμα τρι-αξονικού διανύσματος) καθορίζεται σύμφωνα με το EN62841-1:

Μοντέλο DRV150

Είδος εργασίας: Τοποθέτηση τυφλού πριτσινιού
Εκπομπή δόνησης (a_h): 2,5 m/s² ή λιγότερο
Αβεβαιότητα (K): 1,5 m/s²

Μοντέλο DRV250

Είδος εργασίας: Τοποθέτηση τυφλού πριτσινιού
Εκπομπή δόνησης (a_h): 2,5 m/s² ή λιγότερο
Αβεβαιότητα (K): 1,5 m/s²

ΠΑΡΑΤΗΡΗΣΗ: Η δηλωμένη τιμή(ές) συνολικών κραδασμών έχει μετρηθεί σύμφωνα με την πρότυπη μέθοδο δοκιμής και μπορεί να χρησιμοποιηθεί για τη σύγκριση ενός εργαλείου με κάποιο άλλο.

ΠΑΡΑΤΗΡΗΣΗ: Η δηλωμένη τιμή(ές) συνολικών κραδασμών μπορεί να χρησιμοποιηθεί και στην προκαταρκτική αξιολόγηση της έκθεσης.

▲ ΠΡΟΕΙΔΟΠΟΙΗΣΗ: Η εκπομπή κραδασμών κατά τη χρήση του ηλεκτρικού εργαλείου σε πραγματικές συνθήκες μπορεί να διαφέρει από τη δηλωμένη τιμή(ές) εκπομπής ανάλογα με τους τρόπους χρήσης του εργαλείου, ιδιαίτερα το είδος του τεμαχίου εργασίας που υπόκειται επεξεργασία.

▲ ΠΡΟΕΙΔΟΠΟΙΗΣΗ: Φροντίστε να λάβετε τα κατάλληλα μέτρα προστασίας του χειριστή βάσει ενός υπολογισμού της έκθεσης σε πραγματικές συνθήκες χρήσης (Λαμβάνοντας υπόψη όλες τις συνιστώσες του κύκλου λειτουργίας όπως τους χρόνους που το εργαλείο είναι εκτός λειτουργίας και όταν βρίσκεται σε αδρανή λειτουργία πέραν του χρόνου ενεργοποίησης).

Δήλωση συμμόρφωσης ΕΚ

Μόνο για χώρες της Ευρώπης

Η δήλωση συμμόρφωσης ΕΚ περιλαμβάνεται ως Παράρτημα Α στο παρόν εγχειρίδιο οδηγιών.

ΠΡΟΕΙΔΟΠΟΙΗΣΕΙΣ ΑΣΦΑΛΕΙΑΣ

Γενικές προειδοποιήσεις ασφαλείας για το ηλεκτρικό εργαλείο

▲ ΠΡΟΕΙΔΟΠΟΙΗΣΗ: Διαβάστε όλες τις προειδοποιήσεις ασφαλείας, οδηγίες, εικονογραφίες και προδιαγραφές που παρέχονται με αυτό το ηλεκτρικό εργαλείο. Η μη τήρηση όλων των οδηγιών που αναγράφονται κατωτέρω μπορεί να καταλήξει σε ηλεκτροπληξία, πυρκαγιά ή/και σοβαρό τραυματισμό.

Φυλάξτε όλες τις προειδοποιήσεις και τις οδηγίες για μελλοντική παραπομπή.

Στις προειδοποιήσεις, ο όρος «ηλεκτρικό εργαλείο» αναφέρεται σε ηλεκτρικό εργαλείο που τροφοδοτείται από την κύρια παροχή ηλεκτρικού ρεύματος (με ηλεκτρικό καλώδιο) ή σε ηλεκτρικό εργαλείο που τροφοδοτείται από μπαταρία (χωρίς ηλεκτρικό καλώδιο).

Προειδοποιήσεις ασφαλείας για τον πριτσινάδορο μπαταρίας

1. Κρατάτε το εργαλείο σταθερά.
2. Μην πλησιάζετε τα χέρια σας σε κινούμενα μέρη.
3. Φροντίζετε πάντοτε να στέκεστε σταθερά. Βεβαιωθείτε ότι δεν υπάρχει άτομο ακριβώς από κάτω, όταν χρησιμοποιείτε το ηλεκτρικό εργαλείο σε υψηλά σημεία.
4. Προσέξτε να μην πέσουν κάτω κομμένα καρφιά από υψηλά σημεία. Αν γίνει αυτό, μπορεί να προκληθεί ατύχημα ή τραυματισμός.
5. Μην διασκορπίζετε τα σπασμένα καρφιά στο πάτωμα. Μπορεί να τραυματιστείτε από το αιχμηρό άκρο του σπασμένου καρφιού ή να γλιστρήσετε στο καρφί.
6. Μην στρέψετε το εργαλείο προς κανένα άτομο ή τον εαυτό σας όταν χρησιμοποιείτε το εργαλείο. Το πριτσίνι ή το σπασμένο καρφί μπορεί να εκτιναχτεί κατά λάθος και να τραυματιστείτε.

Σημαντικές οδηγίες ασφαλείας για κασέτα μπαταριών

1. Πριν χρησιμοποιήσετε την κασέτα μπαταριών, διαβάστε όλες τις οδηγίες και σημειώσεις προφύλαξης (1) στον φορτιστή μπαταριών, (2) στην μπαταρία και (3) στο προϊόν που χρησιμοποιεί την μπαταρία.
2. Μην αποσυναρμολογήσετε την κασέτα μπαταριών.
3. Εάν ο χρόνος λειτουργίας έχει γίνει υπερβολικά βραχύς, σταματήστε τη λειτουργία αμέσως. Αλλιώς, μπορεί να έχει ως αποτέλεσμα κίνδυνο υπερθέρμανσης, πιθανά εγκαύματα ή ακόμη και έκρηξη.
4. Εάν ηλεκτρολύτης μπει στα μάτια σας, ξεπλύνετε τα με καθαρό νερό και ζητήστε ιατρική φροντίδα αμέσως. Αλλιώς, μπορεί να έχει ως αποτέλεσμα απώλεια της όρασης σας.
5. Μην βραχυκυκλώνετε την κασέτα μπαταριών:
 - (1) Μην αγγίζετε τους πόλους με οτιδήποτε αγώγιμο υλικό.
 - (2) Αποφεύγετε να αποθηκεύετε την κασέτα μπαταριών μέσα σε ένα δοχείο μαζί με άλλα μεταλλικά αντικείμενα όπως καρφιά, νομίσματα, κλπ.
 - (3) Μην εκθέτετε την κασέτα μπαταριών στο νερό ή στη βροχή.Ένα βραχυκύκλωμα μπαταρίας μπορεί να προκαλέσει μεγάλη ροή ρεύματος, υπερθέρμανση, πιθανά εγκαύματα ακόμη και σοβαρή βλάβη.
6. Μην αποθηκεύετε το εργαλείο και την κασέτα μπαταριών σε τοποθεσίες όπου η θερμοκρασία μπορεί να φτάσει ή να ξεπεράσει τους 50°C.
7. Μην καίτε την κασέτα μπαταριών ακόμη και εάν έχει σοβαρή ζημιά ή είναι εντελώς φθαρμένη. Η κασέτα μπαταριών μπορεί να εκραγεί στη φωτιά.

8. Προσέχετε να μη ρίξετε κάτω ούτε να χτυπήσετε την μπαταρία.
9. Μη χρησιμοποιείτε μπαταρία που έχει υποστεί ζημία.
10. Οι μπαταρίες ιόντων λιθίου που περιέχονται υπόκεινται στις απαιτήσεις της νομοθεσίας για επικίνδυνα αγαθά.
Για εμπορικές μεταφορές, για παράδειγμα από τρίτα μέρη, πρέπει να τηρούνται οι διαμεταφορές, οι ειδικές απαιτήσεις στη συσκευασία και η επισήμανση.
Για προετοιμασία του στοιχείου που αποστέλλεται, είναι απαραίτητο να συμβουλευτείτε έναν ειδικό για επικίνδυνα υλικά. Επίσης, τηρήστε τους πιθανούς, πιο αναλυτικούς εθνικούς κανονισμούς. Καλύψτε με αυτοκόλλητη ταινία ή κρύψτε τις ανοικτές επαφές και συσκευάστε την μπαταρία με τρόπο που να μην μπορεί να μετακινείται μέσα στη συσκευασία.
11. Όταν απορρίπτετε την κασέτα μπαταριών, αφαιρέστε την από το εργαλείο και διαθέστε την σε ένα ασφαλές μέρος. Τηρήστε τους τοπικούς κανονισμούς που σχετίζονται με τη διάθεση της μπαταρίας.
12. Χρησιμοποιήστε τις μπαταρίες μόνο με τα προϊόντα που καθορίζει η Makita. Αν τοποθετήσετε τις μπαταρίες σε μη συμβατά προϊόντα μπορεί να έχει ως αποτέλεσμα πυρκαγιά, υπερβολική θερμότητα, έκρηξη ή διαρροή ηλεκτρολύτη.
13. Αν δεν χρησιμοποιείτε το εργαλείο για μεγάλο χρονικό διάστημα, πρέπει να βγάλετε την μπαταρία από το εργαλείο.

ΦΥΛΑΞΤΕ ΤΙΣ ΟΔΗΓΙΕΣ ΑΥΤΕΣ.

▲ΠΡΟΣΟΧΗ: Να χρησιμοποιείτε μόνο γνήσιες μπαταρίες της Makita. Η χρήση μη γνήσιων μπαταριών Makita, ή μπαταριών που έχουν τροποποιηθεί, μπορεί να έχει ως αποτέλεσμα τη ρήξη της μπαταρίας, προκαλώντας πυρκαγιά, προσωπικό τραυματισμό και βλάβη. Επίσης, θα ακυρωθεί η εγγύηση της Makita για το εργαλείο και φορτιστή Makita.

Συμβουλές για τη διατήρηση της μέγιστης ζωής μπαταρίας

1. Φορτίζετε την κασέτα μπαταριών πριν από την πλήρη αποφόρτισή της. Πάντοτε να σταματάτε τη λειτουργία του εργαλείου και να φορτίζετε την κασέτα μπαταριών όταν παρατηρήσετε μειωμένη ισχύ εργαλείου.
2. Ποτέ μην επαναφορτίζετε μια πλήρως φορισμένη κασέτα μπαταριών. Η υπερφόρτιση μειώνει την ωφέλιμη ζωή της μπαταρίας.
3. Να φορτίζετε την κασέτα μπαταριών σε θερμοκρασία δωματίου, δηλαδή στους 10°C έως 40°C. Αφήστε μια θερμή κασέτα μπαταριών να κρυώσει πριν την φορτίσετε.
4. Να φορτίζετε την κασέτα μπαταριών εάν δεν τη χρησιμοποιείτε για μεγάλη χρονική περίοδο (περισσότερο από έξι μήνες).

ΠΕΡΙΓΡΑΦΗ ΛΕΙΤΟΥΡΓΙΑΣ

▲ΠΡΟΣΟΧΗ: Να φροντίζετε πάντα για την απεργοποίηση του εργαλείου και την αφαίρεση της κασέτας μπαταρίας, πριν από οποιαδήποτε ρύθμιση ή έλεγχο της λειτουργίας του.

Τοποθέτηση ή αφαίρεση της κασέτας μπαταριών

▲ΠΡΟΣΟΧΗ: Να σβήνετε πάντα το εργαλείο πριν τοποθετήσετε ή αφαιρέσετε την κασέτα μπαταριών.

▲ΠΡΟΣΟΧΗ: Κρατήστε το εργαλείο και την κασέτα μπαταριών σταθερά κατά την τοποθέτηση ή αφαίρεση της κασέτας μπαταριών. Εάν δεν κρατάτε το εργαλείο και την κασέτα μπαταριών σταθερά μπορεί να γλιστρήσουν από τα χέρια σας και να προκληθεί βλάβη στο εργαλείο και την κασέτα μπαταριών και προσωπικός τραυματισμός.

► **Εικ.1:** 1. Κόκκινη ένδειξη 2. Κουμπί 3. Κασέτα μπαταριών

Για να αφαιρέσετε την κασέτα μπαταριών, ολισθήστε την από το εργαλείο ενώ σύρετε το κουμπί στο μπροστινό μέρος της κασέτας.

Για να τοποθετήσετε την κασέτα μπαταριών, ευθυγραμμίστε τη γλώσσα στην κασέτα μπαταριών με την αύλακα στην υποδοχή και ολισθήστε τη στη θέση της. Να την τοποθετείτε πλήρως μέχρι να ασφαλίσει στη θέση της, γεγονός που υποδεικνύεται με ένα χαρακτηριστικό ήχο. Εάν μπορείτε να δείτε την κόκκινη ένδειξη στην επάνω πλευρά του κουμπιού, δεν έχει κλειδώσει τελείως.

▲ΠΡΟΣΟΧΗ: Να τοποθετείτε πάντα την κασέτα μπαταριών πλήρως μέχρι να μη βλέπετε την κόκκινη ένδειξη. Εάν δεν ασφαλιστεί, μπορεί να πέσει από το εργαλείο χαλαρά, προκαλώντας σωματική βλάβη σε εσάς ή κάποιον άλλο γύρω σας.

▲ΠΡΟΣΟΧΗ: Μην τοποθετείτε την κασέτα μπαταριών με βία. Εάν η κασέτα δεν ολισθαίνει με ευκολία, τότε δεν έχει τοποθετηθεί κατάλληλα.




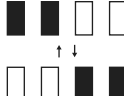
Εμφάνιση υπολειπόμενης χωρητικότητας μπαταρίας

Μόνο για κασέτες μπαταρίας με την ενδεικτική λυχνία

► **Εικ.2:** 1. Ενδεικτικές λυχνίες 2. Κουμπί ελέγχου

Πιέστε το κουμπί ελέγχου στην κασέτα μπαταριών για να υποδείξετε την υπολειπόμενη χωρητικότητα μπαταρίας. Οι ενδεικτικές λυχνίες ανάβουν για λίγα δευτερόλεπτα.

Ενδεικτικές λυχνίες			Υπολειπόμενη χωρητικότητα
Αναμμένες	Σβηστές	Αναβοσβήνον	
■ ■ ■ ■	□	▧	75% έως 100%
■ ■ ■	■	□	50% έως 75%
■ ■	■ □	□	25% έως 50%
■	■ □ □	□	0% έως 25%
▧	□ □ □	□	Φορτίστε την μπαταρία.

Ενδεικτικές Λυχνίες			Υπολειπόμενη χωρητικότητα
 Αναμμένες	 Σβηστές	 Αναβοσβήνουν	
			Μπορεί να προέκυψε δυσλειτουργία στην μπαταρία.

ΠΑΡΑΤΗΡΗΣΗ: Ανάλογα με τις συνθήκες χρήσης και τη θερμοκρασία περιβάλλοντος, η ένδειξη μπορεί να διαφέρει λίγο από την πραγματική χωρητικότητα.

Σύστημα προστασίας εργαλείου/ μπαταρίας

Το εργαλείο είναι εξοπλισμένο με σύστημα προστασίας εργαλείου/μπαταρίας. Αυτό το σύστημα αποκτάει αυτόματα την ισχύ προς το μοτέρ για να παραταθεί η διάρκεια λειτουργίας του εργαλείου και της μπαταρίας. Το εργαλείο σταματάει αυτόματα κατά τη διάρκεια της λειτουργίας εάν το εργαλείο ή η μπαταρία βρεθούν κάτω από τις παρακάτω συνθήκες:

Προστασία υπερφόρτωσης

Όταν η μπαταρία λειτουργεί με τρόπο ώστε να αναγκάζεται να καταναλώνει ασυνήθιστα υψηλό ρεύμα, το εργαλείο σταματάει αυτόματα χωρίς καμία ένδειξη. Σε αυτή την κατάσταση, σβήστε το εργαλείο και διακόψτε την εφαρμογή που προκαλεί την υπερφόρτωση του εργαλείου. Μετά, ενεργοποιήστε το εργαλείο για επανεκκίνηση.

Προστασία υπερθέρμανσης

Όταν το εργαλείο ή η μπαταρία υπερθερμανθεί, η λειτουργία του εργαλείου σταματάει αυτόματα και η λάμπα αναβοσβήνει. Σε αυτή την περίπτωση, αφήστε το εργαλείο και την μπαταρία να ψυχθούν πριν ενεργοποιήσετε ξανά το εργαλείο.

Προστασία υπερβολικής αποφόρτισης

Όταν η φόρτιση μπαταρίας δεν είναι αρκετή, το εργαλείο σταματάει αυτόματα. Σε αυτή την περίπτωση, βγάλτε την μπαταρία από το εργαλείο και φορτίστε την μπαταρία.

Δράση διακόπτη

⚠️ ΠΡΟΕΙΔΟΠΟΙΗΣΗ: Πριν βάλετε την κασέτα μπαταρίας μέσα στο εργαλείο, να ελέγχετε πάντα να δείτε αν η σκανδάλη διακόπτης ενεργοποιείται κανονικά και επιστρέφει στη θέση «OFF» όταν ελευθερώνεται.

► **Εικ.3:** 1. Σκανδάλη διακόπτης

Για να ξεκινήσετε το εργαλείο, τραβήξτε απλώς τη σκανδάλη διακόπτη. Όταν αφήσετε τη σκανδάλη διακόπτη, το εργαλείο σταματάει και επιστρέφει στην αρχική θέση.

Το εργαλείο μπορεί να μην βρίσκεται στην αρχική θέση στις ακόλουθες περιπτώσεις. Επιστρέψτε το εργαλείο στην αρχική θέση τραβώντας και αφήνοντας τη σκανδάλη διακόπτη πριν θέσετε το εργαλείο σε λειτουργία.

- Όταν χρησιμοποιείτε το εργαλείο για πρώτη φορά.
- Αφού τοποθετήσετε ξανά την κασέτα μπαταριών.
- Όταν το εργαλείο σταματήσει λόγω υπερφόρτωσης.
- Αφού εκτελέσετε τη συντήρησή.

Αναμμα της μπροστινής λάμπας

► **Εικ.4:** 1. Λάμπα

⚠️ ΠΡΟΣΟΧΗ: Μην κοιτάζετε κατευθείαν μέσα στο φως ή στην πηγή φωτός.

Τραβήξτε τη σκανδάλη διακόπτη για να ενεργοποιηθεί η λάμπα. Η λάμπα εξακολουθεί να είναι αναμμένη όσο τραβάτε τη σκανδάλη διακόπτη. Η λάμπα σβήνει περίπου 10 δευτερόλεπτα αφού αφήσετε τη σκανδάλη διακόπτη.

ΠΑΡΑΤΗΡΗΣΗ: Χρησιμοποιήστε ένα στεγνό πανί για να σκουπίσετε τη σκόνη από το φακό της λάμπας. Προσέχετε να μη γρατζουνίσετε το φακό της λάμπας, επειδή μπορεί να μειωθεί η ένταση του φωτισμού.

ΣΥΝΑΡΜΟΛΟΓΗΣΗ

⚠️ ΠΡΟΣΟΧΗ: Να βεβαιώνετε πάντα ότι το εργαλείο είναι σβηστό και η κασέτα μπαταρίας έχει αφαιρεθεί πριν εκτελέσετε κάποια εργασία στο εργαλείο.

Τοποθέτηση ή αφαίρεση του συγκροτήματος κεφαλής

Για να αφαιρέσετε το συγκρότημα κεφαλής, ακολουθήστε τα παρακάτω βήματα.

1. Χαλαρώστε το παξιμάδι της κεφαλής και μετά αφαιρέστε την κεφαλή.
► **Εικ.5:** 1. Παξιμάδι 2. Κεφαλή
2. Χαλαρώστε το τεμάχιο μύτης με ένα κλειδί ενώ κρατάτε την κεφαλή με ένα άλλο κλειδί.
► **Εικ.6:** 1. Τεμάχιο μύτης 2. Κεφαλή
3. Χαλαρώστε τη θήκη σιαγόνων με ένα κλειδί ενώ κρατάτε το σύνδεσμο με ένα άλλο κλειδί.
► **Εικ.7:** 1. Θήκη σιαγόνων 2. Σύνδεσμος
4. Αφαιρέστε τον ωστήρα σιαγόνων, το ελατήριο και το σωλήνα.
► **Εικ.8:** 1. Ωστήρας σιαγόνων 2. Ελατήριο 3. Σωλήνας

ΕΙΔΟΠΟΙΗΣΗ: Όταν τοποθετείτε τον ωστήρα σιαγόνων, στερεώστε οπωσδήποτε το ελατήριο στον ωστήρα σιαγόνων.

Για να τοποθετήσετε το συγκρότημα κεφαλής, ακολουθήστε τη διαδικασία αφαίρεσης με αντίστροφη σειρά. Σφίξτε οπωσδήποτε σταθερά τη θήκη σιαγόνων και το τεμάχιο μύτης με δύο κλειδιά.

Γάντζος

▲ ΠΡΟΣΟΧΗ: Αφαιρείτε πάντοτε την μπαταρία όταν κρεμάτε το εργαλείο με το γάντζο.

▲ ΠΡΟΣΟΧΗ: Μην κρεμάτε ποτέ το εργαλείο σε υψηλά σημεία ή πάνω σε πιθανώς ασταθή επιφάνεια.

▲ ΠΡΟΣΟΧΗ: Όταν κρεμάτε το εργαλείο με το γάντζο, να το κρεμάτε προσεκτικά. Διαφορετικά, το εργαλείο μπορεί να πέσει και να προκληθεί τραυματισμός.

► **Εικ.9:** 1. Αυλάκωση 2. Γάντζος 3. Βίδα

Ο γάντζος είναι βολικός για το προσωρινό κρέμασμα του εργαλείου. Μπορεί να τοποθετηθεί σε οποιαδήποτε πλευρά του εργαλείου.

Για να τοποθετήσετε το γάντζο, βάλτε τον σε μια αυλάκωση στο περιβλήμα του εργαλείου σε οποιαδήποτε πλευρά και μετά ασφαλίστε τον με μια βίδα. Για να τον αφαιρέσετε, χαλαρώστε τη βίδα και μετά αφαιρέστε τον.

Τοποθέτηση ή αφαίρεση του δοχείου καρφιών

ΕΙΔΟΠΟΙΗΣΗ: Τοποθετείτε οπωσδήποτε το δοχείο καρφιών στο εργαλείο, πριν θέσετε το εργαλείο σε λειτουργία. Αν το δοχείο καρφιών δεν τοποθετηθεί στο εργαλείο, το εργαλείο δεν θα λειτουργήσει.

Για να αφαιρέσετε το δοχείο καρφιών, περιστρέψτε τον αριστερότροφο. Για να τοποθετήσετε το δοχείο καρφιών, περιστρέψτε τον δεξιότροφο.

► **Εικ.10:** 1. Δοχείο καρφιών

ΛΕΙΤΟΥΡΓΙΑ

▲ ΠΡΟΣΟΧΗ: Κρατήστε το χέρι και το πρόσωπό σας μακριά από το μπροστινό μέρος του εργαλείου. Το πριτσίνι ή το σπασμένο καρφί μπορεί να εκτιναχτεί κατά λάθος και να τραυματιστείτε.

Τοποθέτηση ενός τυφλού πριτσινιού

▲ ΠΡΟΣΟΧΗ: Πριν γεμίσει το δοχείο καρφιών, φροντίστε να το αδειάζετε τακτικά αφαιρώντας το δοχείο καρφιών. Διαφορετικά, μπορεί να υποστεί ζημιά το εργαλείο, και τα κατεστραμμένα μέρη να προκαλέσουν τραυματισμό.

▲ ΠΡΟΣΟΧΗ: Απενεργοποιείτε οπωσδήποτε το εργαλείο κατά την τοποθέτηση ενός τυφλού πριτσινιού στο τεμάχιο μύτης. Διαφορετικά, μπορεί να σας τραυματίσει η μύτη του εργαλείου.

▲ ΠΡΟΣΟΧΗ: Μην αφήνετε τυφλό πριτσίνι στο τεμάχιο μύτης. Αν το εργαλείο ενεργοποιηθεί κατά λάθος, το τυφλό πριτσίνι εκτινάσσεται και μπορεί να προκαλέσει τραυματισμό.

ΕΙΔΟΠΟΙΗΣΗ: Μετά την τοποθέτηση ενός τυφλού πριτσινιού, βεβαιωθείτε να εξαγάγετε το σπασμένο καρφί στο δοχείο καρφιών γέρνοντας το εργαλείο προς τα πίσω πριν τοποθετήσετε το επόμενο τυφλό πριτσίνι. Αν το άκρο του σπασμένου καρφιού προεξέχει από το τεμάχιο μύτης, απενεργοποιήστε το εργαλείο και αφαιρέστε το καρφί. Διαφορετικά, τα σπασμένα καρφιά μπορεί να μπλοκάρουν και να προκληθεί δυσλειτουργία του εργαλείου.

1. Τοποθετήστε το τυφλό πριτσίνι στο τεμάχιο μύτης.
► **Εικ.11:** 1. Τυφλό πριτσίνι 2. Τεμάχιο μύτης

2. Πιέστε τη μύτη του εργαλείου πάνω στο τεμάχιο εργασίας και μετά τραβήξτε τη σκανδάλη διακόπτη. Όταν κοπεί το καρφί, αφήστε τη σκανδάλη διακόπτη.
► **Εικ.12**

Πριν γεμίσει το δοχείο καρφιών, φροντίστε να το αδειάζετε τακτικά αφαιρώντας το δοχείο καρφιών.

Διαθέσιμα τυφλά πριτσίνια

ΕΙΔΟΠΟΙΗΣΗ: Αν χρησιμοποιήσετε τεμάχιο μύτης, σιαγόνα, ωστήρα σιαγόνων ή σωλήνα που δεν ταιριάζει με τη διάμετρο του καρφιού, μπορεί να μην γίνει σταθερή σύσφιξη, να μπλοκάρει το καρφί ή να παρουσιάσει δυσλειτουργία το εργαλείο.

Ανατρέξτε στον παρακάτω πίνακα για το συνδυασμό πριτσινιού, τεμαχίου μύτης, σιαγόνα, ωστήρα σιαγόνων και σωλήνα.

ΠΑΡΑΤΗΡΗΣΗ: Μερικά στοιχεία του πίνακα μπορεί να περιλαμβάνονται στη συσκευασία του εργαλείου ως στάνταρ εξαρτήματα, και μερικά στοιχεία του πίνακα παρέχονται ως προαιρετικά εξαρτήματα. Μπορεί να διαφέρουν ανάλογα με τη χώρα.

Για DRV150

Πριτσίνι		Τεμάχιο μύτης		Ένδειξη στη σιαγόνα	Ωστήρας σιαγόνων		Σωλήνας	
Μέγεθος	Διάμετρος καρφιού	Ένδειξη στο τεμάχιο μύτης	Διάμετρος οπής		Διάμετρος οπής	Χρώμα	Διάμετρος οπής	Χρώμα
ø2,4 mm (3/32")	ø1,4 - 1,6 mm	2.4	ø1,9 mm	4.8	ø1,9 mm	Γκρι	ø2,2 mm	Ασημί
ø3,2 mm (1/8")	ø1,8 - 2,1 mm	3.2	ø2,4 mm	4.8	ø2,5 mm	Μαύρο	ø2,6 mm	Μαύρο
ø4,0 mm (5/32")	ø2,2 - 2,6 mm	4.0	ø3,0 mm	4.8	ø3,1 mm	Γκρι	Κανένα *	-
ø4,8 mm (3/16")	ø2,6 - 3,2 mm	4.8	ø3,6 mm	4.8	ø3,6 mm	Μαύρο	Κανένα *	-

*. Ο σωλήνας δεν είναι απαραίτητος για τη λειτουργία.

Για DRV250

Πριτσίνι		Τεμάχιο μύτης		Ένδειξη στη σιαγόνα	Ωστήρας σιαγόνων		Σωλήνας	
Μέγεθος	Διάμετρος καρφιού	Ένδειξη στο τεμάχιο μύτης	Διάμετρος οπής		Διάμετρος οπής	Χρώμα	Διάμετρος οπής	Χρώμα
ø2,4 mm (3/32")	ø1,4 - 1,6 mm	2.4	ø1,9 mm	4.8	ø1,9 mm	Γκρι	ø2,2 mm	Ασημί
ø3,2 mm (1/8")	ø1,8 - 2,1 mm	3.2	ø2,4 mm	4.8	ø2,5 mm	Μαύρο	ø2,6 mm	Μαύρο
ø4,0 mm (5/32")	ø2,2 - 2,6 mm	4.0	ø3,0 mm	4.8	ø3,1 mm	Γκρι	ø3,4 mm	Ασημί
ø4,8 mm (3/16")	ø2,6 - 3,2 mm	4.8	ø3,6 mm	4.8 ή 6.4	ø3,6 mm	Μαύρο	ø4,1 mm	Μαύρο
ø6,0 mm (1/4") *	ø3,1 - 3,5 mm	6.0	ø4,0 mm	6.4	ø4,0 mm	Γκρι	ø4,1 mm	Μαύρο
ø6,4 mm (1/4") *	ø3,5 - 3,9 mm	6.4	ø4,4 mm	6.4	ø4,6 mm	Μαύρο	ø4,5 mm	Ασημί

*. Το πριτσίνι ανοξείδωτο ατσάλιου δεν διατίθεται.

ΣΥΝΤΗΡΗΣΗ

⚠ ΠΡΟΣΟΧΗ: Πριν την εκτέλεση εργασιών επιθεώρησης ή συντήρησης, πάντοτε να βεβαιώνετε ότι η συσκευή απενεργοποιήθηκε και η κασέτα μπαταριών έχει αφαιρεθεί.

ΕΙΔΟΠΟΙΗΣΗ: Μην χρησιμοποιείτε ποτέ βενζίνη, πετρελαϊκό αιθέρα, διαλυτικό, αλκοόλη ή παρόμοιες ουσίες. Μπορεί να προκληθεί αποχρωματισμός, παραμόρφωση ή ρωγμές.

Για τη διατήρηση της ΑΣΦΑΛΕΙΑΣ και ΑΞΙΟΠΙΣΤΙΑΣ του προϊόντος, οι επισκευές και οποιαδήποτε άλλη εργασία συντήρησης ή ρύθμισης πρέπει να εκτελούνται από εξουσιοδοτημένα ή εργοστασιακά κέντρα εξυπηρέτησης της Makita, χρησιμοποιώντας πάντοτε ανταλλακτικά της Makita.

Καθαρισμός των σιαγόνων και της θήκης σιαγόνων

Μεσοδιάστημα καθαρισμού: Κάθε 3.000 τοποθετήσεις πριτσινιών

Αν συσσωρευτεί σκόνη, μειώνεται η κίνηση των σιαγόνων και μπορεί να επιταχυνθεί η φθορά των σιαγόνων και της θήκης σιαγόνων. Για καθαρίσετε τις σιαγόνες και τη θήκη σιαγόνων, ακολουθήστε τα παρακάτω βήματα.

1. Αφαιρέστε τη θήκη σιαγόνων. Για τη διαδικασία αφαίρεσης ανατρέξτε στις οδηγίες αφαίρεσης του συγκροτήματος κεφαλής.
2. Αφαιρέστε τις σιαγόνες από τη θήκη σιαγόνων.

► **Εικ.13:** 1. Θήκη σιαγόνων 2. Σιαγόνα

3. Καθαρίστε τις σιαγόνες και τη θήκη σιαγόνων με μια βούρτσα. Αφαιρέστε τη σκόνη μετάλλου που έχει φραχθεί μεταξύ των δοντιών των σιαγόνων.

4. Εφαρμόστε ομοιόμορφα γράσο που βασίζεται σε δισουλφίδιο μολυβδαινίου στην εσωτερική περιφέρεια της θήκης σιαγόνων.

► **Εικ.14:** 1. Περιοχή για εφαρμογή γράσου 2. Θήκη σιαγόνων

5. Τοποθετήστε τις σιαγόνες στη θήκη σιαγόνων.

► **Εικ.15:** 1. Σιαγόνα 2. Θήκη σιαγόνων

ΕΙΔΟΠΟΙΗΣΗ: Όταν τοποθετείτε τις σιαγόνες, φροντίστε να ευθυγραμμίσετε τις μύτες των σιαγόνων.

6. Τοποθετήστε τη θήκη σιαγόνων. Αν το γράσο προσκολληθεί στις μύτες των σιαγόνων, σκουπίστε και αφαιρέστε το γράσο με ένα στεγνό πανί.

► **Εικ.16:** 1. Περιοχή όπου δεν πρέπει να προσκολληθεί γράσο 2. Σιαγόνα

7. Τοποθετήστε το συγκρότημα κεφαλής.

8. Σκουπίστε το γράσο από τις σιαγόνες.

Εισαγάγετε ένα πριτσίνι στο τεμάχιο μύτης, μετά κουνήστε το πριτσίνι πάνω-κάτω και αριστερά-δεξιά, αφαιρέστε το πριτσίνι από το τεμάχιο μύτης και, στη συνέχεια, σκουπίστε το γράσο από το πριτσίνι με ένα στεγνό πανί. Επαναλάβετε την ίδια διαδικασία δύο ή 3 φορές.

ΕΙΔΟΠΟΙΗΣΗ: Αν το γράσο προσκολληθεί στη μύτη ή στο εσωτερικό της σιαγόνας, οι σιαγόνες μπορεί να ολισθήσουν κατά τη λειτουργία.

Αντικατάσταση των σιαγόνων στη θήκη σιαγόνων

Αν οι σιαγόνες στη θήκη σιαγόνων έχουν φθαρεί, αντικαταστήστε τις με καινούργιες. Για την αντικατάσταση των σιαγόνων, ακολουθήστε τις ίδια διαδικασίες για τον καθαρισμό των σιαγόνων και της θήκης σιαγόνων. Όταν τοποθετείτε σιαγόνες στη θήκη σιαγόνων, να τοποθετείτε καινούριες σιαγόνες.

Αφαίρεση μπλοκαρισμένου πριτσινιού

Αν το πριτσίνι μπλοκάρει μέσα στο εργαλείο, αφαιρέστε το χρησιμοποιώντας ένα εργαλείο, όπως έναν πείρο. Αν είναι δύσκολο να αφαιρέσετε το μπλοκαρισμένο πριτσίνι, αντικαταστήστε τον ωστήρα σιαγόνων ή τον σωλήνα με καινούργιο. Για τη διαδικασία αντικατάστασης ανατρέξτε στις οδηγίες τοποθέτησης ή αφαίρεσης του συγκροτήματος κεφαλής.

ΠΡΟΑΙΡΕΤΙΚΑ ΕΞΑΡΤΗΜΑΤΑ

ΠΡΟΣΟΧΗ: Αυτά τα εξαρτήματα ή προσαρτήματα συνιστώνται για χρήση με το εργαλείο Makita που περιγράφηκε στις οδηγίες αυτές. Η χρήση οποιωνδήποτε άλλων εξαρτημάτων ή προσαρτημάτων μπορεί να προκαλέσει κίνδυνο τραυματισμού σε άτομα. Να χρησιμοποιείτε τα εξαρτήματα ή προσαρτήματα μόνο για την χρήση που προορίζονται.

Εάν χρειάζεστε οποιαδήποτε βοήθεια για περισσότερες πληροφορίες σε σχέση με αυτά τα εξαρτήματα, απαντήστε στο τοπικό σας κέντρο εξυπηρέτησης Makita.

- Τεμάχιο μύτης
- Ωστήρας σιαγόνων
- Σιαγόνα
- Σωλήνας
- Γράσο
- Γνήσια μπαταρία και φορτιστής της Makita

ΠΑΡΑΤΗΡΗΣΗ: Μερικά στοιχεία στη λίστα μπορεί να συμπεριλαμβάνονται στη συσκευασία εργαλείου ως στάνταρ εξαρτήματα. Μπορεί να διαφέρουν ανάλογα με τη χώρα.

TEKNİK ÖZELLİKLER

Model:	DRV150	DRV250
Çekme kuvveti	10 kN	20 kN
Hareket aralığı	25 mm	30 mm
Tam uzunluk	313 mm	323 mm
Anma voltajı	D.C. 18 V	
Net ağırlık	1,9 - 2,2 kg	2,1 - 2,4 kg

- Sürekli yapılan araştırma ve geliştirmelerden dolayı, burada belirtilen özellikler önceden bildirilmeksizin değiştirilebilir.
- Özellikler ülkeden ülkeye değişebilir.
- Ağırlık, eklî aksesuara/aksesuarlara ve batarya kartuşuna bağlı olarak farklılık gösterebilir. EPTA-Prosedürü 01/2014'e göre en hafif ve en ağır kombinasyonlar tabloda verilmiştir.

Geçerli batarya kartuşu ve şarj aleti

Batarya kartuşu	BL1815N / BL1820 / BL1820B / BL1830 / BL1830B / BL1840 / BL1840B / BL1850 / BL1850B / BL1860B
Şarj aleti	DC18RC / DC18RD / DC18RE / DC18SD / DC18SE / DC18SF / DC18SH

- Yukarıda listelenen batarya kartuşlarının ve şarj aletlerinin bazıları yaşadığınız bölgeye bağlı olarak mevcut olmayabilir.

⚠UYARI: Sadece yukarıda listelenen batarya kartuşlarını ve şarj aletlerini kullanın. Başka batarya kartuşlarının ve şarj aletlerinin kullanılması yaralanma ve/veya yangına neden olabilir.

Kullanım amacı

Bu alet, pop perçin çakmak üzere tasarlanmıştır.

Gürültü

Tipik A-ağırlıklı gürültü düzeyi (EN62841-1 standardına göre belirlenen):

Model DRV150

Ses basınç seviyesi (L_{pA}): 75 dB (A)

Belirsizlik (K): 3 dB (A)

Model DRV250

Ses basınç seviyesi (L_{pA}): 74 dB (A)

Belirsizlik (K): 3 dB (A)

İşlem sırasında gürültü seviyesi 80 dB (A)'yi geçebilir.

NOT: Beyan edilen gürültü emisyonu değer(ler)i bir standart test yöntemine uygun şekilde ölçülmüştür ve bir aleti bir başkasıyla karşılaştırmak için kullanılabilir.

NOT: Beyan edilen gürültü emisyonu değer(ler)i bir ön maruz kalma değerlendirmesi olarak da kullanılabilir.

⚠UYARI: Kulak koruyucuları takın.

⚠UYARI: Elektrikli aletin gerçek kullanımı sırasındaki gürültü emisyonu, aletin kullanım biçimlerine, özellikle işlenen iş parçasının türüne bağlı olarak beyan edilen değer(ler)den farklı olabilir.

⚠UYARI: Gerçek kullanım koşullarındaki tahmini maruziyeti baz alan, operatörü koruyacak güvenlik önlemlerini mutlaka belirleyin (çalışma döngüsü içerisinde aletin kapalı olduğu ve aktif durumda olmasının yanı sıra boşta çalıştığı zamanlar gibi, bütün zaman dilimleri göz önünde bulundurarak).

Titreşim

Titreşim toplam değeri (üç eksenli vektör toplamı) (EN62841-1 standardına göre hesaplanan):

Model DRV150

Çalışma modu: Pop perçinin çakılması

Titreşim emisyonu (a_h): 2,5 m/s² den az

Belirsizlik (K): 1,5 m/s²

Model DRV250

Çalışma modu: Pop perçinin çakılması

Titreşim emisyonu (a_h): 2,5 m/s² den az

Belirsizlik (K): 1,5 m/s²

NOT: Beyan edilen titreşim toplam değer(ler)i bir standart test yöntemine uygun şekilde ölçülmüştür ve bir aleti bir başkasıyla karşılaştırmak için kullanılabilir.

NOT: Beyan edilen titreşim toplam değer(ler)i bir ön maruz kalma değerlendirmesi olarak da kullanılabilir.

⚠UYARI: Elektrikli aletin gerçek kullanımı sırasındaki titreşim emisyonu, aletin kullanım biçimlerine, özellikle işlenen iş parçasının türüne bağlı olarak beyan edilen değer(ler)den farklı olabilir.

⚠UYARI: Gerçek kullanım koşullarındaki tahmini maruziyeti baz alan, operatörü koruyacak güvenlik önlemlerini mutlaka belirleyin (çalışma döngüsü içerisinde aletin kapalı olduğu ve aktif durumda olmasının yanı sıra boşta çalıştığı zamanlar gibi, bütün zaman dilimleri göz önünde bulundurarak).

EC Uygunluk Beyanı

Sadece Avrupa ülkeleri için

EC uygunluk beyanı bu kullanım kılavuzuna Ek A olarak eklenmiştir.

GÜVENLİK UYARILARI

Genel elektrikli alet güvenliği uyarıları

⚠UYARI: Bu elektrikli aletle birlikte sunulan tüm güvenlik uyarılarını, talimatları, çizimleri ve teknik özellikleri okuyun. Aşağıda verilen talimatlara uyulmaması elektrik şoku, yangın ve/veya ciddi yaralanmalar ile sonuçlanabilir.

Tüm uyarıları ve talimatları ile- ride başvurmak için saklayın.

Uyarılardaki "elektrikli alet" terimi ile ya prizden çalışın (kordonlu) elektrikli aletinizi ya da kendi aküsü ile çalışın (kordonsuz) elektrikli aletinizi kastedilmektedir.

Akülü perçin tabancası güvenlik uyarıları

1. Makineyi sıkıca tutun.
2. Ellerinizi hareketli parçalardan uzak tutun.
3. Daima yere sağlam bastığınızdan emin olun. Aleti yüksek yerlerde kullanırken aşağıda kimse olmadığınızdan emin olun.
4. Kopan çiviği yüksek yerlerden düşürmemeye dikkat edin. Aksi takdirde kaza veya yaralanmaya neden olabilir.
5. Kopan çivileri zemine saçmayın. Kopan çivinin keskin ucu nedeniyle veya çiviye basıp kayarak yaralanabilirsiniz.
6. Aleti kullanırken aleti insanlara veya kendinize doğrultmayın. Perçin veya kopan çivi kazara fırlayabilir ve yaralanabilirsiniz.

Batarya kartuşu hakkında önemli güvenlik talimatları

1. Batarya kartuşunu kullanmadan önce, tüm talimatları ve (1) batarya kartuşu, (2) batarya ve (3) ürün üzerindeki tüm uyarı işaretlerini okuyun.
2. Batarya kartuşunu demonte etmeyin.
3. Çalışma süresi aşırı derecede kısalmışsa kullanmayı derhal bırakın. Aşırı ısınma, yanma riski hatta patlamaya neden olabilir.
4. Gözünüze elektrolit kaçarsa, gözlerinizi temiz suyla durulayın ve hemen tıbbi yardım alın. Görme kaybına yol açabilir.
5. Batarya kartuşuna kısa devre yaptırmayın:
 - (1) Terminallere herhangi bir iletken madde değdirmeyin.
 - (2) Batarya kartuşunu çiviler, madeni paralar, vb. gibi başka metal nesnelere aynı kaba koymaktan kaçının.
 - (3) Batarya kartuşunu yağmura ya da suya maruz bırakmayın.

Kısa devre, büyük bir akım akışına, aşırı ısınmaya, olası yangınlara hatta bataryanın bozulmasına yol açabilir.

6. Aleti ve batarya kartuşunu sıcaklığın 50°C ya da daha yükseğe ulaştığı yerlerde saklamayın.
7. Aşırı derecede hasar görmüş ya da tamamen kullanılamaz durumda olsa bile batarya kartuşunu yakmayın. Batarya kartuşu ateşe atılırsa patlayabilir.
8. Bataryayı düşürmemeye ve çarpmamaya dikkat edin.
9. Hasarlı bataryayı kullanmayın.
10. Aletin içerdiği lityum-iyon bataryalar Tehlikeli Eşyalar Yönetmeliğinin gereksinimlerine tabidir.

Ticari nakliye işlemleri için, örneğin üçüncü taraflar, nakliye acenteleri tarafından yapılan nakliyelerde, paketleme ve etiketleme gereksinimleri uyulmalıdır.

Nakliyesi yapılacak ürünün hazırlanması için, tehlikeli maddeler konusunda uzman bir kişiye danışın. Lütfen muhtemelen daha ayrıntılı olan ulusal yönetmeliklere de uyun.

Açık kontakları bantlayın ya da maskeleyin ve bataryayı paketin içinde hareket etmeyecek şekilde paketleyin.
11. Batarya kartuşunu bertaraf ederken aletten çıkarın ve güvenli bir yerde bertaraf edin. Bataryanın bertaraf edilmesi ile ilgili yerel düzenlemelere uyunuz.
12. Bataryaları sadece Makita tarafından belirtilen ürünlerle kullanın. Bataryaların uyumsuz ürünlere takılması; yangın, aşırı ısınma, patlama ya da elektrolit sızıntısına neden olabilir.
13. Alet uzun süre kullanılmayacaksa batarya aletten çıkarılmalıdır.

BU TALİMATLARI MUHAFAZA EDİNİZ.

⚠DİKKAT: Sadece orijinal Makita bataryalarını kullanın. Orijinal olmayan Makita bataryaları ya da üzerine değişiklik yapılmış bataryaların kullanımı bataryanın patlamasına ve sonuç olarak yangın, kişisel yaralanma ve hasara neden olabilir. Ayrıca Makita aleti ve şarj aletinin Makita tarafından sunulan garantisini geçersiz olur.

Maksimum batarya ömrü için ipuçları

1. Batarya kartuşunu tamamen boşalmadan önce şarj edin. Aletin gücünün zayıflamaya başladığını fark ettiğinizde aleti durdurun ve batarya kartuşunu şarj edin.
2. Tam dolu bir batarya kartuşunu asla yeniden şarj etmeyin. Aşırı şarj etme bataryanın hizmet ömrünü kısaltır.
3. Batarya kartuşunu 10°C - 40°C oda sıcaklığında şarj edin. Sıcak bir batarya kartuşunu şarj etmeden önce soğumasını bekleyin.
4. Uzun bir süre (altı aydan daha fazla) kullanmadığınız durumlarda batarya kartuşunu şarj edin.

İŞLEVSEL NİTELİKLER

⚠️ DİKKAT: Alet üzerinde ayarlama veya işleyiş kontrolü yapmadan önce aletin kapalı ve batarya kartuşunun ayrılmış olduğundan daima emin olun.

Batarya kartuşunun takılması ve çıkarılması

⚠️ DİKKAT: Batarya kartuşunu takmadan ya da çıkarmadan önce aleti daima kapatın.

⚠️ DİKKAT: Batarya kartuşunu takarken veya çıkarırken aleti ve batarya kartuşunu sıkıca tutun. Aletin ve batarya kartuşunun sıkıca tutulmaması bunların düşürülmesine sebep olabilir ve alet ve batarya kartuşunun zarar görmesine ya da ciddi yaralanmasına yol açabilir.

► **Şek.1:** 1. Kırmızı gösterge 2. Düşme 3. Batarya kartuşu

Batarya kartuşunu çıkarmak için, kartuşun ön tarafındaki düğmeyi kaydırarak kartuşu aletten çıkarın.

Batarya kartuşunu takmak için, batarya kartuşu üzerindeki dili yuvanın çentiği ile hizalayın ve yerine oturtun. Hafif bir tık sesi duyulana kadar itip yerine tam oturmasını sağlayın. Düşmenin üst tarafındaki kırmızı gösterge görünüyorsa tam yerine kilitlenmemiş demektir.

⚠️ DİKKAT: Batarya kartuşunu daima kırmızı gösterge görünmeyecek şekilde tam olarak takın. Yerine tam oturmazsa, aletten yanlışlıkla düşebilir, sizin ya da çevrenizdeki kişilerin yaralanmasına neden olabilir.

⚠️ DİKKAT: Batarya kartuşunu zorlayarak takmayın. Kartuş kolay bir şekilde kaymıyorsa doğru yerleştirilmemiş demektir.

Kalan batarya kapasitesinin gösterilmesi

Sadece göstergeli batarya kartuşları için

► **Şek.2:** 1. Gösterge lambaları 2. Kontrol düğmesi

Kalan batarya kapasitesini göstermesi için batarya kartuşu üzerindeki kontrol düğmesine basın. Gösterge lambaları birkaç saniye yanar.

Gösterge lambaları			Kalan kapasite
Yanıyor	Kapalı	Yanıp söniyor	
■	□	▣	%75 ila %100
■ ■ ■ ■			
■ ■ ■ □			%50 ila %75
■ ■ □ □			%25 ila %50
■ □ □ □			%0 ila %25
▣ □ □ □			Bataryayı şarj edin.
■ ■ □ □			Batarya arızalanmış olabilir.
□ □ ■ ■			

NOT: Kullanım koşullarına ve ortam sıcaklığına bağlı olarak, gösterilen değer gerçek kapasiteden biraz farklılık gösterebilir.

Alet/batarya koruma sistemi

Bu alet bir alet/batarya koruma sistemi ile donatılmıştır. Bu sistem motora giden gücü otomatik olarak keserek uzun alet ve batarya ömrü sağlar. Alet veya batarya için aşağıdaki durumlardan biri söz konusu olduğunda aletin işleyişi otomatik olarak durur:

Aşırı yük koruması

Batarya, anormal derecede yüksek akım çekmesine neden olacak şekilde kullanıldığında, alet hiçbir belirti vermeden otomatik olarak durur. Bu durumda, aleti kapatın ve aletin aşırı yüklenmesine neden olan uygulamayı durdurun. Daha sonra aleti yeniden başlaması için çalıştırın.

Aşırı ısınma koruması

Alet veya batarya aşırı ısındığında otomatik olarak durur ve lamba yanıp söner. Bu durumda, yeniden çalıştırmadan önce aletin ve bataryanın soğumasını bekleyin.

Aşırı deşarj koruması

Batarya kapasitesi yeterli olmadığında, alet otomatik olarak durur. Bu durumda, bataryayı aletten çıkarın ve bataryayı şarj edin.

Anahtar işlemi

⚠️ UYARI: Batarya kartuşunu alete takmadan önce anahtar tetiğin doğru çalıştığından ve bırakıldığında "OFF" (kapalı) konumuna döndüğünden emin olun.

► **Şek.3:** 1. Anahtar tetik

Aleti çalıştırmak için anahtar tetiği çekmeniz yeterlidir. Anahtar tetiği bıraktığınızda alet durur ve başlangıç konumuna döner.

Alet aşağıdaki durumlarda başlangıç konumuna dönmeyebilir. Aleti çalıştırmadan önce anahtar tetiği çekip bırakarak aleti başlangıç konumuna döndürün.

- Aleti ilk kez kullanırken.
- Batarya kartuşunu değiştirdikten sonra.
- Alet aşırı yük nedeniyle durduğunda.
- Bakım yaptıktan sonra.

Ön lambanın yakılması

► **Şek.4:** 1. Lamba

⚠️ DİKKAT: Işığa bakmayın ya da ışık kaynağını doğrudan görmeyin.

Lambayı yakmak için anahtar tetiği çekin. Anahtar tetik çekilirken lamba yanmaya devam eder. Anahtar tetik serbest bırakıldıktan yaklaşık 10 saniye sonra lamba söner.

NOT: Lamba lensini temizlemek için kuru bir bez kullanın. Aydınlatmayı azaltacağı için lamba lensinin çizilmemesine dikkat edin.

MONTAJ

⚠DİKKAT: Alet üzerinde herhangi bir iş yapmadan önce aletin kapalı ve batarya kartuşunun ayrılmış olduğundan daima emin olun.

Başlık grubunun takılması veya çıkarılması

Başlık grubunu çıkarmak için aşağıdaki adımları izleyin.

1. Başlık somununu gevşetin ve daha sonra başlığı çıkarın.
► **Şek.5:** 1. Somun 2. Başlık
2. Başlığı bir anahtarla tutarak burun parçasını başka bir anahtarla gevşetin.
► **Şek.6:** 1. Burun parçası 2. Başlık
3. Mafsalı anahtarla tutarak çene mahfazasını başka bir anahtarla gevşetin.
► **Şek.7:** 1. Çene mahfazası 2. Mafsal
4. Çene itici, yay ve boruyu çıkarın.
► **Şek.8:** 1. Çene itici 2. Yay 3. Boru

ÖNEMLİ NOT: Çene iticiyi monte ederken çene iticiye yayı mutlaka takın.

Başlık grubunu monte etmek için, çıkarma prosedürünü tersinden izleyin. Çene muhafazası ve burun parçasını iki anahtarla mutlaka iyice sıkın.

KULLANIM

⚠DİKKAT: Elinizi veya yüzünüzü aletin ön kısmından uzak tutun. Perçin veya kopan çivi kazara fırlayabilir ve yaralanabilirsiniz.

Pop perçinin çakılması

⚠DİKKAT: Çivi kabı dolmadan önce çivi kabını çıkararak düzenli olarak boşaltın. Aksi takdirde alet hasar görebilir ve hasarlı parçalar yaralanmaya neden olabilir.

⚠DİKKAT: Burun parçasına bir pop perçin takarken aleti mutlaka kapatın. Aksi takdirde aletin ucu ile yaralanabilirsiniz.

⚠DİKKAT: Burun parçasında pop perçin bırakmayın. Alet kazara çalıştırılırsa pop perçin fırlayabilir ve yaralanmaya neden olabilir.

ÖNEMLİ NOT: Bir pop perçin çaktıktan sonra bir sonraki pop perçini çakmadan önce aleti geriye doğru yatırarak kopan çiviyi çivi kabına çıkardığınızdan emin olun. Kopan çivinin ucu burun parçasından dışarı çıkarsa aleti kapatın ve çiviyi çıkarın. Aksi takdirde kopan çiviler tıkanabilir ve aletin arızalanmasına neden olabilir.

Kanca

⚠DİKKAT: Aleti kanca ile asarken bataryayı daima çıkarın.

⚠DİKKAT: Aleti yüksek ya da dengesi bozulabilecek bir yüzeye asla asmayın.

⚠DİKKAT: Aleti kanca ile asarken dikkatlice asın. Aksi takdirde alet düşerek yaralanmaya neden olabilir.

► **Şek.9:** 1. Oluk 2. Kanca 3. Vida

Kanca, aletin geçici bir süre asılması için kullanışlıdır. Bu kanca, aletin her iki yanına da takılabilir. Kancayı takmak için, onu alet gövdesinin her iki yanındaki oluklardan birine geçirin ve sonra bir vida ile sabitleyin. Çıkarmak için, vidayı gevşetin ve sonra dışarı çekip alın.

Çivi kabının takılması veya çıkarılması

ÖNEMLİ NOT: Aleti çalıştırmadan önce çivi kabını alete taktığınızdan emin olun. Çivi kabı alete takılmazsa alet çalışmaz.

Çivi kabını çıkarmak için saatin aksi yönünde çevirin. Çivi kabını takmak için saat yönünde çevirin.

► **Şek.10:** 1. Çivi kabı

1. Pop perçini burun parçasına takın.
► **Şek.11:** 1. Pop perçin 2. Burun parçası

2. Aletin ucunu iş parçasına doğru bastırın ve ardından anahtar tetiği çekin. Çivi koştuktan sonra anahtar tetiği serbest bırakın.

► **Şek.12**

Çivi kabı dolmadan önce çivi kabını çıkararak düzenli olarak boşaltın.

Kullanılabilir pop perçinler

ÖNEMLİ NOT: Çivi çapına uygun olmayan burun parçası, çene, çene itici veya boru kullanılması zayıf sabitlemeye, çivinin tıkanmasına veya aletin arızalanmasına neden olabilir.

Perçin, burun parçası, çene, çene itici ve boru kombinasyonu için aşağıdaki tabloya bakın.

NOT: Tablodaki bazı kalemler aletin ambalajında standart aksesuar olarak yer alabilir ve tablodaki bazı kalemler isteğe bağlı aksesuar olarak sağlanır. Bunlar ülkeden ülkeye değişebilir.

DRV150 için

Perçin		Burun parçası		Çene üzerindeki işaret	Çene itici		Boru	
Boyut	Çivi çapı	Burun parçası üzerindeki işaret	Delik çapı		Delik çapı	Renk	Delik çapı	Renk
ø2,4 mm (3/32")	ø1,4 - 1,6 mm	2.4	ø1,9 mm	4.8	ø1,9 mm	Gri	ø2,2 mm	Gümüş
ø3,2 mm (1/8")	ø1,8 - 2,1 mm	3.2	ø2,4 mm	4.8	ø2,5 mm	Siyah	ø2,6 mm	Siyah
ø4,0 mm (5/32")	ø2,2 - 2,6 mm	4.0	ø3,0 mm	4.8	ø3,1 mm	Gri	Yok *	-
ø4,8 mm (3/16")	ø2,6 - 3,2 mm	4.8	ø3,6 mm	4.8	ø3,6 mm	Siyah	Yok *	-

*. İşlem için boru gerekmez.

DRV250 için

Perçin		Burun parçası		Çene üzerindeki işaret	Çene itici		Boru	
Boyut	Çivi çapı	Burun parçası üzerindeki işaret	Delik çapı		Delik çapı	Renk	Delik çapı	Renk
ø2,4 mm (3/32")	ø1,4 - 1,6 mm	2.4	ø1,9 mm	4.8	ø1,9 mm	Gri	ø2,2 mm	Gümüş
ø3,2 mm (1/8")	ø1,8 - 2,1 mm	3.2	ø2,4 mm	4.8	ø2,5 mm	Siyah	ø2,6 mm	Siyah
ø4,0 mm (5/32")	ø2,2 - 2,6 mm	4.0	ø3,0 mm	4.8	ø3,1 mm	Gri	ø3,4 mm	Gümüş
ø4,8 mm (3/16")	ø2,6 - 3,2 mm	4.8	ø3,6 mm	4.8 veya 6.4	ø3,6 mm	Siyah	ø4,1 mm	Siyah
ø6,0 mm (1/4") *	ø3,1 - 3,5 mm	6.0	ø4,0 mm	6.4	ø4,0 mm	Gri	ø4,1 mm	Siyah
ø6,4 mm (1/4") *	ø3,5 - 3,9 mm	6.4	ø4,4 mm	6.4	ø4,6 mm	Siyah	ø4,5 mm	Gümüş

*. Paslanmaz çelik perçin mevcut değildir.

BAKIM

⚠ DİKKAT: Muayene ya da bakım yapmadan önce aletin kapalı ve batarya kartuşunun çıkartılmış olduğundan daima emin olun.

ÖNEMLİ NOT: Benzin, tiner, alkol ve benzeri maddeleri kesinlikle kullanmayın. Renk değişimi, deformasyon veya çatlaklar oluşabilir.

Aleti EMNİYETLİ ve ÇALIŞMAYA HAZIR durumda tutmak için onarımlar, başka her türlü bakım ve ayarlamalar daima Makita yedek parçaları kullanılarak Makita yetkili servis merkezleri veya Fabrikanın Servis Merkezleri tarafından yapılmalıdır.

Çenelerin ve çene mahfazasının temizlenmesi

Temizleme aralığı: Her 3.000 perçin çakmada bir Toz birikirse çenelerin hareketini bozar, çenelerin ve çene mahfazasının aşınmasını hızlandırır. Çeneleri ve çene mahfazasını temizlemek için aşağıdaki adımları izleyin.

1. Çene mahfazasını çıkarın. Çıkarma prosedürü için başlık grubu çıkarma talimatlarına bakın.
2. Çeneleri çene mahfazasından çıkarın.
► **Şek.13:** 1. Çene mahfazası 2. Çene
3. Çeneleri ve çene mahfazasını bir fırça ile temizleyin. Çenelerin dişleri arasında tıkanan metal tozu çıkarın.

4. Çene mahfazasının iç yüzeyine eşit miktarda molibden disülfür esaslı gres sürün.
► **Şek.14:** 1. Gres sürülecek bölge 2. Çene mahfazası

5. Çeneleri çene mahfazasına takın.
► **Şek.15:** 1. Çene 2. Çene mahfazası

ÖNEMLİ NOT: Çeneleri takarken çenelerin uçlarını mutlaka hizalayın.

6. Çene mahfazasını takın. Çenelerin uçlarına gres yapıştırsa gresi kuru bir bez ile silin.
► **Şek.16:** 1. Gres yapışmaması gereken bölge
2. Çene

7. Başlık grubunu takın.

8. Çenelerden gresi silin.

Burun parçasına bir perçin sokun, ardından yukarı aşağı, sola sağa hareket ettirin, daha sonra burun parçasından çıkarın ve ardından perçinden gresi kuru bir bezle silin. Aynı işlemi iki veya 3 kez tekrarlayın.

ÖNEMLİ NOT: Çenenin ucuna veya içine gres yapıştırsa çalışma sırasında çeneler kayabilir.

Çene mahfazasındaki çenelerin değiştirilmesi

Çene mahfazasındaki çeneler aşınırsa yenileriyle değiştirin. Çeneleri değiştirmek için çeneleri ve çene mahfazasını temizleme prosedürü ile aynı prosedürü izleyin. Çeneleri çene mahfazasına takarken yeni çeneler takın.

Sıkışan perçinin çıkarılması

Aletin içinde perçin sıkıştırsa iğne gibi bir alet kullanarak çıkarın. Sıkışan perçini çıkarmakta zorlanırsanız çene iticiyi veya boruyu yenisi ile değiştirin. Değiştirme prosedürü için başlık grubu takma veya çıkarma talimatlarına bakın.

İSTEĞE BAĞLI AKSESUARLAR

⚠DİKKAT: Bu aksesuarlar ve ek parçalar bu el kitabında belirtilen Makita aletiniz ile kullanılmak için tavsiye edilmektedir. Herhangi başka bir aksesuar ya da ek parça kullanılması insanlar için bir yaralanma riski getirebilir. Aksesuarları ya da ek parçaları yalnızca belirtilmiş olan kullanım amaçlarına uygun olarak kullanın.

Bu aksesuarlarla ilgili daha fazla bilgiye ihtiyaç duyarsanız bulunduğunuz yerdeki yetkili Makita servisine başvurun.

- Burun parçası
- Çene itici
- Çene
- Boru
- Gres yağı
- Orijinal Makita batarya ve şarj aleti

NOT: Listedeki parçaların bazıları alet paketi içerisinde standart aksesuar olarak dahil edilmiş olabilir. Bunlar ülkeden ülkeye farklılık gösterebilir.

Makita Europe N.V. Jan-Baptist Vinkstraat 2,
3070 Kortenberg, Belgium

Makita Corporation 3-11-8, Sumiyoshi-cho,
Anjo, Aichi 446-8502 Japan

www.makita.com

885691-993
EN, FR, DE, IT, NL,
ES, PT, DA, EL, TR
20190715