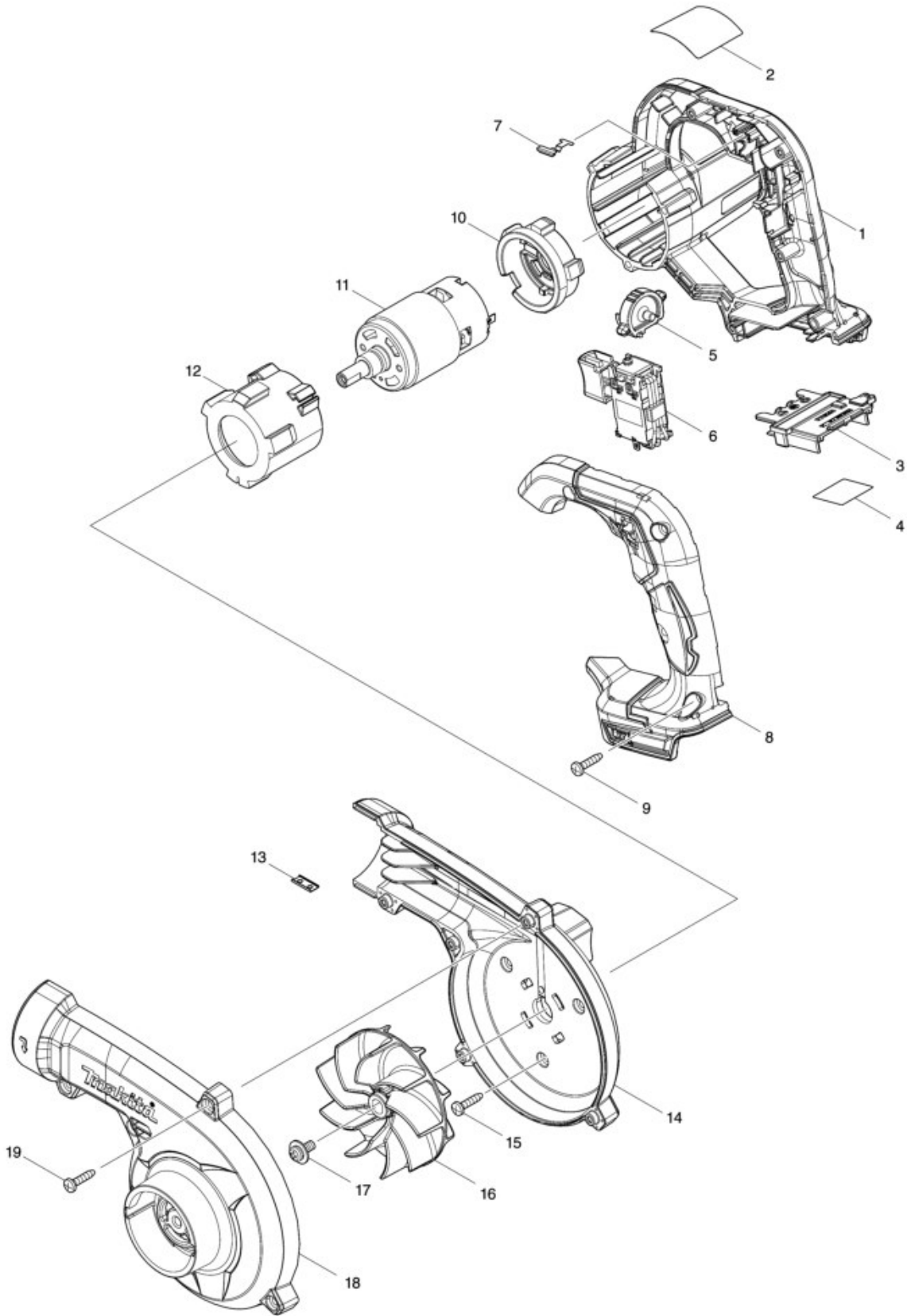


Model No.DUB185 CORDLESS BLOWER



Model No.DUB185 CORDLESS BLOWER

| Position | Artikel-Nr. | Beschreibung | I/C | Stk. | New/Old | Opt. 1 | Opt. 2 | Hinweis |
|----------|-------------|---------------------------------|-----|------|---------|--------|--------|---------|
| 001 | 183P63-8 | MOTOR HOUSING SET | | 1 | | | | |
| D10 | | INC. 8 | | | | | | |
| 002 | 856X26-2 | DUB185 NAME PLATE | | 1 | | | | |
| 003 | 643874-2 | TERMINAL | | 1 | | | | |
| 004 | 856X33-5 | DUB185 SERIAL NO. LABEL | | 1 | | | | |
| 005 | 412573-5 | DIAL | | 1 | | | | |
| 006 | 632P93-1 | SWITCH UNIT | | 1 | | | | |
| 007 | 232620-4 | LEAF SPRING | | 1 | | | | |
| 008 | 183P63-8 | MOTOR HOUSING SET | | 1 | | | | |
| D10 | | INC. 1 | | | | | | |
| 009 | 266326-2 | TAPPING SCREW 4X18 | | 5 | | | | |
| 010 | 422589-2 | MOTOR RUBBER RING B | | 1 | | | | |
| 011 | 629484-9 | DC MOTOR | | 1 | | | | |
| 012 | 422588-4 | MOTOR RUBBER RING A | | 1 | | | | |
| 013 | 345998-7 | SET PLATE | | 1 | | | | |
| 014 | 140U56-8 | FAN HOUSING COMPLETE | | 1 | | | | |
| C10 | 8012T7-9 | CAUTION LABEL | | 1 | | | | |
| 015 | 266326-2 | TAPPING SCREW 4X18 | | 3 | | | | |
| 016 | 240210-9 | FAN 85 | | 1 | | | | |
| 017 | 265B25-5 | PAN HEAD SCREW M5X12 WITH WG | | 1 | | | | |
| 018 | 412572-7 | FAN COVER | | 1 | | | | |
| 019 | 266326-2 | TAPPING SCREW 4X18 | | 5 | | | | |
| A02 | 123245-4 | NOZZLE ASS'Y | | 1 | | | | |
| C10 | 454703-2 | JOINT | | 1 | | | | |

Please order the parts with part number.

Print Date 11/3/2020