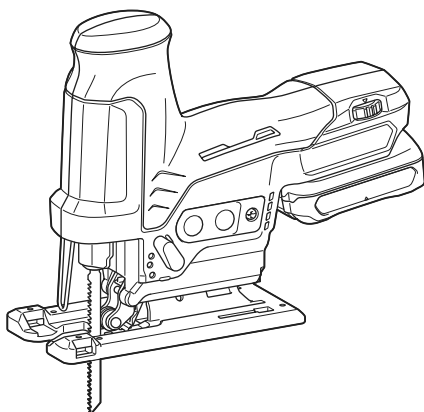




<b>EN</b>	<b>Cordless Jig Saw</b>	<b>INSTRUCTION MANUAL</b>	<b>7</b>
<b>FR</b>	<b>Scie sauteuse sans fil</b>	<b>MANUEL D'INSTRUCTIONS</b>	<b>14</b>
<b>DE</b>	<b>Akku-Stichsäge</b>	<b>BETRIEBSANLEITUNG</b>	<b>22</b>
<b>IT</b>	<b>Seghetto alternativo a batteria</b>	<b>ISTRUZIONI PER L'USO</b>	<b>30</b>
<b>NL</b>	<b>Accudecoupeerzaag</b>	<b>GEBRUIKSAANWIJZING</b>	<b>38</b>
<b>ES</b>	<b>Sierra Caladora Inalámbrica</b>	<b>MANUAL DE INSTRUCCIONES</b>	<b>46</b>
<b>PT</b>	<b>Serra Tico-Tico a Bateria</b>	<b>MANUAL DE INSTRUÇÕES</b>	<b>54</b>
<b>DA</b>	<b>Akku stiksav</b>	<b>BRUGSANVISNING</b>	<b>62</b>
<b>EL</b>	<b>Φορητό παλινδρομικό πριόνι</b>	<b>ΕΓΧΕΙΡΙΔΙΟ ΟΔΗΓΙΩΝ</b>	<b>69</b>
<b>TR</b>	<b>Akülü Dekupaj Testere</b>	<b>KULLANMA KILAVUZU</b>	<b>77</b>

# JV102D



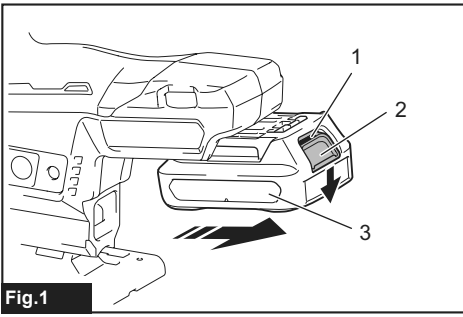


Fig.1

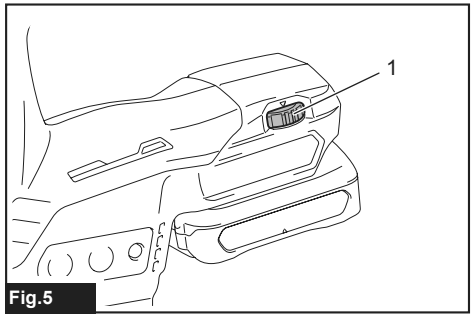


Fig.5

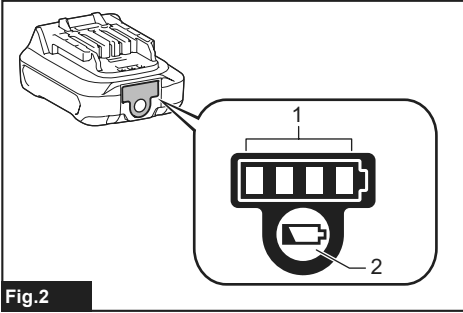


Fig.2

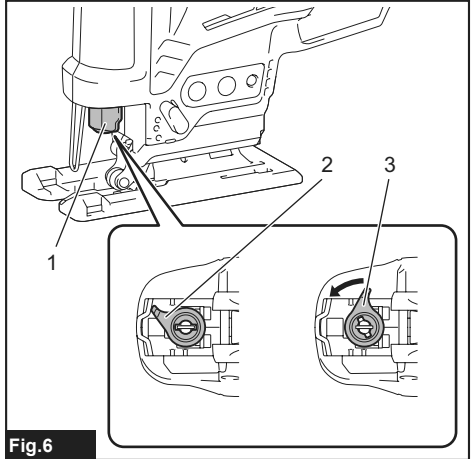


Fig.6

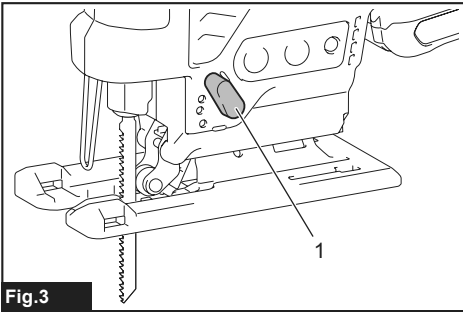


Fig.3

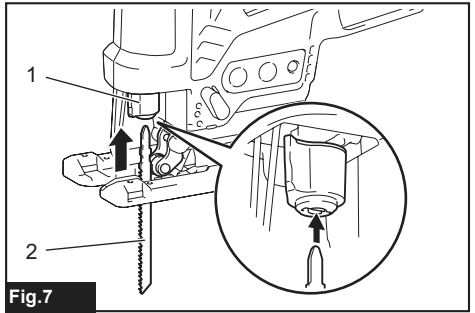


Fig.7

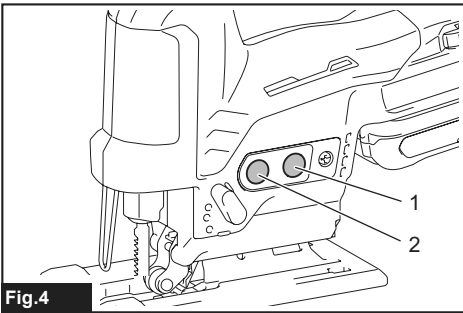


Fig.4

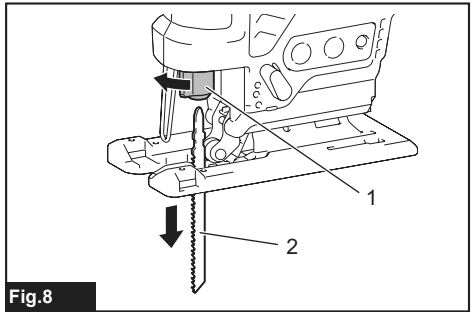


Fig.8

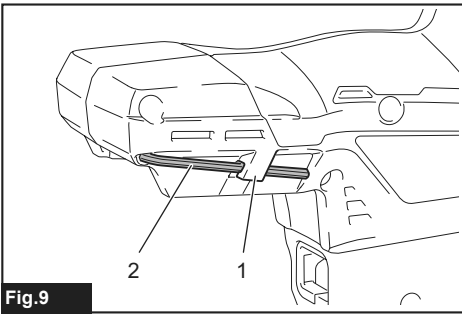


Fig.9

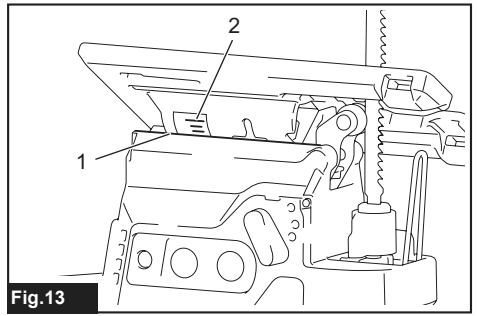


Fig.13

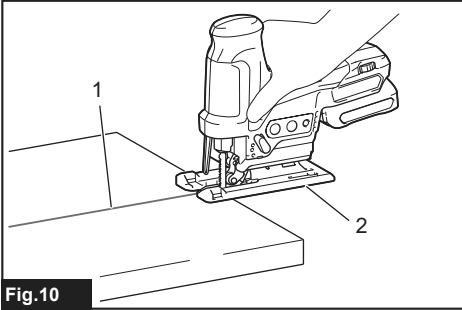


Fig.10

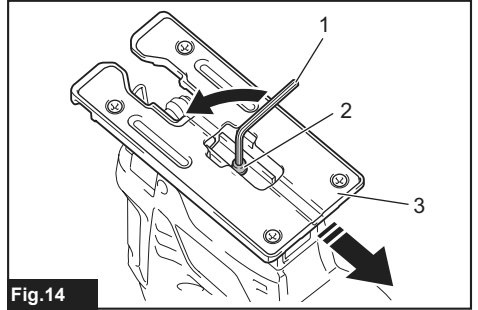


Fig.14

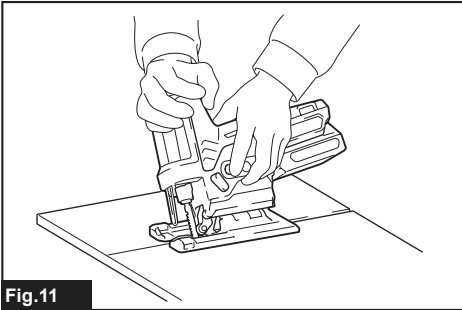


Fig.11

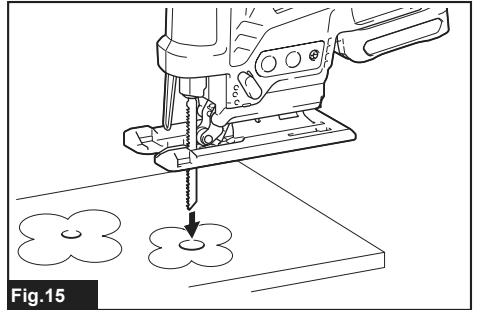


Fig.15

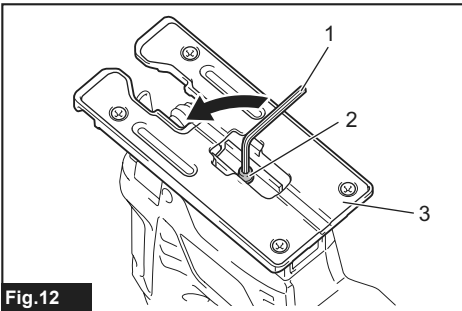


Fig.12

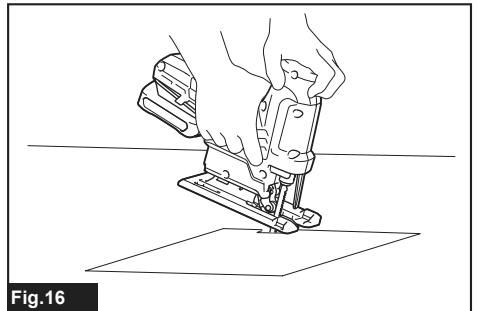


Fig.16

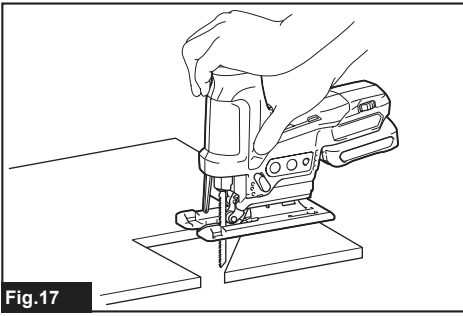


Fig. 17

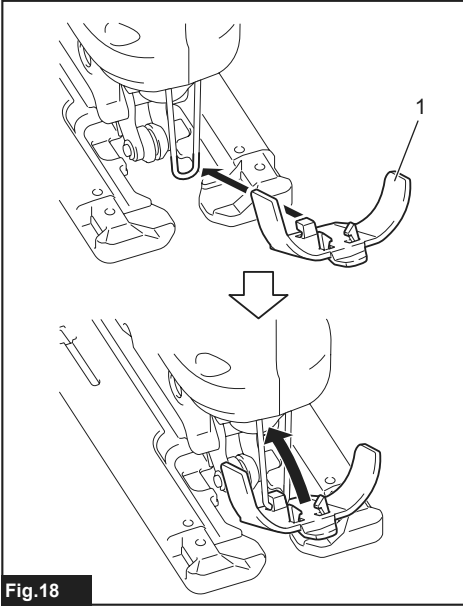


Fig. 18

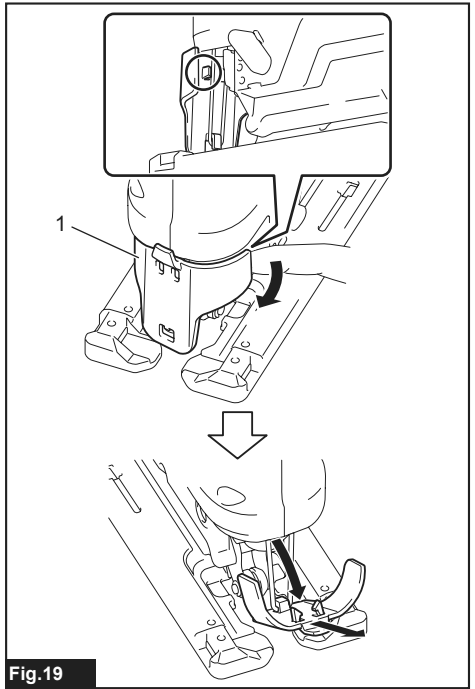


Fig. 19

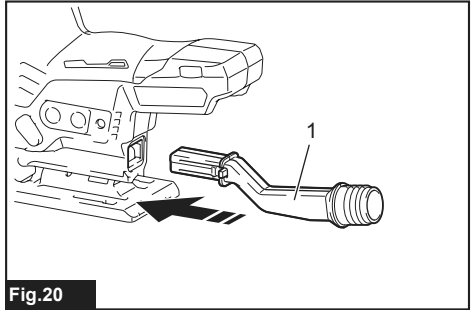


Fig. 20

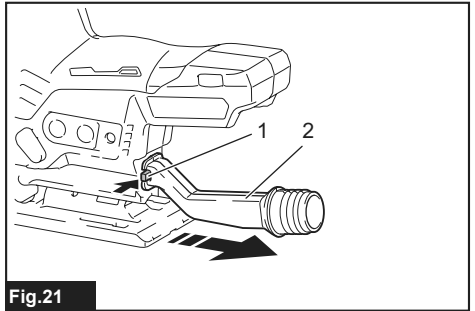
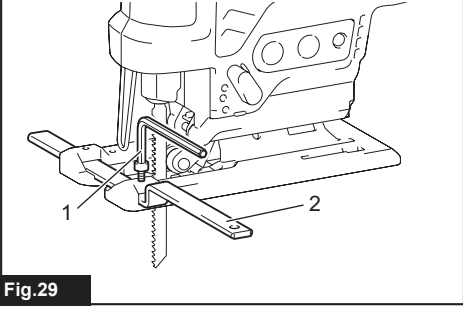
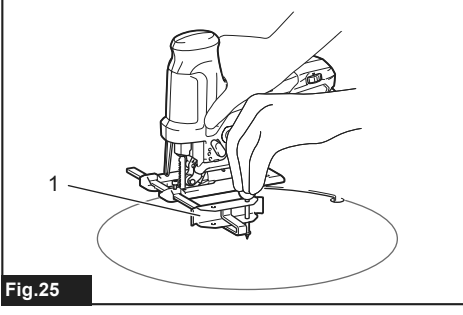
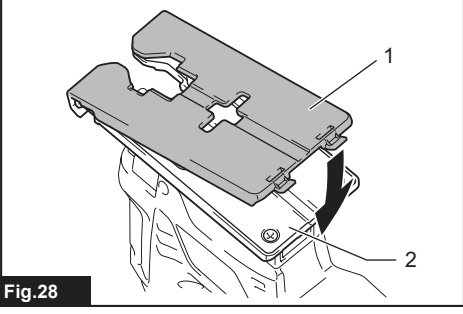
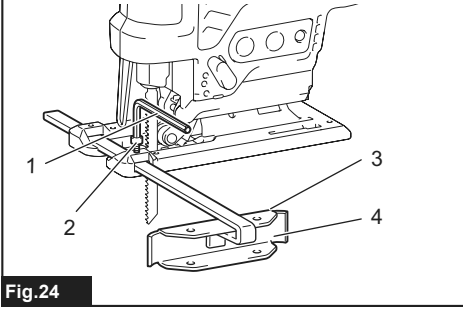
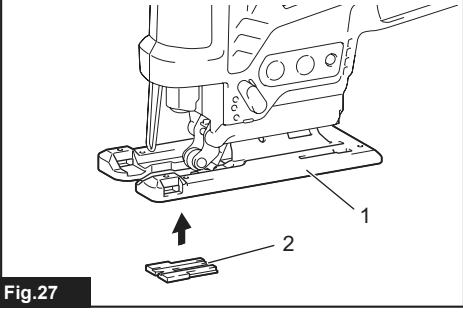
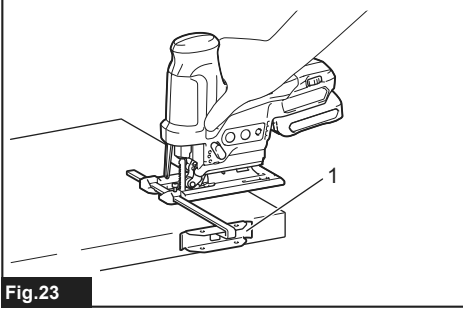
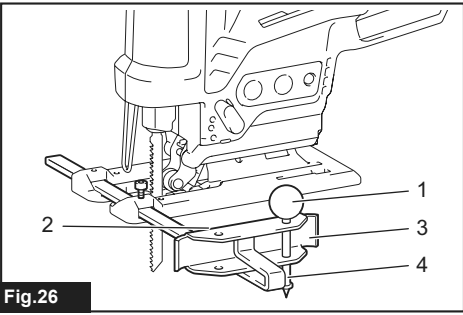
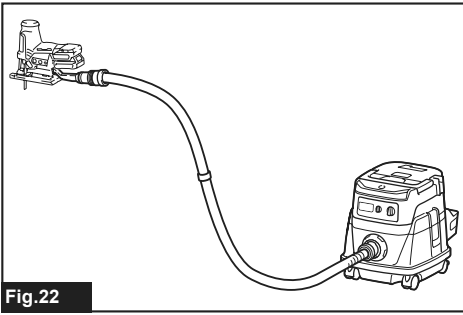
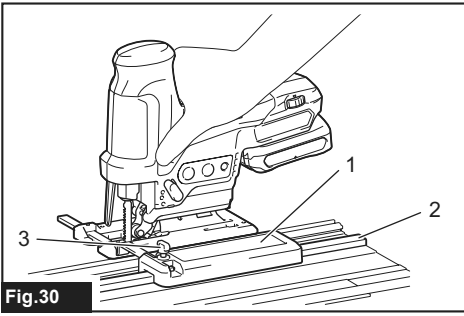


Fig. 21





**Fig.30**

## SPECIFICATIONS

<b>Model:</b>		<b>JV102D</b>
Length of stroke		23 mm
Strokes per minute		800 - 3,000 min <sup>-1</sup>
Blade type		B type
Max. cutting capacities	Wood	90 mm
	Mild steel	10 mm
	Aluminum	20 mm
Overall length		237 mm
Rated voltage		D.C. 10.8 V - 12 V max
Net weight		1.8 - 1.9 kg

- Due to our continuing program of research and development, the specifications herein are subject to change without notice.
- Specifications may differ from country to country.
- The weight may differ depending on the attachment(s), including the battery cartridge. The lightest and heaviest combination, according to EPTA-Procedure 01/2014, are shown in the table.

### Applicable battery cartridge and charger

Battery cartridge	BL1015 / BL1016 / BL1020B / BL1021B / BL1040B / BL1041B
Charger	DC10SA / DC10SB / DC10WC / DC10WD / DC18RE

- Some of the battery cartridges and chargers listed above may not be available depending on your region of residence.

**⚠WARNING:** Only use the battery cartridges and chargers listed above. Use of any other battery cartridges and chargers may cause injury and/or fire.

### Intended use

The tool is intended for the sawing of wood, plastic and metal materials. As a result of the extensive accessory and saw blade program, the tool can be used for many purposes and is very well suited for curved or circular cuts.

### Noise

The typical A-weighted noise level determined according to EN62841-2-11:

Sound pressure level ( $L_{pA}$ ) : 85 dB(A)

Sound power level ( $L_{WA}$ ) : 96 dB (A)

Uncertainty (K) : 3 dB(A)

**NOTE:** The declared noise emission value(s) has been measured in accordance with a standard test method and may be used for comparing one tool with another.

**NOTE:** The declared noise emission value(s) may also be used in a preliminary assessment of exposure.

**⚠WARNING:** Wear ear protection.

**⚠WARNING:** The noise emission during actual use of the power tool can differ from the declared value(s) depending on the ways in which the tool is used especially what kind of workpiece is processed.

**⚠WARNING:** Be sure to identify safety measures to protect the operator that are based on an estimation of exposure in the actual conditions of use (taking account of all parts of the operating cycle such as the times when the tool is switched off and when it is running idle in addition to the trigger time).

### Vibration

The vibration total value (tri-axial vector sum) determined according to EN62841-2-11:

Work mode: cutting boards

Vibration emission ( $a_{h,B}$ ) : 11.5 m/s<sup>2</sup>

Uncertainty (K) : 1.5 m/s<sup>2</sup>

Work mode: cutting sheet metal

Vibration emission ( $a_{h,M}$ ) : 9.5 m/s<sup>2</sup>

Uncertainty (K) : 1.5 m/s<sup>2</sup>

**NOTE:** The declared vibration total value(s) has been measured in accordance with a standard test method and may be used for comparing one tool with another.

**NOTE:** The declared vibration total value(s) may also be used in a preliminary assessment of exposure.

**⚠WARNING:** The vibration emission during actual use of the power tool can differ from the declared value(s) depending on the ways in which the tool is used especially what kind of workpiece is processed.

**⚠WARNING:** Be sure to identify safety measures to protect the operator that are based on an estimation of exposure in the actual conditions of use (taking account of all parts of the operating cycle such as the times when the tool is switched off and when it is running idle in addition to the trigger time).

## EC Declaration of Conformity

### For European countries only

The EC declaration of conformity is included as Annex A to this instruction manual.

## SAFETY WARNINGS

### General power tool safety warnings

**⚠WARNING:** Read all safety warnings, instructions, illustrations and specifications provided with this power tool. Failure to follow all instructions listed below may result in electric shock, fire and/or serious injury.

### Save all warnings and instructions for future reference.

The term "power tool" in the warnings refers to your mains-operated (corded) power tool or battery-operated (cordless) power tool.

### Cordless jig saw safety warnings

1. **Hold the power tool by insulated gripping surfaces, when performing an operation where the cutting accessory may contact hidden wiring.** Cutting accessory contacting a "live" wire may make exposed metal parts of the power tool "live" and could give the operator an electric shock.
2. **Use clamps or another practical way to secure and support the workpiece to a stable platform.** Holding the workpiece by hand or against your body leaves it unstable and may lead to loss of control.
3. **Always use safety glasses or goggles.** Ordinary eye or sun glasses are NOT safety glasses.
4. **Avoid cutting nails.** Inspect workpiece for any nails and remove them before operation.
5. **Do not cut oversize workpiece.**

6. **Check for the proper clearance beyond the workpiece before cutting so that the blade will not strike the floor, workbench, etc.**
7. **Hold the tool firmly.**
8. **Make sure the blade is not contacting the workpiece before the switch is turned on.**
9. **Keep hands away from moving parts.**
10. **Do not leave the tool running.** Operate the tool only when hand-held.
11. **Always switch off and wait for the blade to come to a complete stop before removing the blade from the workpiece.**
12. **Do not touch the blade or the workpiece immediately after operation; they may be extremely hot and could burn your skin.**
13. **Do not operate the tool at no-load unnecessarily.**
14. **Some material contains chemicals which may be toxic.** Take caution to prevent dust inhalation and skin contact. Follow material supplier safety data.
15. **Always use the correct dust mask/respirator for the material and application you are working with.**

## SAVE THESE INSTRUCTIONS.

**⚠WARNING:** DO NOT let comfort or familiarity with product (gained from repeated use) replace strict adherence to safety rules for the subject product. MISUSE or failure to follow the safety rules stated in this instruction manual may cause serious personal injury.

### Important safety instructions for battery cartridge

1. **Before using battery cartridge, read all instructions and cautionary markings on (1) battery charger, (2) battery, and (3) product using battery.**
2. **Do not disassemble battery cartridge.**
3. **If operating time has become excessively shorter, stop operating immediately.** It may result in a risk of overheating, possible burns and even an explosion.
4. **If electrolyte gets into your eyes, rinse them out with clear water and seek medical attention right away.** It may result in loss of your eyesight.
5. **Do not short the battery cartridge:**
  - (1) **Do not touch the terminals with any conductive material.**
  - (2) **Avoid storing battery cartridge in a container with other metal objects such as nails, coins, etc.**
  - (3) **Do not expose battery cartridge to water or rain.**

**A battery short can cause a large current flow, overheating, possible burns and even a breakdown.**
6. **Do not store the tool and battery cartridge in locations where the temperature may reach or exceed 50 °C (122 °F).**



7. Do not incinerate the battery cartridge even if it is severely damaged or is completely worn out. The battery cartridge can explode in a fire.
8. Be careful not to drop or strike battery.
9. Do not use a damaged battery.
10. The contained lithium-ion batteries are subject to the Dangerous Goods Legislation requirements.

For commercial transports e.g. by third parties, forwarding agents, special requirement on packaging and labeling must be observed.

For preparation of the item being shipped, consulting an expert for hazardous material is required. Please also observe possibly more detailed national regulations.

Tape or mask off open contacts and pack up the battery in such a manner that it cannot move around in the packaging.

11. Follow your local regulations relating to disposal of battery.
12. Use the batteries only with the products specified by Makita. Installing the batteries to non-compliant products may result in a fire, excessive heat, explosion, or leak of electrolyte.

## SAVE THESE INSTRUCTIONS.

**CAUTION:** Only use genuine Makita batteries. Use of non-genuine Makita batteries, or batteries that have been altered, may result in the battery bursting causing fires, personal injury and damage. It will also void the Makita warranty for the Makita tool and charger.

## Tips for maintaining maximum battery life

1. Charge the battery cartridge before completely discharged. Always stop tool operation and charge the battery cartridge when you notice less tool power.
2. Never recharge a fully charged battery cartridge. Overcharging shortens the battery service life.
3. Charge the battery cartridge with room temperature at 10 °C - 40 °C (50 °F - 104 °F). Let a hot battery cartridge cool down before charging it.

## FUNCTIONAL DESCRIPTION

**CAUTION:** Always be sure that the tool is switched off and the battery cartridge is removed before adjusting or checking function on the tool.

### Installing or removing battery cartridge

**CAUTION:** Always switch off the tool before installing or removing of the battery cartridge.

**CAUTION:** Hold the tool and the battery cartridge firmly when installing or removing battery cartridge. Failure to hold the tool and the battery cartridge firmly may cause them to slip off your hands and result in damage to the tool and battery cartridge and a personal injury.

► Fig.1: 1. Red indicator 2. Button 3. Battery cartridge

To remove the battery cartridge, slide it from the tool while sliding the button on the front of the cartridge.

To install the battery cartridge, align the tongue on the battery cartridge with the groove in the housing and slip it into place. Insert it all the way until it locks in place with a little click. If you can see the red indicator on the upper side of the button, it is not locked completely.

**CAUTION:** Always install the battery cartridge fully until the red indicator cannot be seen. If not, it may accidentally fall out of the tool, causing injury to you or someone around you.

**CAUTION:** Do not install the battery cartridge forcibly. If the cartridge does not slide in easily, it is not being inserted correctly.

### Tool / battery protection system

The tool is equipped with a tool/battery protection system. This system automatically cuts off power to the motor to extend tool and battery life. The tool will automatically stop during operation if the tool or battery is placed under one of the following conditions:

#### Overload protection

When the battery is operated in a manner that causes it to draw an abnormally high current, the tool automatically stops without any indication. In this situation, turn the tool off and stop the application that caused the tool to become overloaded. Then turn the tool on to restart.

#### Overheat protection

When the tool or battery is overheated, the tool stops automatically and the lamp blinks. In this case, let the tool and battery cool before turning the tool on again.

#### Overdischarge protection

When the battery capacity is not enough, the tool stops automatically. If you turn the tool on, the motor runs again but stops soon. In this case, remove the battery from the tool and charge the battery.

## Indicating the remaining battery capacity

Only for battery cartridges with the indicator

► **Fig.2:** 1. Indicator lamps 2. Check button

Press the check button on the battery cartridge to indicate the remaining battery capacity. The indicator lamps light up for a few seconds.

Indicator lamps		Remaining capacity
Lighted	Off	
■ ■ ■ ■	□	75% to 100%
■ ■ ■ □	□	50% to 75%
■ ■ □ □	□ □	25% to 50%
■ □ □ □	□ □ □ □	0% to 25%

**NOTE:** Depending on the conditions of use and the ambient temperature, the indication may differ slightly from the actual capacity.

## Selecting the cutting action

► **Fig.3:** 1. Cutting action changing lever

This tool can be operated with an orbital or a straight line (up and down) cutting action. The orbital cutting action thrusts the jig saw blade forward on the cutting stroke and greatly increases cutting speed.

To change the cutting action, just turn the cutting action changing lever to the desired cutting action position. Refer to the table to select the appropriate cutting action.

Position	Cutting action	Applications
0	Straight line cutting action	For cutting mild steel, stainless steel and plastics. For clean cuts in wood and plywood.
I	Small orbit cutting action	For cutting mild steel, aluminum and hard wood.
II	Medium orbit cutting action	For cutting wood and plywood. For fast cutting in aluminum and mild steel.
III	Large orbit cutting action	For fast cutting in wood and plywood.

## Switch action

To turn on the tool, press the lock/unlock button. The tool turns into the standby mode. To start the tool, press the start/stop button in the standby mode. To stop the tool, press the start/stop button again. The tool turns into the standby mode. To turn off the tool, press the lock/unlock button in the standby mode.

► **Fig.4:** 1. Lock/unlock button 2. Start/stop button

**NOTE:** If the tool is left for 10 seconds without any operation in the standby mode, the tool automatically turns off and the lamp goes off.

**NOTE:** You can also stop and turn off the tool by pressing the lock/unlock button while the tool is operating.

## Lighting up the front lamp

**CAUTION:** Do not look in the light or see the source of light directly.

To turn on the lamp, press the lock/unlock button. To turn off the lamp, press the lock/unlock button again.

**NOTICE:** When the tool is overheated, the lamp flickers. Cool down the tool fully before operating the tool again.

**NOTE:** Use a dry cloth to wipe the dirt off the lens of the lamp. Be careful not to scratch the lens of lamp, or it may lower the illumination.

## Speed adjusting dial

► **Fig.5:** 1. Speed adjusting dial

The tool speed can be adjusted by turning the speed adjusting dial. You can get the highest speed at 5 and the lowest speed at 1.

Refer to the table to select the proper speed for the workpiece to be cut. However, the appropriate speed may differ with the type or thickness of the workpiece. In general, higher speeds will allow you to cut workpieces faster but the service life of the blade will be reduced.

Workpiece	Number
Wood	4 - 5
Mild steel	3 - 5
Stainless steel	3 - 4
Aluminum	3 - 5
Plastics	1 - 4

**NOTICE:** When changing the speed dial from "5" to "1", turn the dial counterclockwise. Do not turn the dial clockwise forcibly.

## Electronic function

The tool is equipped with the electronic functions for easy operation.

- Soft start  
The soft-start function minimizes start-up shock, and makes the tool start smoothly.
- Soft no-load rotation  
To reduce the vibration and align the jig saw blade with the cutting line easily, the tool automatically reduces the rotation speed until the tool starts cutting the workpiece when the speed adjusting dial is set at 2 or higher. Once the tool starts cutting the workpiece, the tool speed reaches the preset speed and keeps the speed until the tool stops.

**NOTE:** When the temperature is low, this function may not be available.

## Disabling the soft no-load rotation function

To disable the soft no-load rotation function, follow the steps below.

1. Make sure that the tool is turned off.
2. Set the speed adjusting dial to "1".
3. Press the lock/unlock button to turn on the tool.
4. Set the speed adjusting dial to "5" by turning it, and then set it to "1" by turn it back.

The lamp blinks twice to indicate that the soft no-load rotation function is disabled. To enable this function again, perform the same procedure again.

**NOTE:** If the soft no-load rotation function is disabled, the lamp blinks twice when the tool is turned on.

**NOTE:** You can also disable or enable the soft no-load rotation function by changing the speed adjusting dial from "5" to "1" and changing it from "1" to "5".

## ASSEMBLY

**CAUTION:** Always be sure that the tool is switched off and the battery cartridge is removed before carrying out any work on the tool.

### Installing or removing jig saw blade

**CAUTION:** Always clean out all chips or foreign matter adhering to the jig saw blade and/or blade holder. Failure to do so may cause insufficient tightening of the blade, resulting in a serious personal injury.

**CAUTION:** Do not touch the jig saw blade or the workpiece immediately after operation. They may be extremely hot and could burn your skin.

**CAUTION:** Always secure the jig saw blade firmly. Insufficient tightening of the blade may cause blade breakage or serious personal injury.

**CAUTION:** Use only B type jig saw blades. Using blades other than B type causes insufficient tightening of the blade, resulting in a serious personal injury.

**CAUTION:** When you remove the jig saw blade, be careful not to hurt your fingers with the top of the blade or the tips of workpiece.

Before installing the jig saw blade, make sure that the blade clamp lever is in the released position. To install the jig saw blade, insert the blade (teeth facing forward) into the blade holder. The lever moves to the fixed position and the blade is locked. Make sure that the back edge of the blade fits into the roller. Pull the blade lightly to make sure that the blade does not fall off during operation.

► **Fig.6:** 1. Jig saw blade holder 2. Released position  
3. Fixed position

► **Fig.7:** 1. Jig saw blade holder 2. Jig saw blade

**CAUTION:** If the lever does not move to the fixed position, the blade is not installed completely. Do not press the lever by hand to the fixed position. It may damage the tool.

To remove the jig saw blade, push the lever forward as far as it will go. This allows the blade to be released.

► **Fig.8:** 1. Jig saw blade holder 2. Jig saw blade

**NOTE:** Occasionally lubricate the roller.

## Hex wrench storage

► **Fig.9:** 1. Hook 2. Hex wrench

When not in use, store the hex wrench as shown in the figure to keep it from being lost.

First, insert the hex wrench into the hole. Then push it into the hook until it locked.

## OPERATION

**CAUTION:** Always hold the base flush with the workpiece. Failure to do so may cause jig saw blade breakage, resulting in a serious injury.

**CAUTION:** Advance the tool very slowly when cutting curves or scrolling. Forcing the tool may cause a slanted cutting surface and jig saw blade breakage.

► **Fig.10:** 1. Cutting line 2. Base

Turn the tool on without the jig saw blade making any contact and wait until the blade attains full speed. Then rest the base flat on the workpiece and gently move the tool forward along the previously marked cutting line.

### Bevel cutting

**CAUTION:** Always be sure that the tool is switched off and the battery cartridge is removed before tilting the base.

With the base tilted, you can make bevel cuts at any angle between 0° and 45° (left or right).

► **Fig.11**

Loosen the bolt on the back of the base with the hex wrench. Move the base so that the bolt is positioned in the center of the cross-shaped slot in the base.

► **Fig.12:** 1. Hex wrench 2. Bolt 3. Base

Tilt the base until the desired bevel angle is obtained. The edge of the motor housing indicates the bevel angle by graduations. Then tighten the bolt to secure the base.

► **Fig.13:** 1. Edge 2. Graduation

### Front flush cuts

► **Fig.14:** 1. Hex wrench 2. Bolt 3. Base

Loosen the bolt on the back of the base with the hex wrench and slide the base all the way back. Then tighten the bolt to secure the base.

## Cutouts

Cutouts can be made with either of two methods "Boring a starting hole" or "Plunge cutting".

### Boring a starting hole

► Fig.15

For internal cutouts without a lead-in cut from an edge, pre-drill a starting hole 12 mm or more in diameter. Insert the jig saw blade into this hole to start your cut.

### Plunge cutting

► Fig.16

You need not bore a starting hole or make a lead-in cut if you carefully do as follows.

1. Tilt the tool up on the front edge of the base with the jig saw blade point positioned just above the workpiece surface.
2. Apply pressure to the tool so that the front edge of the base will not move when you switch on the tool and gently lower the back end of the tool slowly.
3. As the jig saw blade pierces the workpiece, slowly lower the base of the tool down onto the workpiece surface.
4. Complete the cut in the normal manner.

## Finishing edges

► Fig.17

To trim edges or make dimensional adjustments, run the jig saw blade lightly along the cut edges.

## Metal cutting

Always use a suitable coolant (cutting oil) when cutting metal. Failure to do so will cause significant jig saw blade wear. The underside of the workpiece can be greased instead of using a coolant.

## Dust extraction

### Optional accessory

Clean cutting operations can be performed by connecting this tool to a Makita vacuum cleaner.

### Installing or removing the dust cover

Install the dust cover as shown in the figure.

► Fig.18: 1. Dust cover

To remove the dust cover, press one side of the cover, and then remove it as shown in the figure.

► Fig.19: 1. Dust cover

### Installing or removing the dust nozzle

Insert the dust nozzle all the way into the tool.

► Fig.20: 1. Dust nozzle

To remove the dust nozzle, pull out the dust nozzle while pressing the button on the dust nozzle.

► Fig.21: 1. Button 2. Dust nozzle

### Connecting the tool to the vacuum cleaner

Connect the hose of the vacuum cleaner to the dust nozzle.

► Fig.22

## Rip fence

### Optional accessory

**CAUTION:** Always be sure that the tool is switched off and the battery cartridge is removed before installing or removing accessories.

### Straight cuts

When repeatedly cutting widths of 160 mm or less, use of the rip fence will assure fast, clean, straight cuts.

► Fig.23: 1. Rip fence (Guide rule)

To install, insert the rip fence into the rectangular hole on the side of the base with the fence guide facing down. Slide the rip fence to the desired cutting width position, then tighten the bolt to secure it.

► Fig.24: 1. Hex wrench 2. Bolt 3. Fence guide 4. Rip fence (Guide rule)

### Circular cuts

When cutting circles or arcs of 170 mm or less in radius, install the rip fence as follows.

► Fig.25: 1. Rip fence (Guide rule)

1. Insert the rip fence into the rectangular hole on the side of the base with the fence guide facing up.

2. Insert the circular guide pin through either of the two holes on the fence guide. Screw the threaded knob onto the pin to secure the pin.

► Fig.26: 1. Threaded knob 2. Fence guide 3. Rip fence (Guide rule) 4. Pin

3. Slide the rip fence to the desired cutting radius, and tighten the bolt to secure it in place. Then move the base all the way forward.

**NOTE:** Always use jig saw blades No. B-17, B-18, B-26 or B-27 when cutting circles or arcs.

## Anti-splintering device

### Optional accessory

**CAUTION:** The anti-splintering device cannot be used when making bevel cuts.

► Fig.27: 1. Base 2. Anti-splintering device

For splinter-free cuts, the anti-splintering device can be used. To install the anti-splintering device, move the tool base all the way forward and fit it from the back of tool base.

When you use the cover plate, install the anti-splintering device onto the cover plate.

## Cover plate

### Optional accessory

► Fig.28: 1. Cover plate 2. Base

Use the cover plate when cutting decorative veneers, plastics, etc. It protects sensitive or delicate surfaces from damage. Fit it on the back of the tool base.

## Guide rail adapter set

### Optional accessory

When cutting parallel and uniform width or cutting straight, the use of the guide rail and the guide rail adapter will assure the production of fast and clean cuts. To install the guide rail adapter, insert the rule bar into the square hole of the base as far as it goes. Secure the bolt with the hex wrench securely.

► **Fig.29:** 1. Hex wrench 2. Rule bar

Insert the rule bar into the square hole of the guide rail adapter, and secure the screw firmly. Place the guide rail adapter on the guide rail.

► **Fig.30:** 1. Guide rail adapter 2. Guide rail 3. Screw

**NOTICE:** Always use blades No. B-8, B-13, B-16, B-17 or 58 when using the guide rail and the guide rail adapter.

## MAINTENANCE

**CAUTION:** Always be sure that the tool is switched off and the battery cartridge is removed before attempting to perform inspection or maintenance.

**NOTICE:** Never use gasoline, benzine, thinner, alcohol or the like. Discoloration, deformation or cracks may result.

To maintain product SAFETY and RELIABILITY, repairs, any other maintenance or adjustment should be performed by Makita Authorized or Factory Service Centers, always using Makita replacement parts.

## OPTIONAL ACCESSORIES

**CAUTION:** These accessories or attachments are recommended for use with your Makita tool specified in this manual. The use of any other accessories or attachments might present a risk of injury to persons. Only use accessory or attachment for its stated purpose.

If you need any assistance for more details regarding these accessories, ask your local Makita Service Center.

- Jig saw blades
- Hex wrench 3
- Rip fence (guide rule) set
- Guide rail adapter set
- Anti-splintering device
- Hose (For vacuum cleaner)
- Cover plate
- Dust nozzle
- Dust cover
- Makita genuine battery and charger

**NOTE:** Some items in the list may be included in the tool package as standard accessories. They may differ from country to country.

## SPÉCIFICATIONS

Modèle :		JV102D
Longueur de la course		23 mm
Nombre de courses par minute		800 à 3 000 min <sup>-1</sup>
Type de lame		Type B
Capacités de coupe maximales	Bois	90 mm
	Acier doux	10 mm
	Aluminium	20 mm
Longueur totale		237 mm
Tension nominale		10,8 V - 12 V c.c. max.
Poids net		1,8 à 1,9 kg

- Étant donné l'évolution constante de notre programme de recherche et de développement, les spécifications contenues dans ce manuel sont sujettes à modification sans préavis.
- Les spécifications peuvent varier suivant les pays.
- Le poids peut être différent selon les accessoires, notamment la batterie. Les associations la plus légère et la plus lourde, conformément à la procédure EPTA 01/2014, sont indiquées dans le tableau.

## Batterie et chargeur applicables

Batterie	BL1015 / BL1016 / BL1020B / BL1021B / BL1040B / BL1041B
Chargeur	DC10SA / DC10SB / DC10WC / DC10WD / DC18RE

- Certains chargeurs et batteries répertoriés ci-dessus peuvent ne pas être disponibles selon la région où vous résidez.

**⚠ AVERTISSEMENT : N'utilisez que les batteries et les chargeurs répertoriés ci-dessus.** L'utilisation d'autres batteries et chargeurs peut provoquer des blessures et/ou un incendie.

## Utilisations

L'outil est conçu pour scier le bois, le plastique et les métaux. Grâce à une vaste gamme d'accessoires et de lames de scie, l'outil peut être utilisé à des fins multiples et convient parfaitement pour les coupes courbes ou circulaires.

## Bruit

Niveau de bruit pondéré A typique, déterminé selon EN62841-2-11 :

Niveau de pression sonore ( $L_{pA}$ ) : 85 dB (A)

Niveau de puissance sonore ( $L_{WA}$ ) : 96 dB (A)

Incertitude (K) : 3 dB (A)

**NOTE :** La ou les valeurs d'émission de bruit déclarées ont été mesurées conformément à la méthode de test standard et peuvent être utilisées pour comparer les outils entre eux.

**NOTE :** La ou les valeurs d'émission de bruit déclarées peuvent aussi être utilisées pour l'évaluation préliminaire de l'exposition.

**⚠ AVERTISSEMENT :** Portez un serre-tête antibruit.

**⚠ AVERTISSEMENT :** L'émission de bruit lors de l'usage réel de l'outil électrique peut être différente de la ou des valeurs déclarées, suivant la façon dont l'outil est utilisé, particulièrement selon le type de pièce usinée.

**⚠ AVERTISSEMENT :** Les mesures de sécurité à prendre pour protéger l'utilisateur doivent être basées sur une estimation de l'exposition dans des conditions réelles d'utilisation (en tenant compte de toutes les composantes du cycle d'utilisation, comme par exemple le moment de sa mise hors tension, lorsqu'il tourne à vide et le moment de son déclenchement).

## Vibrations

Valeur totale de vibrations (somme de vecteur triaxial) déterminée selon EN62841-2-11 :

Mode de travail : coupe de planches

Émission de vibrations ( $a_{h,B}$ ) : 11,5 m/s<sup>2</sup>

Incertitude (K) : 1,5 m/s<sup>2</sup>

Mode de travail : Découpe de tôle

Émission de vibrations ( $a_{h,M}$ ) : 9,5 m/s<sup>2</sup>

Incertitude (K) : 1,5 m/s<sup>2</sup>

**NOTE** : La ou les valeurs de vibration totales déclarées ont été mesurées conformément à la méthode de test standard et peuvent être utilisées pour comparer les outils entre eux.

**NOTE** : La ou les valeurs de vibration totales déclarées peuvent aussi être utilisées pour l'évaluation préliminaire de l'exposition.

**⚠ AVERTISSEMENT** : L'émission de vibrations lors de l'usage réel de l'outil électrique peut être différente de la ou des valeurs déclarées, suivant la façon dont l'outil est utilisé, particulièrement selon le type de pièce usinée.

**⚠ AVERTISSEMENT** : Les mesures de sécurité à prendre pour protéger l'utilisateur doivent être basées sur une estimation de l'exposition dans des conditions réelles d'utilisation (en tenant compte de toutes les composantes du cycle d'utilisation, comme par exemple le moment de sa mise hors tension, lorsqu'il tourne à vide et le moment de son déclenchement).

## Déclaration de conformité CE

### *Pour les pays européens uniquement*

La déclaration de conformité CE est fournie en Annexe A à ce mode d'emploi.

## CONSIGNES DE SÉCURITÉ

### Consignes de sécurité générales pour outils électriques

**⚠ AVERTISSEMENT** : Veuillez lire les consignes de sécurité, instructions, illustrations et spécifications qui accompagnent cet outil électrique. Le non-respect de toutes les instructions indiquées ci-dessous peut entraîner une électrocution, un incendie et/ou de graves blessures.

### Conservez toutes les mises en garde et instructions pour référence ultérieure.

Le terme « outil électrique » dans les avertissements fait référence à l'outil électrique alimenté par le secteur (avec cordon d'alimentation) ou à l'outil électrique fonctionnant sur batterie (sans cordon d'alimentation).

### Consignes de sécurité pour scie sauteuse sans fil

1. Tenez l'outil électrique par des surfaces de prise isolées lorsque vous effectuez une tâche au cours de laquelle l'accessoire de coupe peut entrer en contact avec des fils cachés. Le contact de l'accessoire de découpe avec un fil sous tension peut transmettre du courant dans les pièces métalliques exposées de l'outil électrique et électrocuter l'utilisateur.

2. Utilisez des dispositifs de serrage ou un autre moyen pratique pour fixer la pièce sur une surface de travail stable. La pièce sera instable et vous risquez d'en perdre la maîtrise si vous la tenez dans vos mains ou l'appuyez contre votre corps.
3. Portez toujours des lunettes de sécurité ou des lunettes à coques. Les lunettes ordinaires et les lunettes de soleil NE sont PAS des lunettes de sécurité.
4. Prenez garde aux clous pendant la coupe. Avant de commencer le travail, inspectez la pièce et retirez tous les clous.
5. Ne coupez pas des pièces trop grandes.
6. Avant d'effectuer la coupe, assurez-vous que le dégagement sous la pièce est suffisant pour que la lame ne heurte pas une surface dure (sol, établi, etc.).
7. Tenez l'outil fermement.
8. Assurez-vous que la lame n'est pas en contact avec la pièce avant de mettre l'outil en marche.
9. Gardez vos mains à l'écart des pièces en mouvement.
10. N'abandonnez pas l'outil alors qu'il tourne. Ne faites fonctionner l'outil qu'une fois que vous l'avez bien en main.
11. Avant de retirer la lame de la pièce, mettez toujours l'outil hors tension et attendez que la lame soit complètement immobilisée.
12. Ne touchez ni la lame ni la pièce immédiatement après la coupe ; elles peuvent être très chaudes et vous risquez de vous brûler.
13. Ne faites pas tourner l'outil à vide inutilement.
14. Certains matériaux contiennent des produits chimiques susceptibles d'être toxiques. Prenez garde de ne pas avaler la poussière et évitez tout contact avec la peau. Suivez les données de sécurité du fournisseur du matériau.
15. Portez toujours un masque antipoussières/un masque filtrant adapté au matériau travaillé et à l'application utilisée.

## CONSERVEZ CES INSTRUCTIONS.

**⚠ AVERTISSEMENT** : NE vous laissez PAS tromper (au fil d'une utilisation répétée) par un sentiment d'aisance et de familiarité avec le produit, en négligeant le respect rigoureux des consignes de sécurité qui accompagnent le produit en question. La MAUVAISE UTILISATION de l'outil ou l'ignorance des consignes de sécurité indiquées dans ce mode d'emploi peut entraîner de graves blessures.

### Consignes de sécurité importantes pour la batterie

1. Avant d'utiliser la batterie, lisez toutes les instructions et précautions relatives (1) au chargeur de batterie, (2) à la batterie, et (3) au produit utilisant la batterie.
2. Ne démontez pas la batterie.

3. Cessez immédiatement l'utilisation si le temps de fonctionnement devient excessivement court. Il y a un risque de surchauffe, de brûlures, voire d'explosion.
4. Si l'électrolyte pénètre dans vos yeux, rincez-les à l'eau claire et consultez immédiatement un médecin. Il y a un risque de perte de la vue.
5. **Ne court-circuitez pas la batterie :**
  - (1) Ne touchez les bornes avec aucun matériau conducteur.
  - (2) Évitez de ranger la batterie dans un conteneur avec d'autres objets métalliques, par exemple des clous, des pièces de monnaie, etc.
  - (3) N'exposez pas la batterie à l'eau ou à la pluie.

Un court-circuit de la batterie peut provoquer une intensité de courant élevée, une surchauffe, parfois des brûlures et même une panne.

6. Ne rangez pas l'outil et la batterie dans un endroit où la température risque d'atteindre ou de dépasser 50 °C.
7. Ne jetez pas la batterie au feu même si elle est sérieusement endommagée ou complètement épuisée. La batterie peut exploser au contact du feu.
8. Évitez de laisser tomber ou de cogner la batterie.
9. N'utilisez pas la batterie si elle est endommagée.
10. **Les batteries au lithium-ion contenues sont soumises aux exigences de la législation sur les marchandises dangereuses.** Lors du transport commercial par des tierces parties ou des transitaires par exemple, des exigences spécifiques en matière d'étiquetage et d'emballage doivent être respectées. Pour la préparation de l'article expédié, il est nécessaire de consulter un expert en matériau dangereux. Veuillez également respecter les réglementations nationales susceptibles d'être plus détaillées. Recouvrez les contacts exposés avec du ruban adhésif ou du ruban de masquage et emballez la batterie de telle sorte qu'elle ne puisse pas bouger dans l'emballage.
11. **Suivez les réglementations locales en matière de mise au rebut des batteries.**
12. **Utilisez les batteries uniquement avec les produits spécifiés par Makita.** L'insertion de batteries dans des produits non conformes peut provoquer un incendie, une chaleur excessive, une explosion ou une fuite de l'électrolyte.

## CONSERVEZ CES INSTRUCTIONS.

**ATTENTION :** N'utilisez que des batteries Makita d'origine. L'utilisation de batteries de marque autre que Makita ou de batteries modifiées peut provoquer l'explosion des batteries, ce qui présente un risque d'incendie, de dommages matériels et corporels. Cela annulera également la garantie Makita pour l'outil et le chargeur Makita.

## Conseils pour assurer la durée de vie optimale de la batterie

1. Chargez la batterie avant qu'elle ne soit complètement déchargée. Arrêtez toujours l'outil et rechargez la batterie quand vous remarquez que la puissance de l'outil diminue.
2. Ne rechargez jamais une batterie complètement chargée. La surcharge réduit la durée de service de la batterie.
3. Chargez la batterie à une température ambiante comprise entre 10 °C et 40 °C. Avant de charger une batterie chaude, laissez-la refroidir.

## DESCRIPTION DU FONCTIONNEMENT

**ATTENTION :** Assurez-vous toujours que l'outil est hors tension et que sa batterie est retirée avant de l'ajuster ou de vérifier son fonctionnement.

## Insertion ou retrait de la batterie

**ATTENTION :** Éteignez toujours l'outil avant de mettre en place ou de retirer la batterie.

**ATTENTION :** Tenez fermement l'outil et la batterie lors de la mise en place ou du retrait de la batterie. Si vous ne tenez pas fermement l'outil et la batterie, ils peuvent vous glisser des mains, et s'abîmer ou vous blesser.

► Fig.1: 1. Voyant rouge 2. Bouton 3. Batterie

Pour retirer la batterie, faites-la glisser hors de l'outil tout en faisant glisser le bouton à l'avant de la batterie.

Pour mettre en place la batterie, alignez la languette sur la batterie avec la rainure sur le compartiment et insérez-la. Insérez-la à fond jusqu'à ce qu'un léger déclic se fasse entendre. Si le voyant rouge sur le dessus du bouton est visible, cela signifie qu'elle n'est pas bien verrouillée.

**ATTENTION :** Insérez toujours complètement la batterie jusqu'à ce que le voyant rouge ne soit plus visible. Sinon, elle pourrait tomber accidentellement de l'outil, au risque de vous blesser ou de blesser quelqu'un se trouvant près de vous.

**ATTENTION :** N'insérez pas la batterie de force. Si elle ne glisse pas facilement, c'est que vous ne l'insérez pas correctement.

## Système de protection de l'outil/la batterie

L'outil est équipé d'un système de protection de l'outil/la batterie. Ce système coupe automatiquement l'alimentation vers le moteur pour prolonger la durée de vie de l'outil et de la batterie. Si l'outil ou la batterie se trouve dans l'une des situations suivantes, l'outil cessera automatiquement de fonctionner.



## Protection contre la surcharge

Lorsque la batterie est utilisée d'une manière provoquant un appel de courant anormalement élevé, l'outil s'arrête automatiquement sans indication. Dans ce cas, éteignez l'outil et arrêtez la tâche ayant provoqué la surcharge de l'outil. Puis rallumez l'outil pour reprendre la tâche.

## Protection contre la surchauffe

En cas de surchauffe de l'outil ou de la batterie, l'outil s'arrête automatiquement et la lampe clignote. Dans ce cas, laissez l'outil et la batterie refroidir avant de rallumer l'outil.

## Protection contre la décharge totale de la batterie

Lorsque la charge de la batterie est insuffisante, l'outil s'arrête automatiquement. Si vous allumez l'outil, le moteur redémarre, mais s'arrête rapidement. Dans ce cas, retirez la batterie de l'outil et chargez-la.

## Indication de la charge restante de la batterie

### Uniquement pour les batteries avec voyant lumineux

► **Fig.2:** 1. Témoins 2. Bouton de vérification

Appuyez sur le bouton de vérification sur la batterie pour indiquer la charge restante de la batterie. Les témoins s'allument pendant quelques secondes.

Témoins		Charge restante
Allumé	Éteint	
		75 % à 100 %
		50 % à 75 %
		25 % à 50 %
		0 % à 25 %

**NOTE :** Selon les conditions d'utilisation et la température ambiante, l'indication peut être légèrement différente de la capacité réelle.

## Sélection du mouvement de coupe

► **Fig.3:** 1. Levier de changement du mouvement de coupe

Cet outil peut fonctionner avec un mouvement de coupe orbital ou rectiligne (de haut en bas). Le mouvement de coupe orbital propulse la lame de scie sauteuse vers l'avant sur la course de coupe et augmente considérablement la vitesse de coupe.

Pour changer de mouvement de coupe, il suffit de tourner le levier de changement du mouvement de coupe sur la position de mouvement de coupe souhaitée. Consultez le tableau pour sélectionner le mouvement de coupe approprié.

Position	Mouvement de coupe	Applications
0	Mouvement de coupe rectiligne	Pour couper l'acier doux, l'acier inoxydable et le plastique. Pour des coupes propres dans le bois et le contreplaqué.
I	Petit mouvement de coupe orbital	Pour couper l'acier doux, l'aluminium et le bois franc.
II	Mouvement de coupe orbital moyen	Pour couper le bois et le contreplaqué. Pour une coupe rapide de l'aluminium et l'acier doux.
III	Mouvement de coupe orbital grand	Pour une coupe rapide du bois et du contreplaqué.

## Fonctionnement de la gâchette

Pour mettre sous tension l'outil, appuyez sur le bouton verrouiller/déverrouiller. L'outil passe en mode veille. Pour démarrer l'outil, appuyez sur le bouton marche/arrêt en mode veille. Pour arrêter l'outil, appuyez à nouveau sur le bouton marche/arrêt. L'outil passe en mode veille. Pour mettre hors tension l'outil, appuyez sur le bouton verrouiller/déverrouiller en mode veille.

► **Fig.4:** 1. Bouton verrouiller/déverrouiller 2. Bouton marche/arrêt

**NOTE :** Si l'outil n'est pas utilisé pendant 10 secondes en mode veille, il se met automatiquement hors tension et le voyant s'éteint.

**NOTE :** Vous pouvez également arrêter et mettre hors tension l'outil en appuyant sur le bouton verrouiller/déverrouiller lorsque l'outil fonctionne.

## Allumage de la lampe avant

**ATTENTION :** Évitez de regarder directement le faisceau lumineux ou sa source.

Pour allumer le voyant, appuyez sur le bouton verrouiller/déverrouiller. Pour éteindre le voyant, appuyez à nouveau sur le bouton verrouiller/déverrouiller.

**REMARQUE :** Lorsque l'outil est en surchauffe, le voyant clignote. Laissez l'outil refroidir totalement avant de le réutiliser.

**NOTE :** Retirez la saleté sur la lentille de la lampe avec un chiffon sec. Prenez soin de ne pas érafler la lentille de la lampe sous peine de diminuer son éclairage.

## Cadran de réglage de la vitesse

### ► Fig.5: 1. Cadran de réglage de la vitesse

La vitesse de l'outil peut être réglée en tournant le cadran de réglage de la vitesse. Vous pouvez obtenir la vitesse la plus élevée en sélectionnant 5 et la vitesse la plus basse en sélectionnant 1.

Reportez-vous au tableau pour sélectionner la vitesse qui convient à la pièce à couper. La vitesse adéquate peut toutefois varier suivant le type de matériau ou l'épaisseur de la pièce. En général, les vitesses rapides permettent de couper les pièces plus rapidement, mais cela réduit la durée de service de la lame.

Pièce	Numéro
Bois	4 - 5
Acier doux	3 - 5
Acier inoxydable	3 - 4
Aluminium	3 - 5
Plastique	1 - 4

**REMARQUE :** Lorsque vous faites passer le cadran de vitesse de « 5 » à « 1 », tournez le cadran dans le sens inverse des aiguilles d'une montre. Ne forcez pas en tournant le cadran dans le sens des aiguilles d'une montre.

## Fonctions électroniques

L'outil est muni de fonctions électroniques pour faciliter l'utilisation.

- Démarrage en douceur  
La fonction de démarrage en douceur minimise le choc au démarrage et permet de démarrer l'outil en douceur.
- Rotation progressive à vide  
Pour réduire les vibrations et aligner facilement la lame de scie sauteuse sur le trait de coupe, l'outil réduit automatiquement la vitesse de rotation jusqu'à ce qu'il commence la coupe de la pièce lorsque le cadran de réglage de la vitesse est placé sur 2 ou plus. Une fois que l'outil commence la coupe de la pièce, sa vitesse atteint la vitesse programmée et la maintient jusqu'à ce qu'il s'arrête.

**NOTE :** Cette fonction peut ne pas être disponible à basse température.

## Désactivation de la fonction de rotation progressive à vide

Pour désactiver la fonction de rotation progressive à vide, procédez comme indiqué ci-dessous.

1. Assurez-vous que l'outil est éteint.
2. Placez le cadran de réglage de la vitesse sur « 1 ».
3. Appuyez sur le bouton de blocage/déblocage pour allumer l'outil.
4. Placez le cadran de réglage de la vitesse sur « 5 » en le tournant, puis placez-le sur « 1 » en le tournant à l'envers.

Le voyant clignote deux fois pour indiquer que la fonction de rotation progressive à vide est désactivée. Pour réactiver cette fonction, répétez la même procédure.

**NOTE :** Si la fonction de rotation progressive à vide est désactivée, le voyant clignote deux fois lorsque l'outil est allumé.

**NOTE :** Vous pouvez également désactiver ou activer la fonction de rotation progressive à vide en faisant passer le cadran de réglage de la vitesse de « 5 » à « 1 » et de « 1 » à « 5 ».

## ASSEMBLAGE

**ATTENTION :** Assurez-vous toujours que l'outil est hors tension et que sa batterie est retirée avant d'effectuer toute tâche dessus.

## Pose ou dépose de la lame de scie sauteuse

**ATTENTION :** Enlevez toujours tous les copeaux ou les corps étrangers qui adhèrent à la lame de scie sauteuse et/ou au porte-lame. Sinon, la lame risque de ne pas être assez serrée, ce qui pourrait entraîner de graves blessures corporelles.

**ATTENTION :** Ne touchez pas la lame de scie sauteuse ou la pièce immédiatement après le fonctionnement. Elles peuvent être extrêmement chaudes et brûler votre peau.

**ATTENTION :** Fixez toujours solidement la lame de scie sauteuse. Si vous ne serrez pas assez la lame, elle risque de se briser ou vous pourriez gravement vous blesser.

**ATTENTION :** N'utilisez qu'une lame de scie sauteuse de type B. Si vous utilisez une lame d'un autre type que B, la lame risque de ne pas être assez serrée, ce qui pourrait entraîner de graves blessures corporelles.

**ATTENTION :** Lorsque vous retirez la lame de scie sauteuse, prenez garde de ne pas vous blesser les doigts avec le haut de la lame ou les pointes de la pièce.

Avant d'installer la lame de scie sauteuse, veillez à ce que le taquet du serre-lame soit sur la position ouverte. Pour installer la lame de scie sauteuse, insérez la lame (dents tournées vers l'avant) dans le porte-lame. Le taquet bascule sur la position fermée et la lame est bloquée. Assurez-vous que le bord arrière de la lame s'engage dans le rouleau. Tirez légèrement sur la lame pour vous assurer qu'elle ne tombe pas pendant le fonctionnement.

► Fig.6: 1. Porte-lame de scie sauteuse 2. Position ouverte 3. Position fermée

► Fig.7: 1. Porte-lame de scie sauteuse 2. Lame de scie sauteuse

**ATTENTION :** Si le taquet ne bascule pas sur la position fermée, la lame n'est pas complètement installée. Ne poussez pas manuellement le taquet sur la position fermée. Vous risqueriez d'endommager l'outil.

Pour retirer la lame de scie sauteuse, poussez le taquet à fond vers l'avant. Ceci permettra de dégager la lame.

► Fig.8: 1. Porte-lame de scie sauteuse 2. Lame de scie sauteuse

**NOTE :** Lubrifiez de temps en temps le rouleau.

## Rangement de la clé hexagonale

► **Fig.9:** 1. Crochet 2. Clé hexagonale

Après utilisation, rangez la clé hexagonale comme indiqué sur la figure pour éviter de l'égarer. Insérez d'abord la clé hexagonale dans le trou. Ensuite, poussez-la dans le crochet jusqu'à ce qu'elle soit verrouillée.

## UTILISATION

**⚠ ATTENTION :** Tenez toujours la base au ras de la pièce. Sinon, la lame de scie sauteuse risque de se briser, ce qui pourrait entraîner de graves blessures.

**⚠ ATTENTION :** Faites progresser l'outil très lentement lors de coupes courbe ou en spirale. La lame de scie sauteuse risque de se briser et la surface de coupe risque d'être oblique si vous forcez sur l'outil.

► **Fig.10:** 1. Trait de coupe 2. Base

Mettez l'outil sous tension alors que la lame de scie sauteuse ne touche à rien et attendez qu'elle atteigne sa pleine vitesse. Puis posez la base à plat sur la pièce et faites avancer délicatement l'outil le long du trait de coupe préalablement marqué.

## Coupe en biseau

**⚠ ATTENTION :** Assurez-vous toujours que l'outil est hors tension et que la batterie est retirée avant d'incliner la base.

En inclinant la base, vous pouvez réaliser des coupes en biseau dans un angle compris entre 0 et 45° (à gauche ou à droite).

► **Fig.11**

Desserrez le boulon au dos de la base avec la clé hexagonale. Déplacez la base de sorte que le boulon se trouve au centre de la fente en forme de croix dans la base.

► **Fig.12:** 1. Clé hexagonale 2. Boulon 3. Base

Inclinez la base jusqu'à ce que vous obteniez l'angle de coupe en biseau souhaité. Le bord du carter du moteur indique l'angle de coupe en biseau par des graduations. Puis serrez le boulon pour fixer la base.

► **Fig.13:** 1. Bord 2. Graduation

## Coupes à ras avant

► **Fig.14:** 1. Clé hexagonale 2. Boulon 3. Base

Desserrez le boulon au dos de la base avec la clé hexagonale et faites glisser complètement la base en arrière. Puis serrez le boulon pour fixer la base.

## Découpes

Des découpes peuvent être faites selon deux méthodes : « l'alésage d'un trou de départ » ou « la coupe en plongée ».

### Alésage d'un trou de départ

► **Fig.15**

Pour les découpes internes sans coupe initiale depuis un bord, percez d'abord un trou de départ de 12 mm ou plus de diamètre. Insérez la lame de scie sauteuse dans ce trou pour commencer votre coupe.

### Coupe en plongée

► **Fig.16**

Il n'est pas nécessaire d'alésier un trou de départ ou de faire une coupe initiale si vous procédez avec soin comme suit.

1. Inclinez l'outil vers le haut sur le bord avant de la base avec la pointe de la lame de scie sauteuse placée juste au-dessus de la surface de la pièce.

2. Exercez une pression sur l'outil de sorte que le bord avant de la base ne bouge pas lorsque vous mettez l'outil sous tension et abaissez délicatement et lentement l'arrière de l'outil.

3. À mesure que la lame de scie sauteuse perce la pièce, abaissez lentement la base de l'outil sur la surface de la pièce.

4. Terminez la coupe normalement.

## Finition des bords

► **Fig.17**

Pour profiler des bords ou ajuster les dimensions, passez légèrement la lame de scie sauteuse le long des bords coupés.

## Coupe du métal

Utilisez toujours un réfrigérant adapté (huile de coupe) quand vous sciez du métal. Sinon, la lame de scie sauteuse s'usera considérablement. Le dessous de la pièce peut être lubrifié au lieu d'utiliser un réfrigérant.

## Aspiration de la poussière

### Accessoire en option

Pour réaliser des coupes propres, raccordez cet outil à un aspirateur Makita.

### Pose ou dépose du pare-poussière

Installez le pare-poussière comme illustré sur la figure.

► **Fig.18:** 1. Pare-poussière

Pour retirer le pare-poussière, appuyez sur un de ses côtés, puis retirez-le comme illustré sur la figure.

► **Fig.19:** 1. Pare-poussière

### Pose ou dépose du raccord à poussière

Insérez le raccord à poussière à fond dans l'outil.

► **Fig.20:** 1. Raccord à poussière

Pour retirer le raccord à poussière, tirez dessus tout en appuyant sur le bouton du raccord à poussière.

► **Fig.21:** 1. Bouton 2. Raccord à poussière

## Raccordement de l'outil à l'aspirateur

Raccordez le tuyau de l'aspirateur au raccord à poussière.

► Fig.22

## Guide parallèle

*Accessoire en option*

**⚠ ATTENTION :** Assurez-vous toujours que l'outil est hors tension et que la batterie est retirée avant de poser ou de retirer des accessoires.

## Coupes rectilignes

Lorsque vous coupez de manière répétée des largeurs de 160 mm ou moins, l'utilisation du guide parallèle garantira des coupes rapides, propres et rectilignes.

► Fig.23: 1. Guide parallèle (règle de guidage)

Pour l'installer, insérez le guide parallèle dans l'orifice rectangulaire sur le côté de la base avec le guide de butée tourné vers le bas. Faites glisser le guide parallèle sur la position de largeur de coupe souhaitée, puis serrez le boulon pour le fixer.

► Fig.24: 1. Clé hexagonale 2. Boulon 3. Guide de butée 4. Guide parallèle (règle de guidage)

## Coupes circulaires

Lorsque vous coupez des cercles ou des arcs de 170 mm ou moins de rayon, installez le guide parallèle comme suit.

► Fig.25: 1. Guide parallèle (règle de guidage)

1. Insérez le guide parallèle dans l'orifice rectangulaire sur le côté de la base avec le guide de butée tourné vers le haut.
  2. Insérez la goupille de guidage circulaire par l'un des deux orifices sur le guide de butée. Vissez le pommeau fileté sur la goupille pour la fixer.
- Fig.26: 1. Pommeau fileté 2. Guide de butée 3. Guide parallèle (règle de guidage) 4. Goupille

3. Faites glisser le guide parallèle sur le rayon de coupe souhaité, puis serrez le boulon pour le fixer. Déplacez ensuite la base complètement vers l'avant.

**NOTE :** Utilisez toujours des lames de scie sauteuse numéro B-17, B-18, B-26 ou B-27 lors de la coupe de cercles ou arcs.

## Dispositif anti-éclatement

*Accessoire en option*

**⚠ ATTENTION :** Le dispositif anti-éclatement ne peut pas être utilisé si vous réalisez des coupes en biseau.

► Fig.27: 1. Base 2. Dispositif anti-éclatement

Utilisez le dispositif anti-éclatement pour garantir des coupes sans éclats. Pour installer le dispositif anti-éclatement, déplacez la base de l'outil complètement vers l'avant et insérez-le par l'arrière de la base de l'outil. Lorsque vous utilisez la semelle, installez le dispositif anti-éclatement sur la semelle.

## Semelle

*Accessoire en option*

► Fig.28: 1. Semelle 2. Base

Utilisez la semelle lorsque vous découpez du placage décoratif, du plastique, etc. Elle protège les surfaces sensibles et délicates contre les dommages. Placez-la sur l'arrière de la base de l'outil.

## Ensemble de l'adaptateur pour rail de guidage

*Accessoire en option*

Lors de coupes de largeurs parallèles et uniformes ou de coupes droites, l'utilisation du rail de guidage et de l'adaptateur pour rail de guidage garantit des coupes rapides et propres. Pour installer l'adaptateur pour rail de guidage, insérez la règle à fond dans l'orifice carré de la base. Fixez solidement le boulon avec la clé hexagonale.

► Fig.29: 1. Clé hexagonale 2. Règle

Insérez la règle dans l'orifice carré de l'adaptateur pour rail de guidage et fixez fermement la vis. Placez l'adaptateur pour rail de guidage sur le rail de guidage.

► Fig.30: 1. Adaptateur pour rail de guidage 2. Rail de guidage 3. Vis

**REMARQUE :** Utilisez toujours des lames N° B-8, B-13, B-16, B-17 ou 58 lorsque vous utilisez le rail de guidage et l'adaptateur pour rail de guidage.

## ENTRETIEN

**⚠ ATTENTION :** Assurez-vous toujours que l'outil est hors tension et que la batterie est retirée avant d'y effectuer tout travail d'inspection ou d'entretien.

**REMARQUE :** N'utilisez jamais d'essence, benzine, diluant, alcool ou autre produit similaire. Cela risquerait de provoquer la décoloration, la déformation ou la fissuration de l'outil.

Pour assurer la SÉCURITÉ et la FIABILITÉ du produit, toute réparation, tout travail d'entretien ou de réglage doivent être effectués par un centre d'entretien Makita agréé, avec des pièces de rechange Makita.

# ACCESSOIRES EN OPTION

**⚠ ATTENTION** : Ces accessoires ou pièces complémentaires sont recommandés pour l'utilisation avec l'outil Makita spécifié dans ce mode d'emploi. L'utilisation de tout autre accessoire ou pièce complémentaire peut comporter un risque de blessure. N'utilisez les accessoires ou pièces complémentaires qu'aux fins auxquelles ils ont été conçus.

Pour obtenir plus de détails sur ces accessoires, contactez votre centre d'entretien local Makita.

- Lames de scie sauteuse
- Clé hexagonale 3
- Ensemble du guide parallèle (règle de guidage)
- Ensemble de l'adaptateur pour rail de guidage
- Dispositif anti-éclatement
- Tuyau (pour l'aspirateur)
- Semelle
- Raccord à poussière
- Pare-poussière
- Batterie et chargeur Makita d'origine

**NOTE** : Il se peut que certains éléments de la liste soient compris dans l'emballage de l'outil en tant qu'accessoires standard. Ils peuvent varier d'un pays à l'autre.

## TECHNISCHE DATEN

<b>Modell:</b>		<b>JV102D</b>
Hublänge		23 mm
Hubzahl pro Minute		800 - 3.000 min <sup>-1</sup>
Sägeblatttyp		Typ B
Max. Schnittiefen	Holz	90 mm
	Weichstahl	10 mm
	Aluminium	20 mm
Gesamtlänge		237 mm
Nennspannung		10,8 V - 12 V Gleichstrom
Nettogewicht		1,8 - 1,9 kg

- Wir behalten uns vor, Änderungen der technischen Daten im Zuge der Entwicklung und des technischen Fortschritts ohne vorherige Ankündigung vorzunehmen.
- Die technischen Daten können von Land zu Land unterschiedlich sein.
- Das Gewicht kann abhängig von dem Aufsatz (den Aufsätzen), einschließlich des Akkus, unterschiedlich sein. Die leichteste und die schwerste Kombination, gemäß dem EPTA-Verfahren 01/2014, sind in der Tabelle angegeben.

### Zutreffende Akkus und Ladegeräte

Akku	BL1015 / BL1016 / BL1020B / BL1021B / BL1040B / BL1041B
Ladegerät	DC10SA / DC10SB / DC10WC / DC10WD / DC18RE

- Einige der oben aufgelisteten Akkus und Ladegeräte sind je nach Ihrem Wohngebiet eventuell nicht erhältlich.

**⚠️ WARNUNG:** Verwenden Sie nur die oben aufgeführten Akkus und Ladegeräte. Bei Verwendung irgendwelcher anderer Akkus und Ladegeräte besteht Verletzungs- und/oder Brandgefahr.

### Verwendungszweck

Das Werkzeug ist zum Sägen von Holz, Kunststoff und Metallmaterial vorgesehen. Dank dem ausgedehnten Zubehör- und Sägeblattprogramm kann das Werkzeug für zahlreiche Zwecke eingesetzt werden und eignet sich sehr gut für gekrümmte oder kreisförmige Schnitte.

### Geräusch

Typischer A-bewerteter Geräuschpegel ermittelt gemäß EN62841-2-11:

Schalldruckpegel ( $L_{pA}$ ): 85 dB (A)

Schalleistungspegel ( $L_{WA}$ ): 96 dB (A)

Messunsicherheit (K): 3 dB (A)

**HINWEIS:** Der (Die) angegebene(n)

Schallemissionswert(e) wurde(n) im Einklang mit der Standardprüfmethode gemessen und kann (können) für den Vergleich zwischen Werkzeugen herangezogen werden.

**HINWEIS:** Der (Die) angegebene(n)

Schallemissionswert(e) kann (können) auch für eine Vorbewertung des Gefährdungsgrads verwendet werden.

**⚠️ WARNUNG:** Einen Gehörschutz tragen.

**⚠️ WARNUNG:** Die Schallemission während der tatsächlichen Benutzung des Elektrowerkzeugs kann je nach der Benutzungsweise des Werkzeugs, und speziell je nach der Art des bearbeiteten Werkstücks, von dem (den) angegebenen Wert(en) abweichen.

**⚠️ WARNUNG:** Identifizieren Sie Sicherheitsmaßnahmen zum Schutz des Benutzers anhand einer Schätzung des Gefährdungsgrads unter den tatsächlichen Benutzungsbedingungen (unter Berücksichtigung aller Phasen des Arbeitszyklus, wie z. B. Ausschalt- und Leerlaufzeiten des Werkzeugs zusätzlich zur Betriebszeit).

### Schwingungen

Schwingungsgesamtwert (Drei-Achsen-Vektorsumme) ermittelt gemäß EN62841-2-11:

Arbeitsmodus: Schneiden von Brettern

Schwingungsemission ( $a_{h,B}$ ): 11,5 m/s<sup>2</sup>

Messunsicherheit (K): 1,5 m/s<sup>2</sup>

Arbeitsmodus: Schneiden von Blechen

Schwingungsemission ( $a_{h,M}$ ): 9,5 m/s<sup>2</sup>

Messunsicherheit (K): 1,5 m/s<sup>2</sup>

**HINWEIS:** Der (Die) angegebene(n) Vibrationsgesamtwert(e) wurde(n) im Einklang mit der Standardprüfmethode gemessen und kann (können) für den Vergleich zwischen Werkzeugen herangezogen werden.

**HINWEIS:** Der (Die) angegebene(n) Vibrationsgesamtwert(e) kann (können) auch für eine Vorbewertung des Gefährdungsgrads verwendet werden.

**⚠️ WARNUNG:** Die Vibrationsemission während der tatsächlichen Benutzung des Elektrowerkzeugs kann je nach der Benutzungsweise des Werkzeugs, und speziell je nach der Art des bearbeiteten Werkstücks, von dem (den) angegebenen Emissionswert(en) abweichen.

**⚠️ WARNUNG:** Identifizieren Sie Sicherheitsmaßnahmen zum Schutz des Benutzers anhand einer Schätzung des Gefährdungsgrads unter den tatsächlichen Benutzungsbedingungen (unter Berücksichtigung aller Phasen des Arbeitszyklus, wie z. B. Ausschalt- und Leerlaufzeiten des Werkzeugs zusätzlich zur Betriebszeit).

## EG-Konformitätserklärung

### Nur für europäische Länder

Die EG-Konformitätserklärung ist als Anhang A in dieser Bedienungsanleitung enthalten.

## SICHERHEITSWARNUNGEN

### Allgemeine Sicherheitswarnungen für Elektrowerkzeuge

**⚠️ WARNUNG:** Lesen Sie alle mit diesem Elektrowerkzeug gelieferten Sicherheitswarnungen, Anweisungen, Abbildungen und technischen Daten durch. Eine Missachtung der unten aufgeführten Anweisungen kann zu einem elektrischen Schlag, Brand und/oder schweren Verletzungen führen.

## Bewahren Sie alle Warnungen und Anweisungen für spätere Bezugnahme auf.

Der Ausdruck „Elektrowerkzeug“ in den Warnhinweisen bezieht sich auf Ihr mit Netzstrom (mit Kabel) oder Akku (ohne Kabel) betriebenes Elektrowerkzeug.

### Sicherheitswarnungen für Akku-Stichsäge

1. Halten Sie das Elektrowerkzeug an den isolierten Griffflächen, wenn Sie Arbeiten ausführen, bei denen die Gefahr besteht, dass das Schneidwerkzeug verborgene Kabel kontaktiert. Bei Kontakt mit einem Strom führenden Kabel können die freiliegenden Metallteile des Elektrowerkzeugs ebenfalls Strom führend werden, so dass der Benutzer einen elektrischen Schlag erleiden kann.

2. Verwenden Sie Klemmen oder eine andere praktische Methode, um das Werkstück auf einer stabilen Unterlage zu sichern und abzustützen. Wenn Sie das Werkstück nur von Hand oder gegen Ihren Körper halten, befindet es sich in einer instabilen Lage, die zum Verlust der Kontrolle führen kann.
3. Tragen Sie stets eine Sicherheits- oder Schutzbrille. Eine gewöhnliche Brille oder Sonnenbrille ist KEIN Ersatz für eine Sicherheitsbrille.
4. Vermeiden Sie das Schneiden von Nägeln. Untersuchen Sie das Werkstück auf Nägel, und entfernen Sie diese vor der Bearbeitung.
5. Schneiden Sie keine übergroßen Werkstücke.
6. Vergewissern Sie sich vor dem Schneiden, dass genügend Platz hinter dem Werkstück vorhanden ist, damit das Sägeblatt nicht auf den Boden, die Werkbank usw. trifft.
7. Halten Sie das Werkzeug mit festem Griff.
8. Vergewissern Sie sich vor dem Einschalten des Werkzeugs, dass das Sägeblatt nicht das Werkstück berührt.
9. Halten Sie die Hände von beweglichen Teilen fern.
10. Lassen Sie das Werkzeug nicht unbeaufsichtigt laufen. Benutzen Sie das Werkzeug nur im handgeführten Einsatz.
11. Schalten Sie das Werkzeug stets aus, und warten Sie, bis das Sägeblatt zum vollständigen Stillstand kommt, bevor Sie das Sägeblatt aus dem Werkstück entfernen.
12. Vermeiden Sie eine Berührung des Sägeblatts oder des Werkstücks unmittelbar nach der Bearbeitung, weil sie dann möglicherweise noch sehr heiß sind und Hautverbrennungen verursachen können.
13. Lassen Sie das Werkzeug nicht unnötig im Leerlauf laufen.
14. Manche Materialien können giftige Chemikalien enthalten. Treffen Sie Vorsichtsmaßnahmen, um das Einatmen von Arbeitsstaub und Hautkontakt zu verhindern. Befolgen Sie die Sicherheitsdaten des Materiallieferanten.
15. Verwenden Sie stets die korrekte Staubschutz-/Atemmaske für das jeweilige Material und die Anwendung.

## DIESE ANWEISUNGEN AUFBEWAHREN.

**⚠️ WARNUNG:** Lassen Sie sich NICHT durch Bequemlichkeit oder Vertrautheit mit dem Produkt (durch wiederholten Gebrauch erworben) von der strikten Einhaltung der Sicherheitsregeln für das vorliegende Produkt abhalten. MISSBRAUCH oder Missachtung der Sicherheitsvorschriften in dieser Anleitung können schwere Personenschäden verursachen.

## Wichtige Sicherheitsanweisungen für Akku

1. Lesen Sie vor der Benutzung des Akkus alle Anweisungen und Warnhinweise, die an (1) Ladegerät, (2) Akku und (3) Akkuwerkzeug angebracht sind.
2. Unterlassen Sie ein Zerlegen des Akkus.
3. Falls die Betriebszeit beträchtlich kürzer geworden ist, stellen Sie den Betrieb sofort ein. Anderenfalls besteht die Gefahr von Überhitzung, möglichen Verbrennungen und sogar einer Explosion.
4. Falls Elektrolyt in Ihre Augen gelangt, waschen Sie sie mit sauberem Wasser aus, und begeben Sie sich unverzüglich in ärztliche Behandlung. Anderenfalls können Sie Ihre Sehkraft verlieren.
5. Der Akku darf nicht kurzgeschlossen werden:
  - (1) Die Kontakte dürfen nicht mit leitfähigem Material berührt werden.
  - (2) Lagern Sie den Akku nicht in einem Behälter zusammen mit anderen Metallgegenständen, wie z. B. Nägel, Münzen usw.
  - (3) Setzen Sie den Akku weder Wasser noch Regen aus.

Ein Kurzschluss des Akkus verursacht starken Stromfluss, der Überhitzung, mögliche Verbrennungen und einen Defekt zur Folge haben kann.

6. Lagern Sie das Werkzeug und den Akku nicht an Orten, an denen die Temperatur 50 °C erreichen oder überschreiten kann.
7. Versuchen Sie niemals, den Akku zu verbrennen, selbst wenn er stark beschädigt oder vollkommen verbraucht ist. Der Akku kann im Feuer explodieren.
8. Achten Sie darauf, dass der Akku nicht fallen gelassen oder Stößen ausgesetzt wird.
9. Benutzen Sie keine beschädigten Akkus.
10. Die enthaltenen Lithium-Ionen-Akkus unterliegen den Anforderungen der Gefahrgut-Gesetzgebung.

Für kommerzielle Transporte, z. B. durch Dritte oder Spediteure, müssen besondere Anforderungen zu Verpackung und Etikettierung beachtet werden. Zur Vorbereitung des zu transportierenden Artikels ist eine Beratung durch einen Experten für Gefahrgut erforderlich. Bitte beachten Sie möglicherweise ausführlichere nationale Vorschriften. Überkleben oder verdecken Sie offene Kontakte, und verpacken Sie den Akku so, dass er sich in der Verpackung nicht umher bewegen kann.
11. Befolgen Sie die örtlichen Bestimmungen bezüglich der Entsorgung von Akkus.
12. Verwenden Sie die Akkus nur mit den von Makita angegebenen Produkten. Das Einsetzen der Akkus in nicht konforme Produkte kann zu einem Brand, übermäßiger Hitzebildung, einer Explosion oder Auslaufen von Elektrolyt führen.

## DIESE ANWEISUNGEN AUFBEWAHREN.

**⚠ VORSICHT:** Verwenden Sie nur Original-Makita-Akkus. Die Verwendung von Nicht-Original-Makita-Akkus oder von Akkus, die abgeändert worden sind, kann zum Bersten des Akkus und daraus resultierenden Bränden, Personenschäden und Beschädigung führen. Außerdem wird dadurch die Makita-Garantie für das Makita-Werkzeug und -Ladegerät ungültig.

## Hinweise zur Aufrechterhaltung der maximalen Akku-Nutzungsdauer

1. Laden Sie den Akku, bevor er vollkommen erschöpft ist. Schalten Sie das Werkzeug stets aus, und laden Sie den Akku, wenn Sie ein Nachlassen der Werkzeugleistung feststellen.
2. Unterlassen Sie erneutes Laden eines voll aufgeladenen Akkus. Überladen führt zu einer Verkürzung der Nutzungsdauer des Akkus.
3. Laden Sie den Akku bei Raumtemperatur zwischen 10 – 40 °C. Lassen Sie einen heißen Akku abkühlen, bevor Sie ihn laden.

## FUNKTIONSBESCHREIBUNG

**⚠ VORSICHT:** Vergewissern Sie sich vor der Durchführung von Einstellungen oder Funktionsprüfungen des Werkzeugs stets, dass das Werkzeug ausgeschaltet und der Akku abgenommen ist.

## Anbringen und Abnehmen des Akkus

**⚠ VORSICHT:** Schalten Sie das Werkzeug stets aus, bevor Sie den Akku anbringen oder abnehmen.

**⚠ VORSICHT:** Halten Sie das Werkzeug und den Akku beim Anbringen oder Abnehmen des Akkus sicher fest. Wenn Sie das Werkzeug und den Akku nicht sicher festhalten, können sie Ihnen aus der Hand rutschen, was zu einer Beschädigung des Werkzeugs und des Akkus und zu Körperverletzungen führen kann.

► **Abb.1:** 1. Rote Anzeige 2. Knopf 3. Akku

Ziehen Sie den Akku zum Abnehmen vom Werkzeug ab, während Sie den Knopf an der Vorderseite des Akkus verschieben.

Richten Sie zum Anbringen des Akkus dessen Führungsfeder auf die Nut im Gehäuse aus, und schieben Sie den Akku hinein. Schieben Sie ihn vollständig ein, bis er mit einem hörbaren Klicken einrastet. Falls die rote Anzeige an der Oberseite des Knopfes sichtbar ist, ist der Akku nicht vollständig verriegelt.

**⚠ VORSICHT:** Schieben Sie den Akku stets bis zum Anschlag ein, bis die rote Anzeige nicht mehr sichtbar ist. Anderenfalls kann er aus dem Werkzeug herausfallen und Sie oder umstehende Personen verletzen.

**⚠ VORSICHT:** Unterlassen Sie Gewaltanwendung beim Anbringen des Akkus. Falls der Akku nicht reibungslos hineingleitet, ist er nicht richtig ausgerichtet.



## Werkzeug/Akku-Schutzsystem

Das Werkzeug ist mit einem Werkzeug/Akku-Schutzsystem ausgestattet. Dieses System schaltet die Stromversorgung des Motors automatisch ab, um die Lebensdauer von Werkzeug und Akku zu verlängern. Das Werkzeug bleibt während des Betriebs automatisch stehen, wenn das Werkzeug oder der Akku einer der folgenden Bedingungen unterliegt:

### Überlastschutz

Wird der Akku auf eine Weise benutzt, die eine ungewöhnlich hohe Stromaufnahme bewirkt, bleibt das Werkzeug ohne jegliche Anzeige automatisch stehen. Schalten Sie in dieser Situation das Werkzeug aus, und brechen Sie die Arbeit ab, die eine Überlastung des Werkzeugs verursacht hat. Schalten Sie dann das Werkzeug wieder ein, um es neu zu starten.

### Überhitzungsschutz

Wenn das Werkzeug oder der Akku überhitzt wird, bleibt das Werkzeug automatisch stehen, und die Lampe beginnt zu blinken. Lassen Sie das Werkzeug und den Akku in diesem Fall abkühlen, bevor Sie das Werkzeug wieder einschalten.

### Überentladungsschutz

Wenn die Akkukapazität unzureichend wird, bleibt das Werkzeug automatisch stehen. Wenn Sie das Werkzeug einschalten, läuft der Motor wieder an, bleibt aber bald darauf stehen. Nehmen Sie in diesem Fall den Akku vom Werkzeug ab, und laden Sie ihn auf.

## Anzeigen der Akku-Restkapazität

### Nur für Akkus mit Anzeige

► **Abb.2:** 1. Anzeigelampen 2. Prüftaste

Drücken Sie die Prüftaste am Akku, um die Akku-Restkapazität anzuzeigen. Die Anzeigelampen leuchten wenige Sekunden lang auf.

Anzeigelampen		Restkapazität
Erluchtet	Aus	
■ ■ ■ ■	□	75% bis 100%
■ ■ ■ □	□	50% bis 75%
■ ■ □ □	□ □	25% bis 50%
■ □ □ □	□ □ □ □	0% bis 25%

**HINWEIS:** Abhängig von den Benutzungsbedingungen und der Umgebungstemperatur kann die Anzeige geringfügig von der tatsächlichen Kapazität abweichen.

## Wahl der Schnittbewegung

► **Abb.3:** 1. Schnittbewegungs-Umschalthebel

Dieses Werkzeug kann mit einer kreisförmigen oder geradlinigen (auf und ab) Schnittbewegung betrieben werden. Bei kreisförmiger Schnittbewegung wird das Sticksägeblatt im Schnitthub vorgeschoben, wodurch die Schnittgeschwindigkeit beträchtlich erhöht wird.

Um die Schnittbewegung zu wechseln, stellen Sie einfach den Schnittbewegungs-Umschalthebel auf die Position der gewünschten Schnittbewegung. Wählen Sie die geeignete Schnittbewegung anhand der Tabelle aus.

Position	Schnittbewegung	Anwendungen
0	Geradlinige Schnittbewegung	Zum Schneiden von Weichstahl, Edelstahl und Kunststoffen. Für saubere Schnitte in Holz und Sperrholz.
I	Kleine kreisförmige Schnittbewegung	Zum Schneiden von Weichstahl, Aluminium und Hartholz.
II	Mittelgroße kreisförmige Schnittbewegung	Zum Schneiden von Holz und Sperrholz. Für schnelles Schneiden in Aluminium und Weichstahl.
III	Große kreisförmige Schnittbewegung	Für schnelles Schneiden in Holz und Sperrholz.

## Schalterfunktion

Drücken Sie zum Einschalten des Werkzeugs die Ver-/Entriegelungstaste. Das Werkzeug wird in den Bereitschaftsmodus versetzt. Drücken Sie zum Starten des Werkzeugs die Start/Stopp-Taste im Bereitschaftsmodus. Zum Stoppen des Werkzeugs drücken Sie die Start/Stopp-Taste erneut. Das Werkzeug wird in den Bereitschaftsmodus versetzt. Drücken Sie zum Ausschalten des Werkzeugs die Ver-/Entriegelungstaste im Bereitschaftsmodus.

► **Abb.4:** 1. Ver-/Entriegelungstaste 2. Start/Stopp-Taste

**HINWEIS:** Bleibt das Werkzeug etwa 10 Sekunden lang ohne Bedienung im Bereitschaftsmodus, schaltet es sich automatisch aus, und die Lampe erlischt.

**HINWEIS:** Sie können das Werkzeug auch anhalten und ausschalten, indem Sie die Ver-/Entriegelungstaste während des Betriebs des Werkzeugs drücken.

## Einschalten der Frontlampe

**⚠ VORSICHT:** Blicken Sie nicht direkt in die Lampe oder die Lichtquelle.

Zum Einschalten der Lampe drücken Sie die Ver-/Entriegelungstaste. Zum Ausschalten der Lampe drücken Sie die Ver-/Entriegelungstaste erneut.

**ANMERKUNG:** Bei Überhitzung des Werkzeugs blinkt die Lampe. Lassen Sie das Werkzeug vollständig abkühlen, bevor Sie es wieder in Betrieb nehmen.

**HINWEIS:** Wischen Sie Schmutz auf der Lampenlinse mit einem trockenen Tuch ab. Achten Sie sorgfältig darauf, dass Sie die Lampenlinse nicht verkratzen, weil sich sonst die Lichtstärke verringert.

## Hubzahl-Stellrad

► **Abb.5:** 1. Hubzahl-Stellrad

Die Hubzahl kann durch Drehen des Hubzahl-Stellrads eingestellt werden. Die höchste Hubzahl erhalten Sie bei „5“, und die niedrigste bei „1“. Wählen Sie anhand der Tabelle eine für das zu schneidende Werkstück geeignete Hubzahl aus. Die korrekte Hubzahl kann jedoch je nach der Art oder Dicke des Werkstücks unterschiedlich sein. Im Allgemeinen erlauben höhere Hubzahlen schnelleres Schneiden von Werkstücken, aber die Lebensdauer des Sägeblatts wird verringert.

Werkstück	Nummer
Holz	4 - 5
Weichstahl	3 - 5
Edelstahl	3 - 4
Aluminium	3 - 5
Kunststoffe	1 - 4

**ANMERKUNG:** Um die Hubzahl von „5“ bis „1“ zu ändern, drehen Sie das Stellrad entgegen dem Uhrzeigersinn. Drehen Sie das Stellrad nicht gewaltsam im Uhrzeigersinn.

## Elektronikfunktionen

Das Werkzeug ist für komfortablen Betrieb mit Elektronikfunktionen ausgestattet.

- **Sanftanlauf**  
Die Sanftanlauf-Funktion reduziert Anlaufstöße auf ein Minimum und bewirkt ruckfreies Anlaufen des Werkzeugs.
- **Nulllast-Sanftthub**  
Um die Vibrationen zu verringern und das Sticksägeblatt problemlos auf die Schnittlinie auszurichten, verringert das Werkzeug die Hubzahl automatisch, bis das Werkzeug mit dem Schneiden des Werkstücks beginnt, wenn das Hubzahl-Stellrad auf „2“ oder höher eingestellt ist. Sobald das Werkzeug mit dem Schneiden des Werkstücks beginnt, erreicht die Hubzahl den voreingestellten Wert, der bis zum Anhalten des Werkzeugs beibehalten wird.

**HINWEIS:** Bei niedriger Temperatur ist diese Funktion eventuell nicht verfügbar.

## Deaktivieren der Nulllast-Sanftthubfunktion

Um die Nulllast-Sanftthubfunktion zu deaktivieren, folgen Sie den nachstehenden Schritten.

1. Vergewissern Sie sich, dass das Werkzeug ausgeschaltet ist.
2. Stellen Sie das Hubzahl-Stellrad auf „1“.
3. Drücken Sie die Ver-/Entriegelungstaste, um das Werkzeug einzuschalten.
4. Stellen Sie das Hubzahl-Stellrad durch Vorwärtsdrehen auf „5“, und dann durch Zurückdrehen auf „1“.

Die Lampe blinkt zweimal, um anzuzeigen, dass die Nulllast-Sanftthubfunktion deaktiviert ist. Um diese Funktion wieder zu aktivieren, führen Sie das gleiche Verfahren erneut durch.

**HINWEIS:** Ist die Nulllast-Sanftthubfunktion deaktiviert, blinkt die Lampe beim Einschalten des Werkzeugs zweimal.

**HINWEIS:** Sie können die Nulllast-Sanftthubfunktion auch deaktivieren oder aktivieren, indem Sie das Hubzahl-Stellrad von „5“ auf „1“ und von „1“ auf „5“ drehen.

## MONTAGE

**⚠ VORSICHT:** Vergewissern Sie sich vor der Ausführung von Arbeiten am Werkzeug stets, dass das Werkzeug ausgeschaltet und der Akku abgenommen ist.

## Montieren und Demontieren des Sticksägeblatts

**⚠ VORSICHT:** Säubern Sie das Sticksägeblatt und/oder den Sägeblatthalter stets von anhaftenden Spänen oder Fremdkörpern. Anderenfalls lässt sich das Sägeblatt möglicherweise nicht fest genug einspannen, was schwere Personenschäden zur Folge haben kann.

**⚠ VORSICHT:** Berühren Sie das Sticksägeblatt oder das Werkstück nicht unmittelbar nach dem Arbeitsvorgang. Die Teile können sehr heiß sein und Hautverbrennungen verursachen.

**⚠ VORSICHT:** Ziehen Sie das Sticksägeblatt stets fest an. Unzureichendes Anziehen des Sägeblatts kann zu Sägeblattbruch oder schweren Personenschäden führen.

**⚠ VORSICHT:** Verwenden Sie nur Sticksägeblätter des Typs B. Die Verwendung von anderen Sägeblättern außer solchen des Typs B verursacht unzureichende Befestigung des Sägeblatts, was zu schweren Personenschäden führen kann.

**⚠ VORSICHT:** Achten Sie beim Entfernen des Sticksägeblatts darauf, dass Sie sich nicht die Finger an der Oberkante des Sägeblatts oder den Spitzen des Werkstücks verletzen.

Vergewissern Sie sich vor dem Anbringen des Sticksägeblatts, dass sich der Sägeblatt-Spannhebel in der gelösten Stellung befindet.

Führen Sie das Sticksägeblatt zum Anbringen (mit den Zähnen nach vorn gerichtet) in den Sägeblatthalter ein. Der Hebel bewegt sich auf die fixierte Stellung, und das Sägeblatt wird verriegelt. Vergewissern Sie sich, dass die Hinterkante des Sägeblatts in der Rolle sitzt. Ziehen Sie leicht am Sägeblatt, um sicherzugehen, dass es während des Betriebs nicht herausfällt.

► **Abb.6:** 1. Sticksägeblatthalter 2. Gelöste Stellung  
3. Fixierte Stellung

► **Abb.7:** 1. Sticksägeblatthalter 2. Sticksägeblatt

**⚠ VORSICHT:** Falls sich der Hebel nicht auf die fixierte Stellung bewegt, ist das Sägeblatt nicht vollständig montiert. Drücken Sie den Hebel nicht von Hand auf die fixierte Stellung. Dadurch kann das Werkzeug beschädigt werden.

Um das Sticksägeblatt zu entfernen, schieben Sie den Hebel bis zum Anschlag nach vorn. Dadurch wird das Sägeblatt freigegeben.

► **Abb.8:** 1. Sticksägeblatthalter 2. Sticksägeblatt

**HINWEIS:** Die Rolle ist gelegentlich zu schmieren.

## Aufbewahrung des Inbusschlüssels

► **Abb.9:** 1. Haken 2. Inbusschlüssel

Wenn der Inbusschlüssel nicht benutzt wird, kann er an der in der Abbildung gezeigten Stelle aufbewahrt werden, damit er nicht verloren geht.

Führen Sie zuerst den Inbusschlüssel in die Öffnung ein. Drücken Sie ihn dann in die Halterung hinein, bis er einrastet.

## BETRIEB

**⚠ VORSICHT:** Halten Sie die Grundplatte stets bündig mit dem Werkstück. Anderenfalls kann es zu einem Bruch des Sticksägeblatts kommen, was eine schwere Verletzung zur Folge haben kann.

**⚠ VORSICHT:** Schieben Sie das Werkzeug beim Kurvenschneiden oder Dekupieren sehr langsam vor. Gewaltames Vorschieben des Werkzeugs kann zu einer schiefen Schnittfläche und Bruch des Sticksägeblatts führen.

► **Abb.10:** 1. Schnittlinie 2. Grundplatte

Schalten Sie das Werkzeug ein, ohne dass das Sticksägeblatt Kontakt hat, und warten Sie, bis es seine volle Hubzahl erreicht. Setzen Sie dann die Grundplatte flach auf das Werkstück auf, und schieben Sie das Werkzeug entlang der vorher angezeichneten Schnittlinie sachte vor.

## Neigungsschnitt

**⚠ VORSICHT:** Vergewissern Sie sich vor dem Neigen der Grundplatte stets, dass das Werkzeug ausgeschaltet und der Akku abgenommen ist.

Bei geneigter Grundplatte können Sie Neigungsschnitte in jedem Winkel zwischen 0° und 45° (links oder rechts) ausführen.

► **Abb.11**

Lösen Sie die Schraube auf der Unterseite der Grundplatte mit dem Inbusschlüssel. Verschieben Sie die Grundplatte so, dass sich die Schraube in der Mitte des kreuzförmigen Schlitzes in der Grundplatte befindet.

► **Abb.12:** 1. Inbusschlüssel 2. Schraube  
3. Grundplatte

Neigen Sie die Grundplatte, bis der gewünschte Neigungswinkel erreicht ist. Die Kante des Motorgehäuses kennzeichnet den Neigungswinkel mit Teilstrichen. Ziehen Sie dann die Schraube zur Sicherung der Grundplatte fest.

► **Abb.13:** 1. Kante 2. Teilstrich

## Frontbündige Schnitte

► **Abb.14:** 1. Inbusschlüssel 2. Schraube  
3. Grundplatte

Lösen Sie die Schraube auf der Rückseite der Grundplatte mit dem Inbusschlüssel, und schieben Sie die Grundplatte bis zum Anschlag zurück. Ziehen Sie dann die Schraube zur Sicherung der Grundplatte fest.

## Ausschnitte

Ausschnitte können mit einer von zwei Methoden ausgeführt werden: „Bohren eines Startlochs“ oder „Taufschneiden“.

### Bohren eines Startlochs

► **Abb.15**

Um interne Ausschnitte ohne Zulaufschnitt von einer Kante durchzuführen, bohren Sie ein Startloch mit einem Durchmesser von 12 mm oder mehr vor. Führen Sie das Sticksägeblatt in dieses Loch ein, um Ihren Schnitt zu beginnen.

### Taufschneiden

► **Abb.16**

Sie brauchen kein Startloch zu bohren oder einen Zulaufschnitt auszuführen, wenn Sie den folgenden Vorgang sorgfältig ausführen.

1. Kippen Sie das Werkzeug auf der Vorderkante der Grundplatte nach oben, so dass sich das Sticksägeblatt direkt über der Werkstückoberfläche befindet.
2. Üben Sie Druck auf das Werkzeug aus, so dass sich die Vorderkante der Grundplatte nicht bewegt, wenn Sie das Werkzeug einschalten und das Hinterende des Werkzeugs sachte absenken.
3. Wenn das Sticksägeblatt das Werkstück durchbohrt, senken Sie die Grundplatte des Werkzeugs langsam auf die Werkstückoberfläche ab.
4. Vollenden Sie den Schnitt auf normale Weise.

## Versäubern von Kanten

### ► Abb.17

Um Kanten zu trimmen oder Maßkorrekturen vorzunehmen, führen Sie das Stichsägeblatt leicht an den Schnittkanten entlang.

## Schneiden von Metall

Verwenden Sie beim Schneiden von Metall immer ein geeignetes Kühlmittel (Schneidöl). Anderenfalls kommt es zu erheblichem Verschleiß des Stichsägeblatts. Die Unterseite des Werkstücks kann eingefettet werden, anstatt ein Kühlmittel zu verwenden.

## Staubabsaugung

### Sonderzubehör

Sie können saubere Schneidarbeiten durchführen, indem Sie dieses Werkzeug an ein Makita-Sauggerät anschließen.

## Montieren und Demontieren des Staubfängers

Montieren Sie den Staubfänger, wie in der Abbildung gezeigt.

► **Abb.18:** 1. Staubfänger

Um den Staubfänger zu entfernen, drücken Sie auf eine Seite des Staubfängers, und nehmen Sie ihn dann ab, wie in der Abbildung gezeigt.

► **Abb.19:** 1. Staubfänger

## Montieren und Demontieren des Absaugstutzens

Führen Sie den Absaugstutzen bis zum Anschlag in das Werkzeug ein.

► **Abb.20:** 1. Absaugstutzen

Um den Absaugstutzen abzunehmen, ziehen Sie ihn heraus, während Sie den Knopf am Absaugstutzen drücken.

► **Abb.21:** 1. Knopf 2. Absaugstutzen

## Anschließen des Werkzeugs an das Sauggerät

Schließen Sie den Schlauch des Sauggeräts an den Absaugstutzen an.

► **Abb.22**

## Parallelanschlag

### Sonderzubehör

**⚠ VORSICHT:** Vergewissern Sie sich vor dem Anbringen oder Abnehmen von Zubehör stets, dass das Werkzeug ausgeschaltet und der Akku abgenommen ist.

## Geradschnitte

Sollen Breiten von 160 mm oder weniger wiederholt geschnitten werden, gewährleistet der Parallelanschlag schnelle, saubere und gerade Schnitte.

► **Abb.23:** 1. Parallelanschlag (Richtlineal)

Setzen Sie den Parallelanschlag zur Montage so in das Vierkantloch an der Seite der Grundplatte ein, dass die Anschlagführung nach unten gerichtet ist. Schieben Sie den Parallelanschlag auf die gewünschte Schnittbreitenposition, und ziehen Sie dann die Schraube zur Sicherung fest.

► **Abb.24:** 1. Inbusschlüssel 2. Schraube  
3. Anschlagführung 4. Parallelanschlag (Richtlineal)

## Kreisschnitte

Um Kreise oder Bögen mit einem Radius von 170 mm oder weniger zu schneiden, installieren Sie den Parallelanschlag wie folgt.

► **Abb.25:** 1. Parallelanschlag (Richtlineal)

1. Setzen Sie den Parallelanschlag so in das Vierkantloch an der Seite der Grundplatte ein, dass die Anschlagführung nach oben gerichtet ist.

2. Führen Sie den Kreisführungsstift in eines der beiden Löcher in der Anschlagführung ein. Schrauben Sie den Gewindeknopf zur Sicherung auf den Stift.

► **Abb.26:** 1. Gewindeknopf 2. Anschlagführung  
3. Parallelanschlag (Richtlineal) 4. Stift

3. Schieben Sie den Parallelanschlag auf den gewünschten Schnittradius, und ziehen Sie die Schraube zur Sicherung fest. Schieben Sie dann die Grundplatte ganz nach vorn.

**HINWEIS:** Verwenden Sie zum Schneiden von Kreisen oder Bögen stets die Stichsägeblätter Nr. B-17, B-18, B-26 oder B-27.

## Splitterschutz

### Sonderzubehör

**⚠ VORSICHT:** Bei der Durchführung von Neigungsschnitten kann der Splitterschutz nicht verwendet werden.

► **Abb.27:** 1. Grundplatte 2. Splitterschutz

Für splitterfreie Schnitte kann der Splitterschutz verwendet werden. Zum Montieren des Splitterschutzes schieben Sie die Grundplatte ganz nach vorn, und führen Sie die Vorrichtung von der Unterseite der Grundplatte ein.

Wenn Sie die Deckplatte verwenden, montieren Sie den Splitterschutz auf die Deckplatte.

## Deckplatte

### Sonderzubehör

► **Abb.28:** 1. Deckplatte 2. Grundplatte

Verwenden Sie die Deckplatte beim Schneiden von dekorativen Furnieren, Kunststoffen usw. Sie schützt empfindliche oder feine Oberflächen vor Beschädigung. Bringen Sie sie auf der Unterseite der Grundplatte an.

## Führungsschienenadaptersatz

### Sonderzubehör

Wenn Sie Parallelschnitte von gleichmäßiger Breite oder Geradschnitte ausführen, gewährleistet die Verwendung der Führungsschiene und des Führungsschienenadapters die Erzeugung von schnellen und sauberen Schnitten. Um den Führungsschienenadapter zu montieren, führen Sie die Richtstange bis zum Anschlag in das Vierkantloch der Grundplatte ein. Ziehen Sie die Schraube mit dem Inbusschlüssel sicher fest.

► **Abb.29:** 1. Inbusschlüssel 2. Richtstange

Führen Sie die Richtstange in das Vierkantloch des Führungsschienenadapters ein, und ziehen Sie die Schraube sicher fest. Setzen Sie den Führungsschienenadapter auf die Führungsschiene.

► **Abb.30:** 1. Führungsschienenadapter  
2. Führungsschiene 3. Schraube

**ANMERKUNG:** Verwenden Sie stets Sägeblätter Nr. B-8, B-13, B-16, B-17 oder 58, wenn Sie die Führungsschiene und den Führungsschienenadapter benutzen.

- Führungsschienenadaptersatz
- Splitterschutz
- Schlauch (für Sauggerät)
- Deckplatte
- Absaugstutzen
- Staubfänger
- Original-Makita-Akku und -Ladegerät

**HINWEIS:** Manche Teile in der Liste können als Standardzubehör im Werkzeugsatz enthalten sein. Sie können von Land zu Land unterschiedlich sein.

## WARTUNG

**⚠ VORSICHT:** Vergewissern Sie sich vor der Durchführung von Inspektions- oder Wartungsarbeiten stets, dass das Werkzeug ausgeschaltet und der Akku abgenommen ist.

**ANMERKUNG:** Verwenden Sie auf keinen Fall Benzin, Waschbenzin, Verdünnern, Alkohol oder dergleichen. Solche Mittel können Verfärbung, Verformung oder Rissbildung verursachen.

Um die SICHERHEIT und ZUVERLÄSSIGKEIT dieses Produkts zu gewährleisten, sollten Reparaturen und andere Wartungs- oder Einstellarbeiten nur von Makita-Vertragswerkstätten oder Makita-Kundendienstzentren unter ausschließlicher Verwendung von Makita-Originalersatzteilen ausgeführt werden.

## SONDERZUBEHÖR

**⚠ VORSICHT:** Die folgenden Zubehörteile oder Vorrichtungen werden für den Einsatz mit dem in dieser Anleitung beschriebenen Makita-Werkzeug empfohlen. Die Verwendung anderer Zubehörteile oder Vorrichtungen kann eine Verletzungsgefahr darstellen. Verwenden Sie Zubehörteile oder Vorrichtungen nur für ihren vorgesehenen Zweck.

Wenn Sie weitere Einzelheiten bezüglich dieser Zubehörteile benötigen, wenden Sie sich bitte an Ihre Makita-Kundendienststelle.

- Sticksägeblätter
- Inbusschlüssel 3
- Parallelschlag-(Richtlineal)-Satz

## DATI TECNICI

Modello:		JV102D
Lunghezza della corsa		23 mm
Corse al minuto		800 - 3.000 min <sup>-1</sup>
Tipo lama		Tipo B
Capacità massime di taglio	Legno	90 mm
	Acciaio dolce	10 mm
	Alluminio	20 mm
Lunghezza complessiva		237 mm
Tensione nominale		10,8 V - 12 V CC max
Peso netto		1,8 - 1,9 kg

- A causa del nostro programma continuativo di ricerca e sviluppo, i dati tecnici sono soggetti a modifiche senza preavviso.
- I dati tecnici possono variare da nazione a nazione.
- Il peso può variare a seconda dell'accessorio o degli accessori, inclusa la cartuccia della batteria. La combinazione più leggera e quella più pesante, secondo la procedura EPTA 01/2014, sono indicate nella tabella.

## Cartuccia della batteria e caricabatterie applicabili

Cartuccia della batteria	BL1015 / BL1016 / BL1020B / BL1021B / BL1040B / BL1041B
Caricabatterie	DC10SA / DC10SB / DC10WC / DC10WD / DC18RE

- Alcune cartucce delle batterie e alcuni caricabatterie elencati sopra potrebbero non essere disponibili a seconda della propria area geografica di residenza.

**⚠AVVERTIMENTO:** Utilizzare solo le cartucce delle batterie e i caricabatterie elencati sopra. L'utilizzo di altre cartucce delle batterie e di altri caricabatterie potrebbe causare lesioni personali e/o un incendio.

## Utilizzo previsto

Questo utensile è progettato per il taglio di legno, plastica e materiali metallici. In conseguenza dell'ampio programma relativo agli accessori e alle lame, è possibile utilizzare l'utensile per numerosi scopi, ed è particolarmente adatto per tagli curvi o circolari.

## Rumore

Livello tipico di rumore pesato A determinato in base allo standard EN62841-2-11:

Livello di pressione sonora ( $L_{pA}$ ): 85 dB (A)

Livello di potenza sonora ( $L_{WA}$ ): 96 dB (A)

Incertezza (K): 3 dB (A)

**NOTA:** Il valore o i valori dichiarati delle emissioni di rumori sono stati misurati in conformità a un metodo standard di verifica, e possono essere utilizzati per confrontare un utensile con un altro.

**NOTA:** Il valore o i valori dichiarati delle emissioni di rumori possono venire utilizzati anche per una valutazione preliminare dell'esposizione.

**⚠AVVERTIMENTO:** Indossare protezioni per le orecchie.

**⚠AVVERTIMENTO:** L'emissione di rumori durante l'utilizzo effettivo dell'utensile elettrico può variare rispetto al valore o ai valori dichiarati, a seconda dei modi in cui viene utilizzato l'utensile e specialmente a seconda di che tipo di pezzo venga lavorato.

**⚠AVVERTIMENTO:** Accertarsi di identificare misure di sicurezza per la protezione dell'operatore che siano basate su una stima dell'esposizione nelle condizioni effettive di utilizzo (tenendo conto di tutte le parti del ciclo operativo, ad esempio del numero di spegnimenti dell'utensile e di quando giri a vuoto, oltre al tempo di attivazione).

## Vibrazioni

Valore totale delle vibrazioni (somma vettoriale triassiale) determinato in base allo standard EN62841-2-11:

Modalità di lavoro: taglio di pannelli

Emissione di vibrazioni ( $a_{h,B}$ ): 11,5 m/s<sup>2</sup>

Incertezza (K): 1,5 m/s<sup>2</sup>

Modalità di lavoro: taglio di lamiera sottile

Emissione di vibrazioni ( $a_{h,M}$ ): 9,5 m/s<sup>2</sup>

Incertezza (K): 1,5 m/s<sup>2</sup>

**NOTA:** Il valore o i valori complessivi delle vibrazioni dichiarati sono stati misurati in conformità a un metodo standard di verifica, e possono essere utilizzati per confrontare un utensile con un altro.

**NOTA:** Il valore o i valori complessivi delle vibrazioni dichiarati possono venire utilizzati anche per una valutazione preliminare dell'esposizione.

**⚠AVVERTIMENTO:** L'emissione delle vibrazioni durante l'utilizzo effettivo dell'utensile elettrico può variare rispetto al valore o ai valori dichiarati, a seconda dei modi in cui viene utilizzato l'utensile, specialmente a seconda di che tipo di pezzo venga lavorato.

**⚠AVVERTIMENTO:** Accertarsi di identificare misure di sicurezza per la protezione dell'operatore che siano basate su una stima dell'esposizione nelle condizioni effettive di utilizzo (tenendo conto di tutte le parti del ciclo operativo, ad esempio del numero di spegnimenti dell'utensile e di quando giri a vuoto, oltre al tempo di attivazione).

## Dichiarazione di conformità CE

*Solo per i paesi europei*

La dichiarazione di conformità CE è inclusa nell'Allegato A al presente manuale di istruzioni.

## AVVERTENZE DI SICUREZZA

### Avvertenze generali relative alla sicurezza dell'utensile elettrico

**⚠AVVERTIMENTO:** Leggere tutte le avvertenze di sicurezza, le istruzioni, le illustrazioni e i dati tecnici forniti con il presente utensile elettrico. La mancata osservanza di tutte le istruzioni elencate di seguito potrebbe risultare in scosse elettriche, incendi e/o gravi lesioni personali.

### Conservare tutte le avvertenze e le istruzioni come riferimento futuro.

Il termine "utensile elettrico" nelle avvertenze si riferisce sia all'utensile elettrico (cablato) nel funzionamento alimentato da rete elettrica che all'utensile elettrico (a batteria) nel funzionamento alimentato a batteria.

### Avvertenze relative alla sicurezza del seghetto alternativo a batteria

1. Tenere l'utensile elettrico per le superfici di impugnatura isolate, quando si esegue un'operazione in cui l'accessorio da taglio potrebbe entrare in contatto con fili elettrici nascosti. Un accessorio da taglio che entri in contatto con un filo elettrico sotto tensione potrebbe mettere sotto tensione le parti metalliche esposte dell'utensile elettrico e causare una scossa elettrica all'operatore.

2. Utilizzare una morsa o un altro sistema pratico per fissare e supportare il pezzo in lavorazione su un piano stabile. Il pezzo mantenuto con la mano o contro il corpo resta instabile, e potrebbe causare una perdita di controllo.
3. Utilizzare sempre occhiali oppure occhialoni di protezione. I comuni occhiali da vista o da sole NON sono occhiali di protezione.
4. Evitare di tagliare chiodi. Ispezionare il pezzo in lavorazione e, in presenza di eventuali chiodi, rimuoverli prima di procedere.
5. Non tagliare pezzi eccessivamente grandi.
6. Verificare che sia presente uno spazio sufficiente al di là del pezzo in lavorazione, prima di tagliarlo, in modo che la lama non colpisca il pavimento, il banco da lavoro, e così via.
7. Mantenere saldamente l'utensile.
8. Accertarsi che la lama non sia in contatto con il pezzo in lavorazione, prima di attivare l'interruttore.
9. Tenere le mani lontane dalle parti mobili.
10. Non lasciare l'utensile mentre è in funzione. Far funzionare l'utensile solo mentre viene tenuto in mano.
11. Spegnerne sempre l'utensile e attendere che la lama si sia arrestata completamente, prima di rimuoverla dal pezzo in lavorazione.
12. Non toccare la lama o il pezzo in lavorazione subito dopo l'operazione; la loro temperatura potrebbe essere estremamente elevata e potrebbero causare ustioni.
13. Non far funzionare inutilmente l'utensile a vuoto.
14. Alcuni materiali contengono sostanze chimiche che potrebbero essere tossiche. Fare attenzione a evitare l'inalazione delle polveri e il loro contatto con la pelle. Attenersi ai dati sulla sicurezza del fornitore dei materiali.
15. Usare sempre la mascherina antipolvere o il respiratore adatti al materiale e all'applicazione con cui si intende lavorare.

## CONSERVARE LE PRESENTI ISTRUZIONI.

**⚠AVVERTIMENTO:** NON lasciare che comodità o la familiarità d'utilizzo con il prodotto (acquisita con l'uso ripetuto) sostituisca la stretta osservanza delle norme di sicurezza per il prodotto in questione. L'USO IMPROPRIO o la mancata osservanza delle norme di sicurezza indicate nel presente manuale di istruzioni potrebbero causare gravi lesioni personali.

### Istruzioni di sicurezza importanti per la cartuccia della batteria

1. Prima di utilizzare la cartuccia della batteria, leggere tutte le istruzioni e le avvertenze riportate (1) sul caricabatteria, (2) sulla batteria e (3) sul prodotto che utilizza la batteria.
2. Non smontare la cartuccia della batteria.
3. Qualora il tempo di utilizzo si riduca eccessivamente, interrompere immediatamente l'utilizzo dell'utensile. In caso contrario, si può incorrere nel rischio di surriscaldamento, possibili ustioni e persino un'esplosione.

4. Qualora l'elettrolita entri in contatto con gli occhi, sciacquarli con acqua pulita e richiedere immediatamente assistenza medica. Questa eventualità può risultare nella perdita della vista.
5. Non cortocircuitare la cartuccia della batteria:
  - (1) Non toccare i terminali con alcun materiale conduttivo.
  - (2) Evitare di conservare la cartuccia della batteria in un contenitore insieme ad altri oggetti metallici quali chiodi, monete, e così via.
  - (3) Non esporre la cartuccia della batteria all'acqua o alla pioggia.

Un cortocircuito della batteria può causare un grande flusso di corrente, un surriscaldamento, possibili ustioni e persino un guasto.

6. Non conservare l'utensile e la cartuccia della batteria in ubicazioni in cui la temperatura possa raggiungere o superare i 50°C.
7. Non incenerire la cartuccia della batteria anche qualora sia gravemente danneggiata o completamente esaurita. La cartuccia della batteria può esplodere se a contatto con il fuoco.
8. Fare attenzione a non far cadere e a non colpire la batteria.
9. Non utilizzare una batteria danneggiata.
10. Le batterie a ioni di litio contenute sono soggette ai requisiti del regolamento sul trasporto di merci pericolose (Dangerous Goods Legislation).  
Per trasporti commerciali, ad esempio da parte di terzi o spedizionieri, è necessario osservare dei requisiti speciali sull'imballaggio e sull'etichetta. Per la preparazione dell'articolo da spedire, è richiesta la consulenza di un esperto in materiali pericolosi. Attenersi anche alle normative nazionali, che potrebbero essere più dettagliate. Nastrare o coprire i contatti aperti e imballare la batteria in modo tale che non si possa muovere liberamente all'interno dell'imballaggio.

11. **Attenersi alle normative locali relative allo smaltimento della batteria.**
12. **Utilizzare le batterie esclusivamente con i prodotti specificati da Makita.** L'installazione delle batterie in prodotti non compatibili potrebbe risultare in incendi, calore eccessivo, esplosioni o perdite di liquido elettrolitico.

## CONSERVARE LE PRESENTI ISTRUZIONI.

**ATTENZIONE:** Utilizzare solo batterie originali Makita. L'utilizzo di batterie Makita non originali, o di batterie che siano state alterate, potrebbe risultare nello scoppio della batteria, causando incendi, lesioni personali e danni. Inoltre, ciò potrebbe invalidare la garanzia Makita per l'utensile e il caricabatterie Makita.

## Suggerimenti per preservare la durata massima della batteria

1. Caricare la cartuccia della batteria prima che si scarichi completamente. Smettere sempre di utilizzare l'utensile e caricare la cartuccia della batteria quando si nota che la potenza dell'utensile è diminuita.
2. Non ricaricare mai una cartuccia della batteria completamente carica. La sovraccarica riduce la vita utile della batteria.
3. Caricare la cartuccia della batteria a una temperatura ambiente compresa tra 10°C e 40°C. Lasciar raffreddare una cartuccia della batteria prima di caricarla.

## DESCRIZIONE DELLE FUNZIONI

**ATTENZIONE:** Accertarsi sempre che l'utensile sia spento e che la cartuccia della batteria sia stata rimossa prima di regolare o di controllare il funzionamento dell'utensile.

## Installazione o rimozione della cartuccia della batteria

**ATTENZIONE:** Spegnerne sempre l'utensile prima di installare o rimuovere la cartuccia della batteria.

**ATTENZIONE:** Mantenere saldamente lo strumento e la batteria quando si intende installare o rimuovere la cartuccia della batteria. Qualora non si mantengano saldamente lo strumento e la cartuccia della batteria, questi ultimi potrebbero scivolare dalle mani, con la possibilità di causare un danneggiamento dello strumento e della cartuccia della batteria, nonché una lesione personale.

► Fig. 1: 1. Indicatore rosso 2. Pulsante 3. Cartuccia della batteria

Per rimuovere la cartuccia della batteria, farla scorrere via dall'utensile mentre si fa scorrere allo stesso tempo il pulsante sulla parte anteriore della cartuccia.

Per installare la cartuccia della batteria, allineare l'appendice della batteria con la scanalatura nell'alloggiamento e farla scivolare in sede. Inserirla completamente fino al suo blocco in sede con un leggero scatto. Se è possibile vedere l'indicatore rosso sul lato superiore del pulsante, la batteria non è bloccata completamente.

**ATTENZIONE:** Installare sempre fino in fondo la cartuccia della batteria, fino a quando l'indicatore rosso non è più visibile. In caso contrario, la batteria potrebbe cadere accidentalmente dall'utensile, causando lesioni personali all'operatore o a chi gli è vicino.

**ATTENZIONE:** Non installare forzatamente la cartuccia della batteria. Qualora la batteria non si inserisca scorrendo agevolmente, vuol dire che non viene inserita correttamente.



## Sistema di protezione strumento/batteria

L'utensile è dotato di un sistema di protezione dell'utensile stesso e della batteria. Tale sistema interrompe automaticamente l'alimentazione al motore per prolungare la vita utile dell'utensile e della batteria. L'utensile si arresta automaticamente durante il funzionamento, qualora l'utensile o la batteria vengano a trovarsi in una delle condizioni seguenti:

### Protezione dal sovraccarico

Quando la batteria viene utilizzata in modo tale da causare un assorbimento di corrente elevato in modo anomalo, l'utensile si arresta automaticamente senza alcuna indicazione. In questa situazione, spegnere l'utensile e interrompere l'applicazione che ha fatto sovraccaricare l'utensile. Quindi, accendere l'utensile per ricominciare.

### Protezione dal surriscaldamento

Quando l'utensile o la batteria sono surriscaldati, l'utensile si arresta automaticamente e la lampada lampeggia. In tal caso, lasciar raffreddare l'utensile e la batteria prima di riaccendere l'utensile.

### Protezione dalla sovrascarica

Quando la capacità della batteria non è sufficiente, l'utensile si arresta automaticamente. Se si accende l'utensile, il motore gira di nuovo, ma si arresta poco dopo. In questo caso, rimuovere la batteria dall'utensile e caricarla.

## Indicazione della carica residua della batteria

**Solo per cartucce delle batterie dotate di indicatore**

► **Fig.2:** 1. Indicatori luminosi 2. Pulsante di controllo

Premere il pulsante di controllo sulla cartuccia della batteria per indicare la carica residua della batteria. Gli indicatori luminosi si illuminano per alcuni secondi.

Indicatori luminosi		Carica residua
■ Illuminato	□ Spento	
■ ■ ■ ■	□	Dal 75% al 100%
■ ■ ■ □	□	Dal 50% al 75%
■ ■ □ □	□	Dal 25% al 50%
■ □ □ □	□	Dallo 0% al 25%

**NOTA:** A seconda delle condizioni d'uso e della temperatura ambiente, l'indicazione potrebbe variare leggermente rispetto alla carica effettiva.

## Selezione della modalità di taglio

► **Fig.3:** 1. Leva di modifica della modalità di taglio

È possibile far funzionare questo utensile con una modalità di taglio orbitale o in linea retta (in su e in giù). La modalità di taglio orbitale spinge la lama per seghetto alternativo in avanti nella corsa di taglio e incrementa notevolmente la velocità del taglio.

Per modificare la modalità di taglio, è sufficiente ruotare la leva di modifica della modalità di taglio sulla posizione della modalità di taglio desiderata. Per selezionare la modalità di taglio appropriata, fare riferimento alla tabella.

Posizione	Modalità di taglio	Applicazioni
0	Modalità di taglio in linea retta	Per tagliare acciaio dolce, acciaio inossidabile e materiali plastici. Per tagli puliti di legno e compensato.
I	Modalità di taglio a orbita piccola	Per tagliare acciaio dolce, alluminio e legno duro.
II	Modalità di taglio a orbita media	Per tagliare legno e compensato. Per tagliare velocemente alluminio e acciaio dolce.
III	Modalità di taglio a orbita grande	Per tagliare velocemente legno e compensato.

## Funzionamento dell'interruttore

Per accendere l'utensile, premere il pulsante di blocco/sblocco. L'utensile si accende in modalità standby. Per avviare l'utensile, premere il pulsante di avvio/arresto in modalità standby. Per arrestare l'utensile, premere di nuovo il pulsante di avvio/arresto. L'utensile si accende in modalità standby. Per spegnere l'utensile, premere il pulsante di blocco/sblocco in modalità standby.

► **Fig.4:** 1. Pulsante di blocco/sblocco 2. Pulsante di avvio/arresto

**NOTA:** Qualora l'utensile venga lasciato per 10 secondi senza effettuare alcuna operazione in modalità standby, l'utensile si spegne automaticamente e la lampadina si spegne.

**NOTA:** È anche possibile arrestare e spegnere l'utensile premendo il pulsante di blocco/sblocco mentre l'utensile è in funzione.

## Accensione della lampadina anteriore

**ATTENZIONE:** Non osservare né guardare direttamente la fonte di luce.

Per accendere la lampadina, premere il pulsante di blocco/sblocco. Per spegnere la lampadina, premere di nuovo il pulsante di blocco/sblocco.

**AVVISO:** Quando l'utensile è surriscaldato, la lampadina sfarfalla. Far raffreddare completamente l'utensile prima di riutilizzarlo.

**NOTA:** Per pulire la sporcizia dalla lente della lampadina, utilizzare un panno asciutto. Fare attenzione a non graffiare la lente della lampadina, altrimenti si potrebbe ridurre l'illuminazione.

## Selettore di regolazione della velocità

► **Fig.5:** 1. Selettore di regolazione della velocità

È possibile regolare la velocità dell'utensile ruotando il selettore di regolazione della velocità. È possibile ottenere la velocità massima all'impostazione 5 e la velocità minima all'impostazione 1.

Per selezionare la velocità appropriata per il pezzo in lavorazione da tagliare, fare riferimento alla tabella. Tuttavia, la velocità appropriata potrebbe variare in base al tipo o allo spessore del pezzo in lavorazione. In generale, velocità più elevate consentono di tagliare più rapidamente i pezzi in lavorazione, ma la vita utile della lama si riduce.

Pezzo in lavorazione	Numero
Legno	4 - 5
Acciaio dolce	3 - 5
Acciaio inox	3 - 4
Alluminio	3 - 5
Plastiche	1 - 4

**AVVISO:** Quando si intende cambiare l'impostazione del selettore di velocità da "5" a "1", ruotare il selettore in senso antiorario. Non ruotare forzatamente il selettore in senso orario.

## Funzione elettronica

L'utensile è dotato di funzioni elettroniche per facilitare l'uso.

- **Avvio morbido**  
La funzione di avvio morbido riduce al minimo l'impatto all'avvio, e fa avviare delicatamente l'utensile.
- **Rotazione morbida a vuoto**  
Per ridurre le vibrazioni e allineare facilmente la lama per seghetto alternativo con la linea di taglio, l'utensile riduce automaticamente la velocità di rotazione fino a quando inizia a tagliare il pezzo in lavorazione, quando il selettore di regolazione della velocità è impostato su 2 o un valore superiore. Una volta che l'utensile inizia a tagliare il pezzo in lavorazione, la velocità dell'utensile raggiunge quella preimpostata e viene mantenuta fino all'arresto dell'utensile.

**NOTA:** Quando la temperatura è bassa, questa funzione potrebbe non essere disponibile.

## Disattivazione della funzione di rotazione morbida a vuoto

Per disattivare la funzione di rotazione morbida a vuoto, attenersi alla procedura seguente.

1. Accertarsi che l'utensile sia spento.
2. Impostare il selettore di regolazione della velocità su "1".
3. Premere il pulsante di blocco/sblocco per accendere l'utensile.

4. Impostare il selettore di regolazione della velocità su "5" ruotandolo, quindi impostarlo su "1" ruotandolo in senso inverso.

La lampada lampeggia due volte per indicare che la funzione di rotazione morbida a vuoto è disattivata. Per riattivare questa funzione, effettuare di nuovo la stessa procedura.

**NOTA:** Se la funzione di rotazione morbida a vuoto è disattivata, la lampada lampeggia due volte, quando si accende l'utensile.

**NOTA:** È anche possibile disattivare o attivare la funzione di rotazione morbida a vuoto modificando l'impostazione del selettore di regolazione della velocità da "5" a "1" e da "1" a "5".

## MONTAGGIO

**ATTENZIONE:** Accertarsi sempre che l'utensile sia spento e che la cartuccia della batteria sia stata rimossa, prima di effettuare qualsiasi intervento sull'utensile.

## Installazione o rimozione della lama per seghetto alternativo

**ATTENZIONE:** Rimuovere sempre tutti i trucioli o il materiale estraneo che restino attaccati alla lama per seghetto alternativo e/o al portalama. In caso contrario, si potrebbe causare un serraggio insufficiente della lama, e di conseguenza gravi lesioni personali.

**ATTENZIONE:** Non toccare la lama per seghetto alternativo o il pezzo in lavorazione subito dopo l'operazione. La loro temperatura potrebbe essere estremamente elevata e potrebbero causare ustioni.

**ATTENZIONE:** Fissare sempre saldamente la lama per seghetto alternativo. Un serraggio insufficiente della lama potrebbe causarne la rottura o provocare gravi lesioni personali.

**ATTENZIONE:** Utilizzare esclusivamente lame per seghetto alternativo di tipo B. L'utilizzo di lame diverse dal tipo B causa un serraggio insufficiente della lama, e di conseguenza gravi lesioni personali.

**ATTENZIONE:** Quando si rimuove la lama per seghetto alternativo, fare attenzione a non farsi male alle dita con la parte superiore della lama o le punte del pezzo in lavorazione.

Prima di installare la lama per seghetto alternativo, accertarsi che la leva del morsetto della lama si trovi nella posizione sbloccata.

Per installare la lama per seghetto alternativo, inserire la lama (con i denti rivolti in avanti) nel portalama. La leva si sposta sulla posizione di fissaggio e la lama viene bloccata. Accertarsi che il bordo posteriore della lama entri nel rullo. Tirare leggermente la lama per accertarsi che non cada fuori durante l'uso.

► **Fig.6:** 1. Portalama del seghetto alternativo  
2. Posizione sbloccata 3. Posizione di fissaggio

► **Fig.7:** 1. Portalama del seghetto alternativo  
2. Lama per seghetto alternativo

**⚠ATTENZIONE:** Qualora la leva non si sposti sulla posizione di fissaggio, questo indica che la lama non è installata completamente. Non premere la leva manualmente sulla posizione di fissaggio. In caso contrario, si potrebbe danneggiare l'utensile.

Per rimuovere la lama per seghetto alternativo, spingere la leva in avanti fino a fine corsa. Questa operazione consente lo sbocco della lama.

► **Fig.8:** 1. Portalama del seghetto alternativo  
2. Lama per seghetto alternativo

**NOTA:** Di tanto in tanto, lubrificare il rullo.

## Conservazione della chiave esagonale

► **Fig.9:** 1. Gancio 2. Chiave esagonale

Quando non si utilizza la chiave esagonale, conservarla come indicato nella figura per evitare di perderla. Innanzitutto, inserire la chiave esagonale nel foro. Quindi, spingerla nel gancio fino a quando si blocca.

## FUNZIONAMENTO

**⚠ATTENZIONE:** **Mantenere sempre la base a filo con il pezzo in lavorazione.** In caso contrario, si potrebbe causare la rottura della lama per seghetto alternativo, causando gravi lesioni personali.

**⚠ATTENZIONE:** **Far avanzare l'utensile molto lentamente durante il taglio di curve o volute.** La forzatura dell'utensile potrebbe causare una superficie di taglio storta e la rottura della lama per seghetto alternativo.

► **Fig.10:** 1. Linea di taglio 2. Base

Accendere l'utensile senza far entrare in contatto la lama per seghetto alternativo con il pezzo in lavorazione, e attendere che la lama abbia raggiunto la piena velocità. Quindi, appoggiare la base di piatto sul pezzo in lavorazione e spostare delicatamente l'utensile in avanti lungo la linea di taglio segnata in precedenza.

## Taglio a unghia (inclinato)

**⚠ATTENZIONE:** **Accertarsi sempre che l'utensile sia spento e che la cartuccia della batteria sia stata rimossa, prima di inclinare la base.**

Con la base inclinata, è possibile effettuare tagli a unghia a qualsiasi angolazione compresa tra 0° e 45° (a sinistra o a destra).

► **Fig.11**

Allentare il bullone sul retro della base con la chiave esagonale. Spostare la base in modo che il bullone sia posizionato al centro dell'apertura a forma di croce sulla base.

► **Fig.12:** 1. Chiave esagonale 2. Bullone 3. Base

Inclinare la base fino a ottenere l'angolo di taglio a unghia desiderato. Il bordo dell'alloggiamento del motore indica l'angolo di taglio a unghia mediante dei segni graduati. Quindi, serrare il bullone per fissare la base.

► **Fig.13:** 1. Bordo 2. Segno graduato

## Tagli frontali a filo

► **Fig.14:** 1. Chiave esagonale 2. Bullone 3. Base

Allentare il bullone sul retro della base con la chiave esagonale, quindi far scivolare la base completamente all'indietro. Quindi, serrare il bullone per fissare la base.

## Fori sagomati

È possibile praticare fori sagomati con due metodi, "Perforazione di un foro iniziale" o "Taglio a tuffo".

## Perforazione di un foro iniziale

► **Fig.15**

Per fori sagomati interni senza un taglio di ingresso dal bordo, praticare prima un foro di inizio di 12 mm o più di diametro. Per iniziare a tagliare, inserire la lama per seghetto alternativo in tale foro.

## Taglio a tuffo

► **Fig.16**

Non è necessario praticare un foro di inizio o effettuare un taglio di ingresso se si procede con cura nel modo seguente.

1. Inclinare l'utensile verso l'alto sul bordo anteriore della base, con la punta della lama per seghetto alternativo posizionata immediatamente al di sopra della superficie del pezzo in lavorazione.
2. Esercitare una pressione sull'utensile in modo che il bordo anteriore della base non si sposti quando si accende l'utensile, quindi abbassare delicatamente e lentamente l'estremità posteriore dell'utensile.
3. Man mano che la lama per seghetto alternativo perfora il pezzo in lavorazione, abbassare lentamente la base dell'utensile sulla superficie del pezzo in lavorazione.
4. Completare il taglio nel modo normale.

## Finitura dei bordi

► **Fig.17**

Per rifinire i bordi o effettuare regolazioni alle dimensioni, passare leggermente la lama per seghetto alternativo lungo i bordi di taglio.

## Taglio dei metalli

Quando si intende tagliare metalli, utilizzare sempre un refrigerante adatto (olio da taglio). La mancata osservanza di questa avvertenza causa una notevole usura della lama per seghetto alternativo. È possibile ingrassare la parte inferiore del pezzo in lavorazione, anziché utilizzare un refrigerante.

## Estrazione delle polveri

### Accessorio opzionale

È possibile effettuare operazioni di taglio pulite collegando questo utensile a un aspirapolvere Makita.

## Installazione o rimozione della protezione antipolvere

Installare la protezione antipolvere come indicato nella figura.

► **Fig.18:** 1. Protezione antipolvere

Per rimuovere la protezione antipolvere, premere un lato della protezione, quindi rimuoverla come indicato nella figura.

► **Fig.19:** 1. Protezione antipolvere

## Installazione o rimozione della bocchetta polveri

Inserire la bocchetta polveri fino in fondo nell'utensile.

► **Fig.20:** 1. Bocchetta polveri

Per rimuovere la bocchetta polveri, tirarla fuori mentre si tiene premuto il pulsante presente sulla bocchetta polveri.

► **Fig.21:** 1. Pulsante 2. Bocchetta polveri

## Collegamento dell'utensile all'aspirapolvere

Collegare il tubo flessibile dell'aspirapolvere alla bocchetta polveri.

► **Fig.22**

## Guida di taglio

### Accessorio opzionale

**⚠ATTENZIONE:** Accertarsi sempre che l'utensile sia spento e che la cartuccia della batteria sia stata rimossa, prima di installare o rimuovere gli accessori.

## Tagli dritti

Quando si intende effettuare dei tagli ripetuti di larghezza pari a 160 mm o inferiore, utilizzare la guida di taglio per assicurare dei tagli rapidi, puliti e dritti.

► **Fig.23:** 1. Guida di taglio (righello guida)

Per installare la guida di taglio, inserirla nel foro rettangolare sul lato della base con la guida parallela rivolta verso il basso. Far scivolare la guida di taglio sulla posizione della larghezza di taglio desiderata, quindi serrare il bullone per fissarla.

► **Fig.24:** 1. Chiave esagonale 2. Bullone 3. Guida parallela 4. Guida di taglio (righello guida)

## Tagli circolari

Quando si intende effettuare tagli circolari o ad arco con raggio pari o inferiore a 170 mm, installare la guida di taglio nel modo seguente.

► **Fig.25:** 1. Guida di taglio (righello guida)

1. Inserire la guida di taglio nel foro rettangolare sul lato della base con la guida parallela rivolta verso l'alto.

2. Inserire il perno della guida circolare attraverso uno dei due fori sulla guida parallela. Avvitare il pomello filettato sul perno per fissare quest'ultimo.

► **Fig.26:** 1. Pomello filettato 2. Guida parallela 3. Guida di taglio (righello guida) 4. Perno

3. Far scivolare la guida di taglio sul raggio di taglio desiderato, quindi serrare il bullone per fissarla in sede. Quindi, spostare la base completamente in avanti.

**NOTA:** Utilizzare sempre lame per seghetto alternativo N. B-17, B-18, B-26 o B-27 quando si intende effettuare tagli circolari o ad arco.

## Dispositivo antischeggiatura

### Accessorio opzionale

**⚠ATTENZIONE:** Non è possibile utilizzare il dispositivo antischeggiatura quando si intende effettuare tagli a unghia.

► **Fig.27:** 1. Base 2. Dispositivo antischeggiatura

Per effettuare tagli senza produrre schegge, è possibile utilizzare il dispositivo antischeggiatura. Per installare il dispositivo antischeggiatura, spostare la base dell'utensile completamente in avanti e inserirlo dal retro della base dell'utensile. Quando si utilizza la piastra di protezione, installare il dispositivo antischeggiatura sulla piastra di protezione.

## Piastra di protezione

### Accessorio opzionale

► **Fig.28:** 1. Piastra di protezione 2. Base

Utilizzare la piastra di protezione quando si intende tagliare tranciati decorativi, materiali plastici, e così via. La piastra protegge le superfici sensibili o delicate dal danneggiamento. Inserirla dal retro della base dell'utensile.

## Kit adattatore per binario guida

### Accessorio opzionale

Quando si intende effettuare tagli in parallelo e di larghezza uniforme o tagli dritti, l'utilizzo del binario guida e dell'adattatore per binario guida assicura la produzione di tagli rapidi e puliti. Per installare l'adattatore per binario guida, inserire fino in fondo la barra a righello nel foro quadrato presente sulla base. Fissare il bullone saldamente con la chiave esagonale.

► **Fig.29:** 1. Chiave esagonale 2. Barra a righello

Inserire la barra a righello nel foro quadrato dell'adattatore per binario guida e fissare saldamente la vite. Posizionare l'adattatore per binario guida sul binario guida.

► **Fig.30:** 1. Adattatore per binario guida 2. Binario guida 3. Vite

**AVVISO:** Utilizzare sempre lame N. B-8, B-13, B-16, B-17 o 58, quando si intende utilizzare il binario guida e l'adattatore per binario guida.

# MANUTENZIONE

**⚠ATTENZIONE:** Accertarsi sempre che l'utensile sia spento e che la cartuccia della batteria sia stata rimossa prima di tentare di eseguire interventi di ispezione o manutenzione.

**AVVISO:** Non utilizzare mai benzina, benzene, solventi, alcol o altre sostanze simili. In caso contrario, si potrebbero causare scolorimenti, deformazioni o crepe.

Per preservare la SICUREZZA e l'AFFIDABILITÀ del prodotto, le riparazioni e qualsiasi altro intervento di manutenzione e di regolazione devono essere eseguiti da un centro di assistenza autorizzato Makita, utilizzando sempre ricambi Makita.

# ACCESSORI OPZIONALI

**⚠ATTENZIONE:** Questi accessori o componenti aggiuntivi sono consigliati per l'uso con l'utensile Makita specificato nel presente manuale. L'impiego di altri accessori o componenti aggiuntivi può costituire un rischio di lesioni alle persone. Utilizzare gli accessori o i componenti aggiuntivi solo per il loro scopo prefissato.

Per ottenere ulteriori dettagli relativamente a questi accessori, rivolgersi a un centro di assistenza Makita.

- Lame per seghetto alternativo
- Chiave esagonale 3
- Kit della guida di taglio (righello guida)
- Kit adattatore per binario guida
- Dispositivo antischeggiatura
- Tubo flessibile (per l'aspirapolvere)
- Piastra di protezione
- Bocchetta polveri
- Protezione antipolvere
- Batteria e caricabatterie originali Makita

**NOTA:** Alcuni articoli nell'elenco potrebbero essere inclusi nell'imballaggio dell'utensile come accessori standard. Tali articoli potrebbero variare da nazione a nazione.

## TECHNISCHE GEGEVENS

Model:		JV102D
Slaglengte		23 mm
Slagen per minuut		800 - 3.000 min <sup>-1</sup>
Type zaagblad		Type B
Max. zaagcapaciteiten	Hout	90 mm
	Zacht staal	10 mm
	Aluminium	20 mm
Totale lengte		237 mm
Nominale spanning		Max. 10,8 V - 12 V gelijkspanning
Nettogewicht		1,8 - 1,9 kg

- In verband met ononderbroken research en ontwikkeling, behouden wij ons het recht voor de bovenstaande technische gegevens zonder voorafgaande kennisgeving te wijzigen.
- De technische gegevens kunnen van land tot land verschillen.
- Het gewicht kan verschillen afhankelijk van de hulpstukken, waaronder de accu. De lichtste en zwaarste combinatie, overeenkomstig de EPTA-procedure 01/2014, worden getoond in de tabel.

### Toepasselijke accu's en laders

Accu	BL1015 / BL1016 / BL1020B / BL1021B / BL1040B / BL1041B
Lader	DC10SA / DC10SB / DC10WC / DC10WD / DC18RE

- Sommige van de hierboven vermelde accu's en laders zijn mogelijk niet leverbaar afhankelijk van waar u woont.

**⚠️ WAARSCHUWING:** Gebruik uitsluitend de accu's en laders die hierboven worden genoemd. Gebruik van enige andere accu of lader kan leiden tot letsel en/of brand.

### Bedoeld gebruik

Dit gereedschap is bedoeld voor het zagen van hout, kunststof en metaal. Door het uitgebreide assortiment accessoires en zaagbladen, kan het gereedschap worden gebruikt voor vele doeleinden en is het zeer geschikt voor gebogen of cirkelvormige zaagsneden.

### Geluidsniveau

De typische, A-gewogen geluidsniveaus zijn gemeten volgens EN62841-2-11:

Geluidsdruk niveau ( $L_{pA}$ ): 85 dB (A)

Geluidsvermogen niveau ( $L_{WA}$ ): 96 dB (A)

Onzekerheid (K): 3 dB (A)

**OPMERKING:** De opgegeven geluidsemisiewaarde(n) is/zijn gemeten volgens een standaardtestmethode en kan/kunnen worden gebruikt om dit gereedschap te vergelijken met andere gereedschappen.

**OPMERKING:** De opgegeven geluidsemisiewaarde(n) kan/kunnen ook worden gebruikt voor een beoordeling vooraf van de blootstelling.

**⚠️ WAARSCHUWING:** Draag gehoorbescherming.

**⚠️ WAARSCHUWING:** De geluidsemisatie tijdens het gebruik van het elektrisch gereedschap in de praktijk kan verschillen van de opgegeven waarde(n) afhankelijk van de manier waarop het gereedschap wordt gebruikt, met name van het soort werkstuk waarmee wordt gewerkt.

**⚠️ WAARSCHUWING:** Zorg ervoor dat veiligheidsmaatregelen worden getroffen ter bescherming van de gebruiker die zijn gebaseerd op een schatting van de blootstelling onder praktijkomstandigheden (rekening houdend met alle fasen van de bedrijfscyclus, zoals de tijdsduur gedurende welke het gereedschap is uitgeschakeld en stationair draait, naast de ingeschakelde tijdsduur).

### Trilling

De totale trillingswaarde (triaxiale vectorsom) zoals vastgesteld volgens EN62841-2-11:

Gebruikstoepassing: zagen van platen

Trillingsemisatie ( $a_{h,B}$ ): 11,5 m/s<sup>2</sup>

Onzekerheid (K): 1,5 m/s<sup>2</sup>

Gebruikstoepassing: zagen van plaatstaal

Trillingsemisatie ( $a_{h,M}$ ): 9,5 m/s<sup>2</sup>

Onzekerheid (K): 1,5 m/s<sup>2</sup>

**OPMERKING:** De totale trillingswaarde(n) is/zijn gemeten volgens een standaardtestmethode en kan/kunnen worden gebruikt om dit gereedschap te vergelijken met andere gereedschappen.

**OPMERKING:** De opgegeven totale trillingswaarde(n) kan/kunnen ook worden gebruikt voor een beoordeling vooraf van de blootstelling.

**⚠️ WAARSCHUWING:** De trillingsemissie tijdens het gebruik van het elektrisch gereedschap in de praktijk kan verschillen van de opgegeven waarde(n) afhankelijk van de manier waarop het gereedschap wordt gebruikt, met name van het soort werkstuk waarmee wordt gewerkt.

**⚠️ WAARSCHUWING:** Zorg ervoor dat veiligheidsmaatregelen worden getroffen ter bescherming van de gebruiker die zijn gebaseerd op een schatting van de blootstelling onder praktijkomstandigheden (rekening houdend met alle fasen van de bedrijfscyclus, zoals de tijdsduur gedurende welke het gereedschap is uitgeschakeld en stationair draait, naast de ingeschakelde tijdsduur).

## EG-verklaring van conformiteit

### *Alleen voor Europese landen*

De EG-verklaring van conformiteit is bijgevoegd als Bijlage A bij deze gebruiksaanwijzing.

## VEILIGHEIDSWAARSCHUWINGEN

### Algemene veiligheidswaarschuwingen voor elektrisch gereedschap

**⚠️ WAARSCHUWING:** Lees alle veiligheidswaarschuwingen, aanwijzingen, afbeeldingen en technische gegevens behorend bij dit elektrische gereedschap aandachtig door. Als u niet alle onderstaande aanwijzingen naleeft, kan dat resulteren in brand, elektrische schokken en/of ernstig letsel.

### Bewaar alle waarschuwingen en instructies om in de toekomst te kunnen raadplegen.

De term "elektrisch gereedschap" in de veiligheidsvoorschriften duidt op gereedschappen die op stroom van het lichtnet werken (met snoer) of gereedschappen met een accu (snoerloos).

## Veiligheidswaarschuwingen voor een accudecoupeerzaag

1. **Houd het elektrisch gereedschap vast aan het geïsoleerde oppervlak van de handgrepen wanneer u werkt op plaatsen waar het accessoire met verborgen bedrading in aanraking kan komen.** Wanneer het accessoire in aanraking komt met onder spanning staande draden, zullen de niet-geïsoleerde metalen delen van het gereedschap onder spanning komen te staan zodat de gebruiker een elektrische schok kan krijgen.
2. **Gebruik klemmen of andere bevestigingsmiddelen om het werkstuk op een stabiel platform te bevestigen en te ondersteunen.** Het werkstuk is onstabiel en er is gevaar voor controleverlies wanneer u het werkstuk met de hand vasthoudt of het tegen uw lichaam houdt.
3. **Draag altijd een veiligheidsbril of een beschermbril. Een gewone bril of een zonnebril is GEEN veiligheidsbril.**
4. **Vermijd het zagen op spijkers.** Inspecteer het werkstuk op eventuele spijkers en verwijder ze voordat u begint.
5. **Zaag geen werkstukken die te groot zijn.**
6. **Controleer vooraf of er voldoende ruimte voorbij het werkstuk is, zodat het zaagblad niet tegen de vloer, een werkbank e.d. zal stoten.**
7. **Houd het gereedschap stevig vast.**
8. **Zorg dat het zaagblad het werkstuk niet raakt voordat u de trekschakelaar indrukt.**
9. **Houd uw handen uit de buurt van bewegende delen.**
10. **Laat het gereedschap niet onnodig ingeschakeld. Bedien het gereedschap alleen terwijl u het vasthoudt.**
11. **Schakel het gereedschap uit en wacht totdat het zaagblad volledig tot stilstand is gekomen alvorens het zaagblad van het werkstuk te verwijderen.**
12. **Raak het zaagblad of het werkstuk niet aan onmiddellijk na het werk; deze kunnen gloeiend heet zijn en brandwonden veroorzaken.**
13. **Laat het gereedschap niet onbelast draaien wanneer zulks niet nodig is.**
14. **Sommige materialen bevatten chemische stoffen die giftig kunnen zijn. Wees voorzichtig dat u geen stof inademt en het stof niet op uw huid komt. Volg de veiligheidsinstructies van de leverancier van het materiaal op.**
15. **Draag altijd het stofmasker/gasmasker dat geschikt is voor het materiaal en de toepassing waarmee u werkt.**

## BEWAAR DEZE INSTRUCTIES.

**⚠️ WAARSCHUWING:** Laat u NIET misleiden door een vals gevoel van comfort en bekendheid met het gereedschap (na veelvuldig gebruik) en neem alle veiligheidsvoorschriften van het betreffende gereedschap altijd strikt in acht. **VERKEERD GEBRUIK** of het niet naleven van de veiligheidsvoorschriften in deze gebruiksaanwijzing kan leiden tot ernstig persoonlijk letsel.

## Belangrijke veiligheidsinstructies voor een accu

1. Lees alle voorschriften en waarschuwingen op (1) de acculader, (2) de accu, en (3) het product waarvoor de accu wordt gebruikt, alvorens de accu in gebruik te nemen.
2. Neem de accu niet uit elkaar.
3. Als de gebruikstijd van een opgeladen accu aanzienlijk korter is geworden, moet u het gebruik ervan onmiddellijk stopzetten. Voortgezet gebruik kan oververhitting, brandwonden en zelfs een ontploffing veroorzaken.
4. Als elektrolyt in uw ogen is terechtgekomen, spoelt u uw ogen met schoon water en roept u onmiddellijk de hulp van een dokter in. Elektrolyt in de ogen kan blindheid veroorzaken.
5. Voorkom kortsluiting van de accu:
  - (1) Raak de accuklemmen nooit aan met een geleidend materiaal.
  - (2) Bewaar de accu niet in een bak waarin andere metalen voorwerpen zoals spijkers, munten e.d. worden bewaard.
  - (3) Stel de accu niet bloot aan water of regen. Kortsluiting van de accu kan oorzaak zijn van een grote stroomafgifte, oververhitting, brandwonden, en zelfs defecten.
6. Bewaar het gereedschap en de accu niet op plaatsen waar de temperatuur kan oplopen tot 50°C of hoger.
7. Werp de accu nooit in het vuur, ook niet wanneer hij zwaar beschadigd of volledig versleten is. De accu kan ontploffen in het vuur.
8. Wees voorzichtig dat u de accu niet laat vallen en hem niet blootstelt aan schokken of stoten.
9. Gebruik nooit een beschadigde accu.
10. De bijgeleverde lithium-ionbatterijen zijn onderhevig aan de vereisten in de wetgeving omtrent gevaarlijke stoffen.

Voor commercieel transport en dergelijke door derden en transporteurs moeten speciale vereisten ten aanzien van verpakking en etikettering worden nageleefd. Als voorbereiding van het artikel dat wordt getransporteerd is het noodzakelijk een expert op het gebied van gevaarlijke stoffen te raadplegen. Houd u tevens aan mogelijk strengere nationale regelgeving. Blootliggende contactpunten moeten worden afgedekt met tape en de accu moet zodanig worden verpakt dat deze niet kan bewegen in de verpakking.
11. Volg bij het weggooiën van de accu de plaatselijke voorschriften.
12. Gebruik de accu's uitsluitend met de gereedschappen die door Makita zijn aanbevolen. Als de accu's worden aangebracht in niet-compatibele gereedschappen, kan dat leiden tot brand, buitensporige warmteontwikkeling, een explosie of lekkage van elektrolyt.

## BEWAAR DEZE INSTRUCTIES.

**⚠ LET OP:** Gebruik uitsluitend originele Makita accu's. Het gebruik van niet-originele accu's, of accu's die zijn gewijzigd, kan ertoe leiden dat de accu ontploft en brand, persoonlijk letsel en schade veroorzaakt. Ook vervalt daarmee de garantie van Makita op het gereedschap en de lader van Makita.

## Tips voor een maximale levensduur van de accu

1. Laad de accu op voordat hij volledig ontladen is. Stop het gebruik van het gereedschap en laad de accu op telkens wanneer u vaststelt dat het vermogen van het gereedschap is afgenomen.
2. Laad een volledig opgeladen accu nooit opnieuw op. Te lang opladen verkort de levensduur van de accu.
3. Laad de accu op bij een omgevingstemperatuur tussen 10°C en 40°C. Laat een warme accu afkoelen alvorens hem op te laden.

## BESCHRIJVING VAN DE FUNCTIES

**⚠ LET OP:** Zorg altijd dat het gereedschap is uitgeschakeld en de accu ervan is verwijderd alvorens de functies op het gereedschap af te stellen of te controleren.

## De accu aanbrengen en verwijderen

**⚠ LET OP:** Schakel het gereedschap altijd uit voordat u de accu aanbrengt of verwijdert.

**⚠ LET OP:** Houd het gereedschap en de accu stevig vast tijdens het aanbrengen of verwijderen van de accu. Als u het gereedschap en de accu niet stevig vasthoudt, kunnen deze uit uw handen glijpen en het gereedschap of de accu beschadigen, of kan persoonlijk letsel worden veroorzaakt.

► Fig. 1: 1. Rood deel 2. Knop 3. Accu

Om de accu te verwijderen verschuift u de knop aan de voorkant van de accu en schuift u tegelijkertijd de accu uit het gereedschap.

Om de accu aan te brengen lijnt u de lip op de accu uit met de groef in de behuizing en duwt u de accu op zijn plaats. Steek de accu zo ver mogelijk in het gereedschap tot u een klinkgeluid hoort. Als u het rode deel aan de bovenkant van de knop kunt zien, is de accu niet goed aangebracht.

**⚠ LET OP:** Breng de accu altijd helemaal aan totdat het rode deel niet meer zichtbaar is. Als u dit niet doet, kan de accu per ongeluk uit het gereedschap vallen en u of anderen in uw omgeving verwonden.

**⚠ LET OP:** Breng de accu niet met kracht aan. Als de accu niet gemakkelijk in het gereedschap kan worden geschoven, wordt deze niet goed aangebracht.



## Gereedschap-/accubeveiligingssysteem

Het gereedschap is voorzien van een gereedschap-/accubeveiligingssysteem. Dit systeem schakelt automatisch de voeding naar de motor uit om de levensduur van het gereedschap en de accu te verlengen. Het gereedschap kan tijdens het gebruik automatisch stoppen als het gereedschap of de accu aan één van de volgende omstandigheden wordt blootgesteld:

### Overbelastingsbeveiliging

Als de accu wordt gebruikt op een manier die ertoe leidt dat een abnormaal hoge stroomsterkte wordt getrokken, stopt het gereedschap automatisch zonder enige aanduiding. In dat geval schakelt u het gereedschap uit en stopt u met het gebruik dat er toe leidde dat het gereedschap overbelast raakte. Schakel vervolgens het gereedschap in om weer te starten.

### Oververhittingsbeveiliging

Wanneer het gereedschap of de accu oververhit is, stopt het gereedschap automatisch en knippert de lamp. In dat geval laat u het gereedschap en de accu afkoelen, voordat u het gereedschap opnieuw inschakelt.

### Beveiliging tegen te ver ontladen

Als de acculading onvoldoende is, stopt het gereedschap automatisch. Als u het gereedschap inschakelt, draait de motor weer, maar stopt spoedig. In dit het geval verwijderd u de accu vanaf het gereedschap en laadt u de accu op.

## De resterende acculading controleren

*Aleen voor accu's met indicatorlampjes*

► **Fig.2:** 1. Indicatorlampjes 2. Testknop

Druk op de testknop op de accu om de resterende acculading te zien. De indicatorlampjes branden gedurende enkele seconden.

Indicatorlampjes		Resterende capaciteit
Brandt	Uit	
■ ■ ■ ■	□	75% tot 100%
■ ■ ■ □	□	50% tot 75%
■ ■ □ □	□ □	25% tot 50%
■ □ □ □	□ □ □ □	0% tot 25%

**OPMERKING:** Afhankelijk van de gebruiksomstandigheden en de omgevingstemperatuur, is het mogelijk dat de aangegeven acculading verschilt van de werkelijke acculading.

## De zaagmethode selecteren

► **Fig.3:** 1. Zaagmethode-keuzehendel

Dit gereedschap kan worden ingesteld op een rechte (op-neergaande) of pendelende zaagmethode. Bij de pendelende zaagmethode wordt het decoupeerzaagblad naar voren geduwd tijdens de zaagslag waardoor de zaagsnelheid sterk toeneemt.

Om de zaagmethode te veranderen, draait u de zaagmethode-keuzehendel naar de gewenste zaagmethodestand. Raadpleeg de tabel om de juiste zaagmethode te kiezen.

Stand	Zaagmethode	Toepassingen
0	Zagen langs rechte lijn	Voor het zagen van zacht staal, roestvrij staal en kunststoffen. Voor schone zaagsneden in hout en multiplex.
I	Zagen in een scherpe bocht	Voor het zagen van zacht staal, aluminium en hardhout.
II	Zagen in een normale bocht	Voor het zagen van hout en multiplex. Voor snel zagen in aluminium en zacht staal.
III	Zagen in een flauwe bocht	Voor het snel zagen van hout en multiplex.

## De trekkerschakelaar gebruiken

Om het gereedschap in te schakelen, drukt u op de vergrendel-ontgrendelknop. Het gereedschap wordt op standby gezet. Om het gereedschap te starten, drukt u in standby op de aan-uitknop. Om het gereedschap te stoppen, drukt u nogmaals op de aan-uitknop. Het gereedschap wordt op standby gezet. Om het gereedschap uit te schakelen, drukt u in standby op de vergrendel-ontgrendelknop.

► **Fig.4:** 1. Vergrendel-ontgrendelknop 2. Aan-uitknop

**OPMERKING:** Als het gereedschap gedurende 10 seconden op standby blijft staan zonder bediend te worden, wordt het gereedschap automatisch uitgeschakeld en gaat de lamp uit.

**OPMERKING:** U kunt het gereedschap ook stoppen en uitschakelen, door tijdens gebruik op de vergrendel-ontgrendelknop te drukken.

## De lamp op de voorkant gebruiken

**⚠ LET OP:** Kijk niet direct in het lamplicht of in de lichtbron.

Om de lamp in te schakelen, drukt u op de vergrendel-ontgrendelknop. Om de lamp uit te schakelen, drukt u nogmaals op de vergrendel-ontgrendelknop.

**KENNISGEVING:** Wanneer het gereedschap oververhit is, knippert de lamp. Laat het gereedschap afkoelen voordat u het weer gebruikt.

**OPMERKING:** Gebruik een droge doek om vuil van de lens van de lamp af te vegen. Wees voorzichtig dat u de lens van de lamp niet bekrast omdat dan de verlichting minder wordt.

## Snelheidsregelaar

### ► Fig.5: 1. Snelheidsregelaar

De snelheid van het gereedschap kan worden ingesteld door de snelheidsregelaar te draaien. Op stand 5 is de snelheid het hoogst en op stand 1 het laagst.

Zie de tabel om de juiste snelheid te kiezen voor het werkstuk dat u wilt zagen. De juiste snelheid is echter ook afhankelijk van de soort en de dikte van het werkstuk. Over het algemeen kunt u op een hogere snelheid een werkstuk sneller zagen, maar gaat de levensduur van het zaagblad achteruit.

Werkstuk	Cijfer
Hout	4 - 5
Zacht staal	3 - 5
Roestvrij staal	3 - 4
Aluminium	3 - 5
Kunststof	1 - 4

**KENNISGEVING:** Wanneer u de snelheidsregelaar wilt verdraaien van "5" naar "1", draait u de regelaar linksom. Draai de regelaar niet met kracht rechtsom.

## Elektronische aansturing

Het gereedschap is uitgerust met elektronische aansturing voor een gemakkelijke bediening.

- **Zachte start**  
De zachte-startfunctie minimaliseert de opstartschok en zorgt ervoor dat het gereedschap soepel opstart.
- **Zacht onbelast draaien**  
Om de trillingen te verminderen en het decoupeerzaagblad gemakkelijk uit te lijnen met de zaaglijn, verlaagt het gereedschap automatisch de draaisnelheid tot het gereedschap in het werkstuk begint te zagen wanneer de snelheidsregelaar op stand 2 of hoger staat. Zodra het gereedschap in het werkstuk begint te zagen, wordt de snelheid van het gereedschap verhoogd naar de ingestelde snelheid en wordt deze snelheid gehandhaafd totdat het gereedschap wordt uitgeschakeld.

**OPMERKING:** Als de temperatuur laag is, is deze functie mogelijk niet beschikbaar.

## De functie zacht onbelast draaien uitschakelen

Om de functie zacht onbelast draaien uit te schakelen, volgt u de onderstaande stappen.

1. Verzeker u ervan dat het gereedschap is uitgeschakeld.
2. Zet de snelheidsregelaar op stand "1".
3. Druk op de vergrendel-/ontgrendelknop om het gereedschap in te schakelen.
4. Zet de snelheidsregelaar op stand "5" door hem te draaien, en zet hem daarna weer op stand "1" door hem terug te draaien.

De lamp knippert twee keer om aan te geven dat de functie zacht onbelast draaien is uitgeschakeld. Om deze functie weer in te schakelen, voert u dezelfde procedure opnieuw uit.

**OPMERKING:** Als de functie zacht onbelast draaien is uitgeschakeld, knippert de lamp twee keer wanneer het gereedschap wordt ingeschakeld.

**OPMERKING:** U kunt de functie zacht onbelast draaien ook uitschakelen of inschakelen door de snelheidsregelaar van stand "5" naar stand "1" te draaien, en daarna van stand "1" naar stand "5" te draaien.

## MONTAGE

**▲LET OP:** Zorg altijd dat het gereedschap is uitgeschakeld en de accu ervan is verwijderd alvorens enig werk aan het gereedschap uit te voeren.

## Het decoupeerzaagblad aanbrengen en verwijderen

**▲LET OP:** Verwijder altijd eerst alle houtsnippers en vreemde stoffen die aan het decoupeerzaagblad en/of de zaagbladhouder kleven. Als u dat niet doet is het mogelijk dat het zaagblad onvoldoende wordt vastgeklemd, wat kan leiden tot ernstig persoonlijk letsel.

**▲LET OP:** Raak de decoupeerzaagblad of het werkstuk niet onmiddellijk na gebruik aan. Deze kunnen bijzonder heet zijn en brandwonden op uw huid veroorzaken.

**▲LET OP:** Zet het decoupeerzaagblad altijd goed vast. Als het zaagblad onvoldoende goed is vastgezet, kan het breken en ernstig persoonlijk letsel ontstaan.

**▲LET OP:** Gebruik uitsluitend type B decoupeerzaagbladen. Als u een ander zaagblad dan type B gebruikt, wordt het zaagblad onvoldoende goed vastgezet, waardoor ernstig persoonlijk letsel kan worden veroorzaakt.

**▲LET OP:** Wees voorzichtig bij het verwijderen van het decoupeerzaagblad dat u uw vingers niet bezeert aan de punt van het zaagblad of de uiteinden van het werkstuk.

Alvorens het decoupeerzaagblad te monteren, zorgt u ervoor dat de zaagbladklemhendel in de ontgrendelde stand staat.

Om het decoupeerzaagblad aan te brengen, steekt u het zaagblad (met de tanden naar voren gericht) in de zaagbladhouder. De hendel beweegt naar de vergrendelde stand en het zaagblad is vergrendeld. Zorg ervoor dat de achterrand van het zaagblad in de rol past. Trek zacht aan het zaagblad om er zeker van te zijn dat het zaagblad er niet uitvalt tijdens gebruik.

- Fig.6: 1. Decoupeerzaagbladhouder  
2. Ontgrendelde stand 3. Vergrendelde stand

- Fig.7: 1. Decoupeerzaagbladhouder  
2. Decoupeerzaagblad

**⚠ LET OP:** Als de hendel niet naar de vergrendelde stand beweegt, is het zaagblad niet volledig aangebracht. Beweeg de hendel niet met de hand naar de vergrendelde stand. Hierdoor kan het gereedschap beschadigd worden.

Om het decoupeerzaagblad te verwijderen, duwt u de hendel zo ver mogelijk naar voren. Hierdoor wordt het zaagblad ontgrendeld.

- **Fig.8:** 1. Decoupeerzaagbladhouder  
2. Decoupeerzaagblad

**OPMERKING:** Smeer af en toe de rol.

## Opbergplaats voor de inbussleutel

- **Fig.9:** 1. Haak 2. Inbussleutel

Wanneer de inbussleutel niet wordt gebruikt, bergt u hem op zoals aangegeven in de afbeelding zodat u hem niet verliest.

Steek eerst de inbussleutel in het gat. Duw hem daarna onder de haak zodat hij wordt vergrendeld.

## BEDIENING

**⚠ LET OP:** Houd de zool altijd vlak met het oppervlak van het werkstuk. Als u dat niet doet bestaat de kans dat het decoupeerzaagblad breekt, wat kan leiden tot ernstig persoonlijk letsel.

**⚠ LET OP:** Beweeg het gereedschap zeer langzaam vooruit tijdens het zagen van bochten en bij ornamentzagen. Als u het gereedschap dwingt, kan een schuin zaagoppervlak ontstaan en het decoupeerzaagblad breken.

- **Fig.10:** 1. Zaaglijn 2. Zool

Schakel het gereedschap in zonder dat het decoupeerzaagblad iets raakt en wacht tot het decoupeerzaagblad op volle snelheid is. Plaats daarna de zool vlak op het werkstuk en beweeg het gereedschap rustig naar voren langs een eerder aangebrachte zaaglijn.

## Verticaal verstekzagen

**⚠ LET OP:** Zorg er altijd voor dat het gereedschap is uitgeschakeld en de accu is verwijderd, voordat u de zool kantelt.

Met een gekantelde zool kunt u verstekzagen onder elke hoek tussen 0° en 45° (links of rechts).

- **Fig.11**

Draai de bout op de achterkant van de zool los met behulp van de inbussleutel. Verplaats de zool zodat de bout zich in het midden van de kruisvormige gleuf in de zool bevindt.

- **Fig.12:** 1. Inbussleutel 2. Bout 3. Zool

Kantel de zool tot de gewenste verstekhoek is bereikt. De zijrand van het motorhuis geeft de verstekhoek aan op een schaalverdeling. Draai daarna de bout vast om de zool vast te zetten.

- **Fig.13:** 1. Zijrand 2. Schaalverdeling

## Zaagsneden tot aan de voorrand

- **Fig.14:** 1. Inbussleutel 2. Bout 3. Zool

Draai met de inbussleutel de bout op de onderkant van de zool los en schuif de zool helemaal naar achteren. Draai daarna de bout vast om de zool vast te zetten.

## Uitsnijdingen

U kunt uitsnijdingen maken volgens twee methoden: "Een begingat boren" of "Invalzaagsnede".

## Een begingat boren

- **Fig.15**

Voor uitsnijdingen midden in een werkstuk zonder in te zagen vanaf de rand, boort u vooraf een gat met een diameter van 12 mm of meer. Steek het decoupeerzaagblad in dit gat voordat u begint te zagen.

## Invalzaagsnede

- **Fig.16**

U hoeft geen begingat te boren of vanaf de rand in te zagen als u voorzichtig als volgt te werk gaat.

1. Kantel het gereedschap op de voorrand van de zool met de punt van het decoupeerzaagblad vlak boven het oppervlak van het werkstuk.
2. Oefen druk uit op het gereedschap zodat de voorrand van de zool niet beweegt wanneer u het gereedschap inschakelt, en laat de achterkant van het gereedschap voorzichtig zakken.
3. Naarmate het decoupeerzaagblad het werkstuk doorboort, laat u de zool van het gereedschap langzaam zakken tot op het oppervlak van het werkstuk.
4. Maak de zaagsnede op de normale manier af.

## Randen afwerken

- **Fig.17**

Om randen af te werken of afmetingen iets bij te zagen, beweegt u het decoupeerzaagblad licht langs de reeds gezaagde randen van het werkstuk.

## Zagen van metaal

Gebruik voor zagen in metaal altijd een geschikt koelmiddel (snijolie). Als u dat niet doet, zal het decoupeerzaagblad sterk slijten. De onderkant van het werkstuk kan met vet worden ingesmeerd in plaats van een koelvloeistof te gebruiken.

## Stofafzuiging

### Optioneel accessoire

U kunt schoon zagen door een Makita-stofzuiger aan te sluiten op dit gereedschap.

## Het stofscherm aanbrengen en verwijderen

Breng het stofscherm aan zoals aangegeven in de afbeelding.

- **Fig.18:** 1. Stofscherm

Om het stofscherm te verwijderen, duwt u tegen één zijkant van het stofscherm en verwijdert u het zoals aangegeven in de afbeelding.

- **Fig.19:** 1. Stofscherm

## De stofzuigaansluitmond aanbrengen en verwijderen

Steek de stofzuigaansluitmond helemaal in het gereedschap.

► **Fig.20:** 1. Stofzuigaansluitmond

Om de stofzuigaansluitmond te verwijderen, trekt u de stofzuigaansluitmond eruit terwijl u op de knop op de stofzuigaansluitmond drukt.

► **Fig.21:** 1. Knop 2. Stofzuigaansluitmond

## Het gereedschap aansluiten op een stofzuiger

Sluit de stofzuigerslang aan op de stofzuigaansluitmond.

► **Fig.22**

### Breedtegeleider

#### Optioneel accessoire

**⚠ LET OP:** Zorg er altijd voor dat het gereedschap is uitgeschakeld en de accu is verwijderd, voordat u accessoires aanbrengt of verwijderd.

## Rechte zaagsneden

Als u herhaaldelijk een breedte van minder dan 160 mm moet afzagen, kunt u door de breedtegeleider te gebruiken snel, schoon en recht zagen.

► **Fig.23:** 1. Breedtegeleider (liniaal)

Om hem aan te brengen steekt u de breedtegeleider in de rechthoekige opening in de zijkant van de zool met de geleider omlaag gericht. Schuif de breedtegeleider naar de gewenste zaagbreedte en draai daarna de bout vast om hem vast te zetten.

► **Fig.24:** 1. Inbussleutel 2. Bout 3. Geleider  
4. Breedtegeleider (liniaal)

## Gebogen zaagsneden

Als u cirkels of bogen met een straal van 170 mm of minder wilt zagen, brengt u de breedtegeleider als volgt aan.

► **Fig.25:** 1. Breedtegeleider (liniaal)

1. Steek de breedtegeleider in de rechthoekige opening in de zijkant van de zool met de geleider omhoog gericht.

2. Steek de cirkelgeleiden in een van de twee gaten in de geleider. Draai de knop met schroefdraad op de pen om deze vast te zetten.

► **Fig.26:** 1. Knop met schroefdraad 2. Geleider  
3. Breedtegeleider (liniaal) 4. Pen

3. Schuif de breedtegeleider naar de gewenste zaagstraal en draai de bout vast om hem vast te zetten. Beweeg tenslotte de zool helemaal naar voren.

**OPMERKING:** Gebruik altijd decoupeerzaagblad nr. B-17, B-18, B-26 of B-27 voor het zagen van cirkels of bogen.

## Antisplinterhulpstuk

#### Optioneel accessoire

**⚠ LET OP:** Het antisplinterhulpstuk kan niet worden gebruikt bij verstekzagen.

► **Fig.27:** 1. Zool 2. Antisplinterhulpstuk

Voor zagen zonder splinters kunt u het antisplinterhulpstuk gebruiken. Om het antisplinterhulpstuk te monteren, zet u de zool in de voorste stand en brengt u het hulpstuk eerst aan op de onderkant van de zool.

Als u de dekplaat gebruikt, brengt u het antisplinterhulpstuk aan op de dekplaat.

## Dekplaat

#### Optioneel accessoire

► **Fig.28:** 1. Dekplaat 2. Zool

Gebruik de dekplaat wanneer u zaagt in decoratieve deklagen, kunststoffen, enz. Hij beschermt gevoelige en delicate oppervlakken tegen beschadiging. Breng hem aan op de onderkant van de zool.

## Geleiderailadapterset

#### Optioneel accessoire

Als u een parallelle en uniforme breedte of recht wilt zagen, kunt u door de geleiderail en geleiderailadapter te gebruiken snelle en schone zaagsneden produceren. Om de geleiderailadapter aan te brengen, steekt u de bevestigingsstang zo ver mogelijk in de rechthoekige opening in de zool. Draai de bout stevig vast met de inbussleutel.

► **Fig.29:** 1. Inbussleutel 2. Bevestigingsstang

Steek de bevestigingsstang in de rechthoekige opening in de geleiderailadapter en draai de schroef stevig vast. Plaats de geleiderailadapter op de geleiderail.

► **Fig.30:** 1. Geleiderailadapter 2. Geleiderail  
3. Schroef

**KENNISGEVING:** Gebruik altijd zaagbladen nr. B-8, B-13, B-16, B-17 of 58 wanneer u de geleiderail en de geleiderailadapter gebruikt.

## ONDERHOUD

**⚠ LET OP:** Zorg altijd dat het gereedschap is uitgeschakeld en de accu ervan is verwijderd alvorens te beginnen met onderhoud of inspectie.

**KENNISGEVING:** Gebruik nooit benzine, wasbenzine, thinner, alcohol en dergelijke. Hierdoor kunnen verkleuring, vervormingen en barsten worden veroorzaakt.

Om de VEILIGHEID en BETROUWBAARHEID van het gereedschap te handhaven, dienen alle reparaties, onderhoud of afstellingen te worden uitgevoerd bij een erkend Makita-servicecentrum of de Makita-fabriek, en altijd met gebruik van Makita-ervangingsonderdelen.

# OPTIONELE ACCESSOIRES

**⚠ LET OP:** Deze accessoires of hulpstukken worden aanbevolen voor gebruik met het Makita gereedschap dat in deze gebruiksaanwijzing is beschreven. Bij gebruik van andere accessoires of hulpstukken bestaat het gevaar van persoonlijke letsel. Gebruik de accessoires of hulpstukken uitsluitend voor hun bestemde doel.

Wenst u meer bijzonderheden over deze accessoires, neem dan contact op met het plaatselijke Makita-servicecentrum.

- Decoupeerzaagbladen
- Inbussleutel 3
- Breedtegeleider (liniaal), set
- Geleiderailadapterset
- Antisplinterhulpstuk
- Slang (voor stofzuiger)
- Dekplaat
- Stofafzuigaansluitmond
- Stofscherp
- Originele Makita accu's en acculaders

**OPMERKING:** Sommige items op de lijst kunnen zijn inbegrepen in de doos van het gereedschap als standaard toebehoren. Deze kunnen van land tot land verschillen.

## ESPECIFICACIONES

Modelo:		JV102D
Longitud de carrera		23 mm
Carreras por minuto		800 - 3.000 min <sup>-1</sup>
Tipo de hoja de sierra		Tipo B
Capacidades máximas de corte	Madera	90 mm
	Acero suave	10 mm
	Aluminio	20 mm
Longitud total		237 mm
Tensión nominal		10,8 V - 12 V CC máx.
Peso neto		1,8 - 1,9 kg

- Debido a nuestro continuado programa de investigación y desarrollo, las especificaciones aquí dadas están sujetas a cambios sin previo aviso.
- Las especificaciones pueden ser diferentes de país a país.
- El peso puede variar dependiendo del accesorio(s), incluyendo el cartucho de batería. La combinación menos pesada y la más pesada, de acuerdo con el procedimiento EPTA 01/2014, se muestran en la tabla.

### Cartucho de batería y cargador aplicables

Cartucho de batería	BL1015 / BL1016 / BL1020B / BL1021B / BL1040B / BL1041B
Cargador	DC10SA / DC10SB / DC10WC / DC10WD / DC18RE

- Algunos de los cartuchos de batería y cargadores indicados arriba puede que no estén disponibles dependiendo de su región de residencia.

**⚠ ADVERTENCIA:** Utilice solamente los cartuchos de batería y cargadores listados arriba. La utilización de cualquier otro cartucho de batería y cargador puede ocasionar heridas y/o un incendio.

### Uso previsto

La herramienta ha sido prevista para el serrado de madera y materiales de plástico y metal. Como resultado del programa extensivo para accesorios y hojas de sierra, la herramienta se puede utilizar para muchos propósitos y es muy apropiada para cortes curvos o circulares.

### Ruido

El nivel de ruido A-ponderado típico determinado de acuerdo con la norma EN62841-2-11:  
 Nivel de presión sonora ( $L_{pA}$ ) : 85 dB (A)  
 Nivel de potencia sonora ( $L_{WA}$ ) : 96 dB (A)  
 Error (K) : 3 dB (A)

**NOTA:** El valor (o los valores) de emisión de ruido declarado ha sido medido de acuerdo con un método de prueba estándar y se puede utilizar para comparar una herramienta con otra.

**NOTA:** El valor (o valores) de emisión de ruido declarado también se puede utilizar en una valoración preliminar de exposición.

**⚠ ADVERTENCIA:** Póngase protectores para oídos.

**⚠ ADVERTENCIA:** La emisión de ruido durante la utilización real de la herramienta eléctrica puede variar del valor (o los valores) de emisión declarado dependiendo de las formas en las que la herramienta sea utilizada, especialmente qué tipo de pieza de trabajo se procesa.

**⚠ ADVERTENCIA:** Asegúrese de identificar medidas de seguridad para proteger al operario que estén basadas en una estimación de la exposición en las condiciones reales de utilización (teniendo en cuenta todas las partes del ciclo operativo como las veces cuando la herramienta está apagada y cuando está funcionando en vacío además del tiempo de gatillo).

### Vibración

El valor total de la vibración (suma de vectores triaxiales) determinado de acuerdo con la norma EN62841-2-11:

Modo de trabajo: corte de tableros  
 Emisión de vibración ( $a_{h,B}$ ): 11,5 m/s<sup>2</sup>  
 Error (K) : 1,5 m/s<sup>2</sup>

Modo de trabajo: corte de chapas de metal  
 Emisión de vibración ( $a_{h,M}$ ): 9,5 m/s<sup>2</sup>  
 Error (K) : 1,5 m/s<sup>2</sup>

**NOTA:** El valor (o los valores) total de emisión de vibración declarado ha sido medido de acuerdo con un método de prueba estándar y se puede utilizar para comparar una herramienta con otra.

**NOTA:** El valor (o los valores) total de emisión de vibración declarado también se puede utilizar en una valoración preliminar de exposición.

**⚠️ ADVERTENCIA:** La emisión de vibración durante la utilización real de la herramienta eléctrica puede variar del valor (o los valores) de emisión declarado dependiendo de las formas en las que la herramienta sea utilizada, especialmente qué tipo de pieza de trabajo se procesa.

**⚠️ ADVERTENCIA:** Asegúrese de identificar medidas de seguridad para proteger al operario que estén basadas en una estimación de la exposición en las condiciones reales de utilización (teniendo en cuenta todas las partes del ciclo operativo como las veces cuando la herramienta está apagada y cuando está funcionando en vacío además del tiempo de gatillo).

## Declaración CE de conformidad

### Para países europeos solamente

La declaración CE de conformidad está incluida como Anexo A de esta manual de instrucciones.

# ADVERTENCIAS DE SEGURIDAD

## Advertencias de seguridad para herramientas eléctricas en general

**⚠️ ADVERTENCIA:** Lea todas las advertencias de seguridad, instrucciones, ilustraciones y especificaciones provistas con esta herramienta eléctrica. Si no sigue todas las instrucciones indicadas abajo podrá resultar en una descarga eléctrica, un incendio y/o heridas graves.

## Guarde todas las advertencias e instrucciones para futuras referencias.

El término "herramienta eléctrica" en las advertencias se refiere a su herramienta eléctrica de funcionamiento con conexión a la red eléctrica (con cable) o herramienta eléctrica de funcionamiento a batería (sin cable).

## Advertencias de seguridad para la sierra caladora inalámbrica

1. Cuando realice una operación en la que el accesorio de corte pueda entrar en contacto con cableado oculto, sujete la herramienta eléctrica por las superficies de asiento aisladas. El contacto del accesorio de corte con un cable con corriente puede hacer que la corriente circule por las partes metálicas expuestas de la herramienta eléctrica y soltar una descarga eléctrica al operario.

2. Utilice mordazas u otros medios de sujeción prácticos para sujetar y apoyar la pieza de trabajo en una plataforma estable. Sujetada con la mano o contra su cuerpo, la pieza de trabajo estará inestable y podrá ocasionar la pérdida del control.
3. Utilice siempre gafas de seguridad o gafas de protección. Las gafas normales o de sol NO son gafas de seguridad.
4. Evite cortar clavos. Inspeccione la pieza de trabajo por si tiene algún clavo y retírelos antes de empezar la operación.
5. No corte piezas de trabajo sobredimensionadas.
6. Compruebe que hay espacio suficiente debajo de la pieza de trabajo antes de cortar, de forma que la hoja de sierra no golpee contra el suelo, el banco de trabajo, etc.
7. Sujete la herramienta firmemente.
8. Asegúrese de que la hoja de sierra no está tocando la pieza de trabajo antes de activar el interruptor.
9. Mantenga las manos alejadas de las partes en movimiento.
10. No deje la herramienta en marcha. Opere la herramienta solamente cuando la tenga sujeta con las manos.
11. Apague siempre la herramienta y espere hasta que la hoja de sierra se haya parado completamente antes de retirar la hoja de sierra de la pieza de trabajo.
12. No toque la hoja de sierra o la pieza de trabajo inmediatamente después de la operación; podrán estar muy calientes y quemarle la piel.
13. No utilice la herramienta sin carga innecesariamente.
14. Algunos materiales contienen sustancias químicas que podrán ser tóxicas. Tenga precaución para evitar la inhalación de polvo y el contacto con la piel. Siga los datos de seguridad del abastecedor del material.
15. Utilice siempre la mascarilla contra el polvo/ respirador correcto para el material y la aplicación con que esté trabajando.

## GUARDE ESTAS INSTRUCCIONES.

**⚠️ ADVERTENCIA:** NO deje que la comodidad o familiaridad con el producto (a base de utilizarlo repetidamente) sustituya la estricta observancia de las normas de seguridad para el producto en cuestión. El MAL USO o el no seguir las normas de seguridad establecidas en este manual de instrucciones podrá ocasionar graves heridas personales.

## Instrucciones de seguridad importantes para el cartucho de batería

1. Antes de utilizar el cartucho de batería, lea todas las instrucciones e indicaciones de precaución sobre (1) el cargador de baterías, (2) la batería, y (3) el producto con el que se utiliza la batería.
2. No desarme el cartucho de batería.

3. Si el tiempo de uso se acorta demasiado, cese la operación inmediatamente. Podría resultar en un riesgo de recalentamiento, posibles quemaduras e incluso una explosión.
4. Si entra electrolito en sus ojos, aclárelos con agua limpia y acuda a un médico inmediatamente. Existe el riesgo de poder perder la vista.
5. No cortocircuite el cartucho de batería:
  - (1) No toque los terminales con ningún material conductor.
  - (2) Evite guardar el cartucho de batería en un cajón junto con otros objetos metálicos, como clavos, monedas, etc.
  - (3) No exponga el cartucho de batería al agua ni a la lluvia.

Un cortocircuito en la batería puede producir una gran circulación de corriente, un recalentamiento, posibles quemaduras e incluso una rotura de la misma.

6. No guarde la herramienta y el cartucho de batería en lugares donde la temperatura pueda alcanzar o exceder los 50 °C.
7. Nunca incinere el cartucho de batería incluso en el caso de que esté dañado seriamente o ya no sirva en absoluto. El cartucho de batería puede explotar si se tira al fuego.
8. Tenga cuidado de no dejar caer ni golpear el cartucho de batería.
9. No utilice una batería dañada.
10. Las baterías de litio-ion contenidas están sujetas a los requisitos de la Legislación para Materiales Peligrosos.  
Para transportes comerciales, p.ej., por terceras personas y agentes de transportes, se deberán observar requisitos especiales para el empaquetado y etiquetado.  
Para la preparación del artículo que se va a enviar, se requiere consultar con un experto en materiales peligrosos. Por favor, observe también la posibilidad de reglamentos nacionales más detallados.  
Cubra con cinta aislante o enmascare los contactos expuestos y empaquete la batería de tal manera que no se pueda mover alrededor dentro del embalaje.
11. Siga los reglamentos locales referentes al desecho de la batería.
12. Utilice las baterías solamente con los productos especificados por Makita. La instalación de las baterías en productos no compatibles puede resultar en un incendio, calor excesivo, explosión, o fuga de electrolito.

## GUARDE ESTAS INSTRUCCIONES.

**⚠PRECAUCIÓN:** Utilice solamente baterías genuinas de Makita. La utilización de baterías no genuinas de Makita, o baterías que han sido alteradas, puede resultar en una explosión de la batería ocasionando incendios, heridas personales y daños. También anulará la garantía de Makita para la herramienta y el cargador de Makita.

## Consejos para alargar al máximo la vida de servicio de la batería

1. Cargue el cartucho de batería antes de que se descargue completamente. Detenga siempre la operación y cargue el cartucho de batería cuando note menos potencia en la herramienta.
2. No cargue nunca un cartucho de batería que esté completamente cargado. La sobrecarga acortará la vida de servicio de la batería.
3. Cargue el cartucho de batería a temperatura ambiente de 10 °C - 40 °C. Si un cartucho de batería está caliente, déjelo enfriar antes de cargarlo.

## DESCRIPCIÓN DEL FUNCIONAMIENTO

**⚠PRECAUCIÓN:** Asegúrese siempre de que la herramienta está apagada y el cartucho de batería retirado antes de realizar cualquier ajuste o comprobación en la herramienta.

## Instalación o extracción del cartucho de batería

**⚠PRECAUCIÓN:** Apague siempre la herramienta antes de instalar o retirar el cartucho de batería.

**⚠PRECAUCIÓN:** Sujete la herramienta y el cartucho de batería firmemente cuando instale o retire el cartucho de batería. Si no sujeta la herramienta y el cartucho de batería firmemente podrán caérsele de las manos y resultar en daños a la herramienta y al cartucho de batería y heridas personales.

► Fig.1: 1. Indicador rojo 2. Botón 3. Cartucho de batería

Para retirar el cartucho de batería, deslícelo de la herramienta mientras desliza el botón de la parte frontal del cartucho.

Para instalar el cartucho de batería, alinee la lengüeta del cartucho de batería con la ranura de la carcasa y deslícelo hasta que encaje en su sitio. Insértelo a tope hasta que se bloquee en su sitio produciendo un pequeño chasquido. Si puede ver el indicador rojo en el lado superior del botón, no estará bloqueado completamente.

**⚠PRECAUCIÓN:** Instale siempre el cartucho de batería completamente hasta que no pueda verse el indicador rojo. En caso contrario, podrá caerse accidentalmente de la herramienta y ocasionarle heridas a usted o a alguien que esté cerca de usted.

**⚠PRECAUCIÓN:** No instale el cartucho de batería empleando fuerza. Si el cartucho no se desliza al interior fácilmente, será porque no está siendo insertado correctamente.



## Sistema de protección de la herramienta / batería

La herramienta está equipada con un sistema de protección de la herramienta/batería. Este sistema corta automáticamente la alimentación al motor para alargar la vida de servicio de la herramienta y la batería. La herramienta se detendrá automáticamente durante la operación si la herramienta o la batería es puesta en una de las condiciones siguientes:

### Protección contra sobrecarga

Cuando la batería sea operada de manera que le haga extraer una corriente anormalmente alta, la herramienta se detendrá automáticamente sin ninguna indicación. En esta situación, apague la herramienta y detenga la aplicación que ocasiona la sobrecarga de la herramienta. Después encienda la herramienta para volver a empezar.

### Protección contra el recalentamiento

Cuando la herramienta o la batería se recalienta, la herramienta se detiene automáticamente y la lámpara parpadea. En este caso, deje que la herramienta y la batería se enfríen antes de encender la herramienta otra vez.

### Protección contra descarga excesiva

Cuando la capacidad de batería no es suficiente, la herramienta se detiene automáticamente. Si enciende la herramienta, el motor se pondrá en marcha otra vez pero se parará en seguida. En este caso, retire la batería de la herramienta y cargue la batería.

## Modo de indicar la capacidad de batería restante

**Solamente para cartuchos de batería con el indicador**

► **Fig.2:** 1. Lámparas indicadoras 2. Botón de comprobación

Presione el botón de comprobación en el cartucho de batería para indicar la capacidad de batería restante. Las lámparas indicadoras se iluminan durante unos pocos segundos.

Lámparas de indicación		Capacidad restante
Iluminada	Apagada	
■ ■ ■ ■	□	75% a 100%
■ ■ ■ □	□	50% a 75%
■ ■ □ □	□	25% a 50%
■ □ □ □	□	0% a 25%

**NOTA:** Dependiendo de las condiciones de utilización y de la temperatura ambiente, la indicación podrá variar ligeramente de la capacidad real.

## Selección de la acción de corte

► **Fig.3:** 1. Palanca de cambio de la acción de corte

Esta herramienta se puede operar con una acción de corte orbital o en línea recta (hacia arriba y hacia abajo). La acción de corte orbital empuja la hoja de sierra de calar hacia adelante en la carrera de corte y aumenta notablemente la velocidad de corte.

Para cambiar la acción de corte, simplemente gire la palanca de cambio de la acción de corte a la posición de la acción de corte deseada. Consulte la tabla para seleccionar la acción de corte apropiada.

Posición	Acción de corte	Aplicaciones
0	Acción de corte en línea recta	Para cortar acero suave, acero inoxidable y plásticos. Para cortes limpios en madera y contrachapado.
I	Acción de corte de órbita pequeña	Para cortar acero suave, aluminio y madera dura.
II	Acción de corte de órbita media	Para cortar madera y contrachapado. Para cortar rápido en aluminio y acero suave.
III	Acción de corte de órbita grande	Para cortar rápido en madera y contrachapado.

## Accionamiento del interruptor

Para encender la herramienta, presione el botón de bloqueo/desbloqueo. La herramienta se enciende y queda en modo de espera. Para poner en marcha la herramienta, presione el botón de inicio/detención en el modo de espera. Para detener la herramienta, vuelva a presionar el botón de inicio/detención. La herramienta se enciende y queda en modo de espera. Para apagar la herramienta, presione el botón de bloqueo/desbloqueo en el modo de espera.

► **Fig.4:** 1. Botón de bloqueo/desbloqueo 2. Botón de inicio/detención

**NOTA:** Si la herramienta permanece 10 segundos sin ser utilizada en el modo de espera, tanto la herramienta como la lámpara se apagan automáticamente.

**NOTA:** También puede detener y apagar la herramienta presionando el botón de bloqueo/desbloqueo mientras la herramienta está en funcionamiento.

## Encendido de la lámpara delantera

**PRECAUCIÓN:** No mire a la luz ni vea la fuente de luz directamente.

Para encender la lámpara, presione el botón de bloqueo/desbloqueo. Para apagar la lámpara, vuelva a presionar el botón de bloqueo/desbloqueo.

**AVISO:** Si la herramienta se recalienta, la lámpara parpadea. Deje enfriar la herramienta por completo antes de volver a utilizarla.

**NOTA:** Utilice un paño seco para quitar la suciedad de la lente de la lámpara. Tenga cuidado de no rayar la lente de la lámpara, porque podrá disminuir la iluminación.

## Dial de ajuste de velocidad

### ► Fig.5: 1. Dial de ajuste de velocidad

La velocidad de la herramienta se puede ajustar girando el dial de ajuste de velocidad. Puede obtener la velocidad más alta en 5 y la velocidad más baja en 1. Consulte la tabla para seleccionar la velocidad apropiada para la pieza de trabajo que va a cortar. Sin embargo, la velocidad apropiada podrá variar con el tipo o grosor de la pieza de trabajo. En general, las velocidades más altas le permitirán cortar piezas de trabajo de forma más rápida pero la vida de servicio de la hoja de sierra se reducirá.

Pieza de trabajo	Número
Madera	4 - 5
Acero suave	3 - 5
Acero inoxidable	3 - 4
Aluminio	3 - 5
Plásticos	1 - 4

**AVISO:** Cuando cambie el dial de velocidad de "5" a "1", gire el dial hacia la izquierda. No gire el dial hacia la derecha con fuerza.

## Función electrónica

La herramienta está equipada con funciones electrónicas para facilitar la operación.

- Inicio suave  
La función de inicio suave minimiza el golpe del arranque, y hace que la herramienta se ponga en marcha suavemente.
- Giro suave sin carga  
Para reducir la vibración y alinear la hoja de sierra de calar con la línea de corte fácilmente, la herramienta reduce automáticamente la velocidad de giro hasta que la herramienta comienza a cortar la pieza de trabajo cuando el dial de ajuste de velocidad está ajustado a 2 o más alto. Una vez que la herramienta comienza a cortar la pieza de trabajo, la velocidad de la herramienta alcanza la velocidad predeterminada y mantiene la velocidad hasta que la herramienta se para.

**NOTA:** Cuando la temperatura sea baja, es posible que esta función no esté disponible.

## Inhabilitación de la función de giro suave sin carga

Para inhabilitar la función de giro suave sin carga, siga los pasos se abajo.

1. Asegúrese de que la herramienta está apagada.
2. Ajuste el dial de ajuste de velocidad a "1".
3. Presione el botón de bloqueo/desbloqueo para encender la herramienta.

4. Ajuste el dial de ajuste de velocidad a "5" girándolo, y después ajústelo a "1" volviéndolo a girar.

La lámpara parpadea dos veces para indicar que la función de giro suave sin carga está inhabilitada. Para habilitar esta función otra vez, realice el mismo procedimiento otra vez.

**NOTA:** Si la función de giro suave sin carga está inhabilitada, la lámpara parpadeará dos veces cuando se encienda la herramienta.

**NOTA:** También puede inhabilitar o habilitar la función de giro suave sin carga cambiando el dial de ajuste de velocidad de "5" a "1" y cambiándolo de "1" a "5".

## MONTAJE

**PRECAUCIÓN:** Asegúrese siempre de que la herramienta está apagada y el cartucho de batería retirado antes de realizar cualquier trabajo en la herramienta.

## Instalación o desmontaje de la hoja de sierra de calar

**PRECAUCIÓN:** Limpie siempre todas las virutas y materias extrañas adheridas a la hoja de sierra de calar y/o el porta hoja de sierra. En caso contrario, la hoja de sierra podrá quedar insuficientemente apretada, pudiendo resultar en heridas personales graves.

**PRECAUCIÓN:** No toque la hoja de sierra de calar o la pieza de trabajo inmediatamente después de la operación. Podrán estar muy calientes y quemarle la piel.

**PRECAUCIÓN:** Sujete siempre la hoja de sierra de calar firmemente. Un apretado insuficiente de la hoja de sierra podrá ocasionar la rotura de la hoja de sierra o heridas personales graves.

**PRECAUCIÓN:** Utilice solamente hojas de sierra de calar de tipo B. La utilización de hojas de sierra distintas de las de tipo B puede ocasionar un apretado insuficiente de la hoja de sierra, resultando en heridas personales graves.

**PRECAUCIÓN:** Cuando retire la hoja de sierra de calar, tenga cuidado de no herirse los dedos con la parte superior de la hoja de sierra o las puntas de la pieza de trabajo.

Antes de instalar la hoja de sierra de calar, asegúrese de que la palanca de la abrazadera de la hoja de sierra está en la posición liberada.

Para instalar la hoja de sierra de calar, inserte la hoja de sierra (con los dientes orientados hacia adelante) en el porta hoja de sierra. La palanca se mueve hasta la posición fija y la hoja de sierra se bloquea. Asegúrese de que el borde trasero de la hoja de sierra encaja en el rodillo. Tire ligeramente de la hoja de sierra para asegurarse de que la hoja de sierra no se va a caer durante la operación.

► Fig.6: 1. Porta hoja de sierra de calar 2. Posición liberada 3. Posición fija

► Fig.7: 1. Porta hoja de sierra de calar 2. Hoja de sierra de calar

**⚠ PRECAUCIÓN:** Si la palanca no se mueve hasta la posición fija, la hoja de sierra no estará instalada completamente. No presione la palanca a mano hasta la posición fija. Podría dañar la herramienta.

Para retirar la hoja de sierra de calar, empuje la palanca hacia adelante a tope. Esto permite a la hoja de sierra ser liberada.

► **Fig.8:** 1. Porta hoja de sierra de calar 2. Hoja de sierra de calar

**NOTA:** Lubrique el rodillo de vez en cuando.

## Para guardar la llave hexagonal

► **Fig.9:** 1. Gancho 2. Llave hexagonal

Cuando no la esté utilizando, guarde la llave hexagonal como se muestra en la figura para evitar perderla. Primero, inserte la llave hexagonal en el agujero. Después empújela hacia el gancho hasta que se bloquee.

## OPERACIÓN

**⚠ PRECAUCIÓN:** Sujete siempre la base al ras con la pieza de trabajo. En caso contrario podrá ocasionar la rotura de la hoja de sierra de calar, resultando en heridas graves.

**⚠ PRECAUCIÓN:** Avance la herramienta muy despacio cuando corte curvas o en vertical. Si fuerza la herramienta podrá ocasionar una superficie de corte sesgada y la rotura de la hoja de sierra de calar.

► **Fig.10:** 1. Línea de corte 2. Base

Encienda la herramienta sin que la hoja de sierra de calar esté haciendo contacto alguno y espere hasta que la hoja de sierra alcance plena velocidad. Después apoye la base nivelada sobre la pieza de trabajo y mueva la herramienta despacio hacia adelante a lo largo de la línea de corte marcada previamente.

## Corte en bisel

**⚠ PRECAUCIÓN:** Asegúrese siempre de que la herramienta está apagada y el cartucho de batería retirado antes de inclinar la base.

Con la base inclinada, usted puede hacer cortes en bisel a cualquier ángulo entre 0° y 45° (izquierdo o derecho).

► **Fig.11**

Afloje el perno de la parte trasera de la base con la llave hexagonal. Mueva la base de forma que el perno quede posicionado en el centro de la ranura con forma de cruz en la base.

► **Fig.12:** 1. Llave hexagonal 2. Perno 3. Base

Incline la base hasta obtener el ángulo de bisel deseado. El borde del alojamiento del motor indica el ángulo de bisel en graduaciones. Después apriete el perno para sujetar la base.

► **Fig.13:** 1. Borde 2. Graduación

## Cortes a ras delantero

► **Fig.14:** 1. Llave hexagonal 2. Perno 3. Base

Afloje el perno de la parte trasera de la base con la llave hexagonal y deslice la base hacia atrás a tope. Después apriete el perno para sujetar la base.

## Recortes

Los recortes se pueden hacer con cualquiera de los dos métodos "Perforando un agujero de inicio" o "Corte por hundimiento".

## Perforando un agujero de inicio

► **Fig.15**

Para recortes internos sin un corte de entrada desde un borde, perforo previamente un agujero de inicio de 12 mm o más de diámetro. Inserte la hoja de sierra de calar en este agujero para comenzar el corte.

## Corte por hundimiento

► **Fig.16**

No necesita hacer un agujero de inicio o un corte de entrada si hace cuidadosamente lo siguiente.

1. Incline la herramienta hacia arriba sobre el borde delantero de la base con la punta de la hoja de sierra de calar posicionada justo por encima de la pieza de trabajo.
2. Aplique presión a la herramienta de forma que el borde delantero de la base no se mueva cuando usted encienda la herramienta y baje suavemente y con cuidado el extremo trasero de la herramienta.
3. A medida que la hoja de sierra de calar atraviesa la pieza de trabajo, vaya bajando despacio la base de la herramienta sobre la superficie de la pieza de trabajo.
4. Complete el corte de la manera normal.

## Acabado de bordes

► **Fig.17**

Para recortar los bordes o hacer ajustes dimensionales, pase la hoja de sierra de calar ligeramente a lo largo de los bordes del corte.

## Corte de metal

Utilice siempre un refrigerante apropiado (aceite para cortar) cuando corte metal. De no hacerlo ocasionará un desgaste significativo de la hoja de sierra de calar. Se puede poner grasa en la parte inferior de la pieza de trabajo en lugar de utilizar un refrigerante.

## Extracción de polvo

### Accesorio opcional

Se pueden realizar operaciones de corte limpias conectando esta herramienta a un aspirador de Makita.

## Instalación o desmontaje del guardapolvo

Instale el guardapolvo como se muestra en la figura.

► **Fig.18:** 1. Guardapolvo

Para retirar el guardapolvo, presione un lado del guardapolvo, y después retírelo como se muestra en la figura.

► **Fig.19:** 1. Guardapolvo

## Instalación o desmontaje de la boquilla de polvo

Inserte la boquilla de polvo a tope en la herramienta.

► **Fig.20:** 1. Boquilla de polvo

Para retirar la boquilla de polvo, extraiga la boquilla de polvo mientras presiona el botón de la boquilla de polvo.

► **Fig.21:** 1. Botón 2. Boquilla de polvo

## Conexión de la herramienta a un aspirador

Conecte la manguera del aspirador a la boquilla de polvo.

► **Fig.22**

## Guía lateral

### Accesorios opcionales

**⚠PRECAUCIÓN:** Asegúrese siempre de que la herramienta está apagada y el cartucho de batería retirado antes de instalar o retirar accesorios.

## Cortes rectos

Cuando se hagan cortes repetidos de anchuras de 160 mm o menos, la utilización de la guía lateral garantizará cortes rápidos, límpidos y rectos.

► **Fig.23:** 1. Guía lateral (Regla guía)

Para instalar, inserte la guía lateral en el agujero rectangular del costado de la base con el orientador de guía lateral hacia abajo. Deslice la guía lateral hasta la posición de la anchura de corte deseada, después apriete el perno para sujetarla.

► **Fig.24:** 1. Llave hexagonal 2. Perno 3. Orientador de guía lateral 4. Guía lateral (Regla guía)

## Cortes circulares

Cuando corte círculos o arcos de 170 mm o menos de radio, instale la guía lateral de la forma siguiente.

► **Fig.25:** 1. Guía lateral (Regla guía)

1. Inserte la guía lateral en el agujero rectangular del costado de la base con el orientador de la guía lateral orientado hacia arriba.

2. Inserte el pasador de la guía circular a través de uno de los dos agujeros del orientador de la guía lateral. Rosque el pomo roscado en el pasador para sujetar el pasador.

► **Fig.26:** 1. Pomo roscado 2. Orientador de guía lateral 3. Guía lateral (Regla guía) 4. Pasador

3. Deslice la guía lateral hasta el radio de corte deseado, y apriete el perno para sujetarla en su sitio. Después mueva la base hacia adelante a tope.

**NOTA:** Utilice siempre hojas de sierra de calar N.º B-17, B-18, B-26 o B-27 cuando corte círculos o arcos.

## Dispositivo anti astillado

### Accesorio opcional

**⚠PRECAUCIÓN:** El dispositivo anti astillado no se puede utilizar cuando se hacen cortes en bisel.

► **Fig.27:** 1. Base 2. Dispositivo anti astillado

Para cortes libres de astillado, se puede utilizar el dispositivo anti astillado. Para instalar el dispositivo anti astillado, mueva la base de la herramienta hacia adelante a tope y encájelo desde la parte trasera de la base de la herramienta.

Cuando utilice la placa cobertera, instale el dispositivo anti astillado sobre la placa cobertera.

## Placa cobertera

### Accesorio opcional

► **Fig.28:** 1. Placa cobertera 2. Base

Utilice la placa cobertera cuando corte enchapados decorativos, plásticos, etc. Ella protege de daños las superficies sensibles o delicadas. Encájela en la parte trasera de la base de la herramienta.

## Juego de adaptador de riel guía

### Accesorio opcional

Cuando corte anchuras paralelas y uniformes o corte en línea recta, la utilización del riel guía y el adaptador de riel guía garantizará la producción de cortes rápidos y limpios. Para instalar el adaptador de riel guía, inserte la regla en el agujero cuadrado de la base a tope. Sujete el perno firmemente con la llave hexagonal.

► **Fig.29:** 1. Llave hexagonal 2. Regla

Inserte la regla en el agujero cuadrado del adaptador de riel guía, y sujete el tornillo firmemente. Ponga el adaptador de riel guía en el riel guía.

► **Fig.30:** 1. Adaptador de riel guía 2. Riel guía 3. Tornillo

**AVISO:** Utilice siempre hojas de sierra de N.º B-8, B-13, B-16, B-17 o 58 cuando utilice el riel guía y el adaptador de riel guía.

## MANTENIMIENTO

**⚠PRECAUCIÓN:** Asegúrese siempre de que la herramienta está apagada y de que el cartucho de batería está retirado antes de intentar hacer una inspección o mantenimiento.

**AVISO:** No utilice nunca gasolina, bencina, disolvente, alcohol o similares. Podría producir descoloración, deformación o grietas.

Para mantener la SEGURIDAD y FIABILIDAD del producto, las reparaciones, y cualquier otra tarea de mantenimiento o ajuste deberán ser realizadas en centros de servicio o de fábrica autorizados por Makita, empleando siempre repuestos Makita.

# ACCESORIOS OPCIONALES

**⚠PRECAUCIÓN:** Estos accesorios o aditamentos están recomendados para su uso con la herramienta Makita especificada en este manual.

El uso de cualquier otro accesorio o aditamento puede suponer un riesgo de heridas personales. Utilice el accesorio o aditamento solamente con la finalidad indicada para el mismo.

Si necesita cualquier ayuda para más detalles en relación con estos accesorios, pregunte al centro de servicio Makita local.

- Hojas de sierra de calar
- Llave hexagonal 3
- Conjunto de guía lateral (regla guía)
- Juego de adaptador de riel guía
- Dispositivo anti astillado
- Manguera (Para aspirador)
- Placa cobertera
- Boquilla de polvo
- Guardapolvo
- Batería y cargador genuinos de Makita

**NOTA:** Algunos elementos de la lista podrán estar incluidos en el paquete de la herramienta como accesorios estándar. Pueden variar de un país a otro.

## ESPECIFICAÇÕES

Modelo:	JV102D	
Comprimento de corte	23 mm	
Golpes por minuto	800 - 3.000 min <sup>-1</sup>	
Tipo de serra	Tipo B	
Capacidade máx. de corte	Madeira	90 mm
	Aço macio	10 mm
	Alumínio	20 mm
Comprimento geral	237 mm	
Tensão nominal	CC 10,8 V - 12 V máx.	
Peso líquido	1,8 - 1,9 kg	

- Devido a um programa contínuo de pesquisa e desenvolvimento, estas especificações estão sujeitas a alteração sem aviso prévio.
- As especificações podem variar de país para país.
- O peso poderá diferir em função do acessório(s), incluindo a bateria. A combinação mais leve e mais pesada, de acordo com o Procedimento EPTA 01/2014, é apresentada na tabela.

### Bateria e carregador aplicável

Bateria	BL1015 / BL1016 / BL1020B / BL1021B / BL1040B / BL1041B
Carregador	DC10SA / DC10SB / DC10WC / DC10WD / DC18RE

- Algumas das baterias e carregadores listados acima poderão não estar disponíveis, dependendo da sua região de residência.

**⚠AVISO:** Utilize apenas as baterias e carregadores listados acima. A utilização de quaisquer outras baterias e carregadores pode causar ferimentos e/ou um incêndio.

### Utilização pretendida

Esta ferramenta destina-se ao corte de madeira, plástico e materiais metálicos. Como resultado dos acessórios extensivos e do programa da serra para cortar, a ferramenta pode ser utilizada para vários fins e é bastante adequada para cortes curvos ou circulares.

### Ruído

A característica do nível de ruído A determinado de acordo com a EN62841-2-11:

Nível de pressão acústica ( $L_{pA}$ ): 85 dB (A)

Nível de potência acústica ( $L_{wA}$ ): 96 dB (A)

Variabilidade (K): 3 dB (A)

**NOTA:** O(s) valor(es) da emissão de ruído indicado(s) foi medido de acordo com um método de teste padrão e pode ser utilizado para comparar duas ferramentas.

**NOTA:** O(s) valor(es) da emissão de ruído indicado(s) pode também ser utilizado na avaliação preliminar da exposição.

**⚠AVISO:** Utilize protetores auriculares.

**⚠AVISO:** A emissão de ruído durante a utilização real da ferramenta elétrica pode diferir do(s) valor(es) indicado(s), dependendo das formas como a ferramenta é utilizada, especialmente o tipo de peça de trabalho que é processada.

**⚠AVISO:** Certifique-se de identificar as medidas de segurança para proteção do operador que sejam baseadas em uma estimativa de exposição em condições reais de utilização (considerando todas as partes do ciclo de operação, tal como quando a ferramenta está desligada e quando está a funcionar em marcha lenta além do tempo de acionamento).

### Vibração

Valor total da vibração (soma vetorial tri-axial) determinado de acordo com a EN62841-2-11:

Modo de trabalho: cortar tábuas

Emissão de vibração ( $a_{h,B}$ ): 11,5 m/s<sup>2</sup>

Variabilidade (K): 1,5 m/s<sup>2</sup>

Modo de trabalho: cortar folha metálica

Emissão de vibração ( $a_{h,M}$ ): 9,5 m/s<sup>2</sup>

Variabilidade (K): 1,5 m/s<sup>2</sup>

**NOTA:** O(s) valor(es) total(ais) de vibração indicado(s) foi medido de acordo com um método de teste padrão e pode ser utilizado para comparar duas ferramentas.

**NOTA:** O(s) valor(es) total(ais) de vibração indicado(s) pode também ser utilizado na avaliação preliminar da exposição.

**AVISO:** A emissão de vibração durante a utilização real da ferramenta elétrica pode diferir do(s) valor(es) indicado(s), dependendo das formas como a ferramenta é utilizada, especialmente o tipo de peça de trabalho que é processada.

**AVISO:** Certifique-se de identificar as medidas de segurança para proteção do operador que sejam baseadas em uma estimativa de exposição em condições reais de utilização (considerando todas as partes do ciclo de operação, tal como quando a ferramenta está desligada e quando está a funcionar em marcha lenta além do tempo de acionamento).

## Declaração de conformidade da CE

### *Apenas para os países europeus*

A declaração de conformidade da CE está incluída como Anexo A neste manual de instruções.

## AVISOS DE SEGURANÇA

### Avisos gerais de segurança para ferramentas elétricas

**AVISO:** Leia todos os avisos de segurança, instruções, ilustrações e especificações fornecidos com esta ferramenta elétrica. O não cumprimento de todas as instruções indicadas em baixo pode resultar em choque elétrico, incêndio e/ou ferimentos graves.

### Guarde todos os avisos e instruções para futuras referências.

O termo "ferramenta elétrica" nos avisos refere-se às ferramentas elétricas ligadas à corrente elétrica (com cabo) ou às ferramentas elétricas operadas por meio de bateria (sem cabo).

### Avisos de segurança da serra tico-tico a bateria

1. **Segure na ferramenta elétrica pelas superfícies de aderência isoladas quando executar uma operação em que o acessório de corte possa entrar em contacto com fios ocultos.** O contacto do acessório de corte com um fio elétrico "sob tensão" pode tornar as partes metálicas expostas da ferramenta elétrica "sob tensão" e pode causar um choque elétrico ao operador.
2. **Utilize grampos ou qualquer outro modo prático para prender e suportar a peça de trabalho numa superfície estável.** Segurar na peça de trabalho com a mão ou contra o corpo deixa-a instável e pode levar à perda de controlo.

3. **Utilize sempre óculos de segurança.** Os óculos normais ou de sol **NÃO** são óculos de segurança.
4. **Evite cortar pregos.** Inspeccione a peça de trabalho e se tiver pregos, tire-os antes da operação.
5. **Não corte peças de trabalho de tamanho muito grande.**
6. **Verifique se tem a folga adequada sob a peça de trabalho antes de cortar, de modo a que a serra não bata no chão, bancada, etc.**
7. **Segure firmemente na ferramenta.**
8. **Certifique-se de que a serra não está em contacto com a peça de trabalho antes de ligar o interruptor.**
9. **Mantenha as mãos afastadas das partes em movimento.**
10. **Não deixe a ferramenta a funcionar. Utilize a ferramenta apenas quando estiver na sua mão.**
11. **Desligue sempre e espere que a serra pare completamente antes de retirar a serra da peça de trabalho.**
12. **Não toque na serra ou na peça de trabalho imediatamente a seguir à operação pois podem estar extremamente quentes e provocar queimaduras.**
13. **Não utilize com a ferramenta em vazio desnecessariamente.**
14. **Alguns materiais contêm químicos que podem ser tóxicos. Tome todas as precauções para impedir a inalação de poeiras e o contacto com a pele. Siga os dados de segurança do fornecedor do material.**
15. **Utilize sempre a máscara de pó/respirador correto para o material e a aplicação com que está a trabalhar.**

## GUARDE ESTAS INSTRUÇÕES.

**AVISO:** NÃO permita que o conforto ou familiaridade com o produto (adquirido com o uso repetido) substitua o cumprimento estrito das regras de segurança da ferramenta. A MÁ INTERPRETAÇÃO ou o não seguimento das regras de segurança estabelecidas neste manual de instruções pode provocar ferimentos pessoais graves.

### Instruções de segurança importantes para a bateria

1. **Antes de utilizar a bateria, leia todas as instruções e etiquetas de precaução no (1) carregador de bateria (2) bateria e (3) produto que utiliza a bateria.**
2. **Não abra a bateria.**
3. **Se o tempo de funcionamento se tornar excessivamente curto, pare o funcionamento imediatamente. Pode resultar em sobreaquecimento, possíveis queimaduras e mesmo explosão.**
4. **Se entrar eletrólito nos seus olhos, lave-os com água e consulte imediatamente um médico. Pode resultar em perda de visão.**

5. Não coloque a bateria em curto-circuito:
  - (1) Não toque nos terminais com qualquer material condutor.
  - (2) Evite guardar a bateria juntamente com outros objetos metálicos tais como pregos, moedas, etc.
  - (3) Não exponha a bateria à água ou chuva. Um curto-circuito pode ocasionar um enorme fluxo de corrente, sobreaquecimento, possíveis queimaduras e mesmo estragar-se.
6. Não guarde a ferramenta e a bateria em locais onde a temperatura pode atingir ou exceder 50°C.
7. Não queime a bateria mesmo que esteja estragada ou completamente gasta. A bateria pode explodir no fogo.
8. Tenha cuidado para não deixar cair ou dar pancadas na bateria.
9. Não utilize uma bateria danificada.
10. As baterias de íões de lítio contidas na ferramenta são sujeitas aos requisitos da DGL (Dangerous Goods Legislation - Legislação de bens perigosos).  
Para o transporte comercial, por exemplo, por terceiros ou agentes de expedição, têm de ser observados os requisitos referentes à embalagem e etiquetagem.  
Para preparação do artigo a ser expedido, é necessário consultar um perito em materiais perigosos. Tenha ainda em conta a possibilidade de existirem regulamentos nacionais mais detalhados.  
Coloque fita-cola ou tape os contactos abertos e embale a bateria de tal forma que não possa mover-se dentro da embalagem.
11. Siga os regulamentos locais relacionados com a eliminação de baterias.
12. Utilize as baterias apenas com os produtos especificados pela Makita. Instalar as baterias em produtos não-conformes poderá resultar num incêndio, calor excessivo, explosão ou fuga de eletrólito.

## GUARDE ESTAS INSTRUÇÕES.

**⚠️PRECAUÇÃO:** Utilize apenas baterias genuínas da Makita. A utilização de baterias não genuínas da Makita ou de baterias que foram alteradas, pode resultar no rebentamento da bateria provocando incêndios, ferimentos pessoais e danos. Além disso, anulará da garantia da Makita no que se refere à ferramenta e ao carregador Makita.

## Conselhos para manter a máxima vida útil da bateria

1. Carregue a bateria antes que esteja completamente descarregada. Pare sempre o funcionamento da ferramenta e carregue a bateria quando notar menos poder na ferramenta.
2. Nunca carregue uma bateria completamente carregada. Carregamento excessivo diminui a vida útil da bateria.
3. Carregue a bateria à temperatura ambiente de 10°C – 40°C. Deixe que uma bateria quente arrefeça antes de a carregar.

## DESCRIÇÃO FUNCIONAL

**⚠️PRECAUÇÃO:** Certifique-se sempre de que a ferramenta está desligada e a bateria foi retirada antes de regular ou verificar qualquer função na ferramenta.

## Instalação ou remoção da bateria

**⚠️PRECAUÇÃO:** Desligue sempre a ferramenta antes de colocar ou retirar a bateria.

**⚠️PRECAUÇÃO:** Segure firmemente a ferramenta e a bateria quando instalar ou remover a bateria. Se não segurar firmemente a ferramenta e a bateria pode fazer com que escorreguem das suas mãos resultando em danos na ferramenta e na bateria e ferimentos pessoais.

► Fig. 1: 1. Indicador vermelho 2. Botão 3. Bateria

Para retirar a bateria, deslize-a para fora da ferramenta enquanto desliza o botão na frente da bateria.

Para instalar a bateria, alinhe a lingueta da bateria com a ranhura no compartimento e deslize-a no lugar. Empurre-a até o fim para que a mesma encaixe no lugar com um clique. Se puder ver a parte vermelha no lado superior do botão, significa que não está completamente bloqueada.

**⚠️PRECAUÇÃO:** Instale sempre a bateria até ao fim, até deixar de ver o indicador vermelho. Caso contrário, a bateria poderá cair da ferramenta acidentalmente e provocar ferimentos em si mesmo ou em alguém próximo.

**⚠️PRECAUÇÃO:** Não instale a bateria à força. Se a bateria não deslizar facilmente é porque não foi colocada corretamente.

## Sistema de proteção da ferramenta/bateria

A ferramenta está equipada com um sistema de proteção da ferramenta/bateria. Este sistema corta automaticamente a corrente para o motor para aumentar a vida da ferramenta e da bateria. A ferramenta para automaticamente durante o funcionamento se a ferramenta ou bateria for colocada mediante uma das seguintes condições:

### Proteção contra sobrecarga

Quando a bateria é operada de forma a puxar uma corrente anormalmente elevada, a ferramenta para automaticamente sem qualquer indicação. Nesse caso, desligue a ferramenta e pare a operação que provocou a sobrecarga da ferramenta. Em seguida, volte a ligar a ferramenta para a reiniciar.

### Proteção contra sobreaquecimento

Quando a ferramenta ou a bateria estiver sobreaquecida, a ferramenta para automaticamente e a lâmpada pisca. Neste caso, deixe a ferramenta e a bateria arrefecerem antes de ligar novamente a ferramenta.

### Proteção contra descarga excessiva

Quando a capacidade da bateria não for suficiente, a ferramenta para automaticamente. Se ligar a ferramenta, o motor opera novamente mas para momentos depois. Neste caso, remova a bateria da ferramenta e carregue a bateria.



## Indicação da capacidade restante da bateria

### Apenas para baterias com indicador

► **Fig.2:** 1. Luzes indicadoras 2. Botão de verificação

Prima o botão de verificação na bateria para indicar a capacidade restante da bateria. As luzes indicadoras acendem durante alguns segundos.

Luzes indicadoras		Carga restante
Aceso	Desligada	
■ ■ ■ ■	□	75% a 100%
■ ■ ■ □	□	50% a 75%
■ ■ □ □	□ □	25% a 50%
■ □ □ □	□ □ □ □	0% a 25%

**NOTA:** Dependendo das condições de utilização e da temperatura ambiente, a indicação pode ser ligeiramente diferente da capacidade real.

## Selecionar a ação de corte

► **Fig.3:** 1. Alavanca de mudança da ação de corte

Esta ferramenta pode ser operada com uma ação de corte orbital ou em linha reta (cima e baixo). A ação de corte orbital impulsiona a serra para contornar para a frente no curso do corte e aumenta em grande parte a velocidade de corte.

Para mudar a ação de corte, rode a alavanca de mudança da ação de corte para a posição de ação de corte pretendida. Consulte a tabela para selecionar a ação de corte adequada.

Posição	Ação de corte	Aplicações
0	Ação de corte em linha reta	Para cortar aço macio, aço inoxidável e plásticos. Para cortes simples em madeira e madeira prensada.
I	Ação de corte orbital pequeno	Para cortar aço macio, alumínio e madeira dura.
II	Ação de corte orbital médio	Para cortar madeira e madeira prensada. Para cortes rápidos em alumínio e aço macio.
III	Ação de corte orbital grande	Para cortes rápidos em madeira e madeira prensada.

## Ação do interruptor

Para ligar a ferramenta, pressione o botão bloquear/desbloquear. A ferramenta muda para o modo de espera. Para pôr a ferramenta a funcionar, pressione o botão iniciar/parar no modo de espera. Para parar a ferramenta, pressione novamente o botão iniciar/parar. A ferramenta muda para o modo de espera. Para desligar a ferramenta, pressione o botão bloquear/desbloquear no modo de espera.

► **Fig.4:** 1. Botão bloquear/desbloquear 2. Botão iniciar/parar

**NOTA:** Se a ferramenta for deixada no modo de espera durante 10 segundos sem realizar qualquer operação, esta desliga automaticamente e a lâmpada apaga.

**NOTA:** Também pode parar e desligar a ferramenta ao pressionar o botão bloquear/desbloquear enquanto a ferramenta estiver a funcionar.

## Acender a lâmpada da frente

**⚠PRECAUÇÃO:** Não olhe para a luz ou para a fonte de iluminação diretamente.

Para ligar a lâmpada, pressione o botão bloquear/desbloquear. Para desligar a lâmpada, pressione novamente o botão bloquear/desbloquear.

**OBSERVAÇÃO:** Quando a ferramenta estiver sobreaquecida, a lâmpada fica intermitente. Arrefeça a ferramenta completamente antes de operá-la novamente.

**NOTA:** Utilize um pano seco para limpar a sujidade da lente da lâmpada. Tenha cuidado para não riscar a lente da lâmpada ou a iluminação pode ficar enfraquecida.

## Indicador de ajuste da velocidade

► **Fig.5:** 1. Indicador de ajuste da velocidade

A velocidade da ferramenta pode ser ajustada ao rodar o indicador de ajuste da velocidade. Pode obter a velocidade mais alta no 5 e a velocidade mais baixa no 1. Consulte a tabela para selecionar a velocidade apropriada para a peça de trabalho a ser cortada. Contudo, a velocidade apropriada poderá diferir com o tipo ou espessura da peça de trabalho. Em geral, as velocidades mais altas permitem-lhe cortar peças de trabalho mais rapidamente mas a vida útil da lâmina será reduzida.

Peça de trabalho	Número
Madeira	4 - 5
Aço macio	3 - 5
Aço inoxidável	3 - 4
Alumínio	3 - 5
Plástico	1 - 4

**OBSERVAÇÃO:** Quando mudar o indicador de velocidade de "5" para "1", rode o indicador para a esquerda. Não rode o indicador para a direita à força.

## Função eletrônica

A ferramenta está equipada com as funções eletrônicas para operação fácil.

- **Arranque suave**  
A função de arranque suave minimiza o choque de arranque e faz com que a ferramenta arranque suavemente.
- **Rotação sem carga suave**  
Para reduzir a vibração e alinhar facilmente a serra para contornar com a linha de corte, a ferramenta reduz automaticamente a velocidade de rotação até a ferramenta começar a cortar a peça de trabalho quando o indicador de ajuste da velocidade estiver definido no 2 ou superior. Logo que a ferramenta começa a cortar a peça de trabalho, a velocidade da ferramenta atinge a velocidade predefinida e mantém a velocidade até a ferramenta parar.

**NOTA:** Quando a temperatura estiver baixa, esta função poderá não estar disponível.

## Desativar a função de rotação sem carga suave

Para desativar a função de rotação sem carga suave, siga os passos seguintes.

1. Assegure que a ferramenta está desligada.
2. Regule o indicador de ajuste da velocidade para "1".
3. Pressione o botão bloquear/desbloquear para ligar a ferramenta.
4. Regule o indicador de ajuste da velocidade para "5" rodando-o e, de seguida, regule-o para "1" rodando-o novamente.

A lâmpada pisca duas vezes para indicar que a função de rotação sem carga suave está desativada. Para ativar novamente esta função, realize novamente o mesmo procedimento.

**NOTA:** Se a função de rotação sem carga suave estiver desativada, a lâmpada pisca duas vezes quando a ferramenta estiver ligada.

**NOTA:** Também pode desativar ou ativar a função de rotação sem carga suave ao mudar o indicador de ajuste da velocidade de "5" para "1" e mudando-o de "1" para "5".

## MONTAGEM

**⚠PRECAUÇÃO:** Certifique-se sempre de que a ferramenta está desligada e a bateria retirada antes de executar qualquer trabalho na ferramenta.

## Instalar ou remover a serra para contornar

**⚠PRECAUÇÃO:** Limpe sempre todas as aparas ou matérias estranhas que se tenham colado à serra para contornar e/ou ao suporte da serra. O não cumprimento desta recomendação, pode causar aperto insuficiente da serra resultando em ferimentos pessoais graves.

**⚠PRECAUÇÃO:** Não toque na serra para contornar nem na peça de trabalho imediatamente a seguir à operação. Podem estar extremamente quentes e provocar queimaduras na pele.

**⚠PRECAUÇÃO:** Fixe sempre firmemente a serra para contornar. Um aperto insuficiente da serra pode provocar a quebra da serra ou ferimentos pessoais graves.

**⚠PRECAUÇÃO:** Utilize apenas serras para contornar do tipo B. A utilização de serras sem ser do tipo B provoca um aperto insuficiente da serra, resultando em ferimentos pessoais graves.

**⚠PRECAUÇÃO:** Quando remove a serra para contornar, tenha cuidado para não magoar os dedos com o topo da lâmina ou as pontas da peça de trabalho.

Antes de instalar a serra para contornar, certifique-se de que a alavanca de fixação da lâmina está na posição desbloqueada.

Para instalar a serra para contornar, insira a lâmina (dentes virados para a frente) no suporte da lâmina. A alavanca move-se para a posição fixa e a lâmina fica bloqueada. Certifique-se de que a extremidade traseira da serra encaixa no rolo. Puxe a lâmina ligeiramente de modo a assegurar que a lâmina não cai durante a operação.

- **Fig.6:** 1. Suporte da serra para contornar  
2. Posição desbloqueada 3. Posição fixa

- **Fig.7:** 1. Suporte da serra para contornar 2. Serra para contornar

**⚠PRECAUÇÃO:** Se a alavanca não se mover para a posição fixa, a lâmina não está instalada corretamente. Não pressione a alavanca manualmente para a posição fixa. Poderá danificar a ferramenta.

Para remover a serra para contornar, empurre a alavanca para a frente até ao fim. Isto permite que a lâmina seja desbloqueada.

- **Fig.8:** 1. Suporte da serra para contornar 2. Serra para contornar

**NOTA:** Lubrifique o rolo ocasionalmente.

## Guardar a chave sextavada

- **Fig.9:** 1. Gancho 2. Chave sextavada

Quando não estiver a ser usada, guarde a chave sextavada como indicado na figura, para evitar que se perca. Primeiro, insira a chave sextavada dentro do orifício. Depois, empurre-a para dentro do gancho até ficar bloqueada.

# OPERAÇÃO

**⚠️ PRECAUÇÃO:** Segure sempre a base à face da peça de trabalho. O não cumprimento desta recomendação, pode provocar a quebra da serra para contornar resultando em ferimentos graves.

**⚠️ PRECAUÇÃO:** Avance a ferramenta muito lentamente quando cortar curvas ou rolos. Forçar a ferramenta pode provocar uma superfície de corte inclinada e a quebra da serra para contornar.

► Fig.10: 1. Linha de corte 2. Base

Ligue a ferramenta sem que a serra para contornar esteja em contacto com algum material e aguarde até que a serra atinja a velocidade máxima. Depois, encoste a base nivelada na peça de trabalho e mova suavemente a ferramenta para a frente ao longo da linha de corte marcada previamente.

## Corte em bisel

**⚠️ PRECAUÇÃO:** Certifique-se sempre de que a ferramenta está desligada e que a bateria foi retirada antes de inclinar a base.

Com a base inclinada, pode fazer cortes em bisel em qualquer ângulo entre 0° e 45° (esquerda ou direita).

► Fig.11

Solte o perno na parte de trás da base com a chave sextavada. Mova a base de forma a que o perno fique posicionado no centro da ranhura em cruz na base.

► Fig.12: 1. Chave sextavada 2. Perno 3. Base

Incline a base até obter o ângulo de bisel pretendido. A extremidade da caixa do motor indica o ângulo de bisel por graduação. Depois, aperte o perno para fixar a base.

► Fig.13: 1. Extremidade 2. Graduação

## Cortes à face dianteiros

► Fig.14: 1. Chave sextavada 2. Perno 3. Base

Solte o perno na parte de trás da base com a chave sextavada e deslize a base para trás até ao fim. Depois, aperte o perno para fixar a base.

## Recortes

Os recortes podem ser feitos por meio de um de dois métodos: "perfurar um orifício para início" ou "corte penetrante".

### Perfurar um orifício para início

► Fig.15

Para recortes internos sem um corte de entrada a partir de uma extremidade, fure previamente um orifício para início com 12 mm de diâmetro ou mais. Insira a serra para contornar dentro deste furo para iniciar o corte.

## Corte penetrante

► Fig.16

Não é necessário furar um orifício para início nem fazer um corte de entrada se fizer cuidadosamente o seguinte.

1. Incline a ferramenta para cima na extremidade dianteira da base com a ponta da serra para contornar posicionada logo acima da superfície da peça de trabalho.
2. Aplique pressão na ferramenta para que a extremidade dianteira da base não se mova quando ligar a ferramenta, e baixe suave e lentamente a extremidade traseira da ferramenta.
3. À medida que a serra para contornar fura a peça de trabalho, baixe lentamente a base da ferramenta em direção à superfície da peça de trabalho.
4. Complete o corte da forma normal.

## Acabamento das extremidades

► Fig.17

Para fazer o acabamento das extremidades ou para fazer ajustes dimensionais, passe a serra para contornar levemente ao longo das extremidades do corte.

## Corte de metal

Utilize sempre um refrigerante adequado (óleo de corte) quando cortar metal. O não cumprimento desta recomendação pode provocar um desgaste significativo da serra para contornar. A parte inferior da peça de trabalho pode ser oleada, em vez de utilizar refrigerante.

## Extração de poeira

### Acessório opcional

As operações de corte limpas podem ser realizadas ligando esta ferramenta a um aspirador Makita.

## Instalar ou remover a tampa contra poeira

Instale a tampa contra poeira conforme apresentado na figura.

► Fig.18: 1. Tampa contra poeira

Para remover a tampa contra poeira, pressione um lado da tampa e, de seguida, remova-a conforme apresentado na figura.

► Fig.19: 1. Tampa contra poeira

## Instalar ou remover o bocal para poeira

Insira o bocal para poeira até ao fim na ferramenta.

► Fig.20: 1. Bocal para poeira

Para remover o bocal para poeira, remova o bocal para poeira enquanto pressiona o botão no bocal para poeira.

► Fig.21: 1. Botão 2. Bocal para poeira

## Ligar a ferramenta ao aspirador

Ligue a mangueira do aspirador dentro ao bocal para poeira.

► Fig.22

## Guia paralela

### Acessório opcional

**⚠️ PRECAUÇÃO:** Certifique-se sempre de que a ferramenta está desligada e que a bateria foi retirada antes de instalar ou remover acessórios.

## Cortes retos

Quando cortar repetidamente larguras de corte com 160 mm ou menos, a utilização da guia paralela assegura cortes rápidos, limpos e retos.

► **Fig.23:** 1. Guia paralela (régua guia)

Para instalar, insira a guia paralela dentro do orifício retangular na lateral da base com a guia da régua virada para baixo. Deslize a guia paralela para a posição de largura de corte pretendida e aperte o perno para a prender.

► **Fig.24:** 1. Chave sextavada 2. Perno 3. Guia da régua 4. Guia paralela (régua guia)

## Cortes circulares

Quando cortar círculos ou arcos com 170 mm ou menos de raio, instale a guia paralela como se segue.

► **Fig.25:** 1. Guia paralela (régua guia)

1. Insira a guia paralela dentro do orifício retangular na lateral da base com a guia da régua virada para cima.

2. Insira o pino da guia circular através de qualquer um dos dois orifícios na guia da régua. Aparafuse o botão roscado no pino para o fixar.

► **Fig.26:** 1. Botão roscado 2. Guia da régua 3. Guia paralela (régua guia) 4. Pino

3. Deslize a guia paralela para o raio de corte pretendido e aperte o perno para a prender no lugar. Depois, mova a base para a frente até ao fim.

**NOTA:** Utilize sempre serra para contornar n.º B-17, B-18, B-26 ou B-27 quando cortar círculos ou arcos.

## Dispositivo anti-farpas

### Acessório opcional

**⚠️ PRECAUÇÃO:** O dispositivo anti-farpas não pode ser utilizado quando se realizam cortes em bisel.

► **Fig.27:** 1. Base 2. Dispositivo anti-farpas

Para obter cortes sem farpas, pode utilizar o dispositivo anti-farpas. Para instalar o dispositivo anti-farpas, mova a base da ferramenta para a frente até ao fim e insira-o a partir de trás da base da ferramenta.

Quando utilizar a chapa de cobertura, instale o dispositivo anti-farpas sobre a chapa de cobertura.

## Chapa de cobertura

### Acessório opcional

► **Fig.28:** 1. Chapa de cobertura 2. Base

Utilize a chapa de cobertura quando cortar folheados decorativos, plásticos, etc. Ela protege as superfícies sensíveis ou delicadas contra danos. Instale-a na parte de trás da base da ferramenta.

## Conjunto do adaptador da calha de guia

### Acessório opcional

Quando efetuar cortes com largura paralela e uniforme ou corte reto, a utilização da calha de guia e do adaptador da calha de guia asseguram a produção de cortes rápidos e limpos. Para instalar o adaptador da calha de guia, insira a barra da régua no orifício quadrado da base até ao fim. Fixe o perno firmemente com a chave sextavada.

► **Fig.29:** 1. Chave sextavada 2. Barra da régua

Insira a barra da régua no orifício quadrado do adaptador da calha de guia e aperte o parafuso firmemente.

Coloque o adaptador da calha de guia na calha de guia.

► **Fig.30:** 1. Adaptador da calha de guia 2. Calha de guia 3. Parafuso

**OBSERVAÇÃO:** Utilize sempre lâminas N.º B-8, B-13, B-16, B-17 ou 58 quando utilizar a calha de guia e o adaptador da calha de guia.

## MANUTENÇÃO

**⚠️ PRECAUÇÃO:** Certifique-se sempre de que a ferramenta se encontra desligada e de que a bateria foi retirada antes de executar qualquer inspeção ou manutenção.

**OBSERVAÇÃO:** Nunca utilize gasolina, benzina, diluente, álcool ou produtos semelhantes. Pode ocorrer a descoloração, deformação ou rachaduras.

Para manter a SEGURANÇA e a FIABILIDADE do produto, as reparações e qualquer outra manutenção ou ajuste devem ser levados a cabo pelos centros de assistência Makita autorizados ou pelos centros de assistência de fábrica, utilizando sempre peças de substituição Makita.

# ACESSÓRIOS OPCIONAIS

**⚠️ PRECAUÇÃO:** Estes acessórios ou peças são recomendados para utilização com a ferramenta Makita especificada neste manual. A utilização de outros acessórios ou peças pode ser perigosa para as pessoas. Utilize apenas acessórios ou peças para os fins indicados.

Se necessitar de informações adicionais relativas a estes acessórios, solicite-as ao seu centro de assistência Makita.

- Serras para contornar
- Chave sextavada 3
- Conjunto da guia paralela (régua guia)
- Conjunto do adaptador da calha de guia
- Dispositivo anti-farpas
- Mangueira (para o aspirador)
- Chapa de cobertura
- Bocal para poeira
- Tampa contra poeira
- Bateria e carregador genuínos da Makita

**NOTA:** Alguns itens da lista podem estar incluídos na embalagem da ferramenta como acessórios padrão. Eles podem variar de país para país.

## SPECIFIKATIONER

Model:		JV102D
Slaglængde		23 mm
Antal slag pr. minut		800 - 3.000 min <sup>-1</sup>
Klingetype		Type B
Maks. skærekapacitet	Træ	90 mm
	Almindeligt stål	10 mm
	Aluminium	20 mm
Længde i alt		237 mm
Mærkespænding		D.C. 10,8 V - 12 V maks.
Nettovægt		1,8 - 1,9 kg

- På grund af vores kontinuerlige forsknings- og udviklingsprogrammer kan hosstående specifikationer blive ændret uden varsel.
- Specifikationer kan variere fra land til land.
- Vægten kan være anderledes afhængigt af tilbehøret, inklusive akkuen. Den letteste og tungeste kombination i henhold til EPTA-procedure 01/2014 er vist i tabellen.

## Anvendelig akku og oplader

Akku	BL1015 / BL1016 / BL1020B / BL1021B / BL1040B / BL1041B
Oplader	DC10SA / DC10SB / DC10WC / DC10WD / DC18RE

- Nogle af de akkuer og opladere, der er angivet ovenfor, er muligvis ikke tilgængelige, afhængigt af hvilket område du bor i.

**⚠ ADVARSEL: Brug kun de akkuer og opladere, der er angivet ovenfor. Brug af andre akkuer og opladere kan medføre personskade og/eller brand.**

## Tilsigtet brug

Maskinen er beregnet til savning i træ, plast og metal-materialer. Takket være det store udvalg af tilbehør og savklinger kan maskinen anvendes til mange formål, og den er yderst velegnet til buede eller cirkulære snit.

## Lyd

Det typiske A-vægtede støjniveau bestemt i overensstemmelse med EN62841-2-11:  
 Lydtryksniveau ( $L_{pA}$ ): 85 dB (A)  
 Lydeffektniveau ( $L_{WA}$ ): 96 dB (A)  
 Usikkerhed (K): 3 dB (A)

**BEMÆRK:** De(n) angivne støjemissionsværdi(er) er målt i overensstemmelse med en standardtestmetode og kan anvendes til at sammenligne en maskine med en anden.

**BEMÆRK:** De(n) angivne støjemissionsværdi(er) kan også anvendes i en præliminær eksponeringsvurdering.

**⚠ ADVARSEL: Bær høreværn.**

**⚠ ADVARSEL: Støjemissionen under den faktiske anvendelse af maskinen kan være forskellig fra de(n) angivne værdi(er), afhængigt af den måde hvorpå maskinen anvendes, især den type arbejdsemne der behandles.**

**⚠ ADVARSEL: Sørg for at identificere de sikkerhedsforskrifter til beskyttelse af operatøren, som er baseret på en vurdering af eksponering under de faktiske brugsforhold (med hensyntagen til alle dele i brugscyklussen, f.eks. de gange, hvor maskinen er slukket, og når den kører i tomgang i tilgift til afbrydertiden).**

## Vibration

Vibrationens totalværdi (tre-aksial vektorsum) bestemt i overensstemmelse med EN62841-2-11:  
 Arbejdstilstand: skæring af brædder  
 Vibrationsafgivelse ( $a_{h,B}$ ): 11,5 m/s<sup>2</sup>  
 Usikkerhed (K): 1,5 m/s<sup>2</sup>  
 Arbejdstilstand: skæring af tynde metalplader  
 Vibrationsafgivelse ( $a_{h,M}$ ): 9,5 m/s<sup>2</sup>  
 Usikkerhed (K): 1,5 m/s<sup>2</sup>

**BEMÆRK:** De(n) angivne totalværdi(er) for vibration er målt i overensstemmelse med en standardtestmetode og kan anvendes til at sammenligne en maskine med en anden.

**BEMÆRK:** De(n) angivne totalværdi(er) for vibration kan også anvendes i en præliminær eksponeringsvurdering.

**⚠ ADVARSEL:** Vibrationsemissionen under den faktiske anvendelse af maskinen kan være forskellig fra de(n) angivne værdi(er), afhængigt af den måde hvorpå maskinen anvendes, især den type arbejdsemne der behandles.

**⚠ ADVARSEL:** Sørg for at identificere de sikkerhedsforskrifter til beskyttelse af operatøren, som er baseret på en vurdering af eksponering under de faktiske brugsforhold (med hensyntagen til alle dele i brugscyklussen, f.eks. de gange, hvor maskinen er slukket, og når den kører i tomgang i tilgift til afbrydertiden).

## EU-overensstemmelseserklæring

### Kun for lande i Europa

EU-overensstemmelseserklæringen er inkluderet som Bilag A i denne brugsanvisning.

## SIKKERHEDSADVARSLER

### Almindelige sikkerhedsregler for el-værktøj

**⚠ ADVARSEL:** Læs alle de sikkerhedsadvarsler, instruktioner, illustrationer og specifikationer, der følger med denne maskine. Forsømmelse af at overholde alle nedenstående instruktioner kan medføre elektrisk stød, brand og/eller alvorlig personskade.

### Gem alle advarsler og instruktioner til fremtidig reference.

Ordet "el-værktøj" i advarslerne henviser til det netforsyede (netledning) el-værktøj eller batteriforsyede (akku) el-værktøj.

### Sikkerhedsadvarsler for akku stiksav

1. Hold maskinen i de isolerede håndtagsflader, når der udføres et arbejde, hvor det skærende tilbehør kan komme i kontakt med skjulte ledninger. Skærende tilbehør, som kommer i kontakt med en strømførende ledning, kan bevirke, at udsatte metaldele på maskinen bliver strømførende, hvorved operatøren kan få elektrisk stød.
2. Anvend spændestykker eller en anden praktisk måde til at fastspænde og støtte arbejdsemnet til en stabil flade. Hvis arbejdsemnet holdes med hånden eller støttes mod kroppen, vil det være ustabil, hvilket kan medføre, at De mister kontrollen over det.
3. Anvend altid sikkerhedsbriller eller beskyttelsesbriller. Almindelige briller eller solbriller er IKKE sikkerhedsbriller.
4. Undgå at save i søm. Tjek arbejdsemnet for søm, og fjern dem, før arbejdet påbegyndes.
5. Sav ikke i for store arbejdsemner.
6. Tjek for tilstrækkelig frigang under arbejdsemnet, før der saves, så klingens ikke rammer gulvet, arbejdsbænken eller lignende.
7. Hold godt fast i maskinen.
8. Sørg for, at klingens ikke er i kontakt med arbejdsemnet, før der trykkes på afbryderen.
9. Hold hænderne væk fra bevægelige dele.
10. Lad ikke maskinen køre. Anvend kun maskinen, når den holdes i hænderne.
11. Sluk altid, og vent, indtil klingens står helt stille, før klingens fjernes fra arbejdsemnet.
12. Rør ikke ved klingens eller arbejdsemnet umiddelbart efter anvendelse. De kan begge være meget varme og forårsage forbrænding af huden.
13. Anvend ikke maskinen unødigt uden belastning.
14. Nogle materialer indeholder kemikalier, der kan være giftige. Sørg for at undgå at indånde støv samt kontakt med huden. Overhold materialeleverandørens sikkerhedsdata.
15. Anvend altid korrekt støvmaske/åndedrætsværn i henhold til det materiale og den anvendelse, De arbejder med.

## GEM DISSE FORSKRIFTER.

**⚠ ADVARSEL:** LAD IKKE bekvemmelighed eller kendskab til produktet (opnået gennem gentagen brug) forhindre, at sikkerhedsforskrifterne for produktet nøje overholdes. MISBRUG eller forsømmelse af at følge de i denne brugsvejledning givne sikkerhedsforskrifter kan medføre alvorlig personskade.

### Vigtige sikkerhedsinstruktioner for akkuen

1. Læs alle instruktioner og advarselsmærkater på (1) akku-opladeren, (2) akkuen og (3) produktet, som anvender akku.
2. Lad være med at skille akkuen ad.
3. Hold straks op med anvendelsen, hvis brugstiden er blevet stærkt afkortet. Fortsat anvendelse kan resultere i risiko for overophedning, forbrændinger og endog eksplosion.
4. Hvis De har fået elektrolytvæske i øjnene, skal De straks skylle den ud med rent vand og derefter øjeblikkeligt søge lægehjælp. I modsat fald kan De miste synet.
5. Vær påpasselig med ikke at komme til at kortslutte akkuen:
  - (1) Rør ikke ved terminalerne med noget ledende materiale.
  - (2) Undgå at opbevare akkuen i en beholder sammen med andre genstande af metal, for eksempel søm, mønter og lignende.
  - (3) Udsæt ikke akkuen for vand eller regn.

Kortslutning af akkuen kan forårsage en kraftig øgning af strømmen, overophedning, mulige forbrændinger og endog værktøjstop.

6. Opbevar ikke værktøjet og akkuen på et sted, hvor temperaturen kan nå eller overstige 50 °C.
7. Lad være med at brænde akkuen, selv ikke i tilfælde, hvor den har lidt alvorlig skade eller er fuldstændig udtjent. Akkuen kan eksplodere, hvis man forsøger at brænde den.
8. Lad være med at brænde akkuen eller udsætte den for stød.
9. Anvend ikke en beskudiget akku.
10. De indbyggede litium-ion-batterier er underlagt lovkrav vedrørende farligt gods. Ved kommerciel transport, f.eks. af tredjeparts transportselskaber, skal særlige krav til forpakning og mærkning overholdes. Ved forberedelse af udstyret til forsendelse skal du kontakte en ekspert i farligt gods. Overhold også eventuel mere detaljeret national lovgivning. Tape eller tildæk åbne kontakter, og pak batteriet på en måde, så det ikke kan flytte sig rundt i pakningen.
11. Følg de lokale love vedrørende bortskaffelsen af batterier.
12. Brug kun batterierne med de produkter, som Makita specificerer. Hvis batterierne installeres i ikke-kompatible produkter, kan det medføre brand, kraftig varme, eksplosion eller udsivning af elektrolyt.

## GEM DENNE BRUGSANVISNING.

**⚠FORSIGTIG:** Brug kun originale batterier fra Makita. Brug af uoriginale Makita-batterier, eller batterier som er blevet ændret, kan muligvis medføre brud på batteriet, hvilket kan forårsage brand, personskade eller beskadigelse. Det ugyldiggør også Makita-garantien for Makita-maskinen og opladeren.

## Tips til opnåelse af maksimal akku-levetid

1. Oplad akkuen, inden den er helt afladet. Stop altid værktøjet, og oplad akkuen, hvis De bemærker, at værktøjeffekten er aftagende.
2. Genoplad aldrig en fuldt opladet akku. Overopladning vil afkorte akkuens levetid.
3. Oplad akkuen ved stuetemperatur ved 10 °C - 40 °C. Lad altid en varm akku få tid til at køle af, inden den oplades.

## FUNKTIONSBESKRIVELSE

**⚠FORSIGTIG:** Sørg altid for at maskinen er slukket, og at akkuen er taget ud, før der udføres justering eller kontrol af funktioner på maskinen.

## Isætning eller fjernelse af akkuen

**⚠FORSIGTIG:** Sluk altid for værktøjet, før De monterer eller fjerner akkuen.

**⚠FORSIGTIG:** Hold værktøjet og akkuen fast ved montering eller fjernelse af akkuen. Hvis De ikke holder værktøjet og akkuen fast, kan de glide ud af hænderne på Dem og forårsage beskadigelse af værktøjet og akkuen eller personskade.

► Fig. 1: 1. Rød indikator 2. Knap 3. Akku

Akkuen fjernes ved, at De trækker den ud af værktøjet, idet De skyder knappen på forsiden af akkuen i stilling.

Akkuen monteres ved, at De sætter tungen på akkuen ud for noten i kabinettet og lader den glide på plads. Sæt den hele vejen ind, så den låses på plads med et lille klik. Hvis den røde indikator på oversiden af knappen er synlig, betyder det, at den ikke er tilstrækkeligt låst.

**⚠FORSIGTIG:** Monter altid akkuen helt, indtil den røde indikator ikke længere er synlig. Hvis dette ikke gøres, kan den falde ud af værktøjet ved et uheld, hvorved De selv eller personer i nærheden kan komme til skade.

**⚠FORSIGTIG:** Brug ikke magt ved montering af akkuen. Hvis akkuen ikke glider på plads uden problemer, betyder det, at den ikke sættes i på korrekt vis.

## Beskyttelsessystem til værktøj/batteri

Maskinen er udstyret med et beskyttelsessystem til maskinen/batteriet. Dette system afbryder automatisk strømmen til motoren for at forlænge maskinens og batteriets levetid. Maskinen stopper automatisk under brugen, hvis maskinen eller batteriet udsættes for et af følgende forhold:

## Overbelastningsbeskyttelse

Hvis batteriet bruges på en måde, der får det til at trække en unormalt høj strøm, stopper maskinen automatisk uden indikation. Sluk i så fald for maskinen, og stop den anvendelse, der medførte overbelastningen af maskinen. Tænd derefter for maskinen for at starte igen.

## Beskyttelse mod overophedning

Hvis maskinen eller batteriet er overophedet, stopper maskinen automatisk, og lampen blinker. Lad i så fald maskinen og batteriet køle ned, før der tændes for maskinen igen.

## Beskyttelse mod overafledning

Hvis batteriladningen ikke er tilstrækkelig, stopper maskinen automatisk. Hvis du tænder for maskinen, kører motoren igen, men stopper i løbet af kort tid. Tag i så fald batteriet ud af maskinen, og lad batteriet op.



## Indikation af den resterende batteriladning

### Kun til akkuer med indikatoren

► **Fig.2:** 1. Indikatorlamper 2. Kontrolknap

Tryk på kontrolknappen på akkuen for at få vist den resterende batteriladning. Indikatorlampen lyser i nogle sekunder.

Indikatorlamper		Resterende kapacitet
Tændt	Slukket	
■ ■ ■ ■		75% til 100%
■ ■ ■ □		50% til 75%
■ ■ □ □		25% til 50%
■ □ □ □		0% til 25%

**BEMÆRK:** Afhængigt af brugsforholdene og den omgivende temperatur kan indikationen afvige en smule fra den faktiske ladning.

## Valg af skæremåde

► **Fig.3:** 1. Omskifter til valg af skæremåde

Denne maskine kan anvendes med skæremåde med pendulsving eller lige bevægelse (op og ned). Ved skæremåde med pendulsving skubbes stiksavklingen fremad ved skæreanslaget, hvilket kraftigt forøger skærehastigheden.

For at ændre skæremådeskal De blot dreje omskifteren til valg af skæremåde til positionen for den ønskede skæremåde. Se i tabellen for at vælge den bedste skæremåde.

Position	Skæremåde	Anvendelser
0	Lige skæremåde	Til skæring i almindeligt stål, rustfrit stål og plast. Til rene snit i træ og krydsfiner.
I	Skæremåde med lille pendulsving	Til skæring i almindeligt stål, aluminium og hårdt træ.
II	Skæremåde med middelstort pendulsving	Til skæring i træ og krydsfiner. Til hurtig skæring i aluminium og almindeligt stål.
III	Skæremåde med stort pendulsving	Til hurtig skæring i træ og krydsfiner.

## Afbryderbetjening

Tryk på lås/oplås-knappen for at tænde for maskinen. Maskinen går i standbytilstand. Maskinen startes ved at trykke på start/stop-knappen i standbytilstand. Tryk på start/stop-knappen igen for at stoppe maskinen. Maskinen går i standbytilstand. Tryk på lås/oplås-knappen i standbytilstand for at slukke for maskinen.

► **Fig.4:** 1. Lås/oplås-knap 2. Start/stop-knap

**BEMÆRK:** Hvis maskinen efterlades i standbytilstand i 10 sekunder uden nogen betjening, slukker maskinen automatisk, og lampen går ud.

**BEMÆRK:** Du kan også stoppe maskinen og slukke for den ved at trykke på lås/oplås-knappen, mens maskinen kører.

## Tænding af lampen foran

**⚠FORSIGTIG:** Kig aldrig direkte på lyskilden. Lad ikke lyset falde i Deres øjne.

Tryk på lås/oplås-knappen for at tænde for lampen. Tryk på lås/oplås-knappen igen for at slukke for lampen.

**BEMÆRKNING:** Hvis maskinen bliver overophedet, blinker lampen. Lad i så fald maskinen køle helt ned, før maskinen betjenes igen.

**BEMÆRK:** Brug en tør klud til at tørre snavset af lampens linse. Pas på ikke at ride lampens linse, da dette muligvis kan dæmpe belysningen.

## Hastighedsvælger

► **Fig.5:** 1. Hastighedsvælger

Maskinens hastighed kan ændres ved at dreje hastighedsvælgeren. Du kan opnå den største hastighed ved 5 og den laveste hastighed ved 1.

Se i tabellen for at vælge den rigtige hastighed til det arbejdsemne, der skal skæres i. Den rigtige hastighed kan dog afhænge af arbejdsemnets type eller tykkelse. Med en højere hastighed kan du som regel skære hurtigere i arbejdsemner, men klingens levetid reduceres.

Arbejdsemne	Tal
Træ	4 - 5
Almindeligt stål	3 - 5
Rustfrit stål	3 - 4
Aluminium	3 - 5
Plastik	1 - 4

**BEMÆRKNING:** Når hastighedsvælgeren flyttes fra "5" til "1", skal du dreje vælgeren mod uret. Brug ikke magt til at dreje vælgeren med uret.

## Elektronisk funktion

Maskinen er udstyret med elektroniske funktioner for nem betjening.

- Blød start  
Funktionen til blød start minimerer stødet ved start og får maskinen til at starte blødt.
- Blød rotation uden belastning  
For at reducere vibrationen og nemt justere stiksavklingen i forhold til skærelinjen reducerer maskinen automatisk rotationshastigheden, indtil maskinen begynder at skære i arbejdsemnet, når hastighedsvælgeren er indstillet til 2 eller højere. Når maskinen begynder at skære i arbejdsemnet, når maskinens hastigheden den forudindstillede hastighed, og den opretholder hastigheden, indtil maskinen stopper.

**BEMÆRK:** Hvis temperaturen er lav, er denne funktion muligvis ikke tilgængelig.

## Deaktivering af funktionen til blød rotation uden belastning

Følg nedenstående trin, hvis du vil deaktivere funktionen til blød rotation uden belastning.

1. Kontroller, at maskinen er slukket.
2. Indstil hastighedsvælgeren til "1".
3. Tryk på lås/oplås-knappen for at tænde for maskinen.
4. Indstil hastighedsvælgeren til "5" ved at dreje den, og indstil den derefter til "1" ved at dreje den tilbage.

Lampen blinker to gange for at angive, at funktionen til blød rotation uden belastning er deaktiveret. Benyt den samme fremgangsmåde igen for at aktivere funktionen igen.

**BEMÆRK:** Hvis funktionen til blød rotation uden belastning er deaktiveret, blinker lampen to gange, når der tændes for maskinen.

**BEMÆRK:** Du kan også deaktivere eller aktivere funktionen til blød rotation uden belastning ved at dreje hastighedsvælgeren fra "5" til "1" og dreje den fra "1" til "5".

## SAMLING

**⚠FORSIGTIG:** Sørg altid for at maskinen er slukket, og at akkuen er taget ud, før der udføres noget arbejde på maskinen.

## Montering eller afmontering af stiksavklingen

**⚠FORSIGTIG:** Fjern altid spån eller fremmedlegemer, der måtte klæbe til stiksavklingen og/eller klingeholderen. Forsømmelse af dette kan resultere i utilstrækkelig tilspænding af klingens, hvilket kan føre til alvorlig personskade.

**⚠FORSIGTIG:** Undlad at berøre stiksavklingen eller arbejdsemnet umiddelbart efter anvendelse. De kan være meget varme og forårsage forbrænding af huden.

**⚠FORSIGTIG:** Fastgør altid stiksavklingen forsvarligt. Utilstrækkelig tilspænding af klingens kan medføre, at klingens knækker, eller alvorlig personskade.

**⚠FORSIGTIG:** Anvend kun stiksavklinger af type B. Brug af andre klinger end type B medfører utilstrækkelig tilspænding af klingens, hvilket kan føre til alvorlig personskade.

**⚠FORSIGTIG:** Pas på ikke at skære fingrene på toppen af klingens eller spidserne af arbejdsemnet, når du fjerner stiksavklingen.

Før stiksavklingen monteres, skal du sikre dig, at håndtaget til klingefastholderen er i den frigjorte position. For at montere stiksavklingen indsættes klingens (med tænderne vendt fremad) i klingeholderen. Håndtaget flytter sig til den fastgjorte position, og klingens låses fast. Sørg for, at bagkanten af klingens passer ind i rullen. Træk let i klingens for at sikre dig, at klingens ikke falder af under brugen.

► **Fig.6:** 1. Stiksavklingeholder 2. Frigjort position  
3. Fastgjort position

► **Fig.7:** 1. Stiksavklingeholder 2. Stiksavklinge

**⚠FORSIGTIG:** Hvis håndtaget ikke flytter sig til den fastgjorte position, er klingens ikke monteret helt. Undlad at trykke håndtaget i den fastgjorte position med hånden. Dette kan beskadige maskinen.

For at fjerne stiksavklingen trykkes håndtaget så langt frem, som det kan komme. Dette gør det muligt at frigøre klingens.

► **Fig.8:** 1. Stiksavklingeholder 2. Stiksavklinge

**BEMÆRK:** Smør regelmæssigt rullen.

## Opbevaring af unbrakonøgle

► **Fig.9:** 1. Krog 2. Unbrakonøgle

Når unbrakonøglen ikke bruges, opbevares den som vist i figuren for at forhindre, at den bliver væk. Indsæt først unbrakonøglen i hullet. Skub den derefter ind i krogen, indtil den er låst.

## ANVENDELSE

**⚠FORSIGTIG:** Sørg altid for, at sålen flugter med arbejdsemnet. Forsømmelse af dette kan resultere i, at stiksavklingen knækker, hvilket kan føre til alvorlig personskade.

**⚠FORSIGTIG:** Før maskinen meget langsomt fremad, når De skærer kurver eller ruller. Brug af magt på maskinen kan medføre en skæv skæreflade, og at stiksavklingen knækker.

► **Fig.10:** 1. Skærelinje 2. Så

Tænd for maskinen, uden at stiksavklingen har nogen kontakt, og vent, til klingens når fuld hastighed. Placer derefter sålen fladt mod arbejdsemnet, og før forsigtigt maskinen fremad langs den tidligere markerede skærelinje.

## Skråsnit

**⚠FORSIGTIG:** Sørg altid for, at der er slukket for maskinen, og at akkuen er fjernet, før sålen vippes.

Når sålen er vippet, kan De foretage skråsnit i enhver vinkel mellem 0° og 45° (venstre eller højre).

► **Fig.11**

Løsn bolten bag på sålen ved hjælp af unbrakonøglen. Flyt sålen, så bolten sidder midt på det krydsformede hul i sålen.

► **Fig.12:** 1. Unbrakonøgle 2. Bolt 3. Så

Vip sålen, til den ønskede skråvinkel er indstillet. Kanten af motorhuset viser skråvinklen med gradinddelinger. Stram derefter bolten for at fastgøre sålen.

► **Fig.13:** 1. Kant 2. Gradinddeling

## Snit i niveau med fronten

► **Fig.14:** 1. Unbrakonøgle 2. Bolt 3. Så

Løsn bolten bag på sålen ved hjælp af unbrakonøglen, og skub sålen hele vejen bagud. Stram derefter bolten for at fastgøre sålen.

## Udskæringer

Udskæringer kan foretages ved en af to metoder: "Boring af et starthul" eller "Stikskæring".

### Boring af et starthul

► Fig.15

For interne udskæringer uden et indløbsnit fra kanten bores et starthul med en diameter på 12 mm eller derover. Indfør stiksavklingen i hullet for at starte snittet.

### Stikskæring

► Fig.16

De behøver ikke at bore et starthul eller at foretage et indløbsnit, hvis De forsigtigt gør som følger.

1. Vip værktøjet op på forkanten af sålen med spidsen af stiksavklingen placeret lige over overfladen af arbejdsemnet.
2. Tryk på maskinen, så forkanten af sålen ikke bevæger sig, når De tænder for maskinen, og sænk langsomt og forsigtigt bagenden af maskinen.
3. Når stiksavklingen trænger ind i arbejdsemnet, sænkes maskinens sålen langsomt ned på arbejdsemnets overflade.
4. Fuldfør snittet på normal vis.

## Færdiggørelse af kanter

► Fig.17

Hvis De vil beskære kanter eller foretage størrelsesjusteringer, skal De føre stiksavklingen forsigtigt langs de skårne kanter.

## Skæring i metal

Ved skæring i metal bør De altid anvende et egnet kølemiddel (skæreoile). Hvis De ikke gør det, medfører det et betydeligt slid på stiksavklingen. Undersiden af arbejdsemnet kan smøres med fedt i stedet for at bruge et kølemiddel.

## Fjernelse af støv

### Ekstraudstyr

Der kan udføres rene skæringer ved at tilslutte denne maskine til en Makita støvsuger.

## Montering eller afmontering af støvdækslet

Monter støvdækslet som vist i figuren.

► Fig.18: 1. Støvdæksel

For at fjerne støvdækslet skal du trykke på den ene side af dækslet og derefter fjerne det som vist i figuren.

► Fig.19: 1. Støvdæksel

## Montering eller afmontering af støvmundstykket

Sæt støvmundstykket hele vejen ind i maskinen.

► Fig.20: 1. Støvmundstykke

For at fjerne støvmundstykket trækkes støvmundstykket ud, idet der trykkes på knappen på støvmundstykket.

► Fig.21: 1. Knap 2. Støvmundstykke

## Tilslutning af maskinen til støvsugeren

Slut støvsugerens slange til støvmundstykket.

► Fig.22

## Parallelanslag

### Ekstraudstyr

**⚠FORSIGTIG: Sørg altid for, at der er slukket for maskinen, og at akkuen er fjernet, før tilbehør monteres eller fjernes.**

## Lige snit

Hvis De gentagne gange foretager snit af bredder på 160 mm eller mindre, sikrer brug af parallelanslaget hurtige, rene og lige snit.

► Fig.23: 1. Parallelanslag (støtteføringssæt)

For montering indsættes parallelanslaget i det firkantede hul på siden af sålen med føringssættet vendende nedad. For parallelanslaget til positionen for den ønskede skærebredde, og stram derefter bolten for at fastgøre det.

► Fig.24: 1. Unbrakonøgle 2. Bolt 3. Føringssæt 4. Parallelanslag (støtteføringssæt)

## Cirkulære snit

Ved udskæring af cirkler eller buer med en radius på 170 mm eller derunder monteres parallelanslaget på følgende måde.

► Fig.25: 1. Parallelanslag (støtteføringssæt)

1. Indsæt parallelanslaget i det firkantede hul på siden af sålen med føringssættet vendende opad.
2. Indsæt den cirkulære snit føringssætt gennem et af de to huller på føringssættet. Skru knoppen med gevindet på stiften for at fastgøre stiften.
- Fig.26: 1. Knop med gevind 2. Føringssæt 3. Parallelanslag (støtteføringssæt) 4. Stift
3. Før parallelanslaget til positionen for den ønskede skæreradius, og stram bolten for at fastgøre det. Flyt derefter sålen helt frem.

**BEMÆRK:** Brug altid stiksavklinger nr. B-17, B-18, B-26 eller B-27 ved skæring af cirkler eller buer.

## Antisplint-anordning

### Ekstraudstyr

**⚠FORSIGTIG: Antisplint-anordningen kan ikke anvendes, når der foretages skråsnit.**

► Fig.27: 1. Så 2. Antisplint-anordning

For splintfri snit kan antisplint-anordningen benyttes. For at montere antisplint-anordningen skal du flytte maskinens fod hele vejen frem og montere den fra bagsiden af maskinens sål. Hvis du bruger dækpladen, skal du montere antisplint-anordningen på dækpladen.

## Dækplade

### Ekstraudstyr

► Fig.28: 1. Dækplade 2. Så

Brug dækpladen ved skæring af dekorativ finér, plastik osv. Det beskytter følsomme eller skrøbelige overflader mod beskadigelse. Monter den bag på maskinens sål.

## Styreskinneadaptersæt

### Ekstraudstyr

Når der skæres parallelt og med ens bredde eller ved lige snit, sikrer brug af styreskinne og styreskinneadapteren frembringelse af hurtige og rene snit. For at montere styreskinneadapteren skal du indsætte styrestangen så langt ind i det firkantede hul ind på maskinens sål, som den kan komme. Fastgør bolten forsvarligt med unbrakonøglen.

► **Fig.29:** 1. Unbrakonøgle 2. Styrestang

Indsæt styrestangen i det firkantede hul ind på styreskinneadapteren, og fastgør skruen forsvarligt. Placer styreskinneadapteren på styreskinne.

► **Fig.30:** 1. Styreskinneadapter 2. Styreskinne 3. Skruer

**BEMÆRKNING:** Brug altid klinger nr. B-8, B-13, B-16, B-17 eller 58 ved brug af styreskinne eller styreskinneadapteren.

## VEDLIGEHOOLDELSE

**⚠FORSIGTIG:** Vær altid sikker på, at værktøjet er slukket, og at akkuen er taget ud, inden De begynder at udføre inspektion eller vedligeholdelse.

**BEMÆRKNING:** Anvend aldrig benzin, rensebenzin, fortynder, alkohol og lignende. Det kan medføre misfarvning, deformation eller revner.

For at opretholde produktets SIKKERHED og PÅLIDELIGHED må reparation, vedligeholdelse eller justering kun udføres af et autoriseret Makita servicecenter eller fabrikkervicecenter med anvendelse af Makita reservedele.

## EKSTRAUDSTYR

**⚠FORSIGTIG:** Det følgende tilbehør og ekstraudstyr er anbefalet til brug med Deres Makita maskine, der er beskrevet i denne brugsanvisning. Anvendelse af andet tilbehør eller ekstraudstyr kan udgøre en risiko for personskade. Anvend kun tilbehør og ekstraudstyr til det beskrevne formål.

Hvis De behøver hjælp ved valg af tilbehør eller ønsker yderligere informationer, bedes De kontakte Deres lokale Makita servicecenter.

- Stiksavklinger
- Unbrakonøgle 3
- Parallellanslagssæt (støtteføringsssæt)
- Styreskinneadaptersæt
- Antisplint-anordning
- Slange (til støvsuger)
- Dækplade
- Støvmundstykke
- Støvdæksel
- Original Makita-akku og oplader

**BEMÆRK:** Nogle ting på denne liste kan være inkluderet i værktøjspakken som standardtilbehør. Det kan være forskellige fra land til land.

## ΠΡΟΔΙΑΓΡΑΦΕΣ

<b>Μοντέλο:</b>	<b>JV102D</b>	
Μήκος διαδρομής	23 mm	
Διαδρομές ανά λεπτό	800 - 3.000 min <sup>-1</sup>	
Τύπος λεπίδας	Τύπος B	
Μέγιστες ικανότητες κοπής	Ξύλο	90 mm
	Μαλακό ασάλι	10 mm
	Αλουμίνιο	20 mm
Συνολικό μήκος	237 mm	
Ονομαστική τάση	D.C. 10,8 V - 12 V μέγ.	
Καθαρό βάρος	1,8 - 1,9 kg	

- Λόγω του συνεχιζόμενου προγράμματος έρευνας και ανάπτυξης, οι προδιαγραφές αυτές υπόκεινται σε αλλαγές χωρίς προειδοποίηση.
- Τα τεχνικά χαρακτηριστικά μπορεί να διαφέρουν από χώρα σε χώρα.
- Το βάρος μπορεί να διαφέρει ανάλογα με τα προσαρτήματα, συμπεριλαμβάνοντας την κασέτα μπαταριών. Ο ελαφρύτερος και ο βαρύτερος συνδυασμός, σύμφωνα με τη διαδικασία ΕΡΤΑ 01/2014, παρουσιάζονται στον πίνακα.

## Ισχύουσα κασέτα μπαταριών και φορτιστής

Κασέτα μπαταρίας	BL1015 / BL1016 / BL1020B / BL1021B / BL1040B / BL1041B
Φορτιστής	DC10SA / DC10SB / DC10WC / DC10WD / DC18RE

- Ορισμένες από τις κασέτες και τους φορτιστές μπαταριών που αναγράφονται παραπάνω ίσως να μην είναι διαθέσιμοι, ανάλογα με την τοποθεσία κατοικίας σας.

**⚠ ΠΡΟΕΙΔΟΠΟΙΗΣΗ:** Να χρησιμοποιείτε μόνο τις κασέτες μπαταριών και τους φορτιστές που παρατίθενται ανωτέρω. Η χρήση οποιασδήποτε άλλης κασέτας μπαταριών ή φορτιστή μπορεί να προκαλέσει τραυματισμό ή/και πυρκαγιά.

## Προοριζόμενη χρήση

Το εργαλείο προορίζεται για πρίονισμα ξύλινων, πλαστικών και μεταλλικών υλικών. Ως αποτέλεσμα του εκτεταμένου προγράμματος εξαρτημάτων και πριονιού, το εργαλείο μπορεί να χρησιμοποιείται για πολλούς σκοπούς και είναι πολύ κατάλληλο για καμπύλες ή κυκλικές κοπές.

## Θόρυβος

Το τυπικό Α επίπεδο καταμετρημένου θορύβου καθορίζεται σύμφωνα με το EN62841-2-11:

Στάθμη ηχητικής πίεσης ( $L_{pA}$ ): 85 dB (A)

Στάθμη ηχητικής ισχύος ( $L_{WA}$ ): 96 dB (A)

Αβεβαιότητα (K): 3 dB (A)

**ΠΑΡΑΤΗΡΗΣΗ:** Η δηλωμένη τιμή(ές) εκπομπής θορύβου έχει μετρηθεί σύμφωνα με την πρότυπη μέθοδο δοκιμής και μπορεί να χρησιμοποιηθεί για τη σύγκριση ενός εργαλείου με κάποιο άλλο.

**ΠΑΡΑΤΗΡΗΣΗ:** Η δηλωμένη τιμή(ές) εκπομπής θορύβου μπορεί να χρησιμοποιηθεί και στην προκαταρκτική αξιολόγηση της έκθεσης.

**⚠ ΠΡΟΕΙΔΟΠΟΙΗΣΗ:** Να φοράτε ωτοασπίδες.

**⚠ ΠΡΟΕΙΔΟΠΟΙΗΣΗ:** Η εκπομπή θορύβου κατά τη χρήση του ηλεκτρικού εργαλείου σε πραγματικές συνθήκες χρήσης μπορεί να διαφέρει από τη δηλωμένη τιμή(ές) ανάλογα με τους τρόπους χρήσης του εργαλείου, ιδιαίτερα το είδος του τεμαχίου εργασίας που υπόκειται επεξεργασία.

**⚠ ΠΡΟΕΙΔΟΠΟΙΗΣΗ:** Φροντίστε να λάβετε τα κατάλληλα μέτρα προστασίας του χειριστή βάσει ενός υπολογισμού της έκθεσης σε πραγματικές συνθήκες χρήσης (λαμβάνοντας υπόψη όλες τις συνιστώσες του κύκλου λειτουργίας όπως τους χρόνους που το εργαλείο είναι εκτός λειτουργίας και όταν βρίσκεται σε αδρανή λειτουργία πέραν του χρόνου ενεργοποίησης).

## Κραδασμός

Η ολική τιμή δόνησης (άθροισμα τρι-αξονικού διανύσματος) καθορίζεται σύμφωνα με το EN62841-2-11:

Είδος εργασίας: κοπή σανίδων  
Εκπομπή δόνησης ( $a_{hB}$ ): 11,5 m/s<sup>2</sup>

Αβεβαιότητα (K): 1,5 m/s<sup>2</sup>

Είδος εργασίας: κοπή μεταλλικών φύλλων

Εκπομπή δόνησης ( $a_{hM}$ ): 9,5 m/s<sup>2</sup>

Αβεβαιότητα (K): 1,5 m/s<sup>2</sup>

**ΠΑΡΑΤΗΡΗΣΗ:** Η δηλωμένη τιμή(ές) συνολικών κραδασμών έχει μετρηθεί σύμφωνα με την πρότυπη μέθοδο δοκιμής και μπορεί να χρησιμοποιηθεί για τη σύγκριση ενός εργαλείου με κάποιο άλλο.

**ΠΑΡΑΤΗΡΗΣΗ:** Η δηλωμένη τιμή(ές) συνολικών κραδασμών μπορεί να χρησιμοποιηθεί και στην προκαταρκτική αξιολόγηση της έκθεσης.

**▲ΠΡΟΕΙΔΟΠΟΙΗΣΗ:** Η εκπομπή κραδασμών κατά τη χρήση του ηλεκτρικού εργαλείου σε πραγματικές συνθήκες μπορεί να διαφέρει από τη δηλωμένη τιμή(ές) εκπομπής ανάλογα με τους τρόπους χρήσης του εργαλείου, ιδιαίτερα το είδος του τεμαχίου εργασίας που υπόκειται επεξεργασία.

**▲ΠΡΟΕΙΔΟΠΟΙΗΣΗ:** Φροντίστε να λάβετε τα κατάλληλα μέτρα προστασίας του χειριστή βάσει ενός υπολογισμού της έκθεσης σε πραγματικές συνθήκες χρήσης (λαμβάνοντας υπόψη όλες τις συνιστώσες του κύκλου λειτουργίας όπως τους χρόνους που το εργαλείο είναι εκτός λειτουργίας και όταν βρίσκεται σε αδρανή λειτουργία πέραν του χρόνου ενεργοποίησης).

## Δήλωση συμμόρφωσης ΕΚ

*Μόνο για χώρες της Ευρώπης*

Η δήλωση συμμόρφωσης ΕΚ περιλαμβάνεται ως Παράρτημα Α στο παρόν εγχειρίδιο οδηγιών.

## ΠΡΟΕΙΔΟΠΟΙΗΣΕΙΣ ΑΣΦΑΛΕΙΑΣ

### Γενικές προειδοποιήσεις ασφαλείας για το ηλεκτρικό εργαλείο

**▲ΠΡΟΕΙΔΟΠΟΙΗΣΗ:** Διαβάστε όλες τις προειδοποιήσεις ασφαλείας, οδηγίες, εικονογραφίες και προδιαγραφές που παρέχονται με αυτό το ηλεκτρικό εργαλείο. Η μη τήρηση όλων των οδηγιών που αναγράφονται κατωτέρω μπορεί να καταλήξει σε ηλεκτροπληξία, πυρκαγιά ή/και σοβαρό τραυματισμό.

### Φυλάξτε όλες τις προειδοποιήσεις και τις οδηγίες για μελλοντική παραπομπή.

Στις προειδοποιήσεις, ο όρος «ηλεκτρικό εργαλείο» αναφέρεται σε ηλεκτρικό εργαλείο που τροφοδοτείται από την κύρια παροχή ηλεκτρικού ρεύματος (με ηλεκτρικό καλώδιο) ή σε ηλεκτρικό εργαλείο που τροφοδοτείται από μπαταρία (χωρίς ηλεκτρικό καλώδιο).

## Προειδοποιήσεις ασφαλείας για το φορητό παλινδρομικό πριόνι

1. Να κρατάτε το ηλεκτρικό εργαλείο από τις μονωμένες επιφάνειες λαβής όταν εκτελείτε εργασίες κατά τις οποίες το εξάρτημα κοπής μπορεί να έρθει σε επαφή με κρυμμένα καλώδια. Σε περίπτωση επαφής του εξαρτήματος κοπής με ηλεκτροφόρο καλώδιο, μπορεί να εκτεθειμένα μεταλλικά εξαρτήματα του ηλεκτρικού εργαλείου να καταστούν τα ίδια ηλεκτροφόρα και να προκαλέσουν ηλεκτροπληξία στο χειριστή.
2. Να χρησιμοποιείτε σφικκτήρες ή κάποιο άλλο πρακτικό μέσο για να ασφαλίσετε και να στηρίξετε το τεμάχιο εργασίας σε μια σταθερή πλατφόρμα. Αν κρατάτε το τεμάχιο εργασίας με το χέρι σας ή επάνω στο σώμα σας, θα είναι ασταθές και μπορεί να χάσετε τον έλεγχο.
3. Να χρησιμοποιείτε πάντα γυαλιά ασφαλείας ή προστατευτικά γυαλιά. Τα συνηθισμένα γυαλιά οράσεως ή γυαλιά ηλίου ΔΕΝ είναι γυαλιά ασφαλείας.
4. Να αποφεύγετε την κοπή καρφιών. Να επιθεωρείτε το τεμάχιο εργασίας για καρφιά και αφαιρέστε τα πριν από τη λειτουργία.
5. Μην κόβετε υπερμεγέθη τεμάχια εργασίας.
6. Πριν από την κοπή, να ελέγχετε ότι υπάρχει επαρκής απόσταση πίσω από το τεμάχιο εργασίας ώστε η λάμα να μη χτυπήσει το δάπεδο, τον πάγκο εργασίας, κτλ.
7. Κρατάτε το εργαλείο σταθερά.
8. Να βεβαιώνετε ότι η λάμα δεν ακουμπάει το τεμάχιο εργασίας πριν ενεργοποιήσετε το διακόπτη.
9. Μην πλησιάζετε τα χέρια σας σε κινούμενα μέρη.
10. Μην αφήνετε το εργαλείο αναμμένο. Να χειρίζεστε το εργαλείο μόνο όταν το κρατάτε στο χέρι.
11. Να σβήνετε πάντα το εργαλείο και να περιμένετε να σταματήσει να κινείται εντελώς η λάμα πριν τη βγάλετε από το τεμάχιο εργασίας.
12. Μην αγγίζετε τη λάμα ή το τεμάχιο εργασίας αμέσως μετά τη λειτουργία. Μπορεί να είναι εξαιρετικά ζεστά και να σας προκαλέσουν εγκαύματα.
13. Μη θέτετε το εργαλείο σε λειτουργία χωρίς φορτίο όταν αυτό δεν είναι απαραίτητο.
14. Μερικά υλικά περιέχουν χημικά που μπορεί να είναι τοξικά. Να προσέχετε ώστε να αποφεύγετε την εισπνοή σκόνης και την επαφή με το δέρμα. Να ακολουθείτε τα δεδομένα ασφαλείας του προμηθευτή υλικού.
15. Να χρησιμοποιείτε πάντα προσωπίδα κατά της σκόνης/αναπνευστήρα που είναι κατάλληλα για το υλικό και την εφαρμογή σας.

## ΦΥΛΑΞΤΕ ΑΥΤΕΣ ΤΙΣ ΟΔΗΓΙΕΣ.

**▲ΠΡΟΕΙΔΟΠΟΙΗΣΗ:** ΜΗΝ επιτρέψετε στην άνεση ή στην εξοικειώσή σας με το προϊόν (που αποκτήθηκε από επανειλημμένη χρήση) να αντικαταστήσει την αυστηρή τήρηση των κανόνων ασφαλείας του παρόντος εργαλείου. Η ΑΝΑΘΑΣΜΕΝΗ ΧΡΗΣΗ ή η αμέλεια να ακολουθήσετε τους κανόνες ασφαλείας που διατυπώνονται στο παρόν εγχειρίδιο οδηγιών μπορεί να προκαλέσει σοβαρό προσωπικό τραυματισμό.

## Σημαντικές οδηγίες ασφάλειας για κασέτα μπαταριών

1. Πριν χρησιμοποιήσετε την κασέτα μπαταριών, διαβάστε όλες τις οδηγίες και σημειώσεις προφύλαξης (1) στον φορτιστή μπαταριών, (2) στην μπαταρία και (3) στο προϊόν που χρησιμοποιεί την μπαταρία.
2. Μην αποσυναρμολογήσετε την κασέτα μπαταριών.
3. Εάν ο χρόνος λειτουργίας έχει γίνει υπερβολικά βραχύς, σταματήστε τη λειτουργία αμέσως. Αλλιώς, μπορεί να έχει ως αποτέλεσμα κίνδυνο υπερθέρμανσης, πιθανά εγκαύματα ή ακόμη και έκρηξη.
4. Εάν ηλεκτρολύτης μπει στα μάτια σας, ξεπλύνετε τα με καθαρό νερό και ζητήστε ιατρική φροντίδα αμέσως. Αλλιώς, μπορεί να έχει ως αποτέλεσμα απώλεια της όρασης σας.
5. Μην βραχυκυκλώνετε την κασέτα μπαταριών:
  - (1) Μην αγγίζετε τους πόλους με οτιδήποτε αγώγιμο υλικό.
  - (2) Αποφεύγετε να αποθηκεύετε την κασέτα μπαταριών μέσα σε ένα δοχείο μαζί με άλλα μεταλλικά αντικείμενα όπως καρφιά, νομίσματα, κλπ.
  - (3) Μην εκθέτετε την κασέτα μπαταριών στο νερό ή στη βροχή.Ένα βραχυκύκλωμα μπαταρίας μπορεί να προκαλέσει μεγάλη ροή ρεύματος, υπερθέρμανση, πιθανά εγκαύματα ακόμη και σοβαρή βλάβη.
6. Μην αποθηκεύετε το εργαλείο και την κασέτα μπαταριών σε τοποθεσίες όπου η θερμοκρασία μπορεί να φτάσει ή να ξεπεράσει τους 50°C.
7. Μην καίτε την κασέτα μπαταριών ακόμη και εάν έχει σοβαρή ζημιά ή είναι εντελώς φθαρμένη. Η κασέτα μπαταριών μπορεί να εκραγεί στη φωτιά.
8. Προσέχετε να μη ρίξετε κάτω ούτε να χτυπήσετε την μπαταρία.
9. Μην χρησιμοποιείτε μπαταρία που έχει υποστεί ζημία.
10. Η μπαταρίας ιόντων λιθίου που περιέχονται υπόκεινται στις απαιτήσεις της νομοθεσίας για επικίνδυνα αγαθά.

Για εμπορικές μεταφορές, για παράδειγμα από τρίτα μέρη, πρέπει να τηρούνται οι διαμεταφορές, οι ειδικές απαιτήσεις στη συσκευασία και η επισήμανση. Για προετοιμασία του στοιχείου που αποστέλλεται, είναι απαραίτητο να συμβουλευτείτε έναν ειδικό για επικίνδυνα υλικά. Επίσης, τηρήστε τους πιθανούς, πιο αναλυτικούς εθνικούς κανονισμούς. Καλύψτε με αυτοκόλλητη ταινία ή κρύψτε τις ανοικτές επαφές και συσκευάστε την μπαταρία με τρόπο που να μην μπορεί να μετακινείται μέσα στη συσκευασία.
11. Τηρήστε τους τοπικούς κανονισμούς που σχετίζονται με τη διάθεση της μπαταρίας.
12. Χρησιμοποιήστε τις μπαταρίες μόνο με τα προϊόντα που καθορίζει η Makita. Αν τοποθετήσετε τις μπαταρίες σε μη συμβατά προϊόντα μπορεί να έχει ως αποτέλεσμα πυρκαγιά, υπερβολική θερμότητα, έκρηξη ή διαρροή ηλεκτρολύτη.

## ΦΥΛΑΞΤΕ ΤΙΣ ΟΔΗΓΙΕΣ ΑΥΤΕΣ.

**▲ΠΡΟΣΟΧΗ:** Να χρησιμοποιείτε μόνο γνήσιες μπαταρίες της Makita. Η χρήση μη γνήσιων μπαταριών Makita, ή μπαταριών που έχουν τροποποιηθεί, μπορεί να έχει ως αποτέλεσμα τη ρήξη της μπαταρίας, προκαλώντας πυρκαγιά, προσωπικό τραυματισμό και βλάβη. Επίσης, θα ακυρωθεί η εγγύηση της Makita για το εργαλείο και φορτιστή Makita.

## Συμβουλές για τη διατήρηση της μέγιστης ζωής μπαταρίας

1. Φορτίστε την κασέτα μπαταριών πριν από την πλήρη αποφόρτισή της. Πάντοτε να σταματάτε τη λειτουργία του εργαλείου και να φορτίζετε την κασέτα μπαταριών όταν παρατηρείτε μειωμένη ισχύ εργαλείου.
2. Ποτέ μην επαναφορτίζετε μια πλήρως φορτισμένη κασέτα μπαταριών. Η υπερφόρτιση μειώνει την ωφέλιμη ζωή της μπαταρίας.
3. Να φορτίζετε την κασέτα μπαταριών σε θερμοκρασία δωματίου, δηλαδή στους 10°C έως 40°C. Αφήστε μια θερμή κασέτα μπαταριών να κρυώσει πριν την φορτίσετε.

## ΠΕΡΙΓΡΑΦΗ ΛΕΙΤΟΥΡΓΙΑΣ

**▲ΠΡΟΣΟΧΗ:** Να φροντίζετε πάντα για την απενεργοποίηση του εργαλείου και την αφαίρεση της κασέτας μπαταρίας, πριν από οποιαδήποτε ρύθμιση ή έλεγχο της λειτουργίας του.

## Τοποθέτηση ή αφαίρεση της κασέτας μπαταριών

**▲ΠΡΟΣΟΧΗ:** Να σβήνετε πάντα το εργαλείο πριν τοποθετήσετε ή αφαιρέσετε την κασέτα μπαταριών.

**▲ΠΡΟΣΟΧΗ:** Κρατήστε το εργαλείο και την κασέτα μπαταριών σταθερά κατά την τοποθέτηση ή αφαίρεση της κασέτας μπαταριών. Εάν δεν κρατάτε το εργαλείο και την κασέτα μπαταριών σταθερά μπορεί να γλιστρήσουν από τα χέρια σας και να προκληθεί βλάβη στο εργαλείο και την κασέτα μπαταριών και προσωπικούς τραυματισμούς.

► **Εικ. 1:** 1. Κόκκινη ένδειξη 2. Κουμπί 3. Κασέτα μπαταριών

Για να αφαιρέσετε την κασέτα μπαταριών, ολισθήστε την από το εργαλείο ενώ σύρετε το κουμπί στο μπροστινό μέρος της κασέτας.

Για να τοποθετήσετε την κασέτα μπαταριών, ευθυγραμμίστε τη γλώσσα στην κασέτα μπαταριών με την αύλακα στην υποδοχή και ολισθήστε τη στη θέση της. Να την τοποθετείτε πλήρως μέχρι να ασφαλίσει στη θέση της, γεγονός που υποδεικνύεται με ένα χαρακτηριστικό ήχο. Εάν μπορείτε να δείτε την κόκκινη ένδειξη στην επάνω πλευρά του κουμπιού, δεν έχει κλειδώσει τελείως.

**▲ΠΡΟΣΟΧΗ:** Να τοποθετείτε πάντα την κασέτα μπαταριών πλήρως μέχρι να μη βλέπετε την κόκκινη ένδειξη. Εάν δεν ασφαλιστεί, μπορεί να πέσει από το εργαλείο τυχαία, προκαλώντας σωματική βλάβη σε εσάς ή κάποιον άλλο γύρω σας.

**▲ΠΡΟΣΟΧΗ:** Μην τοποθετείτε την κασέτα μπαταριών με βία. Εάν η κασέτα δεν ολισθαίνει με ευκολία, τότε δεν έχει τοποθετηθεί κατάλληλα.

## Σύστημα προστασίας εργαλείου/μπαταρίας

Το εργαλείο είναι εξοπλισμένο με σύστημα προστασίας εργαλείου/μπαταρίας. Αυτό το σύστημα αποκόπτει αυτόματα την ισχύ προς το μοτέρ για να παραταθεί η διάρκεια λειτουργίας του εργαλείου και της μπαταρίας. Το εργαλείο σταματάει αυτόματα κατά τη διάρκεια της λειτουργίας εάν το εργαλείο ή η μπαταρία βρεθούν κάτω από τις παρακάτω συνθήκες:

### Προστασία υπερφόρτωσης

Όταν η μπαταρία λειτουργεί με τρόπο ώστε να αναγκάζεται να καταναλώνει ασυνήθιστα υψηλό ρεύμα, το εργαλείο σταματάει αυτόματα χωρίς καμία ένδειξη. Σε αυτή την κατάσταση, σβήστε το εργαλείο και διακόψτε την εφαρμογή που προκαλεί την υπερφόρτωση του εργαλείου. Μετά, ενεργοποιήστε το εργαλείο για επανεκκίνηση.

### Προστασία υπερθέρμανσης

Όταν το εργαλείο ή η μπαταρία υπερθερμανθεί, η λειτουργία του εργαλείου σταματάει αυτόματα και η λάμπα αναβοσβήνει. Σε αυτή την περίπτωση, αφήστε το εργαλείο και την μπαταρία να ψυχθούν πριν ενεργοποιήσετε ξανά το εργαλείο.

### Προστασία υπερβολικής αποφόρτισης

Όταν η φόρτιση μπαταρίας δεν είναι αρκετή, το εργαλείο σταματάει αυτόματα. Αν ενεργοποιήσετε το εργαλείο, το μοτέρ θα τεθεί ξανά σε λειτουργία αλλά θα σταματήσει σύντομα. Σε αυτή την περίπτωση, βγάλτε την μπαταρία από το εργαλείο και φορτίστε την μπαταρία.

### Εμφάνιση υπολειπόμενης χωρητικότητας μπαταρίας

**Μόνο για κασέτες μπαταρίας με την ενδεικτική λυχνία**

► **Εικ.2:** 1. Ενδεικτικές λυχνίες 2. Κομπτί ελέγχου

Πιέστε το κομπτί ελέγχου στην κασέτα μπαταριών για να υποδείξετε την υπολειπόμενη χωρητικότητα μπαταρίας. Οι ενδεικτικές λυχνίες ανάβουν για λίγα δευτερόλεπτα.

Ενδεικτικές λυχνίες		Υπόλοιπη χωρητικότητα
Αναμμένες	Σβηστές	
■ ■ ■ ■ ■	□	75% έως 100%
■ ■ ■ ■ □	□	50% έως 75%
■ ■ □ □	□ □	25% έως 50%
■ □ □ □	□ □ □ □	0% έως 25%

**ΠΑΡΑΤΗΡΗΣΗ:** Ανάλογα με τις συνθήκες χρήσης και τη θερμοκρασία περιβάλλοντος, η ένδειξη μπορεί να διαφέρει λίγο από την πραγματική χωρητικότητα.

## Επιλογή της κοπτικής λειτουργίας

► **Εικ.3:** 1. Μοχλός αλλαγής κοπτικής λειτουργίας

Μπορείτε να χρησιμοποιείτε το εργαλείο αυτό με κοπτική λειτουργία καμπύλης ή ευθείας (πάνω και κάτω). Με την κοπτική λειτουργία καμπύλης, η λάμα παλινδρομικού πριονιού ωθείται προς τα εμπρός στη διαδρομή κοπής και αυξάνεται πολύ η ταχύτητα κοπής.

Για να αλλάξετε την κοπτική λειτουργία, απλώς θέστε το μοχλό αλλαγής κοπτικής λειτουργίας στην επιθυμητή θέση κοπτικής λειτουργίας. Ανατρέξτε στον πίνακα για να επιλέξετε την κατάλληλη κοπτική λειτουργία.

Θέση	Κοπτική λειτουργία	Εφαρμογές
0	Κοπτική λειτουργία ευθείας	Για την κοπή μαλακού ατσάλιου, ανοξείδωτο ατσάλιου και πλαστικών. Για την καθαρή κοπή ξύλου και κοντραπλακέ.
I	Κοπτική λειτουργία μικρής καμπύλης	Για την κοπή μαλακού ατσάλιου, αλουμινίου και σκληρού ξύλου.
II	Κοπτική λειτουργία μέτριας καμπύλης	Για την κοπή ξύλου και κοντραπλακέ. Για γρήγορη κοπή αλουμινίου και μαλακού ατσάλιου.
III	Κοπτική λειτουργία μεγάλης καμπύλης	Για γρήγορη κοπή ξύλου και κοντραπλακέ.

### Δράση διακοπής

Για να ενεργοποιήσετε το εργαλείο, πατήστε το κομπτί κλειδώματος/ξεκλειδώματος. Το εργαλείο μεταβαίνει σε τρόπο λειτουργίας αναμονής. Για να ξεκινήσετε τη λειτουργία του εργαλείου, πατήστε το κομπτί εκκίνησης/διακοπής στον τρόπο λειτουργίας αναμονής. Για να σταματήσετε τη λειτουργία του εργαλείου, πατήστε ξανά το κομπτί εκκίνησης/διακοπής. Το εργαλείο μεταβαίνει σε τρόπο λειτουργίας αναμονής. Για να απενεργοποιήσετε το εργαλείο, πατήστε το κομπτί κλειδώματος/ξεκλειδώματος στον τρόπο λειτουργίας αναμονής.

► **Εικ.4:** 1. Κομπτί κλειδώματος/ξεκλειδώματος 2. Κομπτί εκκίνησης/διακοπής

**ΠΑΡΑΤΗΡΗΣΗ:** Αν αφήσετε το εργαλείο για 10 δευτερόλεπτα χωρίς καμία λειτουργία στον τρόπο λειτουργίας αναμονής, το εργαλείο απενεργοποιείται αυτόματα και η λάμπα σβήνει.

**ΠΑΡΑΤΗΡΗΣΗ:** Επίσης, μπορείτε να σταματήσετε και να απενεργοποιήσετε το εργαλείο αν πατήσετε το κομπτί κλειδώματος/ξεκλειδώματος ενώ το εργαλείο λειτουργεί.

### Αναμμα της μπροστινής λάμπας

**▲ ΠΡΟΣΟΧΗ:** Μην κοιτάζετε κατευθείαν μέσα στο φως ή στην πηγή φωτός.

Για να ανάψετε τη λάμπα, πατήστε το κομπτί κλειδώματος/ξεκλειδώματος. Για να σβήσετε τη λάμπα, πατήστε ξανά το κομπτί κλειδώματος/ξεκλειδώματος.



**ΕΙΔΟΠΟΙΗΣΗ:** Όταν το εργαλείο έχει υπερθερμανθεί, η λάμπα αναβοσβήνει. Αφήστε τη θερμοκρασία του εργαλείου να μειωθεί πριν θέσετε ξανά το εργαλείο σε λειτουργία.

**ΠΑΡΑΤΗΡΗΣΗ:** Χρησιμοποιήστε ένα στεγνό πανί για να σκουπίσετε τη σκόνη από το φακό της λάμπας. Προσέχετε να μη γρατζουνίσετε το φακό της λάμπας, επειδή μπορεί να μειωθεί η ένταση του φωτισμού.

## Επιλογέας ρύθμισης ταχύτητας

### ► **Εικ.5:** 1. Επιλογέας ρύθμισης ταχύτητας

Εάν περιστρέψετε τον επιλογέα ρύθμισης ταχύτητας, μπορείτε να ρυθμίσετε την ταχύτητα του εργαλείου. Μπορείτε να έχετε την υψηλότερη ταχύτητα στο 5 και τη χαμηλότερη ταχύτητα στο 1.

Ανατρέξτε στον πίνακα για να επιλέξετε τη σωστή ταχύτητα για το τεμάχιο εργασίας που θα κόψετε. Η κατάλληλη ταχύτητα, όμως, μπορεί να διαφέρει ανάλογα με τον τύπο ή το πάχος του τεμαχίου εργασίας. Σε γενικές γραμμές, αν χρησιμοποιείτε υψηλότερες ταχύτητες, θα κόβετε τα τεμάχια εργασίας πιο γρήγορα, αλλά θα μειωθεί η διάρκεια λειτουργίας της λάμας.

Τεμάχιο εργασίας	Αριθμός
Ξύλο	4 - 5
Μαλακό ασάλι	3 - 5
Ανοξειδωτο ασάλι	3 - 4
Αλουμίνιο	3 - 5
Πλαστικό	1 - 4

**ΕΙΔΟΠΟΙΗΣΗ:** Όταν αλλάζετε τον επιλογέα ταχύτητας από «5» σε «1», περιστρέψτε τον επιλογέα αριστερόστροφα. Μην περιστρέψετε τον επιλογέα δεξιόστροφα με δύναμη.

## Ηλεκτρονική λειτουργία

Το εργαλείο είναι εξοπλισμένο με ηλεκτρονικές λειτουργίες για εύκολη λειτουργία.

- Ομαλή εκκίνηση  
Η λειτουργία ομαλής εκκίνησης ελαχιστοποιεί τον κραδασμό κατά την εκκίνηση και καθιστά την εκκίνηση του εργαλείου ομαλή.
- Ομαλή περιστροφή χωρίς φορτίο  
Για να μειωθεί η δόνηση και να ευθυγραμμιστεί η λάμα παλινδρομικού πριονιού με τη γραμμή κοπής πιο εύκολα, το εργαλείο μειώνει αυτόματα την ταχύτητα περιστροφής μέχρι το εργαλείο να αρχίσει να κόβει το τεμάχιο εργασίας, όταν ο επιλογέας ρύθμισης ταχύτητας έχει τεθεί στο 2 ή υψηλότερα. Μόλις το εργαλείο αρχίσει να κόβει το τεμάχιο εργασίας, η ταχύτητα εργαλείου φτάνει την προκαθορισμένη ταχύτητα και διατηρεί την ταχύτητα μέχρι να σταματήσει το εργαλείο.

**ΠΑΡΑΤΗΡΗΣΗ:** Όταν η θερμοκρασία είναι χαμηλή, αυτή η λειτουργία μπορεί να μην είναι διαθέσιμη.

## Απενεργοποίηση της λειτουργίας ομαλής περιστροφής χωρίς φορτίο

Για να απενεργοποιήσετε τη λειτουργία ομαλής περιστροφής χωρίς φορτίο, ακολουθήστε τα παρακάτω βήματα.

1. Βεβαιωθείτε ότι το εργαλείο είναι απενεργοποιημένο.
2. Θέστε τον επιλογέα ρύθμισης ταχύτητας στο «1».
3. Πατήστε το κουμπί κλειδώματος/ξεκλειδώματος για να ενεργοποιήσετε το εργαλείο.
4. Θέστε τον επιλογέα ρύθμισης ταχύτητας στο «5» περιστρέφοντάς τον και μετά θέστε τον στο «1» περιστρέφοντάς τον αντίστροφα.

Η λάμπα αναβοσβήνει δύο φορές για να υποδείξει ότι η λειτουργία ομαλής περιστροφής χωρίς φορτίο είναι απενεργοποιημένη. Για να ενεργοποιήσετε ξανά αυτή τη λειτουργία, εκτελέστε ξανά την ίδια διαδικασία.

**ΠΑΡΑΤΗΡΗΣΗ:** Αν η λειτουργία ομαλής περιστροφής χωρίς φορτίο είναι απενεργοποιημένη, η λάμπα αναβοσβήνει δύο φορές όταν το εργαλείο ενεργοποιείται.

**ΠΑΡΑΤΗΡΗΣΗ:** Επίσης, μπορείτε να απενεργοποιήσετε ή να ενεργοποιήσετε τη λειτουργία ομαλής περιστροφής χωρίς φορτίο εάν αλλάξετε τον επιλογέα ρύθμισης ταχύτητας από το «5» στο «1» και το αλλάξετε από το «1» στο «5».

## ΣΥΝΑΡΜΟΛΟΓΗΣΗ

**▲ΠΡΟΣΟΧΗ:** Να βεβαιώνετε πάντα ότι το εργαλείο είναι σθηστό και η κασέτα μπαταρίας έχει αφαιρεθεί πριν εκτελέσετε κάποια εργασία στο εργαλείο.

## Τοποθέτηση ή αφαίρεση της λάμας παλινδρομικού πριονιού

**▲ΠΡΟΣΟΧΗ:** Να καθαρίζετε πάντα όλα τα θραύσματα και τα ξένα σώματα που έχουν προσκολληθεί στη λάμα παλινδρομικού πριονιού ή/και στη θήκη λάμας. Αν δεν το κάνετε αυτό, μπορεί να μην είναι αρκετά σφιγμένη η λάμα και να προκληθεί σοβαρός ατομικός τραυματισμός.

**▲ΠΡΟΣΟΧΗ:** Μην αγγίζετε τη λάμα παλινδρομικού πριονιού ή το τεμάχιο εργασίας αμέσως μετά τη λειτουργία. Μπορεί να είναι εξαιρετικά καυτά και να προκαλέσει έγκαυμα στο δέρμα σας.

**▲ΠΡΟΣΟΧΗ:** Να ασφαρίζετε πάντα τη λάμα παλινδρομικού πριονιού τύπου B. Αν δεν σφίξετε καλά τη λάμα, μπορεί να προκληθεί σπάσιμο της λάμας ή σοβαρός ατομικός τραυματισμός.

**▲ΠΡΟΣΟΧΗ:** Να χρησιμοποιείτε μόνο λάμες παλινδρομικού πριονιού τύπου B. Αν χρησιμοποιήσετε λάμες διαφορετικές από τύπου B, θα προκληθεί ανεπαρκές σφίξιμο της λάμας, έχοντας ως αποτέλεσμα σοβαρό ατομικό τραυματισμό.

**▲ΠΡΟΣΟΧΗ:** Όταν βγάξετε τη λάμα παλινδρομικού πριονιού, προσέχετε να μην τραυματίσετε τα δάκτυλα σας με την άκρη της λάμας ή τις μύτες του τεμαχίου εργασίας.

Πριν εγκαταστήσετε τη λάμα παλινδρομικού πριονιού, βεβαιωθείτε ότι ο μοχλός συγκράτησης λάμας βρίσκεται στη ελευθερωμένη θέση.

Για να τοποθετήσετε τη λάμα παλινδρομικού πριονιού, εισαγάγετε τη λάμα (με τα δόντια στραμμένα προς τα μπροστά) μέσα στην υποδοχή λάμας. Ο μοχλός μετακινείται στη σταθεροποιημένη θέση και η λάμα ασφαλίζει. Βεβαιωθείτε ότι το πίσω άκρο της λάμας ταιριάζει μέσα στον κύλινδρο. Τραβήξτε τη λάμα ελαφρά για να βεβαιωθείτε ότι δεν θα πέσει κατά τη λειτουργία.

► **Εικ.6:** 1. Υποδοχή λάμας παλινδρομικού πριονιού  
2. Ελευθερωμένη θέση 3. Σταθεροποιημένη θέση

► **Εικ.7:** 1. Υποδοχή λάμας παλινδρομικού πριονιού  
2. Λάμα παλινδρομικού πριονιού

**▲ΠΡΟΣΟΧΗ:** Εάν ο μοχλός δεν μετακινηθεί στη σταθεροποιημένη θέση, η λάμα δεν έχει τοποθετηθεί πλήρως. Μην πιέζετε το μοχλό στη σταθεροποιημένη θέση με το χέρι σας. Μπορεί να προκληθεί ζημιά στο εργαλείο.

Για να αφαιρέσετε τη λάμα παλινδρομικού πριονιού, σπρώξτε το μοχλό προς τα μπροστά μέχρι τέρμα. Αυτό επιτρέπει την απασφάλιση της λάμας.

► **Εικ.8:** 1. Υποδοχή λάμας παλινδρομικού πριονιού  
2. Λάμα παλινδρομικού πριονιού

**ΠΑΡΑΤΗΡΗΣΗ:** Να λιπαίνετε περιστασιακά τον κύλινδρο.

## Φύλαξη εξαγωνικού κλειδιού

► **Εικ.9:** 1. Γάντζος 2. Εξαγωνικό κλειδί

Όταν δεν χρησιμοποιείται, φυλάξτε το εξαγωνικό κλειδί όπως απεικονίζεται στην εικόνα, για να μην το χάσετε. Αρχικά, εισαγάγετε το εξαγωνικό κλειδί στην οπή. Στη συνέχεια ωθήστε το μέσα στο γάντζο μέχρι να ασφαλίσει.

## ΛΕΙΤΟΥΡΓΙΑ

**▲ΠΡΟΣΟΧΗ:** Κρατήστε πάντα τη βάση ευθύγραμμη με το τεμάχιο εργασίας. Αν δεν το κάνετε αυτό, μπορεί να σπάσει η λάμα παλινδρομικού πριονιού, έχοντας ως αποτέλεσμα σοβαρό τραυματισμό.

**▲ΠΡΟΣΟΧΗ:** Προχωρήστε το εργαλείο πολύ αργά κατά την κοπή καμπύλων ή το κύλισμα. Αν εξαναγκάσετε την κίνηση του εργαλείου, μπορεί να προκληθεί λοξή επιφάνεια κοπής και σπάσιμο της λάμας παλινδρομικού πριονιού.

► **Εικ.10:** 1. Γραμμή κοπής 2. Βάση

Ενεργοποιήστε το εργαλείο χωρίς η λάμα παλινδρομικού πριονιού να κάνει επαφή οποιαδήποτε επαφή και περιμένετε μέχρι η λάμα να αποκτήσει πλήρη ταχύτητα. Μετά, ακουμπήστε τη βάση επίπεδα επάνω στο τεμάχιο εργασίας και μετακινήστε απαλά το εργαλείο προς τα μπροστά, κατά μήκος μιας γραμμής κοπής που έχετε σχεδιάσει από πριν.

## Λοξοτομή

**▲ΠΡΟΣΟΧΗ:** Να βεβαιώνεστε πάντοτε ότι το εργαλείο είναι σθεστό και έχετε βγάλει την κασέτα μπαταριών πριν γείρετε τη βάση.

Με τη βάση υπό κλίση, μπορείτε να πραγματοποιήσετε λοξοτομές σε οποιαδήποτε γωνία μεταξύ 0° και 45° (αριστερά ή δεξιά).

► **Εικ.11**

Χαλαρώστε το μπουλόνι στο πίσω μέρος της βάσης με το εξαγωνικό κλειδί. Μετακινήστε τη βάση ώστε το μπουλόνι να τοποθετηθεί στο κέντρο της εγκοπής, σε σχήμα σταυρού, στη βάση.

► **Εικ.12:** 1. Εξαγωνικό κλειδί 2. Μπουλόνι 3. Βάση

Γείρτε τη βάση μέχρι να ληφθεί η επιθυμητή γωνία λοξοτομής. Η άκρη του περιβλήματος μότερ υποδεικνύει τη γωνία λοξοτομής με διαβαθμίσεις. Κατόπιν σφίξτε το μπουλόνι για να ασφαλίσετε τη βάση.

► **Εικ.13:** 1. Άκρο 2. Διαβαθμίσεις

## Εμπρόσθιες ισόπεδες κοπές

► **Εικ.14:** 1. Εξαγωνικό κλειδί 2. Μπουλόνι 3. Βάση

Χαλαρώστε το μπουλόνι στο πίσω μέρος της βάσης με το εξαγωνικό κλειδί και σύρετε τη βάση τέρμα πίσω. Κατόπιν σφίξτε το μπουλόνι για να ασφαλίσετε τη βάση.

## Αποκοπές

Οι αποκοπές μπορούν να γίνουν με δύο μεθόδους, «Διάτρηση μιας οπής έναρξης» ή «Βαθιά κοπή».

## Διάτρηση μιας οπής έναρξης

► **Εικ.15**

Για εσωτερικές αποκοπές με αρχική κοπή εντός ενός άκρου, προ-τρυπανίστε μια οπή έναρξης με διάμετρο 12 mm ή μεγαλύτερη. Εισαγάγετε τη λάμα παλινδρομικού πριονιού μέσα σε αυτή την οπή για να ξεκινήσετε την κοπή σας.

## Βαθιά κοπή

► **Εικ.16**

Δεν χρειάζεται να ανοίξετε μια οπή έναρξης ή να δημιουργήσετε μια αρχική κοπή αν ενεργήσετε προσεκτικά όπως περιγράφεται στη συνέχεια.

1. Γείρτε το εργαλείο προς τα πάνω στο μπροστινό άκρο της βάσης με το σημείο της λάμα παλινδρομικού πριονιού τοποθετημένο μόλις πάνω από την επιφάνεια του τεμαχίου εργασίας.

2. Ασκήστε πίεση στο εργαλείο με τρόπο ώστε το μπροστινό άκρο της βάσης να μην μετακινηθεί όταν ενεργοποιήσετε το εργαλείο και χαμηλώστε απαλά και αργά το πίσω άκρο του εργαλείου.

3. Καθώς η λάμα παλινδρομικού πριονιού διατρύπα το τεμάχιο εργασίας, χαμηλώστε αργά τη βάση του εργαλείου επάνω στην επιφάνεια του τεμαχίου εργασίας.

4. Ολοκληρώστε την κοπή με τον συνηθισμένο τρόπο.

## Άκρα τελειώματος

### ► Εικ.17

Για την περικοπή άκρων ή τη ρύθμιση διαστάσεων, πέραστε τη λάμα παλινδρομικού πριονιού ελαφρά κατά μήκος των άκρων κοπής.

## Κοπή μετάλλων

Όταν κόβετε μέταλλο, να χρησιμοποιείτε πάντα ένα κατάλληλο ψυκτικό υγρό (λάδι κοπής). Αν δεν το κάνετε αυτό, θα προκληθεί σημαντική φθορά της λάμας παλινδρομικού πριονιού. Αντί για τη χρήση ψυκτικού, μπορείτε να γρασάρετε το κάτω μέρος του τεμαχίου εργασίας.

## Εξαγωγή σκόνης

### Προαιρετικό εξάρτημα

Οι λειτουργίες κοπής μπορεί να είναι πιο καθαρές όταν εκτελούνται με συνδεδεμένο αυτό το εργαλείο με την ηλεκτρική σκούπα της Makita.

## Τοποθέτηση ή αφαίρεση του καλύμματος σκόνης

Τοποθετήστε το κάλυμμα σκόνης όπως απεικονίζεται στην εικόνα.

► **Εικ.18:** 1. Κάλυμμα σκόνης

Για να αφαιρέσετε το κάλυμμα σκόνης, πατήστε τη μία πλευρά του καλύμματος και μετά αφαιρέστε το όπως απεικονίζεται στην εικόνα.

► **Εικ.19:** 1. Κάλυμμα σκόνης

## Τοποθέτηση ή αφαίρεση του ακροφυσίου σκόνης

Εισαγάγετε το ακροφύσιο σκόνης μέχρι τέρμα στο εργαλείο.

► **Εικ.20:** 1. Ακροφύσιο σκόνης

Για να αφαιρέσετε το ακροφύσιο σκόνης, τραβήξτε το ακροφύσιο σκόνης προς τα έξω ενώ πατάτε το κουμπί στο ακροφύσιο σκόνης.

► **Εικ.21:** 1. Κουμπί 2. Ακροφύσιο σκόνης

## Σύνδεση του εργαλείου στην ηλεκτρική σκούπα

Συνδέστε τον εύκαμπο σωλήνα της ηλεκτρικής σκούπας στο ακροφύσιο σκόνης.

► **Εικ.22**

## Οδηγός κομματιού

### Προαιρετικό εξάρτημα

**▲ ΠΡΟΣΟΧΗ:** Να βεβαιώνετε πάντοτε ότι το εργαλείο είναι σβηστό και έχετε βγάλει την κασέτα μπαταριών πριν τοποθετήσετε ή αφαιρέσετε εξαρτήματα.

## Ευθείες κοπές

Όταν κόβετε επανειλημμένα πλάτη 160 mm ή λιγότερο, η χρήση ενός οδηγού κομματιού θα εξασφαλίσει γρήγορες, καθαρές και ευθείες κοπές.

► **Εικ.23:** 1. Οδηγός κομματιού (κανόνας οδηγός)

Για την τοποθέτηση, εισαγάγετε τον οδηγό κομματιού μέσα στην ορθώνια οπή στην πλευρά της βάσης με την καθοδήγηση οδηγού στραμμένη προς τα κάτω. Σύρετε τον οδηγό κομματιού στη θέση για το επιθυμητό πλάτος κοπής και μετά σφίξτε το μπουλόνι για να το ασφαλίσετε.

► **Εικ.24:** 1. Εξαγωνικό κλειδί 2. Μπουλόνι 3. Καθοδήγηση οδηγού 4. Οδηγός κομματιού (κανόνας οδηγός)

## Κυκλικές κοπές

Όταν κόβετε κύκλους ή τόξα με ακτίνα 170 mm ή μικρότερη, τοποθετήστε τον οδηγό κομματιού όπως περιγράφεται στη συνέχεια.

► **Εικ.25:** 1. Οδηγός κομματιού (κανόνας οδηγός)

1. Εισαγάγετε τον οδηγό κομματιού μέσα στην ορθώνια οπή στην πλευρά της βάσης με την καθοδήγηση οδηγού στραμμένη προς τα πάνω.

2. Εισαγάγετε τον πείρο κυκλικού οδηγού μέσα από οποιαδήποτε οπή τις δύο οπές στην καθοδήγηση οδηγού. Βιδώστε το κοχλιωτό κομβίο επάνω στον πείρο για να ασφαλίσετε τον πείρο.

► **Εικ.26:** 1. Κοχλιωτό κομβίο 2. Καθοδήγηση οδηγού 3. Οδηγός κομματιού (κανόνας οδηγός) 4. Πείρος

3. Σύρετε τον οδηγό κομματιού στη θέση για την επιθυμητή ακτίνα κοπής και μετά σφίξτε το μπουλόνι για να το ασφαλίσετε. Στη συνέχεια, μετακινήστε τη βάση τέρμα μπροστά.

**ΠΑΡΑΤΗΡΗΣΗ:** Να χρησιμοποιείτε πάντα λάμες παλινδρομικού πριονιού αρ. B-17, B-18, B-26 ή B-27 όταν κόβετε κύκλους ή τόξα.

## Διάταξη αποφυγής σκλήθρων

### Προαιρετικό εξάρτημα

**▲ ΠΡΟΣΟΧΗ:** Δεν είναι δυνατή η χρήση της διάταξης αποφυγής σκλήθρων όταν πραγματοποιούνται λοξοτομές.

► **Εικ.27:** 1. Βάση 2. Διάταξη αποφυγής σκλήθρων

Για κοπές χωρίς σκλήθρες, μπορείτε να χρησιμοποιήσετε τη διάταξη αποφυγής σκλήθρων. Για να τοποθετήσετε τη διάταξη αποφυγής σκλήθρων, μετακινήστε τη βάση του εργαλείου πλήρως προς τα εμπρός και προσαρμόστε την από το πίσω μέρος της βάσης εργαλείου. Όταν χρησιμοποιείτε την πλάκα καλύμματος, τοποθετήστε τη διάταξη αποφυγής σκλήθρων επάνω στην πλάκα καλύμματος.

## Πλάκα καλύμματος

### Προαιρετικό εξάρτημα

► **Εικ.28:** 1. Πλάκα καλύμματος 2. Βάση

Χρησιμοποιήστε την πλάκα καλύμματος κατά την κοπή διακοσμητικών ξυλόφυλλων, πλαστικών, κτλ. Προστατεύει τις ευαίσθητες ή ευπαθείς επιφάνειες από τις ζημιές. Προσαρμόστε την στο πίσω μέρος της βάσης εργαλείου.

## Σετ προσαρμογέα ράγας οδήγησης

### Προαιρετικό εξάρτημα

Όταν κόβετε παράλληλο και ομοιόμορφο πλάτος ή κόβετε ίσια, η χρήση της ράγας οδήγησης και του προσαρμογέα ράγας οδήγησης θα εξασφαλίσουν τη δημιουργία γρήγορων και καθαρών κοπών. Για να τοποθετήσετε τον προσαρμογέα ράγας οδήγησης, εισαγάγετε τη ράβδο κανόνα μέσα στην τετράγωνη οπή της βάσης μέχρι τέρμα. Ασφαλίστε καλά το μπουλόνι με το εξαγωνικό κλειδί.

► **Εικ.29:** 1. Εξαγωνικό κλειδί 2. Ράβδος κανόνα

Εισαγάγετε τη ράβδο κανόνα μέσα στην τετράγωνη οπή του προσαρμογέα ράγας οδήγησης και ασφαλίστε σταθερά τη βίδα. Τοποθετήστε τον προσαρμογέα ράγας οδήγησης στη ράγα οδήγησης.

► **Εικ.30:** 1. Προσαρμογέας ράγας οδήγησης 2. Ράγα οδήγησης 3. Βίδα

**ΕΙΔΟΠΟΙΗΣΗ:** Να χρησιμοποιείτε πάντα λάμες αρ. B-8, B-13, B-16, B-17 ή 58 όταν χρησιμοποιείτε τη ράγα οδήγησης και τον προσαρμογέα ράγας οδήγησης.

## ΣΥΝΤΗΡΗΣΗ

**▲ ΠΡΟΣΟΧΗ:** Πριν την εκτέλεση εργασιών επιθεώρησης ή συντήρησης, πάντοτε να βεβαιώνεστε ότι η συσκευή απενεργοποιήθηκε και η κασέτα μπαταριών έχει αφαιρεθεί.

**ΕΙΔΟΠΟΙΗΣΗ:** Μην χρησιμοποιείτε ποτέ βενζίνη, πετρελαϊκό αιθέρα, διαλυτικό, αλκοόλη ή παρόμοιες ουσίες. Μπορεί να προκληθεί αποχρωματισμός, παραμόρφωση ή ρωγμές.

Για τη διατήρηση της ΑΣΦΑΛΕΙΑΣ και ΑΞΙΟΠΙΣΤΙΑΣ του προϊόντος, οι επισκευές και οποιαδήποτε άλλη εργασία συντήρησης ή ρύθμισης πρέπει να εκτελούνται από εξουσιοδοτημένα ή εργοστασιακά κέντρα εξυπηρέτησης της Makita, χρησιμοποιώντας πάντοτε ανταλλακτικά της Makita.

## ΠΡΟΑΙΡΕΤΙΚΑ ΕΞΑΡΤΗΜΑΤΑ

**▲ ΠΡΟΣΟΧΗ:** Αυτά τα εξαρτήματα ή προσαρτήματα συνιστώνται για χρήση με το εργαλείο Makita που περιγράφηκε στις οδηγίες αυτές. Η χρήση οποιωνδήποτε άλλων εξαρτημάτων ή προσαρτημάτων μπορεί να προκαλέσει κίνδυνο τραυματισμού σε άτομα. Να χρησιμοποιείτε τα εξαρτήματα ή προσαρτήματα μόνο για την χρήση που προορίζονται.

Εάν χρειάζεστε οποιαδήποτε βοήθεια για περισσότερες πληροφορίες σε σχέση με αυτά τα εξαρτήματα, απευθυνθείτε στο τοπικό σας κέντρο εξυπηρέτησης Makita.

- Λάμες παλινδρομικού πριονιού
- Εξαγωνικό κλειδί 3
- Σύνολο οδηγού κομματιού (κανόνας οδηγός)
- Σετ προσαρμογέα ράγας οδήγησης

- Διάταξη αποφυγής σκλήθρων
- Εύκαμπτος σωλήνας (Για ηλεκτρική σκούπα)
- Πλάκα καλύμματος
- Ακροφύσιο σκόνης
- Κάλυμμα σκόνης
- Γνήσια μπαταρία και φορτιστής της Makita

**ΠΑΡΑΤΗΡΗΣΗ:** Μερικά στοιχεία στη λίστα μπορεί να συμπεριλαμβάνονται στη συσκευασία εργαλείου ως στάνταρ εξαρτήματα. Μπορεί να διαφέρουν ανάλογα με τη χώρα.

## TEKNİK ÖZELLİKLER

Model:	JV102D	
Vuruş uzunluğu	23 mm	
Dakikadaki darbe sayısı	800 - 3.000 min <sup>-1</sup>	
Bıçak tipi	B tipi	
Maksimum kesme kapasiteleri	Ahşap	90 mm
	Yumuşak çelik	10 mm
	Alüminyum	20 mm
Toplam uzunluk	237 mm	
Anma voltajı	D.C. 10,8 V - 12 V maks	
Net ağırlık	1,8 - 1,9 kg	

- Sürekli yapılan araştırma ve geliştirmelerden dolayı, burada belirtilen özellikler önceden bildirilmeksizin değiştirilebilir.
- Özellikler ülkeden ülkeye değişebilir.
- Ağırlık, ekli aksesuar/aksesuarlara ve batarya kartuşuna bağlı olarak farklılık gösterebilir. EPTA-Prosedürü 01/2014'e göre en hafif ve en ağır kombinasyonlar tabloda verilmiştir.

### Geçerli batarya kartuşu ve şarj aleti

Batarya kartuşu	BL1015 / BL1016 / BL1020B / BL1021B / BL1040B / BL1041B
Şarj aleti	DC10SA / DC10SB / DC10WC / DC10WD / DC18RE

- Yukarıda listelenen batarya kartuşlarının ve şarj aletlerinin bazıları yaşadığınız bölgeye bağlı olarak mevcut olmayabilir.

**⚠UYARI:** Sadece yukarıda listelenen batarya kartuşlarını ve şarj aletlerini kullanın. Başka batarya kartuşlarının ve şarj aletlerinin kullanılması yaralanma ve/veya yangına neden olabilir.

### Kullanım amacı

Bu alet ahşap, plastik ve metal malzemeleri kesmek amacıyla kullanılır. Kapsamlı aksesuarlar ve testere bıçağı programının bir sonucu olarak, alet çok fazla amaç için kullanılabilir ve eğimli ve dairesel kesimler için oldukça uygundur.

### Gürültü

Tipik A-ağırlıklı gürültü düzeyi (EN62841-2-11 standardına göre belirlenen):  
Ses basınç seviyesi ( $L_{pA}$ ): 85 dB (A)  
Ses gücü düzeyi ( $L_{WA}$ ): 96 dB (A)  
Belirsizlik (K): 3 dB (A)

**NOT:** Beyan edilen gürültü emisyonu değer(ler)i bir standart test yöntemine uygun şekilde ölçülmüştür ve bir aleti bir başkasıyla karşılaştırmak için kullanılabilir.

**NOT:** Beyan edilen gürültü emisyonu değer(ler)i bir ön maruz kalma değerlendirmesi olarak da kullanılabilir.

**⚠UYARI:** Kulak koruyucuları takın.

**⚠UYARI:** Elektrikli aletin gerçek kullanımını sıradaki gürültü emisyonu, aletin kullanım biçimlerine, özellikle işlenen iş parçasının türüne bağlı olarak beyan edilen değer(ler)den farklı olabilir.

**⚠UYARI:** Gerçek kullanım koşullarındaki tahmini maruziyeti baz alan, operatörü koruyacak güvenlik önlemlerini mutlaka belirleyin (çalışma döngüsü içerisinde aletin kapalı olduğu ve aktif durumda olmasının yanı sıra boşta çalıştığı zamanlar gibi, bütün zaman dilimleri göz önünde bulundurarak).

### Titreşim

Titreşim toplam değeri (üç eksenli vektör toplamı) (EN62841-2-11 standardına göre hesaplanan):  
Çalışma modu: tahtaları kesme  
Titreşim emisyonu ( $a_{h,B}$ ): 11,5 m/s<sup>2</sup>  
Belirsizlik (K): 1,5 m/s<sup>2</sup>  
Çalışma modu: sac levha kesme  
Titreşim emisyonu ( $a_{h,M}$ ): 9,5 m/s<sup>2</sup>  
Belirsizlik (K): 1,5 m/s<sup>2</sup>

**NOT:** Beyan edilen titreşim toplam değeri bir standart test yöntemine uygun şekilde ölçülmüştür ve bir aleti bir başkasıyla karşılaştırmak için kullanılabilir.

**NOT:** Beyan edilen titreşim toplam değeri bir ön maruz kalma değerlendirilmesi olarak da kullanılabilir.

**UYARI:** Elektrikli aletin gerçek kullanımı sırasındaki titreşim emisyonu, aletin kullanım biçimlerine, özellikle işlenen iş parçasının türüne bağlı olarak beyan edilen değeri(ler)den farklı olabilir.

**UYARI:** Gerçek kullanım koşullarındaki tahmini maruziyeti baz alan, operatörü koruyacak güvenlik önlemlerini mutlaka belirleyin (çalışma döngüsü içerisinde aletin kapalı olduğu ve aktif durumda olmasının yanı sıra boşta çalıştığı zamanlar gibi, bütün zaman dilimleri göz önünde bulundurarak).

## EC Uygunluk Beyanı

### Sadece Avrupa ülkeleri için

EC uygunluk beyanı bu kullanım kılavuzuna Ek A olarak eklenmiştir.

## GÜVENLİK UYARILARI

### Genel elektrikli alet güvenliği uyarıları

**UYARI:** Bu elektrikli aletle birlikte sunulan tüm güvenlik uyarılarını, talimatları, çizimleri ve teknik özellikleri okuyun. Aşağıda verilen talimatlara uyulmaması elektrik şoku, yangın ve/veya ciddi yaralanmalar ile sonuçlanabilir.

### Tüm uyarıları ve talimatları ile- ride başarmak için saklayın.

Uyarılardaki "elektrikli alet" terimi ile ya prizden çalışan (kordonlu) elektrikli aletiniz ya da kendi aküsü ile çalışan (kordonsuz) elektrikli aletiniz kastedilmektedir.

### Akülü dekupaj testere için güvenlik uyarıları

1. Kesici aksesuarın görünmeyen kablolarla temas etme olasılığı bulunan yerlerde çalışırken elektrikli aleti yalıtımlı kavrama yüzeylerinden tutun. Kesici aksesuarın "akımlı" bir telle temas etmesi elektrikli aletin yalıtımsız metal kısımlarını "akımlı" hale getirebilir ve kullanıcıyı elektrik şokuna maruz bırakabilir.
2. İş parçasını sabit bir platforma bağlamak ve desteklemek için mengene veya başka bir pratik yol kullanın. İş parçasını elle veya vücudunuzla dayayarak tutma onu dengersiz bırakır ve kontrol kaybına yol açabilir.
3. Daima koruyucu gözlükler kullanın. Normal gözlükler veya güneş gözlükleri koruyucu gözlük DEĞİLDİR.

4. Çivi kesmekten kaçının. İşleme başlamadan önce iş parçasını kontrol edip çivi varsa çıkarın.
5. Çok büyük parçaları kesmeyin.
6. Kesmeye başlamadan önce iş parçasının gerisinde bıçağın zemine, çalışma tezgahına vs. çarpmaması için yeterli boşluk bulunduğundan emin olun.
7. Aleti sıkı tutun.
8. Anahtarı açmadan önce bıçağın iş parçasına değmediğinden emin olun.
9. Ellerinizi hareketli parçalardan uzak tutun.
10. Aleti çalışır durumda bırakmayın. Aleti sadece elinizde tutarken çalıştırın.
11. Aleti iş parçasından çıkarmadan önce daima anahtarı kapatın ve bıçağın tamamen durmasını bekleyin.
12. Çalıştıktan hemen sonra bıçağa ya da iş parçasına dokunmayın; çok sıcak olabilir ve cildinizi yakabilirler.
13. Bu aleti gereksiz yere yüksüz çalıştırmayın.
14. Bazı malzemeler zehirli olabilen kimyasallar içerir. Toz yutmayı ve cilt temasını önlemek için tedbir alın. Malzeme sağlayıcısının güvenlik bilgilerine uyun.
15. Daima çalıştığınız malzeme ve yaptığınız iş için uygun maske/respiratör kullanın.

## BU TALİMATLARI MUHAFAZA EDİNİZ.

**UYARI:** Ürünü kullanırken (defalarca kullanınca kazanılan) rahatlık ve tanıdıklık duygusunun ilgili ürünün güvenli kurallarına sıkı sıkıya bağlı kalmanın yerine geçmesine İZİN VERMEYİN. YANLIŞ KULLANIM veya bu kullanma kılavuzunda belirtilen emniyet kurallarına uymama ciddi yaralanmaya neden olabilir.

## Batarya kartuşu hakkında önemli güvenlik talimatları

1. Batarya kartuşunu kullanmadan önce, tüm talimatları ve (1) batarya kartuşu, (2) batarya ve (3) ürün üzerindeki tüm uyarı işaretlerini okuyun.
2. Batarya kartuşunu demonte etmeyin.
3. Çalışma süresi aşırı derecede kısalırsa kullanmayı derhal bırakın. Aşırı ısınma, yanma riski hatta patlamaya neden olabilir.
4. Gözünüze elektrolit kaçarsa, gözlerinizi temiz suyla durulayın ve hemen tıbbi yardım alın. Görme kaybına yol açabilir.
5. Batarya kartuşuna kısa devre yaptırmayın:
  - (1) Terminallere herhangi bir iletken madde değdirmeyin.
  - (2) Batarya kartuşunu çiviler, madeni paralar, vb. gibi başka metal nesnelere aynı kaba koymaktan kaçının.
  - (3) Batarya kartuşunu yağmura ya da suya maruz bırakmayın.Kısa devre, büyük bir akım akışına, aşırı ısınmaya, olası yangınlara hatta bataryanın bozulmasına yol açabilir.

6. Aleti ve batarya kartuşunu sıcaklığın 50°C ya da daha yükseğe ulaştığı yerlerde saklamayın.
7. Aşırı derecede hasar görmüş ya da tamamen kullanılamaz durumda olsa bile batarya kartuşunu yakmayın. Batarya kartuşu ateşe atılırsa patlayabilir.
8. Bataryayı düşürmemeye ve çarpmamaya dikkat edin.
9. Hasarlı bataryayı kullanmayın.
10. Aletin içerdiği lityum-iyon bataryalar Tehlikeli Eşyalar Yönetmeliğinin gereksinimlerine tabidir.

Ticari nakliye işlemleri için, örneğin üçüncü taraflar, nakliye acenteleri tarafından yapılan nakliyelerde, paketlenme ve etiketleme gereksinimlerine uyulmalıdır.

Nakliyesi yapılacak ürünün hazırlanması için, tehlikeli maddeler konusunda uzman bir kişiye danışın. Lütfen muhtemelen daha ayrıntılı olan ulusal yönetmeliklere de uyun.

Açık kontakları bantlayın ya da maskeleyin ve bataryayı paketin içinde hareket etmeyecek şekilde paketlenin.

11. **Bataryanın elden çıkarılması ile ilgili yerel düzenlemelere uyunuz.**
12. **Bataryaları sadece Makita tarafından belirtilen ürünlerle kullanın.** Bataryaların uyumsuz ürünlerle takılması; yangın, aşırı ısınma, patlama ya da elektrolit sızıntısına neden olabilir.

## BU TALİMATLARI MUHAFAZA EDİNİZ.

**⚠DİKKAT:** Sadece orijinal Makita bataryalarını kullanın. Orijinal olmayan Makita bataryaları ya da üzerine değişiklik yapılmış bataryaların kullanımı bataryanın patlamasına ve sonuç olarak yangın, kişisel yaralanma ve hasara neden olabilir. Ayrıca Makita aleti ve şarj aletinin Makita tarafından sunulan garantisi de geçersiz olur.

## Maksimum batarya ömrü için ipuçları

1. **Batarya kartuşunu tamamen boşalmadan önce şarj edin. Aletin gücünün zayıflamaya başladığını fark ettiğinizde aleti durdurun ve batarya kartuşunu şarj edin.**
2. **Tam dolu bir batarya kartuşunu asla yeniden şarj etmeyin. Aşırı şarj etme bataryanın hizmet ömrünü kısaltır.**
3. **Batarya kartuşunu 10°C - 40°C oda sıcaklığında şarj edin. Sıcak bir batarya kartuşunu şarj etmeden önce soğumasını bekleyin.**

## İŞLEVSEL NİTELİKLER

**⚠DİKKAT:** Alet üzerinde ayarlama veya işleyiş kontrolü yapmadan önce aletin kapalı ve batarya kartuşunun ayrılmış olduğundan daima emin olun.

## Batarya kartuşunun takılması ve çıkarılması

**⚠DİKKAT:** Batarya kartuşunu takmadan ya da çıkarmadan önce aleti daima kapatın.

**⚠DİKKAT:** Batarya kartuşunu takarken veya çıkarırken aleti ve batarya kartuşunu sıkıca tutun. Aletin ve batarya kartuşunun sıkıca tutulmaması bunların düşürülmesine sebep olabilir ve alet ve batarya kartuşunun zarar görmesine ya da ciddi yaralanmasına yol açabilir.

► **Şek. 1:** 1. Kırmızı gösterge 2. Düğme 3. Batarya kartuşu

Batarya kartuşunu çıkarmak için, kartuşun ön tarafındaki düğmeyi kaydırarak kartuşu aletten çıkarın.

Batarya kartuşunu takmak için, batarya kartuşu üzerindeki dili yuvanın çentiği ile hizalayın ve yerine oturtun. Hafif bir tık sesi duyulana kadar itip yerine tam oturtmasını sağlayın. Düğmenin üst tarafındaki kırmızı gösterge görünüyorsa tam yerine kilitlenmemiş demektir.

**⚠DİKKAT:** Batarya kartuşunu daima kırmızı gösterge görünmeyecek şekilde tam olarak takın. Yerine tam oturmazsa, aletten yanlışlıkla düşebilir, sizin ya da çevrenizdeki kişilerin yaralanmasına neden olabilir.

**⚠DİKKAT:** Batarya kartuşunu zorlayarak takmayın. Kartuş kolay bir şekilde kaymıyorsa doğru yerleştirilmemiş demektir.

## Alet/batarya koruma sistemi

Bu alet bir alet/batarya koruma sistemi ile donatılmıştır. Bu sistem motara giden gücü otomatik olarak keserek uzun alet ve batarya ömrü sağlar. Alet veya batarya için aşağıdaki durumlardan biri söz konusu olduğunda aletin işleyişi otomatik olarak durur:

### Aşırı yük koruması

Batarya, anormal derecede yüksek akım çekmesine neden olacak şekilde kullanıldığında, alet hiçbir belirti vermeden otomatik olarak durur. Bu durumda, aleti kapatın ve aletin aşırı yüklenmesine neden olan uygulamayı durdurun. Daha sonra aleti yeniden başlaması için çalıştırın.

### Aşırı ısınma koruması

Alet veya batarya aşırı ısındığında otomatik olarak durur ve lamba yanıp söner. Bu durumda, yeniden çalıştırmadan önce aletin ve bataryanın soğumasını bekleyin.

### Aşırıdeşarj koruması

Batarya kapasitesi yeterli olmadığında, alet otomatik olarak durur. Aleti açarsanız, motor tekrar çalışır fakat kısa zaman sonra durur. Bu durumda, bataryayı aletten çıkarın ve bataryayı tekrar şarj edin.

## Kalan batarya kapasitesinin gösterilmesi

### Sadece göstergeli batarya kartuşları için

► **Şek.2:** 1. Gösterge lambaları 2. Kontrol düğmesi

Kalan batarya kapasitesini göstermesi için batarya kartuşu üzerindeki kontrol düğmesine basın. Gösterge lambaları birkaç saniye yanar.

Gösterge lambaları		Kalan kapasite
Yanıyor	Kapalı	
■ ■ ■ ■	□	%75 ila %100
■ ■ ■ □	□	%50 ila %75
■ ■ □ □	□	%25 ila %50
■ □ □ □	□	%0 ila %25

**NOT:** Kullanım koşullarına ve ortam sıcaklığına bağlı olarak, gösterilen değer gerçek kapasiteden biraz farklılık gösterebilir.

## Kesme eylemini seçme

► **Şek.3:** 1. Kesme eylemi değiştirme kolu

Bu alet yörüngesel ya da düz bir hatta (yukarı ve aşağı) kesme eylemi için kullanılabilir. Yörüngesel kesme eylemi dekupaj testere bıçağını kesme darbesi yönünde ileri doğru saplar ve kesme hızını büyük ölçüde artırır.

Kesme eylemini değiştirmek için, kesme eylemi değiştirme kolunu istenen kesme eylemi konumuna döndürmeniz yeterlidir. Uygun kesme eylemini seçmek için aşağıdaki tabloya başvurun.

Konum	Kesme eylemi	Uygulamalar
0	Düz hatta kesme eylemi	Yumuşak çelik, paslanmaz çelik ve plastik kesmek için. Ahşap ve kontrplakta temiz kesimler için.
I	Küçük yörüngeli kesme eylemi	Yumuşak çelik, alüminyum ve sert ahşap kesmek için.
II	Orta yörüngeli kesme eylemi	Ahşap ve kontrplak kesmek için. Alüminyum ve yumuşak çelikte hızlı kesimler için.
III	Geniş yörüngeli kesme eylemi	Ahşap ve kontrplakta hızlı kesimler için.

## Anahtar işlemi

Aleti açmak için kilitleme/açma düğmesine basın. Alet bekleme moduna geçer. Aleti çalıştırmak için bekleme modunda başlatma/durdurma düğmesine basın. Aleti durdurmak için başlatma/durdurma düğmesine tekrar basın. Alet bekleme moduna geçer. Aleti kapatmak için bekleme modunda kilitleme/açma düğmesine basın.

► **Şek.4:** 1. Kilitleme/açma düğmesi 2. Başlatma/durdurma düğmesi

**NOT:** Alet bekleme modunda hiçbir işlem yapılmadan 10 saniye bırakılırsa alet otomatik olarak kapanır ve lamba söner.

**NOT:** Aleti, çalışırken kilitleme/açma düğmesine basarak da durdurabilir ve kapatabilirsiniz.

## Ön lambanın yakılması

**⚠DİKKAT:** İşğe bakmayın ya da ışık kaynağını doğrudan görmeyin.

Lambayı açmak için kilitleme/açma düğmesine basın. Lambayı kapatmak için kilitleme/açma düğmesine tekrar basın.

**ÖNEMLİ NOT:** Alet fazla ısındığında lamba yanıp söner. Aleti yeniden çalıştırmadan önce tamamen soğutun.

**NOT:** Lamba lensini temizlemek için kuru bir bez kullanın. Aydınlatmayı azaltacağı için lamba lensinin çizilmemesine dikkat edin.

## Hız ayar kadranı

► **Şek.5:** 1. Hız ayar kadranı

Aletin hızı, hız ayar kadranı çevrilerek ayarlanabilir. 5 ile en yüksek hızı ve 1 ile en düşük hızı elde edebilirsiniz. Kesilecek iş parçasına uygun hızı seçmek için tabloya bakın. Bununla birlikte uygun hız, iş parçasının türü veya kalınlığına göre değişebilir. Genellikle yüksek hızlar iş parçalarını daha hızlı kesmenizi sağlar ancak bıçağın hizmet ömrü kısalmır.

İş parçası	Rakam
Ahşap	4 - 5
Yumuşak çelik	3 - 5
Paslanmaz çelik	3 - 4
Alüminyum	3 - 5
Plastik	1 - 4

**ÖNEMLİ NOT:** Hız kadranını "5"ten "1"e alırken kadranı saatin aksi yönünde çevirin. Kadranı zorlayarak saat yönünde çevirmeyin.

## Elektronik fonksiyon

Alet, kolay kullanım için elektronik fonksiyonlarla donatılmıştır.

- Yumuşak başlama  
Yumuşak başlama fonksiyonu başlangıç şoklarını en alt düzeye indirir ve aletin daha rahat başlamasını sağlar.



- Yumuşak yüksüz dönüş  
Hız ayar kadranını 2 veya daha yükseğe ayarlandığında titreşimi azaltmak ve dekupaj testere bıçağını kesme hattı ile kolayca hizalamak için alet iş parçasını kesmeye başlayana kadar alet devir hızını otomatik olarak azaltır. Alet iş parçasını kesmeye başladığında aletin hızı önceden ayarlanmış hızı çıkar ve alet durana kadar hız korunur.

**NOT:** Sıcaklık düşüken bu fonksiyon kullanılamayabilir.

## Yumuşak yüksüz dönüş fonksiyonunun devre dışı bırakılması

Yumuşak yüksüz dönüş fonksiyonunu devre dışı bırakmak için aşağıdaki adımları izleyin.

1. Aletin kapalı olduğunu kontrol edin.
2. Hız ayar kadranını "1"e ayarlayın.
3. Aleti açmak için kilitleme/açma düğmesine basın.
4. Hız ayar kadranını çevirerek "5"e ayarlayın ve daha sonra geri çevirerek "1"e ayarlayın.

Yumuşak yüksüz dönüş fonksiyonunun devre dışı bırakıldığını göstermek üzere lamba iki kez yanıp söner. Bu fonksiyonu yeniden devreye almak için aynı prosedürü tekrar uygulayın.

**NOT:** Yumuşak yüksüz dönüş fonksiyonu devre dışı bırakılırsa alet açıldığında lamba iki kez yanıp söner.

**NOT:** Yumuşak yüksüz dönüş fonksiyonunu, hız ayar kadranını "5"ten "1"e ve ardından "1"den "5"e alarak da devre dışı bırakabilir veya devreye alabilirsiniz.

## MONTAJ

**⚠DİKKAT:** Alet üzerinde herhangi bir iş yapmadan önce aletin kapalı ve batarya kartuşunun ayrılmış olduğundan daima emin olun.

## Dekupaj testere bıçağının takılması veya çıkarılması

**⚠DİKKAT:** Her zaman dekupaj testere bıçağına ve/veya bıçak tutucusu yapışmış yabancı maddeleri temizleyin. Böyle yapılmaması bıçağın gevşek kalmasına neden olarak, ciddi kişisel yaralanmalara yol açabilir.

**⚠DİKKAT:** İşlemin hemen ardından dekupaj testere bıçağına ya da iş parçasına dokunmayın. Bu parçalar aşırı derecede sıcak olabilir ve cilt yanıklarına yol açabilir.

**⚠DİKKAT:** Dekupaj testere bıçağını daima iyice sabitleyin. Bıçağın yeterince sıkılmaması bıçağın kırılmasına ya da ciddi kişisel yaralanmalara neden olabilir.

**⚠DİKKAT:** Sadece B tipi dekupaj testere bıçağı kullanın. B tipi dışındaki bıçakların kullanılması bıçağın yeterince sıkılmamasına neden olarak, ciddi kişisel yaralanmalara yol açabilir.

**⚠DİKKAT:** Dekupaj testere bıçağını çıkarırken bıçağın üst kısmı veya iş parçasının uçları ile parmaklarınızı yaralamamaya dikkat edin.

Dekupaj testere bıçağını takmadan önce bıçak sabitleme kolunun boş konumda olduğunu kontrol edin. Dekupaj testere bıçağını takmak için bıçağı (dişleri ileri bakacak şekilde) bıçak tutucusuna sokun. Kol sabit konuma gelir ve bıçak kilitletir. Bıçağın arka kenarının silindirin içine oturduğundan emin olun. Çalışma sırasında bıçağın düşmeyeceğinden emin olmak için bıçağı hafif çekin.

► **Şek.6:** 1. Dekupaj testere bıçağı tutucusu 2. Boş konum 3. Sabit konum

► **Şek.7:** 1. Dekupaj testere bıçağı tutucusu 2. Dekupaj testere bıçağı

**⚠DİKKAT:** Kol sabit konuma gelmezse bıçak tam olarak takılmaz. Kolu elle bastırarak sabit konuma almayın. Alete hasar verebilir.

Dekupaj testere bıçağını çıkarmak için kolu ileri doğru sonuna kadar itirin. Bu, bıçağın bırakılmasını sağlar.

► **Şek.8:** 1. Dekupaj testere bıçağı tutucusu 2. Dekupaj testere bıçağı

**NOT:** Silindiri ara sıra yağlayın.

## Altıgen anahtarın saklanması

► **Şek.9:** 1. Kanca 2. Altıgen anahtar

Kullanılmadığı zamanlarda, altıgen anahtarın kaybolmasını önlemek için anahtarı şekilde gösterildiği gibi saklayın.

Önce, altıgen anahtarı deliğe sokun. Ardından, kilitlemene kadar kancaya doğru itin.

## KULLANIM

**⚠DİKKAT:** Tabanı daima iş parçasına dayalı tutun. Böyle yapılmaması dekupaj testere bıçağının kırılmasına neden olarak, ciddi bir yaralanmaya yol açabilir.

**⚠DİKKAT:** Eğimli yerleri keserken veya kaydırarak keserken aleti çok yavaş bir şekilde ilerletin. Aleti zorlamak kesim yüzeyinin eğri olmasına ve dekupaj testere bıçağının kırılmasına yol açabilir.

► **Şek.10:** 1. Kesme hattı 2. Taban

Dekupaj testere bıçağı hiçbir şeyle temas etmeyecek konumdayken aleti çalıştırın ve bıçağın tam hıza ulaşmasını bekleyin. Ardından tabanı iş parçasının üzerine düz olarak yerleştirin ve aleti önceden işaretlenen kesme hattı üzerinde yavaşça ilerletin.

## Eğimli kesim

**⚠DİKKAT:** Tabanı eğmeden önce aletin kapalı ve batarya kartuşunun çıkartılmış olduğundan daima emin olun.

Tabanı eğimli bir şekilde tutarak 0° ve 45° arasında (sol veya sağ) istediğiniz açıda eğimli kesimler yapabilirsiniz.

► **Şek.11**

Tabanın arka kısmı üzerindeki civatayı altıgen anahtarla gevşetin. Civata, tabanda yer alan artı şekilli yarığın merkezinde konumlanacak şekilde tabanı hareket ettirin.

► **Şek.12:** 1. Altıgen anahtar 2. Civata 3. Taban  
İstenen eğimli açı elde edilene kadar tabanı eğin. Motor yuvasının kenarında eğim açıları derecelendirmelerle belirtilir. Ardından, tabanı sabitlemek için civatayı sıkılayın.

► **Şek.13:** 1. Kenar 2. Derecelendirme

## Önden dayanılarak yapılan kesimler

► **Şek.14:** 1. Altıgen anahtar 2. Civata 3. Taban

Tabanın arka kısmı üzerindeki civatayı altıgen anahtarla gevşetin ve tabanı geriye doğru sonuna kadar kaydırın. Ardından, tabanı sabitlemek için civatayı sıkılayın.

## Kesimler

Kesimler iki yöntemden biri kullanılarak yapılabilir: "Başlangıç deliği açma" veya "Dik kesim".

## Başlangıç deliği açma

► **Şek.15**

Bir kenardan giriş kesimi yapılmayan dahili kesimler için, önce çapı 12 mm veya üzerinde olan bir başlangıç deliği açın. Kesiminize başlamak için dekupaj testere bıçağını bu deliğe yerleştirin.

## Dik kesim

► **Şek.16**

Aşağıda anlatılanları dikkatlice uygularsanız bir başlangıç deliği delmeniz ya da bir giriş kesimi yapmanız gerekmez.

1. Dekupaj testere bıçağı noktasının iş parçası yüzeyinin hemen üzerinde olduğu konumda, alete tabanın ön kenarı üzerinde yukarı doğru eğim verin.
2. Aleti çalıştırdığınızda tabanın ön kenarı hareket etmeyecek şekilde alete basınç uygulayın ve aletin arka ucunu yavaşça ve nazikçe indirin.
3. Dekupaj testere bıçağı iş parçasını delerken aletin tabanını yavaşça iş parçasının yüzeyine doğru indirin.
4. Kesimi normal şekilde tamamlayın.

## Kenarların finişinin yapılması

► **Şek.17**

Kenarları düzeltmek veya boyut ayarlamaları yapmak için, dekupaj testere bıçağını kesim kenarları boyunca hafifçe gezdirin.

## Metal kesme

Metal keserken her zaman uygun bir soğutucu (kesme yağı) kullanın. Böyle yapmamak, dekupaj testere bıçağında belirgin aşınmaya sebep olur. Soğutucu kullanmak yerine iş parçasının alt tarafı yağlanabilir.

## Toz çekme

### İsteğe bağlı aksesuarlar

Bu alet Makita marka bir elektrikli süpürgeye bağlanarak temiz kesme işlemleri yapılabilir.

## Toz kapağının takılması veya çıkarılması

Toz kapağını şekilde gösterildiği gibi takın.

► **Şek.18:** 1. Toz kapağı

Toz kapağını çıkarmak için şekilde gösterildiği gibi kapağın bir tarafına bastırın ve daha sonra çıkarın.

► **Şek.19:** 1. Toz kapağı

## Toz ağızlığının takılması veya çıkarılması

Toz ağızlığını alete sonuna kadar sokun.

► **Şek.20:** 1. Toz ağızlığı

Toz ağızlığını çıkarmak için toz ağızlığının üzerindeki düğmeye basarak toz ağızlığını dışarı çekin.

► **Şek.21:** 1. Düğme 2. Toz ağızlığı

## Aletin elektrikli süpürgeye bağlanması

Elektrikli süpürge hortumunu toz ağızlığına bağlayın.

► **Şek.22**

## Destek perdesi

### İsteğe bağlı aksesuar

**⚠ DİKKAT:** Aksesuarları takmadan ya da çıkarmadan önce aletin kapalı ve batarya kartuşunun çıkartılmış olduğundan daima emin olun.

## Düz kesimler

Art arda 160 mm veya daha küçük genişliğe sahip kesimler yaparken, destek perdesi kullanılması hızlı, temiz düz kesimler yapılmasını sağlar.

► **Şek.23:** 1. Destek perdesi (Kılavuz çubuğu)

Takmak için, destek perdesini perde kılavuzu aşağı bakacak şekilde tabanın yan tarafındaki dikdörtgen deliğe yerleştirin. Destek perdesini istenen kesim genişliği konumuna kaydırın ve ardından sabitlemek için civatayı sıkılayın.

► **Şek.24:** 1. Altıgen anahtar 2. Civata 3. Perde kılavuzu 4. Destek perdesi (Kılavuz çubuğu)

## Dairesel kesimler

Çapı 170 mm ya da daha düşük daireler veya yaylar keserken, destek perdesini aşağıdaki gibi takın.

► **Şek.25:** 1. Destek perdesi (Kılavuz çubuğu)

1. Destek perdesini perde kılavuzu yukarı bakacak şekilde tabanın yan tarafındaki dikdörtgen deliğe yerleştirin.

2. Dairesel kılavuz pimini perde kılavuzu üzerindeki iki delikten birine takın. Pimi sabitlemek için, dişli düğmeyi pimin üzerine vidalayın.

► **Şek.26:** 1. Dişli düğme 2. Perde kılavuzu 3. Destek perdesi (Kılavuz çubuğu) 4. Pim

3. Destek perdesini istenen kesim çapına kaydırın ve yerine sabitlemek için civatayı sıkılayın. Ardından tabanı ileri doğru sonuna kadar hareket ettirin.

**NOT:** Daireler veya yaylar keserken daima B-17, B-18, B-26 veya B-27 numaralı dekupaj testere bıçaklarını kullanın.

## Kıymık önleyici cihaz

### İsteğe bağlı aksesuarlar

**⚠DİKKAT:** Eğimli kesimler yaparken kıymık önleyici cihaz kullanılamaz.

► **Şek.27:** 1. Taban 2. Kıymık önleyici cihaz

Kıymıksız kesimler için kıymık önleyici cihaz kullanılabılır. Kıymık önleyici cihazı takmak için alet tabanını tamamen öne itin ve alet tabanının arkasından yerleştirin. Kapak plakasını kullandığınızda, kıymık önleyici cihazı kapak plakasına takın.

## Kapak plakası

### İsteğe bağlı aksesuarlar

► **Şek.28:** 1. Kapak plakası 2. Taban

Dekoratif kaplamalar, plastik vb. keserken kapak plakasını kullanın. Hassas ve kırılabilir yüzeyleri zarardan korur. Alet tabanının arkasına yerleştirin.

## Kılavuz ray adaptör seti

### İsteğe bağlı aksesuarlar

Paralel ve eşit genişlikte kesim yaparken veya düz kesim yaparken kılavuz rayın ve kılavuz ray adaptörünün kullanılması hızlı ve temiz kesimler yapılmasını sağlar. Kılavuz ray adaptörünü takmak için cetvel çubuğu tabanın dört köşe deliğine sonuna kadar sokun. Cıvatarı altıgen anahtarla iyice sıkın.

► **Şek.29:** 1. Altıgen anahtar 2. Cetvel çubuk

Cetvel çubuğu kılavuz ray adaptörünün dört köşe deliğine sokun ve vidayı iyice sıkın. Kılavuz ray adaptörünü kılavuz rayın üzerinde yerleştirin.

► **Şek.30:** 1. Kılavuz ray adaptörü 2. Kılavuz ray 3. Vida

**ÖNEMLİ NOT:** Kılavuz ray ve kılavuz ray adaptörünü kullanırken daima B-8, B-13, B-16, B-17 veya 58 numaralı bıçakları kullanın.

## BAKIM

**⚠DİKKAT:** Muayene ya da bakım yapmadan önce aletin kapalı ve batarya kartuşunun çıkartılmış olduğundan daima emin olun.

**ÖNEMLİ NOT:** Benzin, tiner, alkol ve benzeri maddeleri kesinlikle kullanmayın. Renk değişimi, deformasyon veya çatlaklar oluşabilir.

Aleti EMNİYETLİ ve ÇALIŞMAYA HAZIR durumda tutmak için onarımlar, başka her türlü bakım ve ayarlamalar daima Makita yedek parçaları kullanılarak Makita yetkili servis merkezleri veya Fabrikanın Servis Merkezleri tarafından yapılmalıdır.

## İSTEĞE BAĞLI AKSESUARLAR

**⚠DİKKAT:** Bu aksesuarlar ve ek parçalar bu el kitabında belirtilen Makita aletiniz ile kullanılmak için tavsiye edilmektedir. Herhangi başka bir aksesuar ya da ek parça kullanılması insanlar için bir yaralanma riski getirebilir. Aksesuarları ya da ek parçaları yalnızca belirtilmiş olan kullanım amaçlarına uygun olarak kullanın.

Bu aksesuarlarla ilgili daha fazla bilgiye ihtiyaç duyar-sanız bulunduğunuz yerdeki yetkili Makita servisine başvurun.

- Dekupaj testere bıçakları
- Altıgen anahtar 3
- Destek perdesi (kılavuz çubuğu) seti
- Kılavuz ray adaptör seti
- Kıymık önleyici cihaz
- Hortum (Elektrikli süpürge için)
- Kapak plakası
- Toz ağızlığı
- Toz kapağı
- Orijinal Makita batarya ve şarj aleti

**NOT:** Listedeki parçaların bazıları alet paketi içerisinde standart aksesuar olarak dahil edilmiş olabilir. Bunlar ülkeden ülkeye farklılık gösterebilir.

**Makita Europe N.V.** Jan-Baptist Vinkstraat 2,  
3070 Kortenberg, Belgium

**Makita Corporation** 3-11-8, Sumiyoshi-cho,  
Anjo, Aichi 446-8502 Japan

[www.makita.com](http://www.makita.com)

885594B991  
EN, FR, DE, IT, NL,  
ES, PT, DA, EL, TR  
20190110