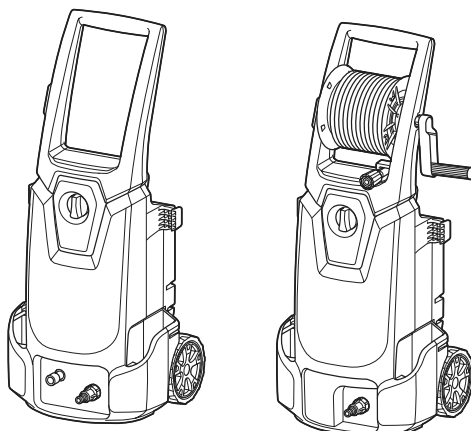




EN	High Pressure Washer	INSTRUCTION MANUAL	8
FR	Nettoyeur Haute Pression	MANUEL D'INSTRUCTIONS	17
DE	Hochdruckreiniger	BETRIEBSANLEITUNG	27
IT	Idropulitrice ad alta pressione	ISTRUZIONI PER L'USO	38
NL	Hogedrukreiniger	GEBRUIKSAANWIJZING	48
ES	Hidrolavadora de alta presión	MANUAL DE INSTRUCCIONES	58
PT	Lavadora de alta Pressão	MANUAL DE INSTRUÇÕES	68
DA	Højtryksrensere	BRUGSANVISNING	78
EL	Πλυστικό μηχάνημα υψηλής πίεσης	ΕΓΧΕΙΡΙΔΙΟ ΟΔΗΓΙΩΝ	87
TR	Basınçlı Yıkama Makinası	KULLANMA KILAVUZU	98

HW1200
HW1300



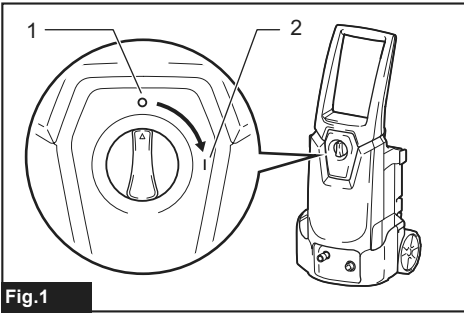


Fig.1

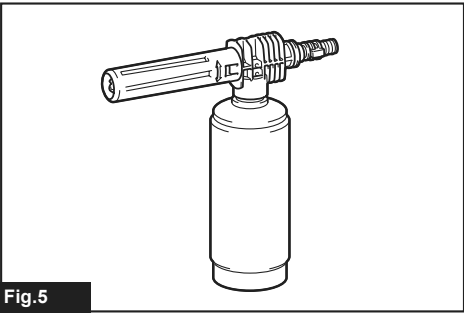


Fig.5

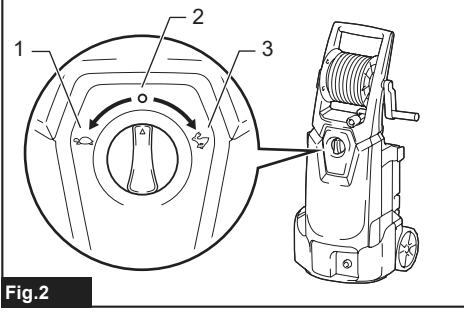


Fig.2

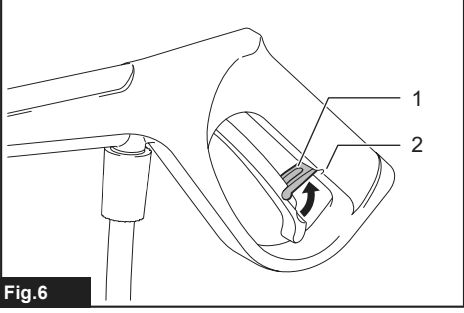


Fig.6

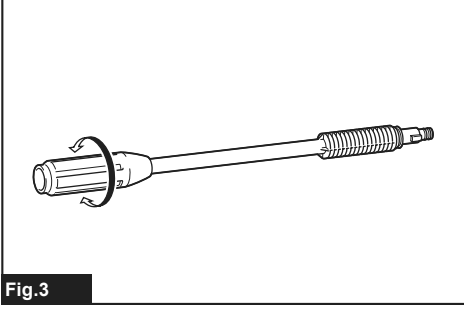


Fig.3

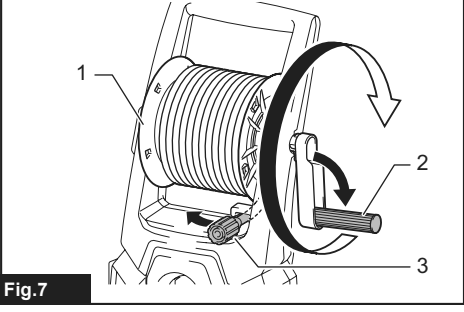


Fig.7

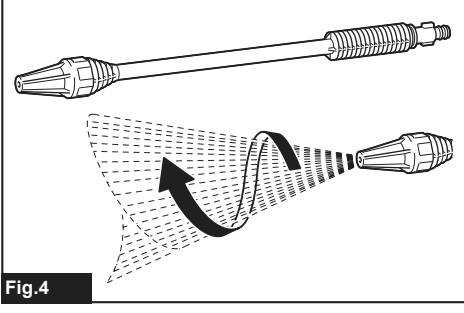


Fig.4

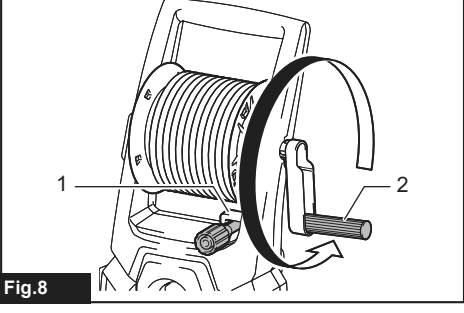


Fig.8

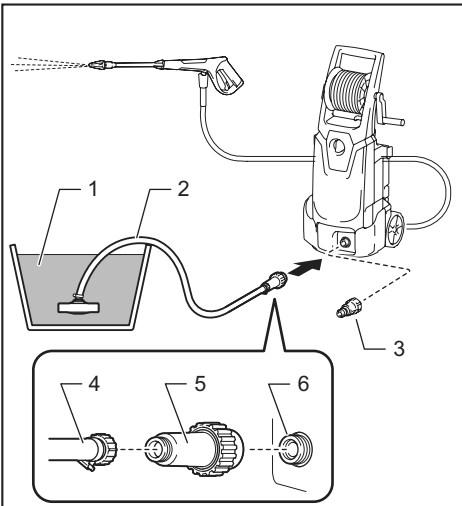


Fig.9

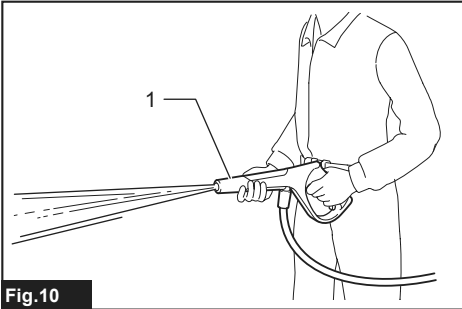


Fig.10

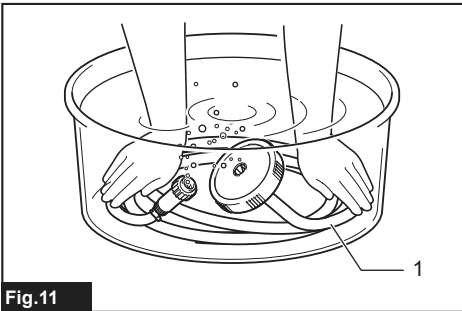


Fig.11

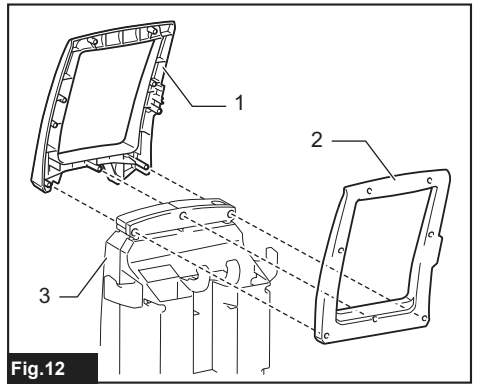


Fig.12

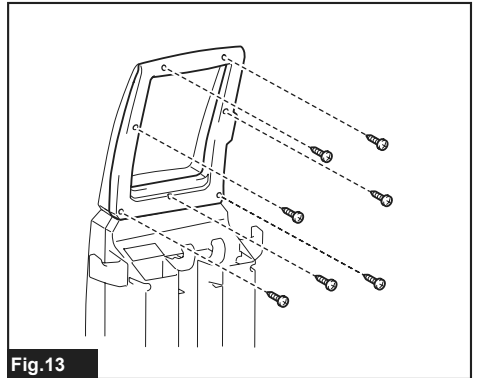


Fig.13

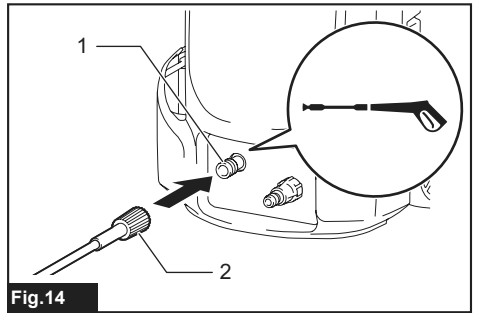


Fig.14

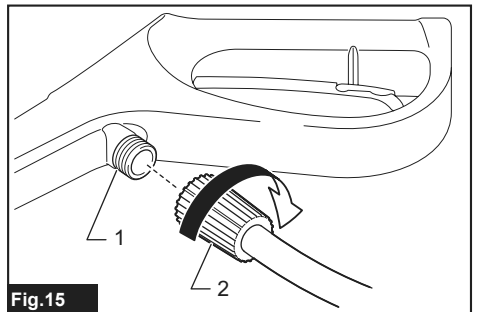


Fig.15

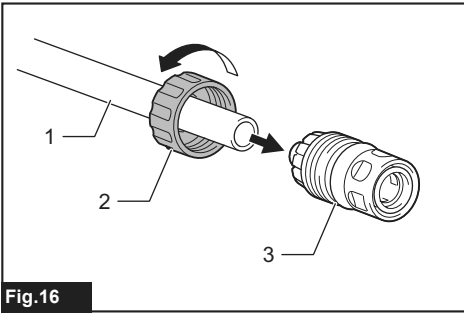


Fig.16

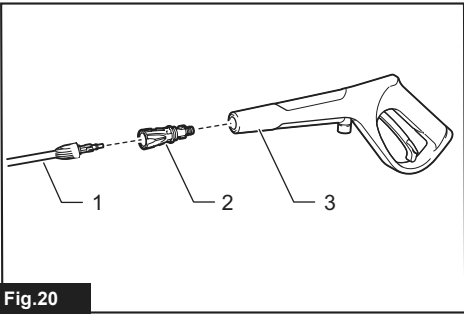


Fig.20

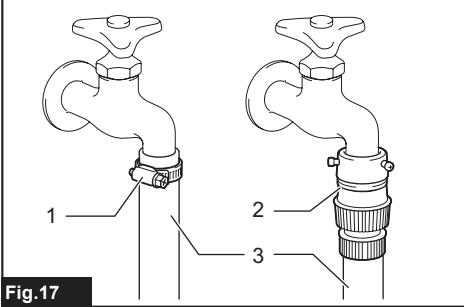


Fig.17

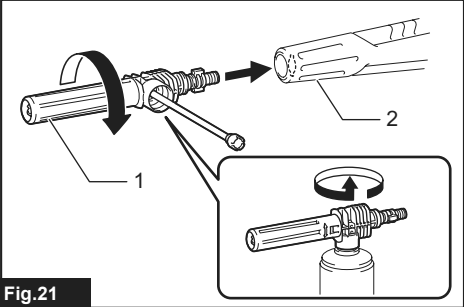


Fig.21

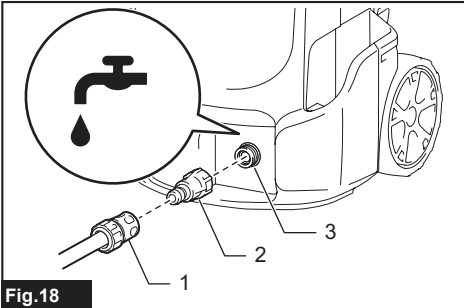


Fig.18

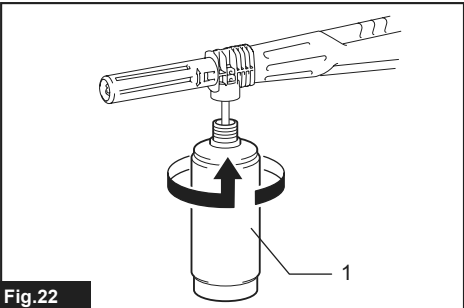


Fig.22

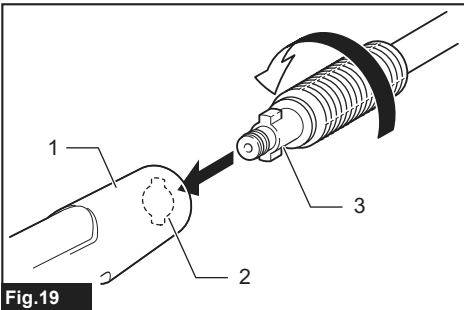


Fig.19

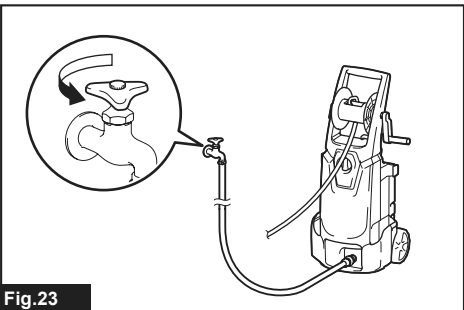


Fig.23

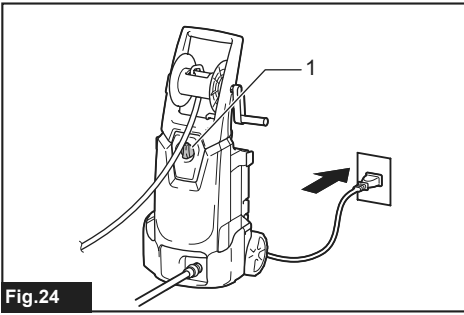


Fig.24

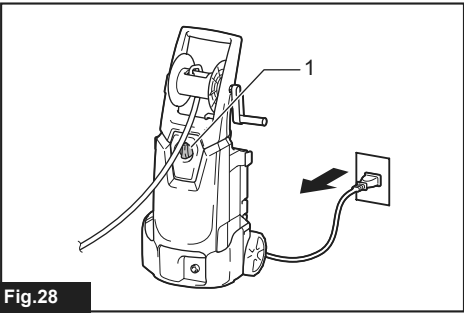


Fig.28

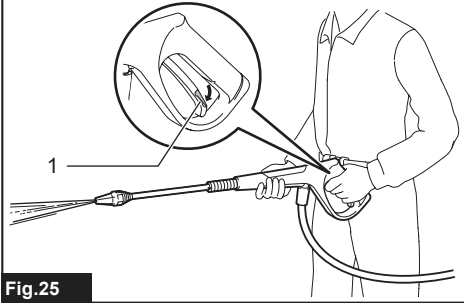


Fig.25

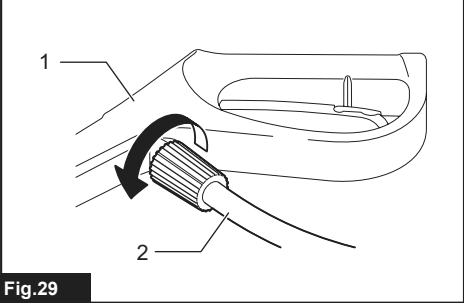


Fig.29

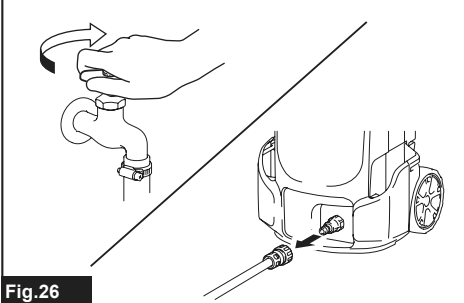


Fig.26

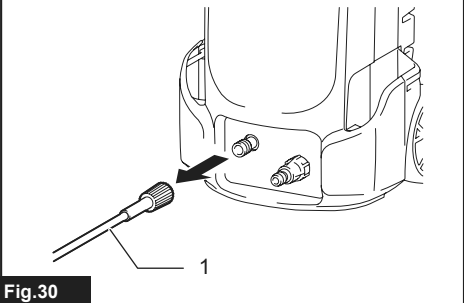


Fig.30

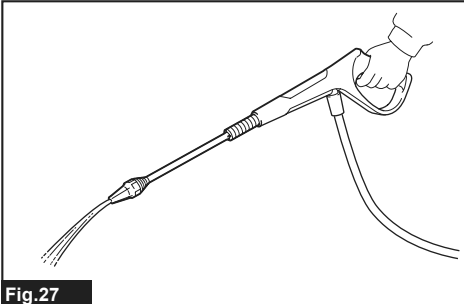


Fig.27

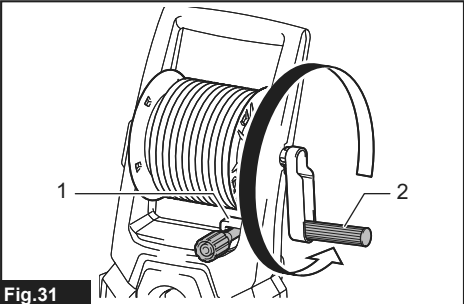


Fig.31

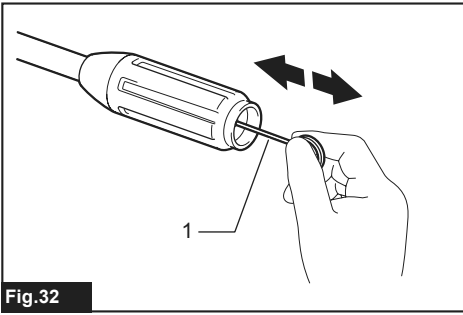


Fig. 32

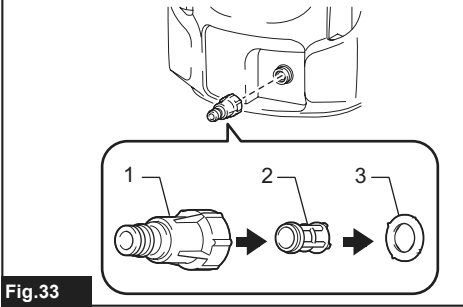


Fig. 33

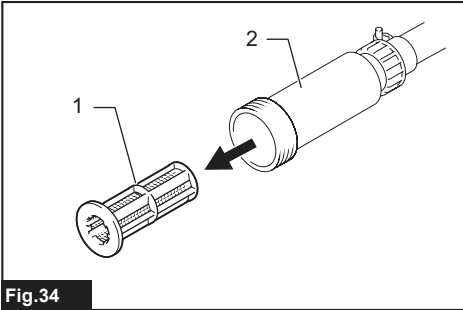


Fig. 34

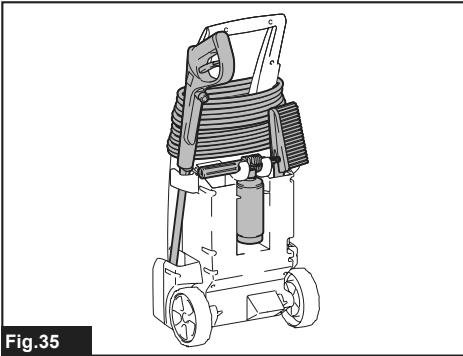


Fig. 35

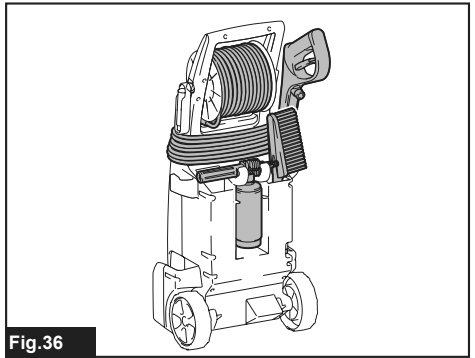


Fig. 36

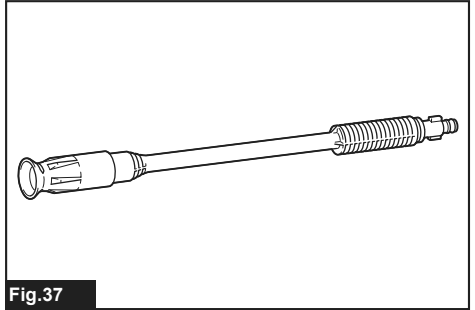


Fig. 37

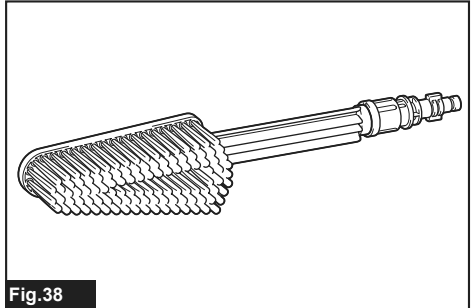


Fig. 38

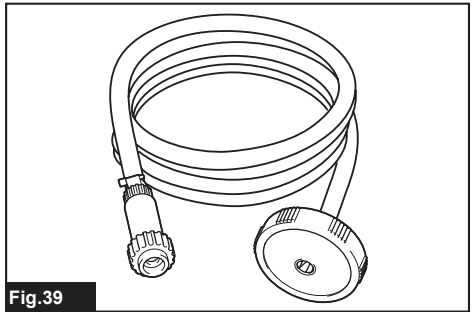


Fig. 39

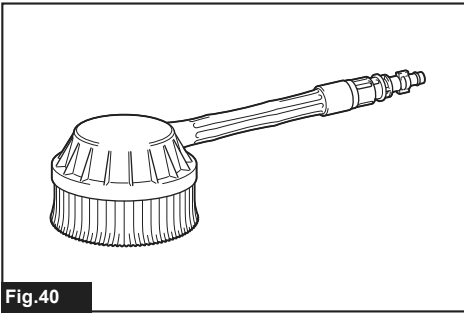


Fig.40

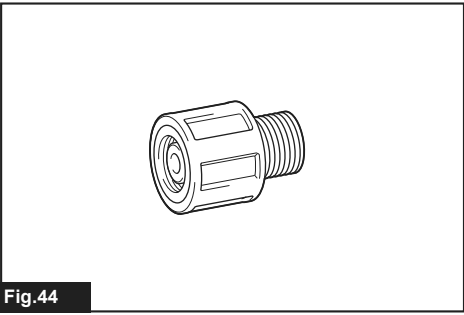


Fig.44

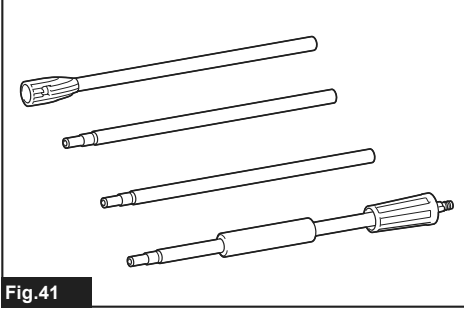


Fig.41

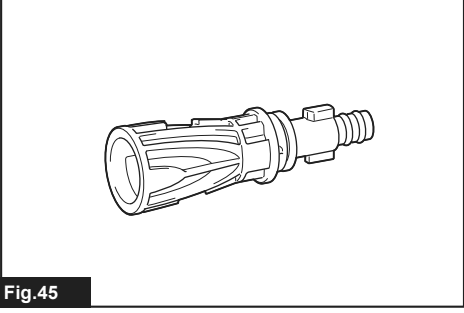


Fig.45

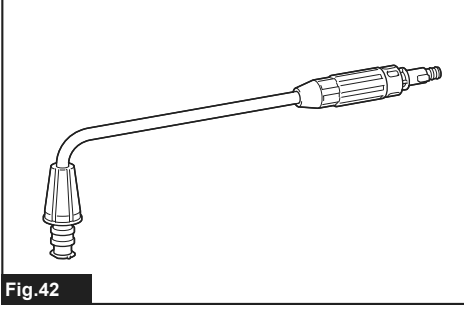


Fig.42

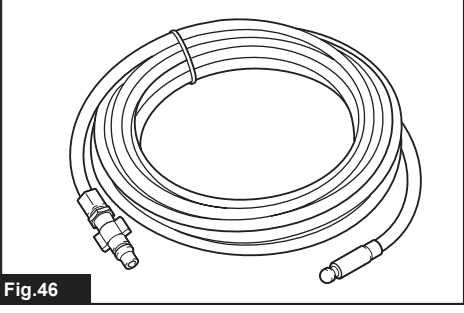


Fig.46

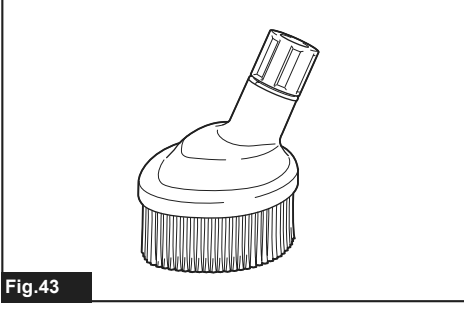


Fig.43

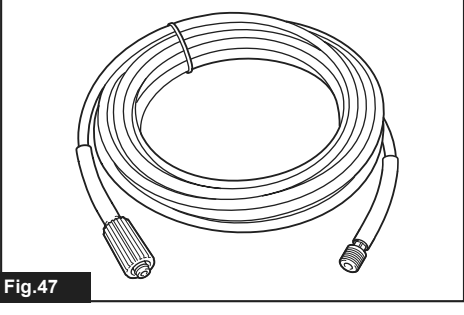


Fig.47

WARNING

- Machines shall not be used by children. Children should be supervised to ensure that they do not play with the machine.
- This machine is not intended for use by persons (including children) with reduced physical, sensory, or mental capabilities, or lack of experience and knowledge.
- This machine has been designed for use with the cleaning agent supplied or recommended by the manufacturer. The use of other cleaning agents or chemicals may adversely affect the safety of the machine.
- High pressure jets can be dangerous if subject to misuse. The jet must not be directed at persons, live electrical equipment or the machine itself.
- Do not use the machine within range of persons unless they wear protective clothing.
- Do not direct the jet against yourself or others in order to clean clothes or foot-wear.
- Risk of explosion – Do not spray flammable liquids.
- High pressure cleaners shall not be used by children or untrained personnel.
- High pressure hoses, fittings and couplings are important for the safety of the machine. Use only hoses, fittings and couplings recommended by the manufacturer.
- To ensure machine safety, use only original spare parts from the manufacturer or approved by the manufacturer.
- Always be sure that the tool is switched off and unplugged before carrying out any work on the tool.
- Do not use the machine if a supply cord or important parts of the machine are damaged, e.g. safety devices, high pressure hoses, trigger gun.
- Inadequate extension cords can be dangerous. If an extension cord is used, it shall be suitable for outdoor use, and the connection has to be kept dry and off the ground. It is recommended that this is accomplished by means of a cord reel which keeps the socket at least 60 mm above the ground.

- Always switch off the mains disconnecting switch when leaving the machine unattended.
- Comply with the requirements of the local water supply company.
- For European countries:
According to EN12729 (BA), the appliance can also be connected to the mains drinking water supply if a backflow preventer valve with drain facility is installed in the supply hose.






SPECIFICATIONS

Model:		HW1200	HW1300
Max. feed volume		7.0 l/min	7.5 l/min
Water flow rate		5.5 l/min	6.0 l/min
Max. permissible pressure		12 MPa (120 bars)	13 MPa (130 bars)
Working pressure	High mode	10 MPa (100 bars)	11 MPa (110 bars)
	Low mode	-	8 MPa (80 bars)
Max. feed pressure		1 MPa (10 bars)	
Max. feed temperature		40 °C	
Max. suction height		1.0 m	
Dimensions (L x W x H)		292 mm x 358 mm x 830 mm	
Weight		11.0 kg	12.7 kg
Motor protection		IPX5	

- Due to our continuing program of research and development, the specifications herein are subject to change without notice.
- Specifications may differ from country to country.
- Weight according to EPTA-Procedure 01/2003

Symbols

The following show the symbols used for the equipment. Be sure that you understand their meaning before use.

	Read the instruction manual.
	Take particular care and attention.
	DOUBLE INSULATION
	Only for EU countries Do not dispose of electric equipment together with household waste material! In observance of the European Directive, on Waste Electric and Electronic Equipment and its implementation in accordance with national law, electric equipment that have reached the end of their life must be collected separately and returned to an environmentally compatible recycling facility.
	Do not direct the jet at people including yourself, animals, and live electrical equipments.



Not suitable for connection to the potable water mains.

Intended use

This tool is intended for cleaning stubborn dirt by using water jet. This tool is intended for household use.

Power supply

The tool should be connected only to a power supply of the same voltage as indicated on the nameplate, and can only be operated on single-phase AC supply. They are double-insulated and can, therefore, also be used from sockets without earth wire.

For public low-voltage distribution systems of between 220 V and 250 V

Switching operations of electric apparatus cause voltage fluctuations. The operation of this device under unfavorable mains conditions can have adverse effects to the operation of other equipment. With a mains impedance equal or less than 0.25 Ohms it can be presumed that there will be no negative effects. The mains socket used for this device must be protected with a fuse or protective circuit breaker having slow tripping characteristics.

Noise

The typical A-weighted noise level determined according to EN60335-2-79:

Model HW1200

Sound pressure level (L_{pA}) : 72 dB(A)
Uncertainty (K) : 3.8 dB(A)

Model HW1300

Sound pressure level (L_{pA}) : 76 dB(A)
Uncertainty (K) : 2.4 dB(A)

The noise level under working may exceed 80 dB (A).

⚠ WARNING: Wear ear protection.

Vibration

The vibration total value (tri-axial vector sum) determined according to EN60335-2-79:

Model HW1200

Vibration emission (a_n) : 4.11 m/s²
Uncertainty (K) : 1.5 m/s²

Model HW1300

Vibration emission (a_n) : 4.86 m/s²
Uncertainty (K) : 1.5 m/s²

NOTE: The declared vibration emission value has been measured in accordance with the standard test method and may be used for comparing one tool with another.

NOTE: The declared vibration emission value may also be used in a preliminary assessment of exposure.

⚠ WARNING: The vibration emission during actual use of the power tool can differ from the declared emission value depending on the ways in which the tool is used.

⚠ WARNING: Be sure to identify safety measures to protect the operator that are based on an estimation of exposure in the actual conditions of use (taking account of all parts of the operating cycle such as the times when the tool is switched off and when it is running idle in addition to the trigger time).

EC Declaration of Conformity

For European countries only

The EC declaration of conformity is included as Annex A to this instruction manual.

SAFETY WARNINGS

⚠ WARNING: Read all safety warnings and all instructions. Failure to follow the warnings and instructions may result in electric shock, fire and/or serious injury.

Save all warnings and instructions for future reference.

Work area safety

1. Keep operating area clear of all persons.
2. Do not overreach or stand on unstable supports. Keep good footing and balance at all times.
3. Always place the high pressure washer body on a level and stable surface. Avoid areas where the ejected water will run or pool.
4. Before cleaning, check the surroundings and objects to be cleaned. High pressure jets can scrape away paint or other surface treatments including toxic chemicals. Take the preventive measures if necessary.
5. Be careful not to trip over by the cord or hose of the high pressure washer. Always be aware of the configuration of the cord and hose during operation.
6. During use, a small amount of water will come out from the bottom of the high pressure washer. Avoid locating the high pressure washer in the areas where you don't want to wet.

Personal safety

1. To protect against the jet and objects by the jet, operators should wear appropriate clothing such as safety boots, safety gloves, safety helmets with visors, hearing protection, etc.
2. Do not use the high pressure washer within range of persons unless they wear protective clothing.
3. To reduce the risk of injury, close supervision is necessary when the product is used near children.
4. Water that has flowed through backflow preventer is considered to be non-potable.

Electrical safety

1. Never use the high pressure washer outdoors in the rain.
2. Never touch the mains plug and/or socket with wet hands.
3. Do not use the machine if the supply cord or important parts of the machine are damaged, e.g. safety devices, high pressure hoses, or the trigger gun.
4. Plug must match the outlet. Never modify the plug in any way. Do not use any adapter plug with grounded tools. Unmodified plug and matching outlet will reduce risk of the electric shock.
5. Inadequate extension cords can be dangerous. If an extension cord is used, it shall be suitable for outdoor use, and the connection has to be kept dry and off the ground. It is recommended that this is accomplished by means of a cord reel which keeps the socket at least 60 mm above the ground.
6. Note the following when using extension cords:
 - Use only extension cords that are intended for outdoor use.

- Use only extension cords with an electrical rating equal to or higher than the rating of the product.
 - Do not use damaged extension cords.
 - Examine extension cords before use and replace if damaged.
 - Do not abuse extension cords and do not yank on cords to disconnect them.
 - Keep cords away from heat and sharp edges.
 - Always disconnect the extension cord from the receptacle before disconnecting the product from the extension cord.
7. The electric supply connection shall be made by a qualified electrician and comply with IEC 60364-1. It is recommended that the electric supply to this machine should include either a residual current device that will interrupt the supply if the leakage current to earth exceeds 30 mA for 30 ms or a device that will prove the earth circuit.

Power tool use and care

1. Read all the instructions before using the product.
2. Know how to stop the high pressure washer and bleed pressures quickly. Be thoroughly familiar with the controls.
3. High pressure jets can be dangerous if misused. The jet must not be directed at people, live electrical equipment, or the machine itself.
4. This machine is not intended for use by persons (including children) with reduced physical, sensory, or mental capabilities, or lack of experience and knowledge.
5. Children should be supervised to ensure that they do not play with the appliance.
6. Do not spray flammable and/or toxic liquids. This may cause an explosion, intoxication, or damage to the machine.
7. Do not direct the jet against yourself or others in order to clean clothes or foot-wear.
8. High-pressure hoses, fittings and couplings are important for the safety of the machine. Use only hoses, fittings and couplings recommended by the manufacturer.
9. Follow the instructions when changing accessories.
10. Keep handles dry, clean, and free of oil or grease.
11. Stay alert – watch what you are doing.
12. Do not operate the product when fatigued or under the influence of alcohol or drugs.
13. Do not run the high pressure washer without water for longer than one minute. It will damage the motor, resulting in malfunction.
14. Always turn off the power and shut off the water mains when leaving the high pressure washer unattended.
15. Be wary of the kickback. The trigger gun recoils when the high pressure jet is ejected from the nozzle. Hold the trigger gun firmly to prevent accidental injuries.

16. Check for damaged or worn parts before use. Also make sure that the hose is properly connected and there is no leakage during operation. Operating the machine with functional defects may cause an accident.
17. This machine has been designed for use with the cleaning agent supplied or recommended by the manufacturer. The use of other cleaning agents or chemicals may adversely affect the safety of the machine.
18. Do not pull the cord and/or hose to move the high pressure washer body. This will damage the cord, hose, and connecting parts and result in a short circuit or functional defects.
19. Do not put heavy objects on the hose or let vehicles drive over it.
20. Always discharge the residual pressure in the trigger gun before disconnecting the hose.
21. When connecting the hose to the water mains, observe the instructions of your local water-works department or company.

Service

1. Follow the maintenance instructions specified in the manual.
2. To ensure machine safety, use only original spare parts from the manufacturer or approved by the manufacturer.
3. Have your high pressure washer serviced by a qualified repair person using only identical replacement parts. This will ensure that the safety of the high pressure washer is maintained.
4. In case of breakdown or malfunction of the high pressure washer, immediately switch it off and remove the mains plug. Contact your local dealer or service center.

SAVE THESE INSTRUCTIONS.

⚠WARNING: DO NOT let comfort or familiarity with product (gained from repeated use) replace strict adherence to safety rules for the subject product.

MISUSE or failure to follow the safety rules stated in this instruction manual may cause serious personal injury.

FUNCTIONAL DESCRIPTION

CAUTION: Always be sure that the tool is switched off and unplugged before adjusting or checking function on the tool.

Power switch

NOTICE: Do not turn the power switch forcibly. This may cause the switch to malfunction.

For the HW1200

► Fig.1: 1. OFF position 2. ON position

Turn the power switch clockwise to switch on the high pressure washer.

For the HW1300

Turn the power switch clockwise or counterclockwise depending on the pressure level. Turn the power switch clockwise for high pressure mode, counterclockwise for low pressure mode.

► Fig.2: 1. Low pressure mode 2. OFF position 3. High pressure mode

Nozzle functions

Vario-Power spray lance

► Fig.3

Jet pressure can be adjusted by rotating the nozzle.

CAUTION: When adjusting the jet pressure, do not rotate the nozzle while pulling it toward the trigger gun. The nozzle may come off from the trigger gun and cause a personal injury.

Dirt blaster

► Fig.4

A spiral jet is ejected. Suitable for removing stubborn dirt.

NOTICE: Do not use the dirt blaster to clean fragile surfaces such as windows or car bodies.

Foam nozzle

► Fig.5

Detergent can be sprayed as foam.

Trigger operations

Pull the trigger to eject a water jet. The jet continues as long as the trigger is squeezed. The trigger can be locked for safe handling of the trigger gun. To lock the trigger, pull out the stopper and hook it to the groove on the grip.

► Fig.6: 1. Stopper 2. Groove

NOTICE: To avoid mechanical error in the pressure switch, always leave a two-second interval between trigger operations.

Safety valve

This appliance is equipped with a safety valve that prevents undue overpressure. When the trigger is released, the valve opens and the water recirculates through the pump inlet.

CAUTION: Do not tamper with or adjust the safety valve setting.

Hose reel

For the HW1300 only

To unreel the hose, take the end of the hose out of the catch first. Unfold the handle and turn it clockwise. Always unreel the hose all the way to the end when operating the high pressure washer.

► Fig.7: 1. Hose reel 2. Handle 3. End of the hose

When storing the hose, turn the handle counterclockwise and fix the end of the hose.

► Fig.8: 1. Catch 2. Handle

Supplying water from a tank/reservoir

Optional accessory

You can supply water from a tank or reservoir instead of a faucet.

Replace the water hose connector with the suction hose set (optional accessory). When connecting the suction hose set, disconnect the filter case from the hose and attach it to the inlet on the high pressure washer. Then, connect the hose to the filter case.

► Fig.9: 1. Tank/reservoir 2. Suction hose set 3. Water hose connector 4. Hose 5. Filter case 6. Inlet on the high pressure washer

NOTICE: Always use Makita's suction hose set.

NOTICE: Always keep 1.0 m (3.28 ft) or less in height between the inlet on the high pressure washer and the water surface. Otherwise, the high pressure washer will be unable to take the water up into the pump.

To introduce water into the hose, remove the nozzle from the trigger gun and switch on the high pressure washer while the trigger is squeezed. Once water is ejected stably from the trigger gun, release the trigger and attach the nozzle for your purpose.

► Fig.10: 1. Trigger gun

NOTE: When water is not ejected, detach the suction hose set and soak it in water. Then reconnect it to the high-pressure washer.

► Fig.11: 1. Suction hose set

ASSEMBLY

⚠ CAUTION: Always be sure that the tool is switched off and unplugged before carrying out any work on the tool.

Assembling the carrying handle

For the HW1200 only

1. Join the front and rear halves of the handle by aligning the screw holes on the high pressure washer body.
▶ **Fig.12:** 1. Front half of the handle 2. Rear half of the handle 3. High pressure washer body
2. Secure the carrying handle with screws(7 pcs).
▶ **Fig.13**

Connecting the high-pressure hose

For the HW1200 only

Connect the high-pressure hose to the outlet (with the gun marking). Turn the nut on the high-pressure hose clockwise while screwing it onto the screw thread of the outlet.

- ▶ **Fig.14:** 1. Outlet 2. Nut

⚠ CAUTION: Make sure that the high-pressure hose is securely connected. A loose connection may blow the high-pressure hose off, resulting in a personal injury.

Attaching the trigger gun

Connect the high-pressure hose to the inlet on the trigger gun. Turn the nut on the high-pressure hose clockwise while screwing it onto the screw thread on the inlet.

- ▶ **Fig.15:** 1. Inlet 2. Nut

⚠ CAUTION: Make sure that the high-pressure hose is securely connected. A loose connection may blow the high-pressure hose off, resulting in a personal injury.

Connecting to a faucet

⚠ CAUTION: Always use a pressure-resistant water hose with $\varnothing 13$ mm or larger diameter and connect to the faucet using a proper fittings. Otherwise, the water hose and/or the fitting may break and cause personal injury.

NOTICE: Use a pressure-resistant water hose as short as possible. The amount of intake water should be higher than the max feed volume of the pump.

NOTICE: If you connect to the mains for drinking water, use a backflow preventer valve which meets the regulations in your region.

Prepare a pressure-resistant water hose. Attach the coupling sleeve to one end and connect the other end to the faucet as follows.

1. Remove the nut on the coupling sleeve and pass the pressure-resistant water hose through the nut. Insert the end of the hose into the coupling sleeve and then tighten the nut.

- ▶ **Fig.16:** 1. Pressure-resistant water hose 2. Nut of the coupling sleeve 3. Coupling sleeve

NOTE: If you connect the pressure-resistant water hose to the faucet using a coupling sleeve, attach it to the both ends of the hose.

2. Connect the pressure-resistant water hose to the faucet. Apply a suitable fitting such as hose band or water tap joint to secure the hose end with the faucet.

- ▶ **Fig.17:** 1. Hose band 2. Water tap joint 3. Pressure-resistant water hose

NOTE: The fitting depends on the shape of the faucet to which you connect. Prepare a suitable commercially-bought fitting.

3. Attach the water hose connector to the inlet (with the faucet marking) and then insert the coupling sleeve.

- ▶ **Fig.18:** 1. Coupling sleeve 2. Water hose connector 3. Inlet

Connecting/disconnecting the nozzle

⚠ CAUTION: Always lock the trigger when connecting/disconnecting the nozzle.

Insert the end of the nozzle into the slot on the trigger gun and turn it in the direction of the arrow as shown in the figure. To disconnect, turn the nozzle in the reverse direction while pressing it toward the trigger gun.

- ▶ **Fig.19:** 1. Trigger gun 2. Slot 3. End of the nozzle

Some optional nozzles require the connecting joint (optional accessory) to attach to the trigger gun. Attach the connecting joint to the trigger gun in the same way as the nozzle.

- ▶ **Fig.20:** 1. Nozzle 2. Connecting joint 3. Trigger gun

NOTE: The connecting joint is needed when using the nozzles included with another model, HW112 or HW121.

Connecting the foam nozzle

⚠ CAUTION: Always lock the trigger when connecting/disconnecting the nozzle.

Prepare a detergent before using the foam nozzle.

1. Remove the nozzle from the tank by rotating the nozzle counterclockwise. Attach the nozzle to the trigger gun.

- ▶ **Fig.21:** 1. Nozzle 2. Trigger gun

2. Pour the detergent into the tank and install it to the nozzle.

- ▶ **Fig.22:** 1. Tank

NOTICE: Always use neutral detergent. Acidic or alkaline detergent may damage the tank or nozzle.

OPERATION

⚠ WARNING: Do not touch the water jet or direct the it toward yourself or others. The water jet is dangerous and can hurt you or others.

⚠ WARNING: When shooting the water jet, never hold the object that you are cleaning or place your hands and feet near the water jet.

⚠ CAUTION: Stay alert to the rebound of the water jet and blown objects. Do not bring the nozzle closer than 30 cm .

⚠ CAUTION: Do not run the high pressure washer without water for longer than 1 minute.

⚠ CAUTION: Do not operate the high pressure washer for a extended period of time. This may cause overheating or fire. Also, long-term use may cause vibration disorder.

⚠ CAUTION: Be aware of the direction of the wind. If the detergent gets into your eyes or mouth, rinse with fresh water immediately and seek medical attention if necessary.

NOTICE: Avoid using the high pressure washer for longer than 1 hour. After using 1 hour, leave a same length of intermission.

1. Connect the end of the high-pressure hose to the trigger gun. For the HW1200, connect the other end to the high pressure washer. For the HW1300, unreel the hose all the way to the end.
2. Connect the high pressure washer to the faucet and then open the faucet.
▶ Fig.23

NOTICE: To protect the mechanism of the high pressure washer, do not use water hotter than 40°C.

3. Plug the high pressure washer into the mains and switch it on.
▶ Fig.24: 1. Power switch
4. To eject a water jet, unlock the stopper and squeeze the trigger. The jet continues as long as the trigger is squeezed.
▶ Fig.25: 1. Stopper

⚠ CAUTION: Hold the trigger gun firmly. The trigger gun recoils when you pull the trigger.

⚠ CAUTION: Always hold the trigger gun by the grip and barrel when cleaning. While the motor is running, do not touch any part of the high pressure washer body other than the carrying handle and power switch.

NOTICE: Be careful not to pull the trigger gun forcibly during operation. It may cause the high pressure washer to fall over.

After operating

⚠ CAUTION: After operating, always perform the procedure described in this manual. Residual pressure in the trigger gun or high pressure washer can cause personal injury or damage to the pump inside.

1. After operating, leave the power switch on.
2. Close the faucet and disconnect the water hose from the high pressure washer.
▶ Fig.26
3. Squeeze the trigger until the remaining water in the high pressure washer is discharged.
Do not run the motor for longer than 1 minute.
▶ Fig.27
4. Switch off the high pressure washer and unplug it from the mains.
▶ Fig.28: 1. Power switch
5. Disconnect the high-pressure hose from the trigger gun.
▶ Fig.29: 1. Trigger gun 2. High-pressure hose

For the HW1200, also disconnect the high pressure hose from the high pressure washer.

▶ Fig.30: 1. High pressure hose

For the HW1300, reel the hose and fix the end of the hose.

▶ Fig.31: 1. Catch 2. Handle

NOTICE: To prevent the high-pressure hose from being damaged, remove the remaining water in the hose before storing.

MAINTENANCE & STORAGE

⚠ CAUTION: Always be sure that the tool is switched off and unplugged before attempting to perform inspection or maintenance.

NOTICE: Never use gasoline, benzine, thinner, alcohol or the like. Discoloration, deformation or cracks may result.

Cleaning the nozzle

Use the cleaner pin to remove dirt from or unclog the nozzle.

▶ Fig.32: 1. Cleaner pin

NOTICE: Do not remove dirt or debris forcibly. This may result in personal injury or damage to the ejection hole causing deviated jet angles or poor performance.

Cleaning the filter

Detach the water hose connector and remove dirt and debris from the inside of the filter.

► **Fig.33:** 1. Water hose connector 2. Filter 3. Sealing ring

When using the suction hose set (optional accessory), take the filter out of the filter case and remove dirt and debris.

► **Fig.34:** 1. Filter 2. Filter case

NOTE: To maintain the optimal performance, clean the filter periodically.

Storage

Reel the hose and cord. Put the trigger gun and nozzles in the pockets.

HW1200

► **Fig.35**

HW1300

► **Fig.36**

CAUTION: Always store in an indoor location where the temperature does not go below freezing. If the high pressure washer freezes and malfunctions, contact your local service center for repairs.

CAUTION: Always use the carrying handle when moving the high pressure washer. Do not carry it by the hose or cord. The hose or cord may be damaged.

CAUTION: Do not carry the high pressure washer with the hose and/or cord unreeled. The extended hose or cord may be damaged or entangled with other objects, resulting in personal injury or breakage.

To maintain product SAFETY and RELIABILITY, repairs, any other maintenance or adjustment should be performed by Makita Authorized or Factory Service Centers, always using Makita replacement parts.

TROUBLESHOOTING

Before asking for repairs, conduct your own inspection first. If you find a problem that is not explained in the manual, do not attempt to dismantle the tool. Instead, ask Makita Authorized Service Centers, always using Makita replacement parts for repairs.

State of abnormality	Probable cause (malfunction)	Remedy
The washer does not start.	No electricity	Connect the plug to the mains. Also check if electricity is being supplied to the mains.
	The switch is not turned on.	Turn on the switch.
	Residual pressure in the pump	Pull the trigger.
	Damaged cord or electric circuit	Contact an authorized service center for repairs.
No water jet / weak water jet	No water supply	Make sure that the faucet is open. If using the suction hose set, introduce water into the hose.
	Poor water supply	Turn on the faucet.
	Poor water hose connection	Check the connection between the water hose and the faucet and inlet on the high pressure washer.
	Clogged hose, filter, or nozzle	Unclog the hose, filter, or nozzle.
	Air is blocking the flow of water.	Turn off the switch and then turn it on again while squeezing the trigger.
	Damaged or worn nozzle	Replace the nozzle.
	Pump or valve malfunction	Contact an authorized service center for repairs.
Unstable water jet.	Clogged nozzle	Unclog on the ejection hole of the nozzle using the cleaner pin.
	Poor water suction	Check the water hose starting from the faucet for any leakage or clogs. Turn on the faucet.
	The water is too hot.	Supply cooler water.
	Valve malfunction	Contact an authorized service center for repairs.
Abnormal sound.	The water is too hot.	Supply cooler water.
	Air is stuck in the pump.	Contact an authorized service center for repairs.
Water/oil leakage.	Poor connection	Check the connection between the high pressure hose and the trigger gun and high pressure washer.
	Worn out sealings	Contact an authorized service center for repairs.
The pump does not run even though the motor sound is heard.	Unsuitable extension cord.	Use an extension cord suitable for the rating of the product.

OPTIONAL ACCESSORIES

CAUTION: These accessories or attachments are recommended for use with your Makita tool specified in this manual. The use of any other accessories or attachments might present a risk of injury to persons. Only use accessory or attachment for its stated purpose.

If you need any assistance for more details regarding these accessories, ask your local Makita Service Center.

NOTE: Some items in the list may be included in the tool package as standard accessories. They may differ from country to country.

Spray lance

► Fig.37

Jet width can be adjusted from 0° to 25° by rotating the front end of the nozzle.

CAUTION: When adjusting the jet width, do not rotate the nozzle while pulling it toward the trigger gun. The nozzle may come off from the trigger gun and cause a personal injury.

Washing brush (long)

► Fig.38

A nozzle equipped with a brush. Useful for washing out dirt while scrubbing with brush.

Suction hose set

► Fig.39

Replace the water hose with this set to supply water from a tank or reservoir.

Rotating wash brush

► Fig.40

Three brushes inside rotate slowly when ejecting the jet. Suitable for cleaning light dirt on a exterior wall, car body, bath tub, etc.

Lance extension

► Fig.41

Pipes to extend the length of the trigger gun. Three different lengths are available by changing the number of the pipes to be used.

Under body spray lance

► Fig.42

An extra long spray lance with angled nozzle. Best for cleaning hard-to-reach areas such as car under body and roof gutter.

CAUTION: Do not use the under body spray lance with the lance extension.

Splash guard

► Fig.43

Reduces splash back when cleaning corners with the dirt blaster.

Swivel joint

► Fig.44

Prevents the high-pressure hose from being twisted.

Connecting joint

► Fig.45

A joint to connect with a nozzle from other model.

NOTE: The connecting joint is needed when using the nozzles included with another model, HW112 or HW121.

Pipe-cleaning set (10 m/15 m)

► Fig.46

For cleaning and unclogging plumbing and downpipes.

CAUTION: Pay particular attention to the water jet when using the pipe cleaning set. Highly intense water jet is ejected backward.

Extension high-pressure hose (5 m/8 m/10 m)

► Fig.47

Extension hose to connect the high pressure washer body with the trigger gun.

AVERTISSEMENT

- Les machines ne doivent pas être utilisées par des enfants. Les enfants doivent être sous la surveillance d'un adulte afin de s'assurer qu'ils ne jouent pas avec la machine.
- Cette machine n'est pas destinée à être utilisée par des personnes (y compris les enfants) aux facultés physiques, sensorielles ou mentales diminuées ou sans expérience ni expertise.
- Cette machine a été conçue pour être utilisée avec le produit nettoyant fourni ou recommandé par le fabricant. L'utilisation d'autres produits nettoyants ou chimiques peut nuire à la sécurité de la machine.
- Les jets haute pression peuvent être dangereux s'ils sont utilisés à mauvais escient. Le jet ne doit pas être dirigé vers des personnes, un appareil électrique sous tension ou la machine elle-même.
- N'utilisez pas la machine à portée de personnes à moins qu'elles ne portent des vêtements protecteurs.
- Ne dirigez pas le jet vers vous-même ou d'autres personnes pour nettoyer les vêtements ou les chaussures.
- Risque d'explosion - Ne pulvérisez pas de liquides inflammables.
- Un nettoyeur haute pression ne doit pas être utilisé par des enfants ou un personnel non formé.
- Les tuyaux haute pression, les raccords et les manchons sont importants pour la sécurité de la machine. N'utilisez que les tuyaux, raccords et manchons recommandés par le fabricant.
- Pour garantir la sécurité de la machine, utilisez uniquement des pièces de rechange d'origine fournies par le fabricant ou approuvées par celui-ci.
- Avant d'effectuer toute intervention sur l'outil, assurez-vous toujours qu'il est hors tension et débranché.
- N'utilisez pas la machine si un cordon d'alimentation ou des pièces importantes de la machine sont endommagés, à savoir les dispositifs de sécurité, les tuyaux haute pression ou le pistolet à gâchette.

- Les rallonges inappropriées peuvent présenter un danger. Si une rallonge est utilisée, elle doit convenir à l'utilisation en extérieur, et le branchement doit être maintenu au sec et hors sol. Pour ce faire, il est recommandé d'utiliser un enrouleur de cordon maintenant la prise à au moins 60 mm au-dessus du sol.
- Éteignez toujours le sectionneur d'alimentation lorsque vous laissez la machine sans surveillance.
- Respectez les exigences de la compagnie des eaux locale.
- Pour les pays européens :
Selon EN12729 (BA), l'appareil peut également être raccordé à l'arrivée d'eau potable si un disconnecteur hydraulique avec dispositif de vidange est installé sur le tuyau d'alimentation.

SPÉCIFICATIONS

Modèle :		HW1200	HW1300
Débit max.		7,0 l/min	7,5 l/min
Débit volumétrique d'eau		5,5 l/min	6,0 l/min
Pression max. admise		12 MPa (120 bars)	13 MPa (130 bars)
Pression de fonctionnement	Mode haute pression	10 MPa (100 bars)	11 MPa (110 bars)
	Mode basse pression	-	8 MPa (80 bars)
Pression d'alimentation max.		1 MPa (10 bars)	
Température d'alimentation max.		40 °C	
Hauteur d'aspiration max.		1,0 m	
Dimensions (L x l x H)		292 mm x 358 mm x 830 mm	
Poids		11,0 kg	12,7 kg
Protection du moteur		IPX5	

- Étant donné l'évolution constante de notre programme de recherche et de développement, les spécifications contenues dans ce manuel sont sujettes à modification sans préavis.
- Les spécifications peuvent varier suivant les pays.
- Poids selon la procédure EPTA 01/2003

Symboles

Vous trouverez ci-dessous les symboles utilisés pour l'appareil. Veuillez à comprendre leur signification avant toute utilisation.



Lire le mode d'emploi.



Veuillez être prudent et rester attentif.



DOUBLE ISOLATION



Uniquement pour les pays de l'Union européenne

Ne pas jeter les appareils électriques avec les ordures ménagères ! Conformément à la directive européenne relative aux déchets d'équipements électriques et électroniques ainsi qu'à son application en conformité avec les lois nationales, les appareils électriques qui ont atteint la fin de leur durée de service doivent être collectés séparément et renvoyés à un établissement de recyclage respectueux de l'environnement.



Ne dirigez pas le jet vers vous-même ou d'autres personnes, des animaux et des appareils électriques sous tension.



Ne convient pas pour le raccordement à l'arrivée d'eau potable.

Utilisations

Cet outil est conçu pour le nettoyage des saletés tenaces grâce à un jet d'eau. Cet outil est conçu pour un usage domestique.

Alimentation

L'outil ne devra être raccordé qu'à une alimentation de la même tension que celle qui figure sur la plaque signalétique, et il ne pourra fonctionner que sur un courant secteur monophasé. Réalisé avec une double isolation, il peut de ce fait être alimenté par une prise sans mise à la terre.

Pour les systèmes de distribution publics à basse tension, entre 220 V et 250 V

La mise sous tension et hors tension des appareils électriques entraîne des fluctuations de tension. L'utilisation de cet appareil dans des conditions d'alimentation électrique inadéquates peut avoir des effets néfastes sur le fonctionnement des autres équipements. Il ne devrait toutefois pas y avoir d'effets négatifs si l'impédance de l'alimentation est égale ou inférieure à 0,25 ohm. La prise de courant utilisée pour cet appareil doit être protégée par un fusible ou un disjoncteur de protection à déclenchement lent.

Bruit

Niveau de bruit pondéré A typique, déterminé selon EN60335-2-79 :

Modèle HW1200

Niveau de pression sonore (L_{pA}) : 72 dB (A)
Incertitude (K) : 3,8 dB (A)

Modèle HW1300

Niveau de pression sonore (L_{pA}) : 76 dB (A)
Incertitude (K) : 2,4 dB (A)

Le niveau de bruit en fonctionnement peut dépasser 80 dB (A).

AVERTISSEMENT : Portez un serre-tête antibruit.

Vibrations

Valeur totale de vibrations (somme de vecteur triaxial) déterminée selon EN60335-2-79 :

Modèle HW1200

Émission de vibrations (a_n) : 4,11 m/s²
Incertitude (K) : 1,5 m/s²

Modèle HW1300

Émission de vibrations (a_n) : 4,86 m/s²
Incertitude (K) : 1,5 m/s²

NOTE : La valeur d'émission de vibrations déclarée a été mesurée conformément à la méthode de test standard et peut être utilisée pour comparer les outils entre eux.

NOTE : La valeur d'émission de vibrations déclarée peut aussi être utilisée pour l'évaluation préliminaire de l'exposition.

AVERTISSEMENT : L'émission de vibrations lors de l'usage réel de l'outil électrique peut être différente de la valeur d'émission déclarée, suivant la façon dont l'outil est utilisé.

AVERTISSEMENT : Les mesures de sécurité à prendre pour protéger l'utilisateur doivent être basées sur une estimation de l'exposition dans des conditions réelles d'utilisation (en tenant compte de toutes les composantes du cycle d'utilisation, comme par exemple le moment de sa mise hors tension, lorsqu'il tourne à vide et le moment de son déclenchement).

Déclaration de conformité CE

Pour les pays européens uniquement

La déclaration de conformité CE est fournie en Annexe A à ce mode d'emploi.

CONSIGNES DE SÉCURITÉ

AVERTISSEMENT : Lisez toutes les consignes de sécurité et toutes les instructions. Il y a un risque d'électrocution, d'incendie et/ou de graves blessures si les mises en garde et les instructions ne sont pas respectées.

Conservez toutes les mises en garde et instructions pour référence ultérieure.

Sécurité de la zone de travail

1. **Éloignez les personnes de la zone d'utilisation.**
2. **Ne vous penchez pas trop loin, ni ne vous tenez sur une base instable. Maintenez constamment une bonne assise et un bon équilibre.**
3. **Placez toujours le corps du nettoyeur haute pression sur une surface plane et stable. Évitez les endroits où l'eau projetée s'écoulera ou s'accumulera.**
4. **Avant le nettoyage, inspectez les environs et les objets à nettoyer. Les jets haute pression peuvent décoller la peinture ou les autres traitements de surface, y compris les produits chimiques toxiques. Prenez les mesures de prévention requises.**
5. **Prenez garde de ne pas trébucher sur le cordon ou le tuyau du nettoyeur haute pression. Soyez toujours attentif à la configuration du cordon et du tuyau pendant l'utilisation.**
6. **Pendant l'utilisation, une petite quantité d'eau s'échappera du bas du nettoyeur haute pression. Évitez de placer le nettoyeur haute pression dans un endroit que vous ne souhaitez pas mouiller.**

Sécurité personnelle

1. Pour se protéger du jet et des objets propulsés par le jet, l'utilisateur doit porter des vêtements appropriés comme des chaussures de sécurité, des gants de sécurité, un casque de chantier avec visière, des protège-tympons, etc.
2. N'utilisez pas le nettoyeur haute pression à portée des personnes à moins qu'elles ne portent des vêtements protecteurs.
3. Afin de réduire le risque de blessure, il est nécessaire de redoubler d'attention lors de l'utilisation du produit à proximité d'enfants.
4. L'eau ayant circulé à travers un disconnecteur hydraulique n'est pas considérée potable.

Sécurité électrique

1. N'utilisez jamais le nettoyeur haute pression dehors sous la pluie.
2. Ne touchez jamais la fiche et/ou la prise secteur avec les mains mouillées.
3. N'utilisez pas la machine si le cordon d'alimentation ou des pièces importantes de la machine sont endommagés, à savoir les dispositifs de sécurité, les tuyaux haute pression ou le pistolet à gâchette.
4. La fiche doit correspondre à la prise de courant. Ne modifiez en aucun cas la fiche. N'utilisez pas de fiche adaptatrice avec un outil relié à la terre. Une fiche non modifiée et une prise de courant adaptée réduisent le risque d'électrocution.
5. Les rallonges inappropriées peuvent présenter un danger. Si une rallonge est utilisée, elle doit convenir à l'utilisation en extérieur, et le branchement doit être maintenu au sec et hors sol. Pour ce faire, il est recommandé d'utiliser un enrouleur de cordon maintenant la prise à au moins 60 mm au-dessus du sol.
6. Veuillez noter les points suivants lorsque vous utilisez une rallonge :
 - Utilisez uniquement une rallonge conçue pour l'usage extérieur.
 - Utilisez uniquement une rallonge dont la capacité électrique est supérieure ou égale à celle du produit.
 - N'utilisez pas de rallonges endommagées.
 - Examinez la rallonge avant utilisation et remplacez-la si elle est endommagée.
 - Ne maltraitez pas la rallonge et ne tirez pas d'un coup sec sur le cordon pour le débrancher.
 - Tenez le cordon à l'écart de sources de chaleur et de bords tranchants.
 - Débranchez toujours la rallonge de la prise avant de déconnecter le produit de la rallonge.
7. Le raccordement à l'alimentation électrique doit être effectué par un électricien agréé et être conforme à IEC 60364-1. Il est recommandé que l'alimentation électrique de cette machine comprenne un dispositif différentiel à courant résiduel qui coupera l'alimentation si le courant de fuite vers la terre dépasse 30 mA pendant 30 ms ou un dispositif qui prouvera le circuit de mise à la terre.

Utilisation et entretien des outils électriques

1. Lisez toutes les instructions avant d'utiliser le produit.
2. Vous devez savoir comment rapidement arrêter le nettoyeur haute pression et abaisser la pression. Vous devez bien vous familiariser avec les commandes.
3. Les jets haute pression peuvent être dangereux s'ils sont utilisés à mauvais escient. Le jet ne doit pas être dirigé vers les personnes, un appareil électrique sous tension ou la machine elle-même.
4. Cette machine n'est pas destinée à être utilisée par des personnes (y compris les enfants) aux facultés physiques, sensorielles ou mentales diminuées ou sans expérience ni expertise.
5. Les enfants doivent être sous la surveillance d'un adulte afin de s'assurer qu'ils ne jouent pas avec l'appareil.
6. Ne pulvérisez pas de liquides inflammables et/ou toxiques. Cela pourrait provoquer une explosion, une intoxication ou des dégâts à la machine.
7. Ne dirigez pas le jet vers vous-même ou d'autres personnes pour nettoyer les vêtements ou les chaussures.
8. Les tuyaux haute pression, les raccords et les manchons sont importants pour la sécurité de la machine. N'utilisez que les tuyaux, raccords et manchons recommandés par le fabricant.
9. Suivez les instructions lors du remplacement des accessoires.
10. Gardez les poignées sèches, propres et sans trace d'huile ou de graisse.
11. Restez vigilant - surveillez vos gestes.
12. N'utilisez pas le produit si vous êtes fatigué ou sous l'emprise de drogues, de médicaments ou d'alcool.
13. Ne faites pas fonctionner le nettoyeur haute pression sans eau pendant plus d'une minute. Cela endommagera le moteur, provoquant un dysfonctionnement.
14. Éteignez toujours le nettoyeur haute pression et coupez l'arrivée d'eau lorsque vous le laissez sans surveillance.
15. Faites attention au recul. Le pistolet à gâchette a un mouvement de recul lorsque le jet haute pression sort de la buse. Tenez fermement le pistolet à gâchette pour prévenir les blessures accidentelles.
16. Vérifiez que les pièces ne sont pas abîmées ou usées avant utilisation. Assurez-vous également que le tuyau est correctement branché et qu'il n'y a pas de fuite pendant le fonctionnement. Utiliser la machine alors qu'elle présente des défauts de fonctionnement peut provoquer un accident.
17. Cette machine a été conçue pour être utilisée avec le produit nettoyant fourni ou recommandé par le fabricant. L'utilisation d'autres produits nettoyants ou chimiques peut nuire à la sécurité de la machine.

18. Ne tirez pas sur le cordon et/ou le tuyau pour déplacer le corps du nettoyeur haute pression. Cela endommagera le cordon, le tuyau et les éléments d'assemblage et provoquera un court-circuit ou des défauts de fonctionnement.
19. Ne placez pas d'objets lourds sur le tuyau, ni ne laissez de véhicules rouler dessus.
20. Videz toujours la pression résiduelle dans le pistolet à gâchette avant de débrancher le tuyau.
21. Lorsque vous branchez le tuyau à l'arrivée d'eau, respectez les instructions du service ou de la compagnie des eaux de votre localité.

Dépannage

1. Suivez les instructions d'entretien spécifiées dans le mode d'emploi.
2. Pour garantir la sécurité de la machine, utilisez uniquement des pièces de rechange d'origine fournies par le fabricant ou approuvées par celui-ci.
3. Confiez la réparation de votre nettoyeur haute pression à un réparateur qualifié qui utilise uniquement des pièces de rechange identiques. Cela assurera le maintien de la sécurité du nettoyeur haute pression.
4. En cas de panne ou de dysfonctionnement du nettoyeur haute pression, éteignez-le immédiatement et débranchez la fiche de la prise de courant. Contactez le revendeur ou le centre de service après-vente local.

CONSERVEZ CES INSTRUCTIONS.

⚠️ AVERTISSEMENT : NE vous laissez PAS tromper (au fil d'une utilisation répétée) par un sentiment d'aisance et de familiarité avec le produit, en négligeant le respect rigoureux des consignes de sécurité qui accompagnent le produit en question.

La MAUVAISE UTILISATION de l'outil ou l'ignorance des consignes de sécurité indiquées dans ce mode d'emploi peut entraîner de graves blessures.

DESCRIPTION DU FONCTIONNEMENT

⚠️ ATTENTION : Assurez-vous toujours que l'outil est hors tension et débranché avant de l'ajuster ou de vérifier son fonctionnement.

Interrupteur d'alimentation

REMARQUE : Ne forcez pas en tournant l'interrupteur d'alimentation. Cela risque de provoquer le dysfonctionnement de l'interrupteur.

Pour le HW1200

► Fig.1: 1. Position d'arrêt 2. Position de marche

Tournez l'interrupteur d'alimentation dans le sens des aiguilles d'une montre pour mettre le nettoyeur haute pression sous tension.

Pour le HW1300

Tournez l'interrupteur d'alimentation dans le sens des aiguilles d'une montre ou dans le sens inverse selon le niveau de la pression. Tournez l'interrupteur d'alimentation dans le sens des aiguilles d'une montre pour le mode haute pression et dans le sens inverse des aiguilles d'une montre pour le mode basse pression.

► Fig.2: 1. Mode basse pression 2. Position d'arrêt 3. Mode haute pression

Fonctions de la buse

Lance de pulvérisation à puissance variable

► Fig.3

La pression du jet peut être réglée en tournant la buse.

⚠️ ATTENTION : Lorsque vous réglez la pression du jet, ne tournez pas la buse tout en la tirant vers le pistolet à gâchette. La buse risquerait de se détacher du pistolet à gâchette et de vous blesser.

Buse rotative

► Fig.4

Un jet en spirale est propulsé. Permet de retirer la saleté tenace.

REMARQUE : N'utilisez pas la buse rotative pour nettoyer des surfaces fragiles comme des fenêtres ou la carrosserie d'une voiture.

Canon à mousse

► Fig.5

Le détergent peut être pulvérisé sous la forme de mousse.

Fonctionnement de la gâchette

Enclenchez la gâchette pour propulser un jet d'eau. Le jet continue tant que la gâchette est enfoncée.

La gâchette peut être verrouillée pour permettre une manipulation sûre du pistolet à gâchette. Pour verrouiller la gâchette, tirez sur la butée et accrochez-la dans la rainure sur la poignée.

► Fig.6: 1. Butée 2. Rainure

REMARQUE : Pour éviter une erreur mécanique du pressostat, laissez toujours un intervalle de deux secondes entre les fonctionnements de la gâchette.

Soupape de sûreté

Cet appareil est équipé d'une soupape de sûreté qui empêche une pression excessive. Lorsque la gâchette est relâchée, la soupape s'ouvre et l'eau recircule par l'entrée de la pompe.

ATTENTION : Ne modifiez ni n'ajustez le réglage de la soupape de sûreté.

Enrouleur

Pour le HW1300 uniquement

Pour dérouler le tuyau, sortez d'abord l'extrémité du tuyau du cran. Déployez la poignée et tournez-la dans le sens des aiguilles d'une montre. Déroulez toujours complètement le tuyau lorsque vous utilisez le nettoyeur haute pression.

► **Fig.7:** 1. Enrouleur 2. Poignée 3. Extrémité du tuyau

Lorsque vous rangez le tuyau, tournez la poignée dans le sens inverse des aiguilles d'une montre et attachez l'extrémité du tuyau.

► **Fig.8:** 1. Cran 2. Poignée

Alimentation en eau depuis un réservoir/bac

Accessoire en option

Vous pouvez alimenter en eau depuis un réservoir ou un bac au lieu d'un robinet.

Remplacez le raccord du tuyau d'eau par l'ensemble du tuyau d'aspiration (accessoire en option). Lorsque vous raccordez l'ensemble du tuyau d'aspiration, retirez le boîtier de filtre du tuyau et fixez-le à l'entrée sur le nettoyeur haute pression. Puis connectez le tuyau au boîtier de filtre.

► **Fig.9:** 1. Réservoir/bac 2. Ensemble du tuyau d'aspiration 3. Raccord du tuyau d'eau 4. Tuyau 5. Boîtier de filtre 6. Entrée sur le nettoyeur haute pression

REMARQUE : Utilisez toujours l'ensemble du tuyau d'aspiration Makita.

REMARQUE : Maintenez toujours une hauteur de 1,0 m (3,28 ft) ou moins entre l'entrée sur le nettoyeur haute pression et la surface de l'eau. Autrement, le nettoyeur haute pression ne sera pas capable d'aspirer l'eau dans la pompe.

Pour introduire l'eau dans le tuyau, retirez la buse du pistolet à gâchette et mettez sous tension le nettoyeur haute pression alors que la gâchette est enfoncée. Une fois que l'eau est propulsée de manière stable du pistolet à gâchette, relâchez la gâchette et fixez la buse adaptée à votre utilisation.

► **Fig.10:** 1. Pistolet à gâchette

NOTE : Si l'eau n'est pas propulsée, retirez l'ensemble du tuyau d'aspiration et trempez-le dans l'eau. Puis reconnectez-le au nettoyeur haute pression.

► **Fig.11:** 1. Ensemble du tuyau d'aspiration

ASSEMBLAGE

ATTENTION : Avant d'effectuer toute intervention sur l'outil, assurez-vous toujours qu'il est hors tension et débranché.

Assemblage de la poignée de transport

Pour le HW1200 uniquement

1. Assemblez les moitiés avant et arrière de la poignée en alignant les trous de vis sur le corps du nettoyeur haute pression.

► **Fig.12:** 1. Moitié avant de la poignée 2. Moitié arrière de la poignée 3. Corps du nettoyeur haute pression

2. Fixez la poignée de transport avec les vis (x7).

► **Fig.13**

Branchement du tuyau haute pression

Pour le HW1200 uniquement

Branchez le tuyau haute pression sur la sortie (avec le symbole du pistolet). Tournez l'écrou sur le tuyau haute pression dans le sens des aiguilles d'une montre tout en le vissant sur le filetage de vis de la sortie.

► **Fig.14:** 1. Sortie 2. Écrou

ATTENTION : Assurez-vous que le tuyau haute pression est solidement branché. Un branchement lâche peut projeter le tuyau haute pression et provoquer des blessures corporelles.

Fixation du pistolet à gâchette

Branchez le tuyau haute pression sur l'entrée sur le pistolet à gâchette. Tournez l'écrou sur le tuyau haute pression dans le sens des aiguilles d'une montre tout en le vissant sur le filetage de vis de l'entrée.

► **Fig.15:** 1. Entrée 2. Écrou

ATTENTION : Assurez-vous que le tuyau haute pression est solidement branché. Un branchement lâche peut projeter le tuyau haute pression et provoquer des blessures corporelles.

Raccordement à un robinet

⚠ ATTENTION : Utilisez toujours un tuyau d'eau résistant à la pression d'un diamètre de $\varnothing 13$ mm ou plus et raccordez-le au robinet avec les bons raccords. Autrement, le tuyau d'eau et/ou le raccord peuvent se rompre et provoquer des blessures corporelles.

REMARQUE : Utilisez un tuyau d'eau résistant à la pression aussi court que possible. La quantité d'eau aspirée doit être supérieure au débit maximum de la pompe.

REMARQUE : Si vous raccordez le tuyau à l'arrivée d'eau potable, utilisez un disconnecteur hydraulique répondant aux réglementations de votre région.

Préparez un tuyau d'eau résistant à la pression. Fixez le manchon de raccordement à une extrémité et raccordez l'autre extrémité au robinet comme suit.

1. Retirez l'écrou sur le manchon de raccordement et faites passer le tuyau d'eau résistant à la pression par l'écrou. Insérez l'extrémité du tuyau dans le manchon de raccordement, puis serrez l'écrou.

- **Fig.16:** 1. Tuyau d'eau résistant à la pression
2. Écrou du manchon de raccordement
3. Manchon de raccordement

NOTE : Si vous branchez le tuyau d'eau résistant à la pression au robinet au moyen d'un manchon de raccordement, fixez-le aux deux extrémités du tuyau.

2. Branchez le tuyau d'eau résistant à la pression au robinet. Appliquez un raccord adapté comme un collier de tuyau ou un joint de robinet d'eau pour fixer l'extrémité du tuyau au robinet.

- **Fig.17:** 1. Collier de tuyau 2. Joint de robinet d'eau
3. Tuyau d'eau résistant à la pression

NOTE : Le raccord dépend de la forme du robinet de raccordement. Préparez un raccord adapté en vente dans le commerce.

3. Fixez le raccord du tuyau d'eau à l'entrée (avec le symbole du robinet), puis insérez le manchon de raccordement.

- **Fig.18:** 1. Manchon de raccordement 2. Raccord du tuyau d'eau 3. Entrée

Connexion/déconnexion de la buse

⚠ ATTENTION : Verrouillez toujours la gâchette lorsque vous connectez ou déconnectez la buse.

Insérez l'extrémité de la buse dans la fente sur le pistolet à gâchette et tournez-la dans le sens de la flèche comme illustré sur la figure. Pour la déconnecter, tournez la buse dans le sens inverse tout en l'appuyant vers le pistolet à gâchette.

- **Fig.19:** 1. Pistolet à gâchette 2. Fente 3. Extrémité de la buse

Certaines buses en option nécessitent un joint de raccordement (accessoire en option) pour être fixées au pistolet à gâchette. Fixez le joint de raccordement au pistolet à gâchette dans la même manière que la buse.

- **Fig.20:** 1. Buse 2. Joint de raccordement 3. Pistolet à gâchette

NOTE : Le joint de raccordement est nécessaire lorsque vous utilisez les buses fournies avec un autre modèle, HW112 ou HW121.

Branchement du canon à mousse

⚠ ATTENTION : Verrouillez toujours la gâchette lorsque vous connectez ou déconnectez la buse.

Préparez un détergent avant d'utiliser le canon à mousse.

1. Retirez la buse du réservoir en la tournant dans le sens inverse des aiguilles d'une montre. Fixez la buse au pistolet à gâchette.

- **Fig.21:** 1. Buse 2. Pistolet à gâchette

2. Versez le détergent dans le réservoir et installez-le sur la buse.

- **Fig.22:** 1. Réservoir

REMARQUE : Utilisez toujours un détergent neutre. Un détergent acide ou alcalin peut endommager le réservoir ou la buse.

UTILISATION

⚠ AVERTISSEMENT : Ne touchez pas le jet d'eau ni ne le dirigez vers vous-même ou d'autres personnes. Le jet d'eau est dangereux et peut vous blesser ainsi que d'autres personnes.

⚠ AVERTISSEMENT : Lorsque vous lancez le jet d'eau, ne tenez jamais l'objet que vous nettoyez ni ne placez vos mains et pieds près du jet d'eau.

⚠ ATTENTION : Restez vigilant au rebond du jet d'eau et aux objets projetés. N'amenez pas la buse plus près que 30 cm.

⚠ ATTENTION : Ne faites pas fonctionner le nettoyeur haute pression sans eau pendant plus d'une minute.

⚠ ATTENTION : Ne faites pas fonctionner le nettoyeur haute pression pendant une période prolongée. Cela présente un risque de surchauffe ou d'incendie. De plus, une utilisation prolongée peut provoquer des vibrations.

⚠ ATTENTION : Soyez attentif au sens du vent. Si le détergent pénètre dans vos yeux ou votre bouche, rincez-les immédiatement à l'eau claire et consultez un médecin si nécessaire.

REMARQUE : Évitez d'utiliser le nettoyeur haute pression pendant plus d'une heure. Au bout d'une heure d'utilisation, laissez-le reposer pendant la même durée.

1. Raccordez l'extrémité du tuyau haute pression au pistolet à gâchette. Pour le HW1200, raccordez l'autre extrémité au nettoyeur haute pression. Pour le HW1300, déroulez complètement le tuyau.

2. Raccordez le nettoyeur haute pression au robinet, puis ouvrez le robinet.

► Fig.23

REMARQUE : Pour protéger le mécanisme du nettoyeur haute pression, n'utilisez pas de l'eau plus chaude que 40 °C.

3. Branchez le nettoyeur haute pression dans une prise secteur et mettez-le sous tension.

► Fig.24: 1. Interrupteur d'alimentation

4. Pour projeter un jet d'eau, libérez la butée et appuyez sur la gâchette. Le jet continue tant que la gâchette est enfoncée.

► Fig.25: 1. Butée

⚠ATTENTION : Tenez fermement le pistolet à gâchette. Le pistolet à gâchette a un mouvement de recul lorsque vous enfoncez la gâchette.

⚠ATTENTION : Tenez toujours le pistolet à gâchette par la poignée et le barillet lorsque vous nettoyez. Pendant que le moteur tourne, ne touchez pas d'autres pièces du corps du nettoyeur haute pression que la poignée de transport et l'interrupteur d'alimentation.

REMARQUE : Prenez soin de ne pas tirer avec force sur le pistolet à gâchette pendant le fonctionnement. Le nettoyeur haute pression pourrait basculer.

Après le fonctionnement

⚠ATTENTION : Après le fonctionnement, procédez toujours comme décrit dans ce mode d'emploi. La pression résiduelle dans le pistolet à gâchette ou le nettoyeur haute pression peut provoquer des blessures corporelles ou endommager l'intérieur de la pompe.

1. Après le fonctionnement, laissez l'interrupteur d'alimentation sur la position de marche.

2. Fermez le robinet et débranchez le tuyau d'eau du nettoyeur haute pression.

► Fig.26

3. Appuyez sur la gâchette jusqu'à ce que l'eau restant dans le nettoyeur haute pression soit évacuée.

Ne faites pas tourner le moteur pendant plus d'une minute.

► Fig.27

4. Mettez le nettoyeur haute pression hors tension et débranchez-le de la prise secteur.

► Fig.28: 1. Interrupteur d'alimentation

5. Retirez le tuyau haute pression du pistolet à gâchette.

► Fig.29: 1. Pistolet à gâchette 2. Tuyau haute pression

Pour le HW1200, débranchez également le tuyau haute pression du nettoyeur haute pression.

► Fig.30: 1. Tuyau haute pression

Pour le HW1300, enroulez le tuyau et attachez l'extrémité du tuyau.

► Fig.31: 1. Cran 2. Poignée

REMARQUE : Pour éviter d'abîmer le tuyau haute pression, retirez l'eau restant dans le tuyau avant de le ranger.

ENTRETIEN ET RANGEMENT

⚠ATTENTION : Assurez-vous toujours que l'outil est hors tension et débranché avant d'y effectuer tout travail d'inspection ou d'entretien.

REMARQUE : N'utilisez jamais d'essence, benzine, diluant, alcool ou autre produit similaire. Cela risquerait de provoquer la décoloration, la déformation ou la fissuration de l'outil.

Nettoyage de la buse

Utilisez l'épingle de nettoyage pour retirer la saleté de la buse ou la déboucher.

► Fig.32: 1. Épingle de nettoyage

REMARQUE : Ne retirez pas la saleté ou les débris avec force. Vous risqueriez de vous blesser ou d'endommager l'orifice d'éjection provoquant la déviation de l'angle du jet ou une médiocre performance.

Nettoyage du filtre

Retirez le raccord du tuyau d'eau et enlevez la saleté et les débris à l'intérieur du filtre.

► Fig.33: 1. Raccord du tuyau d'eau 2. Filtre 3. Bague d'étanchéité

Lorsque vous utilisez l'ensemble du tuyau d'aspiration (accessoire en option), sortez le filtre du boîtier de filtre et enlevez la saleté et les débris.

► Fig.34: 1. Filtre 2. Boîtier de filtre

NOTE : Pour maintenir une performance optimale, nettoyez régulièrement le filtre.

Rangement

Enroulez le tuyau et le cordon. Placez le pistolet à gâchette et les buses dans les poches.

HW1200

► Fig.35

HW1300

► Fig.36

⚠ ATTENTION : Rangez-le toujours à l'intérieur dans un endroit qui ne gèle pas. Si le nettoyeur haute pression gèle et fonctionne mal, confiez sa réparation à votre centre de service après-vente local.

⚠ ATTENTION : Utilisez toujours la poignée de transport lorsque vous déplacez le nettoyeur haute pression. Ne le transportez pas en tenant le tuyau ou le cordon. Le tuyau ou le cordon pourraient être endommagés.

⚠ ATTENTION : Ne transportez pas le nettoyeur haute pression avec le tuyau et/ou le cordon déroulés. Le tuyau ou le cordon déployés peuvent être endommagés ou s'enchevêtrer avec d'autres objets, provoquant des blessures ou cassures.

Pour assurer la SÉCURITÉ et la FIABILITÉ du produit, toute réparation, tout travail d'entretien ou de réglage doivent être effectués par un centre d'entretien Makita agréé, avec des pièces de rechange Makita.

GUIDE DE DÉPANNAGE

Avant de faire une demande de réparation, effectuez d'abord vous-même une inspection. Si vous rencontrez un problème non documenté dans le mode d'emploi, n'essayez pas de démonter l'outil. Demandez plutôt à un centre de service après-vente Makita agréé d'effectuer la réparation au moyen de pièces de rechange Makita.

État d'anomalie	Cause probable (dysfonctionnement)	Solution
Le nettoyeur ne démarre pas.	Pas d'électricité	Branchez la fiche dans la prise secteur. Vérifiez également si la prise secteur est alimentée en électricité.
	L'interrupteur n'est pas sur la position de marche.	Placez-le sur la position de marche.
	Pression résiduelle dans la pompe	Enclenchez la gâchette.
	Cordon ou circuit électrique endommagés	Contactez un centre de service après-vente agréé pour les réparations.
Pas de jet d'eau/jet d'eau faible	Pas d'alimentation en eau	Assurez-vous que le robinet est ouvert. Si vous utilisez l'ensemble du tuyau d'aspiration, introduisez l'eau dans le tuyau.
	Faible alimentation en eau	Ouvrez le robinet.
	Mauvais raccordement du tuyau d'eau	Vérifiez le raccordement entre le tuyau d'eau et le robinet et l'entrée sur le nettoyeur haute pression.
	Tuyau, filtre ou buse bouchés	Débouchez le tuyau, le filtre ou la buse.
	L'air bloque le flux d'eau.	Mettez la machine hors tension, puis sous tension tout en enfonçant la gâchette.
	Buse endommagée ou usée	Remplacez la buse.
	Dysfonctionnement de la pompe ou de la soupape	Contactez un centre de service après-vente agréé pour les réparations.
Jet d'eau instable.	Buse bouchée	Débouchez l'orifice d'éjection de la buse avec l'épingle de nettoyage.
	Faible aspiration de l'eau	Vérifiez que le tuyau d'eau ne fuit pas ou n'est pas bouché en commençant par le robinet. Ouvrez le robinet.
	L'eau est trop chaude.	Fournissez de l'eau plus froide.
	Dysfonctionnement de la soupape	Contactez un centre de service après-vente agréé pour les réparations.
Bruit inhabituel.	L'eau est trop chaude.	Fournissez de l'eau plus froide.
	De l'air s'accumule dans la pompe.	Contactez un centre de service après-vente agréé pour les réparations.
Fuite d'eau/huile.	Mauvais raccordement	Vérifiez le raccordement entre le tuyau haute pression et le pistolet à gâchette et le nettoyeur haute pression.
	Joint usés	Contactez un centre de service après-vente agréé pour les réparations.
La pompe ne fonctionne pas bien que le bruit du moteur soit entendu.	Rallonge inappropriée.	Utilisez une rallonge correspondant aux caractéristiques nominales du produit.

ACCESSOIRES EN OPTION

⚠ ATTENTION : Ces accessoires ou pièces complémentaires sont recommandés pour l'utilisation avec l'outil Makita spécifié dans ce mode d'emploi. L'utilisation de tout autre accessoire ou pièce complémentaire peut comporter un risque de blessure. N'utilisez les accessoires ou pièces complémentaires qu'aux fins auxquelles ils ont été conçus.

Pour obtenir plus de détails sur ces accessoires, contactez votre centre d'entretien local Makita.

NOTE : Il se peut que certains éléments de la liste soient compris dans l'emballage de l'outil en tant qu'accessoires standard. Ils peuvent varier d'un pays à l'autre.

Lance de pulvérisation

► Fig.37

La largeur du jet peut être réglée de 0 à 25° en tournant l'extrémité avant de la buse.

⚠ ATTENTION : Lorsque vous réglez la largeur du jet, ne tournez pas la buse tout en la tirant vers le pistolet à gâchette. La buse risquerait de se détacher du pistolet à gâchette et de vous blesser.

Brosse de lavage (longue)

► Fig.38

Une buse pourvue d'une brosse. Pratique pour nettoyer la saleté tout en frottant avec la brosse.

Ensemble du tuyau d'aspiration

► Fig.39

Remplacez le tuyau d'eau par cet ensemble pour fournir de l'eau depuis un réservoir ou un bac.

Brosse de lavage tournante

► Fig.40

Trois brosses à l'intérieur tournent lentement lors de l'éjection du jet. Convient pour nettoyer la saleté légère sur un mur extérieur, la carrosserie d'une voiture, une baignoire, etc.

Rallonge de lance

► Fig.41

Tubes pour étendre la longueur du pistolet à gâchette. Trois longueurs différentes sont disponibles en changeant le nombre de tubes à utiliser.

Lance de pulvérisation pour soubassement

► Fig.42

Une lance de pulvérisation ultralongue avec une buse en angle. Idéal pour nettoyer les zones difficiles d'accès comme le soubassement d'une voiture et les gouttières.

⚠ ATTENTION : N'utilisez pas la lance de pulvérisation pour soubassement avec la rallonge de lance.

Pare-éclaboussure

► Fig.43

Réduit les éclaboussures lors du nettoyage de coins avec la buse rotative.

Joint articulé

► Fig.44

Empêche le tuyau haute pression de s'entortiller.

Joint de raccordement

► Fig.45

Un joint pour raccorder une buse d'un autre modèle.

NOTE : Le joint de raccordement est nécessaire lorsque vous utilisez les buses fournies avec un autre modèle, HW112 ou HW121.

Ensemble de nettoyage de tuyaux (10 m/15 m)

► Fig.46

Pour nettoyer et déboucher les tuyauteries et les descentes.

⚠ ATTENTION : Portez une attention particulière au jet d'eau lorsque vous utilisez l'ensemble de nettoyage de tuyaux. Un jet d'eau très intense est propulsé en arrière.

Tuyau d'extension haute pression (5 m/8 m/10 m)

► Fig.47

Un tuyau d'extension pour raccorder le corps du nettoyeur haute pression au pistolet à gâchette.

WARNUNG

- Maschinen dürfen nicht von Kindern benutzt werden. Kinder sollten beaufsichtigt werden, um sicherzugehen, dass sie nicht mit der Maschine spielen.
- Diese Maschine sollte nicht von Personen (einschließlich Kindern) mit reduzierten körperlichen, sensorischen oder geistigen Fähigkeiten oder mangelnder Erfahrung und Kenntnis benutzt werden.
- Diese Maschine wurde für den Einsatz mit dem Reinigungsmittel ausgelegt, das vom Hersteller geliefert oder empfohlen wird. Die Verwendung anderer Reinigungsmittel oder Chemikalien kann sich negativ auf die Sicherheit der Maschine auswirken.
- Hochdruckstrahlen können bei Missbrauch gefährlich sein. Der Strahl darf nicht auf Personen, Strom führende Elektrogeräte oder die Maschine selbst gerichtet werden.
- Benutzen Sie die Maschine nicht im Bereich von Personen, wenn sie keine Schutzkleidung tragen.
- Richten Sie den Strahl nicht auf sich selbst oder andere, um Kleidungsstücke oder Schuhwerk zu reinigen.
- Explosionsgefahr - Versprühen Sie keine brennbaren Flüssigkeiten.
- Hochdruckreiniger dürfen nicht von Kindern oder ungeübtem Personal benutzt werden.
- Hochdruckschläuche, Armaturen und Kupplungen sind wichtig für die Sicherheit der Maschine. Verwenden Sie nur vom Hersteller empfohlene Schläuche, Armaturen und Kupplungen.
- Um die Sicherheit der Maschine zu gewährleisten, verwenden Sie nur vom Hersteller gelieferte oder zugelassene Original-Ersatzteile.
- Vergewissern Sie sich vor der Ausführung von Arbeiten am Werkzeug stets, dass es ausgeschaltet und vom Stromnetz getrennt ist.
- Benutzen Sie die Maschine nicht, wenn ein Versorgungskabel oder wichtige Teile der Maschine beschädigt sind, z. B. Sicherheitsvorrichtungen, Hochdruckschläuche, Schaltpistole.

- Unzulängliche Verlängerungskabel können gefährlich sein. Wenn ein Verlängerungskabel verwendet wird, muss es für Freiluftbenutzung geeignet sein, und die Verbindung muss trocken und vom Boden abgehoben gehalten werden. Es wird empfohlen, dies mittels einer Kabeltrommel zu bewerkstelligen, die die Steckdose mindestens 60 mm über dem Boden hält.
- Schalten Sie stets den Haupttrennschalter aus, wenn Sie die Maschine unbeaufsichtigt lassen.
- Halten Sie die Anforderungen des örtlichen Wasserversorgers ein.
- Für europäische Länder:
Gemäß EN12729 (BA) kann das Gerät auch an die Trinkwasserversorgung angeschlossen werden, wenn in dem Zulaufschlauch ein Ventil mit Rückflussverhinderer und Ablaufvorrichtung installiert ist.

TECHNISCHE DATEN

Modell:		HW1200	HW1300
Max. Fördermenge		7,0 l/min	7,5 l/min
Wasserförderleistung		5,5 l/min	6,0 l/min
Max. zulässiger Druck		12 MPa (120 bar)	13 MPa (130 bar)
Betriebsdruck	Modus „Hoch“	10 MPa (100 bar)	11 MPa (110 bar)
	Modus „Niedrig“	-	8 MPa (80 bar)
Max. Förderdruck		1 MPa (10 bar)	
Max. Fördertemperatur		40°C	
Max. Saughöhe		1,0 m	
Abmessungen (L x B x H)		292 mm x 358 mm x 830 mm	
Gewicht		11,0 kg	12,7 kg
Motorschutzklasse		IPX5	

- Wir behalten uns vor, Änderungen der technischen Daten im Zuge der Entwicklung und des technischen Fortschritts ohne vorherige Ankündigung vorzunehmen.
- Die technischen Daten können von Land zu Land unterschiedlich sein.
- Gewicht nach EPTA-Verfahren 01/2003

Symbole

Nachfolgend werden die für das Gerät verwendeten Symbole beschrieben. Machen Sie sich vor der Benutzung mit ihrer Bedeutung vertraut.



Betriebsanleitung lesen.



Besondere Umsicht und Aufmerksamkeit erforderlich.



DOPPELTE ISOLIERUNG



Nur für EU-Länder
Werfen Sie Elektrogeräte nicht in den Hausmüll! Unter Einhaltung der Europäischen Richtlinie über Elektro- und Elektronik-Altgeräte und ihrer Umsetzung gemäß den Landesgesetzen müssen Elektrogeräte, die das Ende ihrer Lebensdauer erreicht haben, getrennt gesammelt und einer umweltgerechten Recycling-Einrichtung zugeführt werden.



Richten Sie den Strahl nicht auf Personen, einschließlich sich selbst, Tiere und Strom führende Elektrogeräte.



Nicht geeignet für den Anschluss an die Trinkwasserleitung.

Vorgesehene Verwendung

Dieses Werkzeug ist zum Entfernen von hartnäckigem Schmutz durch Wasserstrahl vorgesehen. Dieses Werkzeug ist für Haushaltsgebrauch vorgesehen.

Stromversorgung

Das Werkzeug sollte nur an eine Stromquelle angeschlossen werden, deren Spannung mit der Angabe auf dem Typenschild übereinstimmt, und kann nur mit Einphasen-Wechselstrom betrieben werden. Diese sind doppelt schutzisoliert und können daher auch an Steckdosen ohne Erdleiter verwendet werden.

Für öffentliche Niederspannungs-Verteilungssysteme mit einer Spannung zwischen 220 V und 250 V

Schaltvorgänge von Elektrogeräten verursachen Spannungsschwankungen. Der Betrieb dieses Gerätes unter ungünstigen Netzstrombedingungen kann sich nachteilig auf den Betrieb anderer Geräte auswirken. Bei einer Netzstromimpedanz von 0,25 Ohm oder weniger ist anzunehmen, dass keine negativen Effekte auftreten. Die für dieses Gerät verwendete Netzsteckdose muss durch eine Sicherung oder einen Schutzschalter mit trägen Auslösungseigenschaften geschützt sein.

Geräusch

Typischer A-bewerteter Geräuschpegel ermittelt gemäß EN60335-2-79:

Modell HW1200

Schalldruckpegel (L_{pA}): 72 dB (A)

Messunsicherheit (K): 3,8 dB (A)

Modell HW1300

Schalldruckpegel (L_{pA}): 76 dB (A)

Messunsicherheit (K): 2,4 dB (A)

Der Geräuschpegel kann während des Betriebs 80 dB (A) überschreiten.

⚠️ WARNUNG: Einen Gehörschutz tragen.

Schwingungen

Schwingungsgesamtwert (Drei-Achsen-Vektorsumme) ermittelt gemäß EN60335-2-79:

Modell HW1200

Schwingungsemission (a_n): 4,11 m/s²

Messunsicherheit (K): 1,5 m/s²

Modell HW1300

Schwingungsemission (a_n): 4,86 m/s²

Messunsicherheit (K): 1,5 m/s²

HINWEIS: Der angegebene Schwingungsemissionswert wurde im Einklang mit der Standardprüfmethode gemessen und kann für den Vergleich zwischen Werkzeugen herangezogen werden.

HINWEIS: Der angegebene Schwingungsemissionswert kann auch für eine Vorbewertung des Gefährdungsgrads verwendet werden.

⚠️ WARNUNG: Die Schwingungsemission während der tatsächlichen Benutzung des Elektrowerkzeugs kann je nach der Benutzungsweise des Werkzeugs vom angegebenen Emissionswert abweichen.

⚠️ WARNUNG: Identifizieren Sie Sicherheitsmaßnahmen zum Schutz des Benutzers anhand einer Schätzung des Gefährdungsgrads unter den tatsächlichen Benutzungsbedingungen (unter Berücksichtigung aller Phasen des Arbeitszyklus, wie z. B. Ausschalt- und Leerlaufzeiten des Werkzeugs zusätzlich zur Betriebszeit).

EG-Konformitätserklärung

Nur für europäische Länder

Die EG-Konformitätserklärung ist als Anhang A in dieser Bedienungsanleitung enthalten.

SICHERHEITSWARNUNGEN

⚠️ WARNUNG: Lesen Sie alle Sicherheitswarnungen und Anweisungen durch. Eine Missachtung der unten aufgeführten Warnungen und Anweisungen kann zu einem elektrischen Schlag, Brand und/oder schweren Verletzungen führen.

Bewahren Sie alle Warnungen und Anweisungen für spätere Bezugnahme auf.

Sicherheit im Arbeitsbereich

1. Halten Sie den Arbeitsbereich völlig frei von Personen.
2. Übernehmen Sie sich nicht, und stellen Sie sich auch nicht auf instabile Stützen. Achten Sie stets auf sicheren Stand und gute Balance.
3. Stellen Sie den Hochdruckreiniger-Hauptteil immer auf eine ebene und stabile Oberfläche. Vermeiden Sie Bereiche, wo das ausgestoßene Wasser fließen oder sich ansammeln kann.
4. Überprüfen Sie vor der Reinigung die Umgebung und die zu reinigenden Gegenstände. Hochdruckstrahlen können Lack oder andere Oberflächenbehandlungen, einschließlich giftiger Chemikalien, abschaben. Treffen Sie nötigenfalls Vorbeugungsmaßnahmen.
5. Achten Sie darauf, dass Sie nicht über das Kabel oder den Schlauch des Hochdruckreinigers stolpern. Achten Sie während der Arbeit stets auf die Konfiguration von Kabel und Schlauch.
6. Während des Gebrauchs tritt eine kleine Wassermenge an der Unterseite des Hochdruckreinigers aus. Vermeiden Sie die Aufstellung des Hochdruckreinigers in Bereichen, die Sie nicht nass machen wollen.

Persönliche Sicherheit

1. Um sich selbst vor dem Strahl und weggeschleuderten Gegenständen zu schützen, sollten Bediener geeignete Kleidung, wie Sicherheitstiefel, Schutzhandschuhe, Schutzhelm mit Visier, Gehörschutz usw. tragen.
2. Benutzen Sie den Hochdruckreiniger nicht im Bereich von Personen, wenn sie keine Schutzkleidung tragen.
3. Um die Verletzungsgefahr zu reduzieren, ist strenge Überwachung notwendig, wenn das Produkt in der Nähe von Kindern verwendet wird.
4. Wasser, das durch den Rückflussverhinderer geflossen ist, wird als nicht trinkbar betrachtet.

Elektrische Sicherheit

1. Benutzen Sie den Hochdruckreiniger niemals im Freien bei Regen.
2. Berühren Sie den Netzstecker und/oder die Netzsteckdose niemals mit nassen Händen.
3. Benutzen Sie die Maschine nicht, wenn das Versorgungskabel oder wichtige Teile der Maschine beschädigt sind, z. B. Sicherheitsvorrichtungen, Hochdruckschläuche oder die Schaltwippe.
4. Der Stecker muss an die Steckdose angepasst sein. Der Stecker darf auf keinen Fall in irgendeiner Form abgeändert werden. Verwenden Sie keinen Adapterstecker mit geerdeten Elektrowerkzeugen. Vorschriftenmäßige Stecker und passende Steckdosen reduzieren die Stromschlaggefahr.
5. Unzulängliche Verlängerungskabel können gefährlich sein. Wenn ein Verlängerungskabel verwendet wird, muss es für Freiluftbenutzung geeignet sein, und die Verbindung muss trocken und vom Boden abgehoben gehalten werden. Es wird empfohlen, dies mittels einer Kabeltrommel zu bewerkstelligen, die die Steckdose mindestens 60 mm über dem Boden hält.
6. Beachten Sie Folgendes bei der Verwendung von Verlängerungskabeln:
 - Verwenden Sie nur Verlängerungskabel, die für Freiluftbenutzung vorgesehen sind.
 - Verwenden Sie nur Verlängerungskabel, deren elektrische Belastbarkeit der Belastbarkeit des Produkts entspricht oder diese übertrifft.
 - Verwenden Sie keine beschädigten Verlängerungskabel.
 - Untersuchen Sie Verlängerungskabel vor Gebrauch, und wechseln Sie sie bei Beschädigung aus.
 - Unterlassen Sie Missbrauch von Verlängerungskabeln und Ziehen am Kabel zum Trennen.
 - Halten Sie Kabel von Hitze und scharfen Kanten fern.

- Ziehen Sie das Verlängerungskabel immer von der Steckdose ab, bevor Sie das Produkt vom Verlängerungskabel trennen.
7. Die Verbindung mit der Stromversorgung ist von einem qualifizierten Elektriker vorzunehmen und muss die Norm IEC 60364-1 erfüllen. Es wird empfohlen, die Stromversorgung dieser Maschine entweder mit einer Fehlerstrom-Schutzeinrichtung, die die Versorgung unterbricht, wenn der Erdschlussstrom 30 mA für 30 ms überschreitet, oder mit einer Vorrichtung auszustatten, die den Erdungskreis sichert.

Gebrauch und Pflege von Elektrowerkzeugen

1. Lesen Sie alle Anweisungen vor Gebrauch des Produkts.
2. Erlernen Sie die Verfahren zum Stoppen des Hochdruckreinigers und zum schnellen Ablassen von Drücken. Machen Sie sich mit den Bedienelementen gründlich vertraut.
3. Hochdruckstrahlen können bei Missbrauch gefährlich sein. Der Strahl darf nicht auf Personen, Strom führende Elektrogeräte oder die Maschine selbst gerichtet werden.
4. Diese Maschine sollte nicht von Personen (einschließlich Kindern) mit reduzierten körperlichen, sensorischen oder geistigen Fähigkeiten oder mangelnder Erfahrung und Kenntnis benutzt werden.
5. Kinder sollten beaufsichtigt werden, um sicherzugehen, dass sie nicht mit dem Gerät spielen.
6. Versprühen Sie keine brennbaren und/oder giftigen Flüssigkeiten. Es kann sonst zu einer Explosion, Vergiftung oder Beschädigung der Maschine kommen.
7. Richten Sie den Strahl nicht auf sich selbst oder andere, um Kleidungsstücke oder Schuhwerk zu reinigen.
8. Hochdruckschläuche, Armaturen und Kupplungen sind wichtig für die Sicherheit der Maschine. Verwenden Sie nur vom Hersteller empfohlene Schläuche, Armaturen und Kupplungen.
9. Befolgen Sie die Anweisungen beim Auswechseln von Zubehör.
10. Halten Sie die Handgriffe trocken, sauber und frei von Öl oder Fett.
11. Bleiben Sie wachsam - achten Sie auf Ihre Handlungen.
12. Betreiben Sie das Produkt nicht, wenn Sie müde sind oder unter dem Einfluss von Alkohol oder Medikamenten stehen.
13. Lassen Sie den Hochdruckreiniger nicht länger als eine Minute ohne Wasser laufen. Andernfalls wird der Motor beschädigt, was zu einer Funktionsstörung führt.
14. Schalten Sie stets die Stromversorgung aus, und stellen Sie die Wasserversorgung ab, wenn Sie den Hochdruckreiniger unbeaufsichtigt lassen.

15. Seien Sie vor Rückschlag auf der Hut. Die Schaltpistole schlägt zurück, wenn der Hochdruckstrahl aus der Düse ausgestoßen wird. Halten Sie die Schaltpistole mit festem Griff, um versehentliche Verletzungen zu verhindern.
16. Prüfen Sie vor Gebrauch nach, ob beschädigte oder verschlissene Teile vorhanden sind. Vergewissern Sie sich auch, dass der Schlauch ordnungsgemäß angeschlossen ist, und dass während des Betriebs keine Leckage auftritt. Der Betrieb der Maschine mit funktionalen Defekten kann einen Unfall verursachen.
17. Diese Maschine wurde für den Einsatz mit dem Reinigungsmittel ausgelegt, das vom Hersteller geliefert oder empfohlen wird. Die Verwendung anderer Reinigungsmittel oder Chemikalien kann sich negativ auf die Sicherheit der Maschine auswirken.
18. Ziehen Sie nicht am Kabel und/oder Schlauch, um den Hochdruckreiniger-Hauptteil zu verschieben. Dies verursacht eine Beschädigung von Kabel, Schlauch und Verbindungsteilen und führt zu einem Kurzschluss oder funktionalen Defekten.
19. Stellen Sie keine schweren Gegenstände auf den Schlauch, und lassen Sie auch keine Fahrzeuge darüber fahren.
20. Lassen Sie stets den Restdruck in der Schaltpistole ab, bevor Sie den Schlauch abtrennen.
21. Beachten Sie die Anweisungen Ihres lokalen Wasserversorgungsamts oder Wasserwerks, wenn Sie den Schlauch an die Hauptwasserleitung anschließen.

Wartung

1. Befolgen Sie die in der Anleitung angegebenen Wartungsanweisungen.
2. Um die Sicherheit der Maschine zu gewährleisten, verwenden Sie nur vom Hersteller gelieferte oder zugelassene Original-Ersatzteile.
3. Lassen Sie Ihren Hochdruckreiniger nur unter Verwendung identischer Ersatzteile von einem qualifizierten Wartungstechniker warten. Dadurch wird die Aufrechterhaltung der Sicherheit des Hochdruckreinigers gewährleistet.
4. Im Falle einer Betriebs- oder Funktionsstörung des Hochdruckreinigers, sollten Sie ihn unverzüglich ausschalten und den Netzstecker abziehen. Wenden Sie sich an einen Händler oder ein Service-Center in Ihrer Nähe.

DIESE ANWEISUNGEN AUFBEWAHREN.

⚠️ WARNUNG: Lassen Sie sich NICHT durch Bequemlichkeit oder Vertrautheit mit dem Produkt (durch wiederholten Gebrauch erworben) von der strikten Einhaltung der Sicherheitsregeln für das vorliegende Produkt abhalten.

MISSBRAUCH oder Missachtung der Sicherheitsvorschriften in dieser Anleitung können schwere Verletzungen verursachen.

FUNKTIONSBESCHREIBUNG

⚠️ VORSICHT: Vergewissern Sie sich vor jeder Einstellung oder Funktionsprüfung des Werkzeugs stets, dass es ausgeschaltet und vom Stromnetz getrennt ist.

Netzschalter

ANMERKUNG: Drehen Sie den Netzschalter nicht gewaltsam. Dies kann eine Funktionsstörung des Schalters verursachen.

Für das Modell HW1200

- **Abb.1:** 1. AUS-Stellung 2. EIN-Stellung

Drehen Sie den Netzschalter im Uhrzeigersinn, um den Hochdruckreiniger einzuschalten.

Für das Modell HW1300

Drehen Sie den Netzschalter abhängig vom Druckpegel im oder entgegen dem Uhrzeigersinn. Drehen Sie den Netzschalter im Uhrzeigersinn für den Hochdruckmodus und entgegen dem Uhrzeigersinn für den Niederdruckmodus.

- **Abb.2:** 1. Niederdruckmodus 2. AUS-Stellung 3. Hochdruckmodus

Düsenfunktionen

Vario-Power-Sprühlanze

- **Abb.3**

Der Strahldruck kann durch Drehen der Düse eingestellt werden.

⚠️ VORSICHT: Achten Sie beim Einstellen des Strahlendrucks darauf, dass Sie die Düse nicht drehen, während Sie sie zur Schaltpistole ziehen. Die Düse kann sich sonst von der Schaltpistole lösen und Personenschäden verursachen.

Dreckfräser

- **Abb.4**

Ein spiralförmiger Strahl wird ausgestoßen. Eignet sich zum Entfernen von hartnäckigem Schmutz.

ANMERKUNG: Verwenden Sie den Dreckfräser nicht zum Reinigen von zerbrechlichen Oberflächen, wie z. B. Fenster oder Autokarosserien.

Schaumdüse

- **Abb.5**

Reinigungsmittel kann als Schaum versprüht werden.

Auslöserbetätigung

Betätigen Sie den Auslöser, um einen Wasserstrahl abzugeben. Der Strahl wird abgegeben, solange der Auslöser gedrückt gehalten wird.

Zur sicheren Handhabung der Schaltpistole kann der Auslöser verriegelt werden. Um den Auslöser zu verriegeln, ziehen Sie den Stopper heraus, und hängen Sie ihn in die Nut am Griff ein.

- **Abb.6:** 1. Stopper 2. Nut

ANMERKUNG: Um einen mechanischen Fehler im Druckschalter zu vermeiden, halten Sie stets ein Zwei-Sekunden-Intervall zwischen Auslöserbetätigungen ein.

Sicherheitsventil

Dieses Gerät ist mit einem Sicherheitsventil ausgestattet, das unzulässigen Überdruck verhindert. Wenn der Auslöser losgelassen wird, öffnet sich das Ventil, und das Wasser läuft durch den Pumpeneinlass zurück.

⚠ VORSICHT: Unterlassen Sie Manipulieren oder Verändern der Sicherheitsventil-Einstellung.

Schlauchtrommel

Nur für das Modell HW1300

Um den Schlauch abzuwickeln, nehmen Sie zuerst das Schlauchende aus der Klinke. Klappen Sie den Kurbelgriff aus, und drehen Sie ihn im Uhrzeigersinn. Wickeln Sie den Schlauch immer vollständig ab, wenn Sie den Hochdruckreiniger betreiben.

► **Abb.7:** 1. Schlauchtrommel 2. Kurbelgriff
3. Schlauchende

Zum Aufrollen des Schlauchs drehen Sie den Kurbelgriff entgegen dem Uhrzeigersinn, und fixieren Sie das Schlauchende.

► **Abb.8:** 1. Klinke 2. Kurbelgriff

Wasserversorgung von einem Tank/ Behälter

Sonderzubehör

Anstelle eines Wasserhahns können Sie Wasser auch von einem Tank oder Behälter zuführen. Ersetzen Sie den Wasserschlauchverbinder durch den Saugschlauchsatz (Sonderzubehör). Wenn Sie den Saugschlauchsatz anschließen, trennen Sie das Filtergehäuse vom Schlauch, und bringen Sie es am Einlass des Hochdruckreinigers an. Schließen Sie dann den Schlauch an das Filtergehäuse an.

► **Abb.9:** 1. Tank/Behälter 2. Saugschlauchsatz
3. Wasserschlauchverbinder 4. Schlauch
5. Filtergehäuse 6. Einlass des Hochdruckreinigers

ANMERKUNG: Verwenden Sie immer den Saugschlauchsatz von Makita.

ANMERKUNG: Halten Sie immer eine Höhe von maximal 1,0 m (3,28 ft) zwischen dem Einlass des Hochdruckreinigers und dem Wasserspiegel ein. Anderenfalls ist der Hochdruckreiniger nicht in der Lage, das Wasser in die Pumpe anzusaugen.

Um Wasser in den Schlauch einzuleiten, entfernen Sie die Düse von der Schaltpistole, und schalten Sie den Hochdruckreiniger bei betätigtem Auslöser ein. Sobald ein stabiler Wasserstrahl aus der Schaltpistole ausgestoßen wird, lassen Sie den Auslöser los, und bringen Sie die für Ihre Zwecke geeignete Düse an.

► **Abb.10:** 1. Schaltpistole

HINWEIS: Wenn kein Wasser ausgestoßen wird, nehmen Sie den Saugschlauchsatz ab, und tauchen Sie ihn in Wasser. Schließen Sie ihn dann wieder an den Hochdruckreiniger an.

► **Abb.11:** 1. Saugschlauchsatz

MONTAGE

⚠ VORSICHT: Vergewissern Sie sich vor der Ausführung von Arbeiten am Werkzeug stets, dass es ausgeschaltet und vom Stromnetz getrennt ist.

Montieren des Tragegriffs

Nur für das Modell HW1200

1. Verbinden Sie die vordere und hintere Hälfte des Griffs, indem Sie die Schraubenbohrungen am Hochdruckreiniger-Hauptteil ausrichten.

► **Abb.12:** 1. Vordere Hälfte des Griffs
2. Hintere Hälfte des Griffs
3. Hochdruckreiniger-Hauptteil

2. Sichern Sie den Tragegriff mit Schrauben (7 Stück).

► **Abb.13**

Anschließen des Hochdruckschlauchs

Nur für das Modell HW1200

Schließen Sie den Hochdruckschlauch an den Auslass (mit der Pistolenmarkierung) an. Drehen Sie die Mutter am Hochdruckschlauch im Uhrzeigersinn, während Sie sie auf das Gewinde des Auslasses schrauben.

► **Abb.14:** 1. Auslass 2. Mutter

⚠ VORSICHT: Vergewissern Sie sich, dass der Hochdruckschlauch sicher angeschlossen ist. Bei einer lockeren Verbindung kann der Hochdruckschlauch weggeschleudert werden, was zu einem Personenschaden führen kann.

Anbringen der Schaltpistole

Schließen Sie den Hochdruckschlauch an den Einlass der Schaltpistole an. Drehen Sie die Mutter am Hochdruckschlauch im Uhrzeigersinn, während Sie sie auf das Gewinde des Einlasses schrauben.

► **Abb.15:** 1. Einlass 2. Mutter

⚠ VORSICHT: Vergewissern Sie sich, dass der Hochdruckschlauch sicher angeschlossen ist. Bei einer lockeren Verbindung kann der Hochdruckschlauch weggeschleudert werden, was zu einem Personenschaden führen kann.

Anschließen an einen Wasserhahn

⚠ VORSICHT: Verwenden Sie immer einen druckfesten Wasserschlauch mit einem Durchmesser von $\varnothing 13$ mm oder mehr, und schließen Sie ihn an den Wasserhahn mit geeigneten Armaturen an. Anderenfalls kann der Wasserschlauch und/oder die Armatur brechen und Personenschäden verursachen.

ANMERKUNG: Der druckfeste Wasserschlauch sollte so kurz wie möglich sein. Die Menge des Ansaugwassers sollte größer als das maximale Fördervolumen der Pumpe sein.

ANMERKUNG: Wenn Sie das Gerät an die Trinkwasserversorgung anschließen, verwenden Sie ein Rückflussverhinderungsventil, das die Vorschriften in Ihrer Region erfüllt.

Bereiten Sie einen druckfesten Wasserschlauch vor. Bringen Sie die Kupplungsmuffe an einem Ende an, und verbinden Sie das andere Ende wie folgt mit dem Wasserhahn.

1. Entfernen Sie die Mutter an der Kupplungsmuffe, und führen Sie den druckfesten Wasserschlauch durch die Mutter. Führen Sie das Schlauchende in die Kupplungsmuffe ein, und ziehen Sie dann die Mutter fest.

► **Abb.16:** 1. Druckfester Wasserschlauch 2. Mutter der Kupplungsmuffe 3. Kupplungsmuffe

HINWEIS: Wenn Sie den druckfesten Wasserschlauch mit einer Kupplungsmuffe an den Wasserhahn anschließen, bringen Sie eine an beiden Enden des Schlauchs an.

2. Schließen Sie den druckfesten Wasserschlauch an den Wasserhahn an. Bringen Sie eine geeignete Armatur, wie z. B. eine Schlauchschelle oder eine Wasserhahnkupplung, an, um das Schlauchende am Wasserhahn zu sichern.

► **Abb.17:** 1. Schlauchschelle
2. Wasserhahnkupplung 3. Druckfester Wasserschlauch

HINWEIS: Die Art der Armatur hängt von der Form des Wasserhahns ab, an den Sie den Anschluss vornehmen. Bereiten Sie eine geeignete handelsübliche Armatur vor.

3. Bringen Sie den Wasserschlauchverbinder am Einlass (mit der Wasserhahnmarkierung) an, und führen Sie dann die Kupplungsmuffe ein.

► **Abb.18:** 1. Kupplungsmuffe
2. Wasserschlauchverbinder 3. Einlass

Anbringen/Abnehmen der Düse

⚠ VORSICHT: Verriegeln Sie immer den Auslöser, wenn Sie die Düse anbringen/abnehmen.

Führen Sie das Ende der Düse in den Schlitz an der Schaltpistole ein, und drehen Sie es in Pfeilrichtung, wie in der Abbildung gezeigt. Zum Abnehmen drehen Sie die Düse in umgekehrter Richtung, während Sie sie gegen die Schaltpistole drücken.

► **Abb.19:** 1. Schaltpistole 2. Schlitz 3. Ende der Düse

Bei einigen optionalen Düsen muss das Verbindungsstück (Sonderzubehör) an der Schaltpistole angebracht werden. Bringen Sie das Verbindungsstück auf die gleiche Weise wie die Düse an der Schaltpistole an.

► **Abb.20:** 1. Düse 2. Verbindungsstück
3. Schaltpistole

HINWEIS: Das Verbindungsstück wird benötigt, wenn die im Lieferumfang eines anderen Modells, HW112 oder HW121, enthaltenen Düsen verwendet werden.

Anschließen der Schaumdüse

⚠ VORSICHT: Verriegeln Sie immer den Auslöser, wenn Sie die Düse anbringen/abnehmen.

Bereiten Sie ein Reinigungsmittel vor, bevor Sie die Schaumdüse verwenden.

1. Entfernen Sie die Düse durch Drehen entgegen dem Uhrzeigersinn vom Tank. Bringen Sie die Düse an der Schaltpistole an.

► **Abb.21:** 1. Düse 2. Schaltpistole

2. Gießen Sie das Reinigungsmittel in den Tank, und montieren Sie diesen an der Düse.

► **Abb.22:** 1. Tank

ANMERKUNG: Verwenden Sie immer ein neutrales Reinigungsmittel. Säurehaltiges oder alkalisches Reinigungsmittel kann den Tank oder die Düse beschädigen.

BETRIEB

⚠ WARNUNG: Berühren Sie den Wasserstrahl nicht, und richten Sie ihn auch nicht auf sich selbst oder andere. Der Wasserstrahl ist gefährlich und kann Sie oder andere verletzen.

⚠ WARNUNG: Wenn Sie den Wasserstrahl abgeben, halten Sie den zu reinigenden Gegenstand niemals mit der Hand, und bringen Sie auch nicht Ihre Hände und Füße in die Nähe des Wasserstrahls.

⚠ VORSICHT: Seien Sie auf der Hut vor dem Rückstoß des Wasserstrahls und vor weggeschleuderten Gegenständen. Halten Sie die Düse nicht näher als 30 cm .

⚠ VORSICHT: Lassen Sie den Hochdruckreiniger nicht länger als 1 Minute ohne Wasser laufen.

⚠ VORSICHT: Betreiben Sie den Hochdruckreiniger nicht über eine längere Zeitspanne. Dies kann zu Überhitzung oder einem Brand führen. Außerdem kann langfristige Benutzung Gefährdung durch Vibrationen mit sich bringen.

⚠ VORSICHT: Achten Sie auf die Windrichtung. Falls das Reinigungsmittel in Ihre Augen oder Ihren Mund gelangt, spülen Sie die betroffenen Stellen sofort mit Frischwasser ab, und suchen Sie nötigenfalls ärztliche Behandlung auf.

ANMERKUNG: Vermeiden Sie den Gebrauch des Hochdruckreinigers für mehr als 1 Stunde. Legen Sie nach 1-stündigem Gebrauch eine ebenso lange Pause ein.

1. Schließen Sie das Ende des Hochdruckschlauchs an die Schaltpistole an. Schließen Sie das andere Ende im Falle des Modells HW1200 an den Hochdruckreiniger an. Wickeln Sie den Schlauch im Falle des Modells HW1300 vollständig ab.
2. Schließen Sie den Hochdruckreiniger an den Wasserhahn an, und öffnen Sie dann den Wasserhahn.
▶ **Abb.23**

ANMERKUNG: Um den Mechanismus des Hochdruckreinigers zu schützen, verwenden Sie kein Wasser, das heißer als 40 °C ist.

3. Schließen Sie den Hochdruckreiniger an das Stromnetz an, und schalten Sie ihn ein.
▶ **Abb.24:** 1. Netzschalter
4. Um einen Wasserstrahl abzugeben, entriegeln Sie den Stopper, und drücken Sie den Auslöser. Der Strahl wird abgegeben, solange der Auslöser gedrückt gehalten wird.
▶ **Abb.25:** 1. Stopper

⚠ VORSICHT: Halten Sie die Schaltpistole mit festem Griff. Die Betätigung des Auslösers bewirkt einen Rückstoß an der Schaltpistole.

⚠ VORSICHT: Halten Sie die Schaltpistole beim Reinigen immer am Griff und am Pistolenlauf. Berühren Sie bei laufendem Motor keinen Teil des Hochdruckreiniger-Hauptteils außer dem Tragegriff und dem Netzschalter.

ANMERKUNG: Achten Sie darauf, dass Sie die Schaltpistole während des Betriebs nicht gewaltsam ziehen. Dies kann zum Umkippen des Hochdruckreinigers führen.

Nach dem Betrieb

⚠ VORSICHT: Führen Sie nach dem Betrieb immer das in dieser Anleitung beschriebene Verfahren durch. Restdruck in der Schaltpistole oder im Hochdruckreiniger kann Personenschäden oder Beschädigung der internen Pumpe verursachen.

1. Lassen Sie den Netzschalter nach dem Betrieb eingeschaltet.
2. Schließen Sie den Wasserhahn, und trennen Sie den Wasserschlauch vom Hochdruckreiniger.
▶ **Abb.26**
3. Drücken Sie den Auslöser, bis das restliche Wasser im Hochdruckreiniger ausgestoßen wird. Lassen Sie den Motor nicht länger als 1 Minute laufen.
▶ **Abb.27**

4. Schalten Sie den Hochdruckreiniger aus, und trennen Sie ihn vom Stromnetz.
▶ **Abb.28:** 1. Netzschalter

5. Trennen Sie den Hochdruckschlauch von der Schaltpistole.
▶ **Abb.29:** 1. Schaltpistole 2. Hochdruckschlauch

Trennen Sie beim Modell HW1200 auch den Hochdruckschlauch vom Hochdruckreiniger.
▶ **Abb.30:** 1. Hochdruckschlauch

Wickeln Sie den Schlauch beim Modell HW1300 auf, und fixieren Sie das Schlauchende.
▶ **Abb.31:** 1. Klinke 2. Kurbelgriff

ANMERKUNG: Um eine Beschädigung des Hochdruckschlauchs zu verhindern, lassen Sie das restliche Wasser im Schlauch vor der Lagerung ab.

WARTUNG UND LAGERUNG

⚠ VORSICHT: Vergewissern Sie sich vor der Durchführung von Überprüfungen oder Wartungsarbeiten des Werkzeugs stets, dass es ausgeschaltet und vom Stromnetz getrennt ist.

ANMERKUNG: Verwenden Sie auf keinen Fall Benzin, Waschbenzin, Verdünnern, Alkohol oder dergleichen. Solche Mittel können Verfärbung, Verformung oder Rissbildung verursachen.

Reinigen der Düse

Verwenden Sie den Reinigungsstift, um Schmutz von der Düse zu entfernen oder Verstopfungen zu beseitigen.

- ▶ **Abb.32:** 1. Reinigungsstift

ANMERKUNG: Entfernen Sie Schmutz oder Unrat nicht gewaltsam. Dies kann zu Personenschäden oder Beschädigung der Austrittsöffnung führen, wodurch abgewichene Strahlwinkel oder schlechte Leistung verursacht werden können.

Reinigen des Filters

Lösen Sie den Wasserschlauchverbinder, und entfernen Sie Schmutz und Unrat aus dem Inneren des Filters.

- **Abb.33:** 1. Wasserschlauchverbinder 2. Filter
3. Dichtungsring

Wenn Sie den Saugschlauchsatz (Sonderzubehör) verwenden, nehmen Sie den Filter aus dem Filtergehäuse heraus, und entfernen Sie Schmutz und Unrat.

- **Abb.34:** 1. Filter 2. Filtergehäuse

HINWEIS: Um die optimale Leistung aufrechtzuerhalten, reinigen Sie den Filter regelmäßig.

Lagerung

Wickeln Sie den Schlauch und das Kabel auf. Stecken Sie die Schaltpistole und die Düsen in die Aufbewahrungstaschen.

HW1200

- **Abb.35**

HW1300

- **Abb.36**

⚠VORSICHT: Lagern Sie das Gerät immer in einem Innenraum, wo die Temperatur nicht unter den Gefrierpunkt sinkt. Falls der Hochdruckreiniger einfriert und nicht richtig funktioniert, kontaktieren Sie Ihr örtliches Service-Center für Reparaturen.

⚠VORSICHT: Benutzen Sie immer den Tragegriff zum Transportieren des Hochdruckreinigers. Tragen Sie ihn nicht am Schlauch oder Kabel. Anderenfalls kann der Schlauch oder das Kabel beschädigt werden.

⚠VORSICHT: Tragen Sie den Hochdruckreiniger nicht mit abgewickeltem Schlauch und/oder Kabel. Der/Das abgewickelte Schlauch/Kabel kann beschädigt oder mit anderen Gegenständen verwickelt werden, was zu Personenschäden oder Bruchschäden führen kann.

Um die SICHERHEIT und ZUVERLÄSSIGKEIT dieses Produkts zu gewährleisten, sollten Reparaturen und andere Wartungs- oder Einstellarbeiten nur von Makita-Vertragswerkstätten oder Makita-Kundendienstzentren unter ausschließlicher Verwendung von Makita-Originalersatzteilen ausgeführt werden.

FEHLERSUCHE

Bevor Sie den Reparatordienst anrufen, führen Sie zunächst Ihre eigene Inspektion durch. Falls Sie ein Problem finden, das nicht in der Anleitung erläutert wird, versuchen Sie nicht, das Werkzeug zu zerlegen. Wenden Sie sich stattdessen an autorisierte Makita-Kundendienstzentren, und achten Sie darauf, dass stets Makita-Ersatzteile für Reparaturen verwendet werden.

Zustand der Unregelmäßigkeit	Wahrscheinliche Ursache (Funktionsstörung)	Abhilfemaßnahme
Der Reiniger startet nicht.	Kein Strom	Schließen Sie den Netzstecker an das Stromnetz an. Prüfen Sie auch, ob das Stromnetz mit Strom versorgt wird.
	Der Schalter ist nicht eingeschaltet.	Schalten Sie den Schalter ein.
	Restdruck in der Pumpe	Betätigen Sie den Auslöser.
	Kabel oder Stromkreis beschädigt	Wenden Sie sich bezüglich einer Reparatur an ein autorisiertes Service-Center.
Kein Wasserstrahl / schwacher Wasserstrahl	Keine Wasserversorgung	Stellen Sie sicher, dass der Wasserhahn offen ist. Wenn Sie den Saugschlauchsatz verwenden, führen Sie dem Schlauch Wasser zu.
	Schlechte Wasserversorgung	Drehen Sie den Wasserhahn auf.
	Schlechter Wasserschlauchanschluss	Überprüfen Sie die Verbindung zwischen Wasserschlauch, Wasserhahn und Einlass des Hochdruckreinigers.
	Schlauch, Filter oder Düse verstopft	Beseitigen Sie die Verstopfung von Schlauch, Filter oder Düse.
	Luft blockiert den Wasserfluss.	Schalten Sie den Schalter aus und wieder ein, während Sie den Auslöser drücken.
	Düse beschädigt oder verschlissen	Ersetzen Sie die Düse.
Instabiler Wasserstrahl.	Funktionsstörung von Pumpe oder Ventil	Wenden Sie sich bezüglich einer Reparatur an ein autorisiertes Service-Center.
	Düse verstopft	Beseitigen Sie die Verstopfung der Austrittsöffnung der Düse mit dem Reinigungsstift.
	Schlechte Wasseransaugung	Überprüfen Sie den Wasserschlauch vom Wasserhahn ausgehend auf etwaige Undichtigkeit oder Verstopfung. Drehen Sie den Wasserhahn auf.
	Das Wasser ist zu heiß.	Führen Sie kühleres Wasser zu.
Anormales Geräusch.	Funktionsstörung des Ventils	Wenden Sie sich bezüglich einer Reparatur an ein autorisiertes Service-Center.
	Das Wasser ist zu heiß.	Führen Sie kühleres Wasser zu.
Wasser-/Ölleckage.	Luft ist in der Pumpe eingeschlossen.	Wenden Sie sich bezüglich einer Reparatur an ein autorisiertes Service-Center.
	Schlechte Verbindung	Überprüfen Sie die Verbindung zwischen dem Hochdruckschlauch, der Schaltwippe und dem Hochdruckreiniger.
Die Pumpe läuft nicht, obwohl das Motorgeräusch hörbar ist.	Verschlissene Dichtungen	Wenden Sie sich bezüglich einer Reparatur an ein autorisiertes Service-Center.
	Ungeeignetes Verlängerungskabel.	Verwenden Sie ein Verlängerungskabel, das für die Nennkapazität des Produkts geeignet ist.

SONDERZUBEHÖR

⚠ VORSICHT: Die folgenden Zubehörteile oder Vorrichtungen werden für den Einsatz mit dem in dieser Anleitung beschriebenen Makita-Werkzeug empfohlen. Die Verwendung anderer Zubehörteile oder Vorrichtungen kann eine Verletzungsgefahr darstellen. Verwenden Sie Zubehörteile oder Vorrichtungen nur für ihren vorgesehenen Zweck.

Wenn Sie weitere Einzelheiten bezüglich dieser Zubehörteile benötigen, wenden Sie sich bitte an Ihre Makita-Kundendienststelle.

HINWEIS: Manche Teile in der Liste können als Standardzubehör im Werkzeugsatz enthalten sein. Sie können von Land zu Land unterschiedlich sein.

Sprühlanze

► Abb.37

Die Strahlbreite kann durch Drehen des Vorderendes der Düse von 0° bis 25° eingestellt werden.

⚠ VORSICHT: Achten Sie beim Einstellen der Strahlbreite darauf, dass Sie die Düse nicht drehen, während Sie sie zur Schaltpistole ziehen. Die Düse kann sich sonst von der Schaltpistole lösen und Personenschäden verursachen.

Waschbürste (lang)

► Abb.38

Eine mit einer Bürste ausgestattete Düse. Praktisch zum Auswaschen von Schmutz bei gleichzeitigem Scrubben mit der Bürste.

Saugschlauchsatz

► Abb.39

Ersetzen Sie den Wasserschlauch durch diesen Satz, um Wasser aus einem Tank oder Behälter zuzuführen.

Rotationswaschbürste

► Abb.40

Drei Bürsten im Inneren drehen sich langsam, während der Strahl abgegeben wird. Geeignet zum Entfernen von leichtem Schmutz auf einer Außenwand, Autokarosserie, Badewanne usw.

Lanzenverlängerung

► Abb.41

Rohre zum Verlängern der Länge der Schaltpistole. Drei unterschiedliche Längen sind durch Ändern der Anzahl der zu verwendenden Rohre verfügbar.

Unterboden-Sprühlanze

► Abb.42

Eine besonders lange Sprühlanze mit angewinkelter Düse. Optimal zum Reinigen schwer erreichbarer Stellen, wie z. B. Unterboden eines Autos und Dachrinne.

⚠ VORSICHT: Verwenden Sie die Unterboden-Sprühlanze nicht mit der Lanzenverlängerung.

Spritzschutz

► Abb.43

Reduziert Rückspritzen beim Reinigen von Ecken mit dem Dreckfräser.

Drehkupplung

► Abb.44

Verhindert Verdrehen des Hochdruckschlauchs.

Verbindungsstück

► Abb.45

Zum Anschließen einer Düse eines anderen Modells.

HINWEIS: Das Verbindungsstück wird benötigt, wenn die im Lieferumfang eines anderen Modells, HW112 oder HW121, enthaltenen Düsen verwendet werden.

Rohrreinigungssatz (10 m/15 m)

► Abb.46

Zum Reinigen und Entstopfen von Rohrleitungen und Fallrohren.

⚠ VORSICHT: Schenken Sie dem Wasserstrahl besondere Aufmerksamkeit, wenn Sie den Rohrreinigungssatz verwenden. Ein äußerst starker Wasserstrahl wird rückwärts ausgestoßen.

Hochdruck-Verlängerungsschlauch (5 m/8 m/10 m)

► Abb.47

Verlängerungsschlauch zum Verbinden des Hochdruckreiniger-Hauptteils mit der Schaltpistole.

AVVERTENZA

- Le macchine non devono essere utilizzate dai bambini. I bambini vanno tenuti sotto controllo per accertarsi che non giochino con la macchina.
- Questa macchina non è destinata all'utilizzo da parte di persone (inclusi i bambini) con capacità fisiche, sensoriali o mentali ridotte, o con carenza di esperienza e preparazione.
- Questa macchina è stata progettata per l'uso con il detergente fornito in dotazione o consigliato dal produttore. L'utilizzo di altri detersivi o altri prodotti chimici potrebbe influenzare negativamente la sicurezza della macchina.
- I getti ad alta pressione possono essere pericolosi, se soggetti a uso improprio. Il getto non deve essere rivolto verso persone, apparecchi elettrici sotto tensione o la macchina stessa.
- Non utilizzare la macchina in prossimità di altre persone, a meno che indossino indumenti protettivi.
- Non dirigere il getto contro se stessi o altri per pulire indumenti o calzature.
- Rischio di esplosioni: non spruzzare liquidi infiammabili.
- Le idropulitrici ad alta pressione non vanno utilizzate da bambini o persone non addestrate.
- Tubi flessibili ad alta pressione, raccordi e giunti sono fondamentali per la sicurezza della macchina. Utilizzare solo tubi flessibili, raccordi e giunti consigliati dal produttore.
- Per garantire la sicurezza della macchina, utilizzare solo pezzi di ricambio originali del produttore o approvati dal produttore.
- Accertarsi sempre che l'utensile sia spento e scollegato dall'alimentazione elettrica prima di eseguire qualsiasi lavoro sull'utensile.
- Non utilizzare la macchina qualora un cavo di alimentazione o parti importanti della macchina siano danneggiati, ad esempio dispositivi di sicurezza, tubi flessibili ad alta pressione, pistola a grilletto.

- Cavi di prolunga inadeguati possono essere pericolosi. Se si utilizza un cavo di prolunga, quest'ultimo deve essere idoneo per l'uso all'aperto, e il collegamento deve essere mantenuto asciutto e sollevato dal suolo. A tale scopo, si consiglia di utilizzare una bobina di cavo che mantenga la presa ad almeno 60 mm al di sopra del suolo.
- Quando si intende lasciare la macchina incustodita, disattivare sempre l'interruttore di scollegamento dalla rete elettrica.
- Conformarsi ai requisiti dell'azienda locale di distribuzione dell'acqua.
- Per le nazioni europee:
In base allo standard EN12729 (BA), l'elettrodomestico può anche venire collegato alla rete pubblica di distribuzione dell'acqua potabile, qualora si installi sul tubo flessibile di alimentazione una valvola antiriflusso (disconnettore idrico) con funzione di scarico.

DATI TECNICI

Modello:		HW1200	HW1300
Volume massimo di alimentazione		7,0 l/min	7,5 l/min
Portata acqua		5,5 l/min	6,0 l/min
Pressione massima consentita		12 MPa (120 bar)	13 MPa (130 bar)
Pressione di esercizio	Modalità alta	10 MPa (100 bar)	11 MPa (110 bar)
	Modalità bassa	-	8 MPa (80 bar)
Pressione massima di alimentazione		1 MPa (10 bar)	
Temperatura massima di alimentazione		40°C	
Altezza massima di aspirazione		1,0 m	
Dimensioni (L x P x A)		292 mm x 358 mm x 830 mm	
Peso		11,0 kg	12,7 kg
Protezione motore		IPX5	

- In conseguenza del nostro programma di ricerca e sviluppo continui, i dati tecnici nel presente manuale sono soggetti a modifiche senza preavviso.
- I dati tecnici possono variare da nazione a nazione.
- Peso in conformità alla procedura EPTA 01/2003

Simboli

La figura seguente mostra i simboli utilizzati per l'apparecchio. Accertarsi di comprendere il loro significato prima dell'uso.



Leggere il manuale d'uso.



Adottare cura e attenzione particolari.



DOPPIO ISOLAMENTO



Solo per le nazioni della UE
Non smaltire gli apparecchi elettrici insieme ai rifiuti domestici! In conformità alla Direttiva Europea sui rifiuti di apparecchiature elettriche ed elettroniche (RAEE), e alla sua implementazione in base alla legge nazionale, gli apparecchi elettrici che hanno raggiunto la fine della loro vita utile devono essere sottoposti a raccolta differenziata e conferiti a una struttura di riciclaggio ecocompatibile.



Non dirigere il getto verso persone, incluso l'utilizzatore stesso, animali e apparecchi elettrici sotto tensione.



Non idoneo per il collegamento alla rete pubblica di distribuzione dell'acqua potabile.

Utilizzo previsto

Questo utensile è destinato alla pulizia dello sporco ostinato mediante l'uso di un getto d'acqua. Questo utensile è destinato all'utilizzo domestico.

Alimentazione

L'utensile deve essere collegato a una fonte di alimentazione con la stessa tensione indicata sulla targhetta del nome, e può funzionare solo a corrente alternata monofase. L'utensile è dotato di doppio isolamento, per cui può essere utilizzato con prese elettriche sprovviste di messa a terra.

Per i sistemi di distribuzione della rete elettrica pubblica a bassa tensione da 220 V a 250 V

Le operazioni di accensione e spegnimento degli apparecchi elettrici causano fluttuazioni di tensione. L'utilizzo di questo dispositivo in condizioni inadatte della rete elettrica potrebbe produrre effetti negativi sul funzionamento di altri apparecchi. Con un'impedenza della rete elettrica pari o inferiore a 0,25 ohm, si può presumere che non si verifichino effetti negativi. La presa elettrica di rete utilizzata per questo dispositivo deve essere protetta da un fusibile o da un interruttore automatico di protezione a bassa velocità di intervento.

Rumore

Livello tipico di rumore pesato A determinato in base allo standard EN60335-2-79:

Modello HW1200

Livello di pressione sonora (L_{pA}): 72 dB (A)
Incertezza (K): 3,8 dB (A)

Modello HW1300

Livello di pressione sonora (L_{pA}): 76 dB (A)
Incertezza (K): 2,4 dB (A)

Il livello del rumore nelle condizioni di lavoro può superare gli 80 dB (A).

AVVERTIMENTO: Indossare protezioni per le orecchie.

Vibrazioni

Valore totale delle vibrazioni (somma vettoriale triassiale) determinato in base allo standard EN60335-2-79:

Modello HW1200

Emissione di vibrazioni (a_h): 4,11 m/s²
Incertezza (K): 1,5 m/s²

Modello HW1300

Emissione di vibrazioni (a_h): 4,86 m/s²
Incertezza (K): 1,5 m/s²

NOTA: Il valore di emissione delle vibrazioni dichiarato è stato misurato in conformità al metodo standard di verifica, e può essere utilizzato per confrontare un utensile con un altro.

NOTA: Il valore di emissione delle vibrazioni dichiarato può venire utilizzato anche per una valutazione preliminare dell'esposizione.

AVVERTIMENTO: L'emissione delle vibrazioni durante l'utilizzo effettivo dell'utensile elettrico può variare rispetto al valore di emissione dichiarato, a seconda dei modi in cui viene utilizzato l'utensile.

AVVERTIMENTO: Accertarsi di identificare le misure di sicurezza per la protezione dell'operatore basate sulla stima dell'esposizione nelle condizioni effettive di utilizzo (tenendo presente tutte le parti del ciclo operativo, ad esempio le volte in cui l'utensile viene spento e quando gira a vuoto, oltre al tempo di attivazione).

Dichiarazione di conformità CE

Solo per i paesi europei

La dichiarazione di conformità CE è inclusa nell'Allegato A al presente manuale di istruzioni.

AVVERTENZE DI SICUREZZA

AVVERTIMENTO: Leggere tutte le avvertenze relative alla sicurezza e tutte le istruzioni. La mancata osservanza delle avvertenze e delle istruzioni può risultare in scosse elettriche, incendi e/o gravi lesioni personali.

Conservare tutte le avvertenze e le istruzioni come riferimento futuro.

Sicurezza dell'area di lavoro

1. **Mantenere l'area di utilizzo libera da qualsiasi persona.**
2. **Non sporgersi né salire su supporti instabili. Mantenere una posizione sui piedi e un equilibrio saldi in qualsiasi momento.**
3. **Posizionare sempre il corpo dell'idropulitrice ad alta pressione su una superficie piana e stabile. Evitare le aree in cui l'acqua espulsa possa scorrere via o creare pozze.**
4. **Prima della pulizia, controllare gli ambienti circostanti e gli oggetti da pulire. I getti ad alta pressione possono raschiare via la vernice o altri trattamenti delle superfici, incluse sostanze chimiche tossiche. Se necessario, adottare delle misure preventive.**
5. **Fare attenzione a non inciampare sul cavo o sul tubo flessibile dell'idropulitrice ad alta pressione. Tenere sempre presente la configurazione del cavo e del tubo flessibile durante l'uso.**
6. **Durante l'uso, una piccola quantità d'acqua fuoriesce dal lato inferiore dell'idropulitrice ad alta pressione. Evitare di collocare l'idropulitrice ad alta pressione nelle aree che non si intende bagnare.**

Sicurezza personale

1. Per proteggersi dal getto e dagli oggetti colpiti dal getto, gli operatori dovrebbero indossare indumenti appropriati, quali stivali di sicurezza, guanti di sicurezza, caschi di sicurezza con visiere, protezioni per l'udito, e così via.
2. Non utilizzare l'idropulitrice ad alta pressione in prossimità di persone, a meno che indossino indumenti protettivi.
3. Per ridurre il rischio di lesioni personali, è necessaria una supervisione ravvicinata quando il prodotto viene utilizzato in prossimità di bambini.
4. L'acqua che è passata attraverso un rompi-vuoto è considerata non potabile.

Sicurezza elettrica

1. Non utilizzare mai l'idropulitrice ad alta pressione all'aperto sotto la pioggia.
2. Non toccare mai la spina e/o la presa dell'alimentazione elettrica con le mani bagnate.
3. Non utilizzare la macchina qualora il cavo di alimentazione o parti importanti della macchina siano danneggiati, ad esempio dispositivi di sicurezza, tubi flessibili ad alta pressione o la pistola a grilletto.
4. La spina deve essere compatibile con la presa elettrica. Non modificare mai la spina in alcun modo. Non utilizzare alcun adattatore per spina con strumenti dotati di messa a terra. Una spina non modificata e una presa elettrica compatibile riducono il rischio di scosse elettriche.
5. Cavi di prolunga inadeguati possono essere pericolosi. Se si utilizza un cavo di prolunga, quest'ultimo deve essere idoneo per l'uso all'aperto, e il collegamento deve essere mantenuto asciutto e sollevato dal suolo. A tale scopo, si consiglia di utilizzare una bobina di cavo che mantenga la presa ad almeno 60 mm al di sopra del suolo.
6. Tenere presente quanto segue quando si intende utilizzare cavi di prolunga:
 - Utilizzare solo cavi di prolunga destinati all'utilizzo all'aperto.
 - Utilizzare solo cavi di prolunga con prestazioni elettriche nominali pari o superiori a quelle del prodotto.
 - Non utilizzare cavi di prolunga danneggiati.
 - Esaminare i cavi di prolunga prima dell'uso e sostituirli qualora siano danneggiati.
 - Non effettuare usi impropri dei cavi di prolunga e non tirare i cavi per scollegarli.
 - Tenere i cavi lontani da fonti di calore e bordi taglienti.
 - Scollegare sempre il cavo di prolunga dalla presa prima di scollegare il prodotto dal cavo di prolunga.

7. Il collegamento alla fonte di alimentazione elettrica deve essere effettuato da un tecnico qualificato e deve essere conforme alla norma CEI 60364-1. Si consiglia di includere nella fonte di alimentazione elettrica a questa macchina un dispositivo differenziale che interrompa l'alimentazione qualora la corrente di dispersione a terra superi i 30 mA per 30 ms o un dispositivo che verifichi il circuito di terra.

Uso e cura dell'utensile elettrico

1. Leggere tutte le istruzioni prima di utilizzare il prodotto.
2. Essere informati su come arrestare l'idropulitrice ad alta pressione e far sfiatare le pressioni rapidamente. Avere la completa familiarità con i controlli.
3. I getti ad alta pressione possono essere pericolosi, se ne viene fatto un uso improprio. Il getto non deve essere rivolto verso persone, apparecchi elettrici sotto tensione o la macchina stessa.
4. Questa macchina non è destinata all'utilizzo da parte di persone (inclusi i bambini) con capacità fisiche, sensoriali o mentali ridotte, o con carenza di esperienza e preparazione.
5. I bambini vanno tenuti sotto controllo per accertarsi che non giochino con l'elettrodomestico.
6. Non spruzzare liquidi infiammabili e/o tossici. In caso contrario, si potrebbe causare un'esplosione, un'intossicazione o danni alla macchina.
7. Non dirigere il getto contro se stessi o altri per pulire indumenti o calzature.
8. Tubi flessibili ad alta pressione, raccordi e giunti sono fondamentali per la sicurezza della macchina. Utilizzare solo tubi flessibili, raccordi e giunti consigliati dal produttore.
9. Seguire le istruzioni quando si intende cambiare gli accessori.
10. Mantenere le maniglie asciutte, pulite e prive di olio o grasso.
11. Restare vigili: fare attenzione a cosa si sta facendo.
12. Non far funzionare il prodotto quando si è stanchi o sotto l'influenza di alcool o droghe.
13. Non far funzionare l'idropulitrice ad alta pressione senz'acqua per più di un minuto. In caso contrario, si danneggia il motore, causando un guasto.
14. Spegnerne sempre l'apparecchio e chiudere la conduttura principale dell'acqua quando si intende lasciare l'idropulitrice ad alta pressione incustodita.
15. Fare attenzione ai contraccolpi. La pistola a grilletto rincula quando il getto ad alta pressione viene espulso dall'ugello. Mantenere saldamente la pistola a grilletto per evitare lesioni personali accidentali.
16. Prima dell'uso, controllare l'eventuale presenza di parti danneggiate o usurate. Inoltre, accertarsi che il tubo flessibile sia collegato correttamente e che non siano presenti perdite durante l'uso. L'utilizzo della macchina con difetti funzionali potrebbe causare un incidente.

17. Questa macchina è stata progettata per l'uso con il detergente fornito in dotazione o consigliato dal produttore. L'utilizzo di altri detersivi o altri prodotti chimici potrebbe influenzare negativamente la sicurezza della macchina.
18. Non tirare il cavo e/o il tubo flessibile per spostare il corpo dell'idropulitrice ad alta pressione. In caso contrario, si danneggiano il cavo, il tubo flessibile e le parti di collegamento, causando un cortocircuito o difetti funzionali.
19. Non collocare oggetti pesanti sul tubo flessibile né consentire a veicoli di passarvi sopra.
20. Scaricare sempre la pressione residua presente nella pistola a grilletto prima di scollegare il tubo flessibile.
21. Quando si intende collegare il tubo flessibile alla condotta principale dell'acqua, osservare le istruzioni del proprio acquedotto locale o della propria azienda.

Assistenza

1. **Attenersi alle istruzioni di manutenzione specificate nel manuale.**
2. **Per garantire la sicurezza della macchina, utilizzare solo pezzi di ricambio originali del produttore o approvati dal produttore.**
3. **Gli interventi di manutenzione sull'idropulitrice ad alta pressione devono essere effettuati da un tecnico qualificato utilizzando solo parti di ricambio identiche. Ciò assicura che la sicurezza dell'idropulitrice ad alta pressione venga preservata.**
4. **In caso di guasto o malfunzionamento dell'idropulitrice ad alta pressione, spegnerla immediatamente e rimuovere la spina dell'alimentazione elettrica. Contattare il proprio rivenditore o centro di assistenza locale.**

CONSERVARE LE PRESENTI ISTRUZIONI.

⚠AVVERTIMENTO: NON lasciare che la comodità o la familiarità d'uso con il prodotto (acquisita con l'uso ripetuto) sostituiscano la stretta osservanza delle norme di sicurezza.

L'USO IMPROPRIO o la mancata osservanza delle norme di sicurezza riportate nel presente manuale di istruzioni potrebbero causare lesioni personali gravi.

DESCRIZIONE DELLE FUNZIONI

⚠ATTENZIONE: Accertarsi sempre che l'utensile sia spento e scollegato dall'alimentazione prima di regolare o controllare le sue funzioni.

Interruttore di accensione

AVVISO: Non ruotare forzatamente l'interruttore di accensione. Questo potrebbe causare il malfunzionamento dell'interruttore.

Per il modello HW1200

► Fig.1: 1. Posizione di SPEGNIMENTO 2. Posizione di ACCENSIONE

Per accendere l'idropulitrice ad alta pressione, ruotare l'interruttore di accensione in senso orario.

Per il modello HW1300

Ruotare l'interruttore di accensione in senso orario o antiorario, a seconda del livello della pressione. Ruotare l'interruttore di accensione in senso orario per la modalità ad alta pressione, e in senso antiorario per la modalità a bassa pressione.

► Fig.2: 1. Modalità a bassa pressione 2. Posizione di SPEGNIMENTO 3. Modalità ad alta pressione

Funzioni dell'ugello

Lancia a spruzzo Vario-Power

► Fig.3

È possibile regolare la pressione del getto ruotando l'ugello.

⚠ATTENZIONE: Quando si intende regolare la pressione del getto, non ruotare l'ugello mentre lo si tira verso la pistola a grilletto. L'ugello potrebbe staccarsi dalla pistola a grilletto e causare lesioni personali.

Scrostatore

► Fig.4

Viene espulso un getto a spirale. Idoneo per la rimozione dello sporco ostinato.

AVVISO: Non utilizzare lo scrostatore per pulire superfici fragili, quali finestre o carrozzerie di automobili.

Ugello schiumogeno

► Fig.5

È possibile spruzzare del detergente sotto forma di schiuma.

Operazioni con il grilletto

Premere il grilletto per espellere un getto d'acqua. Il getto prosegue fintanto che il grilletto viene tenuto premuto.

È possibile bloccare il grilletto per un utilizzo sicuro della pistola a grilletto. Per bloccare il grilletto, estrarre il fermo e agganciarlo alla scanalatura presente sull'impugnatura.

► Fig.6: 1. Fermo 2. Scanalatura

AVVISO: Per evitare un errore meccanico nell'interruttore a pressione, lasciare passare sempre un intervallo di due secondi tra le operazioni effettuate con il grilletto.

Valvola di sicurezza

Questo elettrodomestico è dotato di una valvola di sicurezza che evita una sovrappressione eccessiva. Quando si rilascia il grilletto, la valvola si apre e l'acqua ricircola attraverso l'entrata della pompa.

ATTENZIONE: Non alterare né regolare l'impostazione della valvola di sicurezza.

Avvolgitubo

Solo per il modello HW1300

Per srotolare il tubo flessibile, estrarre innanzitutto l'estremità del tubo flessibile dal gancio. Aprire la maniglia e ruotarla in senso orario. Srotolare sempre completamente il tubo flessibile fino all'estremità, quando si intende utilizzare l'idropulitrice ad alta pressione.

► **Fig.7:** 1. Avvolgitubo 2. Maniglia 3. Estremità del tubo flessibile

Quando si intende riporre il tubo flessibile, girare la maniglia in senso antiorario e fissare l'estremità del tubo flessibile.

► **Fig.8:** 1. Gancio 2. Maniglia

Alimentazione dell'acqua da un serbatoio o da una cisterna

Accessorio opzionale

È possibile alimentare l'acqua da un serbatoio o una cisterna, anziché da un rubinetto. Sostituire il raccordo per il tubo flessibile dell'acqua con il kit tubo flessibile di aspirazione (accessorio opzionale). Quando si intende collegare il kit tubo flessibile di aspirazione, scollegare il contenitore del filtro dal tubo flessibile e applicarlo all'entrata sull'idropulitrice ad alta pressione. Quindi, collegare il tubo flessibile al contenitore del filtro.

► **Fig.9:** 1. Serbatoio/cisterna 2. Kit tubo flessibile di aspirazione 3. Raccordo per il tubo flessibile dell'acqua 4. Tubo flessibile 5. Contenitore del filtro 6. Entrata sull'idropulitrice ad alta pressione

AVVISO: Utilizzare sempre il kit tubo flessibile di aspirazione Makita.

AVVISO: Mantenere sempre un'altezza di 1,0 m (3,28 ft) o meno tra l'entrata sull'idropulitrice ad alta pressione e la superficie dell'acqua. In caso contrario, l'idropulitrice ad alta pressione non sarà in grado di immettere l'acqua nella pompa.

Per introdurre acqua nel tubo flessibile, rimuovere l'ugello dalla pistola a grilletto e accendere l'idropulitrice ad alta pressione mentre si preme il grilletto. Una volta che l'acqua viene espulsa in modo stabile dalla pistola a grilletto, rilasciare il grilletto e applicare l'ugello adatto al proprio scopo.

► **Fig.10:** 1. Pistola a grilletto

NOTA: Quando l'acqua non viene espulsa, staccare il kit tubo flessibile di aspirazione e immergerlo in acqua. Quindi, ricollegarlo all'idropulitrice ad alta pressione.

► **Fig.11:** 1. Kit tubo flessibile di aspirazione

MONTAGGIO

ATTENZIONE: Accertarsi sempre che l'utensile sia spento e scollegato dall'alimentazione elettrica, prima di effettuare qualsiasi intervento su di esso.

Montaggio della maniglia da trasporto

Solo per il modello HW1200

1. Unire la metà anteriore e quella posteriore della maniglia allineando i fori per le viti sul corpo dell'idropulitrice ad alta pressione.

► **Fig.12:** 1. Metà anteriore della maniglia 2. Metà posteriore della maniglia 3. Corpo dell'idropulitrice ad alta pressione

2. Fissare la maniglia da trasporto con le viti (7 pezzi).

► **Fig.13**

Collegamento del tubo flessibile ad alta pressione

Solo per il modello HW1200

Collegare il tubo flessibile ad alta pressione all'uscita (con il simbolo della pistola). Ruotare il dado sul tubo flessibile ad alta pressione in senso orario, mentre lo si avvitava sulla filettatura dell'uscita.

► **Fig.14:** 1. Uscita 2. Dado

ATTENZIONE: Accertarsi che il tubo flessibile ad alta pressione sia collegato in modo saldo.

Un raccordo allentato potrebbe far staccare con violenza il tubo flessibile ad alta pressione, causando lesioni personali.

Montaggio della pistola a grilletto

Collegare il tubo flessibile ad alta pressione all'entrata sulla pistola a grilletto. Ruotare il dado sul tubo flessibile ad alta pressione in senso orario, mentre lo si avvitava sulla filettatura dell'entrata.

► **Fig.15:** 1. Entrata 2. Dado

ATTENZIONE: Accertarsi che il tubo flessibile ad alta pressione sia collegato in modo saldo.

Un raccordo allentato potrebbe far staccare con violenza il tubo flessibile ad alta pressione, causando lesioni personali.

Collegamento a un rubinetto

⚠ATTENZIONE: Utilizzare sempre un tubo flessibile dell'acqua resistente alla pressione con un diametro di $\varnothing 13$ mm o superiore, e collegarlo al rubinetto utilizzando raccordi adatti. In caso contrario, il tubo flessibile dell'acqua e/o il raccordo potrebbero rompersi e causare lesioni personali.

AVVISO: Utilizzare un tubo flessibile dell'acqua resistente alla pressione che sia il piú corto possibile. La quantità di acqua in entrata dovrebbe essere superiore al volume massimo di alimentazione della pompa.

AVVISO: Qualora si effettui il collegamento alla condotta dell'acqua potabile, utilizzare una valvola rompivuoto che soddisfi le normative della propria area geografica.

Preparare un tubo flessibile dell'acqua resistente alla pressione. Applicare il giunto di raccordo a un'estremità e collegare l'altra estremità al rubinetto nel modo seguente.

1. Rimuovere il dado sul giunto di raccordo e far passare il tubo flessibile dell'acqua resistente alla pressione attraverso il dado. Inserire l'estremità del tubo flessibile nel giunto di raccordo, quindi serrare il dado.
► **Fig.16:** 1. Tubo flessibile dell'acqua resistente alla pressione 2. Dado del giunto di raccordo 3. Giunto di raccordo

NOTA: Se si collega il tubo flessibile dell'acqua resistente alla pressione al rubinetto utilizzando un giunto di raccordo, applicarlo ad entrambe le estremità del tubo flessibile.

2. Collegare il tubo flessibile dell'acqua resistente alla pressione al rubinetto. Applicare un raccordo idoneo, ad esempio una fascetta stringitubo o un raccordo per rubinetto dell'acqua, per fissare l'estremità del tubo flessibile al rubinetto.

- **Fig.17:** 1. Fascetta stringitubo 2. Raccordo per rubinetto dell'acqua 3. Tubo flessibile dell'acqua resistente alla pressione

NOTA: Il raccordo dipende dalla forma del rubinetto a cui si intende effettuare il collegamento. Preparare un raccordo idoneo disponibile in commercio.

3. Applicare il raccordo per il tubo flessibile dell'acqua all'entrata (con il simbolo del rubinetto), quindi inserire il giunto di raccordo.
► **Fig.18:** 1. Giunto di raccordo 2. Raccordo per il tubo flessibile dell'acqua 3. Entrata

Collegamento/scollegamento dell'ugello

⚠ATTENZIONE: Quando si intende collegare o scollegare l'ugello, bloccare sempre il grilletto.

Inserire l'estremità dell'ugello nell'alloggiamento sulla pistola a grilletto, quindi ruotarlo nella direzione della freccia, come indicato nella figura. Per scollegare l'ugello, ruotarlo nella direzione inversa mentre lo si preme verso la pistola a grilletto.

- **Fig.19:** 1. Pistola a grilletto 2. Alloggiamento 3. Estremità dell'ugello

Alcuni ugelli opzionali richiedono il giunto di collegamento (accessorio opzionale) per montare la pistola a grilletto. Applicare il giunto di collegamento sulla pistola a grilletto in modo analogo all'ugello.

- **Fig.20:** 1. Ugello 2. Giunto di collegamento 3. Pistola a grilletto

NOTA: Il giunto di collegamento è necessario quando si intende utilizzare gli ugelli inclusi con un altro modello, HW112 o HW121.

Collegamento dell'ugello schiumogeno

⚠ATTENZIONE: Quando si intende collegare o scollegare l'ugello, bloccare sempre il grilletto.

Preparare un detergente prima di utilizzare l'ugello schiumogeno.

1. Rimuovere l'ugello dal serbatoio ruotando l'ugello in senso antiorario. Applicare l'ugello alla pistola a grilletto.

- **Fig.21:** 1. Ugello 2. Pistola a grilletto

2. Versare il detergente nel serbatoio e installare quest'ultimo sull'ugello.

- **Fig.22:** 1. Serbatoio

AVVISO: Utilizzare sempre detergente neutro. Un detergente acido o alcalino potrebbe danneggiare il serbatoio o l'ugello.

FUNZIONAMENTO

⚠AVVERTIMENTO: Non toccare il getto d'acqua e non dirigerlo verso se stessi o altri. Il getto d'acqua è pericoloso e può ferire l'utilizzatore o altri.

⚠AVVERTIMENTO: Quando si spara il getto d'acqua, non tenere mai in mano l'oggetto che si intende pulire, né posizionare le mani e i piedi in prossimità del getto d'acqua.

⚠ATTENZIONE: Fare attenzione al rimbalzo del getto d'acqua e agli oggetti colpiti. Non avvicinare l'ugello a una distanza inferiore a 30 cm.

⚠ATTENZIONE: Non far funzionare l'idropulitrice ad alta pressione senz'acqua per piú di 1 minuto.

⚠ATTENZIONE: Non utilizzare l'idropulitrice ad alta pressione per periodi di tempo prolungati. In caso contrario, si potrebbe causare un surriscaldamento o un incendio. Inoltre, l'utilizzo a lungo termine potrebbe causare malesseri dovuti alle vibrazioni.

⚠ATTENZIONE: Fare attenzione alla direzione del vento. Qualora il detergente penetri negli occhi o in bocca, sciacquare immediatamente con acqua dolce e richiedere assistenza medica, se necessario.

AVVISO: Evitare l'uso dell'idropulitrice ad alta pressione per più di 1 ora. Dopo un utilizzo di 1 ora, fare una pausa della stessa durata.

1. Collegare l'estremità del tubo flessibile ad alta pressione alla pistola a grilletto. Per il modello HW1200, collegare l'altra estremità all'idropulitrice ad alta pressione. Per il modello HW1300, srotolare completamente il tubo flessibile fino all'estremità.

2. Collegare l'idropulitrice ad alta pressione al rubinetto, quindi aprire quest'ultimo.

► Fig.23

AVVISO: Per proteggere il meccanismo dell'idropulitrice ad alta pressione, non utilizzare acqua a temperature superiori a 40°C.

3. Collegare l'idropulitrice ad alta pressione all'alimentazione elettrica e accenderla.

► Fig.24: 1. Interruttore di accensione

4. Per emettere un getto d'acqua, sbloccare il fermo e premere il grilletto. Il getto prosegue fintanto che il grilletto viene tenuto premuto.

► Fig.25: 1. Fermo

ATTENZIONE: Mantenere saldamente la pistola a grilletto. La pistola a grilletto rincula quando si preme il grilletto.

ATTENZIONE: Mantenere sempre la pistola a grilletto per l'impugnatura e per la canna, durante la pulizia. Mentre il motore è in funzione, non toccare parti del corpo dell'idropulitrice ad alta pressione diverse dalla maniglia da trasporto e dall'interruttore di accensione.

AVVISO: Fare attenzione a non tirare con forza la pistola a grilletto durante l'uso. Questo potrebbe far rovesciare l'idropulitrice ad alta pressione.

Dopo l'uso

ATTENZIONE: Dopo l'uso, eseguire sempre la procedura descritta nel presente manuale. La pressione residua nella pistola a grilletto o nell'idropulitrice ad alta pressione può causare lesioni personali o danni alla pompa interna.

1. Dopo l'uso, lasciare l'interruttore di accensione attivato.

2. Chiudere il rubinetto e scollegare il tubo flessibile dell'acqua dall'idropulitrice ad alta pressione.

► Fig.26

3. Premere il grilletto fino a far scaricare l'acqua residua nell'idropulitrice ad alta pressione.

Non far girare il motore per più di 1 minuto.

► Fig.27

4. Spegnerne l'idropulitrice ad alta pressione e scollegarla dall'alimentazione elettrica.

► Fig.28: 1. Interruttore di accensione

5. Scollegare il tubo flessibile ad alta pressione dalla pistola a grilletto.

► Fig.29: 1. Pistola a grilletto 2. Tubo flessibile ad alta pressione

Per il modello HW1200, scollegare il tubo flessibile ad alta pressione anche dall'idropulitrice ad alta pressione.

► Fig.30: 1. Tubo flessibile ad alta pressione

Per il modello HW1300, avvolgere il tubo flessibile e fissarne l'estremità.

► Fig.31: 1. Gancio 2. Maniglia

AVVISO: Per evitare che il tubo flessibile ad alta pressione si danneggi, rimuovere l'acqua residua nel tubo flessibile prima di riportarlo.

MANUTENZIONE E CONSERVAZIONE

ATTENZIONE: Accertarsi sempre che l'utente sia spento e scollegato dall'alimentazione elettrica, prima di tentare di eseguire interventi di ispezione o manutenzione.

AVVISO: Non utilizzare mai benzina, benzene, solventi, alcol o altre sostanze simili. In caso contrario, si potrebbero causare scolorimenti, deformazioni o crepe.

Pulizia dell'ugello

Utilizzare lo spillo di pulizia per rimuovere lo sporco dall'ugello o disostruirlo.

► Fig.32: 1. Spillo di pulizia

AVVISO: Non rimuovere con la forza sporco o detriti. In caso contrario, si potrebbero causare lesioni personali o danni al foro di espulsione, causando angolazioni deviate del getto o prestazioni scadenti.

Pulizia del filtro

Scollegare il raccordo per il tubo flessibile dell'acqua e rimuovere lo sporco e i detriti dall'interno del filtro.

► Fig.33: 1. Raccordo per il tubo flessibile dell'acqua 2. Filtro 3. Anello di guarnizione

Quando si intende utilizzare il kit tubo flessibile di aspirazione (accessorio opzionale), estrarre il filtro dal contenitore del filtro e rimuovere sporco e detriti.

► Fig.34: 1. Filtro 2. Contenitore del filtro

NOTA: Per mantenere prestazioni ottimali, pulire a intervalli regolari il filtro.

Conservazione

Avvolgere il tubo flessibile e il cavo. Inserire la pistola a grilletto e gli ugelli nelle tasche.

HW1200

► Fig.35

HW1300

► Fig.36

⚠ATTENZIONE: Conservare sempre in un'ubicazione al chiuso in cui la temperatura non scenda al di sotto di quella di congelamento. Qualora l'idropulitrice ad alta pressione si congeli e si guasti, contattare il proprio centro di assistenza locale per chiedere la riparazione.

⚠ATTENZIONE: Quando si intende spostare l'idropulitrice ad alta pressione, utilizzare sempre la maniglia da trasporto. Non trasportarla tenendola per il tubo flessibile o il cavo. In caso contrario, il tubo flessibile o il cavo potrebbe venire danneggiato.

⚠ATTENZIONE: Non trasportare l'idropulitrice ad alta pressione con il tubo flessibile e/o il cavo srotolati. Il tubo flessibile o il cavo distesi potrebbero venire danneggiati o restare aggrovigliati intorno ad altri oggetti, risultando in lesioni personali o guasti.

Per preservare la SICUREZZA e l'AFFIDABILITÀ del prodotto, le riparazioni e qualsiasi altro intervento di manutenzione e di regolazione devono essere eseguiti da un centro di assistenza autorizzato Makita, utilizzando sempre ricambi Makita.

RISOLUZIONE DEI PROBLEMI

Prima di richiedere riparazioni, eseguire un'ispezione personale. Qualora si rilevi un problema che non è illustrato nel manuale, non tentare di smontare l'utensile. Rivolgersi, invece, a un centro di assistenza autorizzato Makita, utilizzando sempre pezzi di ricambio Makita per le riparazioni.

Stato di anomalia	Causa probabile (guasto)	Azione correttiva
L'idropulitrice non si avvia.	Elettricità assente	Collegare la spina alla rete elettrica. Inoltre, controllare se l'elettricità venga fornita alla rete elettrica.
	L'interruttore non è attivato.	Attivare l'interruttore.
	Pressione residua nella pompa	Premere il grilletto.
	Cavo o circuito elettrico danneggiati	Contattare un centro di assistenza autorizzato per richiedere le riparazioni.
Getto d'acqua assente o debole	Alimentazione dell'acqua assente	Accertarsi che il rubinetto sia aperto. Se si sta utilizzando il kit tubo flessibile di aspirazione, introdurre l'acqua nel tubo flessibile.
	Alimentazione dell'acqua insufficiente	Aprire il rubinetto.
	Collegamento scadente del tubo flessibile dell'acqua	Controllare il collegamento tra il tubo flessibile dell'acqua, il rubinetto e l'entrata sull'idropulitrice ad alta pressione.
	Tubo flessibile, filtro o ugello ostruiti	Disostruire il tubo flessibile, il filtro o l'ugello.
	L'aria sta ostacolando il flusso dell'acqua.	Disattivare l'interruttore, quindi riattivarlo mentre si tiene premuto il grilletto.
	Ugello danneggiato o usurato	Sostituire l'ugello.
Getto d'acqua instabile.	Guasto della pompa o della valvola	Contattare un centro di assistenza autorizzato per richiedere le riparazioni.
	Ugello ostruito	Disostruire il foro di espulsione dell'ugello utilizzando lo spillo di pulizia.
	Aspirazione dell'acqua insufficiente	Controllare il tubo flessibile dell'acqua a partire dal rubinetto alla ricerca di eventuali perdite od ostruzioni. Aprire il rubinetto.
	L'acqua è troppo calda.	Alimentare acqua più fredda.
Rumore anomalo.	Guasto della valvola	Contattare un centro di assistenza autorizzato per richiedere le riparazioni.
	L'acqua è troppo calda.	Alimentare acqua più fredda.
Perdita d'acqua o di olio.	Dell'aria è intrappolata nella pompa.	Contattare un centro di assistenza autorizzato per richiedere le riparazioni.
	Collegamento scadente	Controllare il collegamento tra il tubo flessibile ad alta pressione, la pistola a grilletto e l'idropulitrice ad alta pressione.
La pompa non funziona anche se si sente il suono del motore.	Guarnizioni usurate	Contattare un centro di assistenza autorizzato per richiedere le riparazioni.
	Cavo di prolunga non adatto.	Utilizzare un cavo di prolunga adatto alla classe del prodotto.

ACCESSORI OPZIONALI

⚠ATTENZIONE: Questi accessori o componenti aggiuntivi sono consigliati per l'uso dell'utensile Makita specificato nel presente manuale. L'impiego di altri accessori o componenti aggiuntivi può costituire un rischio di lesioni alle persone. Utilizzare gli accessori o i componenti aggiuntivi solo per il loro scopo prefissato.

Per ottenere ulteriori dettagli relativamente a questi accessori, rivolgersi a un centro di assistenza Makita.

NOTA: Alcuni articoli nell'elenco potrebbero essere inclusi nell'imballaggio dell'utensile come accessori standard. Tali articoli potrebbero variare da nazione a nazione.

Lancia a spruzzo

► Fig.37

È possibile regolare la larghezza del getto da 0° a 25° ruotando l'estremità anteriore dell'ugello.

⚠ATTENZIONE: Quando si intende regolare la larghezza del getto, non ruotare l'ugello mentre lo si tira verso la pistola a grilletto. L'ugello potrebbe staccarsi dalla pistola a grilletto e causare lesioni personali.

Spazzola di lavaggio (lunga)

► Fig.38

Ugello dotato di spazzola. Utile per lavare via lo sporco mentre si scrosta con la spazzola.

Kit tubo flessibile di aspirazione

► Fig.39

Sostituire il tubo flessibile dell'acqua con questo kit per fornire acqua da un serbatoio o una cisterna.

Spazzola di lavaggio rotante

► Fig.40

Tre spazzole interne ruotano lentamente durante l'espulsione del getto. Adatto per la pulizia di sporco leggero su pareti esterne, carrozzerie di auto, vasche da bagno e così via.

Prolunga per lancia

► Fig.41

Tubi per aumentare la lunghezza della pistola a grilletto. Sono disponibili tre lunghezze diverse, cambiando il numero di tubi utilizzati.

Lancia a spruzzo per sottoscocche

► Fig.42

Lancia a spruzzo molto lunga con ugello angolato. Ottimale per pulire zone difficilmente raggiungibili, ad esempio sottoscocche di auto e grondaie di tetti.

⚠ATTENZIONE: Non utilizzare la lancia a spruzzo per sottoscocche insieme alla prolunga per lancia.

Paraspruzzi

► Fig.43

Riduce gli spruzzi di rimbalzo durante la pulizia di angoli con lo scrostatore.

Giunto girevole

► Fig.44

Evita che il tubo flessibile ad alta pressione si attorcigli.

Giunto di collegamento

► Fig.45

Un giunto a cui collegare un ugello di un altro modello.

NOTA: Il giunto di collegamento è necessario quando si intende utilizzare gli ugelli inclusi con un altro modello, HW112 o HW121.

Kit di pulizia per tubi (10 m/15 m)

► Fig.46

Per pulire e disostruire condutture e pluviali.

⚠ATTENZIONE: Fare particolarmente attenzione al getto d'acqua quando si utilizza il kit di pulizia per tubi. Viene espulso un getto d'acqua estremamente forte all'indietro.

Prolunga per tubo flessibile ad alta pressione (5 m/8 m/10 m)

► Fig.47

Tubo flessibile di prolunga per collegare il corpo dell'idropulitrice ad alta pressione alla pistola a grilletto.

WAARSCHUWING

- Het apparaat mag niet door kinderen worden gebruikt. Kinderen moeten onder toezicht staan om ervoor te zorgen dat ze niet met het apparaat spelen.
- Dit apparaat is niet geschikt voor gebruik door personen (waaronder kinderen) met een verminderd lichamelijk, zintuiglijk of geestelijk vermogen, of gebrek aan kennis en ervaring.
- Dit apparaat is ontworpen voor gebruik met het reinigingsmiddel dat is bijgeleverd of wordt aanbevolen door de fabrikant. Het gebruik van andere reinigingsmiddelen of chemicaliën kan de veiligheid van het apparaat nadelig beïnvloeden.
- Een hogedrukstraal kan gevaarlijk zijn indien deze verkeerd wordt gebruikt. De straal mag niet worden gericht op personen, stroomvoerende elektrische apparaten en dit apparaat zelf.
- Gebruik het apparaat niet binnen bereik van personen, behalve indien zij beschermende kleding dragen.
- Richt de straal niet op uzelf of anderen om kleding of schoeisel te reinigen.
- Explosiegevaar - Spuit geen brandbare vloeistoffen.
- Hogedrukreinigers mogen niet worden gebruikt door kinderen of niet-opgeleide personen.
- Hogedrukslangen, aansluitingen en koppelingen zijn belangrijk voor de veiligheid van het apparaat. Gebruik uitsluitend slangen, aansluitingen en koppelingen die worden aanbevolen door de fabrikant.
- Om de veiligheid van het apparaat te waarborgen, gebruikt u uitsluitend reserveonderdelen van de fabrikant of goedgekeurd door de fabrikant.
- Controleer altijd of het gereedschap is uitgeschakeld en de stekker uit het stopcontact is getrokken alvorens enige werkzaamheden aan het gereedschap uit te voeren.
- Gebruik het apparaat niet wanneer het netsnoer of belangrijke onderdelen van het apparaat beschadigd zijn, bijvoorbeeld een veiligheidsinrichting, hogedrukslang, spuitpistool.

- Ontoereikende verlengsnoeren kunnen gevaarlijk zijn. Als een verlengsnoer wordt gebruikt, dient dit geschikt te zijn voor gebruik buitenshuis, en moet de aansluiting droog en van de grond af gehouden worden. Wij adviseren u in dit geval een kabelhaspel te gebruiken waarbij het stopcontact minstens 60 mm boven de grond blijft.
- Zet altijd de netschakelaar uit wanneer u het apparaat ongebruikt achterlaat.
- Voldoe aan de vereisten van het lokale waterleidingbedrijf.
- Voor Europese landen:
Conform EN12729 (BA) mag het apparaat tevens worden aangesloten op het hoofddrinkwaterleidingnet in het geval een terugstroomkeerklap met aftapinrichting is gemonteerd in de aanvoerslang.

TECHNISCHE GEGEVENS

Model:		HW1200	HW1300
Max. aanvoersnelheid		7,0 l/min	7,5 l/min
Waterstroomsnelheid		5,5 l/min	6,0 l/min
Max. toegestane druk		12 MPa (120 bar)	13 MPa (130 bar)
Bedrijfsdruk	Hogedrukfunctie	10 MPa (100 bar)	11 MPa (110 bar)
	Lagedrukfunctie	-	8 MPa (80 bar)
Max. aanvoerdruk		1 MPa (10 bar)	
Max. aanvoertemperatuur		40°C	
Max. aanzuighoogte		1,0 m	
Afmetingen (l x b x h)		292 mm x 358 mm x 830 mm	
Gewicht		11,0 kg	12,7 kg
Motorbeschermingsklasse		IPX5	

- In verband met ononderbroken research en ontwikkeling behouden wij ons het recht voor bovenstaande technische gegevens te wijzigen zonder voorafgaande kennisgeving.
- De technische gegevens kunnen van land tot land verschillen.
- Gewicht volgens de EPTA-procedure 01/2003

Symbolen

Hieronder staan de symbolen die voor het gereedschap worden gebruikt. Zorg ervoor dat u weet wat ze betekenen alvorens het gereedschap te gebruiken.



Lees de gebruiksaanwijzing.



Wees vooral voorzichtig en let goed op.



DUBBEL GEÏSOLEERD



Alleen voor EU-landen
Geef elektrisch gereedschap niet met het huisvuil mee! Volgens de Europese richtlijn inzake oude elektrische en elektronische apparaten en de toepassing daarvan binnen de nationale wetgeving, dient gebruikt elektrisch gereedschap gescheiden te worden ingezameld en te worden afgevoerd naar een recyclebedrijf dat voldoet aan de geldende milieueisen.



Richt de straal niet op personen, inclusief uzelf, dieren en stroomvoerende elektrische apparaten.



Niet geschikt voor aansluiting op het drinkwaterleidingnet.

Gebruiksdoeleinden

Dit gereedschap is bedoeld voor het verwijderen van hardnekkig vuil met behulp van een waterstraal. Dit gereedschap is bedoeld voor huishoudelijk gebruik.

Voeding

Het gereedschap mag alleen worden aangesloten op een voeding van dezelfde spanning als aangegeven op het typeplaatje, en kan alleen worden gebruikt op enkelfase-wisselstroom. Het gereedschap is dubbel-geïsoleerd en kan derhalve ook op een niet-geaard stopcontact worden aangesloten.

Voor openbare laagspanningsverdeelsystemen van tussen 220 V en 250 V

Schakelbedieningen van elektrische apparaten veroorzaken spanningsschommelingen. De bediening van dit gereedschap onder ongunstige lichtnetomstandigheden kan een nadelige invloed hebben op de bediening van andere apparaten. Het kan worden aangenomen dat er geen negatieve effecten zullen zijn wanneer de netimpedantie gelijk is aan of minder is dan 0,25 ohm. Het stopcontact dat voor dit gereedschap wordt gebruikt, moet beveiligd zijn door een zekering of een stroomonderbreker met trage afschakelkarakteristieken.

Geluidsniveau

De typische, A-gewogen geluidsniveaus zijn gemeten volgens EN60335-2-79:

Model HW1200

Geluidsdrukniveau (L_{pA}): 72 dB (A)

Onzekerheid (K): 3,8 dB (A)

Model HW1300

Geluidsdrukniveau (L_{pA}): 76 dB (A)

Onzekerheid (K): 2,4 dB (A)

Het geluidsniveau kan tijdens gebruik hoger worden dan 80 dB (A).

WAARSCHUWING: Draag gehoorbescherming.

Trilling

De totale trillingswaarde (triaxiale vectorsom) zoals vastgesteld volgens EN60335-2-79:

Model HW1200

Trillingsemmissie (a_h): 4,11 m/s²

Onzekerheid (K): 1,5 m/s²

Model HW1300

Trillingsemmissie (a_h): 4,86 m/s²

Onzekerheid (K): 1,5 m/s²

OPMERKING: De opgegeven trillingsemmissiewaarde is gemeten volgens de standaardtestmethode en kan worden gebruikt om dit gereedschap te vergelijken met andere gereedschappen.

OPMERKING: De opgegeven trillingsemmissiewaarde kan ook worden gebruikt voor een beoordeling vooraf van de blootstelling.

WAARSCHUWING: De trillingsemmissie tijdens het gebruik van het elektrisch gereedschap in de praktijk kan verschillen van de opgegeven trillingsemmissiewaarde afhankelijk van de manier waarop het gereedschap wordt gebruikt.

WAARSCHUWING: Zorg ervoor dat veiligheidsmaatregelen worden getroffen ter bescherming van de operator die zijn gebaseerd op een schatting van de blootstelling onder praktijkomstandigheden (rekening houdend met alle fasen van de bedrijfscyclus, zoals de tijdsduur gedurende welke het gereedschap is uitgeschakeld en stationair draait, naast de ingeschakelde tijdsduur).

EG-verklaring van conformiteit

Alleen voor Europese landen

De EG-verklaring van conformiteit is bijgevoegd als Bijlage A bij deze gebruiksaanwijzing.

VEILIGHEIDSWAARSCHUWINGEN

WAARSCHUWING: Lees alle veiligheids-waarschuwingen en alle instructies. Het niet volgen van de waarschuwingen en instructies kan leiden tot elektrische schokken, brand en/of ernstig letsel.

Bewaar alle waarschuwingen en instructies om in de toekomst te kunnen raadplegen.

Veiligheid op de werkplek

1. Houd iedereen weg uit het werkgebied.
2. Reik niet te ver en sta niet op een onstabiele ondergrond. Zorg altijd voor een goede stand en lichaamsbalans.
3. Plaats de hogedrukreiniger altijd op een horizontale en stabiele ondergrond. Vermijd daarbij plaatsen waar het spuitwater weglooft of zich verzamelt.
4. Alvorens te reinigen, controleert u de omgeving en voorwerpen die moeten worden gereinigd. De hogedrukstraal kan een verflaag of andere oppervlaktebehandeling verwijderen, waaronder giftige chemicaliën. Tref zo nodig preventieve maatregelen.
5. Wees voorzichtig dat u niet over het netsnoer of de slang van de hogedrukreiniger struikelt. Houd tijdens gebruik altijd in de gaten waar het netsnoer en de slang liggen.
6. Tijdens gebruik komt er een kleine hoeveelheid water uit de onderkant van de hogedrukreiniger. Zet de hogedrukreiniger niet neer op een plaats waarvan u niet wilt dat deze nat wordt.

Persoonlijke veiligheid

1. Als bescherming tegen de straal en weggespoten voorwerpen moeten gebruikers geschikte beschermingsmiddelen gebruiken, zoals beschermende kleding, veiligheidsschoenen, veiligheidshandschoenen, een veiligheidshelm met vizier, gehoorbescherming, enz.
2. Gebruik de hogedrukreiniger niet binnen bereik van personen, behalve indien zij beschermende kleding dragen.
3. Om de kans op letsel te verkleinen, dient streng toezicht te worden gehouden wanneer het apparaat in de buurt van kinderen wordt gebruikt.
4. Water dat via de terugstroomkeerlep eruit stroomt, wordt geacht niet drinkbaar te zijn.

Elektrische veiligheid

1. Gebruik de hogedrukreiniger nooit buiten in de regen.
2. Raak de stekker en/of het stopcontact nooit met natte handen aan.
3. Gebruik het apparaat niet wanneer het netsnoer of belangrijke onderdelen van het apparaat beschadigd zijn, bijvoorbeeld een veiligheidsinrichting, hogedruk slang of het spuitpistool.
4. De vorm van de stekker moet overeenkomen met het stopcontact. Probeer nooit om de netsnoerstekker op enige wijze aan te passen. Gebruik geen adapterstekkers voor geaard gereedschap. Met een onaangepaste stekker in een overeenkomstig stopcontact verkleint u de kans op een elektrische schok.
5. Ontoereikende verlengsnoeren kunnen gevaarlijk zijn. Als een verlengsnoer wordt gebruikt, dient dit geschikt te zijn voor gebruik buitenshuis, en moet de aansluiting droog en van de grond af gehouden worden. Wij adviseren u in dit geval een kabelhaspel te gebruiken waarbij het stopcontact minstens 60 mm boven de grond blijft.
6. Let op het volgende wanneer u een verlengsnoer gebruikt:
 - Gebruik uitsluitend verlengsnoeren die bedoeld zijn voor gebruik buitenshuis.
 - Gebruik uitsluitend verlengsnoeren die geschikt zijn voor een elektrisch vermogen dat gelijk is aan of hoger is dan het vermogen van dit apparaat.
 - Gebruik geen beschadigd verlengsnoer.
 - Inspecteer een verlengsnoer vóór gebruik en vervang hem indien beschadigd.
 - Mishandel een verlengsnoer niet en geef er geen ruk aan om hem los te koppelen.
 - Houd snoeren uit de buurt van hitte en scherpe randen.
 - Koppel altijd eerst het verlengsnoer los van het stopcontact en koppel daarna het apparaat los van het verlengsnoer.

7. De elektrische-voedingsaansluiting moet zijn aangelegd door een gekwalificeerde electricien conform IEC 60364-1. Wij adviseren dat in de elektrische voeding naar dit apparaat een reststroombeveiliging is opgenomen die de voeding onderbreekt wanneer de aardlekstroom groter is dan 30 mA gedurende 30 ms, of een apparaat dat het massacircuit test.

Gebruik en verzorging van het elektrisch gereedschap

1. Lees alle instructies voordat u het apparaat gebruikt.
2. Weet hoe u de hogedrukreiniger moet stoppen en snel de druk kunt aflaten. Zorg dat u organdig vertrouwd bent met de bedieningsorganen.
3. Een hogedrukstraal kan gevaarlijk zijn indien deze verkeerd wordt gebruikt. De straal mag niet worden gericht op personen, stroomvoerende elektrische apparaten en dit apparaat zelf.
4. Dit apparaat is niet geschikt voor gebruik door personen (waaronder kinderen) met een verminderd lichamelijk, zintuiglijk of geestelijk vermogen, of gebrek aan kennis en ervaring. Kinderen dienen onder toezicht te staan om ervoor te zorgen dat zij niet met het apparaat spelen.
6. Spuit geen brandbare en/of giftige vloeistoffen. Dit kan leiden tot een explosie, vergiftiging of schade aan het apparaat.
7. Richt de straal niet op uzelf of anderen om kleding of schoeisel te reinigen.
8. De hogedruk slang, aansluitingen en koppelingen zijn belangrijk voor de veiligheid van het apparaat. Gebruik uitsluitend slangen, aansluitingen en koppelingen die worden aanbevolen door de fabrikant.
9. Volg de instructies wanneer u accessoires verwisselt.
10. Houd de handgrepen droog, schoon en vrij van olie en vet.
11. Blijf opletten - Kijk waar u mee bezig bent.
12. Gebruik het gereedschap niet wanneer u vermoeid bent of onder invloed van alcohol of drugs.
13. Schakel de hogedrukreiniger niet in zonder aanvoer van water gedurende langer dan één minuut. Hierdoor zal de motor beschadigd worden waardoor een storing optreedt.
14. Schakel het apparaat altijd uit en sluit de wateraanvoer wanneer u de hogedrukreiniger onbeheerd achterlaat.
15. Wees bedacht op de terugslag. Het spuitpistool slaat terug wanneer de hogedrukstraal uit de spuitmond komt. Houd het spuitpistool stevig vast om onverwacht letsel te voorkomen.
16. Controleer op beschadigde of versleten onderdelen vóór gebruik. Verzekert u er tevens van dat de slang correct is aangesloten en tijdens gebruik niet lekt. Het gebruik van een gebrekkelijk werkend apparaat, kan leiden tot ongevallen.

17. Dit apparaat is ontworpen voor gebruik met het reinigingsmiddel dat is bijgeleverd of wordt aanbevolen door de fabrikant. Het gebruik van andere reinigingsmiddelen of chemicaliën kan de veiligheid van het apparaat nadelig beïnvloeden.
18. Trek niet aan het netsnoer en/of de slang om de hogedrukreiniger te verplaatsen. Hierdoor zal het netsnoer, de slang en aangesloten onderdelen worden beschadigd, en zal kortsluiting of een defect ontstaan.
19. Plaats geen zware voorwerpen op de slang en laat er geen voertuigen over rijden.
20. Laat altijd de restdruk in het spuitpistool af voordat u de slang loskoppelt.
21. Wanneer u de slang aansluit op het waterleidingnet, houdt u zich aan de instructies van het waterleidingbedrijf.

Onderhoud en reparatie

1. Volg de onderhoudsinstructies die in deze gebruiksaanwijzing worden gegeven.
2. Om de veiligheid van het apparaat te waarborgen, gebruikt u uitsluitend reserveonderdelen van de fabrikant of goedgekeurd door de fabrikant.
3. Laat uw hogedrukreiniger repareren door een vakbekwame reparateur met gebruikmaking van uitsluitend identieke vervangingsonderdelen. Zo bent u ervan verzekerd dat de veiligheid van de hogedrukreiniger behouden blijft.
4. In geval van een defect of storing van de hogedrukreiniger, schakelt u deze onmiddellijk uit en trekt u de stekker uit het stopcontact. Neem contact op met u uw plaatselijke dealer of servicecentrum.

BEWAAR DEZE VOORSCHRIFTEN.

WAARSCHUWING: Laat u NIET misleiden door een vals gevoel van comfort en bekendheid met het gereedschap (na veelvuldig gebruik) en neem alle veiligheidsvoorschriften van het betreffende gereedschap altijd strikt in acht.

VERKEERD GEBRUIK of het niet naleven van de veiligheidsvoorschriften in deze gebruiksaanwijzing kan leiden tot ernstige verwondingen.

BESCHRIJVING VAN DE FUNCTIES

LET OP: Controleer altijd of het gereedschap is uitgeschakeld en de stekker ervan uit het stopcontact is verwijderd alvorens de functies op het gereedschap te controleren of af te stellen.

Aan-uitschakelaar

KENNISGEVING: Draai de aan-uitschakelaar niet met grote kracht. Hierdoor kan de schakelaar defect raken.

Voor model HW1200

► Fig.1: 1. Uit-stand 2. Aan-stand

Draai de aan-uitschakelaar rechtsom om de hogedrukreiniger in te schakelen.

Voor model HW1300

Draai de aan-uitschakelaar rechtsom of linksom afhankelijk van het gewenste drukniveau. Draai de aan-uitschakelaar rechtsom voor de hogedrukfunctie en linksom voor de lagedrukfunctie.

► Fig.2: 1. Lagedrukfunctie 2. Uit-stand 3. Hogedrukfunctie

Spuitlansfuncties

Vario-Power-spuitlans

► Fig.3

De druk van de straal kan worden veranderd door de kop van de spuitlans te draaien.

LET OP: Wanneer u de druk van de straal verandert door de kop van de spuitlans te draaien, mag u de spuitlans niet tegelijkertijd in de richting van het spuitpistool trekken. Hierdoor kan de spuitlans los raken van het spuitpistool en persoonlijk letsel veroorzaken.

Vuilfrees

► Fig.4

Een roterende straal wordt gespoten. Geschikt voor het verwijderen van hardnekkig vuil.

KENNISGEVING: Gebruik de vuilfrees niet op kwetsbare oppervlakken zoals ruiten en de carrosserie van voertuigen.

Schuimsproeier

► Fig.5

Reinigingsmiddel kan als een schuim worden gespoten.

Bediening van de trekker

Knijp de trekker in om een waterstraal te spuiten. De straal wordt continu gespoten zo lang de trekker ingeknepen wordt gehouden.

De trekker kan worden vergrendeld voor veilig hanteren van het spuitpistool. Om de trekker te vergrendelen, trekt u de stopper eruit en haakt u deze in de groef van het handvat.

► Fig.6: 1. Stopper 2. Groef

KENNISGEVING: Om een mechanische fout in de drukschakelaar te voorkomen, houdt u altijd een pauze van twee seconden alvorens de trekker opnieuw in te knijpen.

Veiligheidsventiel

Dit apparaat is uitgerust met een veiligheidsventiel die ongewenste overdruk voorkomt. Wanneer de trekker wordt losgelaten, gaat het ventiel open en circuleert het water door de inlaat van de pomp.

▲LET OP: Probeer niet het veiligheidsventiel te manipuleren, en verander de instelling ervan niet.

Slanghaspel

Alleen voor model HW1300

Om de slang af te rollen, maakt u eerst het uiteinde van de slang los uit de haak. Klap de slinger uit en draai hem rechtsom. Rol de slang altijd helemaal tot aan het einde af wanneer u de hogedrukreiniger gaat gebruiken.

► **Fig.7:** 1. Slanghaspel 2. Slinger 3. Uiteinde van de slang

Wanneer u de slang oprolt, draait u de slinger linksom en zet u het uiteinde van de slang vast.

► **Fig.8:** 1. Haak 2. Slinger

Water aanvoeren vanuit een tank of reservoir

Optioneel accessoire

U kunt water aanvoeren vanuit een tank of reservoir in plaats van vanuit een kraan.

Vervang de waterslangaansluiting door de zuigslangset (optioneel accessoire). Om de zuigslangset aan te sluiten, koppelt u het filterhuis los van de slang en bevestigt u het aan de inlaat van de hogedrukreiniger. Sluit vervolgens de slang aan op het filterhuis.

► **Fig.9:** 1. Tank/reservoir 2. Zuigslangset 3. Waterslangaansluiting 4. Slang 5. Filterhuis 6. Inlaat van de hogedrukreiniger

KENNISGEVING: Gebruik altijd een zuigslangset van Makita.

KENNISGEVING: Zorg ervoor dat de inlaat van de hogedrukreiniger 1,0 m (3,28 ft) of minder lager staat dan het wateroppervlak in de tank of het reservoir. Anders zal de hogedrukreiniger niet in staat zijn het water aan te zuigen naar de pomp.

Om water in de slang te brengen, verwijdert u de spuitlans vanaf het spuitpistool en schakelt u de hogedrukreiniger in terwijl u de trekker ingeknepen houdt. Nadat een continue stroom water uit het spuitpistool komt, laat u de trekker los en brengt u de gewenste spuitlans aan.

► **Fig.10:** 1. Spuitpistool

OPMERKING: Als er geen water uit stroomt, koppelt u de zuigslangset los en dompelt u deze helemaal onder water. Sluit hem daarna weer aan op de hogedrukreiniger.

► **Fig.11:** 1. Zuigslangset

MONTAGE

▲LET OP: Zorg altijd dat het gereedschap is uitgeschakeld en dat zijn stekker uit het stopcontact is verwijderd alvorens enig werk aan het gereedschap uit te voeren.

De draaghandgreep monteren

Alleen voor model HW1200

1. Bevestig de voorste en achterste helften van de handgreep aan elkaar door ze uit te lijnen met de schroefgaten in de hogedrukreiniger.

► **Fig.12:** 1. Voorste helft van de handgreep
2. Achterste helft van de handgreep
3. Hogedrukreiniger

2. Bevestig de draaghandgreep met de schroeven (7 stuks).

► **Fig.13**

De hogedrukslang aansluiten

Alleen voor model HW1200

Sluit de hogedrukslang aan op de uitlaat (met de pistool-markering). Draai de moer van de hogedrukslang rechtsom om hem op de schroefdraad van de uitlaat te draaien.

► **Fig.14:** 1. Uitlaat 2. Moer

▲LET OP: Verzeker u ervan dat de hogedrukslang stevig aangesloten is. Bij een losse aansluiting kan de hogedrukslang eraf geperst worden waardoor persoonlijk letsel kan ontstaan.

Het spuitpistool bevestigen

Sluit de hogedrukslang aan op de inlaat van het spuitpistool. Draai de moer van de hogedrukslang rechtsom om hem op de schroefdraad van de inlaat te draaien.

► **Fig.15:** 1. Inlaat 2. Moer

▲LET OP: Verzeker u ervan dat de hogedrukslang stevig aangesloten is. Bij een losse aansluiting kan de hogedrukslang eraf geperst worden waardoor persoonlijk letsel kan ontstaan.

Aansluiten op een kraan

▲LET OP: Gebruik altijd een drukbestendige waterslang met een diameter van 13 mm of meer en sluit deze met behulp van geschikte bevestigingen aan op de kraan. Als u dit niet doet, kan de waterslang en/of de bevestigingen kapot gaan en tot persoonlijk letsel leiden.

KENNISGEVING: Gebruik een zo kort mogelijke drukbestendige waterslang. De stroomsnelheid van het aanvoerwater moet hoger zijn dan de maximale aanvoersnelheid van de pomp.

KENNISGEVING: Als u aansluit op het drinkwaterleidingnet, gebruikt u een terugstroomklep die voldoet aan de regelgeving in uw land.

Bereid een drukbestendige waterslang voor. Bevestig het koppelstuk aan een uiteinde en sluit het andere uiteinde aan op de kraan zoals hieronder beschreven.

1. Verwijder de moer vanaf het koppelstuk en steek de drukbestendige waterslang door de moer. Steek het uiteinde van de slang in het koppelstuk en draai vervolgens de moer erop.

► **Fig.16:** 1. Drukbestendige waterslang 2. Moer van koppelstuk 3. Koppelstuk

OPMERKING: Als u de drukbestendige waterslang aansluit op de kraan met behulp van een koppelstuk, bevestigt u een koppelstuk aan beide uiteinden van de slang.

2. Sluit de drukbestendige waterslang aan op de kraan. Gebruik een geschikte bevestiging, zoals een slangklem of kraanaansluiting, om het uiteinde van de slang te bevestigen aan de kraan.

► **Fig.17:** 1. Slangklem 2. Kraanaansluiting
3. Drukbestendige waterslang

OPMERKING: De bevestigingsmethode is afhankelijk van de vorm van de kraan waaraan de slang wordt bevestigd. Bereid een geschikte, in de winkel verkrijgbare, bevestiging voor.

3. Bevestig de waterslangaansluiting op de inlaat (met de kraan-markering) en sluit vervolgens het koppelstuk erop aan.

► **Fig.18:** 1. Koppelstuk 2. Waterslangaansluiting
3. Inlaat

De spuitlans aanbrengen/ verwijderen

⚠ LET OP: Vergrendel altijd de trekker wanneer u de spuitlans aanbrengt/verwijdert.

Steek het uiteinde van de spuitlans in de opening van het spuitpistool en draai hem in de richting van de pijl aangegeven in de afbeelding. Om de spuitlans eraf te halen, drukt u hem in de richting van het spuitpistool en draait u hem in de tegenovergestelde richting.

► **Fig.19:** 1. Spuitpistool 2. Opening 3. Uiteinde van spuitlans

Voor sommige optionele spuitlansen is een koppelingadapter (optioneel accessoire) nodig voor bevestiging aan het spuitpistool. Bevestig de koppelingadapter op dezelfde manier aan het spuitpistool als de spuitlans.

► **Fig.20:** 1. Spuitlans 2. Koppelingadapter
3. Spuitpistool

OPMERKING: De koppelingadapter is nodig bij gebruik van de spuitlansen die worden geleverd bij een ander model, HW112 of HW121.

De schuimsproeier aanbrengen

⚠ LET OP: Vergrendel altijd de trekker wanneer u de spuitlans aanbrengt/verwijdert.

Bereid het reinigingsmiddel voor voordat u de schuimsproeier gebruikt.

1. Verwijder de schuimsproeier vanaf de tank door de schuimsproeier linksom te draaien. Bevestig de schuimsproeier aan het spuitpistool.

► **Fig.21:** 1. Schuimsproeier 2. Spuitpistool

2. Giet het reinigingsmiddel in de tank en bevestig deze aan de schuimsproeier.

► **Fig.22:** 1. Tank

KENNISGEVING: Gebruik altijd een neutraal reinigingsmiddel. Een zuur of basisch reinigingsmiddel kan de tank of schuimsproeier beschadigen.

BEDIENING

⚠ WAARSCHUWING: Raak de hogedrukstraal niet aan en richt deze niet op uzelf of anderen. De hogedrukstraal is gevaarlijk en kan u of anderen pijn doen.

⚠ WAARSCHUWING: Houd nooit het voorwerp dat u wilt reinigen vast in uw handen terwijl u de hogedrukstraal erop richt, en houd uw handen en voeten uit de buurt van de hogedrukstraal.

⚠ LET OP: Wees bedacht op de terugslag van de hogedrukstraal en op weggespoten voorwerpen. Houd de spuitlans op een afstand van minstens 30 cm.

⚠ LET OP: Schakel de hogedrukreiniger niet in zonder aanvoer van water gedurende langer dan 1 minuut.

⚠ LET OP: Gebruik de hogedrukreiniger niet gedurende een lange tijd achter elkaar. Hierdoor kan oververhitting of brand ontstaan. Bovendien kan langdurig gebruik leiden tot letsel door trillingen.

⚠ LET OP: Let op de windrichting. Als het reinigingsmiddel in uw ogen of mond terecht komt, spoelt u deze onmiddellijk uit met schoon water en raadpleegt u zo nodig een arts.

KENNISGEVING: Vermijd gebruik van de hogedrukreiniger gedurende langer dan 1 uur. Na gebruik gedurende 1 uur, wacht u dezelfde tijdsduur voordat u het apparaat weer gebruikt.

1. Sluit het uiteinde van de hogedrukstraal aan op het spuitpistool. Voor model HW1200, sluit het andere uiteinde aan op de hogedrukreiniger. Voor model HW1300, rol de slang helemaal af.

2. Sluit de hogedrukreiniger aan op de kraan en draai vervolgens de kraan open.

► **Fig.23**

KENNISGEVING: Om het mechanisme van de hogedrukreiniger te beschermen, mag u geen aanvoerwater warmer dan 40 °C gebruiken.

3. Sluit de hogedrukreiniger aan op het elektriciteitsnet en schakel hem in.

► **Fig.24:** 1. Aan-uitschakelaar

4. Om een hogedrukstraal te spuiten, ontgrendelt u de stopper en knijpt u de trekker in. De straal wordt continu gespoten zo lang de trekker ingeknepen wordt gehouden.

► **Fig.25:** 1. Stopper

⚠ALLET OP: Houd het spuitpistool stevig vast. Het spuitpistool krijgt een terugslag zodra u de trekker inknipt.

⚠ALLET OP: Houd tijdens het reinigen het spuitpistool altijd vast aan de handgreep en aan de loop. Terwijl de motor draait, mag u geen enkel onderdeel van de hogedrukreiniger aanraken, anders dan de draaghandgreep en de aan-uitschakelaar.

KENNISGEVING: Wees voorzichtig dat u tijdens gebruik niet met kracht aan het spuitpistool trekt. Hierdoor kan de hogedrukreiniger omvallen.

Na gebruik

⚠ALLET OP: Voer na gebruik altijd de procedure uit die in deze gebruiksaanwijzing wordt beschreven. Restdruk in het spuitpistool of de hogedrukreiniger kan leiden tot persoonlijk letsel of beschadiging van de pomp.

1. Laat na gebruik de aan-uitschakelaar aan staan.
2. Draai de kraan dicht en koppel de aanvoerwaterslang los van de hogedrukreiniger.
▶ Fig.26
3. Knijp de trekker in tot het achtergebleven water in de hogedrukreiniger eruit is gespoten.
Laat de motor niet langer dan 1 minuut draaien.
▶ Fig.27
4. Schakel de hogedrukreiniger uit en koppel hem los van het elektriciteitsnet.
▶ Fig.28: 1. Aan-uitschakelaar
5. Koppel de hogedrukslang los van het spuitpistool.
▶ Fig.29: 1. Spuitpistool 2. Hogedrukslang

Voor model HW1200, koppel tevens de hogedrukslang los van de hogedrukreiniger.
▶ Fig.30: 1. Hogedrukslang

Voor model HW1300, rol de hogedrukslang op en bevestig het uiteinde van de slang aan de haak.
▶ Fig.31: 1. Haak 2. Slinger

KENNISGEVING: Om te voorkomen dat de hogedrukslang beschadigd raakt, laat u het achtergebleven water uit de slang lopen voordat u deze opbergt.

ONDERHOUD EN OPSLAG

⚠ALLET OP: Zorg altijd dat het gereedschap is uitgeschakeld en zijn stekker uit het stopcontact is verwijderd alvorens te beginnen met inspectie of onderhoud.

KENNISGEVING: Gebruik nooit benzine, wasser, thinner, alcohol en dergelijke. Hierdoor kunnen verkleuring, vervormingen en barsten worden veroorzaakt.

De spuitlans reinigen

Gebruik de reinigingsprikker om vuil te verwijderen of een verstopping op te heffen in de spuitmond van de spuitlans.

▶ Fig.32: 1. Reinigingsprikker

KENNISGEVING: Verwijder vuil of afval niet met grote kracht. Hierdoor kan persoonlijk letsel ontstaan of de spuitmond worden beschadigd waardoor de hogedrukstraal onder een afwijkende hoek wordt gespoten of de prestaties verslechteren.

Het filter reinigen

Koppel de waterslangaansluiting los en verwijder vuil en afval vanuit de binnenkant van het filter.

▶ Fig.33: 1. Waterslangaansluiting 2. Filter
3. Afdichtingsring

Bij gebruik van de zuigslangset (optioneel accessoire), haalt u het filter uit het filterhuis en verwijdert u vuil en afval.

▶ Fig.34: 1. Filter 2. Filterhuis

OPMERKING: Om optimale prestaties te behouden, reinigt u het filter regelmatig.

Opslag

Rol de slang op en wikkel het netsnoer op. Plaats het spuitpistool en de spuitlansen in hun houders.

HW1200

▶ Fig.35

HW1300

▶ Fig.36

⚠ALLET OP: Bewaar het apparaat altijd binnenshuis waar de temperatuur niet onder het nulpunt komt. Als de hogedrukreiniger bevriest en een storing vertoont, neemt u contact op met uw plaatselijke servicecentrum voor reparatie.

⚠ALLET OP: Gebruik altijd de draaghandgreep wanneer u de hogedrukreiniger verplaatst. Draag hem niet aan de slang of het netsnoer. De slang of het netsnoer kunnen worden beschadigd.

⚠ALLET OP: Draag de hogedrukreiniger niet terwijl de slang is afgerold en/of het netsnoer is afgewikkeld. De afgerolde slang of het afgewikkelde netsnoer kan worden beschadigd of verstrikt raken met andere voorwerpen, waardoor persoonlijk letsel of een defect kan ontstaan.

Om de VEILIGHEID en BETROUWBAARHEID van het gereedschap te handhaven, dienen alle reparaties, onderhoud of afstellingen te worden uitgevoerd bij een erkend Makita-servicecentrum of de Makita-fabriek, en altijd met gebruik van Makita-ervangingsonderdelen.

PROBLEMEN OPLOSSEN

Alvorens u verzoekt om reparatie, kunt u zelf als volgt het probleem opsporen en oplossen. Als u met een probleem kampt dat in deze handleiding niet wordt beschreven, probeer dan niet het gereedschap te demonteren. Laat reparaties over aan een erkend Makita-servicecentrum, uitsluitend met gebruik van originele Makita-ervangingsonderdelen.

Probleemomschrijving	Waarschijnlijke oorzaak (storing)	Oplossing
Hogedrukreiniger start niet.	Geen elektriciteit	Steek de stekker in het stopcontact. Controleer tevens of er stroom staat op het stopcontact.
	Schakelaar staat niet aan.	Zet de schakelaar in de aan-stand.
	Restdruk aanwezig in de pomp	Knijp de trekker in.
	Netsnoer of elektrische circuit is beschadigd.	Neem contact op met een erkend servicecentrum voor reparatie.
Geen/zwakke waterstraal	Geen aanvoerwater.	Zorg ervoor dat de kraan open staat. Bij gebruik van de zuigslangset, zorgt u ervoor dat de slang volstaat met water.
	Slecht aanvoer van water	Draai de kraan open.
	Slechte waterslangaansluiting	Controleer de aansluiting van de waterslang op de kraan, en van de waterslang op de inlaat van de hogedrukreiniger.
	Verstopt(e) slang, filter of spuitmond	Ontstop de slang, het filter of de spuitmond.
	Lucht blokkeert de stroming van water.	Zet de schakelaar in de uit-stand en zet hem daarna weer in de aan-stand terwijl u de trekker ingeknepen houdt.
	Beschadigde of versleten spuitlans	Vervang de spuitlans.
Instabiele hogedrukstraal.	Pomp of ventiel defect	Neem contact op met een erkend servicecentrum voor reparatie.
	Verstopte spuitmond	Ontstop de spuitmond van de spuitlans met behulp van de reinigingsprikker.
	Slechte aanzuiging van water	Controleer de waterslang, beginnende bij de kraan, op lekkage of verstoppingen. Draai de kraan open.
	Water is te heet.	Voer kouder water aan.
Abnormaal geluid.	Defect ventiel	Neem contact op met een erkend servicecentrum voor reparatie.
	Water is te heet.	Voer kouder water aan.
Water-/olielekkage.	Luchtbellen in de pomp.	Neem contact op met een erkend servicecentrum voor reparatie.
	Slechte aansluiting.	Controleer de aansluiting van de hogedrukslang op het spuitpistool, en van de hogedrukslang op de hogedrukreiniger.
Pomp draait niet ondanks dat motor-geluid hoorbaar is.	Versleten afdichtingen	Neem contact op met een erkend servicecentrum voor reparatie.
	Ongeschikt verlengsnoer.	Gebruik een verlengsnoer dat geschikt is voor de voedingsvereisten van het apparaat.

OPTIONELE ACCESSOIRES

⚠ LET OP: Deze accessoires of hulpstukken worden aanbevolen voor gebruik met het Makita gereedschap dat in deze gebruiksaanwijzing is beschreven. Bij gebruik van andere accessoires of hulpstukken bestaat het gevaar van persoonlijke letsel. Gebruik de accessoires of hulpstukken uitsluitend voor hun bestemde doel.

Wenst u meer bijzonderheden over deze accessoires, neem dan contact op met het plaatselijke Makita-servicecentrum.

OPMERKING: Sommige items op de lijst kunnen zijn inbegrepen in de doos van het gereedschap als standaard toebehoren. Deze kunnen van land tot land verschillen.

Spuitlans

► Fig.37

De breedte van de hogedrukstraal kan worden afgesteld tussen 0° en 25° door de kop van de spuitlans te draaien.

⚠ LET OP: Draai, bij het afstellen van de breedte van de hogedrukstraal, niet de hele spuitlans terwijl u hem tegelijkertijd in de richting van het spuitpistool trekt. Hierdoor kan de spuitlans los raken van het spuitpistool en persoonlijk letsel veroorzaken.

Wasborstel (lang)

► Fig.38

Een lans uitgerust met een borstel. Dit is handig bij het gelijktijdig schrobben met de borstel en het afspoelen van vuil.

Zuigslangset

► Fig.39

Vervang de waterslang door deze set om water aan te voeren vanuit een tank of reservoir.

Roterende wasborstel

► Fig.40

Tijdens het spuiten van de hogedrukstraal roteren de drie borstels langzaam binnenin. Geschikt voor het reinigen van licht vuil op een buitenmuur, carrosserie van een voertuig, badkuip, enz.

Verlengstuk voor de spuitlans

► Fig.41

Pijpstukken voor het verlengen van het spuitpistool. Drie verschillende lengten zijn mogelijk door het aantal gebruikte pijpstukken te variëren.

Spuitlans voor een voertuigbodem

► Fig.42

Een extra lange spuitlans met een haakse spuitmond. Handig bij het reinigen van moeilijk bereikbare plaatsen, zoals een voertuigbodem of dakgoot.

⚠ LET OP: Gebruik de spuitlans voor een voertuigbodem niet tezamen met het verlengstuk voor de spuitlans.

Spatbescherming

► Fig.43

Vermindert het opspreiden bij het reinigen van hoeken met de vuilfrees.

Draaikoppeling

► Fig.44

Vorkomt dat de hogedrukslang ineens gedraaid raakt.

Koppelingadapter

► Fig.45

Een adapter die nodig is om een spuitlans van een ander model te kunnen gebruiken.

OPMERKING: De koppelingadapter is nodig bij gebruik van de spuitlansen die worden geleverd bij een ander model, HW112 of HW121.

Pijpreinigingsset (10 m/15 m)

► Fig.46

Voor het reinigen en ontstoppen van afvoerpijpen en standpijpen.

⚠ LET OP: Let met name goed op de hogedrukstraal bij gebruik van de pijpreinigingsset. De waterstraal wordt met zeer hoge druk achterwaarts gespoten.

Hogedrukverlengslang (5 m/8 m/10 m)

► Fig.47

Verlengslang voor het aansluiten van het spuitpistool op de hogedrukreiniger.

ADVERTENCIA

- Las máquinas no deberán ser utilizadas por niños. Los niños deberán ser supervisados para asegurarse de que no juegan con la máquina.
- Esta máquina no ha sido prevista para ser utilizada por personas (incluidos niños) con capacidades físicas, sensoriales o mentales reducidas, o sin experiencia y conocimiento.
- Esta máquina ha sido diseñada para ser utilizada con el agente de limpieza suministrado o recomendado por el fabricante. La utilización de otros agentes de limpieza o productos químicos podrá afectar adversamente a la seguridad de la máquina.
- Los chorros de alta presión pueden ser peligrosos si son sometidos a un mal uso. El chorro no deberá ser dirigido hacia personas, equipos eléctricos conectados a la corriente o hacia la propia máquina.
- No utilice la máquina dentro del alcance de personas a menos que estas lleven puestas ropas de protección.
- No dirija el chorro contra usted mismo u otras personas con objeto de limpiar las ropas o el calzado.
- Riesgo de explosión - No rocíe líquidos inflamables.
- Los limpiadores de alta presión no deberán ser utilizados por niños o personal no cualificado.
- Las mangueras de alta presión, los aditamentos y acopladores son importantes para la seguridad de la máquina. Utilice solamente mangueras, aditamentos y acopladores recomendados por el fabricante.
- Para garantizar la seguridad de la máquina, utilice solamente piezas de repuesto originales del fabricante u homologadas por el fabricante.
- Asegúrese siempre de que la herramienta está apagada y desenchufada antes de realizar cualquier trabajo en la herramienta.
- No utilice la máquina si el cable de alimentación o partes importantes de la máquina están dañados, por ejemplo, dispositivos de seguridad, mangueras de alta presión, pistola de gatillo.

- Los cables de extensión inadecuados pueden ser peligrosos. Si se utiliza un cable de extensión, este deberá ser adecuado para uso en exteriores, y la conexión deberá mantenerse seca y por encima del suelo. Se recomienda que esto se consiga mediante un enrollador de cable que mantenga el conector a al menos 60 mm por encima del suelo.
- Desactive siempre el interruptor de desconexión de la red eléctrica cuando deje la máquina desatendida.
- Cumpla con los requisitos de la compañía de suministro de agua local.
- Para países europeos:
De acuerdo con la normativa EN12729 (BA), el aparato también se puede conectar a la red de distribución de agua potable si a la manguera de suministro se conecta una válvula bloqueadora de reflujo con facilidad de drenaje.

ESPECIFICACIONES

Modelo:		HW1200	HW1300
Volumen de alimentación máximo		7,0 l/min	7,5 l/min
Caudal de agua		5,5 l/min	6,0 l/min
Presión máxima permisible		12 MPa (120 bar)	13 MPa (130 bar)
Presión de trabajo	Modo alto	10 MPa (100 bar)	11 MPa (110 bar)
	Modo bajo	-	8 MPa (80 bar)
Presión de alimentación máxima		1 MPa (10 bar)	
Temperatura de alimentación máxima		40°C	
Altura de succión máxima		1,0 m	
Dimensiones (La x An x Al)		292 mm x 358 mm x 830 mm	
Peso		11,0 kg	12,7 kg
Protección del motor		IPX5	

- Debido a nuestro continuado programa de investigación y desarrollo, las especificaciones aquí dadas están sujetas a cambios sin previo aviso.
- Las especificaciones pueden ser diferentes de país a país.
- Peso de acuerdo con el procedimiento EPTA 01/2003

Símbolos

A continuación se muestran los símbolos utilizados con este equipo. Asegúrese de que entiende su significado antes de usarlo.



Lea el manual de instrucciones.



Preste cuidado y atención especiales.



DOBLE AISLAMIENTO



Solamente para países de la UE
¡No deseche los aparatos eléctricos junto con los residuos domésticos! De conformidad con la Directiva Europea, sobre residuos de aparatos eléctricos y electrónicos y su aplicación de acuerdo con la legislación nacional, los aparatos eléctricos cuya vida útil haya llegado a su fin deberán ser recogidos por separado y trasladados a una planta de reciclaje que cumpla con las exigencias ecológicas.



No dirija el chorro hacia personas, incluyendo a usted, animales, y equipos eléctricos conectados a la corriente.



No apropiado para conexión a la red de suministro de agua potable.

Uso previsto

Esta herramienta ha sido prevista para limpiar suciedad resistente utilizando un chorro de agua. Esta herramienta ha sido prevista para ser utilizada en el hogar.

Alimentación

La herramienta deberá ser conectada solamente a una fuente de alimentación de la misma tensión que la indicada en la placa de características, y solamente puede ser utilizada con alimentación de CA monofásica. La herramienta tiene doble aislamiento y puede, por lo tanto, utilizarse también en tomas de corriente sin conductor de tierra.

Para sistemas de distribución públicos de baja tensión de entre 220 V y 250 V

Las operaciones de encendido y apagado de los aparatos eléctricos ocasionan fluctuaciones de tensión. La operación de este dispositivo en condiciones desfavorables de corriente puede afectar adversamente a la operación de otros equipos. Con una impedancia eléctrica igual o inferior a 0,25 ohmios, se puede asumir que no surgirán efectos negativos. La toma de corriente utilizada para este dispositivo deberá estar protegida con un fusible o disyuntor de protección que tenga unas características de desconexión lenta.

Ruido

El nivel de ruido A-ponderado típico determinado de acuerdo con la norma EN60335-2-79:

Modelo HW1200

Nivel de presión sonora (L_{pA}) : 72 dB (A)

Error (K) : 3,8 dB (A)

Modelo HW1300

Nivel de presión sonora (L_{pA}) : 76 dB (A)

Error (K) : 2,4 dB (A)

El nivel de ruido en situación de trabajo puede exceder 80 dB (A).

ADVERTENCIA: Póngase protectores para oídos.

Vibración

El valor total de la vibración (suma de vectores triaxiales) determinado de acuerdo con la norma EN60335-2-79:

Modelo HW1200

Emisión de vibración (a_n) : 4,11 m/s²

Error (K) : 1,5 m/s²

Modelo HW1300

Emisión de vibración (a_n) : 4,86 m/s²

Error (K) : 1,5 m/s²

NOTA: El valor de emisión de vibración declarado ha sido medido de acuerdo con el método de prueba estándar y se puede utilizar para comparar una herramienta con otra.

NOTA: El valor de emisión de vibración declarado también se puede utilizar en una valoración preliminar de exposición.

ADVERTENCIA: La emisión de vibración durante la utilización real de la herramienta eléctrica puede variar del valor de emisión declarado dependiendo de las formas en las que la herramienta sea utilizada.

ADVERTENCIA: Asegúrese de identificar medidas de seguridad para proteger al operario que estén basadas en una estimación de la exposición en las condiciones reales de utilización (teniendo en cuenta todas las partes del ciclo operativo como las veces cuando la herramienta está apagada y cuando está funcionando en vacío además del tiempo de gatillo).

Declaración CE de conformidad

Para países europeos solamente

La declaración CE de conformidad está incluida como Anexo A de esta manual de instrucciones.

ADVERTENCIAS DE SEGURIDAD

ADVERTENCIA: Lea todas las advertencias de seguridad y todas las instrucciones. Si no sigue las advertencias e instrucciones podrá resultar en una descarga eléctrica, un incendio y/o heridas graves.

Guarde todas las advertencias e instrucciones para futuras referencias.

Seguridad en el área de trabajo

1. Mantenga el área de operación despejada de todas las personas.
2. No trabaje donde no alcance o se ponga sobre soportes inestables. Mantenga los pies sobre suelo firme y el equilibrio en todo momento.
3. Ponga siempre el cuerpo de la hidrolavadora de alta presión sobre una superficie nivelada y estable. Evite las áreas donde el agua eyectada fluya o se empoce.
4. Antes de limpiar, compruebe los alrededores y los objetos que va a limpiar. Los chorros a alta presión pueden levantar la pintura u otros tratamientos de la superficie incluidos productos químicos tóxicos. Tome medidas preventivas si es necesario.
5. Tenga cuidado de no tropezar con el cable o la manguera de la hidrolavadora de alta presión. Sea siempre consciente de la configuración del cable y la manguera durante la operación.

6. Durante la utilización, una pequeña cantidad de agua saldrá por la parte inferior de la hidrolavadora de alta presión. Evite colocar la hidrolavadora de alta presión en las áreas donde no quiera mojar.

Seguridad personal

1. Para protegerse contra el chorro y objetos lanzados por el chorro, los operarios deberán ponerse ropa apropiada tal como botas de seguridad, guantes de seguridad, cascos de seguridad con visor, protección para los oídos, etc.
2. No utilice la hidrolavadora de alta presión dentro del alcance de personas a menos que estas lleven puestas ropas de protección.
3. Para reducir el riesgo de heridas, será necesaria una supervisión estrecha cuando el producto sea utilizado cerca de niños.
4. El agua que ha fluído a través del bloqueador de reflujo está considerada como no potable.

Seguridad eléctrica

1. No utilice nunca la hidrolavadora de alta presión en exteriores en la lluvia.
2. No toque nunca la clavija de alimentación y/o el enchufe con las manos mojadas.
3. No utilice la máquina si el cable de alimentación o partes importantes de la máquina están dañados, por ejemplo, dispositivos de seguridad, mangueras de alta presión, o la pistola de gatillo.
4. La clavija deberá corresponder con la toma de corriente. No modifique nunca la clavija de ninguna forma. No utilice ningún adaptador de clavija con herramientas puestas a tierra. Una clavija no modificada y que corresponda con la toma de corriente reducirá el riesgo de descarga eléctrica.
5. Los cables de extensión inadecuados pueden ser peligrosos. Si se utiliza un cable de extensión, este deberá ser adecuado para uso en exteriores, y la conexión deberá mantenerse seca y por encima del suelo. Se recomienda que esto se consiga mediante un enrollador de cable que mantenga el conector a al menos 60 mm por encima del suelo.
6. Tenga en cuenta lo siguiente cuando utilice cables de extensión:
 - Utilice solamente cables de extensión que hayan sido previstos para uso en exteriores.
 - Utilice solamente cables de extensión con clasificación eléctrica igual o más alta que la clasificación del producto.
 - No utilice cables de extensión dañados.
 - Examine los cables de extensión antes de utilizarlos y reemplácelos si están dañados.
 - No haga mal uso de los cables de extensión y no tire de los cables para desconectarlos.
 - Mantenga los cables alejados del calor y de bordes cortantes.

- Desconecte siempre el cable de extensión de la toma de corriente antes de desconectar el producto del cable de extensión.

7. La conexión del suministro eléctrico deberá ser hecha por un electricista cualificado y cumplir con IEC 60364-1. Se recomienda que el suministro eléctrico a esta máquina incluya o bien un dispositivo de corriente residual que interrumpa el suministro eléctrico si la fuga de corriente a tierra excede los 30 mA para 30 ms o bien un dispositivo que consolide el circuito de puesta a tierra.

Utilización y cuidado de la herramienta eléctrica

1. Lea todas las instrucciones antes de utilizar el producto.
2. Sepa cómo detener la hidrolavadora de alta presión y purgar las presiones rápidamente. Familiarícese completamente con los controles.
3. Los chorros de alta presión pueden ser peligrosos si se usan mal. El chorro no deberá ser dirigido hacia gente, equipos eléctricos conectados a la corriente, o hacia la propia máquina.
4. Esta máquina no ha sido prevista para ser utilizada por personas (incluidos niños) con capacidades físicas, sensoriales o mentales reducidas, o sin experiencia y conocimiento.
5. Los niños pequeños deberán ser supervisados para asegurarse de que no juegan con el aparato.
6. No rocíe líquidos inflamables y/o tóxicos. Esto podrá ocasionar una explosión, intoxicación, o daño a la máquina.
7. No dirija el chorro contra usted mismo u otras personas con objeto de limpiar las ropas o el calzado.
8. Las mangueras de alta presión, los aditamentos y acopladores son importantes para la seguridad de la máquina. Utilice solamente mangueras, aditamentos y acopladores recomendados por el fabricante.
9. Siga las instrucciones cuando cambie accesorios.
10. Mantenga los mangos secos, limpios, y libres de aceite o grasa.
11. Esté alerta - observe lo que está haciendo.
12. No opere el producto cuando esté fatigado o bajo la influencia de alcohol o drogas.
13. No haga funcionar la hidrolavadora de alta presión sin agua durante más de un minuto. Ello dañará el motor, resultando en un mal funcionamiento.
14. Desconecte siempre la alimentación y cierre la red de distribución de agua cuando deje la hidrolavadora de alta presión desatendida.
15. Sea consciente del retroceso brusco. La pistola de gatillo recula cuando el chorro de alta presión es eyectado por la boquilla. Sujete la pistola de gatillo firmemente para evitar heridas accidentales.

16. Compruebe por si hay partes dañadas o desgastadas antes de la utilización. Asegúrese también de que la manguera está conectada debidamente y que no hay fugas durante la operación. La operación de la máquina con defectos de funcionamiento puede ocasionar un accidente.
17. Esta máquina ha sido diseñada para ser utilizada con el agente de limpieza suministrado o recomendado por el fabricante. La utilización de otros agentes de limpieza o productos químicos podrá afectar adversamente a la seguridad de la máquina.
18. No tire del cable y/o la manguera para mover el cuerpo de la hidrolavadora de alta presión. Esto dañará el cable, la manguera, y las partes de conexión y resultará en un cortocircuito o defectos de funcionamiento.
19. No ponga objetos pesados encima de la manguera o deje que vehículos pasen sobre ella.
20. Descargue siempre la presión residual en la pistola de gatillo antes de desconectar la manguera.
21. Cuando conecte la manguera a la red de distribución de agua, observe las instrucciones del departamento o compañía de abastecimiento de agua local.

Servicio

1. Siga las instrucciones de mantenimiento especificadas en el manual.
2. Para garantizar la seguridad de la máquina, utilice solamente piezas de repuesto originales del fabricante u homologadas por el fabricante.
3. Haga que la hidrolavadora de alta presión sea servida por un reparador técnico cualificado utilizando solamente piezas de repuesto idénticas. Esto garantizará que se mantendrá la seguridad de la hidrolavadora de alta presión.
4. En caso de rotura o mal funcionamiento de la hidrolavadora de alta presión, apáguela inmediatamente y retire la clavija de alimentación. Póngase en contacto con el distribuidor o centro de servicio local.

GUARDE ESTAS INSTRUCCIONES.

⚠️ ADVERTENCIA: NO deje que la comodidad o familiaridad con el producto (a base de utilizarlo repetidamente) sustituya la estricta observancia de las normas de seguridad para el producto en cuestión.

El MAL USO o el no seguir las normas de seguridad establecidas en este manual de instrucciones podrá ocasionar graves heridas personales.

DESCRIPCIÓN DEL FUNCIONAMIENTO

⚠️ PRECAUCIÓN: Asegúrese siempre de que la herramienta está apagada y desenchufada antes de intentar realizar cualquier tipo de ajuste o comprobación en ella.

Interruptor de alimentación

AVISO: No gire el interruptor de alimentación con fuerza. Esto podrá ocasionar un mal funcionamiento del interruptor.

Para la HW1200

► Fig.1: 1. Posición DESACTIVADA 2. Posición ACTIVADA

Gire el interruptor de alimentación hacia la derecha para encender la hidrolavadora de alta presión.

Para la HW1300

Gire el interruptor de alimentación hacia la derecha o hacia la izquierda dependiendo del nivel de presión. Gire el interruptor de alimentación hacia la derecha para modo de alta presión, y hacia la izquierda para modo de baja presión.

► Fig.2: 1. Modo de baja presión 2. Posición DESACTIVADA 3. Modo de alta presión

Funciones de la boquilla

Lanza de pulverización Vario-Power

► Fig.3

La presión del chorro se puede ajustar girando la boquilla.

⚠️ PRECAUCIÓN: Cuando ajuste la presión del chorro, no gire la boquilla mientras tira de ella hacia la pistola de gatillo. La boquilla podrá salirse de la pistola de gatillo y ocasionar heridas personales.

Desincrustador de suciedad

► Fig.4

Se eyecta un chorro en espiral. Apropiado para retirar suciedad resistente.

AVISO: No utilice el desincrustador de suciedad para limpiar superficies frágiles tales como ventanas o carrocerías de automóvil.

Boquilla de espuma

► Fig.5

El detergente se puede rociar como espuma.

Funciones del gatillo

Apriete el gatillo para eyectar un chorro de agua. El chorro continuará siempre y cuando se tenga apretado el gatillo.

El gatillo se puede bloquear para un manejo seguro de la pistola de gatillo. Para bloquear el gatillo, extraiga el retenedor y engánchelo en la acanaladura de la empuñadura.

► **Fig.6:** 1. Retenedor 2. Acanaladura

AVISO: Para evitar un error mecánico en el cambio de presión, deje siempre un intervalo de dos segundos entre las operaciones del gatillo.

Válvula de seguridad

Este aparato está equipado con una válvula de seguridad que impide una sobrepresión excesiva. Cuando se libera el gatillo, la válvula se abre y el agua vuelve a circular a través de la entrada de la bomba.

⚠PRECAUCIÓN: No manipule o regule el ajuste de la válvula de seguridad.

Enrollador de manguera

Para la HW1300 solamente

Para desenrollar la manguera, extraiga primero el extremo de la manguera del trinquete. Despliegue el mango y gírelo hacia la derecha. Desenrolle siempre la manguera hasta el extremo cuando opere la hidrolavadora de alta presión.

► **Fig.7:** 1. Enrollador de manguera 2. Mango
3. Extremo de la manguera

Cuando almacene la manguera, gire el mango hacia la izquierda y fije el extremo de la manguera.

► **Fig.8:** 1. Trinquete 2. Mango

Suministro de agua desde un tanque/depósito

Accesorios opcionales

Puede suministrar agua desde un tanque o depósito en lugar de un grifo.

Reemplace el conector de la manguera de agua con el juego de manguera de succión (accesorio opcional). Cuando conecte el juego de manguera de succión, desconecte la caja del filtro de la manguera y colóquela en la entrada de la hidrolavadora de alta presión. Después, conecte la manguera a la caja del filtro.

► **Fig.9:** 1. Tanque/depósito 2. Juego de manguera de succión 3. Conector de la manguera de agua
4. Manguera 5. Caja del filtro 6. Entrada de la hidrolavadora de alta presión

AVISO: Utilice siempre un juego de manguera de succión de Makita.

AVISO: Mantenga siempre 1,0 m (3,28 ft) o menos de altura entre la entrada de la hidrolavadora de alta presión y la superficie del agua. De lo contrario, la hidrolavadora de alta presión no podrá subir el agua al interior de la bomba.

Para introducir agua en la manguera, retire la boquilla de la pistola de gatillo y encienda la hidrolavadora de alta presión mientras está apretado el gatillo. Una vez que el agua se eyecta establemente por la pistola de gatillo, libere el gatillo y coloque la boquilla para el propósito que quiera.

► **Fig.10:** 1. Pistola de gatillo

NOTA: Cuando el agua no se eyecte, retire el juego de manguera de succión y remójelo en agua. Después vuelva a conectarlo a la hidrolavadora de alta presión.

► **Fig.11:** 1. Juego de manguera de succión

MONTAJE

⚠PRECAUCIÓN: Asegúrese siempre de que la herramienta está apagada y desenchufada antes de realizar cualquier trabajo en la herramienta.

Ensamblaje del mango de transporte

Para la HW1200 solamente

1. Una las mitades delantera y trasera del mango alineando los agujeros para tornillos en el cuerpo de la hidrolavadora de alta presión.

► **Fig.12:** 1. Mitad delantera del mango 2. Mitad trasera del mango 3. Cuerpo de la hidrolavadora de alta presión

2. Sujete el mango de transporte con los tornillos (7 unidades).

► **Fig.13**

Conexión de la manguera de alta presión

Para la HW1200 solamente

Conecte la manguera de alta presión a la salida (con marca de pistola). Gire la tuerca en la manguera de alta presión hacia la derecha mientras la enrosca en la rosca de la salida.

► **Fig.14:** 1. Salida 2. Tuerca

⚠PRECAUCIÓN: Asegúrese de que la manguera de alta presión está conectada firmemente. Una conexión floja puede hacer que se suelte la manguera de alta presión, resultando en heridas personales.

Colocación de la pistola de gatillo

Conecte la manguera de alta presión a la entrada de la pistola de gatillo. Gire la tuerca en la manguera de alta presión hacia la derecha mientras la enrosca en la rosca de la entrada.

► **Fig.15:** 1. Entrada 2. Tuerca

⚠PRECAUCIÓN: Asegúrese de que la manguera de alta presión está conectada firmemente. Una conexión floja puede hacer que se suelte la manguera de alta presión, resultando en heridas personales.

Conexión a un grifo

⚠ PRECAUCIÓN: Utilice siempre una manguera de agua resistente a la presión con $\varnothing 13$ mm o diámetro más grande y conéctela al grifo utilizando un aditamento apropiado. De lo contrario, la manguera de agua y/o el aditamento podrán romperse y ocasionar heridas personales.

AVISO: Utilice una manguera de agua resistente a la presión lo más corta posible. La cantidad de agua de entrada deberá ser mayor que el volumen de alimentación máximo de la bomba.

AVISO: Si conecta a la red de distribución de agua potable, utilice una válvula bloqueadora de reflujo que cumpla con los reglamentos de su región.

Prepare una manguera de agua resistente a la presión. Coloque el manguito de acoplamiento a un extremo y conecte el otro extremo al grifo de la forma siguiente.

1. Retire la tuerca del manguito de acoplamiento y pase la manguera de agua resistente a la presión a través de la tuerca. Inserte el extremo de la manguera en el manguito de acoplamiento y después apriete la tuerca.
- **Fig.16:** 1. Manguera de agua resistente a la presión
2. Tuerca del manguito de acoplamiento
3. Manguito de acoplamiento

NOTA: Si conecta la manguera de agua resistente a la presión al grifo utilizando un manguito de acoplamiento, colóquelo en ambos extremos de la manguera.

2. Conecte la manguera de agua resistente a la presión al grifo. Coloque un aditamento apropiado tal como una abrazadera para manguera o acoplador de toma de agua para sujetar el extremo de la manguera con el grifo.
- **Fig.17:** 1. Abrazadera para manguera 2. Acoplador de toma de agua 3. Manguera de agua resistente a la presión

NOTA: El aditamento dependerá de la forma del grifo al que conecte. Prepare un aditamento apropiado de venta en el comercio.

3. Coloque el conector de la manguera de agua a la entrada (con la marca de grifo) y después inserte el manguito de acoplamiento.
- **Fig.18:** 1. Manguito de acoplamiento 2. Conector de la manguera de agua 3. Entrada

Conexión/desconexión de la boquilla

⚠ PRECAUCIÓN: Bloquee siempre el gatillo cuando conecte/desconecte la boquilla.

Inserte el extremo de la boquilla en la ranura de la pistola de gatillo y gírela en la dirección de la flecha como se muestra en la figura. Para desconectar, gire la boquilla en la dirección inversa mientras la presiona hacia la pistola de gatillo.

► **Fig.19:** 1. Pistola de gatillo 2. Ranura 3. Extremo de la boquilla

Algunas boquillas opcionales requieren el acoplador de conexión (accesorio opcional) para colocarlas en la pistola de gatillo. Coloque el acoplador de conexión a la pistola de gatillo de la misma forma que la boquilla.

- **Fig.20:** 1. Boquilla 2. Acoplador de conexión
3. Pistola de gatillo

NOTA: El acoplador de conexión se necesita cuando se utilizan las boquillas incluidas con otro modelo, HW112 o HW121.

Conexión de la boquilla de espuma

⚠ PRECAUCIÓN: Bloquee siempre el gatillo cuando conecte/desconecte la boquilla.

Prepare un detergente antes de utilizar la boquilla de espuma.

1. Retire la boquilla del tanque girándola hacia la izquierda. Coloque la boquilla en la pistola de gatillo.
- **Fig.21:** 1. Boquilla 2. Pistola de gatillo
2. Vierta el detergente en el tanque e instálelo en la boquilla.
- **Fig.22:** 1. Tanque

AVISO: Utilice siempre detergente neutro. Detergente ácido o alcalino puede dañar el tanque y la boquilla.

OPERACIÓN

⚠ ADVERTENCIA: No toque el chorro de agua o lo dirija hacia usted u otras personas. El chorro de agua es peligroso y puede herirle a usted u otras personas.

⚠ ADVERTENCIA: Cuando dispare el chorro de agua, no sujete nunca el objeto que está limpiando o coloque las manos y piernas cerca del chorro de agua.

⚠ PRECAUCIÓN: Esté alerta al rebote del chorro de agua y objetos que salen volando. No acerque más de 30 cm la boquilla.

⚠ PRECAUCIÓN: No haga funcionar la hidrolavadora de alta presión sin agua durante más de 1 minuto.

⚠ PRECAUCIÓN: No opere la hidrolavadora de alta presión durante largos periodos de tiempo. Esto puede ocasionar recalentamiento o un incendio. Además, la utilización durante largo tiempo puede ocasionar trastornos de vibración.

⚠ PRECAUCIÓN: Sea consciente de la dirección del aire. Si el detergente entra en sus ojos o la boca, aclare con agua corriente inmediatamente y solicite atención médica si es necesario.

AVISO: Evite utilizar la hidrolavadora de alta presión durante más de 1 hora. Después de utilizar durante 1 hora, deje una intermisión del mismo tiempo.

1. Conecte el extremo de la manguera de alta presión a la pistola de gatillo. Para la HW1200, conecte el otro extremo a la hidrolavadora de alta presión. Para la HW1300, desenrolle la manguera completamente hasta el extremo.

2. Conecte la hidrolavadora de alta presión al grifo y después abra el grifo.

► Fig.23

AVISO: Para proteger el mecanismo de la hidrolavadora de alta presión, no utilice agua más caliente de 40°C.

3. Enchufe la hidrolavadora de alta presión a la red eléctrica y enciéndala.

► Fig.24: 1. Interruptor de alimentación

4. Para eyectar un chorro de agua, desbloquee el retenedor y apriete el gatillo. El chorro continuará siempre y cuando se tenga apretado el gatillo.

► Fig.25: 1. Retenedor

PRECAUCIÓN: Sujete la pistola de gatillo firmemente. La pistola de gatillo recula cuando usted aprieta el gatillo.

PRECAUCIÓN: Sujete siempre la pistola de gatillo por la empuñadura y el barril cuando limpie. Mientras el motor está en marcha, no toque ninguna parte del cuerpo de la hidrolavadora de alta presión aparte del mango de transporte y el interruptor de alimentación.

AVISO: Tenga cuidado de no tirar de la pistola de gatillo con fuerza durante la operación. Esto podrá ocasionar que la hidrolavadora de alta presión se vuelque.

Después de la operación

PRECAUCIÓN: Después de la operación, realice siempre el procedimiento descrito en este manual. La presión residual en la pistola de gatillo o hidrolavadora de alta presión puede ocasionar heridas personales o dañar la bomba interior.

1. Después de la operación, deje activado el interruptor de alimentación.

2. Cierre el grifo y desconecte la manguera de agua de la hidrolavadora de alta presión.

► Fig.26

3. Apriete el gatillo hasta que el agua restante en la hidrolavadora de alta presión se haya descargado.

No haga funcionar el motor durante más de 1 minuto.

► Fig.27

4. Apague la hidrolavadora de alta presión y desenchúfela de la red eléctrica.

► Fig.28: 1. Interruptor de alimentación

5. Desconecte la manguera de alta presión de la pistola de gatillo.

► Fig.29: 1. Pistola de gatillo 2. Manguera de alta presión

Para la HW1200, desconecte también la manguera de alta presión de la hidrolavadora de alta presión.

► Fig.30: 1. Manguera de alta presión

Para la HW1300, enrolle la manguera y fije el extremo de la manguera.

► Fig.31: 1. Trinquete 2. Mango

AVISO: Para evitar que la manguera de alta presión se dañe, retire el agua restante en la manguera antes de almacenar.

MANTENIMIENTO Y ALMACENAMIENTO

PRECAUCIÓN: Asegúrese siempre de que la herramienta está apagada y desenchufada antes de intentar realizar la inspección o el mantenimiento.

AVISO: No utilice nunca gasolina, bencina, disolvente, alcohol o similares. Podría producir descoloración, deformación o grietas.

Limpeza de la boquilla

Utilice una varilla de limpieza para retirar la suciedad o desatascar la boquilla.

► Fig.32: 1. Varilla de limpieza

AVISO: No retire la suciedad o los residuos a la fuerza. Esto podrá resultar en heridas personales o daños al agujero de eyección ocasionando ángulos de chorro desviados o mal rendimiento.

Limpeza del filtro

Desprenda el conector de la manguera de agua y retire la suciedad y los residuos del interior del filtro.

► Fig.33: 1. Conector de la manguera de agua
2. Filtro 3. Anillo obturador

Cuando utilice el juego de manguera de succión (accesorio opcional), extraiga el filtro de la caja del filtro y retire la suciedad y los residuos.

► Fig.34: 1. Filtro 2. Caja del filtro

NOTA: Para mantener el rendimiento óptimo, limpie el filtro periódicamente.

Almacenamiento

Enrolle la manguera y el cable. Ponga la pistola de gatillo y las boquillas en los bolsillos.

HW1200

► Fig.35

HW1300

► Fig.36

⚠️PRECAUCIÓN: Almacene siempre en un lugar en interiores donde la temperatura no llegue a bajo cero. Si la hidrolavadora de alta presión se congela y no funciona bien, póngase en contacto con el centro de servicio local para hacer reparaciones.

⚠️PRECAUCIÓN: Utilice siempre el mango de transporte cuando mueva la hidrolavadora de alta presión. No la transporte tirando de la manguera o el cable. La manguera o el cable podrá dañarse.

⚠️PRECAUCIÓN: No transporte la hidrolavadora de alta presión con la manguera y/o el cable desenrollado. La manguera o el cable extendido podrán dañarse o enredarse con otros objetos, resultando en heridas personales y rotura.

Para mantener la SEGURIDAD y FIABILIDAD del producto, las reparaciones, y cualquier otra tarea de mantenimiento o ajuste deberán ser realizadas en centros de servicio o de fábrica autorizados por Makita, empleando siempre repuestos Makita.

SOLUCIÓN DE PROBLEMAS

Antes de solicitar reparaciones, realice su propia inspección en primer lugar. Si encuentra un problema que no está explicado en el manual, no intente desmontar la herramienta. En su lugar, pregunte en los centros de servicio autorizados Makita, utilizando siempre piezas de recambio Makita para las reparaciones.

Estado de anomalía	Causa probable (mal funcionamiento)	Remedio
La hidrolavadora no se pone en marcha.	No hay electricidad	Conecte la clavija a la red eléctrica. Además, compruebe si se está suministrando electricidad a la red eléctrica.
	El interruptor no está activado.	Active el interruptor.
	Presión residual en la bomba	Apriete el gatillo.
	Cable o circuito eléctrico dañado	Póngase en contacto con un centro de servicio autorizado para hacer reparaciones.
No hay chorro de agua / chorro de agua débil	No hay suministro de agua	Asegúrese de que el grifo está abierto. Si está utilizando el juego de manguera de succión, introduzca agua en la manguera.
	Mal suministro de agua	Abra el grifo.
	Mala conexión de la manguera de agua	Compruebe la conexión entre la manguera de agua y el grifo y la entrada de la hidrolavadora de alta presión.
	Manguera, filtro, o boquilla atascado	Desatasque la manguera, el filtro, o la boquilla.
	Hay aire bloqueando el flujo de agua.	Desactive el interruptor y después actívelo otra vez mientras aprieta el gatillo.
	Boquilla dañada o desgastada	Reemplace la boquilla.
	Mal funcionamiento de la bomba o la válvula	Póngase en contacto con un centro de servicio autorizado para hacer reparaciones.
Chorro de agua inestable.	Boquilla atascada	Desatasque el agujero de eyección de la boquilla utilizando una varilla de limpieza.
	Mala succión de agua	Compruebe la manguera de agua comenzando por el grifo para ver si hay alguna fuga o atasco. Abra el grifo.
	El agua está muy caliente.	Suministre agua más fría.
	Mal funcionamiento de la válvula	Póngase en contacto con un centro de servicio autorizado para hacer reparaciones.
Sonido anormal.	El agua está muy caliente.	Suministre agua más fría.
	Hay aire atrapado en la bomba.	Póngase en contacto con un centro de servicio autorizado para hacer reparaciones.
Fuga de agua/aceite.	Mala conexión	Compruebe la conexión entre la manguera de alta presión y la pistola de gatillo y la hidrolavadora de alta presión.
	Obturadores desgastados	Póngase en contacto con un centro de servicio autorizado para hacer reparaciones.
La bomba no se pone en marcha aunque se oye el sonido del motor.	Cable de extensión no apropiado.	Utilice un cable de extensión apropiado para la clasificación del producto.

ACCESORIOS OPCIONALES

⚠PRECAUCIÓN: Estos accesorios o aditamentos están recomendados para su uso con la herramienta Makita especificada en este manual. El uso de cualquier otro accesorio o aditamento puede suponer un riesgo de heridas personales. Utilice el accesorio o aditamento solamente con la finalidad indicada para el mismo.

Si necesita cualquier ayuda para más detalles en relación con estos accesorios, pregunte al centro de servicio Makita local.

NOTA: Algunos elementos de la lista podrán estar incluidos en el paquete de la herramienta como accesorios estándar. Pueden variar de un país a otro.

Lanza de pulverización

► Fig.37

La anchura del chorro se puede ajustar desde 0° a 25° girando el extremo delantero de la boquilla.

⚠PRECAUCIÓN: Cuando ajuste la anchura del chorro, no gire la boquilla mientras tira de ella hacia la pistola de gatillo. La boquilla podrá salirse de la pistola de gatillo y ocasionar heridas personales.

Cepillo de limpieza (largo)

► Fig.38

Una boquilla equipada con cepillo. Útil para retirar la suciedad a la vez que se restriega con cepillo.

Juego de manguera de succión

► Fig.39

Reemplace la manguera de agua con este juego para suministrar agua desde el tanque o depósito.

Cepillo de lavar giratorio

► Fig.40

Tres cepillos dentro giran despacio cuando se eyecta el chorro. Útil para limpiar suciedad ligera en una pared exterior, carrocería de automóvil, bañera, etc.

Extensión de lanza

► Fig.41

Tubos para extender la longitud de la pistola de gatillo. Hay disponibles tres longitudes diferentes cambiando el número de tubos que se van a utilizar.

Lanza de pulverización para bajos de chasis

► Fig.42

Una lanza de pulverización extra larga con boquilla en ángulo. Óptima para limpiar áreas difícil de alcanzar tales como los bajos de chasis de automóvil y canales de tejado.

⚠PRECAUCIÓN: No utilice la lanza de pulverización para bajos de chasis con la extensión de lanza.

Protector contra salpicaduras

► Fig.43

Reduce el retroceso de salpicaduras cuando se limpian esquinas con el desincrustador de suciedad.

Articulación de rótula

► Fig.44

Evita que la manguera de alta presión se retuerza.

Acoplador de conexión

► Fig.45

Un acoplador para conectar una boquilla de otro modelo.

NOTA: El acoplador de conexión se necesita cuando se utilizan las boquillas incluidas con otro modelo, HW112 o HW121.

Juego de limpieza de tubos (10 m/15 m)

► Fig.46

Para limpiar y desatascar tuberías y bajantes pluviales.

⚠PRECAUCIÓN: Preste atención especial al chorro de agua cuando utilice el juego de limpieza de tubos. Se eyecta hacia atrás un chorro de agua muy intenso.

Manguera de alta presión de extensión (5 m/8 m/10 m)

► Fig.47

Manguera de extensión para conectar el cuerpo de la hidrolavadora de alta presión a la pistola de gatillo.

AVISO

- As máquinas não devem ser utilizadas por crianças. As crianças devem ser supervisionadas de modo a assegurar que não brincam com a máquina.
- Esta máquina não se destina a ser utilizada por pessoas (incluindo crianças) com capacidades físicas, sensoriais ou mentais reduzidas ou falta de experiência e conhecimentos.
- Esta máquina foi concebida para ser utilizada com o produto de limpeza fornecido ou recomendado pelo fabricante. A utilização de outros produtos de limpeza ou produtos químicos poderá ter efeitos adversos na segurança da máquina.
- Os jatos de alta pressão podem ser perigosos se forem sujeitos a utilização incorreta. O jato não deve ser direcionado para pessoas, equipamento elétrico sob tensão ou para a própria máquina.
- Não utilize a máquina dentro do alcance de pessoas, exceto se estas estiverem a usar equipamento de proteção pessoal.
- Não direcione o jato contra si próprio ou contra outros para lavar roupas ou calçado.
- Risco de explosão - não pulverize líquidos inflamáveis.
- As máquinas de lavar a alta pressão não devem ser utilizadas por crianças ou pessoal sem formação.
- As mangueiras de alta pressão, os acessórios e os acoplamentos são importantes para a segurança da máquina. Utilize apenas mangueiras, acessórios e acoplamentos recomendados pelo fabricante.
- Para garantir a segurança da máquina, utilize apenas peças sobreselentes originais do fabricante ou aprovadas pelo fabricante.
- Certifique-se sempre de que a ferramenta está desligada e desconectada da tomada antes de realizar quaisquer trabalhos na ferramenta.
- Não utilize a máquina se um cabo de alimentação ou peças importantes da máquina estiverem danificados, por exemplo, dispositivos de segurança, mangueiras de alta pressão, pistola de gatilho.
- Os cabos de extensão inadequados podem ser perigosos. Se for utilizado um cabo de extensão, este deve ser adequado para uso exterior e a ligação tem de ser mantida seca e não tocar no chão. Recomendamos que o faça através de uma bobina de cabo que mantém a tomada a pelo menos 60 mm acima do solo.

- Desligue sempre o interruptor geral da corrente elétrica quando deixar a máquina sem supervisão.
- Cumpra os requisitos da empresa de fornecimento de água local.
- Para países europeus:
De acordo com a EN12729 (BA), o aparelho também pode ser ligado à rede de abastecimento de água potável se uma válvula anti-retorno com escoamento estiver instalada na mangueira de fornecimento.

ESPECIFICAÇÕES

Modelo:		HW1200	HW1300
Volume de alimentação máx.		7,0 l/min	7,5 l/min
Caudal de água		5,5 l/min	6,0 l/min
Pressão máx. admissível		12 MPa (120 bars)	13 MPa (130 bars)
Pressão de funcionamento	Modo Alta	10 MPa (100 bars)	11 MPa (110 bars)
	Modo Baixa	-	8 MPa (80 bars)
Pressão máx. de alimentação		1 MPa (10 bars)	
Temperatura máx. de alimentação		40°C	
Altura máx. de sucção		1,0 m	
Dimensões (C x L x A)		292 mm x 358 mm x 830 mm	
Peso		11,0 kg	12,7 kg
Proteção do motor		IPX5	

- Devido a um programa contínuo de pesquisa e desenvolvimento, estas especificações podem ser alteradas sem aviso prévio.
- As especificações podem variar de país para país.
- Peso de acordo com o Procedimento 01/2003 da EPTA (European Power Tool Association)

Símbolos

A seguir são apresentados os símbolos utilizados para o equipamento. Certifique-se de que compreende o seu significado antes de utilizar o equipamento.



Leia o manual de instruções.



Tenha especial cuidado e atenção.



ISOLAMENTO DUPLO



Apenas para os países da União Europeia
Não elimine os equipamentos elétricos junto com o lixo doméstico! De acordo com a diretiva europeia relativa aos resíduos de equipamentos elétricos e eletrônicos e à sua implementação de acordo com as leis nacionais, os equipamentos elétricos que atingiram o seu fim de vida útil devem ser recolhidas separadamente e entregues numa instalação de reciclagem ambientalmente compatível.



Não direcione o jato para pessoas, incluindo você mesmo, animais e equipamentos elétricos sob tensão.



Não é adequado para ligação a redes de abastecimento de água potável.

Utilização a que se destina

Esta ferramenta destina-se à limpeza de sujidade persistente através da utilização de jatos de água. Esta ferramenta destina-se a utilização doméstica.

Alimentação

A ferramenta só deve ser ligada a uma fonte de alimentação com a mesma tensão da indicada na placa de características, e só funciona com alimentação de corrente alterna (CA) monofásica. Tem um sistema de isolamento duplo e pode, por isso, utilizar tomadas sem ligação à terra.

Para sistemas públicos de distribuição de baixa tensão entre 220 V e 250 V

Alternar a operação de aparelhos elétricos pode provocar flutuações de tensão. A operação deste aparelho sob condições de alimentação elétrica desfavoráveis pode ter efeitos adversos na operação de outro equipamento. Com uma impedância de alimentação igual ou inferior a 0,25 Ohms pode-se presumir que não haverá efeitos negativos. A tomada de alimentação utilizada para este aparelho tem de estar protegida com um fusível ou um disjuntor de proteção de circuito com características de disparo lentas.

Ruído

A característica do nível de ruído A determinado de acordo com a EN60335-2-79:

Modelo HW1200

Nível de pressão acústica (L_{pa}): 72 dB (A)
Variabilidade (K): 3,8 dB (A)

Modelo HW1300

Nível de pressão acústica (L_{pa}): 76 dB (A)
Variabilidade (K): 2,4 dB (A)

O nível de ruído durante o funcionamento pode exceder 80 dB (A).

AVISO: Utilize protetores auriculares.

Vibração

Valor total da vibração (soma vetorial tri-axial) determinado de acordo com a EN60335-2-79:

Modelo HW1200

Emissão de vibração (a_h): 4,11 m/s²
Variabilidade (K): 1,5 m/s²

Modelo HW1300

Emissão de vibração (a_h): 4,86 m/s²
Variabilidade (K): 1,5 m/s²

NOTA: O valor da emissão de vibração indicado foi medido de acordo com o método de teste padrão e pode ser utilizado para comparar duas ferramentas.

NOTA: O valor da emissão de vibração indicado pode também ser utilizado na avaliação preliminar da exposição.

AVISO: A emissão de vibração durante a utilização real da ferramenta elétrica pode diferir do valor de emissão indicado, dependendo das formas como a ferramenta é utilizada.

AVISO: Certifique-se de identificar as medidas de segurança para proteção do operador que sejam baseadas em uma estimativa de exposição em condições reais de utilização (considerando todas as partes do ciclo de operação, tal como quando a ferramenta está desligada e quando está a funcionar em marcha lenta além do tempo de acionamento).

Declaração de conformidade da CE

Apenas para os países europeus

A declaração de conformidade da CE está incluída como Anexo A neste manual de instruções.

AVISOS DE SEGURANÇA

AVISO: Leia todos os avisos de segurança e todas as instruções. O não cumprimento de todos os avisos e instruções pode originar choque elétrico, incêndio e/ou ferimentos graves.

Guarde todos os avisos e instruções para futuras referências.

Segurança da área de trabalho

1. Mantenha a área operacional sem pessoas.
2. Não tente esticar-se nem permaneça sobre suportes instáveis. Mantenha sempre um bom posicionamento e equilíbrio.
3. Coloque sempre o corpo da lavadora de alta pressão sobre uma superfície nivelada e estável. Evite áreas nas quais a água ejetada escorra ou acumule.
4. Antes de limpar, verifique os arredores e os objetos a limpar. Os jatos de alta pressão podem raspar tinta ou outros tratamentos de superfície, incluindo produtos químicos tóxicos. Adote as medidas preventivas, se necessário.
5. Tenha cuidado para não tropeçar no cabo ou mangueira da lavadora de alta pressão. Tenha sempre atenção à configuração do cabo e da mangueira durante a operação.
6. Durante a utilização, uma pequena quantidade de água sairá do fundo da lavadora de alta pressão. Evite colocar a lavadora de alta pressão nas áreas que não pretende molhar.

Segurança pessoal

1. Para se protegerem contra o jato e os objetos soprados pelo jato, os operadores devem usar vestuário apropriado, tal como botas de segurança, luvas de proteção, capacetes de proteção com viseiras, proteção auditiva, etc.
2. Não utilize a lavadora de alta pressão dentro do alcance de pessoas, exceto se estas estiverem a usar equipamento de proteção pessoal.
3. Para reduzir o risco de lesão, é necessária uma supervisão rigorosa quando o produto estiver a ser utilizado próximo de crianças.
4. A água que fluiu através da válvula anti-retorno é considerada imprópria para consumo.

Segurança elétrica

1. Nunca utilize a lavadora de alta pressão em espaços exteriores sob a queda de precipitação.
2. Nunca toque na ficha elétrica e/ou tomada com as mãos molhadas.
3. Não utilize a máquina se o cabo de alimentação ou peças importantes da máquina estiverem danificados, por exemplo, dispositivos de segurança, mangueiras de alta pressão ou pistola de gatilho.
4. A ficha elétrica tem de ser apropriada para a tomada. Nunca modifique a ficha elétrica de forma alguma. Não utilize qualquer ficha adaptadora com ferramentas ligadas à terra. Não modificar a ficha e utilizar uma tomada correspondente reduz o risco de choque elétrico.

5. Os cabos de extensão inadequados podem ser perigosos. Se for utilizado um cabo de extensão, este deve ser adequado para uso exterior e a ligação tem de ser mantida seca e não tocar no chão. Recomendamos que o faça através de uma bobina de cabo que mantém a tomada a pelo menos 60 mm acima do solo.
 6. Tenha atenção ao seguinte quando utilizar cabos de extensão:
 - Utilize apenas cabos de extensão destinados a utilização exterior.
 - Utilize apenas cabos de extensão com uma classificação elétrica igual ou superior à classificação do produto.
 - Não utilize cabos de extensão danificados.
 - Inspeccione os cabos de extensão antes de utilizá-los e substitua-os, caso estejam danificados.
 - Não use os cabos de extensão abusivamente e não arranque os cabos da tomada através de puxões.
 - Mantenha os cabos afastados do calor e de arestas afiadas.
 - Desligue sempre o cabo de extensão da tomada antes de desligar o produto do cabo de extensão.
 7. A ligação da alimentação elétrica deve ser efetuada por um electricista qualificado e em conformidade com a IEC 60364-1. Recomendamos que a alimentação elétrica a esta máquina inclua um dispositivo de corrente residual que interrompa a alimentação caso a corrente de fuga para a terra exceda 30 mA por 30 ms ou um dispositivo que teste o circuito de ligação à terra.
- Utilização e conservação da ferramenta elétrica**
1. Leia todas as instruções antes de utilizar o produto.
 2. Saiba como parar a lavadora de alta pressão e purgar rapidamente as pressões. Familiarize-se completamente com os controlos.
 3. Os jatos de alta pressão podem ser perigosos se forem utilizados incorretamente. O jato não deve ser direcionado para pessoas, equipamento elétrico sob tensão ou para a própria máquina.
 4. Esta máquina não se destina a ser utilizada por pessoas (incluindo crianças) com capacidades físicas, sensoriais ou mentais reduzidas ou falta de experiência e conhecimentos.
 5. As crianças devem ser supervisionadas de modo a assegurar que não brincam com o aparelho.
 6. Não pulverize líquidos inflamáveis e/ou tóxicos. Isto poderá causar uma explosão, intoxicação ou danos na máquina.
 7. Não direcione o jato contra si próprio ou contra outros para lavar roupas ou calçado.
 8. As mangueiras de alta pressão, os acessórios e os acoplamentos são importantes para a segurança da máquina. Utilize apenas mangueiras, acessórios e acoplamentos recomendados pelo fabricante.
 9. Siga as instruções quando substituir acessórios.
 10. Mantenha as pegas secas, limpas e sem óleo ou gordura.
 11. Mantenha-se alerta - esteja atento ao trabalho.
 12. Não opere o produto quando estiver cansado ou sob a influência de álcool ou medicamentos.
 13. Não opere a lavadora de alta pressão sem água durante mais de um minuto. Isso causará danos no motor, resultando em anomalia.
 14. Desligue sempre a alimentação elétrica e desligue o abastecimento de água quando deixar a lavadora de alta pressão sem supervisão.
 15. Tenha cuidado com o retorno. A pistola de gatilho recua quando o jato de alta pressão é ejetado do bocal. Segure firmemente a pistola de gatilho para evitar lesões acidentais.
 16. Verifique se existem peças danificadas ou gastas antes de utilizar o aparelho. Além disso, certifique-se de que a mangueira está ligada corretamente e que não ocorrem fugas durante a operação. Operar a máquina com defeitos funcionais poderá causar um acidente.
 17. Esta máquina foi concebida para ser utilizada com o produto de limpeza fornecido ou recomendado pelo fabricante. A utilização de outros produtos de limpeza ou produtos químicos poderá ter efeitos adversos na segurança da máquina.
 18. Não puxe o cabo e/ou mangueira para mover o corpo da lavadora de alta pressão. Se o fizer danificará o cabo, a mangueira e as peças de ligação, resultando num curto-circuito ou em defeitos funcionais.
 19. Não coloque objetos pesados na mangueira nem permita que veículos passem sobre esta.
 20. Alivie sempre a pressão residual na pistola de gatilho antes de desligar a mangueira.
 21. Quando ligar a mangueira à rede de abastecimento de água, cumpra as instruções do departamento ou empresa de abastecimento de água local.
- Assistência**
1. Siga as instruções de manutenção especificadas no manual.
 2. Para garantir a segurança da máquina, utilize apenas peças sobresselentes originais do fabricante ou aprovadas pelo fabricante.
 3. Solicite assistência por um técnico de reparação qualificado para a sua lavadora de alta pressão utilizando apenas peças de substituição idênticas. Isso irá assegurar que a segurança da lavadora de alta pressão é mantida.
 4. No caso de avaria ou anomalia da lavadora de alta pressão, desligue-a imediatamente e remova a ficha da tomada principal. Contacte o seu distribuidor local ou centro de assistência.

GUARDE ESTAS INSTRUÇÕES.

⚠️ AVISO: NÃO permita que o conforto ou a familiaridade com o produto (adquirido com o uso repetido) substitua a adesão estrita às regras de segurança da ferramenta.

A MÁ INTERPRETAÇÃO ou o não seguimento das regras de segurança estabelecidas neste manual de instruções pode causar danos pessoais graves.

DESCRIÇÃO FUNCIONAL

⚠️ PRECAUÇÃO: Certifique-se sempre de que a ferramenta está desligada e com a ficha retirada da tomada, antes de proceder a afinações ou de verificar o funcionamento da respetiva ferramenta.

Interruptor de alimentação

OBSERVAÇÃO: Não rode o interruptor de alimentação à força. Isso pode causar a anomalia do interruptor.

Para a HW1200

► **Fig.1:** 1. Posição Desligado 2. Posição Ligado

Rode o interruptor de alimentação para a direita para ligar a lavadora de alta pressão.

Para a HW1300

Rode o interruptor de alimentação para a direita ou para a esquerda, dependendo do nível de pressão. Rode o interruptor de alimentação para a direita para o modo de alta pressão e para a esquerda para o modo de baixa pressão.

► **Fig.2:** 1. Modo de baixa pressão 2. Posição Desligado 3. Modo de alta pressão

Funções do bocal

Lança de pulverização Vario-Power

► **Fig.3**

A pressão do jato pode ser ajustada ao rodar o bocal.

⚠️ PRECAUÇÃO: Quando ajustar a pressão do jato, não rode o bocal enquanto o puxa em direção à pistola de gatilho. O bocal pode sair da pistola de gatilho e causar uma lesão física.

Destruidor de sujidade

► **Fig.4**

É ejetado um jato em espiral. Adequado para remover sujidade persistente.

OBSERVAÇÃO: Não utilize o destruidor de sujidade para limpar superfícies frágeis como janelas ou carroçarias.

Bocal de espuma

► **Fig.5**

O detergente pode ser pulverizado como espuma.

Operações do gatilho

Puxe o gatilho para ejetar um jato de água. O jato continua enquanto o gatilho é apertado.

O gatilho pode ser bloqueado para manuseamento seguro da pistola de gatilho. Para bloquear o gatilho, remova o batente e enganche-o na ranhura no punho.

► **Fig.6:** 1. Batente 2. Ranhura

OBSERVAÇÃO: Para evitar erro mecânico no interruptor de pressão, deixe sempre um intervalo de dois segundos entre as operações do gatilho.

Válvula de segurança

Este aparelho está equipado com uma válvula de segurança que evita a ocorrência de pressão excessiva indevida. Quando o gatilho é solto, a válvula abre e a água recircula através da entrada da bomba.

⚠️ PRECAUÇÃO: Não modifique ou ajuste a definição da válvula de segurança.

Bobina da mangueira

Apenas para a HW1300

Para desenrolar a mangueira, retire primeiramente a extremidade da mangueira do prendedor. Desdobre a pega e rode-a para a direita. Desenrole sempre a mangueira completamente até à extremidade quando estiver a operar a lavadora de alta pressão.

► **Fig.7:** 1. Bobina da mangueira 2. Pega 3. Extremidade da mangueira

Quando guardar a mangueira, rode a pega para a esquerda e fixe a extremidade da mangueira.

► **Fig.8:** 1. Prendedor 2. Pega

Abastecer água de um tanque/reservatório

Acessório opcional

Pode abastecer água a partir de um tanque ou reservatório em vez de uma torneira.

Substitua o conector da mangueira de água por um conjunto de mangueira de sucção (acessório opcional). Quando ligar o conjunto de mangueira de sucção, desligue a caixa do filtro da mangueira e acople-a à entrada na lavadora de alta pressão. De seguida, ligue a mangueira à caixa do filtro.

► **Fig.9:** 1. Tanque/reservatório 2. Conjunto de mangueira de sucção 3. Conector da mangueira de água 4. Mangueira 5. Caixa do filtro 6. Entrada na lavadora de alta pressão

OBSERVAÇÃO: Utilize sempre o conjunto de mangueira de sucção da Makita.

OBSERVAÇÃO: Mantenha sempre um intervalo de 1,0 m (3,28 ft) ou inferior em altura entre a entrada na lavadora de alta pressão e a superfície da água. Caso contrário, a lavadora de alta pressão não conseguirá absorver a água para a bomba.

Para introduzir água na mangueira, remova o bocal da pistola de gatilho e ligue a lavadora de alta pressão enquanto aperta o gatilho. Após a água ser ejetada de forma estável da pistola de gatilho, solte o gatilho e acople o bocal para a sua finalidade.

► **Fig.10:** 1. Pistola de gatilho

NOTA: Quando a água não é ejetada, desacople o conjunto de mangueira de sucção e mergulhe-o em água. De seguida, volta a acoplá-lo à lavadora de alta pressão.

► **Fig.11:** 1. Conjunto de mangueira de sucção

MONTAGEM

⚠️ PRECAUÇÃO: Certifique-se sempre de que a ferramenta está desligada e com a ficha retirada da tomada antes de executar quaisquer trabalhos na ferramenta.

Montar a pega de transporte

Apenas para a HW1200

1. Una as metades dianteira e traseira da pega, alinhando os orifícios do parafuso no corpo da lavadora de alta pressão.

► **Fig.12:** 1. Metade dianteira da pega 2. Metade traseira da pega 3. Corpo da lavadora de alta pressão

2. Fixe a pega de transporte com parafusos (7 peças).

► **Fig.13**

Ligar a mangueira de alta pressão

Apenas para a HW1200

Ligue a mangueira de alta pressão à saída (com a marcação da pistola). Rode a porca na mangueira de alta pressão para a direita, aparafusando-a na rosca de aparafusar da saída.

► **Fig.14:** 1. Saída 2. Porca

⚠️ PRECAUÇÃO: Certifique-se de que a mangueira de alta pressão está firmemente ligada. Uma ligação solta poderá causar a ejeção da mangueira de alta pressão, resultando em lesão física.

Acoplar a pistola de gatilho

Ligue a mangueira de alta pressão à entrada na pistola de gatilho. Rode a porca na mangueira de alta pressão para a direita, aparafusando-a na rosca de aparafusar na entrada.

► **Fig.15:** 1. Entrada 2. Porca

⚠️ PRECAUÇÃO: Certifique-se de que a mangueira de alta pressão está firmemente ligada. Uma ligação solta poderá causar a ejeção da mangueira de alta pressão, resultando em lesão física.

Ligar à torneira

⚠️ PRECAUÇÃO: Utilize sempre uma mangueira de água resistente à pressão com $\varnothing 13$ mm de diâmetro ou superior e ligue à torneira utilizando acessórios apropriados. Caso contrário, a mangueira de água e/ou o acessório podem partir e causar lesão física.

OBSERVAÇÃO: Utilize uma mangueira de água resistente à pressão o mais curta possível. A quantidade de água de entrada deve ser superior ao volume máx. de alimentação da bomba.

OBSERVAÇÃO: Se ligar à rede de abastecimento para água potável, utilize uma válvula anti-retorno que cumpra os normas na sua região.

Prepare uma mangueira de água resistente à pressão. Acople a bucha de acoplamento numa extremidade e ligue a outra extremidade à torneira do seguinte modo.

1. Remova a porca na bucha de acoplamento e passe a mangueira de água resistente à pressão através da porca. Insira a extremidade da mangueira na bucha de acoplamento e aperte a porca seguidamente.

► **Fig.16:** 1. Mangueira de água resistente à pressão 2. Porca da bucha de acoplamento 3. Bucha de acoplamento

NOTA: Se ligar a mangueira de água resistente à pressão à torneira utilizando uma bucha de acoplamento, acople-a a ambas as extremidades da mangueira.

2. Ligue a mangueira de água resistente à pressão à torneira. Aplique um acessório adequado, tal como uma tira de mangueira ou uma junta da torneira de água para fixar a extremidade da mangueira à torneira.

► **Fig.17:** 1. Tira de mangueira 2. Junta da torneira de água 3. Mangueira de água resistente à pressão

NOTA: O acessório depende da forma da torneira à qual estabelece ligação. Prepare um acessório comercializado adequado.

3. Acople o conector da mangueira de água à entrada (com a marcação da torneira) e insira seguidamente a bucha de acoplamento.

► **Fig.18:** 1. Bucha de acoplamento 2. Conector da mangueira de água 3. Entrada

Ligar/desligar o bocal

⚠️ PRECAUÇÃO: Bloqueie sempre o gatilho quando ligar/desligar o bocal.

Insira a extremidade do bocal na ranhura na pistola de gatilho e rode-a no sentido da seta, conforme indicado na figura. Para desligar, rode o bocal no sentido inverso enquanto pressiona-o em direção à pistola de gatilho.

► **Fig.19:** 1. Pistola de gatilho 2. Ranhura 3. Extremidade do bocal

Alguns bocais opcionais necessitam da junta de ligação (acessório opcional) para ligar à pistola de gatilho. Acople a junta de ligação à pistola de gatilho da mesma forma que o bocal.

► **Fig.20:** 1. Bocal 2. Junta de ligação 3. Pistola de gatilho

NOTA: A junta de ligação é necessária quando utiliza os bocais incluídos com outro modelo, HW112 ou HW121.

Ligar o bocal de espuma

⚠️ PRECAUÇÃO: Bloqueie sempre o gatilho quando ligar/desligar o bocal.

Prepare um detergente antes de utilizar o bocal de espuma.

1. Remova o bocal do tanque rodando o bocal para a esquerda. Acople o bocal à pistola de gatilho.

► Fig.21: 1. Bocal 2. Pistola de gatilho

2. Verta o detergente para o tanque e instale-o no bocal.

► Fig.22: 1. Tanque

⚠️ OBSERVAÇÃO: Utilize sempre detergente neutro. O detergente ácido ou alcalino poderá danificar o tanque ou o bocal.

OPERAÇÃO

⚠️ AVISO: Não toque no jato de água nem direcione o jato para si ou para outras pessoas. O jato de água é perigoso e pode magoá-lo a si ou a outros.

⚠️ AVISO: Quando disparar o jato de água, nunca segure o objeto que estiver a limpar nem coloque as mãos e os pés próximo do jato de água.

⚠️ PRECAUÇÃO: Mantenha-se alerta ao ressalto do jato de água e a objetos soprados. Não aproxime o bocal a uma distância inferior a 30 cm.

⚠️ PRECAUÇÃO: Não opere a lavadora de alta pressão sem água durante mais de um minuto.

⚠️ PRECAUÇÃO: Não opere a lavadora de alta pressão por um período prolongado. Isso poderá causar sobreaquecimento ou incêndio. Além disso, a utilização a longo prazo poderá causar transtorno de vibração.

⚠️ PRECAUÇÃO: Tenha cuidado com a direção do vento. Se o detergente entrar para os seus olhos ou boca, lave imediatamente com água limpa e procure cuidados médicos, se necessário.

⚠️ OBSERVAÇÃO: Evite utilizar a lavadora de alta pressão durante mais de 1 hora. Após 1 hora de utilização, aguarde o mesmo período de tempo até reutilizar a máquina.

1. Ligue a extremidade da mangueira de alta pressão à pistola de gatilho. Para a HW1200, ligue a outra extremidade à lavadora de alta pressão. Para a HW1300, desenrole a mangueira completamente até à extremidade.

2. Ligue a lavadora de alta pressão à torneira e abra a torneira seguidamente.

► Fig.23

⚠️ OBSERVAÇÃO: Para proteger o mecanismo da lavadora de alta pressão, não utilize água com temperatura superior a 40°C.

3. Ligue a ficha da lavadora de alta pressão à tomada e ligue-a.

► Fig.24: 1. Interruptor de alimentação

4. Para ejetar um jato de água, desbloqueie o batente e aperte o gatilho. O jato continua enquanto o gatilho é apertado.

► Fig.25: 1. Batente

⚠️ PRECAUÇÃO: Segure firmemente a pistola de gatilho. A pistola de gatilho recua quando puxa o gatilho.

⚠️ PRECAUÇÃO: Segure sempre a pistola de gatilho pelo punho e pelo cilindro quando limpa. Enquanto o motor estiver a funcionar, não toque em qualquer peça do corpo da lavadora de alta pressão além da pega de transporte e do interruptor de alimentação.

⚠️ OBSERVAÇÃO: Tenha cuidado para não puxar a pistola de gatilho à força durante a operação. Poderá causar o tombamento da lavadora de alta pressão.

Após a operação

⚠️ PRECAUÇÃO: Após a operação, realize sempre o procedimento descrito neste manual. A pressão residual na pistola de gatilho ou na lavadora de alta pressão pode causar lesão física ou danos no interior da bomba.

1. Após a operação, deixe o interruptor de alimentação ligado.

2. Feche a torneira e desligue a mangueira de água da lavadora de alta pressão.

► Fig.26

3. Aperte o gatilho até a água residual na lavadora de alta pressão ser descarregada.

Não opere o motor durante mais de 1 minuto.

► Fig.27

4. Desligue a lavadora de alta pressão e retire a ficha da tomada.

► Fig.28: 1. Interruptor de alimentação

5. Desligue a mangueira de alta pressão da pistola de gatilho.

► Fig.29: 1. Pistola de gatilho 2. Mangueira de alta pressão

Para a HW1200, desligue também a mangueira de alta pressão da lavadora de alta pressão.

► Fig.30: 1. Mangueira de alta pressão

Para a HW1300, enrole a mangueira e fixe a extremidade da mangueira.

► Fig.31: 1. Preendedor 2. Pega

⚠️ OBSERVAÇÃO: Para impedir que a mangueira de alta pressão sofra danos, remova a água residual na mangueira antes de guardá-la.

MANUTENÇÃO E ARMAZENAMENTO

⚠️ PRECAUÇÃO: Certifique-se sempre de que a ferramenta está desligada e com a ficha retirada da tomada antes de tentar proceder à inspeção ou à manutenção.

OBSERVAÇÃO: Nunca utilize gasolina, benzina, diluente, álcool ou produtos semelhantes. Pode ocorrer a descoloração, deformação ou rachaduras.

Limpar o bocal

Utilize o pino de limpeza para remover sujidade do bocal ou desentupi-lo.

► **Fig.32:** 1. Pino de limpeza

OBSERVAÇÃO: Não remova sujidade ou resíduos à força. Isso poderá resultar em lesão física ou danos no orifício de ejeção, causando ângulos de jato divergentes ou fraco desempenho.

Limpar o filtro

Desacople o conector da mangueira de água e remova sujidade e resíduos do interior do filtro.

► **Fig.33:** 1. Conector da mangueira de água 2. Filtro 3. Anel vedante

Quando utilizar o conjunto de mangueira de sucção (acessório opcional), remova o filtro da caixa do filtro e remova sujidade e resíduos.

► **Fig.34:** 1. Filtro 2. Caixa do filtro

NOTA: Para manter um desempenho otimizado, limpe o filtro periodicamente.

Armazenamento

Enrole a mangueira e o cabo. Coloque a pistola de gatilho e os bocais nas bolsas.

HW1200

► **Fig.35**

HW1300

► **Fig.36**

⚠️ PRECAUÇÃO: Guarde sempre num local interior onde a temperatura não atinja valores negativos. Se a lavadora de alta pressão congelar e avariar, contacte o centro de assistência da sua localidade para solicitar reparações.

⚠️ PRECAUÇÃO: Utilize sempre a pega de transporte quando mover a lavadora de alta pressão. Não transporte a lavadora através da mangueira ou do cabo. A mangueira ou o cabo poderão sofrer danos.

⚠️ PRECAUÇÃO: Não transporte a lavadora de alta pressão com a mangueira e/ou cabo desenrolados. A mangueira ou o cabo estendidos poderão sofrer danos ou ficar emaranhados com outros objetos, resultando em lesão física ou avaria.

Para manter a SEGURANÇA e a FIABILIDADE do produto, as reparações e qualquer outra manutenção ou ajuste devem ser levados a cabo pelos centros de assistência de fábrica, utilizando sempre peças de substituição Makita.

RESOLUÇÃO DE PROBLEMAS

Antes de pedir uma reparação, realize primeiro a sua própria inspeção. Se encontrar um problema que não esteja explicado no manual, não tente desmontar a ferramenta. Em vez disso, peça as reparações nos centros de assistência técnica autorizados da Makita, usando sempre peças de substituição da Makita.

Estado da anomalia	Causa provável (avaria)	Correção
A lavadora não arranca.	Sem eletricidade	Ligue a ficha à tomada. Verifique também se está a ser fornecida a eletricidade à tomada.
	O interruptor não está ligado.	Ligue o interruptor.
	Pressão residual na bomba	Puxe o gatilho.
	Cabo ou circuito elétrico danificado	Contacte um centro de assistência autorizado para reparações.
Sem jato de água / jato de água fraco	Sem abastecimento de água	Certifique-se de que a torneira está aberta. Se estiver a utilizar o conjunto de mangueira de sucção, introduza água na mangueira.
	Fraco abastecimento de água	Ligue a torneira.
	Fraca ligação da mangueira de água	Verifique a ligação entre a mangueira de água e a torneira e a entrada na lavadora de alta pressão.
	Mangueira, filtro ou bocal entupidos	Desentupa a mangueira, o filtro ou o bocal.
	O ar está a bloquear o fluxo de água.	Desligue o interruptor e ligue-o novamente de seguida enquanto aperta o gatilho.
	Bocal danificado ou gasto	Substitua o bocal.
Jato de água instável.	Anomalia na bomba ou válvula	Contacte um centro de assistência autorizado para reparações.
	Bocal entupido	Desentupa o orifício de ejeção do bocal utilizando o pino de limpeza.
	Fraca sucção de água	Verifique se existem fugas ou entupimentos da mangueira de água, começando pela torneira. Ligue a torneira.
	A água está demasiado quente.	Abasteça água mais fria.
	Anomalia da válvula	Contacte um centro de assistência autorizado para reparações.
Som anormal.	A água está demasiado quente.	Abasteça água mais fria.
	O ar está preso na bomba.	Contacte um centro de assistência autorizado para reparações.
Fuga de água/óleo.	Ligação fraca	Verifique a ligação entre a mangueira de alta pressão e a pistola de gatilho e a lavadora de alta pressão.
	Vedantes gastos	Contacte um centro de assistência autorizado para reparações.
A bomba não funciona, embora o som do motor seja audível.	Cabo de extensão inapropriado.	Utilize um cabo de extensão adequado para a classificação do produto.

ACESSÓRIOS OPCIONAIS

⚠️ PRECAUÇÃO: Estes acessórios ou peças são recomendados para utilização com a ferramenta Makita especificada neste manual. A utilização de outros acessórios ou peças pode ser perigosa para as pessoas. Utilize apenas acessórios ou peças para os fins indicados.

Se necessitar de informações adicionais relativas a estes acessórios, solicite-as ao seu centro de assistência Makita.

NOTA: Alguns itens da lista podem estar incluídos na embalagem da ferramenta como acessórios padrão. Eles podem variar de país para país.

Lança de pulverização

► Fig.37

A largura do jato pode ser ajustada de 0° a 25° ao rodar a extremidade dianteira do bocal.

⚠️ PRECAUÇÃO: Quando ajustar a largura do jato, não rode o bocal enquanto o puxa em direção à pistola de gatilho. O bocal pode sair da pistola de gatilho e causar uma lesão física.

Escova de lavar (comprida)

► Fig.38

Um bocal equipado com uma escova. Útil para lavar sujidade enquanto esfrega com a escova.

Conjunto de mangueira de sucção

► Fig.39

Substitua a mangueira de água por este conjunto para abastecer água a partir de um tanque ou reservatório.

Escova de lavar rotativa

► Fig.40

Três escovas no interior rodam lentamente ao ejetar o jato. Adequada para limpar sujidade ligeira numa parede exterior, carroçaria, banheira, etc.

Extensão da lança

► Fig.41

Tubos para estender o comprimento da pistola de gatilho. Três comprimentos diferentes estão disponíveis ao alterar o número de tubos a utilizar.

Lança de pulverização da estrutura inferior

► Fig.42

Uma lança de pulverização extra longa com bocal em ângulo. A melhor solução para limpar áreas de difícil acesso, tais como a estrutura inferior de um carro e a caleira.

⚠️ PRECAUÇÃO: Não utilize a lança de pulverização da estrutura inferior com a extensão da lança.

Proteção contra salpicos

► Fig.43

Reduz o ressalto de salpicos quando estiver a limpar cantos com o destruidor de sujidade.

Junta articulada

► Fig.44

Evita que a mangueira de alta pressão seja torcida.

Junta de ligação

► Fig.45

Uma junta para ligar a um bocal de outro modelo.

NOTA: A junta de ligação é necessária quando utiliza os bocais incluídos com outro modelo, HW112 ou HW121.

Conjunto de limpeza de tubos (10 m/15 m)

► Fig.46

Para limpar e desentupir canalizações e condutas.

⚠️ PRECAUÇÃO: Preste particular atenção ao jato de água quando utilizar o conjunto de limpeza de tubos. É ejetado um jato de água de elevada intensidade para trás.

Mangueira de alta pressão de extensão (5 m/8 m/10 m)

► Fig.47

Mangueira de extensão para ligar o corpo da lavadora de alta pressão à pistola de gatilho.

ADVARSEL

- Maskiner må ikke anvendes af børn. Børn skal overvåges for at sikre, at de ikke leger med maskinen.
- Denne maskine er ikke beregnet til brug af personer (herunder børn) med reducerede fysiske, sensoriske eller mentale færdigheder eller manglende nødvendig erfaring og viden.
- Denne maskine er designet til brug sammen med det rengøringsmiddel, som producenten leverer eller anbefaler. Brug af andre rengøringsmidler eller kemikalier kan negativt påvirke maskinens sikkerhed.
- Højtryksstråler kan være farlige, hvis de misbruges. Strålen må ikke rettes mod personer, strømførende elektrisk udstyr eller selve maskinen.
- Brug ikke maskinen inden for rækkevidde af personer, medmindre de bærer beskyttelsestøj.
- Ret ikke strålen mod dig selv eller andre for at rengøre tøj eller fodtøj.
- Risiko for eksplosion - sprøjt ikke med brændbare væsker.
- Højtryksrensere må ikke anvendes af børn eller uøvede personer.
- Højtryksslanger, fittings og sammenkoblinger er vigtige for maskinens sikkerhed. Brug kun slanger, fittings og sammenkoblinger, som producenten anbefaler.
- For at garantere maskinens sikkerhed må du kun bruge originale reservedele fra producenten, eller som er godkendt af producenten.
- Sørg altid for, at maskinen er slukket og taget ud af stikkontakten, før du udfører nogen form for arbejde på maskinen.
- Brug ikke maskinen, hvis en forsyningsledning eller vigtige dele af maskinen er beskadigede, for eksempel sikkerhedsanordninger, højtryksslanger, udløsergreb.
- Mangelfulde forlængerledninger kan være farlige. Hvis der anvendes en forlængerledning, skal den være egnet til udendørs brug, og forbindelsen skal holdes tør og fri af jorden. Det anbefales, at dette opnås ved hjælp af et ledningshjul, der holder stikkontakten mindst 60 mm over jorden.

- Sluk altid for hovedafbryderen til forsyningsnettet, når du lader maskinen være uden opsyn.
- Overhold det lokale vandværks krav.
- For lande i Europa:
I henhold til EN12729 (BA) må apparatet også sluttes til hoveddrikkevandsforsyningen, hvis der monteres en ventil til tilbage-løbssikring med afløbsfunktion i forsyningsslangen.






SPECIFIKATIONER

Model:	HW1200	HW1300
Maks. tilførselsvolumen	7,0 l/min	7,5 l/min
Vandgennemstrømningshastighed	5,5 l/min	6,0 l/min
Maks. tilladt tryk	12 MPa (120 bar)	13 MPa (130 bar)
Arbejdstryk	Høj tilstand	10 MPa (100 bar)
	Lav tilstand	-
Maks. tilførselstryk	1 MPa (10 bar)	
Maks. tilførselstemperatur	40°C	
Maks. sugehøjde	1,0 m	
Dimensioner (L x B x H)	292 mm x 358 mm x 830 mm	
Vægt	11,0 kg	12,7 kg
Motorbeskyttelse	IPX5	

- På grund af vores kontinuerlige forsknings- og udviklingsprogrammer kan hosstående specifikationer blive ændret uden varsel.
- Specifikationer kan variere fra land til land.
- Vægt i henhold til EPTA-Procedure 01/2003

Symboler

Følgende viser de symboler, der anvendes til udstyret. Vær sikker på, at De forstår betydningen af symbolerne før brugen.

	Læs betjeningsvejledningen.
	Udvis særlig forsigtighed og opmærksomhed.
	DOBBELT ISOLERING
	Kun for lande inden for EU Elektrisk udstyr må ikke bortskaffes sammen med almindelig husholdningsaffald! I henhold til det europæiske direktiv vedrørende håndtering af elektrisk og elektronisk affald og dets implementering i henhold til national lovgivning skal elektrisk udstyr, der har nået slutningen af dets levetid, indsamles separat og returneres til et genindvindingsanlæg, der overholder miljøkravene.
	Ret ikke strålen mod personer, herunder dig selv, dyr og strømførende elektrisk udstyr.



Ikke egnet til tilslutning til drikkevandsforsyningen.

Tilsigtet anvendelse

Denne maskine er beregnet til at fjerne fastgroet snavs ved hjælp af en vandstråle. Denne maskine er beregnet til husholdningsbrug.

Strømforsyning

Maskinen må kun tilsluttes en strømforsyning med samme spænding som angivet på typeskiltet og kan kun anvendes på enfaset vekselstrømforsyning. Den er dobbeltisoleret og kan derfor også tilsluttes netstik uden jordforbindelse.

For offentlige lavspændingsnet på mellem 220 V og 250 V

Tænd og sluk af elektriske apparater medfører spændingsvingninger. Anvendelse af denne maskine under ugunstige lysnetforsyningsforhold kan have negativ indflydelse på driften af andet udstyr. Ved en netimpedans svarende til eller mindre end 0,25 ohm, kan det antages, at der ikke vil være negative påvirkninger. Stikkontakten, der anvendes til denne maskine, skal være beskyttet med en sikring eller en beskyttelsesafbryder med træug udløsning.

Lyd

Det typiske A-vægtede støjniveau bestemt i overensstemmelse med EN60335-2-79:

Model HW1200

Lydtryksniveau (L_{pA}): 72 dB (A)

Usikkerhed (K): 3,8 dB (A)

Model HW1300

Lydtryksniveau (L_{pA}): 76 dB (A)

Usikkerhed (K): 2,4 dB (A)

Støjniveauet under arbejdet kan overskride 80 dB (A).

ADVARSEL: Bær høreværn.

Vibration

Vibrationens totalværdi (tre-aksial vektorsum) bestemt i overensstemmelse med EN60335-2-79:

Model HW1200

Vibrationsemission (a_h): 4,11 m/s²

Usikkerhed (K): 1,5 m/s²

Model HW1300

Vibrationsemission (a_h): 4,86 m/s²

Usikkerhed (K): 1,5 m/s²

BEMÆRK: Den angivne vibrationsemissionsværdier blevet målt i overensstemmelse med standardtestmetoden og kan anvendes til at sammenligne et værktøj med et andet.

BEMÆRK: Den angivne vibrationsemissionsværdien kan også anvendes i en præliminær eksponeringsvurdering.

ADVARSEL: Vibrationsemissionen under den faktiske anvendelse af værktøjet kan være forskellig fra den erklærede emissionsværdi, afhængigt af den måde, hvorpå værktøjet anvendes.

ADVARSEL: Sørg for at identificere de sikkerhedsforskrifter til beskyttelse af operatøren, som er baseret på en vurdering af eksponering under de faktiske brugsforhold (med hensyntagen til alle dele i brugscyklussen, f.eks. de gange, hvor værktøjet er slukket, og når det kører i tomgang i tilgift til afbrydertiden).

EU-overensstemmelseserklæring

Kun for lande i Europa

EU-overensstemmelseserklæringen er inkluderet som Bilag A i denne brugsanvisning.

SIKKERHEDSADVARSLER

ADVARSEL: Læs alle sikkerhedsadvarsler og alle sikkerhedsinstruktioner. Hvis nedenstående advarsler og instruktioner ikke overholdes, kan det medføre elektrisk stød, brand og/eller alvorlig personskade.

Gem alle advarsler og instruktioner til fremtidig reference.

Sikkerhed i arbejdsområdet

1. Hold alle personer ude af anvendelsesområdet.
2. Undlad at strække dig for langt eller at stå på ustabile støtter. Opbehold til enhver tid god fodfæste og balance.
3. Stil altid højtryksrensersens kabinet på en jævn og stabil overflade. Undgå steder, hvor det udstøtte vand løber eller samles.
4. Kontroller omgivelserne og de genstande, der skal rengøres, før rensningen. Højtryksstråler kan skrabe maling eller andre overfladebehandlingssmidler, herunder giftige kemikalier, væk. Træf om nødvendigt forebyggende forholdsregler.
5. Vær forsigtig med ikke at falde over højtryksrensersens ledning eller slange. Vær altid opmærksom på lednings- og slangekonfigurationen under brug.
6. Under brug løber der en smule vand ud fra under bunden af højtryksrenserseren. Undgå at placere højtryksrenserseren på steder, som ikke må blive våde.

Personlig sikkerhed

1. For at beskytte mod strålen og genstande, der blæses af strålen, skal operatører bære passende tøj som f.eks. sikkerhedsstøvler, sikkerhedshandsker, sikkerhedshjelm med visir, høreværn osv.
2. Brug ikke højtryksrenserseren inden for rækkevidde af personer, medmindre de bærer beskyttelsestøj.
3. For at reducere risikoen for personskade kræves der nøje overvågning, når produktet anvendes i nærheden af børn.
4. Vand, der er løbet ud af tilbageløbssikringen, må ikke drikkes.

Elektrisk sikkerhed

1. Brug aldrig højtryksrenserseren udenfor i regnvej.
2. Rør aldrig ved stikket og/eller stikkontakten med våde hænder.
3. Brug ikke maskinen, hvis forsyningsledningen eller vigtige dele af maskinen er beskadigede, for eksempel sikkerhedsanordninger, højtryks-slanger eller udløsergrebet.
4. Stikket skal svare til stikkontakten. Du må aldrig ændre stikket på nogen måde. Brug ikke nogen form for stikadaptere sammen med jordforbundne maskiner. Et uændret stik og en stikkontakt, der passer til det, mindsker risikoen for elektrisk stød.
5. Mangelfulde forlængerledninger kan være farlige. Hvis der anvendes en forlængerledning, skal den være egnet til udendørs brug, og forbindelsen skal holdes tør og fri af jorden. Det anbefales, at dette opnås ved hjælp af et ledningshjul, der holder stikkontakten mindst 60 mm over jorden.

6. Bemærk følgende ved brug af forlængerledninger:
 - Brug kun forlængerledninger, der er beregnet til udendørs brug.
 - Brug kun forlængerledninger med en elektrisk dimensionering, der er større end eller lig med produktets dimensionering.
 - Anvend ikke beskadigede forlængerledninger.
 - Kontroller forlængerledninger før brugen, og udskift dem, hvis de er beskadigede.
 - Undgå at overbelaste forlængerledninger, og træk ikke i ledninger for at frakoble dem.
 - Hold ledninger væk fra varme og skarpe kanter.
 - Frakobl altid forlængerledningen fra stikkontakten, før du frakobler produktet fra forlængerledningen.
7. Tilslutningen af den elektriske strømforsyning skal foretages af en kvalificeret elektriker og overholde IEC 60364-1. Det anbefales, at den elektriske strømforsyning til denne maskine skal inkludere enten en kortslutningsafbryder, der afbryder strømmen, hvis afledningsstrømmen til jord overskrider 30 mA i 30 ms, eller en enhed, der sørger for jordforbindelse.

Brug og vedligeholdelse af maskinen

1. Læs alle instruktioner, før du bruger produktet.
2. Vær klar over, hvordan du stopper højtryksrensere og hurtigt aflader trykket. Vær helt bekendt med kontrollerne.
3. Højtryksstråler kan være farlige, hvis de misbruges. Strålen må ikke rettes mod personer, strømførende elektrisk udstyr eller selve maskinen.
4. Denne maskine er ikke beregnet til brug af personer (herunder børn) med reducerede fysiske, sensoriske eller mentale færdigheder eller manglende nødvendig erfaring og viden.
5. Børn skal overvåges for at sikre, at de ikke leger med apparatet.
6. Sprøjt ikke brændbare og/eller giftige væsker. Dette kan medføre eksplosion, forgiftning eller beskadigelse af maskinen.
7. Ret ikke strålen mod dig selv eller andre for at rengøre tøj eller fodtøj.
8. Højtryksslanger, fittings og sammenkoblinger er vigtige for maskinens sikkerhed. Brug kun slanger, fittings og sammenkoblinger, som producenten anbefaler.
9. Følg instruktionerne ved udskiftning af tilbehør.
10. Hold håndtag tørre, rene og fri for olie og fedt.
11. Vær opmærksom - hold øje med det, du foretager dig.
12. Anvend ikke produktet, hvis du er træt eller påvirket af alkohol eller narkotika.
13. Lad ikke højtryksrensere køre uden vand i mere end ét minut. Dette vil beskadige motoren og medføre fejlfunktion.

14. Sluk altid for strømmen, og afbryd vandforsyningen, når du lader højtryksrensere ligge uovervåget.
15. Vær opmærksom på tilbageslag. Udløsergrebet slår tilbage, når højtryksstrålen udsendes fra dysen. Hold godt fast i udløsergrebet for at undgå personskader ved uheld.
16. Kontroller for beskadigede eller slidte dele før brugen. Kontroller også, at slangen er tilkoblet korrekt, og at der ikke er lækage under brugen. Brug af maskinen med funktionsdefekter kan medføre en ulykke.
17. Denne maskine er designet til brug sammen med det rengøringsmiddel, som producenten leverer eller anbefaler. Brug af andre rengøringsmidler eller kemikalier kan negativt påvirke maskinens sikkerhed.
18. Undlad at trække i ledningen og/eller slangen for at flytte højtryksrensers kabinet. Dette vil beskadige ledningen, slangen og tilkoblingsdelene og medføre kortslutning eller funktionsfejl.
19. Undlad at stille tunge genstande oven på slangen eller at lade køretøjer køre over den.
20. Udløs altid resttrykket i udløsergrebet, før du frakobler slangen.
21. Når slangen kobles til vandforsyningen, skal du overholde det lokale vandforsyningsselskabs eller vandværks instruktioner.

Service

1. Følg de vedligeholdelsesinstruktioner, der er angivet i denne brugsanvisning.
2. For at garantere maskinens sikkerhed må du kun bruge originale reservedele fra producenten, eller som er godkendt af producenten.
3. Få udført service på højtryksrensere hos en kvalificeret mekaniker, og brug kun identiske udskiftningsdele. Dette sikrer, at højtryksrensers sikkerhed opretholdes.
4. Hvis der opstår nedbrud eller fejlfunktion i højtryksrensere, skal du med det samme slukke for den og tage stikket ud af stikkontakten. Kontakt din lokale forhandler eller dit lokale servicecenter.

GEM DENNE BRUGSANVISNING.

⚠ ADVARSEL: LAD IKKE bekvemmelighed eller kendskab til produktet (opnået gennem gentagen brug) forhindre, at sikkerhedsforskrifterne for produktet nøje overholdes.

MISBRUG eller forsømmelse af at følge de i denne brugsvejledning givne sikkerhedsforskrifter kan føre til, at De kommer alvorligt til skade.

FUNKTIONSBESKRIVELSE

⚠️FORSIGTIG: Kontrollér altid, at maskinen er slået fra, og at netstikket er trukket ud, før der udføres justeringer, eller funktioner kontrolleres på maskinen.

Afbryderknap

BEMÆRKNING: Drej ikke afbryderknappen med magt. Dette kan medføre fejlfunktion i knappen.

For HW1200

► Fig.1: 1. FRA-position 2. TIL-position

Drej afbryderknappen i retningen med uret for at tænde for højtryksrenseren.

For HW1300

Drej afbryderknappen i retningen med eller mod uret, afhængigt af trykniveauet. Drej afbryderknappen i retningen med uret for højtrykstilstand eller mod uret for lavtrykstilstand.

► Fig.2: 1. Lavtrykstilstand 2. FRA-position
3. Højtrykstilstand

Dysefunktioner

Vario-Power sprøjtelse

► Fig.3

Strålens tryk kan justeres ved at dreje dysen.

⚠️FORSIGTIG: Når du justerer strålens tryk, må du ikke dreje dysen, mens du trækker den mod udløsergrebet. Dysen kan falde af udløsergrebet og forårsage personskade.

Smudsblæser

► Fig.4

Der sendes en spiralformet stråle. Egnet til at fjerne fastgroet snavs.

BEMÆRKNING: Brug ikke smudsblæseren til at rengøre skrøbelige flader som vinduer eller bilkarosserier.

Skumdysse

► Fig.5

Rengøringsmiddel kan sprøjtes som skum.

Udløserbetjening

Tryk på udløseren for at udsende en vandstråle. Strålen fortsætter, så længe der trykkes på udløseren. Udløseren kan låses med henblik på sikker håndtering af udløsergrebet. Du låser udløseren ved at trække stopperen ud og låse den i rillen på grebet.

► Fig.6: 1. Stopper 2. Rille

BEMÆRKNING: For at undgå mekanisk fejl i trykkontakten skal du lade to sekunder gå mellem betjening af udløseren.

Sikkerhedsventil

Dette apparat er udstyret med en sikkerhedsventil, der forebygger unødigt overtryk. Når udløseren slippes, åbnes ventilen, og vandet cirkulerer tilbage gennem pumpeindløbet.

⚠️FORSIGTIG: Undlad at ændre eller justere sikkerhedsventilens indstilling.

Slangehjul

Kun for HW1300

Når du vil spole slangen af, skal du først tage enden af slangen ud af spærhagen. Fold håndtaget ud, og drej det i retningen med uret. Spol altid slangen af hele vejen til enden ved brug af højtryksrenseren.

► Fig.7: 1. Slangehjul 2. Håndtag 3. Enden af slangen

Når du vil opbevare slangen, skal du dreje håndtaget i retningen mod uret og fastgøre enden af slangen.

► Fig.8: 1. Spærhage 2. Håndtag

Tilførsel af vand fra en beholder eller et reservoir

Ekstraudstyr

Du kan tilføre vand fra en beholder eller et reservoir i stedet for en vandhane.

Udskift tilkoblingen på vandslangen med sugeslangesættet (ekstraudstyr). Ved tilkobling af sugeslangesættet skal du frakoble filterhuset fra slangen og montere det på indløbet på højtryksrenseren. Kobl derefter slangen til filterhuset.

► Fig.9: 1. Beholder/reservoir 2. Sugelangsesæt
3. Tilkobling på vandslange 4. Slange
5. Filterhus 6. Indløb på højtryksrenser

BEMÆRKNING: Benyt altid Makitas sugelangsesæt.

BEMÆRKNING: Hold altid en højde på 1,0 m (3,28 ft) eller derunder mellem indløbet på højtryksrenseren og vandoverfladen. Ellers kan højtryksrenseren ikke suge vandet op i pumpen.

For at suge vand ind i slangen skal du fjerne dysen fra udløsergrebet og tænde for højtryksrenseren, mens der trykkes på udløseren. Når der konstant sprøjtes vand ud af udløsergrebet, skal du slippe udløseren og montere den dysse, der skal benyttes til formålet.

► Fig.10: 1. Udløsergreb

BEMÆRK: Hvis der ikke sprøjtes vand ud, skal du frakoble sugelangsesættet og fylde det med vand. Kobl det derefter til højtryksrenseren igen.

► Fig.11: 1. Sugelangsesæt

SAMLING

⚠️FORSIGTIG: Sørg altid for, at maskinen er slukket og taget ud af forbindelse, inden der udføres nogen form for arbejde på maskinen.

Montering af bærehåndtaget

Kun for HW1200

1. Saml den forreste og bageste halvdel af håndtaget ved at justere skruehullerne på højtryksrensersens kabinet.

► **Fig.12:** 1. Forreste halvdel af håndtaget 2. Bageste halvdel af håndtaget 3. Højtryksrensersens kabinet

2. Fastgør bærehåndtaget med skruer (7 stk.).

► **Fig.13**

Tilslutning af højtryksslangen

Kun for HW1200

Tilslut højtryksslangen til udløbet (med pistolmærket). Drej møtrikken på højtryksslangen i retningen med uret, mens du skruer den på skruegevindet på udløbet.

► **Fig.14:** 1. Udløb 2. Møtrik

⚠FORSIGTIG: Sørg for, at højtryksslangen er fast tilkoblet. En løs forbindelse kan blæse højtryksslangen af, hvilket kan medføre personskaade.

Montering af udløsergrebet

Tilslut højtryksslangen til indløbet på udløsergrebet. Drej møtrikken på højtryksslangen i retningen med uret, mens du skruer den på skruegevindet på indløbet.

► **Fig.15:** 1. Indløb 2. Møtrik

⚠FORSIGTIG: Sørg for, at højtryksslangen er fast tilkoblet. En løs forbindelse kan blæse højtryksslangen af, hvilket kan medføre personskaade.

Tilslutning til en vandhane

⚠FORSIGTIG: Brug altid en trykmodstandsdygtig vandslange med en diameter på $\varnothing 13$ mm eller derover, og kobl den til vandhanen ved hjælp af korrekte fittings. Ellers kan vandslangen og/eller fittingen gå i stykker og medføre personskaade.

BEMÆRKNING: Brug en trykmodstandsdygtig vandslange, der er så kort som muligt. Mængden af indsuget vand skal være større end pumpens maksimale tilførselsvolumen.

BEMÆRKNING: Hvis du tilkobler til drikkevandsforsyningen, skal du benytte en ventil til tilbageløbssikring, der overholder lovgivningen i dit område.

Forbered en trykmodstandsdygtig vandslange. Monter koblingsmuffen i den ene ende, og kobl den anden ende til vandhanen på følgende måde.

1. Fjern møtrikken på koblingsmuffen, og før den trykmodstandsdygtige vandslange gennem møtrikken. Sæt enden af slangen i koblingsmuffen, og stram derefter møtrikken.

► **Fig.16:** 1. Trykmodstandsdygtig vandslange 2. Møtrik på koblingsmuffen 3. Koblingsmuffe

BEMÆRK: Hvis du kobler den trykmodstandsdygtige vandslange til vandhanen ved hjælp af en koblingsmuffe, skal du koble den til begge ender af slangen.

2. Kobl den trykmodstandsdygtige vandslange til vandhanen. Anvend en passende fitting som f.eks. et slangebånd eller en vandhanesamling til at fastgøre slangeenden på vandhanen.

► **Fig.17:** 1. Slangebånd 2. Vandhanesamling 3. Trykmodstandsdygtig vandslange

BEMÆRK: Fittingen afhænger af formen på den vandhane, du tilkobler til. Forbered en passende kommercielt tilgængelig fitting.

3. Monter tilkoblingen på vandslangen på indløbet (med vandhanemærket), og indsæt derefter koblingsmuffen.

► **Fig.18:** 1. Koblingsmuffe 2. Tilkobling på vandslange 3. Indløb

Montering/afmontering af dysen

⚠FORSIGTIG: Lås altid udløseren, når du monterer/afmonterer dysen.

Sæt enden af dysen ind i åbningen på udløsergrebet, og drej den i pilens retning som vist i figuren. For at afmontere skal du dreje dysen i den modsatte retning, mens du trykker den mod udløsergrebet.

► **Fig.19:** 1. Udløsergreb 2. Åbning 3. Enden af dysen

Nogle dyser, der fås som tilbehør, skal have monterings-samlingen (ekstraudstyr) for at kunne monteres på udløsergrebet. Monter monterings-samlingen på udløsergrebet på samme måde som dysen.

► **Fig.20:** 1. Dyse 2. Monterings-samling 3. Udløsergreb

BEMÆRK: Monterings-samlingen er påkrævet til brug af de dyser, der følger med en anden model, HW112 eller HW121.

Montering af skumdysen

⚠FORSIGTIG: Lås altid udløseren, når du monterer/afmonterer dysen.

Forbered et rengøringsmiddel, før du bruger skumdysen.

1. Fjern dysen fra beholderen ved at dreje dysen i retningen mod uret. Monter dysen på udløsergrebet.

► **Fig.21:** 1. Dyse 2. Udløsergreb

2. Hæld rengøringsmidlet i beholderen, og monter den på dysen.

► **Fig.22:** 1. Beholder

BEMÆRKNING: Brug altid et neutralt rengøringsmiddel. Sure eller basiske rengøringsmidler kan beskadige beholderen eller dysen.

ANVENDELSE

⚠ ADVARSEL: Undlad at berøre vandstrålen eller at rette den mod dig selv eller andre. Vandstrålen er farlig og kan skade dig selv eller andre.

⚠ ADVARSEL: Når vandstrålen udsendes, må du aldrig holde den genstand, du renser, eller placere dine hænder eller fødder i nærheden af vandstrålen.

⚠ FORSIGTIG: Vær opmærksom på tilbageslaget af vandstrålen og blæste genstande. Placer ikke dysen tættere på end 30 cm.

⚠ FORSIGTIG: Lad ikke højtryksrenseren køre uden vand i mere end 1 minut.

⚠ FORSIGTIG: Brug ikke højtryksrenseren i længere tid ad gangen. Dette kan medføre overophedning eller brand. Længerevarende brug kan også medføre vibrationsfejl.

⚠ FORSIGTIG: Vær opmærksom på vindens retning. Hvis du får rengøringsmiddel i øjnene eller munden, skal du med det samme skylle med rent vand og om nødvendigt søge læge.

BEMÆRKNING: Undlad at bruge højtryksrenseren i mere end 1 time. Efter 1 times brug skal du holde en lige så lang pause.

1. Kobl enden af højtryksslangen til udløsergrebet. For HW1200 skal du koble den anden ende til højtryksrenseren. For HW1300 skal du rulle slangen ud helt til enden.
2. Tilslut højtryksrenseren til vandhanen, og åbn derefter for vandhanen.
► Fig.23

BEMÆRKNING: For at beskytte højtryksrensens mekanisme må du ikke bruge vand, der er varmere end 40°C.

3. Slut højtryksrenseren til stikkontakten, og tænd for den.
► Fig.24: 1. Afbryderknop
4. For at udsende en vandstråle skal du låse stopperen op og trykke på udløseren. Strålen fortsætter, så længe der trykkes på udløseren.
► Fig.25: 1. Stopper

⚠ FORSIGTIG: Hold godt fast i udløsergrebet. Udløsergrebet slår tilbage, når du trykker på udløseren.

⚠ FORSIGTIG: Hold altid udløsergrebet i grebet og cylinderen under rensning. Når motoren kører, må du ikke berøre nogen anden del af højtryksrensersens kabinet end bærehåndtaget og afbryderknappen.

BEMÆRKNING: Pas på ikke at trække i udløsergrebet med magt under brugen. Dette kan få højtryksrenseren til at vælte.

Efter brug

⚠ FORSIGTIG: Følg altid den procedure, der er beskrevet i denne manual, efter brugen. Resttryk i udløsergrebet eller højtryksrenseren kan medføre personskaade eller indvendig skade på pumpen.

1. Lad afbryderknappen være slået til efter brugen.
2. Luk for vandhanen, og tag vandslangen ud af højtryksrenseren.
► Fig.26
3. Tryk på udløseren, indtil det resterende vand i højtryksrenseren er udtømt.
Lad ikke motoren køre i mere end 1 minut.
► Fig.27
4. Sluk for højtryksrenseren, og tag den ud af stikkontakten.
► Fig.28: 1. Afbryderknop
5. Afmonter højtryksslangen fra udløsergrebet.
► Fig.29: 1. Udløsergreb 2. Højtryksslange

For HW1200 skal du også tage højtryksslangen ud af højtryksrenseren.

► Fig.30: 1. Højtryksslange

For HW1300 skal du rulle slangen op og fastgøre enden af slangen.

► Fig.31: 1. Spærhage 2. Håndtag

BEMÆRKNING: For at undgå beskadigelse af højtryksslangen skal du fjerne det resterende vand i slangen før opbevaringen.

VEDLIGEHOVELSE og OPBEVARING

⚠ FORSIGTIG: Kontrollér altid, at der er slukket for maskinen, og at netstikket er trukket ud, før der udføres eftersyn eller vedligeholdelse.

BEMÆRKNING: Anvend aldrig benzin, rensebenzin, fortynder, alkohol og lignende. Det kan medføre misfarvning, deformation eller revner.

Rengøring af dysen

Anvend en rensespind til at fjerne snavs eller blokeringer fra dysen.

► Fig.32: 1. Rensespind

BEMÆRKNING: Fjern ikke snavs eller rester med magt. Dette kan medføre personskaade eller beskadigelse af udgangshullet og medføre skæve strålevinkler eller dårlig ydeevne.

Rengøring af filteret

Afmonter tilkoblingen på vandslangen, og fjern snavs og rester fra filterets inderside.

- **Fig.33:** 1. Tilkobling på vandslange 2. Filter
3. Tætningsring

Ved brug af sugeslangesættet (ekstraudstyr) skal du tage filteret ud af filterhuset og fjerne snavs og rester.

- **Fig.34:** 1. Filter 2. Filterhus

BEMÆRK: Rengør filteret regelmæssigt for at opretholde optimal ydeevne.

Opbevaring

Rul slangen og ledningen op. Sæt udløsergrebet og dyserne i lommerne.

HW1200

- **Fig.35**

HW1300

- **Fig.36**

⚠FORSIGTIG: Opbevar altid på en indendørs placering, hvor temperaturen ikke kommer under frysepunktet. Kontakt det lokale servicecenter for reparation, hvis højtryksrenseren fryser og går i stykker.

⚠FORSIGTIG: Brug altid bærehåndtaget, når du flytter højtryksrenseren. Undlad at bære den i slangen eller ledningen. Slangen eller ledningen kan blive beskadiget.

⚠FORSIGTIG: Undlad at bære højtryksrenseren med slangen og/eller ledningen rullet ud. Den udrullede slange eller ledning kan blive beskadiget eller viklet ind i andre genstande og medføre personskaade eller beskadigelse.

For at opretholde produktets SIKKERHED og PÅLIDELIGHED må reparation, vedligeholdelse eller justering kun udføres af et autoriseret Makita servicecenter eller fabriksservicecenter med anvendelse af Makita reservedele.

FEJLFINDING

Udfør selv en inspektion, inden De anmoder om reparation. Hvis De opdager et problem, som ikke er forklaret i brugsanvisningen, må De ikke forsøge at adskille maskinen. Rådfør Dem i stedet med et autoriseret Makita Servicecenter, og brug altid originale Makita udskiftningsdele til reparationer.

Unormal tilstand	Sandsynlig årsag (fejl)	Afhjælpning
Renseren starter ikke.	Ingen elektricitet	Sæt stikket i stikkontakten. Kontroller også, om der er elektricitet i stikkontakten.
	Afbryderen er ikke aktiveret.	Tænd for afbryderen.
	Resttryk i pumpen	Tryk på udløseren.
	Beskadiget ledning eller elektrisk kredsløb	Kontakt et autoriseret servicecenter for reparation.
Ingen vandstråle / svag vandstråle	Ingen vandforsyning	Kontroller, at vandhanen er åben. Hvis du bruger sugeslangesættet, skal du komme vand i slangen.
	Dårlig vandforsyning	Tænd for vandhanen.
	Dårlig tilkobling af vandslange	Kontroller tilkoblingen mellem vandslangen og vandhanen og indløbet på højtryksrenseren.
	Tilstoppet slange, filter eller dyse	Fjern blokeringen af slangen, filteret eller dysen.
	Luft blokerer for vandgennemstrømningen.	Sluk på afbryderen, og tænd derefter for den igen, mens du trykker på udløseren.
	Beskadiget eller slidt dyse	Udskift dysen.
Ustabil vandstråle.	Fejlfunktion i pumpe eller ventil	Kontakt et autoriseret servicecenter for reparation.
	Tilstoppet dyse	Fjern blokeringen i udgangshullet på dysen ved hjælp af rensespinden.
	Dårlig vandsugning	Kontroller vandslangen begyndende ved vandhanen for eventuel lækage eller tilstopning. Tænd for vandhanen.
	Vandet er for varmt.	Tilfør koldere vand.
Unormal lyd.	Funktionsfejl i ventilen	Kontakt et autoriseret servicecenter for reparation.
	Vandet er for varmt.	Tilfør koldere vand.
Vand-/olielækage.	Luft kan ikke komme ud af pumpen.	Kontakt et autoriseret servicecenter for reparation.
	Dårlig forbindelse	Kontroller tilkoblingen mellem højtryksslangen og udløsergrebet og højtryksrenseren.
Pumpen kører ikke, selvom der høres motorlyd.	Slidte tætninger	Kontakt et autoriseret servicecenter for reparation.
	Uegnet forlængerledning.	Brug en forlængerledning, der passer til produktets dimensionering.

EKSTRAUDSTYR

⚠️FORSIGTIG: Det følgende tilbehør og ekstraudstyr er anbefalet til brug med Deres Makita maskine, der er beskrevet i denne brugsanvisning. Anvendelse af andet tilbehør eller ekstraudstyr kan udgøre en risiko for personskade. Anvend kun tilbehør og ekstraudstyr til det beskrevne formål.

Hvis De behøver hjælp ved valg af tilbehør eller ønsker yderligere informationer, bedes De kontakte Deres lokale Makita servicecenter.

BEMÆRK: Nogle ting på denne liste kan være inkluderet i værktøjspakken som standardtilbehør. Det kan være forskellige fra land til land.

Sprøjtelanse

► Fig.37

Strålens bredde kan justeres fra 0° til 25° ved at dreje dysens forende.

⚠️FORSIGTIG: Når du justerer strålens bredde, må du ikke dreje dysen, mens du trækker den mod udløsergrebet. Dysen kan falde af udløsergrebet og forårsage personskade.

Vaskebørste (lang)

► Fig.38

En dyse, der er udstyret med en børste. Nyttig til at vaske snavs væk, mens der skrubbes med børsten.

Sugeslangesæt

► Fig.39

Udskift vandslangen med dette sæt for at tilføre vand fra en beholder eller et reservoir.

Roterende vaskebørste

► Fig.40

Tre børster inden i roterer langsomt, mens strålen sprøjtes ud. Egnede til at fjerne let snavs på en udvendig væg, en bil, et badekar osv.

Lanseforlænger

► Fig.41

Rør til at forlænge udløsergrebet. Røret kan indstilles til tre forskellige længder ved at ændre det antal rør, der benyttes.

Sprøjtelanse til underkarosseri

► Fig.42

En ekstra lang sprøjtelanse med vinkelformet dyse. Bedst til at rengøre steder, der er svære at komme til, for eksempel underkarosseriet på en bil og tagrender.

⚠️FORSIGTIG: Undlad at bruge sprøjtelansen til underkarosseri sammen med lanseforlængeren.

Stænkskærm

► Fig.43

Reducerer tilbagestænk ved rengøring af hjørner med smudsblæseren.

Swingsamling

► Fig.44

Forhindrer, at højtryksslangen bliver snoet.

Monteringssamling

► Fig.45

En samling til at tilkoble en dyse fra en anden model.

BEMÆRK: Monteringssamlingen er påkrævet til brug af de dyser, der følger med en anden model, HW112 eller HW121.

Rørrensesæt (10 m/15 m)

► Fig.46

Til rengøring og fjernelse af blokeringer i vandrør og nedløbsrør.

⚠️FORSIGTIG: Vær især opmærksom på vandstrålen, når du bruger rørrensesættet. En højintens vandstråle sprøjtes bagud.

Højtryksforlængerslange (5 m/8 m/10 m)

► Fig.47

Forlængerslange til at koble højtryksrensens kabinet til udløsergrebet.

ΠΡΟΕΙΔΟΠΟΙΗΣΗ

- Τα μηχανήματα δεν πρέπει να χρησιμοποιούνται από παιδιά. Τα παιδιά θα πρέπει να επιτηρούνται για να εξασφαλιστεί ότι δεν παίζουν με το μηχάνημα.
- Το μηχάνημα αυτό δεν προορίζεται για χρήση από άτομα (συμπεριλαμβανομένων των παιδιών) με μειωμένες σωματικές, αισθητήριες ή διανοητικές ικανότητες, ή από άτομα που δεν έχουν πείρα και γνώσεις.
- Αυτό το μηχάνημα έχει σχεδιαστεί για χρήση με το καθαριστικό μέσο που παρέχεται ή που συστήνει ο κατασκευαστής. Η χρήση άλλων καθαριστικών μέσων ή χημικών μπορεί να επηρεάσει αρνητικά την ασφάλεια του μηχανήματος.
- Οι δέσμες υψηλής πίεσης μπορεί να είναι επικίνδυνες αν χρησιμοποιούνται λανθασμένα. Η δέσμη δεν πρέπει να κατευθύνεται σε άτομα, σε ηλεκτροφόρο ηλεκτρικό εξοπλισμό ή στο ίδιο το μηχάνημα.
- Μη χρησιμοποιείτε το μηχάνημα κοντά σε ανθρώπους, εκτός αν αυτοί φορούν προστατευτικό ρουχισμό.
- Μην κατευθύνετε τη δέσμη επάνω σας ή προς άλλους, για να καθαρίσετε ρούχα ή υποδήματα.
- Κίνδυνος έκρηξης - Μην ψεκάζετε εύφλεκτα υγρά.
- Τα καθαριστικά μηχανήματα υψηλής πίεσης δεν πρέπει να χρησιμοποιούνται από παιδιά ή ανεκπαιδευτο προσωπικό.
- Οι εύκαμπτοι σωλήνες υψηλής πίεσης, οι συνδέσεις και οι συζεύξεις είναι σημαντικοί για την ασφάλεια του μηχανήματος. Να χρησιμοποιείτε μόνο εύκαμπτους σωλήνες, συνδέσεις και συζευκτικές που συνιστά ο κατασκευαστής.
- Για να διατηρήσετε την ασφάλεια του μηχανήματος, να χρησιμοποιείτε μόνο γνήσια ανταλλακτικά από τον κατασκευαστή ή ανταλλακτικά που έχει εγκρίνει ο κατασκευαστής.
- Να βεβαιώνετε πάντα ότι το εργαλείο είναι σβηστό και αποσυνδεδεμένο από την πρίζα πριν εκτελέσετε οποιαδήποτε εργασία στο εργαλείο.
- Μη χρησιμοποιείτε το μηχάνημα αν το καλώδιο τροφοδοσίας ή σημαντικά εξαρτήματα του μηχανήματος παρουσιάζουν ζημιά, π.χ. συσκευές ασφάλειας, εύκαμπτοι σωλήνες υψηλής πίεσης, πιστόλι με σκανδάλη.

- Τα ανεπαρκή καλώδια προέκτασης μπορεί να είναι επικίνδυνα. Αν χρησιμοποιηθεί καλώδιο προέκτασης, θα πρέπει να είναι κατάλληλο για χρήση σε εξωτερικό χώρο και η σύνδεση θα πρέπει να διατηρείται στεγνή και εκτός του εδάφους. Συνιστάται να επιτευχθεί αυτό με ένα καρούλι καλωδίου που διατηρεί την πρίζα τουλάχιστον 60 mm πάνω από το έδαφος.
- Να απενεργοποιείτε πάντα το διακόπτη αποσύνδεσης από την κεντρική ηλεκτρική παροχή όταν αφήνετε το μηχάνημα ανεπιτήρητο.
- Συμμορφωθείτε με τις απαιτήσεις της τοπικής εταιρίας παροχής νερού.
- Για ευρωπαϊκές χώρες:
Σύμφωνα με το πρότυπο EN12729 (BA), η συσκευή μπορεί επίσης να συνδεθεί με την κεντρική παροχή πόσιμου νερού εάν τοποθετηθεί βαλβίδα αποφυγής αντίστροφης ροής με δυνατότητα αποστράγγισης στον εύκαμπτο σωλήνα παροχής.

ΠΡΟΔΙΑΓΡΑΦΕΣ

Μοντέλο:	HW1200	HW1300
Μέγ. όγκος τροφοδοσίας	7,0 l/min	7,5 l/min
Παροχή νερού	5,5 l/min	6,0 l/min
Μέγ. επιτρεπτή πίεση	12 MPa (120 bar)	13 MPa (130 bar)
Πίεση εργασίας	Τρόπος υψηλής λειτουργίας	10 MPa (100 bar)
	Τρόπος χαμηλής λειτουργίας	11 MPa (110 bar)
	-	8 MPa (80 bar)
Μέγ. πίεση τροφοδοσίας	1 MPa (10 bar)	
Μέγ. θερμοκρασία τροφοδοσίας	40°C	
Μέγ. ύψος αναρρόφησης	1,0 m	
Διαστάσεις (Μ x Π x Υ)	292 mm x 358 mm x 830 mm	
Βάρος	11,0 kg	12,7 kg
Προστασία μοτέρ	IPX5	

- Λόγω του συνεχόμενου προγράμματος που εφαρμόζουμε για έρευνα και ανάπτυξη, τα τεχνικά χαρακτηριστικά στο παρόν έντυπο υπόκεινται σε αλλαγή χωρίς προειδοποίηση.
- Τα τεχνικά χαρακτηριστικά μπορεί να διαφέρουν από χώρα σε χώρα.
- Βάρος σύμφωνα με διαδικασία EPTA 01/2003

Σύμβολα

Παρακάτω παρουσιάζονται τα σύμβολα που χρησιμοποιούνται για τον εξοπλισμό. Βεβαιωθείτε ότι κατανοείτε τη σημασία τους πριν από τη χρήση.



Διαβάστε το εγχειρίδιο οδηγιών.



Απαιτούνται ιδιαίτερη φροντίδα και προσοχή.



ΔΙΠΛΗ ΜΟΝΩΣΗ



Μόνο για τις χώρες της ΕΕ
Μην απορρίπτετε ηλεκτρικό εξοπλισμό μαζί με τα οικιακά απορρίμματα! Σύμφωνα με την Ευρωπαϊκή Οδηγία σχετικά με απόβλητο ηλεκτρικό και ηλεκτρονικό εξοπλισμό και την ενσωμάτωσή της στην εθνική νομοθεσία, ο ηλεκτρικός εξοπλισμός που έχει φτάσει το τέλος ζωής του πρέπει να συλλέγεται ξεχωριστά και να επιστρέφεται σε περιβαλλοντικά συμβατές εγκαταστάσεις ανακύκλωσης.



Μην κατευθύνετε τη δέσμη προς άτομα, συμπεριλαμβανομένου και του εαυτού σας, ζώων και ηλεκτροφόρου ηλεκτρικού εξοπλισμού.



Δεν είναι κατάλληλο για σύνδεση με την κεντρική παροχή πόσιμου νερού.

Προοριζόμενη χρήση

Το εργαλείο αυτό προορίζεται για τον καθαρισμό επίμονης βρομιάς με τη χρήση δέσμης νερού. Το εργαλείο αυτό προορίζεται για οικιακή χρήση.

Ηλεκτρική παροχή

Το εργαλείο πρέπει να συνδέεται μόνο με ηλεκτρική παροχή της ίδιας τάσης με αυτή που αναγράφεται στην πινακίδα ονομαστικών τιμών και μπορεί να λειτουργήσει μόνο με εναλλασσόμενο μονοφασικό ρεύμα. Υπάρχει διπλή μόνωση και κατά συνέπεια, μπορεί να γίνει σύνδεση σε ακροδέκτες χωρίς σύρμα γείωσης.

Για δημόσια συστήματα διανομής ηλεκτρικού ρεύματος χαμηλής τάσης μεταξύ 220 V και 250 V

Η αλλαγή λειτουργιών ηλεκτρικής συσκευής προκαλεί διακυμάνσεις τάσης. Η λειτουργία αυτής της συσκευής κάτω από άσχημες συνθήκες παροχής ηλεκτρικού ρεύματος μπορεί να έχει δυσμενή αποτελέσματα στη λειτουργία άλλου εξοπλισμού. Με μια σύνθετη αντίσταση ίση ή μικρότερη από 0,25 Ω, μπορεί να θεωρηθεί πιθανό ότι δεν θα προκύψουν αρνητικά αποτελέσματα. Η υποδοχή παροχής ρεύματος για την συσκευή αυτή πρέπει να προστατεύεται από μια ασφάλεια ή ένα προστατευτικό κύκλωμα διακόπτη που να έχει αργά χαρακτηριστικά αποσύνδεσης.

Θορύβος

Το τυπικό Α επίπεδο καταμετρημένου θορύβου καθορίζεται σύμφωνα με το EN60335-2-79:

Μοντέλο HW1200

Στάθμη ηχητικής πίεσης (L_{pA}): 72 dB (A)
Αβεβαιότητα (K): 3,8 dB (A)

Μοντέλο HW1300

Στάθμη ηχητικής πίεσης (L_{pA}): 76 dB (A)
Αβεβαιότητα (K): 2,4 dB (A)

Η ένταση θορύβου υπό συνθήκες εργασίας μπορεί να υπερβεί τα 80 dB (A).

ΠΡΟΕΙΔΟΠΟΙΗΣΗ: Να φοράτε ωτοασπίδες.

Κραδασμός

Η ολική τιμή δόνησης (άθροισμα τρι-αξονικού διανύσματος) καθορίζεται σύμφωνα με το EN60335-2-79:

Μοντέλο HW1200

Εκπομπή δόνησης (a_{h1}): 4,11 m/s²
Αβεβαιότητα (K): 1,5 m/s²

Μοντέλο HW1300

Εκπομπή δόνησης (a_{h1}): 4,86 m/s²
Αβεβαιότητα (K): 1,5 m/s²

ΠΑΡΑΤΗΡΗΣΗ: Η δηλωμένη τιμή εκπομπής κραδασμών έχει μετρηθεί σύμφωνα με την πρότυπη μέθοδο δοκιμής και μπορεί να χρησιμοποιηθεί για τη σύγκριση ενός εργαλείου με άλλο.

ΠΑΡΑΤΗΡΗΣΗ: Η δηλωμένη τιμή εκπομπής κραδασμών μπορεί να χρησιμοποιηθεί και στην προκαταρκτική αξιολόγηση έκθεσης.

ΠΡΟΕΙΔΟΠΟΙΗΣΗ: Η εκπομπή κραδασμών κατά τη χρήση του ηλεκτρικού εργαλείου σε πραγματικές συνθήκες μπορεί να διαφέρει από τη δηλωμένη τιμή εκπομπής ανάλογα με τον τρόπο χρήσης του εργαλείου.

ΠΡΟΕΙΔΟΠΟΙΗΣΗ: Φροντίστε να λάβετε τα κατάλληλα μέτρα προστασίας του χειριστή βάσει ενός υπολογισμού της έκθεσης σε πραγματικές συνθήκες χρήσης (λαμβάνοντας υπόψη όλες τις συνιστώσες του κύκλου λειτουργίας όπως τους χρόνους που το εργαλείο είναι εκτός λειτουργίας και όταν βρίσκεται σε αδρανή λειτουργία πέραν του χρόνου ενεργοποίησης).

Δήλωση συμμόρφωσης ΕΚ

Μόνο για χώρες της Ευρώπης

Η δήλωση συμμόρφωσης ΕΚ περιλαμβάνεται ως Παράρτημα Α στο παρόν εγχειρίδιο οδηγιών.

ΠΡΟΕΙΔΟΠΟΙΗΣΕΙΣ ΑΣΦΑΛΕΙΑΣ

ΠΡΟΕΙΔΟΠΟΙΗΣΗ: Διαβάστε όλες τις προειδοποιήσεις για την ασφάλεια και όλες τις οδηγίες. Η μη τήρηση των προειδοποιήσεων και οδηγιών μπορεί να καταλήξει σε ηλεκτροπληξία, πυρκαγιά ή/και σοβαρό τραυματισμό.

Φυλάξτε όλες τις προειδοποιήσεις και τις οδηγίες για μελλοντική παραπομπή.

Ασφάλεια στο χώρο εργασίας

1. Να κρατάτε όλα τα άτομα μακριά από την περιοχή εργασίας.
2. Μην τεντώνεστε υπερβολικά και μην στέκεστε επάνω σε ασταθή στηρίγματα. Να κρατάτε πάντα καλό πάτημα και την ισορροπία σας.
3. Να υποθετείτε πάντα το κυρίως τμήμα του πλυστικού μηχανήματος υψηλής πίεσης σε επίπεδη και σταθερή επιφάνεια. Να αποφεύγετε τις περιοχές όπου το εκτοξευμένο νερό θα τρέξει ή θα λιμνάσει.
4. Πριν τον καθαρισμό, ελέγξτε τον περιβάλλοντα χώρο και τα αντικείμενα προς καθαρισμό. Οι δέσμες υψηλής πίεσης μπορούν να αποξέσουν βαφές ή άλλες επιφανειακές επεξεργασίες, συμπεριλαμβανοντας τοξικά χημικά. Λάβετε προληπτικά μέτρα, αν απαιτείται.
5. Προσέχετε να μη σκοντάψετε στο καλώδιο ή στον εύκαμπτο σωλήνα του πλυστικού μηχανήματος υψηλής πίεσης. Να γνωρίζετε πάντα τη διαμόρφωση του καλωδίου και εύκαμπτου σωλήνα κατά τη λειτουργία.
6. Κατά τη χρήση, θα βγει μια μικρή ποσότητα νερού από το κάτω μέρος του πλυστικού μηχανήματος υψηλής πίεσης. Μην υποθετείτε το πλυστικό μηχανήμα υψηλής πίεσης σε περιοχές που δεν θέλετε να βραχούν.

Προσωπική ασφάλεια

1. Για προστασία από τη δέσμη και τα αντικείμενα που εκτοξεύονται από τη δέσμη, οι χειριστές θα πρέπει να φορούν κατάλληλο ρουχισμό, όπως μπότες ασφαλείας, γάντια ασφαλείας, κράνη ασφαλείας με προσωπίδα, προστασία ακοής, κτλ.
2. Μη χρησιμοποιείτε το πλυστικό μηχάνημα υψηλής πίεσης κοντά σε ανθρώπους, εκτός αν αυτοί φορούν προστατευτικό ρουχισμό.
3. Για να μειώσετε τον κίνδυνο τραυματισμού, απαιτείται στενή επιτήρηση όταν το προϊόν χρησιμοποιείται κοντά σε παιδιά.
4. Το νερό που έχει περάσει από το μηχανισμό αποτροπής αντίστροφης ροής θεωρείται μη πόσιμο.

Ηλεκτρική ασφάλεια

1. Μη χρησιμοποιείτε ποτέ το πλυστικό μηχάνημα υψηλής πίεσης σε εξωτερικό χώρο στη βροχή.
2. Μην αγγίζετε ποτέ το φως κεντρικής ηλεκτρικής παροχής ή/και την πρίζα με βρεγμένα χέρια.
3. Μη χρησιμοποιείτε το μηχάνημα αν το καλώδιο τροφοδοσίας ή σημαντικά εξαρτήματα του μηχανήματος παρουσιάζουν ζημιά, π.χ. συσκευές ασφαλείας, εύκαμπτοι σωλήνες υψηλής πίεσης ή το πιστόλι με σκανδάλη.
4. Το φως πρέπει να ταιριάζει στην πρίζα. Μην τροποποιείτε ποτέ το φως, με οποιονδήποτε τρόπο. Μη χρησιμοποιείτε προσαρμογείς σε γειωμένα εργαλεία. Τα φως που δεν έχουν τροποποιηθεί και πρίζες που ταιριάζουν μείωνουν το κίνδυνο πρόκλησης ηλεκτροπληξίας.
5. Τα ανεπαρκή καλώδια προέκτασης μπορεί να είναι επικίνδυνα. Αν χρησιμοποιηθεί καλώδιο προέκτασης, θα πρέπει να είναι κατάλληλο για χρήση σε εξωτερικό χώρο και η σύνδεση θα πρέπει να διατηρείται στεγνή και εκτός του εδάφους. Συνιστάται να επιτευχθεί αυτό με ένα καρούλι καλωδίου που διατηρεί την πρίζα τουλάχιστον 60 mm πάνω από το έδαφος.
6. Να λαμβάνετε υπόψη τα ακόλουθα όταν χρησιμοποιείτε καλώδια προέκτασης:
 - Να χρησιμοποιείτε μόνο καλώδια προέκτασης που προορίζονται για χρήση σε εξωτερικό χώρο.
 - Να χρησιμοποιείτε μόνο καλώδια προέκτασης με ηλεκτρική ικανότητα ίση με ή υψηλότερη από την ικανότητα του προϊόντος.
 - Μη χρησιμοποιείτε κατεστραμμένα καλώδια προέκτασης.
 - Να εξετάζετε τα καλώδια προέκτασης πριν τη χρήση και να τα αντικαθιστάτε αν παρουσιάζουν ζημιά.
 - Μην κακομεταχειρίζεστε τα καλώδια προέκτασης και μην τραβάτε τα καλώδια για να τα αποσυνδέετε.
 - Να διατηρείτε τα καλώδια μακριά από τη θερμότητα και τα αιχμηρά άκρα.
 - Να αποσυνδέετε πάντα το καλώδιο προέκτασης από το ρευματοδότη πριν αποσυνδέετε το προϊόν από το καλώδιο προέκτασης.

7. Η σύνδεση ηλεκτρικής παροχής πρέπει να γίνεται από αρμόδιο ηλεκτρολόγο και να συμμορφώνεται με το πρότυπο IEC 60364-1. Συνιστάται η ηλεκτρική παροχή του μηχανήματος να περιλαμβάνει είτε συσκευή παραμόνωσης ρεύματος που θα διακόψει την παροχή στην περίπτωση που το ρεύμα διαρροής προς τη γείωση ξεπερνάει τα 30 mA για 30 ms είτε μια συσκευή που θα παρέχει σύνδεση σε κύκλωμα γείωσης.

Χρήση και φροντίδα ηλεκτρικού εργαλείου

1. Διαβάστε όλες τις οδηγίες πριν χρησιμοποιήσετε το προϊόν.
2. Να γνωρίζετε πώς να διακόπτετε το πλυστικό μηχάνημα υψηλής πίεσης και να εκτονώνετε την πίεση γρήγορα. Να είστε εκτενώς εξοικειωμένοι με τα χειριστήρια.
3. Οι δέσμες υψηλής πίεσης μπορεί να είναι επικίνδυνες αν χρησιμοποιούνται λανθασμένα. Η δέσμη δεν πρέπει να κατευθύνεται σε άτομα, σε ηλεκτροφόρο ηλεκτρικό εξοπλισμό ή στο ίδιο το μηχάνημα.
4. Το μηχάνημα αυτό δεν προορίζεται για χρήση από άτομα (συμπεριλαμβανομένων των παιδιών) με μειωμένες σωματικές, αισθητήριες ή διανοητικές ικανότητες, ή από άτομα που δεν έχουν πείρα και γνώσεις.
5. Τα παιδιά θα πρέπει να επιτηρούνται για να εξασφαλιστεί ότι δεν παίζουν με τη συσκευή.
6. Μην ψεκάζετε εύφλεκτα ή/και τοξικά υγρά. Αυτό μπορεί να προκαλέσει έκρηξη, δηλητηρίαση ή ζημιά στο μηχάνημα.
7. Μην κατευθύνετε τη δέσμη επάνω σας ή προς άλλους, για να καθαρίσετε ρούχα ή υποδήματα.
8. Οι εύκαμπτοι σωλήνες υψηλής πίεσης, οι συνδέσεις και οι συζεύξεις είναι σημαντικοί για την ασφάλεια του μηχανήματος. Να χρησιμοποιείτε μόνο εύκαμπτους σωλήνες, συνδέσεις και συζευκτικές που συνιστά ο κατασκευαστής.
9. Ακολουθήστε τις οδηγίες όταν αλλάξετε εξαρτήματα.
10. Να φροντίζετε ώστε οι χειρολαβές να διατηρούνται στεγνές, καθαρές και χωρίς λάδι ή γράσο.
11. Να είστε σε ετοιμότητα - προσέχετε τι κάνετε.
12. Μη χρησιμοποιείτε το προϊόν όταν είσαστε κουρασμένοι ή υπό την επήρεια αλκοόλ ή ναρκωτικών ουσιών.
13. Μη λειτουργείτε το πλυστικό μηχάνημα υψηλής πίεσης χωρίς νερό για περισσότερο από ένα λεπτό. Θα προκληθεί ζημιά στο μοτέρ, έχοντας ως αποτέλεσμα τη δυσλειτουργία.
14. Να απενεργοποιείτε πάντα την ηλεκτρική ισχύ και να κλείνετε την κεντρική παροχή νερού όταν αφήνετε το πλυστικό μηχάνημα υψηλής πίεσης ανεπιτήρητο.
15. Να προσέχετε για τυχόν κλότσημα. Το πιστόλι με σκανδάλη αναπηδά όταν εκτοξεύεται δέσμη υψηλής πίεσης από το ακροφύσιο. Κρατήστε σταθερά το πιστόλι με σκανδάλη για να αποφευχθούν οι τραυματισμοί κατά λάθος.

16. Ελέγξτε για κατεστραμμένα ή φθαρμένα μέρη πριν από τη χρήση. Επίσης, βεβαιωθείτε ότι ο εύκαμπτος σωλήνας είναι σωστά συνδεδεμένος και δεν υπάρχει διαρροή κατά τη λειτουργία. Η λειτουργία του μηχανήματος με λειτουργικά ελαττώματα μπορεί να προκαλέσει ατύχημα.
17. Αυτό το μηχανήμα έχει σχεδιαστεί για χρήση με το καθαριστικό μέσο που παρέχεται ή που συστήνει ο κατασκευαστής. Η χρήση άλλων καθαριστικών μέσων ή χημικών μπορεί να επηρεάσει αρνητικά την ασφάλεια του μηχανήματος.
18. Μην τραβάτε το καλώδιο ή/και τον εύκαμπτο σωλήνα για να μεταφέρετε το κυρίως τμήμα του πλαστικού μηχανήματος υψηλής πίεσης. Αυτό θα προκαλέσει ζημιά στο καλώδιο, τον εύκαμπτο σωλήνα και τα συνδετικά μέρη και θα έχει ως αποτέλεσμα το βραχυκύκλωμα ή τα λειτουργικά ελαττώματα.
19. Μην τοποθετείτε βαριά αντικείμενα επάνω στον εύκαμπτο σωλήνα και μην αφήνετε τα οχήματα να οδηγούν επάνω από αυτόν.
20. Να εκτονώνετε πάντα την παραμένουσα πίεση στο πιστόλι με σκανδάλη πριν αποσυνδέσετε τον εύκαμπτο σωλήνα.
21. Όταν συνδέετε τον εύκαμπτο σωλήνα στην κεντρική παροχή νερού, να τηρείτε τις οδηγίες της τοπικής σας αρχής ή επιχείρησης ύδρευσης.

Σέρβις

1. Να τηρείτε τις οδηγίες συντήρησης που καθορίζονται στο εγχειρίδιο.
2. Για να διατηρήσετε την ασφάλεια του μηχανήματος, να χρησιμοποιείτε μόνο γνήσια ανταλλακτικά από τον κατασκευαστή ή ανταλλακτικά που έχει εγκρίνει ο κατασκευαστής.
3. Να φροντίζετε ώστε το σέρβις του πλαστικού μηχανήματος υψηλής πίεσης που διαθέτετε να γίνεται από αρμόδιο επαγγελματία χρησιμοποιώντας μόνο γνήσια ανταλλακτικά. Έτσι θα είστε σίγουροι για τη διατήρηση της ασφάλειας του πλαστικού μηχανήματος υψηλής πίεσης.
4. Στην περίπτωση βλάβης ή δυσλειτουργίας του πλαστικού μηχανήματος υψηλής πίεσης, απενεργοποιήστε το αμέσως και βγάλτε το φως κεντρικής ηλεκτρικής παροχής. Επικοινωνήστε με τον τοπικό σας αντιπρόσωπο ή κέντρο εξυπηρέτησης.

ΦΥΛΑΞΤΕ ΤΙΣ ΟΔΗΓΙΕΣ ΑΥΤΕΣ.

▲ΠΡΟΕΙΔΟΠΟΙΗΣΗ: ΜΗΝ επιτρέψετε στην άνεση ή στην εξοικείωσή σας με το προϊόν (που αποκτήθηκε από επανειλημμένη χρήση) να αντικαταστήσει την αυστηρή τήρηση των κανόνων ασφαλείας του παρόντος εργαλείου.

Η ΛΑΝΘΑΣΜΕΝΗ ΧΡΗΣΗ ή η αμέλεια να ακολουθήσετε τους κανόνες ασφαλείας που διατυπώνονται στο παρόν εγχειρίδιο οδηγιών μπορεί να προκαλέσει σοβαρό προσωπικό τραυματισμό.

ΠΕΡΙΓΡΑΦΗ ΛΕΙΤΟΥΡΓΙΑΣ

▲ΠΡΟΣΟΧΗ: Να βεβαιώνεστε πάντα ότι το εργαλείο είναι σβηστό και αποσυνδεδεμένο από την ηλεκτρική παροχή πριν ρυθμίσετε ή ελέγξετε κάποια λειτουργία του.

Διακόπτης λειτουργίας

ΕΙΔΟΠΟΙΗΣΗ: Μην περιστρέψετε το διακόπτη λειτουργίας με βία. Αυτό μπορεί να προκαλέσει τη δυσλειτουργία του διακόπτη.

Για το HW1200

► **Εικ.1:** 1. Ανενεργή θέση 2. Ενεργή θέση

Περιστρέψτε το διακόπτη λειτουργίας δεξιόστροφα για να ενεργοποιήσετε το πλαστικό μηχανήμα υψηλής πίεσης.

Για το HW1300

Περιστρέψτε το διακόπτη λειτουργίας δεξιόστροφα ή αριστερόστροφα ανάλογα με το επίπεδο πίεσης. Περιστρέψτε το διακόπτη λειτουργίας δεξιόστροφα για τρόπο λειτουργίας υψηλής πίεσης και αριστερόστροφα για τρόπο λειτουργίας χαμηλής πίεσης.

► **Εικ.2:** 1. Τρόπος λειτουργίας χαμηλής πίεσης 2. Ανενεργή θέση 3. Τρόπος λειτουργίας υψηλής πίεσης

Λειτουργίες ακροφυσίου

Λόγχη ψεκασμού μεταβλητής ισχύος

► **Εικ.3**

Η πίεση δέσμης μπορεί να ρυθμιστεί αν περιστρέψετε το ακροφύσιο.

▲ΠΡΟΣΟΧΗ: Όταν ρυθμίζετε την πίεση δέσμης, μην περιστρέψετε το ακροφύσιο ενώ το τραβάτε προς το πιστόλι με σκανδάλη. Το ακροφύσιο μπορεί να βγει από το πιστόλι με σκανδάλη και να προκαλέσει προσωπικό τραυματισμό.

Μπεκ για βρομιά

► **Εικ.4**

Εκτοξεύεται μια σπειροειδής δέσμη. Κατάλληλο για την απομάκρυνση της επίμονης βρομιάς.

ΕΙΔΟΠΟΙΗΣΗ: Μη χρησιμοποιείτε το μπεκ για βρομιά για να καθαρίζετε εύθραυστες επιφάνειες όπως παράθυρα ή αμαξώματα αυτοκινήτων.

Ακροφύσιο αφρού

► **Εικ.5**

Το απορρυπαντικό μπορεί να ψεκαστεί ως αφρός.

Λειτουργίες σκανδάλης

Τραβήξτε τη σκανδάλη για να εκτοξεύσετε μια δέσμη νερού. Η δέσμη νερού συνεχίζεται όσο πατάτε τη σκανδάλη. Η σκανδάλη μπορεί να ασφαλιστεί για τον ασφαλή χειρισμό του πιστολιού με σκανδάλη. Για να ασφαλίσετε τη σκανδάλη, τραβήξτε τον αναστολέα προς τα έξω και αγκιστρώστε το στην αυλάκωση στη λαβή.

► **Εικ.6:** 1. Αναστολέας 2. Αυλάκωση

ΕΙΔΟΠΟΙΗΣΗ: Για να αποφευχθεί η μηχανική βλάβη στο διακόπτη πίεσης, να αφήνετε πάντα ένα μεσοδιάστημα δύο δευτερολέπτων μεταξύ των λειτουργιών της σκανδάλης.

Βαλβίδα ασφάλειας

Αυτή η συσκευή είναι εξοπλισμένη με βαλβίδα ασφαλείας που εμποδίζει την υπερβολική πίεση. Όταν αφήσετε τη σκανδάλη, η βαλβίδα ανοίγει και το νερό επανασυκκοφορεί μέσω της εισόδου αντλίας.

▲ ΠΡΟΣΟΧΗ: Μην παραβιάζετε και μην αλλάζετε τη ρύθμιση της βαλβίδας ασφαλείας.

Καρούλι εύκαμπτου σωλήνα

Για το **HW1300** μόνο

Για να ξετυλίξετε τον εύκαμπο σωλήνα, βγάλτε πρώτα το άκρο του εύκαμπτου σωλήνα από το συγκρατήρα. Ξεδιπλώστε τη χειρολαβή και περιστρέψτε τη δεξιόστροφα. Να ξετυλίγετε πάντα τον εύκαμπο σωλήνα μέχρι τέρμα όταν χρησιμοποιείτε το πλυστικό μηχανήμα υψηλής πίεσης.

► **Εικ.7:** 1. Καρούλι εύκαμπτου σωλήνα 2. Χειρολαβή 3. Άκρο εύκαμπτου σωλήνα

Όταν αποθηκεύετε τον εύκαμπο σωλήνα, περιστρέψτε τη χειρολαβή αριστερόστροφα και στερεώστε το άκρο του εύκαμπτου σωλήνα.

► **Εικ.8:** 1. Συγκρατήρας 2. Χειρολαβή

Παροχή νερού από δοχείο/ρεζερβουάρ

Προαιρετικό εξάρτημα

Μπορείτε να παράσχετε νερό από δοχείο ή ρεζερβουάρ, αντί για βρύση.

Αντικαταστήστε τον συνδετήρα εύκαμπτου σωλήνα νερού με το σετ εύκαμπτου σωλήνα αναρρόφησης (προαιρετικό εξάρτημα). Όταν συνδέετε το σετ εύκαμπτου σωλήνα αναρρόφησης, αποσυνδέστε τη θήκη φίλτρου από τον εύκαμπο σωλήνα και συνδέστε την στην είσοδο στο πλυστικό μηχανήμα υψηλής πίεσης. Μετά, συνδέστε τον εύκαμπο σωλήνα στη θήκη φίλτρου.

► **Εικ.9:** 1. Δοχείο/ρεζερβουάρ 2. Σετ εύκαμπτου σωλήνα αναρρόφησης 3. Συνδετήρας εύκαμπτου σωλήνα νερού 4. Εύκαμπος σωλήνας 5. Θήκη φίλτρου 6. Είσοδος στο πλυστικό μηχανήμα υψηλής πίεσης

ΕΙΔΟΠΟΙΗΣΗ: Να χρησιμοποιείτε πάντα σετ εύκαμπτου σωλήνα αναρρόφησης της Makita.

ΕΙΔΟΠΟΙΗΣΗ: Να διατηρείτε πάντα ύψος 1,0 m (3,28 ft) ή λιγότερο μεταξύ της εισόδου στο πλυστικό μηχανήμα υψηλής πίεσης και της επιφάνειας νερού. Διαφορετικά, το πλυστικό μηχανήμα υψηλής πίεσης δεν θα μπορεί να μεταφέρει το νερό στην αντλία.

Για να εισάγετε νερό στον εύκαμπο σωλήνα, βγάλτε το ακροφύσιο από το πιστόλι με σκανδάλη και ενεργοποιήστε το πλυστικό μηχανήμα υψηλής πίεσης ενώ τραβάτε τη σκανδάλη. Μόλις εξέρχεται σταθερά νερό από το πιστόλι με σκανδάλη, αφήστε τη σκανδάλη και συνδέστε το ακροφύσιο για το σκοπό σας.

► **Εικ.10:** 1. Πιστόλι με σκανδάλη

ΠΑΡΑΤΗΡΗΣΗ: Όταν δεν εξέρχεται νερό, αποσυνδέστε το σετ εύκαμπτου σωλήνα αναρρόφησης και διαπιστώστε το σε νερό. Μετά, συνδέστε το με το πλυστικό μηχανήμα υψηλής πίεσης.

► **Εικ.11:** 1. Σετ εύκαμπτου σωλήνα αναρρόφησης

ΣΥΝΑΡΜΟΛΟΓΗΣΗ

▲ ΠΡΟΣΟΧΗ: Να βεβαιώνετε πάντα ότι το εργαλείο είναι σβηστό και αποσυνδεδεμένο από την ηλεκτρική παροχή πριν εκτελέσετε οποιαδήποτε εργασία σε αυτό.

Συναρμολόγηση της χειρολαβής μεταφοράς

Για το **HW1200** μόνο

1. Ενώστε το μπροστινό και πίσω μισό της χειρολαβής ευθυγραμμίζοντας τις οπές βιδών στο κυρίως τμήμα του πλυστικού μηχανήματος υψηλής πίεσης.

► **Εικ.12:** 1. Μπροστινό μισό της χειρολαβής 2. Πίσω μισό της χειρολαβής 3. Κυρίως τμήμα του πλυστικού μηχανήματος υψηλής πίεσης

2. Ασφαλίστε τη χειρολαβή μεταφοράς με βίδες (7 τεμάχια).

► **Εικ.13**

Σύνδεση του εύκαμπτου σωλήνα υψηλής πίεσης

Για το **HW1200** μόνο

Συνδέστε τον εύκαμπο σωλήνα υψηλής πίεσης στην έξοδο (με την ένδειξη πιστολιού). Περιστρέψτε δεξιόστροφα το παξιμάδι στον εύκαμπο σωλήνα υψηλής πίεσης ενώ το βιδώνετε στο σπείρωμα βίδας της εξόδου.

► **Εικ.14:** 1. Έξοδος 2. Παξιμάδι

▲ ΠΡΟΣΟΧΗ: Βεβαιωθείτε ότι ο εύκαμπος σωλήνας υψηλής πίεσης είναι συνδεδεμένος με ασφάλεια. Μια χαλαρή σύνδεση μπορεί να εκτινάξει τον εύκαμπο σωλήνα υψηλής πίεσης, έχοντας ως αποτέλεσμα προσωπικό τραυματισμό.

Σύνδεση του πιστολιού με σκανδάλη

Συνδέστε τον εύκαμπο σωλήνα υψηλής πίεσης στην είσοδο στο πιστόλι με σκανδάλη. Περιστρέψτε δεξιόστροφα το παξιμάδι στον εύκαμπο σωλήνα υψηλής πίεσης ενώ το βιδώνετε στο σπείρωμα βίδας στην είσοδο.

► **Εικ.15:** 1. Είσοδος 2. Παξιμάδι

▲ ΠΡΟΣΟΧΗ: Βεβαιωθείτε ότι ο εύκαμπτος σωλήνας υψηλής πίεσης είναι συνδεδεμένος με ασφάλεια. Μια χαλαρή σύνδεση μπορεί να εκτινάξει τον εύκαμπτο σωλήνα υψηλής πίεσης, έχοντας ως αποτέλεσμα προσωπικό τραυματισμό.

Σύνδεση σε βρύση

▲ ΠΡΟΣΟΧΗ: Να χρησιμοποιείτε πάντα έναν ανθεκτικό στην πίεση, εύκαμπτο σωλήνα νερού με διάμετρο $\varnothing 13$ mm ή μεγαλύτερη, και συνδέστε στη βρύση χρησιμοποιώντας κατάλληλες συνδέσεις. Διαφορετικά ο εύκαμπτος σωλήνας νερού ή/και η σύνδεση μπορεί να σπάσει και να προκληθεί ατομικός τραυματισμός.

ΕΙΔΟΠΟΙΗΣΗ: Χρησιμοποιήστε όσο το δυνατό πιο κοντό ανθεκτικό στην πίεση, εύκαμπτο σωλήνα νερού. Η ποσότητα του νερού εισόδου θα πρέπει να είναι υψηλότερη από τον μέγιστο όγκο τροφοδοσίας της αντλίας.

ΕΙΔΟΠΟΙΗΣΗ: Αν συνδέσετε την κεντρική παροχή για πόσιμο νερό, χρησιμοποιήστε μια βαλβίδα αποτροπής αντίστροφης ροής που ικανοποιεί τους κανονισμούς της περιοχής σας.

Προετοιμάστε έναν ανθεκτικό στην πίεση, εύκαμπτο σωλήνα νερού. Προσδέστε το χιτώνιο συνδέσμου στο ένα άκρο και συνδέστε το άλλο άκρο στη βρύση όπως περιγράφεται στη συνέχεια.

1. Αφαιρέστε το παξιμάδι στο χιτώνιο συνδέσμου και περάστε τον ανθεκτικό στην πίεση, εύκαμπτο σωλήνα νερού μέσα από το παξιμάδι. Εισαγάγετε το άκρο του εύκαμπτου σωλήνα μέσα στο χιτώνιο συνδέσμου και μετά σφίξτε το παξιμάδι.

► **Εικ.16:** 1. Ανθεκτικός στην πίεση, εύκαμπτος σωλήνας νερού 2. Παξιμάδι του χιτωνίου συνδέσμου 3. Χιτώνιο συνδέσμου

ΠΑΡΑΤΗΡΗΣΗ: Αν συνδέσετε τον ανθεκτικό στην πίεση, εύκαμπτο σωλήνα νερού στη βρύση χρησιμοποιώντας χιτώνιο συνδέσμου, συνδέστε το και στα δύο άκρα του εύκαμπτου σωλήνα.

2. Συνδέστε τον ανθεκτικό στην πίεση, εύκαμπτο σωλήνα νερού στη βρύση. Εφαρμόστε μια κατάλληλη σύνδεση, όπως σφιγκτήρα εύκαμπτου σωλήνα ή ένωση κάνουλας νερού για να ασφαλίσετε το άκρο του εύκαμπτου σωλήνα με τη βρύση.

► **Εικ.17:** 1. Σφιγκτήρας εύκαμπτου σωλήνα 2. Ένωση κάνουλας νερού 3. Ανθεκτικός στην πίεση, εύκαμπτος σωλήνας νερού

ΠΑΡΑΤΗΡΗΣΗ: Η σύνδεση εξαρτάται από το σχήμα της βρύσης στην οποία γίνεται η σύνδεση. Προετοιμάστε μια σύνδεση που προμηθευτήκατε στο εμπόριο.

3. Συνδέστε τον συνδετήρα εύκαμπτου σωλήνα νερού στην είσοδο (με την ένδειξη βρύσης) και μετά εισαγάγετε το χιτώνιο συνδέσμου.

► **Εικ.18:** 1. Χιτώνιο συνδέσμου 2. Συνδετήρας εύκαμπτου σωλήνα νερού 3. Είσοδος

Σύνδεση/αποσύνδεση του ακροφυσίου

▲ ΠΡΟΣΟΧΗ: Να κλειδώνετε πάντα τη σκανδάλη όταν συνδέετε/αποσυνδέετε το ακροφύσιο.

Εισαγάγετε το άκρο του ακροφυσίου στη σχισμή στο πιστόλι με σκανδάλη και στρέψτε το προς την κατεύθυνση του βέλους όπως απεικονίζεται στην εικόνα. Για αποσύνδεση, περιστρέψτε το ακροφύσιο προς την αντίθετη κατεύθυνση ενώ το πιέζετε προς το πιστόλι με σκανδάλη.

► **Εικ.19:** 1. Πιστόλι με σκανδάλη 2. Σχισμή 3. Άκρο ακροφυσίου

Μερικά προαιρετικά ακροφύσια απαιτούν τη συνδετική ένωση (προαιρετικό εξάρτημα) για να συνδεθούν με το πιστόλι με σκανδάλη. Συνδέστε τη συνδετική ένωση με το πιστόλι με σκανδάλη με τον ίδιο τρόπο όπως το ακροφύσιο.

► **Εικ.20:** 1. Ακροφύσιο 2. Συνδετική ένωση 3. Πιστόλι με σκανδάλη

ΠΑΡΑΤΗΡΗΣΗ: Η συνδετική ένωση απαιτείται όταν χρησιμοποιείτε ακροφύσια που περιλαμβάνονται με άλλο μοντέλο, HW112 ή HW121.

Σύνδεση του ακροφυσίου αφρού

▲ ΠΡΟΣΟΧΗ: Να κλειδώνετε πάντα τη σκανδάλη όταν συνδέετε/αποσυνδέετε το ακροφύσιο.

Προετοιμάστε απορρυπαντικό πριν χρησιμοποιήσετε το ακροφύσιο αφρού.

1. Αφαιρέστε το ακροφύσιο από το δοχείο περιστρέφοντας το ακροφύσιο αριστερόστροφα. Συνδέστε το ακροφύσιο στο πιστόλι με σκανδάλη.

► **Εικ.21:** 1. Ακροφύσιο 2. Πιστόλι με σκανδάλη

2. Ρίξτε το απορρυπαντικό στο δοχείο και τοποθετήστε το στο ακροφύσιο.

► **Εικ.22:** 1. Δοχείο

ΕΙΔΟΠΟΙΗΣΗ: Να χρησιμοποιείτε πάντα ουδέτερο απορρυπαντικό. Το όξινο ή αλκαλικό απορρυπαντικό μπορεί να προκαλέσει ζημιά στο δοχείο ή στο ακροφύσιο.

ΛΕΙΤΟΥΡΓΙΑ

▲ ΠΡΟΕΙΔΟΠΟΙΗΣΗ: Μην αγγίζετε τη δέσμη νερού και μην την κατευθύνετε προς το μέρος σας ή προς άλλους. Η δέσμη νερού είναι επικίνδυνη και μπορεί να βλάψει εσάς ή άλλους.

▲ ΠΡΟΕΙΔΟΠΟΙΗΣΗ: Όταν εκτοξεύετε τη δέσμη νερού, μην κρατάτε ποτέ το αντικείμενο που καθαρίζετε και μην τοποθετείτε τα χέρια και τα πόδια σας κοντά στη δέσμη νερού.

▲ΠΡΟΣΟΧΗ: Να προσέχετε την αναπήδηση της δέσμης νερού και τα εμψυσμένα αντικείμενα. Μη φέρνετε το ακροφύσιο πιο κοντά από 30 cm.

▲ΠΡΟΣΟΧΗ: Μη λειτουργείτε το πλυστικό μηχάνημα υψηλής πίεσης χωρίς νερό για περισσότερο από 1 λεπτό.

▲ΠΡΟΣΟΧΗ: Μη λειτουργείτε το πλυστικό μηχάνημα υψηλής πίεσης για μεγάλη χρονική περίοδο. Μπορεί να προκληθεί υπερθέρμανση ή πυρκαγιά. Επίσης, η μακροχρόνια χρήση μπορεί να προκαλέσει κρυστασμούς.

▲ΠΡΟΣΟΧΗ: Προσέξτε την κατεύθυνση του ανέμου. Αν το απορρυπαντικό μπει στα μάτια ή στο στόμα σας, ξεπλύντε αμέσως με φρέσκο νερό και, αν απαιτείται, ζητήστε αμέσως ιατρική φροντίδα.

ΕΙΔΟΠΟΙΗΣΗ: Αποφύγετε να χρησιμοποιείτε το πλυστικό μηχάνημα υψηλής πίεσης για περισσότερο από 1 ώρα. Αφού χρησιμοποιήσετε για 1 ώρα, κάντε διάλειμμα για τον ίδιο χρόνο.

1. Συνδέστε το άκρο του εύκαμπτου σωλήνα υψηλής πίεσης στο πιστόλι με σκανδάλη. Για το HW1200, συνδέστε το άλλο άκρο στο πλυστικό μηχάνημα υψηλής πίεσης. Για το HW1300, ξετυλίξτε τον εύκαμπτο σωλήνα μέχρι τέρμα.
2. Συνδέστε το πλυστικό μηχάνημα υψηλής πίεσης στη βρύση και μετά ανοίξτε τη βρύση.
▶ **Εικ.23**

ΕΙΔΟΠΟΙΗΣΗ: Για να προστατέψετε το μηχανισμό του πλυστικού μηχανήματος υψηλής πίεσης, μη χρησιμοποιείτε νερό με θερμοκρασία άνω των 40°C.

3. Συνδέστε το πλυστικό μηχάνημα υψηλής πίεσης στον πρίζα και ενεργοποιήστε το.
▶ **Εικ.24:** 1. Διακόπτης λειτουργίας
4. Για να εκτοξεύσετε δέσμη νερού, απασφαλίστε τον αναστολέα και πατήστε τη σκανδάλη. Η δέσμη νερού συσχείζεται όσο πατάτε τη σκανδάλη.
▶ **Εικ.25:** 1. Αναστολέας

▲ΠΡΟΣΟΧΗ: Κρατήστε σταθερά το πιστόλι με σκανδάλη. Το πιστόλι με σκανδάλη αναπηδά όταν τραβάτε τη σκανδάλη.

▲ΠΡΟΣΟΧΗ: Κατά τον καθαρισμό, να κρατάτε πάντα το πιστόλι με σκανδάλη από τη λαβή και κάννη. Ενώ το μοτέρ λειτουργεί, μην αγγίζετε οποιοδήποτε τμήμα του κυρίως τμήματος του πλυστικού μηχανήματος υψηλής πίεσης εκτός από τη χειρολαβή μεταφοράς και το διακόπτη λειτουργίας.

ΕΙΔΟΠΟΙΗΣΗ: Προσέχετε να μην τραβάτε με βία το πιστόλι με σκανδάλη κατά τη λειτουργία. Μπορεί να προκληθεί η πτώση του πλυστικού μηχανήματος υψηλής πίεσης.

Μετά τη λειτουργία

▲ΠΡΟΣΟΧΗ: Μετά τη λειτουργία, να εκτελείτε πάντα τη διαδικασία που περιγράφεται στο παρόν εγχειρίδιο. Η παραμένουσα πίεση στο πιστόλι με σκανδάλη ή στο πλυστικό μηχάνημα υψηλής πίεσης μπορεί να προκαλέσει προσωπικό τραυματισμό ή ζημιά στην εσωτερική αντλία.

1. Μετά τη λειτουργία, αφήστε το διακόπτη λειτουργίας ενεργοποιημένο.
 2. Κλείστε τη βρύση και αποσυνδέστε τον εύκαμπτο σωλήνα νερού από το πλυστικό μηχάνημα υψηλής πίεσης.
▶ **Εικ.26**
 3. Τραβάτε τη σκανδάλη μέχρι να εξέλθει το εναπομένον νερό στο πλυστικό μηχάνημα υψηλής πίεσης. Μη θέτετε το μοτέρ σε λειτουργία για περισσότερο από 1 λεπτό.
▶ **Εικ.27**
 4. Απενεργοποιήστε το πλυστικό μηχάνημα υψηλής πίεσης και αποσυνδέστε το από την κεντρική ηλεκτρική παροχή.
▶ **Εικ.28:** 1. Διακόπτης λειτουργίας
 5. Αποσυνδέστε τον εύκαμπτο σωλήνα υψηλής πίεσης από το πιστόλι με σκανδάλη.
▶ **Εικ.29:** 1. Πιστόλι με σκανδάλη 2. Εύκαμπτος σωλήνας υψηλής πίεσης
- Για το HW1200, επίσης αποσυνδέστε τον εύκαμπτο σωλήνα υψηλής πίεσης από το πλυστικό μηχάνημα υψηλής πίεσης.
▶ **Εικ.30:** 1. Εύκαμπτος σωλήνας υψηλής πίεσης
- Για το HW1300, τυλίξτε τον εύκαμπτο σωλήνα και στερεώστε το άκρο του εύκαμπτου σωλήνα.
▶ **Εικ.31:** 1. Συγκρατήρας 2. Χειρολαβή

ΕΙΔΟΠΟΙΗΣΗ: Για να αποφευχθεί η πρόκληση ζημιάς στον εύκαμπτο σωλήνα υψηλής πίεσης, αφαιρέστε το εναπομένον νερό στον εύκαμπτο σωλήνα πριν την αποθήκευση.

ΣΥΝΤΗΡΗΣΗ ΚΑΙ ΑΠΟΘΗΚΕΥΣΗ

▲ΠΡΟΣΟΧΗ: Να βεβαιώνετε πάντα ότι το εργαλείο είναι βριστό και αποσυνδεδεμένο από την ηλεκτρική παροχή πριν εκτελέσετε οποιαδήποτε εργασία επιθεώρησης ή συντήρησης σε αυτό.

ΕΙΔΟΠΟΙΗΣΗ: Μην χρησιμοποιείτε ποτέ βενζίνη, πετρελαϊκό αιθέρα, διαλυτικό, αλκοόλη ή παρόμοιες ουσίες. Μπορεί να προκληθεί αποχρωματισμός, παραμόρφωση ή ρυγμές.

Καθαρισμός ακροφυσίου

Χρησιμοποιήστε τον πείρο καθαριστικού για να αφαιρέσετε τη βρομιά ή να ξεφράξετε το ακροφύσιο.

► **Εικ.32:** 1. Πείρος καθαριστικού

ΕΙΔΟΠΟΙΗΣΗ: Μην αφαιρείτε τη βρομιά ή τα υπολείμματα με βία. Αυτό μπορεί να έχει ως αποτέλεσμα τον προσωπικό τραυματισμό ή τη ζημιά στην οπή εξαγωγής, προκαλώντας παρεκκλινόμενες γωνίες δέσμης ή ανεπαρκή απόδοση.

Καθαρισμός φίλτρου

Αποδεσμεύστε τον συνδετήρα εύκαμπτου σωλήνα νερού και αφαιρέστε τη βρομιά και υπολείμματα από το εσωτερικό του φίλτρου.

► **Εικ.33:** 1. Συνδετήρας εύκαμπτου σωλήνα νερού
2. Φίλτρο 3. Σφραγιστικός δακτύλιος

Όταν χρησιμοποιείτε το σετ εύκαμπτου σωλήνα αναρρόφησης (προαιρετικό εξάρτημα), βγάλτε το φίλτρο από τη θήκη φίλτρου και αφαιρέστε τη βρομιά και υπολείμματα.

► **Εικ.34:** 1. Φίλτρο 2. Θήκη φίλτρου

ΠΑΡΑΤΗΡΗΣΗ: Για να διατηρείτε τη βέλτιστη απόδοση, να καθαρίζετε το φίλτρο περιοδικά.

Αποθήκευση

Τυλίξτε τον εύκαμπο σωλήνα και καλώδιο.

Τοποθετήστε το πιστόλι με σκανδάλη και τα ακροφύσια στις υποδοχές.

HW1200

► **Εικ.35**

HW1300

► **Εικ.36**

⚠ ΠΡΟΣΟΧΗ: Η αποθήκευση πρέπει πάντα να γίνεται σε εσωτερική τοποθεσία όπου η θερμοκρασία δεν πέφτει υπό του μηδενός. Αν το πλυστικό μηχάνημα υψηλής πίεσης παγώσει και παρουσιάσει δυσλειτουργία, επικοινωνήστε με το τοπικό σας κέντρο εξυπηρέτησης για επισκευές.

⚠ ΠΡΟΣΟΧΗ: Να χρησιμοποιείτε πάντα τη χειρολαβή μεταφοράς όταν μεταφέρετε το πλυστικό μηχάνημα υψηλής πίεσης. Μην το μεταφέρετε από τον εύκαμπο σωλήνα ή το καλώδιο. Ο εύκαμπτος σωλήνας ή το καλώδιο μπορεί να παρουσιάζουν ζημιά.

⚠ ΠΡΟΣΟΧΗ: Μη μεταφέρετε το πλυστικό μηχάνημα υψηλής πίεσης με τον εύκαμπο σωλήνα ή/και το καλώδιο ξετυλιγμένο. Ο εκτεταμένος εύκαμπτος σωλήνας ή καλώδιο μπορεί να καταστραφεί ή να μπλεχτεί με άλλα αντικείμενα, έχοντας ως αποτέλεσμα προσωπικό τραυματισμό ή σπάσιμο.

Για τη διατήρηση της ΑΣΦΑΛΕΙΑΣ και ΑΞΙΟΠΙΣΤΙΑΣ του προϊόντος, οι επισκευές και οποιαδήποτε άλλη εργασία συντήρησης ή ρύθμισης πρέπει να εκτελούνται από εξουσιοδοτημένα ή εργοστασιακά κέντρα εξυπηρέτησης της Makita, χρησιμοποιώντας πάντοτε ανταλλακτικά της Makita.

ΑΝΤΙΜΕΤΩΠΙΣΗ ΠΡΟΒΛΗΜΑΤΩΝ

Πριν ζητήσετε επισκευές, εκτελέστε αρχικά τη δική σας επιθεώρηση. Αν εντοπίσετε πρόβλημα που δεν επεξηγείται στο εγχειρίδιο, μην επιχειρήσετε να αποσυναρμολογήσετε το εργαλείο. Αντ' αυτού, ζητήστε βοήθεια από εξουσιοδοτημένα κέντρα εξυπηρέτησης της Makita και πάντοτε να χρησιμοποιείτε γνήσια ανταλλακτικά της Makita.

Κατάσταση προβλήματος	Πιθανή αιτία (δυσλειτουργία)	Αποκατάσταση
Το πλυστικό μηχάνημα δεν ξεκινά.	Δεν υπάρχει ηλεκτρισμός	Συνδέστε το φως στην κεντρική ηλεκτρική παροχή. Επίσης, ελέγξτε αν παρέχεται ηλεκτρισμός στην κεντρική ηλεκτρική παροχή.
	Ο διακόπτης δεν είναι ενεργοποιημένος.	Ενεργοποιήστε το διακόπτη.
	Υπάρχει παραμείνουσα πίεση στην αντλία	Τραβήξτε τη σκανδάλη.
	Κατεστραμμένο καλώδιο ή ηλεκτρικό κύκλωμα	Απευθυνθείτε σε εξουσιοδοτημένο κέντρο εξυπηρέτησης για επισκευή.
Δεν υπάρχει δέσμη νερού / η δέσμη νερού είναι ασθενής	Δεν υπάρχει παροχή νερού	Βεβαιωθείτε ότι η βρύση είναι ανοικτή. Αν χρησιμοποιείτε το σετ εύκαμπτου σωλήνα αναρρόφησης, εισαγάγετε νερό στον εύκαμπο σωλήνα.
	Ανεπαρκής παροχή νερού	Ανοίξτε τη βρύση.
	Ανεπαρκής σύνδεση εύκαμπτου σωλήνα νερού	Ελέγξτε τη σύνδεση μεταξύ του εύκαμπτου σωλήνα νερού και της βρύσης και εισόδου στο πλυστικό μηχάνημα υψηλής πίεσης.
	Φραγμένος εύκαμπος σωλήνας, φίλτρο ή ακροφύσιο	Ξεφράξτε τον εύκαμπο σωλήνα, φίλτρο ή ακροφύσιο.
	Αέρας φράσσει τη ροή νερού.	Απενεργοποιήστε το διακόπτη και μετά ενεργοποιήστε τον ξανά, ενώ τραβάτε τη σκανδάλη.
	Κατεστραμμένο ή φθαρμένο ακροφύσιο	Αντικαταστήστε το ακροφύσιο.
	Δυσλειτουργία αντλίας ή βαλβίδας	Απευθυνθείτε σε εξουσιοδοτημένο κέντρο εξυπηρέτησης για επισκευή.
Ασταθής δέσμη νερού.	Φραγμένο ακροφύσιο	Ξεφράξτε την οπή εξαγωγής του ακροφυσίου χρησιμοποιώντας τον πείρο καθαριστικού.
	Ανεπαρκής αναρρόφηση νερού	Ελέγξτε τον εύκαμπο σωλήνα νερού που ξεκινάει από τη βρύση για τυχόν διαρροές ή φραξίματα. Ανοίξτε τη βρύση.
	Το νερό είναι πολύ ζεστό.	Παράσχετε πιο κρύο νερό.
	Δυσλειτουργία βαλβίδας	Απευθυνθείτε σε εξουσιοδοτημένο κέντρο εξυπηρέτησης για επισκευή.
Μη φυσιολογικός ήχος.	Το νερό είναι πολύ ζεστό.	Παράσχετε πιο κρύο νερό.
	Έχει εγκλωβιστεί αέρας στην αντλία.	Απευθυνθείτε σε εξουσιοδοτημένο κέντρο εξυπηρέτησης για επισκευή.
Διαρροή νερού/λαδιού.	Κακή σύνδεση	Ελέγξτε τη σύνδεση μεταξύ του εύκαμπτου σωλήνα υψηλής πίεσης και του πιστολιού με σκανδάλη και του πλυστικού μηχανήματος υψηλής πίεσης.
	Φθαρμένες στεγανοποιήσεις	Απευθυνθείτε σε εξουσιοδοτημένο κέντρο εξυπηρέτησης για επισκευή.
Η αντλία δεν λειτουργεί ακόμη κι αν ακούγεται το μοτέρ.	Ακατάλληλο καλώδιο προέκτασης.	Χρησιμοποιήστε καλώδιο προέκτασης κατάλληλο για την ικανότητα του προϊόντος.

ΠΡΟΑΙΡΕΤΙΚΑ ΕΞΑΡΤΗΜΑΤΑ

▲ ΠΡΟΣΟΧΗ: Αυτά τα εξαρτήματα ή προσαρτήματα συνιστώνται για χρήση με το εργαλείο Makita που περιγράφηκε στις οδηγίες αυτές. Η χρήση οποιωνδήποτε άλλων εξαρτημάτων ή προσαρτημάτων μπορεί να προκαλέσει κίνδυνο τραυματισμού σε άτομα. Να χρησιμοποιείτε τα εξαρτήματα ή προσαρτήματα μόνο για την χρήση που προορίζονται.

Εάν χρειάζεστε οποιαδήποτε βοήθεια για περισσότερες πληροφορίες σε σχέση με αυτά τα εξαρτήματα, απευθυνθείτε στο τοπικό σας κέντρο εξυπηρέτησης Makita.

ΠΑΡΑΤΗΡΗΣΗ: Μερικά στοιχεία στη λίστα μπορεί να συμπεριλαμβάνονται στη συσκευασία εργαλείου ως στάνταρ εξαρτήματα. Μπορεί να διαφέρουν ανάλογα με τη χώρα.

Λόγχη ψεκασμού

► Εικ.37

Το πλάτος δέσμης μπορεί να ρυθμιστεί από 0° έως 25° αν περιστρέψετε το μπροστινό άκρο του ακροφυσίου.

▲ ΠΡΟΣΟΧΗ: Όταν ρυθμίζετε το πλάτος δέσμης, μην περιστρέφετε το ακροφύσιο ενώ το τραβάτε προς το πιστόλι με σκανδάλη. Το ακροφύσιο μπορεί να βγει από το πιστόλι με σκανδάλη και να προκαλέσει προσωπικό τραυματισμό.

Βούρτσα πλυσίματος (μακριά)

► Εικ.38

Ακροφύσιο εξοπλισμένο με βούρτσα. Χρήσιμη για τον πλύσιμο βρομιάς ενώ τρίβετε με τη βούρτσα.

Σετ εύκαμπτου σωλήνα αναρρόφησης

► Εικ.39

Αντικαταστήστε τον εύκαμπτο σωλήνα νερού με αυτό το σετ για να παράσχετε νερό από δοχείο ή ρεζερβουάρ.

Περιστροφική βούρτσα πλύσης

► Εικ.40

Τρεις βούρτσες στο εσωτερικό περιστρέφονται αργά κατά την εκτόξευση της δέσμης. Κατάλληλο για τον καθαρισμό ελαφριάς βρομιάς σε εξωτερικό τοίχο, αμάξωμα αυτοκινήτου, μπανιέρα, κτλ.

Επέκταση λόγχης

► Εικ.41

Σωλήνες για την επέκταση του μήκους του πιστολιού με σκανδάλη. Διατίθενται τρία διαφορετικά μήκη αν αλλάξετε τον αριθμό των σωλήνων που πρόκειται να χρησιμοποιηθούν.

Λόγχη ψεκασμού για το κάτω μέρος του αμαξώματος

► Εικ.42

Μια πολύ μακριά λόγχη ψεκασμού με επικλινές ακροφύσιο. Ιδανικό για το καθάρισμα δυσπρόσιτων περιοχών όπως το κάτω μέρος ενός αυτοκινήτου και των υδρορροών οροφής.

▲ ΠΡΟΣΟΧΗ: Μη χρησιμοποιείτε τη λόγχη ψεκασμού για το κάτω μέρος του αμαξώματος μαζί με την επέκταση λόγχης.

Αντισταλαγμικό προστατευτικό

► Εικ.43

Μειώνει την οπίσθια εκτόξευση κατά τον καθαρισμό γωνιών με το μπεκ για βρομιά.

Περιστρεφόμενη ένωση

► Εικ.44

Εμποδίζει τη συστολή του εύκαμπτου σωλήνα υψηλής πίεσης.

Συνδεδητική ένωση

► Εικ.45

Μια ένωση για τη σύνδεση με ακροφύσιο από άλλο μοντέλο.

ΠΑΡΑΤΗΡΗΣΗ: Η συνδεδητική ένωση απαιτείται όταν χρησιμοποιείτε ακροφύσια που περιλαμβάνονται με άλλο μοντέλο, HW112 ή HW121.

Σετ καθαρισμού σωλήνων (10 m/15 m)

► Εικ.46

Για τον καθαρισμό και την απόφραξη υδραυλικών και σωλήνων καθόδου.

▲ ΠΡΟΣΟΧΗ: Να προσέχετε ιδιαίτερα τη δέσμη νερού όταν χρησιμοποιείτε το σετ καθαρισμού σωλήνων. Εκτοξεύεται προς τα πίσω μια εξαιρετικά δυνατή δέσμη νερού.

Επέκταση εύκαμπτου σωλήνα υψηλής πίεσης (5 m/8 m/10 m)

► Εικ.47

Επέκταση εύκαμπτου σωλήνα για τη σύνδεση του κυρίως τμήματος του πλυτικού μηχανήματος υψηλής πίεσης με το πιστόλι με σκανδάλη.

UYARI

- Makinalar çocuklar tarafından kullanılmamalıdır. Makina ile oynamadıklarından emin olmak için çocuklar kontrol altında bulundurulmalıdır.
- Bu makina, çocuklar da dahil olmak üzere fiziksel, duyuşal veya zihinsel engelli ya da tecrübe ve bilgisi olmayan kişiler tarafından kullanılmak üzere tasarlanmamıştır.
- Bu makina, birlikte verilen veya üretici tarafından önerilen temizlik maddesi ile kullanım için tasarlanmıştır. Diğer temizlik maddelerinin veya kimyasalların kullanılması makinanın güvenliğini olumsuz yönde etkileyebilir.
- Basınçlı jetler, yanlış kullanılmaları durumunda tehlikeli olabilir. Jet insanlara, akım çeken elektrikli cihazlara veya makinanın kendisine doğrultulmamalıdır.
- Makinayı, koruyucu giysi giymiyorlarsa insanlara erişebilecek mesafede kullanmayın.
- Giysi veya ayakkabıları temizlemek için jeti kendinize veya diğer insanlara doğrultmayın.
- Patlama tehlikesi - Yanıcı sıvılar püskürtmeyin.
- Basınçlı temizleme makinaları çocuklar veya eğitimsiz kişiler tarafından kullanılmamalıdır.
- Yüksek basınç hortumları, bağlantı parçaları ve rakorlar makinanın güvenliği için önemlidir. Yalnızca üretici tarafından önerilen hortumları, bağlantı parçalarını ve rakorları kullanın.
- Makina güvenliğini sağlamak için sadece üreticinin orijinal yedek parçalarını veya üretici onaylı yedek parçaları kullanın.
- Alet üzerinde herhangi bir işlem yapmadan önce mutlaka aletin kapalı ve fişinin çekili olduğundan emin olun.
- Makinanın elektrik kablosu veya örneğin güvenlik aygıtları, yüksek basınç hortumları, tetikli tabanca gibi önemli parçaları hasarlıysa makinayı kullanmayın.
- Yetersiz uzatma kabloları tehlikeli olabilir. Uzatma kablosu kullanılacaksa dış mekan kullanımına uygun olmalı ve bağlantı kuru ve zeminden yukarıda tutulmalıdır. Bunun, prizi zeminden en az 60 mm yukarıda tutan bir kablo makarası vasıtasıyla sağlanması önerilir.

- Makinayı gözetimsiz bırakırken şebeke ayırma düğmesini mutlaka kapatın.
- Yerel su tedarik şirketinin gereksinimlerine uyun.
- Avrupa ülkeleri için:
EN12729'a göre (Tip BA), tedarik hortumuna drenaj özellikli bir geri akış önleme valfi takılırsa, alet içme suyu şebekesine de bağlanabilir.

TEKNİK ÖZELLİKLER

Model:		HW1200	HW1300
Maks. besleme hacmi		7,0 l/min	7,5 l/min
Su debisi		5,5 l/min	6,0 l/min
İzin verilebilir maks. basınç		12 MPa (120 bar)	13 MPa (130 bar)
Çalışma basıncı	Yüksek mod	10 MPa (100 bar)	11 MPa (110 bar)
	Düşük mod	-	8 MPa (80 bar)
Maks. besleme basıncı		1 MPa (10 bar)	
Maks. besleme sıcaklığı		40°C	
Maks. emme yüksekliği		1,0 m	
Boyutlar (U x G x Y)		292 mm x 358 mm x 830 mm	
Ağırlık		11,0 kg	12,7 kg
Motor koruması		IPX5	

- Sürekli yapılan araştırma ve geliştirmelerden dolayı, burada belirtilen özellikler önceden bildirilmeksizin değiştirilebilir.
- Özellikler ülkeden ülkeye değişebilir.
- EPTA_Proседүрү 01/2003 uyarınca ağırlık

Semboller

Aşağıdakiler makinanız için kullanılan sembolleri göstermektedir. Kullanmadan önce manalarını anladığınızdan emin olunuz.



El kitabını okuyun.



Çok özenli ve dikkatli kullanın.



ÇİFT YALITIMLI



Sadece AB ülkeleri için
Elektrik donanımını evsel atıklarla birlikte bertaraf etmeyiniz! Kullanılmış elektrikli cihazları, Elektrikli ve Elektronik Cihaz Atıkları Hakkındaki Avrupa Yönergesine göre ve bu yönergeler ulusal hukuk kurallarına göre uyarlanarak, ayrı olarak toplanmalı ve çevre şartlarına uygun bir şekilde tekrar değerlendirilmeye gönderilmelidir.



Jeti kendiniz dahil insanlara, hayvanlara ve akım çeken elektrikli cihazlara doğrultmayın.



İçme suyu şebekesine bağlantı için uygun değildir.

Kullanım amacı

Bu alet, inatçı kirleri su jeti kullanarak temizlemek için tasarlanmıştır. Bu alet, evde kullanım için tasarlanmıştır.

Güç kaynağı

Aletin, yalnızca isim levhasında belirtilenle aynı voltajlı güç kaynağına bağlanması gerekir ve yalnızca tek fazlı AC güç kaynağıyla çalıştırılabilir. Çifte yalıtımlıdır ve topraklamasız prizlerle de kullanılabilir.

220 V ile 250 V arası umumi düşük voltaj dağıtım sistemleri için

Elektrikli aletlerin açma-kapama işlemleri voltaj dalgalanmalarına sebep olur. Ana şebekenin uygun olmadığı koşullarda, bu makinanın çalıştırılması diğer cihazların çalışması üzerinde ters etki yapabilir. Ana şebeke impedansının 0,25 Ohms'a eşit veya ondan daha küçük olması durumunda, ters etkilerin olmayacağı varsayılabilir. Bu makinanın bağlı olduğu ana şebeke prizi, yavaş tetikleme özellikleri olan bir sigorta veya koruyucu devre kesici ile korunmalıdır.

Gürültü

Tipik A-ağırlıklı gürültü düzeyi (EN60335-2-79 standardına göre belirlenen):

Model HW1200

Ses basınç seviyesi (L_{pA}): 72 dB (A)
Belirsizlik (K): 3,8 dB (A)

Model HW1300

Ses basınç seviyesi (L_{pA}): 76 dB (A)
Belirsizlik (K): 2,4 dB (A)

İşlem sırasında gürültü seviyesi 80 dB (A)'yi geçebilir.

UYARI: Kulak koruyucuları takın.

Titreşim

Titreşim toplam değeri (üç eksenli vektör toplamı) (EN60335-2-79 standardına göre hesaplanan):

Model HW1200

Titreşim emisyonu (a_h): 4,11 m/s²
Belirsizlik (K) : 1,5 m/s²

Model HW1300

Titreşim emisyonu (a_h): 4,86 m/s²
Belirsizlik (K) : 1,5 m/s²

NOT: Beyan edilen titreşim emisyon değeri standart test yöntemine uygun şekilde ölçülmüştür ve bir aleti bir başkasıyla karşılaştırmak için kullanılabilir.

NOT: Beyan edilen titreşim emisyon değeri bir ön maruz kalma değerlendirmesi olarak da kullanılabilir.

UYARI: Bu elektrikli aletin gerçek kullanımı sırasındaki titreşim emisyonu aletin kullanım biçimlerine bağlı olarak beyan edilen emisyon değerinden farklı olabilir.

UYARI: Gerçek kullanım koşullarındaki maruz kalmanın bir tahmini hesaplaması temelinde operatörü koruyacak güvenlik önlemlerini mutlaka belirleyin (çalışma döngüsü içerisinde aletin kapalı olduğu ve aktif durumda olmasının yanı sıra boşta çalıştığı zamanlar gibi, bütün zaman dilimleri göz önünde bulundurularak değerlendirilmelidir).

EC Uygunluk Beyanı

Sadece Avrupa ülkeleri için

EC uygunluk beyanı bu kullanım kılavuzuna Ek A olarak eklenmiştir.

GÜVENLİK UYARILARI

UYARI: Tüm güvenlik uyarılarını ve tüm talimatları okuyun. Uyarılara ve talimatlara uyulmaması elektrik şoku, yangın ve/veya ciddi yaralanmalar ile sonuçlanabilir.

Tüm uyarıları ve talimatları iletide başvurmak için saklayın.

Çalışma alanı güvenliği

1. Tüm insanları çalışma alanından uzak tutun.
2. Dengesiz desteklerin üzerinden uzanmayın veya bunların üzerinde durmayın. Daima sağlam ve dengeli basın.
3. Basınçlı yıkama makinasının gövdesini daima düz ve sabit bir yüzeyin üzerine koyun. Püskürtülen suyun akacağı veya birikeceği alanlardan kaçının.
4. Temizleme öncesinde etrafı ve temizlenecek nesnelere kontrol edin. Basınçlı jetler zehirli kimyasallar da dahil olmak üzere boya veya diğer yüzey kaplamalarını kazıyarak çıkarabilir. Gerekirse önleyici tedbirler alın.
5. Basınçlı yıkama makinasının kablolarına veya hortumuna takılarak düşmemeye dikkat edin. Çalışma sırasında kabloların ve hortumun yerleşiminin daima farkında olun.
6. Kullanım sırasında basınçlı yıkama makinasının alt kısmından az miktarda su çıkar. Basınçlı yıkama makinasını ıslanmasını istemediğiniz yerlere yerleştirmekten kaçının.

Kişisel güvenliği

1. Jete ve jetin fırlattığı nesnelere karşı korunmak için operatörler güvenlik ayakkabısı, güvenlik eldiveni, vizörlü güvenlik kaskı, kulak tıkacı, vb. uygun giysi giymeli ve koruyucu ekipman takmalıdır.
2. Basınçlı yıkama makinasını, koruyucu giysi giymiyorsa insanlara erişebilecek mesafede kullanmayın.
3. Yaralanma riskini azaltmak için ürün çocukların yanında kullanılırken yakın nezaret gereklidir.
4. Geri akış engelleyicisi üzerinden akan su, güvenli olmayan su olarak değerlendirilir.

Elektrik güvenliği

1. Basınçlı yıkama makinasını yağmurda asla dış mekanlarda kullanmayın.
2. Elektrik fişine ve/veya prize asla ıslak ellerle dokunmayın.
3. Makinanın elektrik kablosu veya örneğin güvenlik aygıtları, yüksek basınç hortumları veya tetikli tabanca gibi önemli parçaları hasarlıysa makinayı kullanmayın.
4. Fiş, prize uygun olmalıdır. Fiş üzerinde kesinlikle hiçbir değişiklik yapmayın. Topraklı aletlerle hiçbir adaptör fişi kullanmayın. Değiştirilmemiş fiş ve uygun priz elektrik çarpması riskini azaltacaktır.
5. Yetersiz uzatma kabloları tehlikeli olabilir. Uzatma kablosu kullanılacaksa dış mekan kullanımına uygun olmalı ve bağlantı kuru ve zeminden yukarıda tutulmalıdır. Bunun, prize zeminden en az 60 mm yukarıda tutan bir kablo makarası vasıtasıyla sağlanması önerilir.
6. Uzatma kabloları kullanırken aşağıdaki noktalara dikkat edin:
 - Sadece dış mekan kullanımı için tasarlanmış uzatma kablolarını kullanın.

- Sadece ürünün elektrik değerlerine eşit veya yüksek değerlere sahip uzatma kabloları kullanın.
 - Hasarlı uzatma kablolarını kullanmayın.
 - Kullanmadan önce uzatma kablolarını kontrol edin ve hasar görmüşse değiştirin.
 - Uzatma kablolarını kötüye kullanmayın ve ayırmak için kabloları aniden çekmeyin.
 - Kabloları ısı ve keskin kenarlardan uzak tutun.
 - Ürünü uzatma kablosundan ayırmadan önce daima uzatma kablosunu prizden çıkarın.
7. Elektrik besleme bağlantısı kalifiye bir elektrikçi tarafından yapılmalı ve IEC 60364-1'e uygun olmalıdır. Bu makineye bağlı elektrik beslemesinin, toprak kaçak akımının 30 ms süreyle 30 mA'ı aşması durumunda elektriği kesecek bir kaçak akım rölesi ya da toprak devresini sınavacak bir aygıt içermesi önerilir.

Elektrikli aletlerin kullanımı ve bakımı

1. Ürünü kullanmadan önce tüm talimatları okuyun.
2. Basınçlı yıkama makinasını ve basınç kaçaklarını hızlı bir şekilde nasıl durduracağınızı bilin. Kumandaları ayrıntılarıyla tanıyın.
3. Basınçlı jetler, yanlış kullanılmaları durumunda tehlikeli olabilir. Jet insanlara, akım çeken elektrikli cihazlara veya makinenin kendisine doğrultulmamalıdır.
4. Bu makina, çocuklar da dahil olmak üzere fiziksel, duyuusal veya zihinsel engelli ya da tecrübe ve bilgisi olmayan kişiler tarafından kullanılmak üzere tasarlanmamıştır.
5. Cihazla oynamadıklarından emin olmak için çocuklar kontrol altında bulundurulmalıdır.
6. Yanıcı ve/veya zehirli sıvıları püskürtmeyin. Patlamaya, zehirlenmeye veya makinenin hasar görmesine neden olabilir.
7. Giysi veya ayakkabıları temizlemek için jeti kendinize veya diğer insanlara doğrultmayın.
8. Yüksek basınç hortumları, bağlantı parçaları ve rakorlar makinenin güvenliği için önemlidir. Yalnızca üretici tarafından önerilen hortumları, bağlantı parçalarını ve rakorları kullanın.
9. Aksesuarları değiştirirken talimatları izleyin.
10. Makinenin tutamaklarını kuru, temiz ve yağ veya gresten temiz tutun.
11. Dikkatli olun - ne yaptığınıza dikkat edin.
12. Yorgunken veya alkol ya da ilaçların etkisi altındayken ürünü kullanmayın.
13. Basınçlı yıkama makinasını susuz bir dakikadan daha uzun çalıştırmayın. Motora hasar vererek arızayla sonuçlanabilir.
14. Basınçlı yıkama makinasını gözetimsiz bırakırken daima elektriği ve su şebekesini kapatın.
15. Geri tepmeye karşı uyanık olun. Basınçlı jet nozuldan püskürtülürken tetikli tabanca geri teper. Kazara yaralanmaları engellemek için tetikli tabancayı sıkıca tutun.

16. Kullanmadan önce hasarlı veya eskimiş parça olup olmadığını kontrol edin. Ayrıca hortumun düzgün bir şekilde bağlandığından ve çalışma sırasında kaçak olmadığından emin olun. Makinenin fonksiyonel kusurlarla çalıştırılması kazaya neden olabilir.
17. Bu makina, birlikte verilen veya üretici tarafından önerilen temizlik maddesi ile kullanım için tasarlanmıştır. Diğer temizlik maddelerinin veya kimyasalların kullanılması makinenin güvenliğini olumsuz yönde etkileyebilir.
18. Basınçlı yıkama makinasının gövdesini taşımak için kabloya ve/veya hortumu çekmeyin. Bu işlem kabloya, hortuma ve bağlantı parçalarına hasar verir ve kısa devreye veya fonksiyonel kusurlara neden olur.
19. Hortumun üzerine ağır nesnelere koymayın veya araçların üzerinden geçmesine izin vermeyin.
20. Hortumu ayırmadan önce tetikli tabancadaki artık basıncı mutlaka boşaltın.
21. Hortumu su şebekesine bağlarken yerel su idaresinin veya firmasının talimatlarına uyun.

Servis

1. Kılavuzda belirtilen bakım talimatlarını izleyin.
2. Makina güvenliğini sağlamak için sadece üreticinin orijinal yedek parçalarını veya üretici onaylı yedek parçaları kullanın.
3. Basınçlı yıkama makinasını, sadece orijinal yedek parçaları kullanarak kalifiye onarım personeline tamir ettirin. Bu, basınçlı yıkama makinasının güvenliğinin korunmasını sağlar.
4. Basınçlı yıkama makinasının bozulması veya arızalanması durumunda derhal makinayı kapatın ve elektrik fişini çekin. Yerel bayi veya servise başvurun.

BU TALİMATLARI SAKLAYIN.

⚠UYARI: Ürünü kullanırken (defalarca kullanınca kazanılan) rahatlık ve tanıdıklık duygusunun ilgili ürünün güvenlik kurallarına sıkı sıkıya bağlı kalmanın yerine geçmesine İZİN VERMEYİN.

YANLIŞ KULLANIM veya bu kullanma kılavuzunda belirtilen emniyet kurallarına uymama ciddi yaralanmaya neden olabilir.

İŞLEVSEL NİTELİKLER

⚠️ DİKKAT: Alet üzerinde ayarlama ya da işleyiş kontrolü yapmadan önce aletin kapalı ve fişinin çekili olduğundan daima emin olun.

Güç düğmesi

ÖNEMLİ NOT: Güç düğmesini zorlayarak çevirmeyin. Düğmenin arızalanmasına neden olabilir.

HW1200 için

► **Şek.1:** 1. Kapalı konum 2. Açık konum

Basınçlı yıkama makinasını açmak için güç düğmesini saat yönünde çevirin.

HW1300 için

Basınç seviyesine bağlı olarak güç düğmesini saat yönünde veya saatin aksi yönünde çevirin. Güç düğmesini yüksek basınç modu için saat yönünde, düşük basınç modu için saatin aksi yönünde çevirin.

► **Şek.2:** 1. Düşük basınç modu 2. Kapalı konum 3. Yüksek basınç modu

Nozul fonksiyonları

Vario-Power püskürtme borusu

► **Şek.3**

Jet basıncı nozul döndürülerek ayarlanabilir.

⚠️ DİKKAT: Jet basıncını ayarlarken nozulu tetikli tabancaya doğru çekerken döndürmeyin. Nozul tetikli tabancadan çıkabilir ve yaralanmaya neden olabilir.

Kir giderici

► **Şek.4**

Spiral jet püskürtülür. İnatçı kirleri temizlemek için uygundur.

ÖNEMLİ NOT: Kir gidericiyi camlar veya araç kaportaları gibi kırılabilir yüzeyleri temizlemek için kullanmayın.

Köpük nozulu

► **Şek.5**

Deterjan, köpük şeklinde püskürtülebilir.

Tetik işlemleri

Su jeti püskürtmek için tetiği çekin. Tetik basılı olduğu sürece jet devam eder. Tetikli tabancayı güvenli kullanmak için tetik kilitlenebilir. Tetiği kilitlemek için durdurucuyu çekip çıkararak kabza üzerindeki kanala geçirin.

► **Şek.6:** 1. Durdurucu 2. Kanal

ÖNEMLİ NOT: Basınç anahtarında mekanik hatayı engellemek için tetik işlemleri arasında her zaman iki saniye aralık bırakın.

Güvenlik vanası

Bu cihaz, aşırı fazla basıncı engellemek için bir güvenlik vanası ile donatılmıştır. Tetik bırakıldığında vana açılır ve pompa girişi aracılığıyla su devridaim eder.

⚠️ DİKKAT: Güvenlik vanası ayarını kurcalamayın veya ayarlamayın.

Hortum makarası

Sadece HW1300 için

Hortumu sağımak için ilk önce hortumun ucunu mandaldan kurtarın. Kolu açın ve saat yönünde çevirin. Basınçlı yıkama makinasını kullanırken hortumu daima sonuna kadar sağıın.

► **Şek.7:** 1. Hortum makarası 2. Kol 3. Hortumun ucu

Hortumu depolarken kolu saatin aksi yönünde çevirin ve hortumun ucunu sabitleyin.

► **Şek.8:** 1. Mandal 2. Kol

Tank/su deposundan su sağlanması

İsteğe bağlı aksesuar

Musluk yerine tank veya su deposundan su sağlayabilirsiniz.

Su hortumu rakorunu emme hortum seti (isteğe bağlı aksesuar) ile değiştirin. Emme hortum setini bağlarken filtre mahfazasını hortumdan ayırarak basınçlı yıkama makinasının üzerindeki girişe takın. Daha sonra hortumu filtre mahfazasına bağlayın.

► **Şek.9:** 1. Tank/su deposu 2. Emme hortum seti 3. Su hortumu rakoru 4. Hortum 5. Filtre mahfazası 6. Basınçlı yıkama makinası üzerindeki giriş

ÖNEMLİ NOT: Daima Makita'nın emme hortum setini kullanın.

ÖNEMLİ NOT: Basınçlı yıkama makinası üzerindeki giriş ile su yüzeyi arasındaki yüksekliği daima en fazla 1,0 m (3,28 ft) olacak şekilde tutun. Aksi takdirde basınçlı yıkama makinası suyu pompaya çekemeyecektir.

Suyu hortuma almak için nozulu tetikli tabancadan çıkarın ve tetik basılıyken basınçlı yıkama makinasını açın. Su tetikli tabancadan sabit bir şekilde püskürtülmeye başladığında tetiği bırakın ve amacınıza uygun nozulu takın.

► **Şek.10:** 1. Tetikli tabanca

NOT: Su püskürtülmezken emme hortum setini ayırın ve suya sokun. Daha sonra basınçlı yıkama makinasına tekrar takın.

► **Şek.11:** 1. Emme hortum seti

MONTAJ

⚠️ DİKKAT: Alet üzerinde herhangi bir iş yapmadan önce aletin kapalı ve fişinin çekili olduğundan daima emin olun.

Taşıma kolunun monte edilmesi

Sadece HW1200 için

1. Kolun ön ve arka yarılarını, basınçlı yıkama makinesinin gövdesi üzerindeki vida delikleriyle hizalayarak birleştirin.

► **Şek.12:** 1. Kolun ön yarısı 2. Kolun arka yarısı
3. Basınçlı yıkama makinası gövdesi

2. Taşıma kolunu vidalarla (7 adet) sabitleyin.

► **Şek.13**

Yüksek basınç hortumunun bağlanması

Sadece HW1200 için

Yüksek basınç hortumunu (tabanca işareti olan) çıkışa bağlayın. Yüksek basınç hortumunun üzerindeki somunu saat yönünde çevirerek çıkışın vida dişine vidalayın.

► **Şek.14:** 1. Çıkış 2. Somun

⚠ DİKKAT: Yüksek basınç hortumunun sağlam bir şekilde bağlandığından emin olun. Gevşek bağlantı yüksek basınç hortumunu fırlatarak yaralanmaya neden olabilir.

Tetikli tabancanın takılması

Yüksek basınç hortumunu tetikli tabanca üzerindeki girişe bağlayın. Yüksek basınç hortumunun üzerindeki somunu saat yönünde çevirerek giriş üzerindeki vida dişine vidalayın.

► **Şek.15:** 1. Giriş 2. Somun

⚠ DİKKAT: Yüksek basınç hortumunun sağlam bir şekilde bağlandığından emin olun. Gevşek bağlantı yüksek basınç hortumunu fırlatarak yaralanmaya neden olabilir.

Musluğa bağlama

⚠ DİKKAT: Daima çapı ø13 mm veya daha büyük olan basınca dayanıklı bir su hortumu kullanın ve uygun bağlantı parçaları ile musluğa bağlayın. Aksi takdirde su hortumu ve/veya bağlantı parçası koparak yaralanmaya neden olabilir.

ÖNEMLİ NOT: Mümkün olduğu kadar kısa bir basınca dayanıklı su hortumu kullanın. Emme suyu miktarı pompanın maks. besleme hacminden yüksek olmalıdır.

ÖNEMLİ NOT: İçme suyu şebekesine bağlayacaksanız bölgenizdeki mevzuatı karşılayan bir geri akış engelleme vanası kullanın.

Basınca dayanıklı bir su hortumu hazırlayın. Aşağıda anlatıldığı gibi bağlantı manşonunu bir uca takın ve diğer ucu musluğa bağlayın.

1. Bağlantı manşonu üzerindeki somunu çıkarın ve basınca dayanıklı su hortumunu somundan geçirin. Hortumun ucunu bağlantı manşonuna sokun ve daha sonra somunu sıkın.

► **Şek.16:** 1. Basınca dayanıklı su hortumu
2. Bağlantı manşonu somunu 3. Bağlantı manşonu

NOT: Basınca dayanıklı su hortumunu musluğa bir bağlantı manşonu ile bağlayacaksanız manşonu hortumun her iki ucuna takın.

2. Basınca dayanıklı su hortumunu musluğa bağlayın. Hortumun ucunu musluğa sabitlemek için hortum kelepçesi veya musluk rakoru gibi uygun bir bağlantı parçası kullanın.

► **Şek.17:** 1. Hortum kelepçesi 2. Musluk rakoru
3. Basınca dayanıklı su hortumu

NOT: Bağlantı parçası, bağlayacağınız musluğun şeklinde bağlıdır. Piyasadan alınan uygun bir bağlantı parçası hazırlayın.

3. Su hortumu rakorunu (musluk işareti olan) girişe takın ve daha sonra bağlantı manşonunu geçirin.

► **Şek.18:** 1. Bağlantı manşonu 2. Su hortumu rakoru
3. Giriş

Nozulun takılması/çıkarılması

⚠ DİKKAT: Nozulu takarken/çıkarırken tetiği daima kilitleyin.

Nozulun ucunu tetikli tabanca üzerindeki yuvaya sokun ve şekilde gösterildiği gibi ok yönünde çevirin. Ayırmak için nozulu, tetikli tabancaya doğru bastırarak ters yönde çevirin.

► **Şek.19:** 1. Tetikli tabanca 2. Yuva 3. Nozulun ucu

Bazı opsiyonel nozullar, tetikli tabancaya bağlamak için bağlantı rakoru (isteğe bağlı aksesuar) gerektirirler. Bağlantı rakorunu tetikli tabancaya, nozulla aynı şekilde takın.

► **Şek.20:** 1. Nozul 2. Bağlantı rakoru 3. Tetikli tabanca

NOT: Diğer modellerle, HW112 veya HW121 verilen nozulları kullanırken bağlantı rakoru gerekir.

Köpük nozulunun takılması

⚠ DİKKAT: Nozulu takarken/çıkarırken tetiği daima kilitleyin.

Köpük nozulunu kullanmadan önce bir deterjan hazırlayın.

1. Nozulu saatin aksi yönüne döndürerek kaptan çıkarın. Nozulu tetikli tabancaya takın.

► **Şek.21:** 1. Nozul 2. Tetikli tabanca

2. Deterjanı kaba boşaltın ve kabı nozula takın.

► **Şek.22:** 1. Kap

ÖNEMLİ NOT: Daima nötr deterjan kullanın. Asitli veya alkali deterjan kaba veya nozula zarar verebilir.

KULLANIM

⚠UYARI: Su jetine dokunmayın veya kendinize ya da başkalarına doğru doğrultmayın. Su jeti tehlikelidir ve size veya başkalarına zarar verebilir.

⚠UYARI: Su jetini kullanırken asla temizlediğiniz nesneyi tutmayın veya ellerinizi ve ayaklarınızı su jetinin yanına koymayın.

⚠DİKKAT: Su jetinin geri sekmesine ve fırlayan nesnelere karşı dikkatli olun. Nozulu 30 cm'den daha yakına getirmeyin.

⚠DİKKAT: Basınçlı yıkama makinasını susuz 1 dakikadan daha uzun çalıştırmayın.

⚠DİKKAT: Basınçlı yıkama makinasını uzun süre çalıştırmayın. Aşırı ısınmaya veya yangına neden olabilir. Ayrıca uzun süreli kullanım titreşim hastalığına neden olabilir.

⚠DİKKAT: Rüzgarın yönüne dikkat edin. Deterjan gözünüze veya ağzınıza kaçarsa derhal temiz su ile yıkayın ve gerekirse doktora başvurun.

ÖNEMLİ NOT: Basınçlı yıkama makinasını 1 saatten daha uzun kullanmaktan kaçının. 1 saat kullandıktan sonra aynı süreyle mola verin.

1. Yüksek basınç hortumunun ucunu tetikli tabancaya bağlayın. HW1200 için diğer ucu basınçlı yıkama makinasına bağlayın. HW1300 için hortumu sonuna kadar sağın.
2. Basınçlı yıkama makinasını musluğa bağlayın ve daha sonra musluğa açın.
► **Şek.23**

ÖNEMLİ NOT: Basınçlı yıkama makinasının mekanizmasını korumak için 40°C'den daha sıcak su kullanmayın.

3. Basınçlı yıkama makinasını elektrik şebekesine bağlayın ve makinayı açın.
► **Şek.24:** 1. Güç düğmesi
4. Su jeti püskürtmek için durdurucuyu açın ve tetiğe basın. Tetik basılı olduğu sürece jet devam eder.
► **Şek.25:** 1. Durdurucu

⚠DİKKAT: Tetikli tabancayı sıkıca tutun. Tetiğe bastığınızda tetikli tabanca geri teper.

⚠DİKKAT: Temizlerken tetikli tabancayı daima kabzasından ve namlusundan tutun. Motor çalışırken taşıma kolu ve güç düğmesi dışında basınçlı yıkama makinasının gövdesinin hiçbir kısmına dokunmayın.

ÖNEMLİ NOT: Kullanım sırasında tetikli tabancayı kuvvetli bir biçimde çekmemeye dikkat edin. Basınçlı yıkama makinasının devrilmesine neden olabilir.

Kullanım sonunda

⚠DİKKAT: Kullanım sonunda bu kılavuzda anlatılan işlemleri daima uygulayın. Tetikli tabanca veya basınçlı yıkama makinasındaki artık basınç yaranmaya veya içerideki pompanın hasar görmesine neden olabilir.

1. Kullanım sonunda güç düğmesini açık konumda bırakın.
2. Musluğu kapatın ve su hortumunu basınçlı yıkama makinasından ayırın.
► **Şek.26**

3. Basınçlı yıkama makinasında kalan su boşalana dek tetiğe basın.

Motoru 1 dakikadan daha uzun çalıştırmayın.

► **Şek.27**

4. Basınçlı yıkama makinasını kapatın ve fişini prizden çekin.

► **Şek.28:** 1. Güç düğmesi

5. Yüksek basınç hortumunu tetikli tabancadan ayırın.

► **Şek.29:** 1. Tetikli tabanca 2. Yüksek basınç hortumu

HW1200 için ayrıca yüksek basınç hortumunu basınçlı yıkama makinasından ayırın.

► **Şek.30:** 1. Yüksek basınç hortumu

HW1300 için hortumu sarın ve hortumun ucunu sabitleyin.

► **Şek.31:** 1. Mandal 2. Kol

ÖNEMLİ NOT: Yüksek basınç hortumunun zarar görmesini engellemek için depolamadan önce hortumda kalan suyu boşaltın.

BAKIM ve SAKLAMA

⚠DİKKAT: Muayene ya da bakım yapmadan önce aletin kapalı ve fişinin çekili olduğundan daima emin olun.

ÖNEMLİ NOT: Benzin, tiner, alkol ve benzeri maddeleri kesinlikle kullanmayın. Renk değişimi, deformasyon veya çatlaklar oluşabilir.

Nozulun temizlenmesi

Nozuldan kırı gidermek veya tıkanıklığı açmak için temizleme iğnesini kullanın.

► **Şek.32:** 1. Temizleme iğnesi

ÖNEMLİ NOT: Kir veya pisliği zorla gidermeyin. Yaralanmaya veya sapmış jet açılırları ya da düşük performansa yol açacak şekilde püskürtme deliğinin hasar görmesine neden olabilir.

Filtrenin temizlenmesi

Su hortumu rakorunu çıkarın ve filtrenin içindeki kir ve pisliği temizleyin.

► **Şek.33:** 1. Su hortumu rakoru 2. Filtre 3. Conta

Emme hortum setini (isteğe bağlı aksesuar) kullanırken filtreyi filtre mahfazasından çıkararak kir ve pisliği temizleyin.

► **Şek.34:** 1. Filtre 2. Filtre mahfazası

NOT: En uygun performansı korumak için filtreyi düzenli olarak temizleyin.

Depolama

Hortumu ve kabloyu sarın. Tetikli tabanca ve nozulları ceplere yerleştirin.

HW1200

► **Şek.35**

HW1300

► **Şek.36**

⚠DİKKAT: Daima sıcaklığın donma noktasının altına düşmediği kapalı bir mekanda depolayın. Basınçlı yıkama makinası donar ve arızalanırsa onarım için yerel servisimize başvurun.

⚠DİKKAT: Basınçlı yıkama makinasını taşıırken daima taşıma kolunu kullanın. Hortum veya kablodan çekerek taşımayın. Hortum veya kablo hasar görebilir.

⚠DİKKAT: Basınçlı yıkama makinasını hortum ve/veya kablo sarılı değilken taşımayın. Sağılmış hortum veya kablo hasar görebilir veya başka nesnelere dolanarak yaralanma veya kopmaya neden olabilir.

Aleti EMNİYETLİ ve ÇALIŞMAYA HAZIR durumda tutmak için onarımlar, başka her türlü bakım ve ayarlamalar daima Makita yedek parçaları kullanılarak Makita yetkili servis merkezleri veya Fabrikanın Servis Merkezleri tarafından yapılmalıdır.

SORUN GİDERME

Onarım için servise gitmeden önce kontrolleri yapın. Kılavuzda açıklanmayan bir problemle karşılaşırsanız aleti demonte etmeyin. Bunun yerine, Makita Yetkili Servis Merkezlerine başvurun ve daima orijinal Makita yedek parçaları kullanın.

Anormal durum	Olası nedeni (arıza)	Çözümü
Yıkama makinası çalışmıyor.	Elektrik yok	Fişi elektrik prizine takın. Ayrıca şebekede elektrik olup olmadığını kontrol edin.
	Düğme açık konumda değil.	Düğmeyi açık konuma alın.
	Pompada artık basınç	Tetiğe basın.
	Hasarlı kablo veya elektrik devresi	Onarım için yetkili servise başvurun.
Su jeti yok / zayıf su jeti	Su beslemesi yok	Musluğun açık olduğundan emin olun. Emme hortum seti kullanılıyorsa hortuma su çekin.
	Zayıf su beslemesi	Musluğu açın.
	Kötü su hortumu bağlantısı	Su hortumu ile musluk ve basınçlı yıkama makinası üzerindeki giriş arasındaki bağlantıyı kontrol edin.
	Tıkalı hortum, filtre veya nozul	Hortum, filtre veya nozulun tıkanıklığını giderin.
	Hava su akışını engelliyor.	Düğmeyi kapalı konuma alın ve tetiğe basarak tekrar açık konuma alın.
	Hasarlı veya aşınmış nozul	Nozulu değiştirin.
	Pompa veya vana arızası	Onarım için yetkili servise başvurun.
İstikrarsız su jeti.	Tıkalı nozul	Temizleme iğnesini kullanarak nozulun püskürtme deliğini açın.
	Zayıf su emmesi	Musluktan başlayarak su hortumunu kaçak veya tıkanıklıklara karşı kontrol edin. Musluğu açın.
	Su çok sıcak.	Daha soğuk su sağlayın.
	Vana arızası	Onarım için yetkili servise başvurun.
Anormal ses.	Su çok sıcak.	Daha soğuk su sağlayın.
	Pompada hava sıkışması.	Onarım için yetkili servise başvurun.
Su/yağ kaçağı.	Kötü bağlantı	Yüksek basınç hortumu ile tetikli tabanca ve basınçlı yıkama makinası arasındaki bağlantıyı kontrol edin.
	Aşınmış contalar	Onarım için yetkili servise başvurun.
Motor sesi duyulmasına rağmen pompa çalışmıyor.	Uygun olmayan uzatma kablosu.	Sadece ürünün elektrik değerlerine uygun uzatma kablosu kullanın.

İSTEĞE BAĞLI AKSESUARLAR

⚠DİKKAT: Bu aksesuarlar ve ek parçalar bu el kitabında belirtilen Makita aletiniz ile kullanılmak için tavsiye edilmektedir. Herhangi başka bir aksesuar ya da ek parça kullanılması insanlar için bir yaralanma riski getirebilir. Aksesuarları ya da ek parçaları yalnızca belirtilmiş olan kullanım amaçlarına uygun olarak kullanın.

Bu aksesuarlarla ilgili daha fazla bilgiye ihtiyaç duyarsanız bulunduğunuz yerdeki yetkili Makita servisine başvurun.

NOT: Listedeki parçaların bazıları alet paketi içerisinde standart aksesuar olarak dahil edilmiş olabilir. Bunlar ülkeden ülkeye farklılık gösterebilir.

Püskürtme borusu

► Şek.37

Nozulun ön ucu döndürülerek jet genişliği 0° ile 25° arasında ayarlanabilir.

⚠DİKKAT: Jet genişliğini ayarlarken nozulu tetikli tabancaya doğru çekerken döndürmeyin. Nozul tetikli tabancadan çıkabilir ve yaralanmaya neden olabilir.

Yıkama fırçası (uzun)

► Şek.38

Fırça ile donatılmış bir nozul. Kiri fırça ile fırçalayarak gidermek için kullanışlıdır.

Emme hortum seti

► Şek.39

Bir tank veya su deposundan su sağlamak için su hortumunu bu setle değiştirin.

Döner yıkama fırçası

► Şek.40

Jeti püskürtürken içindeki üç fırça yavaşça döner. Dış duvar, araç kaportası, banyo küveti, vb. üzerindeki hafif kirleri temizlemek için uygundur.

Boru uzatması

► Şek.41

Tetikli tabancanın uzunluğunu artırmak için borular. Kullanılacak boruların adedini değiştirerek üç farklı uzunluk elde edilebilir.

Gövde altı püskürtme borusu

► Şek.42

Köşeli nozula sahip ekstra uzun püskürtme borusu. Aracın gövde altını ve yağmur oluğu gibi erişmesi zor yerleri temizlemek için idealdir.

⚠DİKKAT: Gövde altı püskürtme borusunu boru uzatması ile kullanmayın.

Şıçrama siperi

► Şek.43

Kir giderici ile köşeleri temizlerken geri şıçramaları azaltır.

Döner mafsal

► Şek.44

Yüksek basınç hortumunun burkulmasını engeller.

Bağlantı rakoru

► Şek.45

Başka bir modele ait nozulu bağlamak için rakor.

NOT: Diğer modellerde, HW112 veya HW121 verilen nozulları kullanırken bağlantı rakoru gerekir.

Boru temizleme seti (10 m/15 m)

► Şek.46

Sihhi tesisat ve iniş borularını temizlemek ve açmak için.

⚠DİKKAT: Boru temizleme setini kullanırken su jetine dikkat edin. Oldukça yoğun su jeti geriye doğru püskürtülür.

Yüksek basınç uzatma hortumu (5 m/8 m/10 m)

► Şek.47

Basınçlı yıkama makinası gövdesini tetikli tabancaya bağlamak için uzatma hortumu.

Makita Europe N.V. Jan-Baptist Vinkstraat 2,
3070 Kortenberg, Belgium

Makita Corporation 3-11-8, Sumiyoshi-cho,
Anjo, Aichi 446-8502 Japan

www.makita.com

885542B990 EN, FR, DE, IT, NL, ES, PT, DA, EL, TR 20170308
