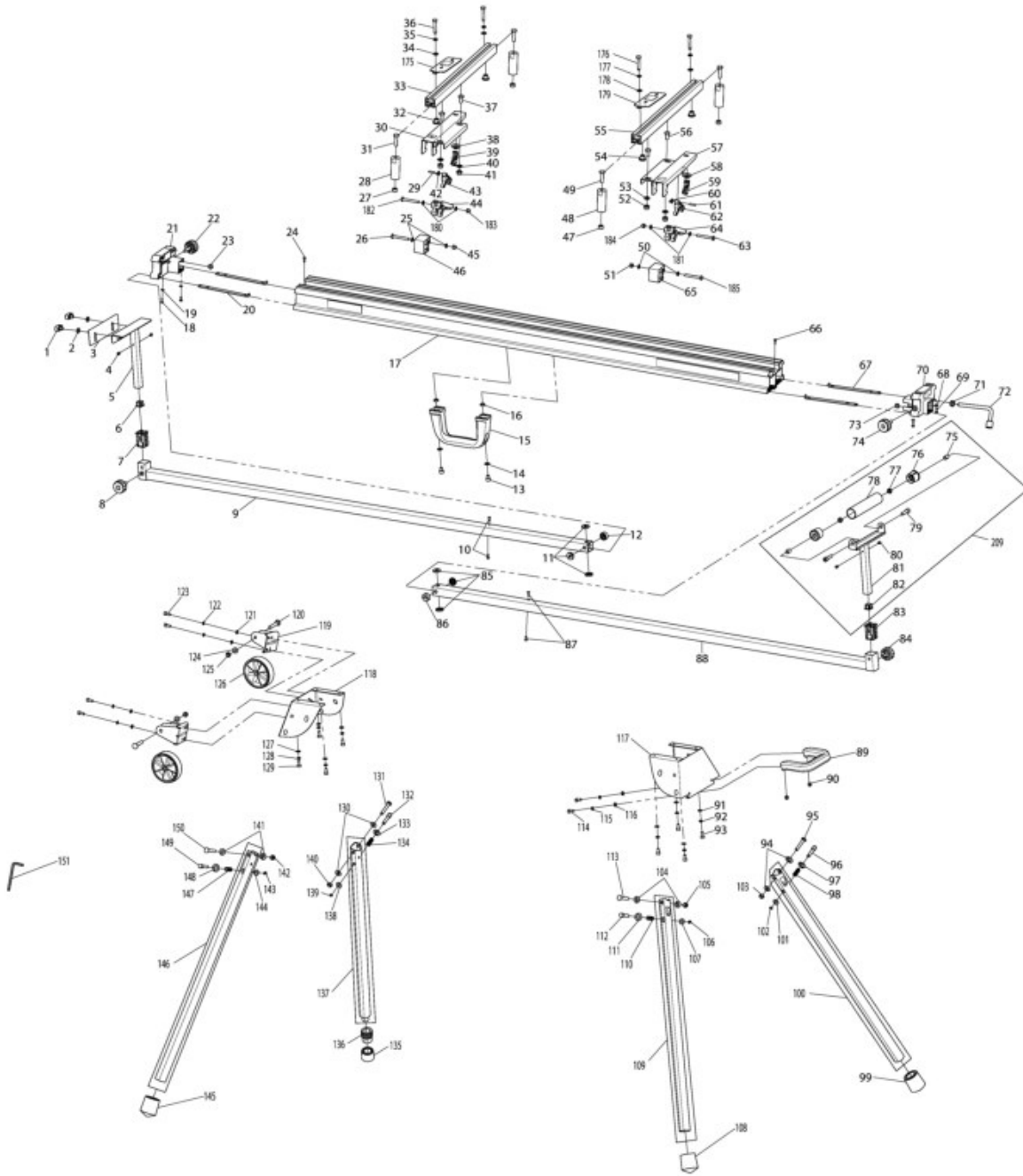


Model No.WST07 MITER SAW STAND



Model No.WST07 MITER SAW STAND

Position	Artikel-Nr.	Beschreibung	I/C	Stk.	New/Old	Opt. 1	Opt. 2	Hinweis
001	JM23400040	KNOB		2				
002	JM21000060	FLAT WASHER 8		2				
003	JM23600001	SET PLATE		1				
004	JM23600002	H.S.BOLT M4X6		2				
005	JM23600003	SUPPORT BRACKET		1				
006	JM23600004	COVER		1				
007	JM23600005	SLEEVE		1				
008	JM23600006	LOCK KNOB A		1				
009	JM00000220	EXT. WING		1				
010	JM00000221	CROSS HEAD SCREW M4X10		2				
011	JM23600008	PAD A		3				
012	JM23600009	PAD B		1				
013	JM23600010	H.S.BOLT M8X12		2				
014	JM21000060	FLAT WASHER 8		2				
015	JM23600011	CARRY HANDLE		1				
016	JM23600012	HEX NUT M8		2				
017	JM00000222	MAIN FRAME COMPLETE		1				
C10	JM00000193	LOGO LABEL		1				
C20	JM00000197	CAUTION LABEL		1				
018	JM23600014	CROSS HEAD SCREW M4		2				
019	JM21000026	FLAT WASHER 4		2				
020	JM23600013	FIX LINK PLATE		2				
021	JM00000224	RAIL COVER		1				
022	JM23600016	LOCK KNOB B		1				
023	JM23600012	HEX NUT M8		1				
024	JM00000225	SELF-TAPPING SCREW ST3.5X13		1				
025	JM27000024	FLAT WASHER 6		2				
026	JM00000167	CROSS HEAD SCREW M6X50		1				
027	JM21000058	HEX NUT M8		2				
028	JM00000166	FOOT		2				
029	JM00000174	PIN 4X18		1				
030	JM00000226	BRACKET L COMPLETE		1				
031	JM00000165	HEX BOLT M8X30		2				
032	JM23600028	SLOT NUT M8		2				
033	JM23600029	SLIDING RAIL		1				
034	JM21000060	FLAT WASHER 8		2				
035	JM21000059	SPRING WASHER 8		2				
036	JM23600059	HEX BOLT M8		2				
037	JM23600027	HEX BOLT M8		2				
038	JM00000227	SPRING BUSH		1				
039	JM00000176	SPRING A		1				
040	JM21000060	FLAT WASHER 8		2				

Please order the parts with part number.

Print Date 1/9/2020

Model No.WST07 MITER SAW STAND

Position	Artikel-Nr.	Beschreibung	I/C	Stk.	New/Old	Opt. 1	Opt. 2	Hinweis
041	JM21000106	LOCKNUT M8		2				
042	JM00000173	SPRING B		1				
043	JM00000172	SAFETY LEVER		1				
044	JM00000175	LOCK LEVER		1				
045	JM00000169	LOCK NUT M6		1				
046	JM00000168	LOCK HOLDER		1				
047	JM21000058	HEX NUT M8		2				
048	JM00000166	FOOT		2				
049	JM00000165	HEX BOLT M8X30		2				
050	JM27000024	FLAT WASHER 6		2				
051	JM00000169	LOCK NUT M6		1				
052	JM21000106	LOCKNUT M8		2				
053	JM21000060	FLAT WASHER 8		2				
054	JM23600028	SLOT NUT M8		2				
055	JM23600029	SLIDING RAIL		1				
056	JM23600027	HEX BOLT M8		2				
057	JM00000228	BRACKET RIGHT COMPLETE		1				
058	JM00000227	SPRING BUSH		1				
059	JM00000176	SPRING A		1				
060	JM00000173	SPRING B		1				
061	JM00000174	PIN 4X18		1				
062	JM00000172	SAFETY LEVER		1				
063	JM00000167	CROSS HEAD SCREW M6X50		1				
064	JM00000175	LOCK LEVER		1				
065	JM00000168	LOCK HOLDER		1				
066	JM00000225	SELF-TAPPING SCREW ST3.5X13		1				
067	JM23600013	FIX LINK PLATE		2				
068	JM21000026	FLAT WASHER 4		2				
069	JM23600014	CROSS HEAD SCREW M4		2				
070	JM00000224	RAIL COVER		1				
071	JM23600033	TUBE		1				
072	JM23600058	WRENCH 13		1				
073	JM23600012	HEX NUT M8		1				
074	JM23600016	LOCK KNOB B		1				
075	JM23400038	SPACER		2				
076	JM23400035	ROLLER COVER		2				
077	JM21000106	LOCKNUT M8		2				
078	JM23400036	ROLLER		1				
079	JM23600034	H.S.BOLT M8		2				
080	JM23600002	H.S.BOLT M4X6		2				
081	JM23600035	ROLLER SUPPORT		1				
082	JM23600004	COVER		1				

Please order the parts with part number.

Print Date 1/9/2020

Model No.WST07 MITER SAW STAND

Position	Artikel-Nr.	Beschreibung	I/C	Stk.	New/Old	Opt. 1	Opt. 2	Hinweis
083	JM23600005	SLEEVE		1				
084	JM23600006	LOCK KNOB A		1				
085	JM23600008	PAD A		3				
086	JM23600009	PAD B		1				
087	JM00000221	CROSS HEAD SCREW M4X10		2				
088	JM00000220	EXT. WING		1				
089	JM23600036	PULL HANDLE		1				
090	JM21000063	HEX NUT M6		2				
091	JM21000035	FLAT WASHER 6		4				
092	JM21000034	SPRING WASHER 6		4				
093	JM23600053	H.S.BOLT M6		4				
094	JM23600041	FRICTION PAD 8		2				
095	JM23600037	BOLT M8		1				
096	JM23600038	PIN		1				
097	JM23600039	FRICTION PAD 13		1				
098	JM23600040	POSITION SPRING		1				
099	JM00000234	LEG FEET,B		1				
100	JM00000235	LEG A COMPLETE		1				
101	JM21000060	FLAT WASHER 8		1				
102	JM23600042	E RING 6		1				
103	JM21000106	LOCKNUT M8		1				
104	JM23600041	FRICTION PAD 8		2				
105	JM21000106	LOCKNUT M8		1				
106	JM23600042	E RING 6		1				
107	JM21000060	FLAT WASHER 8		1				
108	JM00000234	LEG FEET,B		1				
109	JM00000235	LEG A COMPLETE		1				
110	JM23600040	POSITION SPRING		1				
111	JM23600039	FRICTION PAD 13		1				
112	JM23600038	PIN		1				
113	JM23600037	BOLT M8		1				
114	JM23600053	H.S.BOLT M6		2				
115	JM21000034	SPRING WASHER 6		2				
116	JM21000035	FLAT WASHER 6		2				
117	JM23600052	MAIN SUPPORT BRACKET B		1				
118	JM23600054	MAIN SUPPORT BRACKET A		1				
119	JM23600055	WHEEL BRACKET		2				
120	JM23600056	BOLT M8		2				
121	JM21000035	FLAT WASHER 6		4				
122	JM21000034	SPRING WASHER 6		4				
123	JM23600053	H.S.BOLT M6		4				
124	JM21000060	FLAT WASHER 8		2				

Model No.WST07 MITER SAW STAND

Position	Artikel-Nr.	Beschreibung	I/C	Stk.	New/Old	Opt. 1	Opt. 2	Hinweis
125	JM21000106	LOCKNUT M8		2				
126	JM23600057	WHEEL		2				
127	JM21000035	FLAT WASHER 6		4				
128	JM21000034	SPRING WASHER 6		4				
129	JM23600053	H.S.BOLT M6		4				
130	JM23600041	FRICTION PAD 8		2				
131	JM23600037	BOLT M8		1				
132	JM23600038	PIN		1				
133	JM23600039	FRICTION PAD 13		1				
134	JM23600040	POSITION SPRING		1				
135	JM00000238	LEG FEET,A		1				
136	JM23600049	ADJUSTING NUT		1				
137	JM23610005	LEG C COMPLETE		1				
138	JM21000060	FLAT WASHER 8		1				
139	JM23600042	E RING 6		1				
140	JM21000106	LOCKNUT M8		1				
141	JM23600041	FRICTION PAD 8		2				
142	JM21000106	LOCKNUT M8		1				
143	JM23600042	E RING 6		1				
144	JM21000060	FLAT WASHER 8		1				
145	JM00000234	LEG FEET,B		1				
146	JM00000235	LEG A COMPLETE		1				
147	JM23600040	POSITION SPRING		1				
148	JM23600039	FRICTION PAD 13		1				
149	JM23600038	PIN		1				
150	JM23600037	BOLT M8		1				
151	JM23400087	HEX. WRENCH 5		1				
175	JM00000241	SPACER PLATE COMPLETE		1				
176	JM23600059	HEX BOLT M8		2				
177	JM21000059	SPRING WASHER 8		2				
178	JM21000060	FLAT WASHER 8		2				
179	JM00000241	SPACER PLATE COMPLETE		1				
180	JM27000024	FLAT WASHER 6		2				
181	JM27000024	FLAT WASHER 6		2				
182	JM00000167	CROSS HEAD SCREW M6X50		1				
183	JM00000169	LOCK NUT M6		1				
184	JM00000169	LOCK NUT M6		1				
185	JM00000167	CROSS HEAD SCREW M6X50		1				
209	JM00000256	ROLLER SET		1				
D10		INC. 75-82						

Please order the parts with part number.

Print Date 1/9/2020