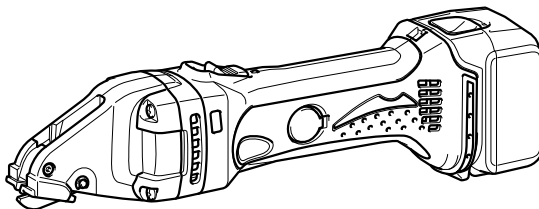




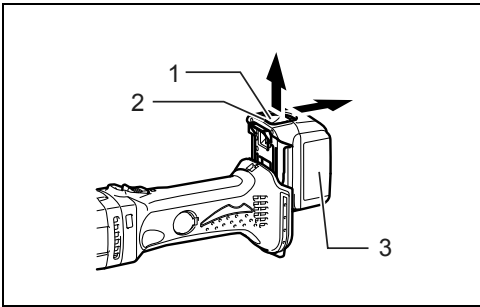
GB	Cordless Metal Shear	Instruction manual
F	Cisaille sans fil	Manuel d'instructions
D	Akku-Blechscherer	Betriebsanleitung
I	Cesoie per metallo a batteria	Istruzioni per l'uso
NL	Accuplaatschaar	Gebruiksaanwijzing
E	Cizalla inalámbrica para metal	Manual de instrucciones
P	Tesoura faca a bateria	Manual de instruções
DK	Batteridreven pladesaks	Brugsanvisning
GR	Μεταλλικό ψαλίδι μπαταρίας	Οδηγίες χρήσης

DJS160
DJS161
DJS100
DJS101



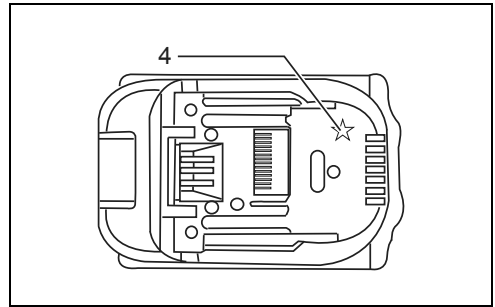
010082





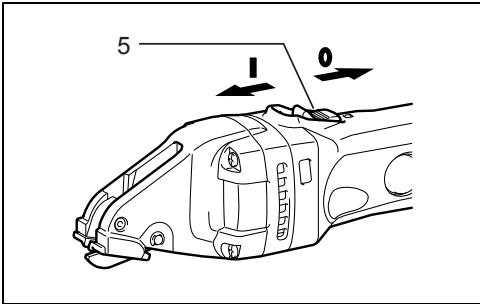
1

014128



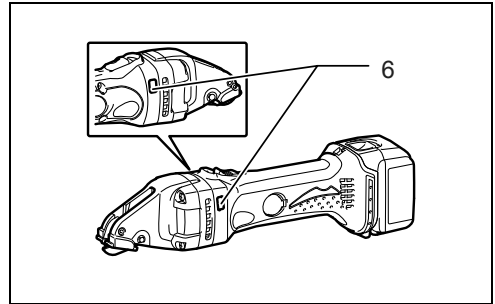
2

012128



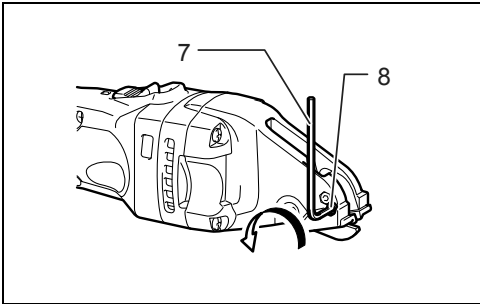
3

010088



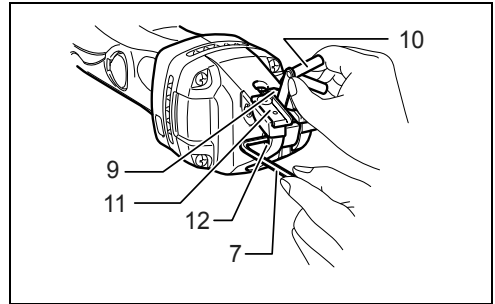
4

010089



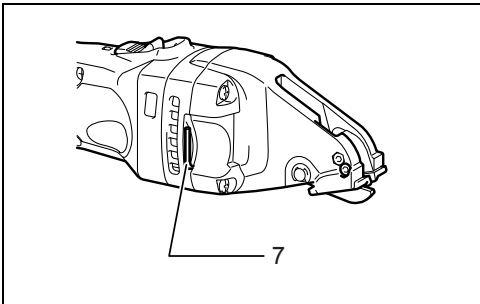
5

010085



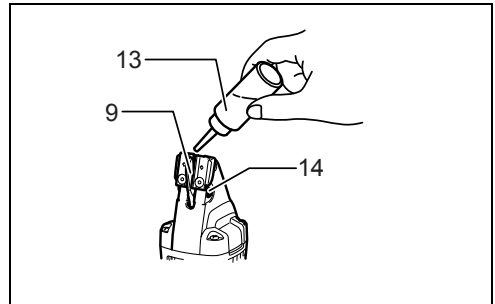
6

010086



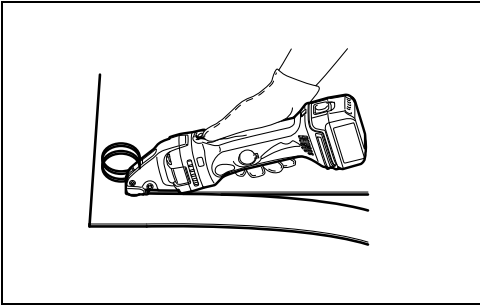
7

010087



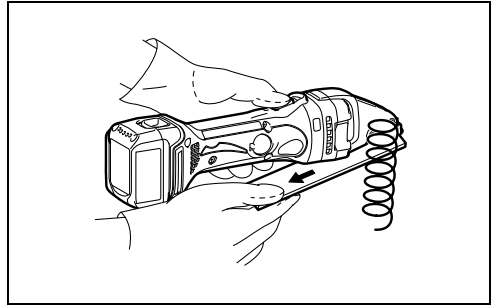
8

010084



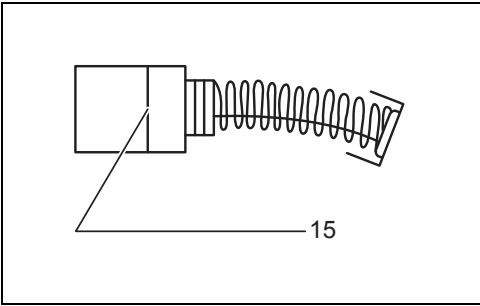
9

010090



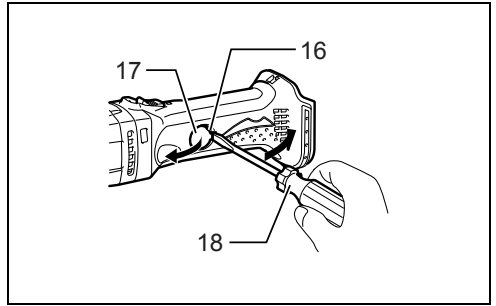
10

010091



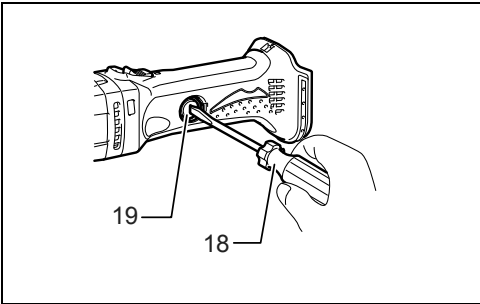
11

001145



12

010092



13

010093

ENGLISH (Original instructions)

Explanation of general view

- | | | |
|----------------------|--------------------------|------------------------|
| 1. Button | 8. Screw | 15. Limit mark |
| 2. Red indicator | 9. Center blade | 16. Brush holder cover |
| 3. Battery cartridge | 10. Thickness gauge | 17. Notch |
| 4. Star marking | 11. Side blade | 18. Screwdriver |
| 5. Switch lever | 12. Hex socket head bolt | 19. Brush holder cap |
| 6. Indicating lamp | 13. Oil supply | |
| 7. Hex wrench | 14. Pin | |

SPECIFICATIONS

Model		DJS160	DJS161	DJS100	DJS101
Max. cutting capacities	Steel up to 400 N/mm ²	1.6 mm (16 ga.)		1.0 mm (20 ga.)	
	Steel up to 600 N/mm ²	1.2 mm (18 ga.)		0.7 mm (23 ga.)	
	Aluminum up to 200 N/mm ²	2.5 mm (13 ga.)		2.5 mm (12 ga.)	
Min. cutting radius		250 mm		30 mm	
Strokes per minute (min ⁻¹)		4,300		4,300	
Overall length		362 mm		364 mm	
Net weight		1.9 kg	2.0 kg	1.9 kg	2.0 kg
Rated voltage		D.C. 14.4V	D.C. 18V	D.C. 14.4V	D.C. 18V

- Due to our continuing program of research and development, the specifications herein are subject to change without notice.
- Specifications and battery cartridge may differ from country to country.
- Weight, with battery cartridge, according to EPTA-Procedure 01/2003

Symbols

END004-6

The following show the symbols used for the equipment.
Be sure that you understand their meaning before use.



..... Read instruction manual.



..... Only for EU countries

Do not dispose of electric equipment or battery pack together with household waste material!

In observance of the European Directives, on Waste Electric and Electronic Equipment and Batteries and Accumulators and Waste Batteries and Accumulators and their implementation in accordance with national laws, electric equipment and batteries and battery pack(s) that have reached the end of their life must be collected separately and returned to an environmentally compatible recycling facility.

Intended use

ENE037-1

The tool is intended for cutting sheet steel and stainless sheet steel.

General Power Tool Safety Warnings

GEA010-1

⚠ WARNING Read all safety warnings and all instructions. Failure to follow the warnings and

instructions may result in electric shock, fire and/or serious injury.

Save all warnings and instructions for future reference.

CORDLESS SHEAR SAFETY WARNINGS

GEB067-1

1. **Hold the tool firmly.**
2. **Secure the workpiece firmly.**
3. **Keep hands away from moving parts.**
4. **Edges and chips of the workpiece are sharp. Wear gloves. It is also recommended that you put on thickly bottomed shoes to prevent injury.**
5. **Do not put the tool on the chips of the workpiece. Otherwise it can cause damage and trouble on the tool.**
6. **Do not leave the tool running. Operate the tool only when hand-held.**
7. **Always be sure you have a firm footing. Be sure no one is below when using the tool in high locations.**
8. **Do not touch the blade or the workpiece immediately after operation; they may be extremely hot and could burn your skin.**
9. **Avoid cutting electrical wires. It can cause serious accident by electric shock.**

SAVE THESE INSTRUCTIONS.

WARNING:

DO NOT let comfort or familiarity with product (gained from repeated use) replace strict adherence to safety rules for the subject product. MISUSE or failure to follow the safety rules stated in this instruction manual may cause serious personal injury.

IMPORTANT SAFETY INSTRUCTIONS

ENC007-8

FOR BATTERY CARTRIDGE

1. Before using battery cartridge, read all instructions and cautionary markings on (1) battery charger, (2) battery, and (3) product using battery.
2. Do not disassemble battery cartridge.
3. If operating time has become excessively shorter, stop operating immediately. It may result in a risk of overheating, possible burns and even an explosion.
4. If electrolyte gets into your eyes, rinse them out with clear water and seek medical attention right away. It may result in loss of your eyesight.
5. Do not short the battery cartridge:
 - (1) Do not touch the terminals with any conductive material.
 - (2) Avoid storing battery cartridge in a container with other metal objects such as nails, coins, etc.
 - (3) Do not expose battery cartridge to water or rain.

A battery short can cause a large current flow, overheating, possible burns and even a breakdown.

6. Do not store the tool and battery cartridge in locations where the temperature may reach or exceed 50°C (122°F).
7. Do not incinerate the battery cartridge even if it is severely damaged or is completely worn out. The battery cartridge can explode in a fire.
8. Be careful not to drop or strike battery.
9. Do not use a damaged battery.
10. Follow your local regulations relating to disposal of battery.

SAVE THESE INSTRUCTIONS.

Tips for maintaining maximum battery life

1. Charge the battery cartridge before completely discharged.

Always stop tool operation and charge the battery cartridge when you notice less tool power.
2. Never recharge a fully charged battery cartridge. Overcharging shortens the battery service life.
3. Charge the battery cartridge with room temperature at 10°C - 40°C (50°F - 104°F). Let a hot battery cartridge cool down before charging it.
4. Charge the battery cartridge once in every six months if you do not use it for a long period of time.

FUNCTIONAL DESCRIPTION

CAUTION:

- Always be sure that the tool is switched off and the battery cartridge is removed before adjusting or checking function on the tool.

Installing or removing battery cartridge (Fig. 1)

⚠ CAUTION:

- Always switch off the tool before installing or removing of the battery cartridge.
- Hold the tool and the battery cartridge firmly when installing or removing battery cartridge. Failure to hold the tool and the battery cartridge firmly may cause them to slip off your hands and result in damage to the tool and battery cartridge and a personal injury.

To remove the battery cartridge, slide it from the tool while sliding the button on the front of the cartridge.

To install the battery cartridge, align the tongue on the battery cartridge with the groove in the housing and slip it into place. Insert it all the way until it locks in place with a little click. If you can see the red indicator on the upper side of the button, it is not locked completely.

⚠ CAUTION:

- Always install the battery cartridge fully until the red indicator cannot be seen. If not, it may accidentally fall out of the tool, causing injury to you or someone around you.
- Do not install the battery cartridge forcibly. If the cartridge does not slide in easily, it is not being inserted correctly.

Battery protection system

The tool is equipped with a battery protection system. This system automatically cuts off power to the motor to extend battery life.

The tool will automatically stop during operation if the tool and/or battery are placed under one of the following conditions:

- Overloaded:

The tool is operated in a manner that causes it to draw an abnormally high current.

In this situation, turn the tool off and stop the application that caused the tool to become overloaded. Then turn the tool on to restart.

If the tool does not start, the battery is overheated. In this situation, let the battery cool before turning the tool on again.

- Low battery voltage:

The remaining battery capacity is too low and the tool will not operate. In this situation, remove and recharge the battery.

NOTE:

The overheat protection works only with a battery cartridge with a star mark. (Fig. 2)

Switch action (Fig. 3)

CAUTION:

- Before inserting the battery cartridge into the tool, always check to see that the switch lever actuates

properly and returns to the "OFF" position when the rear of the switch lever is depressed.

- Switch can be locked in "ON" position for ease of operator comfort during extend use. Apply caution when locking tool in "OFF" position and maintain firm grasp on tool.

To start the tool, slide the switch lever toward the "I (ON)" position. For continuous operation, press the front of the switch lever to lock it.

To stop the tool, press the rear of the switch lever, then slide it toward the "O (OFF)" position.

Indication lamp with multi function (Fig. 4)

Indication lamps are located in two positions.

- **Battery cartridge replacing signal**
 - When the battery power is almost used up during operation, the red lamp lights up and the tool stops immediately. Replace the battery with fully charged one when the red lamp lights up.
- **Accidental re-start preventive function**
 - Even if the battery cartridge is inserted on the tool with the slide switch in the "I (ON)" position, the tool does not start. At this time, the lamp flickers slowly and this shows that the accidental re-start preventive function is at work.
 - To start the tool, first slide the slide switch toward the "O (OFF)" position and then slide it toward the "I (ON)" position.

ASSEMBLY

CAUTION:

- Always be sure that the tool is switched off and the battery cartridge is removed before carrying out any work on the tool.

Adjusting the blade clearance

For DJS160 and DJS161 only

Adjust the clearance between the side blade and the center blade according to the thickness of the workpiece.

(Fig. 5)

First use a hex wrench to loosen the screw. (Fig. 6)

Then use the hex wrench to adjust the clearance by tightening or loosening the bolt. There may be a slight difference between clearance of both sides of the center blade.

Check the smaller clearance with the thickness gauge and adjust it.

When using the thickness gauge to adjust the blade clearance, refer to the table.

Workpiece thickness (mm)	Marking on thickness gauge
Less than 0.8	0.5
0.8 - 1.3	1.0
More than 1.3	1.5

006428

After adjusting the clearance, tighten the screw securely.

Storing hex wrench (Fig. 7)

Store the hex wrench as shown in the figure when not in use.

OPERATION

Lubrication (Fig. 8)

Before operation, lubricate the contact point of the center blade and the pin. To keep good cutting performance, also use a cutting lubricant from time to time during operation.

OPERATION (Fig. 9)

Turn the tool on and set front ends of the side blades on the workpiece. Now simply move the tool forward, keeping the side blades flush with the workpiece surface. (Fig. 10)

CAUTION:

- When cutting a small portion of the workpiece, you may have difficulty completing the end of the cut. In that case, try to cut it again, pulling the workpiece back slightly.

MAINTENANCE

CAUTION:

- Always be sure that the tool is switched off and the battery cartridge is removed before attempting to perform inspection or maintenance.

NOTICE:

- Never use gasoline, benzine, thinner, alcohol or the like. Discoloration, deformation or cracks may result. The tool and its air vents have to be kept clean. Regularly clean the tool's air vents or whenever the vents start to become obstructed.

Replacing carbon brushes (Fig. 11)

Remove and check the carbon brushes regularly. Replace when they wear down to the limit mark. Keep the carbon brushes clean and free to slip in the holders. Both carbon brushes should be replaced at the same time. Use only identical carbon brushes.

Insert the top end of slotted bit screwdriver into the notch in the tool and remove the holder cap cover by lifting it up.

(Fig. 12)

Use a screwdriver to remove the brush holder caps. Take out the worn carbon brushes, insert the new ones and secure the brush holder caps. (Fig. 13)

Reinstall the holder cap cover on the tool.

Replacing blades

The service life of the blades varies in terms of the workpiece to be cut. The following reference tables indicate the approximate service life of the blades.

When the blades become dull, ask Makita Authorized Service Centers to replace the blades.

For DJS160 and DJS161

Material	Cutting thickness (mm)	Life of blades (m)
Mild steel plate (SPCC)	1.6	200
Stainless steel plate (SUS304)	1.2	150
Aluminum plate (A-5052)	2.5	400

010094

For DJS100 and DJS101

Material	Cutting thickness (mm)	Life of blades (m)
Mild steel plate (SPCC)	1.0	120
Stainless steel plate (SUS304)	0.7	50

010739

To maintain product SAFETY and RELIABILITY, repairs, any other maintenance or adjustment should be performed by Makita Authorized Service Centers, always using Makita replacement parts.

OPTIONAL ACCESSORIES

⚠ CAUTION:

- These accessories or attachments are recommended for use with your Makita tool specified in this manual. The use of any other accessories or attachments might present a risk of injury to persons. Only use accessory or attachment for its stated purpose.

If you need any assistance for more details regarding these accessories, ask your local Makita Service Center.

- Thickness gauge
- Center blade
- Side blade R
- Side blade L
- Hex wrench
- Makita genuine battery and charger

NOTE:

- Some items in the list may be included in the tool package as standard accessories. They may differ from country to country.

Noise

ENG905-1

The typical A-weighted noise level determined according to EN60745:

Model DJS100, DJS101, DJS161

Sound pressure level (L_{pA}): 71 dB (A)

Uncertainty (K): 3 dB (A)

The noise level under working may exceed 80 dB (A).

Model DJS160

Sound pressure level (L_{pA}): 74 dB (A)

Uncertainty (K): 3 dB (A)

The noise level under working may exceed 80 dB (A).

Wear ear protection.

Vibration

ENG900-1

The vibration total value (tri-axial vector sum) determined according to EN60745:

Model DJS100

Work mode: cutting sheet metal

Vibration emission (a_h): 12.5 m/s²

Uncertainty (K): 1.5 m/s²

Model DJS101, DJS161

Work mode: cutting sheet metal

Vibration emission (a_h): 13.0 m/s²

Uncertainty (K): 1.5 m/s²

Model DJS160

Work mode: cutting sheet metal

Vibration emission (a_h): 12.0 m/s²

Uncertainty (K): 1.5 m/s²

ENG901-1

- The declared vibration emission value has been measured in accordance with the standard test method and may be used for comparing one tool with another.
- The declared vibration emission value may also be used in a preliminary assessment of exposure.

⚠ WARNING:

- The vibration emission during actual use of the power tool can differ from the declared emission value depending on the ways in which the tool is used.
- Be sure to identify safety measures to protect the operator that are based on an estimation of exposure in the actual conditions of use (taking account of all parts of the operating cycle such as the times when the tool is switched off and when it is running idle in addition to the trigger time).

For European countries only

ENH101-16

EC Declaration of Conformity

We Makita Corporation as the responsible manufacturer declare that the following Makita machine(s):

Designation of Machine:

Cordless Metal Shear

Model No./ Type: DJS100, DJS101, DJS160, DJS161

are of series production and

Conforms to the following European Directives:

2006/42/EC

And are manufactured in accordance with the following

standards or standardised documents:

EN60745

The technical documentation is kept by:

Makita International Europe Ltd.

Technical Department,

Michigan Drive, Tongwell,

Milton Keynes, Bucks MK15 8JD, England

31. 7. 2009



Tomoyasu Kato

Director

Makita Corporation

3-11-8, Sumiyoshi-cho,

Anjo, Aichi, 446-8502, JAPAN

FRANÇAIS (Instructions d'origine)

Descriptif

- | | | |
|-----------------------------|-------------------------------------|--------------------------------|
| 1. Bouton | 8. Vis | 15. Repère d'usure |
| 2. Voyant rouge | 9. Lame centrale | 16. Couvercle de porte-charbon |
| 3. Batterie | 10. Jauge d'épaisseur | 17. Entaille |
| 4. Étoile | 11. Lame latérale | 18. Tournevis |
| 5. Levier de l'interrupteur | 12. Boulon à tête creuse hexagonale | 19. Bouchon de porte-charbon |
| 6. Voyant lumineux | 13. Flaçon d'huile | |
| 7. Clé hexagonale | 14. Broche | |

SPÉCIFICATIONS

Modèle		DJS160	DJS161	DJS100	DJS101
Capacité de coupe max.	Acier jusqu'à 400 N/mm ²	1,6 mm (16 ga.)		1,0 mm (20 ga.)	
	Acier jusqu'à 600 N/mm ²	1,2 mm (18 ga.)		0,7 mm (23 ga.)	
	Aluminium jusqu'à 200 N/mm ²	2,5 mm (13 ga.)		2,5 mm (12 ga.)	
Rayon de coupe min.		250 mm		30 mm	
Passes par minute (min ⁻¹)		4 300		4 300	
Longueur totale		362 mm		364 mm	
Poids net		1,9 kg	2,0 kg	1,9 kg	2,0 kg
Tension nominale		C.C. 14,4 V	C.C. 18 V	C.C. 14,4 V	C.C. 18 V

- Étant donné l'évolution constante de notre programme de recherche et de développement, les spécifications contenues dans ce manuel sont sujettes à des modifications sans préavis.
- Les spécifications et la batterie peuvent varier d'un pays à l'autre.
- Poids, batterie incluse, selon la procédure EPTA 01/2003

Symboles

END004-6

Les symboles utilisés pour l'outil sont indiqués ci-dessous. Assurez-vous d'avoir bien compris leur signification avant d'utiliser l'outil.



... Reportez-vous au manuel d'instructions.



..... Pour les pays européens uniquement
Ne pas jeter les appareils électriques et les bloc-batteries dans les ordures ménagères !
Conformément aux directives européennes relatives aux déchets d'équipements électriques ou électroniques (DEEE) ainsi qu'aux batteries, aux accumulateurs et aux batteries et accumulateurs usagés et à leur transposition dans la législation nationale, les appareils électriques, les batteries et les bloc-batteries doivent être collectés à part et être soumis à un recyclage respectueux de l'environnement.

Utilisations

ENE037-1

Cet outil est destiné à la découpe de tôles d'acier et de tôles d'acier inoxydable.

Consignes de sécurité générales des outils électriques

GEA010-1

⚠ AVERTISSEMENT Veuillez lire toutes les consignes de sécurité et les instructions. Il y a un risque de choc électrique, d'incendie et/ ou de blessure grave si les consignes et les instructions ne sont pas toutes respectées.

Conservez toutes les consignes et instructions pour référence ultérieure.

AVERTISSEMENTS DE SÉCURITÉ CONCERNANT LA CISAILLE SANS FIL

GEB067-1

1. **Tenez l'outil fermement.**
2. **Immobilisez la pièce fermement.**
3. **Gardez les mains éloignées des pièces en mouvement.**
4. **Les bords et les éclats de la pièce travaillée sont coupants. Portez des gants. Il est également recommandé de mettre des chaussures à semelle renforcée pour éviter tout risque de blessure.**
5. **Ne posez pas l'outil sur les éclats de la pièce travaillée. Cela risquerait de l'endommager ou de le dérégler.**
6. **N'abandonnez pas l'outil alors qu'il tourne. Ne faites fonctionner l'outil qu'une fois que vous l'avez bien en main.**

7. **Veillez à toujours avoir une bonne position d'équilibre.**
Assurez-vous que personne ne se trouve dessous lorsque vous utilisez l'outil en position élevée.
8. **Ne touchez ni la lame ni la pièce immédiatement après la coupe ; elles risquent d'être extrêmement chaudes et de vous brûler la peau.**
9. **Évitez de couper des fils électriques.** Cela pourrait provoquer un accident grave causé par un choc électrique.

CONSERVEZ CES INSTRUCTIONS.

AVERTISSEMENT :

NE vous laissez PAS tromper (au fil d'une utilisation répétée) par un sentiment d'aisance et de familiarité avec le produit, en négligeant le respect rigoureux des consignes de sécurité qui accompagnent l'outil. Une UTILISATION INCORRECTE de l'outil ou un non-respect des consignes de sécurité indiquées dans ce manuel d'instructions peuvent causer des blessures graves.

CONSIGNES DE SÉCURITÉ IMPORTANTES

ENC007-8

POUR LA BATTERIE

1. **Avant d'utiliser la batterie, veuillez lire toutes les instructions et tous les avertissements inscrits sur (1) le chargeur, (2) la batterie et (3) l'appareil alimenté par la batterie.**
2. **Ne démontez pas la batterie.**
3. **Cessez immédiatement d'utiliser l'outil si le temps de fonctionnement devient excessivement court. Il y a un risque de surchauffe, de brûlures, voire d'explosion.**
4. **Si l'électrolyte pénètre dans vos yeux, rincez-les à l'eau claire et consultez immédiatement un médecin. Il y a un risque de perte de la vue.**
5. **Évitez de court-circuiter la batterie :**
 - (1) **Ne touchez les bornes avec aucun matériau conducteur.**
 - (2) **Évitez de ranger la batterie dans un contenant où se trouvent d'autres objets métalliques tels que des clous, pièces de monnaie, etc.**
 - (3) **N'exposez pas la batterie à l'eau ou à la pluie. Un court-circuit de la batterie risque de provoquer un fort courant, une surchauffe, parfois des brûlures et même une panne.**
6. **Ne rangez pas l'outil ou la batterie dans des endroits où la température risque d'atteindre ou de dépasser 50°C (122°F).**
7. **Ne jetez pas la batterie au feu même si elle est sérieusement endommagée ou complètement épuisée. La batterie peut exploser au contact du feu.**
8. **Veillez à ne pas laisser tomber ou heurter la batterie.**
9. **N'utilisez pas de batterie endommagée.**
10. **Respectez les réglementations locales relatives à la mise au rebut des batteries.**

CONSERVEZ CES INSTRUCTIONS.

Conseils pour assurer la durée de vie optimale de la batterie

1. **Rechargez la batterie avant qu'elle ne soit complètement épuisée.**
Arrêtez toujours l'outil et rechargez la batterie quand vous constatez que la puissance de l'outil diminue.
2. **Ne rechargez jamais une batterie complètement chargée.**
La surcharge réduit la durée de service de la batterie.
3. **Chargez la batterie alors que la température de la pièce se trouve entre 10°C et 40°C (50°F et 104°F).**
Si une batterie est chaude, laissez-la refroidir avant de la charger.
4. **Si vous n'utilisez pas l'outil pendant une période prolongée, rechargez la batterie tous les six mois.**

DESCRIPTION DU FONCTIONNEMENT

ATTENTION :

- Veillez toujours à ce que l'outil soit éteint et la batterie déposée avant d'effectuer des réglages ou de vérifier le fonctionnement de l'outil.

Installation et retrait de la batterie (Fig. 1)

⚠ ATTENTION :

- Éteignez toujours l'outil avant d'installer ou de déposer la batterie.
- **Tenez fermement l'outil et la batterie lors de l'installation ou du retrait de la batterie.** Si vous ne tenez pas fermement l'outil et la batterie, ils risquent de glisser et de s'abîmer ou de vous blesser.

Pour retirer la batterie, faites glisser le bouton à l'avant de la batterie et sortez la batterie.

Pour installer la batterie, alignez sa languette sur la rainure qui se trouve à l'intérieur du carter, puis glissez la batterie pour la mettre en place. Insérez-la bien à fond, jusqu'à ce qu'elle se verrouille en émettant un léger clic. Si vous pouvez voir le voyant rouge sur la face supérieure du bouton, la batterie n'est pas parfaitement verrouillée.

⚠ ATTENTION :

- Installez toujours la batterie à fond, de sorte que le voyant rouge ne soit plus visible. Sinon, elle risque de tomber accidentellement de l'outil, en vous blessant ou en blessant une personne située près de vous.
- Ne forcez pas pour installer la batterie. Si la batterie ne glisse pas aisément, c'est qu'elle n'est pas insérée correctement.

Système de protection de la batterie

L'outil est équipé d'un système de protection de la batterie. Ce système coupe automatiquement l'alimentation vers le moteur afin de prolonger la durée de vie de la batterie.

L'outil s'arrête automatiquement pendant le fonctionnement lorsqu'il et/ou la batterie se trouvent dans l'une des situations suivantes :

- Surchargé :
L'outil fonctionne de manière à créer un courant anormalement élevé.
Dans ce cas, éteignez l'outil et arrêtez l'application qui cause la surcharge de l'outil. Ensuite, allumez l'outil pour le redémarrer.
Si l'outil ne démarre pas, la batterie est en surchauffe. Dans ce cas, laissez la batterie refroidir avant de rallumer l'outil.
- Faible tension de la batterie :
L'autonomie restante est trop faible et l'outil ne fonctionnera pas. Dans ce cas, retirez la batterie et rechargez-la.

REMARQUE :

La protection contre la surchauffe fonctionne uniquement avec une batterie comportant un symbole d'étoile. (Fig. 2)

Interrupteur (Fig. 3)

ATTENTION :

- Avant d'insérer la batterie dans l'outil, vérifiez toujours que le levier de l'interrupteur fonctionne bien et revient en position d'ARRÊT lorsque vous enfoncez sa partie arrière.
- L'interrupteur peut être verrouillé en position de MARCHE pour le confort de l'opérateur pendant un usage prolongé. Soyez vigilant lorsque vous verrouillez l'outil en position d'ARRÊT et gardez-le bien en main. Pour mettre l'outil en marche, faites coulisser le levier de l'interrupteur sur la position « I » (MARCHE). Pour une utilisation continue, appuyez sur la partie avant du levier de l'interrupteur pour le verrouiller. Pour arrêter l'outil, appuyez sur la partie arrière du levier de l'interrupteur, puis faites coulisser ce dernier vers la position « O » (ARRÊT).

Voyant à fonctions multiples (Fig. 4)

Des voyants se trouvent à deux endroits.

- **Signal de remplacement de la batterie**
 - Lorsque la puissance de la batterie devient très faible pendant l'utilisation de l'outil, le témoin rouge s'allume et l'outil s'arrête immédiatement. Remplacez la batterie par une batterie entièrement chargée lorsque le témoin rouge s'allume.
- **Fonction de prévention des redémarrages accidentels**
 - Même si la batterie est insérée dans l'outil alors que l'interrupteur à glissière se trouve en position « I » (MARCHE), l'outil ne démarre pas. Le voyant clignote alors lentement pour indiquer que la fonction de prévention des redémarrages accidentels est activée.
 - Pour démarrer l'outil, glissez d'abord l'interrupteur à glissière vers la position « O » (ARRÊT) puis glissez-le vers la position « I » (MARCHE).

ASSEMBLAGE

ATTENTION :

- Assurez-vous toujours que l'outil est hors tension et que la batterie est retirée avant d'effectuer toute intervention sur l'outil.

Réglage de l'écartement de la lame

Pour les modèles DJS160 et DJS161 uniquement

Régler l'écartement entre la lame latérale et la lame centrale en fonction de l'épaisseur de la pièce travaillée. (Fig. 5)

Tout d'abord, utilisez une clé hexagonale pour desserrer la vis. (Fig. 6)

Ensuite, utilisez la clé hexagonale pour régler l'écartement en serrant ou en desserrant le boulon. Il est possible qu'une légère différence apparaisse au niveau de l'écartement des deux côtés de la lame centrale. Vérifiez le plus petit écartement à l'aide de la jauge d'épaisseur et réglez-le.

Reportez-vous au tableau lorsque vous utilisez la jauge d'épaisseur pour régler l'écartement de la lame.

Épaisseur de la pièce travaillée (mm)	Indication sur la jauge d'épaisseur
Moins de 0,8	0,5
0,8 - 1,3	1,0
Plus de 1,3	1,5

006428

Après avoir réglé l'écartement, serrez fermement la vis.

Rangement de la clé hexagonale (Fig. 7)

Lorsque vous n'utilisez pas la clé hexagonale, rangez-la comme illustré sur la figure.

FONCTIONNEMENT

Lubrification (Fig. 8)

Avant d'utiliser l'outil, lubrifiez le point de contact entre la lame centrale et la broche. Afin de préserver les performances de coupe de l'outil, utilisez également un lubrifiant de coupe pendant l'utilisation de l'outil.

UTILISATION (Fig. 9)

Mettez l'outil sous tension et réglez les extrémités avant des lames latérales sur la pièce travaillée. Déplacez ensuite simplement l'outil vers l'avant en gardant les lames latérales à ras de la surface de la pièce travaillée. (Fig. 10)

ATTENTION :

- Si vous découpez une petite partie de la pièce travaillée, il est possible que vous ayez des difficultés à terminer la coupe. Dans ce cas, réessayez de couper la pièce en la tirant légèrement vers l'arrière.

MAINTENANCE

ATTENTION :

- Assurez-vous toujours que l'outil est hors tension et que la batterie est retirée avant d'y effectuer tout travail d'inspection ou d'entretien.

AVIS :

- N'utilisez jamais d'essence, de benzine, de diluant, d'alcool ou de produit similaire. Ces produits risquent de provoquer des décolorations, des déformations ou des fissures.

L'outil et ses orifices d'aération doivent être maintenus propres. Nettoyez les orifices d'aération de l'outil

régulièrement ou à chaque fois qu'ils commencent à se boucher.

Remplacement des charbons (Fig. 11)

Retirez et vérifiez les charbons régulièrement. Remplacez-les lorsqu'ils atteignent le repère d'usure. Gardez les charbons propres et libres de glisser dans les porte-charbons. Les deux charbons doivent être remplacés en même temps. Utilisez uniquement des charbons identiques.

Insérez le bout d'un tournevis à tête fendue dans l'entaille de l'outil et retirez le cache du bouchon de porte-charbon en le soulevant.

(Fig. 12)

Retirez les bouchons de porte-charbon à l'aide d'un tournevis. Enlevez les charbons usés, insérez les neufs et remettez en place les bouchons de porte-charbon.

(Fig. 13)

Remettez le cache de bouchon de porte-charbon en place sur l'outil.

Remplacement des lames

La durée de service des lames varie en fonction de la pièce travaillée. Le tableau de référence suivant indique la durée de service approximative des lames.

Lorsque les lames sont émoussées, contactez un Centre de service après-vente Makita agréé pour les remplacer.

Pour les modèles DJS160 et DJS161

Matériau	Épaisseur de la coupe (mm)	Durée de vie des lames (m)
Tôle en acier doux (SPCC)	1,6	200
Plaque en acier inoxydable (SUS304)	1,2	150
Plaque en aluminium (A-5052)	2,5	400

010094

Pour les modèles DJS100 et DJS101

Matériau	Épaisseur de la coupe (mm)	Durée de vie des lames (m)
Tôle en acier doux (SPCC)	1,0	120
Plaque en acier inoxydable (SUS304)	0,7	50

010739

Pour assurer la SÉCURITÉ et la FIABILITÉ du produit, toute réparation ou travail d'entretien ou de réglage doivent être effectués dans un Centre de service après-vente Makita agréé, avec des pièces de rechange Makita.

ACCESSOIRES FOURNIS EN OPTION

⚠ ATTENTION :

- Ces accessoires ou pièces complémentaires sont recommandés pour être utilisés avec l'outil Makita spécifié dans ce mode d'emploi. L'utilisation de tout autre accessoire ou pièce complémentaire peut comporter un risque de blessure. N'utilisez les accessoires ou pièces qu'aux fins auxquelles ils ont été conçus.

Pour obtenir plus de détails sur ces accessoires, contactez votre Centre de service local Makita.

- Jauge d'épaisseur
- Lame centrale
- Lame latérale D
- Lame latérale G
- Clé hexagonale
- Batterie et chargeur Makita d'origine

REMARQUE :

- Certains éléments de la liste peuvent être inclus en tant qu'accessoires standard dans le coffret de l'outil envoyé. Ils peuvent varier suivant les pays.

Bruit

ENG905-1

Les niveaux de bruit pondéré A typiques ont été mesurés selon la norme EN60745 :

Modèle DJS100, DJS101, DJS161

Niveau de pression sonore (L_{pA}) : 71 dB (A)

Incertitude (K) : 3 dB (A)

Le niveau de bruit peut dépasser 80 dB (A) lors de l'utilisation.

Modèle DJS160

Niveau de pression sonore (L_{pA}) : 74 dB (A)

Incertitude (K) : 3 dB (A)

Le niveau de bruit peut dépasser 80 dB (A) lors de l'utilisation.

Portez des protections auditives.

Vibration

ENG900-1

La valeur totale de vibration (somme du vecteur triaxial) a été déterminée selon la norme EN60745 :

Modèle DJS100

Mode de fonctionnement : découpe de tôle

Émission des vibrations (a_h) : 12,5 m/s²

Incertitude (K) : 1,5 m/s²

Modèle DJS101, DJS161

Mode de fonctionnement : découpe de tôle

Émission des vibrations (a_h) : 13,0 m/s²

Incertitude (K) : 1,5 m/s²

Modèle DJS160

Mode de fonctionnement : découpe de tôle

Émission des vibrations (a_h) : 12,0 m/s²

Incertitude (K) : 1,5 m/s²

ENG901-1

- La valeur de l'émission des vibrations déclarée a été mesurée conformément à la méthode de test standard et peut être utilisée afin de comparer des outils entre eux.
- La valeur de l'émission des vibrations déclarée peut également être utilisée lors d'une évaluation préliminaire de l'exposition.

⚠ AVERTISSEMENT :

- Selon la manière dont l'outil est utilisé, il est possible que l'émission des vibrations pendant l'utilisation réelle de l'outil électrique diffère de la valeur de l'émission déclarée.
- Veuillez à identifier les mesures de sécurité destinées à protéger l'opérateur et établies en fonction de l'estimation de l'exposition dans les conditions réelles d'utilisation (en prenant en compte toutes les étapes du cycle de fonctionnement, telles que les périodes de mise hors tension de l'outil, les périodes de fonctionnement au ralenti et les périodes de mise en route).

Pour les pays d'Europe uniquement ENH101-16
Déclaration de conformité CE

Nous, Makita Corporation, en tant que fabricant responsable, déclarons que les machines Makita suivantes :

Nom de la machine :

Cisaille sans fil

N° de modèle/Type : DJS100, DJS101, DJS160, DJS161

sont fabriquées en série et

sont conformes aux directives européennes suivantes :

2006/42/CE

et sont produites conformément aux normes ou documents de normalisation suivants :

EN60745

La documentation technique est disponible auprès de :

Makita International Europe Ltd.

Technical Department,

Michigan Drive, Tongwell,

Milton Keynes, Bucks MK15 8JD, Angleterre

31. 7. 2009



Tomoyasu Kato

Directeur

Makita Corporation

3-11-8, Sumiyoshi-cho,

Anjo, Aichi, 446-8502, JAPAN

DEUTSCH (Originalanweisungen)

Erklärung der Gesamtdarstellung

- | | | |
|--------------------|----------------------------|----------------------------|
| 1. Taste | 8. Madenschraube | 15. Verschleißgrenze |
| 2. Roter Bereich | 9. Schneidklinge | 16. Bürstenhalterabdeckung |
| 3. Akkublock | 10. Dickenmesser | 17. Einkerbung |
| 4. Sternmarkierung | 11. Seitenklinge | 18. Schraubendreher |
| 5. Umschalthebel | 12. Innensechskantschraube | 19. Bürstenhalterkappe |
| 6. Anzeigenleuchte | 13. Ölzufuhr | |
| 7. Inbusschlüssel | 14. Stift | |

TECHNISCHE DATEN

Modell		DJS160	DJS161	DJS100	DJS101
Max. Schneidleistungen	Stahl bis zu 400 N/mm ²	1,6 mm (16 ga.)		1,0 mm (20 ga.)	
	Stahl bis zu 600 N/mm ²	1,2 mm (18 ga.)		0,7 mm (23 ga.)	
	Aluminium bis zu 200 N/mm ²	2,5 mm (13 ga.)		2,5 mm (12 ga.)	
Min. Schneidradius		250 mm		30 mm	
Schläge pro Minute (min ⁻¹)		4.300		4.300	
Gesamtlänge		362 mm		364 mm	
Nettogewicht		1,9 kg	2,0 kg	1,9 kg	2,0 kg
Nennspannung		14,4 V Gleichspannung	18V Gleichspannung	14,4 V Gleichspannung	18V Gleichspannung

- Aufgrund unserer beständigen Forschungen und Weiterentwicklungen sind Änderungen an den hier angegebenen Technischen Daten ohne Vorankündigung vorbehalten.
- Die Technischen Daten und der Akkublock können in den einzelnen Ländern Abweichungen aufweisen.
- Gewicht, mit Akkublock, ermittelt gemäß EPTA-Verfahren 01/2003

Symbole

END004-6

Im Folgenden sind die im Zusammenhang mit diesem Werkzeug verwendeten Symbole dargestellt. Machen Sie sich vor der Benutzung des Werkzeugs unbedingt mit diesen Symbolen vertraut.



... Lesen Sie die vorliegende Betriebsanleitung.



Nur für EU-Länder
Entsorgen Sie Elektrowerkzeuge, Batterien und Akkus nicht über den Hausmüll!

Gemäß der Europäischen Richtlinie über Elektro- und Elektronik- Altgeräte und über Batterien und Akkumulatoren sowie Altbatterien und Altkumulatoren und ihrer Umsetzung in nationales Recht müssen verbrauchte Elektrowerkzeuge sowie Altbatterien und Altkumulatoren getrennt gesammelt und einer umweltgerechten Wiederverwertung zugeführt werden.

Verwendungszweck

ENE037-1

Das Werkzeug ist für das Schneiden von Blechen aus Stahl und Edelstahl vorgesehen.

Allgemeine Sicherheitshinweise für Elektrowerkzeuge

GEA010-1

⚠️ WARNUNG Lesen Sie alle Sicherheitshinweise und Anweisungen sorgfältig durch. Wenn die Hinweise und Anweisungen nicht beachtet werden, besteht die Gefahr eines Stromschlags, Brands und/oder das Risiko von ernsthaften Verletzungen.

Bewahren Sie alle Hinweise und Anweisungen zur späteren Referenz gut auf.

SICHERHEITSHINWEISE ZUR AKKU-METALLSCHERE

GEB067-1

1. Halten Sie das Werkzeug mit festem Griff.
2. Spannen Sie das Werkstück fest ein.
3. Halten Sie Ihre Hände von beweglichen Teilen fern.
4. Kanten und Späne des Werkstücks sind scharf. Tragen Sie Schutzhandschuhe! Um Verletzungen zu vermeiden wird außerdem das Tragen von festem Schuhwerk empfohlen.
5. Legen Sie das Werkzeug nicht auf Spänen des Werkstücks ab. Das Werkzeug kann durch Späne beschädigt werden und es kann zu Funktionsstörungen kommen.
6. Lassen Sie das Werkzeug nicht unbeaufsichtigt eingeschaltet. Das Werkzeug darf nur dann eingeschaltet werden, wenn es festgehalten wird.

- Achten Sie jederzeit auf sicheren und festen Stand.
Achten Sie bei Verwendung des Werkzeugs an erhöhten Standorten darauf, dass sich keine Personen unter dem Standort aufhalten.
- Berühren Sie kurz nach dem Betrieb weder die Schneidklingen noch das Werkstück. Diese können extrem heiß sein und zu Verbrennungen führen.
- Achten Sie darauf, dass Sie nicht in Elektrokabel schneiden. Dies kann zu einem Stromschlag und somit zu schweren Unfällen führen.

BEWAHREN SIE DIESE ANLEITUNG SORGFÄLTIG AUF.

WARNUNG:

Lassen Sie sich NIE durch Bequemlichkeit oder (aus fortwährendem Gebrauch gewonnener) Vertrautheit mit dem Werkzeug dazu verleiten, die Sicherheitsregeln für das Werkzeug zu missachten. Bei MISSBRÄUHLICHER Verwendung des Werkzeugs oder Missachtung der in diesem Handbuch enthaltenen Sicherheitshinweise kann es zu schweren Verletzungen kommen.

WICHTIGE SICHERHEITSREGELN

ENC007-8

FÜR AKKUBLOCK

- Lesen Sie vor der Verwendung des Akkublocks alle Anweisungen und Sicherheitshinweise für das Akkuladegerät (1), den Akku (2) und das Produkt (3), für das der Akku verwendet wird, sorgfältig durch.
- Der Akkublock darf nicht zerlegt werden.
- Falls die Betriebsdauer erheblich kürzer wird, beenden Sie den Betrieb umgehend. Andernfalls besteht die Gefahr einer Überhitzung sowie das Risiko möglicher Verbrennungen und sogar einer Explosion.
- Wenn Elektrolyt in Ihre Augen gerät, waschen Sie diese mit klarem Wasser aus und suchen Sie sofort einen Arzt auf. Andernfalls können Sie Ihre Sehfähigkeit verlieren.
- Vermeiden Sie einen Kurzschluss des Akkublocks:
 - Die Kontakte dürfen nicht mit leitendem Material in Berührung kommen.
 - Der Akkublock darf nicht in einem Behälter aufbewahrt werden, in dem sich andere metallische Gegenstände wie beispielsweise Nägel, Münzen usw. befinden.
 - Der Akkublock darf weder Feuchtigkeit noch Regen ausgesetzt werden.

Ein Kurzschluss des Akkus kann zu hohem Kriechstrom, Überhitzung, möglichen Verbrennungen und sogar zu einer Zerstörung des Werkzeugs führen.
- Werkzeug und Akkublock dürfen nicht an Orten aufbewahrt werden, an denen Temperaturen von 50°C oder darüber erreicht werden können.

- Beschädigte oder verbrauchte Akkus dürfen nicht verbrannt werden. Der Akkublock kann in den Flammen explodieren.
- Lassen Sie den Akku nicht fallen und vermeiden Sie Schläge gegen den Akku.
- Verwenden Sie niemals einen beschädigten Akku.
- Befolgen Sie die in Ihrem Land geltenden Bestimmungen bzgl. der Entsorgung von Akkus.

BEWAHREN SIE DIESE ANLEITUNG SORGFÄLTIG AUF.

Tipps für eine maximale Nutzungsdauer von Akku

- Laden Sie den Akkublock auf, bevor der Akku vollständig entladen ist.
Sobald Sie eine verringerte Leistung des Werkzeugs bemerken, beenden Sie stets den Betrieb des Werkzeugs und laden Sie den Akkublock auf.
- Ein voll aufgeladener Akkublock darf niemals erneut geladen werden.
Durch Überladungen wird die Lebensdauer des Akkus verkürzt.
- Laden Sie den Akkublock bei einer Zimmertemperatur von 10°C bis 40°C auf. Lassen Sie einen heißen Akkublock vor dem Aufladen abkühlen.
- Laden Sie den Akkublock aller sechs Monate auf, wenn Sie diesen für längere Zeit nicht verwenden.

FUNKTIONSBESCHREIBUNG

VORSICHT:

- Schalten Sie das Werkzeug stets aus und entfernen Sie den Akkublock, bevor Sie Einstellungen oder eine Funktionsprüfung des Werkzeugs vornehmen.

Montage und Demontage des Akkublocks (Abb. 1)

⚠ ACHTUNG:

- Schalten Sie das Werkzeug stets aus, bevor Sie den Akkublock einsetzen oder abnehmen.
- Halten Sie das Werkzeug und den Akkublock sicher fest, wenn Sie den Akkublock einsetzen oder herausnehmen. Andernfalls könnte Ihnen das Werkzeug oder der Akkublock aus den Händen fallen, sodass das Werkzeug oder der Akkublock beschädigt werden oder diese Verletzungen verursachen.

Zum Abnehmen des Akkublocks müssen Sie die Taste auf der Vorderseite des Akkublocks schieben und gleichzeitig den Akkublock aus dem Gerät herausziehen. Zum Einsetzen des Akkublocks müssen Sie die Zunge des Akkublocks an der Rille im Gehäuse ausrichten und in die gewünschte Position schieben. Setzen Sie den Akkublock ganz ein, bis er mit einem Klick einrastet. Wenn Sie den roten Bereich oben auf der Taste sehen können, ist der Batterieadapter nicht ganz eingerastet.

⚠ ACHTUNG:

- Setzen Sie den Akkublock unbedingt ganz ein, bis der rote Bereich nicht mehr zu sehen ist. Andernfalls kann

der Akkublock versehentlich aus dem Werkzeug fallen und Sie oder umstehende Personen verletzen.

- Wenden Sie beim Einsetzen des Akkublocks keine Gewalt an. Wenn der Akkublock nicht leicht hineingleitet, ist er nicht richtig angesetzt.

Akku-Schutzsystem

Das Werkzeug ist mit einem Akku-Schutzsystem ausgestattet. Dieses System schaltet die

Stromversorgung des Motors automatisch aus, um die Lebensdauer des Akkus zu verlängern.

Unter folgenden Bedingungen des Werkzeugs und/oder des Akkus kann das Werkzeug während des Betriebs automatisch stoppen:

- Überlastet:

Das Werkzeug wird auf eine Weise betrieben, die zu einer abnormal hohen Stromaufnahme führt.

Schalten Sie das Werkzeug in dieser Situation aus und beenden Sie die Arbeiten, die zu der Überlastung des Werkzeugs geführt haben. Schalten Sie das Werkzeug anschließend ein, um es wieder in Betrieb zu nehmen.

Wenn das Werkzeug nicht startet, ist der Akku überhitzt. Lassen Sie in dieser Situation den Akku erst abkühlen, bevor Sie das Werkzeug wieder einschalten.

- Spannung des Akkus zu niedrig:

Die noch vorhandene Akkuladung ist zu niedrig und das Werkzeug startet nicht. Nehmen Sie in dieser Situation den Akku ab und laden Sie den Akku wieder auf.

HINWEIS:

Der Überhitzungsschutz arbeitet nur mit einem mit einer Sternmarkierung gekennzeichneten Akkublock. (Abb. 2)

Bedienung des Schalters (Abb. 3)

VORSICHT:

- Achten Sie vor dem Einsetzen des Akkublocks in das Werkzeug darauf, dass sich der Schalterhebel korrekt bedienen lässt und auf die Position „OFF“ (AUS) zurückkehrt, sobald Sie auf die Rückseite des Schalterhebels drücken.
- Um die Bedienung bei längerem Gebrauch zu vereinfachen, lässt sich der Schalter in der Stellung „ON“ (EIN) arretieren. Seien Sie vorsichtig, wenn das Werkzeug auf „OFF“ (AUS) arretiert ist, und halten Sie das Werkzeug gut fest.

Um das Werkzeug einzuschalten, schieben Sie den Schalterhebel in die Stellung „I (ON)“. Zum Dauerbetrieb drücken Sie auf die Vorderseite des Schalterhebels, um den Schalter zu arretieren.

Zum Ausschalten des Werkzeugs drücken Sie auf die Rückseite des Schalterhebels, und schieben Sie den Schalter dann in die Stellung „O (OFF)“.

Kombinationsanzeigenleuchte (Abb. 4)

Am Werkzeug gibt es zwei Anzeigeleuchten.

- **Warnsignal für erforderlichen Akku-Austausch**

- Wenn während des Betriebs der Akku einen nahezu entladenen Zustand erreicht, leuchtet die rote Anzeige auf, und das Werkzeug schaltet sich sofort aus. Wenn die rote Lampe aufleuchtet, tauschen Sie

den Akku gegen einen vollständig aufgeladenen Akku aus.

- **Funktion zur Vermeidung eines versehentlichen Neustarts**

- Wenn Sie den Akkublock einsetzen, wenn sich der Schiebeschalter in der Position „I (ON)“ befindet, wird das Werkzeug nicht gestartet. Die Anzeigenleuchte flackert langsam und zeigt somit an, dass die Funktion zur Vermeidung eines versehentlichen Neustarts aktiv ist.
- Um das Werkzeug einzuschalten, schieben Sie den Schiebeschalter in die Position „O (OFF)“ und anschließend in die Position „I (ON)“.

MONTAGE

VORSICHT:

- Schalten Sie das Werkzeug stets aus und entfernen Sie den Akkublock, bevor Sie Arbeiten am Werkzeug ausführen.

Einstellen des Klingenabstands

Nur für DJS160 und DJS161

Stellen Sie den Abstand zwischen Seiten- und Mittelklinge gemäß der Dicke des Werkstücks ein.

(Abb. 5)

Lösen Sie zunächst die Schraube mit Hilfe eines Schraubendrehers. (Abb. 6)

Stellen Sie mit Hilfe des Sechskantschlüssels den Abstand ein, indem Sie den Bolzen festziehen oder lösen.

Die Abstände an den beiden Seiten der Mittelklinge können geringfügig voneinander abweichen.

Prüfen Sie den kleineren Abstand mit Hilfe des Dickenmessers, und stellen Sie den Abstand entsprechend ein.

Wenn Sie den Klingenabstand mit Hilfe des Dickenmessers einstellen, entnehmen Sie die Werte der Tabelle.

Werkstückdicke (mm)	Markierung auf Dickenmesser
Weniger als 0,8	0,5
0,8 - 1,3	1,0
Mehr als 1,3	1,5

006428

Ziehen Sie nach dem Einstellung des Abstands die Schraube fest an.

Aufbewahrung des Sechskantschlüssels (Abb. 7)

Bewahren Sie den Sechskantschlüssel wie in der Abbildung dargestellt auf.

BETRIEB

Schmierung (Abb. 8)

Schmieren Sie vor dem Betrieb den Kontaktpunkt der Mittelklinge und des Stiftes. Um eine gute Schneidleistung zu erreichen, bringen Sie während der Arbeit von Zeit zu Zeit ein Schneidenschmiermittel auf.

BETRIEB (Abb. 9)

Schalten Sie das Werkzeug ein, und setzen Sie die vorderen Enden der Seitenklingen am Werkstück an. Bewegen Sie nun das Werkzeug einfach nach vorn, und halten Sie dabei die Seitenklingen bündig zur Werkstückoberfläche. (Abb. 10)

VORSICHT:

- Beim Schneiden eines kurzen Abschnitts des Werkstücks kann es zu Schwierigkeiten beim Beenden des Schnittes kommen. Versuchen Sie in diesem Fall, noch einmal zu schneiden, wobei Sie das Werkstück leicht zurückziehen.

WARTUNG

VORSICHT:

- Schalten Sie das Werkzeug stets aus und entfernen Sie den Akkublock, bevor Sie Inspektionen oder Wartungsarbeiten am Werkzeug vornehmen.

HINWEIS:

- Verwenden Sie zum Reinigen niemals Kraftstoffe, Benzin, Verdüner, Alkohol oder ähnliches. Dies kann zu Verfärbungen, Verformungen oder Rissen führen. Halten Sie das Werkzeug und die Belüftungsschlitze des Werkzeugs stets sauber. Reinigen Sie die Belüftungsschlitze des Werkzeugs regelmäßig, insbesondere im Anfangsstadium einer Verstopfung.

Ersetzen der Kohlebürsten (Abb. 11)

Entnehmen Sie die Kohlebürsten in regelmäßig und überprüfen Sie die Bürsten. Wenn die Kohlebürsten bis zur Verschleißgrenze abgenutzt sind, müssen die Bürsten ersetzt werden. Halten Sie die Kohlebürsten sauber und sorgen Sie dafür, dass die Bürsten problemlos in den Halterungen gleiten. Ersetzen Sie immer beide Kohlebürsten. Verwenden Sie ausschließlich Kohlebürsten gleicher Bauart.

Setzen Sie das obere Ende des Schlitzschraubendrehers in die Kerbe am Werkzeug ein, und entfernen Sie die Abdeckung der Halterkappe, indem Sie diese anheben. (Abb. 12)

Nehmen Sie die Kappen der Bürstenhalter mit Hilfe eines Schraubendrehers ab. Entnehmen Sie die verbrauchten Kohlebürsten, setzen Sie neue Bürsten ein und bringen Sie die Bürstenhalterkappen wieder fest an. (Abb. 13) Befestigen Sie die Abdeckung der Halterkappe wieder am Gerät.

Austausch von Klingen

Die Lebenszeit der Klingen hängt von den zu schneidenden Werkstücken ab. In der folgenden Referenztabelle ist die jeweilige ungefähre Lebenszeit der Klingen angegeben.

Wenn die Klingen stumpf werden, lassen Sie die Klingen durch ein von Makita autorisiertes Service Center ersetzen.

Für DJS160 und DJS161

Material	Schneiddicke (mm)	Lebensdauer der Klingen (m)
Baustahl (SPCC)	1,6	200
Edelstahl (SUS304)	1,2	150
Aluminium (A-5052)	2,5	400

010094

Für DJS100 und DJS101

Material	Schneiddicke (mm)	Lebensdauer der Klingen (m)
Baustahl (SPCC)	1,0	120
Edelstahl (SUS304)	0,7	50

010739

Um die SICHERHEIT und die ZUVERLÄSSIGKEIT des Produkts zu gewährleisten, sollten Reparaturen, Wartungsarbeiten und Einstellungen nur durch von Makita autorisierte Servicecenter durchgeführt und ausschließlich Makita-Ersatzteile verwendet werden.

SONDERZUBEHÖR

⚠ ACHTUNG:

- Für das in diesem Handbuch beschriebene Makita-Gerät werden die folgenden Zubehör- und Zusatzteile empfohlen. Bei Verwendung anderer Zubehör- und Zusatzteile kann es zu Verletzungen kommen. Verwenden Sie Zubehör- und Zusatzteile nur für den vorgesehenen Zweck.

Informationen zu diesem Zubehör erhalten Sie von Ihrem Makita-Servicecenter.

- Dickenmesser
- Mittelklinge
- Seitenklinge R
- Seitenklinge L
- Inbusschlüssel
- Original-Akku und Original-Ladegerät von Makita

HINWEIS:

- Einige der in der Liste aufgeführten Elemente sind dem Werkzeugpaket als Standardzubehör beigelegt. Diese können in den einzelnen Ländern voneinander abweichen.

Schall

ENG905-1

Typischer A-bewerteter Schallpegel nach EN60745:

Modell DJS100, DJS101, DJS161

Schalldruckpegel (L_{pA}): 71 dB (A)

Abweichung (K): 3 dB (A)

Unter Arbeitsbedingungen kann der Schallpegel 80 dB (A) überschreiten.

Modell DJS160

Schalldruckpegel (L_{pA}): 74 dB (A)

Abweichung (K): 3 dB (A)

Unter Arbeitsbedingungen kann der Schallpegel 80 dB (A) überschreiten.

Tragen Sie Gehörschutz.

Schwingung

ENG900-1

SchwingungsGesamtwerte (Vektorsumme dreier Achsen) nach EN60745:

Modell DJS100

Arbeitsmodus: Schneiden von Blech

Schwingungsbelastung (a_h): 12,5 m/s²

Abweichung (K): 1,5 m/s²

Modell DJS101, DJS161

Arbeitsmodus: Schneiden von Blech

Schwingungsbelastung (a_h): 13,0 m/s²

Abweichung (K): 1,5 m/s²

Modell DJS160

Arbeitsmodus: Schneiden von Blech

Schwingungsbelastung (a_h): 12,0 m/s²

Abweichung (K): 1,5 m/s²

ENG901-1

- Der hier angegebene Wert für die erzeugten Schwingungen wurde gemäß dem genormten Testverfahren ermittelt und kann als Vergleich zu anderen Werkzeugen herangezogen werden.
- Der angegebene Wert für die erzeugten Schwingungen ist außerdem für eine vorbeugende Bewertung der Belastung zu verwenden.

WARNUNG:

- Die Schwingungsbelastung kann bei tatsächlichem Gebrauch des Elektrowerkzeugs in Abhängigkeit von der Handhabung des Elektrowerkzeugs von dem hier aufgeführten Wert abweichen.
- Stellen Sie sicher, dass Schutzmaßnahmen für den Bediener getroffen werden, die auf den unter den tatsächlichen Arbeitsbedingungen zu erwartenden Belastungen beruhen (beziehen Sie alle Bestandteile des Arbeitsablaufs ein, also zusätzlich zu den Arbeitszeiten auch Zeiten, in denen das Werkzeug ausgeschaltet ist oder ohne Last läuft).

Nur für europäische Länder

ENH101-16

EG-Konformitätserklärung

Wir, Makita Corporation als verantwortlicher Hersteller, erklären, dass die folgenden Geräte der Marke Makita:

Bezeichnung des Geräts:

Akku-Blechscherer

Nummer / Typ des Modells: DJS100, DJS101, DJS160, DJS161

in Serienfertigung hergestellt werden und

den folgenden Richtlinien der Europäischen Union genügen:

2006/42/EG

Außerdem werden die Geräte gemäß den folgenden Standards oder Normen gefertigt:

EN60745

Die technische Dokumentation erfolgt durch:

Makita International Europe Ltd.

Technical Department,

Michigan Drive, Tongwell,

Milton Keynes, Bucks MK15 8JD, England

31. 7. 2009



Tomoyasu Kato

Direktor

Makita Corporation

3-11-8, Sumiyoshi-cho,

Anjo, Aichi, 446-8502, JAPAN

ITALIANO (Istruzioni originali)

Spiegazione della vista generale

- | | | |
|---------------------------|---|-----------------------------|
| 1. Pulsante | 8. Vite | 14. Perno |
| 2. Indicatore rosso | 9. Lama centrale | 15. Indicatore di limite |
| 3. Batteria | 10. Misuratore di spessore | 16. Coperchio portaspazzola |
| 4. Contrassegno a stella | 11. Lama laterale | 17. Tacca |
| 5. Leva dell'interruttore | 12. Bullone a testa esagonale incassata | 18. Cacciavite |
| 6. Spia luminosa | 13. Rifornitura di olio | 19. Coperchio portaspazzola |
| 7. Chiave esagonale | | |

CARATTERISTICHE TECNICHE

Modello		DJS160	DJS161	DJS100	DJS101
Capacità massima di taglio	Acciaio fino a 400 N/mm ²	1,6 mm (16 ga.)		1,0 mm (20 ga.)	
	Acciaio fino a 600 N/mm ²	1,2 mm (18 ga.)		0,7 mm (23 ga.)	
	Alluminio fino a 200 N/mm ²	2,5 mm (13 ga.)		2,5 mm (12 ga.)	
Raggio minimo di taglio		250 mm		30 mm	
Colpi al minuto (min ⁻¹)		4.300		4.300	
Lunghezza totale		362 mm		364 mm	
Peso netto		1,9 kg	2,0 kg	1,9 kg	2,0 kg
Tensione nominale		14,4V CC	18V CC	14,4V CC	18V CC

- Le caratteristiche tecniche riportate di seguito sono soggette a modifiche senza preavviso in virtù del nostro programma continuo di ricerca e sviluppo.
- Le caratteristiche tecniche e le batterie possono differire da paese a paese.
- Peso, comprensivo di batterie, calcolato in base alla Procedura EPTA 01/2003

Simboli

ENE004-6

Il seguente elenco riporta i simboli utilizzati per questo utensile. È importante comprenderne il significato prima di utilizzare l'utensile.



... Leggere il manuale di istruzioni.



..... Solo per Paesi UE

Non gettare le apparecchiature elettriche o le batterie tra i rifiuti domestici.

Secondo le Direttive Europee sui rifiuti di apparecchiature elettriche ed elettroniche, su batterie e accumulatori e sui rifiuti di batterie e di accumulatori, e la sua attuazione in conformità alle norme nazionali, le apparecchiature elettriche e le batterie esauste devono essere raccolte separatamente, al fine di essere riciclate in modo eco-compatibile.

Uso previsto

ENE037-1

L'utensile è progettato per il taglio di lamine d'acciaio e lamine d'acciaio inossidabile.

Avvertenze generali di sicurezza per l'uso dell'utensile

GEA010-1

⚠ AVVERTENZA Leggere attentamente tutte le avvertenze di sicurezza e le istruzioni. La mancata osservanza delle istruzioni e delle avvertenze riportate di seguito potrebbe provocare scosse elettriche, incendi e/o lesioni gravi.

Conservare le avvertenze e le istruzioni per riferimenti futuri.

AVVERTENZE DI SICUREZZA PER LE CESOIE A BATTERIA

GE067-1

1. **Tenere l'utensile in modo saldo.**
2. **Fissare saldamente il pezzo.**
3. **Mantenere le mani lontano dalle parti in movimento.**
4. **I bordi e i trucioli del pezzo in lavorazione sono taglienti. Indossare appositi guanti. Si consiglia inoltre di indossare scarpe con fondi abbastanza spessi per evitare lesioni.**
5. **Non posizionare l'utensile sui trucioli del pezzo in lavorazione. In caso contrario si potrebbero provocare danni o problemi all'utensile.**
6. **Non lasciare l'utensile acceso. Azionare l'utensile solo dopo averlo impugnato.**
7. **Accertarsi sempre di avere un equilibrio stabile. Controllare che nessuno si trovi sotto all'utensile quando lo si utilizza in posizioni elevate.**
8. **Non toccare la lama o il pezzo in lavorazione subito dopo aver utilizzato l'utensile in quanto possono raggiungere temperature elevate e provocare ustioni.**
9. **Evitare di tagliare i fili elettrici. Si potrebbero provocare gravi incidenti in seguito a scosse elettriche.**

CONSERVARE QUESTE ISTRUZIONI.

AVVERTENZA:

NON lasciare che la familiarità acquisita con il prodotto (dovuta all'uso ripetuto) provochi l'inosservanza delle regole di sicurezza per il presente utensile. L'USO IMPROPRIO o la mancata osservanza delle norme di sicurezza contenute in questo manuale può provocare lesioni personali gravi.

ISTRUZIONI IMPORTANTI PER LA SICUREZZA

ENC007-8

RELATIVE ALLA BATTERIA

1. Prima di utilizzare la batteria, leggere tutte le istruzioni e gli avvisi di sicurezza relativi a (1) caricabatteria, (2) batteria e (3) prodotto utilizzato con la batteria.
2. Non smontare la batteria.
3. Se il tempo di funzionamento è diventato eccessivamente breve, non utilizzare l'utensile. Potrebbero verificarsi surriscaldamenti, ustioni o esplosioni.
4. In caso di contatto dell'elettrolita della batteria con gli occhi, sciacquare con acqua fresca e rivolgersi immediatamente a un medico. Potrebbero verificarsi danni permanenti alla funzionalità visiva.
5. Non cortocircuitare la batteria:
 - (1) Non toccare i terminali della batteria con materiale in grado di condurre elettricità.
 - (2) Evitare di conservare la batteria a contatto con oggetti metallici quali chiodi, monete e così via.
 - (3) Non esporre le batterie all'acqua o alla pioggia.Un cortocircuito può provocare un elevato flusso di corrente, surriscaldamento, ustioni o rotture.
6. Non conservare l'utensile e la batteria a una temperatura superiore a 50 °C.
7. Evitare di smaltire le batterie danneggiate o esaurite bruciandole. Se esposte al fuoco, le batterie possono esplodere.
8. Evitare di far cadere o di colpire la batteria.
9. Non utilizzare batterie danneggiate.
10. Attenersi alle normative della propria area geografica relative allo smaltimento delle batterie.

CONSERVARE QUESTE ISTRUZIONI.

Suggerimenti il prolungamento della durata della batteria

1. Caricare le batterie prima di scaricarle completamente.
Se si nota una diminuzione di potenza dell'utensile, interrompere il lavoro e ricaricare la batteria.

2. Non ricaricare una batteria già completamente carica.
In caso contrario, la durata operativa della batteria potrebbe ridursi.
3. Caricare la batteria in ambienti con temperatura compresa tra 10 °C e 40 °C. Prima di caricare una batteria surriscaldata, lasciarla raffreddare.
4. Caricare la batteria una volta ogni sei mesi se l'utensile rimane inutilizzato per lungo tempo.

DESCRIZIONE FUNZIONALE

ATTENZIONE:

- Prima di regolare o controllare le funzioni dell'utensile, verificare sempre di averlo spento e di aver rimosso la batteria.

Installazione o rimozione della batteria (Fig. 1)

⚠ ATTENZIONE:

- Prima di inserire o rimuovere la batteria, spegnere sempre l'utensile.
- Durante l'inserimento o la rimozione della batteria, tenere saldamente l'utensile e la batteria stessa. In caso contrario potrebbero scivolare dalle mani, con conseguenti danni all'utensile, alla batteria e alla persona.

Per rimuovere la batteria è sufficiente estrarla dall'utensile facendo scorrere il pulsante sulla parte anteriore della batteria.

Per inserire la batteria, allineare la linguetta della batteria con la scanalatura nell'alloggiamento e farla scorrere in posizione. Inserire a fondo la batteria fino a bloccarla in posizione con uno scatto. Se è visibile l'indicatore rosso sul lato superiore del pulsante, significa che la batteria non è completamente inserita.

⚠ ATTENZIONE:

- inserire a fondo la batteria fino alla scomparsa dell'indicatore rosso. In caso contrario, la batteria potrebbe fuoriuscire accidentalmente dall'utensile, provocando danni all'operatore o a eventuali osservatori.
- Non forzare l'inserimento della batteria. Se la batteria non scorre agevolmente, significa che la manovra di inserimento non è corretta.

Sistema di protezione della batteria

L'utensile è dotato di un sistema di protezione della batteria. Questo sistema interrompe automaticamente l'alimentazione del motore per prolungare la durata della batteria.

L'utensile si spegne automaticamente durante l'uso se l'utensile stesso e/o la batteria si trovano in una delle seguenti condizioni:

- Sovraccarico:
La modalità d'uso dell'utensile provoca un assorbimento anomalo di corrente. In questa situazione, spegnere l'utensile e interrompere l'operazione che ha provocato il sovraccarico dell'utensile stesso. Quindi accendere l'utensile per ricominciare.
Se l'utensile non si avvia, si è verificato un surriscaldamento della batteria. In questo caso,

attendere che la batteria si raffreddi prima di accendere nuovamente l'utensile.

- **Bassa tensione della batteria:**
La capacità residua della batteria è troppo bassa e non consente di utilizzare l'utensile. In questo caso, rimuovere e ricaricare la batteria.

NOTA:

La protezione contro il surriscaldamento funziona solo con batterie con contrassegno a stella. (Fig. 2)

Azionamento dell'interruttore (Fig. 3)

ATTENZIONE:

- Prima di inserire la batteria nell'utensile, controllare se la leva dell'interruttore funziona correttamente e ritorna alla posizione "SPENTO" quando viene premuta la parte posteriore della leva dell'interruttore.
- È possibile bloccare l'interruttore nella posizione "ON" (ACCESO) per garantire comodità all'operatore durante l'uso prolungato dell'utensile. Prestare attenzione quando si blocca l'utensile nella posizione "OFF" (SPENTO) e mantenere una presa sicura.

Per avviare l'utensile, portare la leva dell'interruttore in posizione "I (ACCESO)". Per il funzionamento continuo, premere la parte anteriore della leva dell'interruttore per bloccarne la posizione.

Per arrestare l'utensile, premere la parte posteriore della leva dell'interruttore, quindi portarlo nella posizione "O (SPENTO)".

Spia luminosa multifunzione (Fig. 4)

Le spie luminose sono presenti in due posizioni.

- **Segnale di sostituzione della batteria**
 - Quando la batteria sta per scaricarsi durante l'uso, la spia rossa si accende e l'utensile si blocca immediatamente. Quando si accende la spia rossa, sostituire la batteria con una completamente carica.
- **Funzione di prevenzione del riavvio accidentale**
 - Anche se la batteria è inserita nell'utensile con l'interruttore scorrevole nella posizione "I (ACCESO)", l'utensile non si accende. In questo caso, la spia lampeggia lentamente per indicare che è in uso la funzione di prevenzione del riavvio accidentale.
 - Per accendere l'utensile, portare l'interruttore scorrevole prima nella posizione "O (SPENTO)", quindi nella posizione "I (ACCESO)".

MONTAGGIO

ATTENZIONE:

- Prima di eseguire qualsiasi operazione sull'utensile, verificare sempre di averlo spento e di aver rimosso la batteria.

Regolazione del gioco delle lame

Solo per **DJS160** e **DJS161**

Regolare il gioco tra la lama laterale e la lama centrale in base allo spessore del pezzo in lavorazione. (Fig. 5)

Utilizzare innanzitutto un cacciavite per allentare la vite.

(Fig. 6)

Utilizzare quindi la chiave esagonale per regolare il gioco delle lame stringendo oppure allentando il bullone.

Potrebbe esserci una leggera differenza di gioco tra i due lati della lama centrale.

Controllare il gioco minore con il misuratore di spessore e procedere alla regolazione.

Quando si utilizza il misuratore di spessore per regolare il gioco delle lame, fare riferimento alla tabella sottostante.

Spessore del pezzo in lavorazione (mm)	Indicazione sul misuratore di spessore
Inferiore a 0,8	0,5
0,8 - 1,3	1,0
Superiore a 1,3	1,5

006428

Dopo aver regolato il gioco delle lame, stringere saldamente la vite.

Allungamento della chiave esagonale (Fig. 7)

Quando non viene utilizzata, conservare la chiave esagonale come mostrato in figura.

USO

Lubrificazione (Fig. 8)

Prima dell'uso, lubrificare il punto di contatto della lama centrale e del perno. Per ottenere un ottimo rendimento durante il taglio, utilizzare anche un lubrificante per il taglio di tanto in tanto durante la lavorazione.

FUNZIONAMENTO (Fig. 9)

Accendere l'utensile e posizionare le estremità anteriori delle lame laterali sul pezzo in lavorazione. A questo punto muovere l'utensile in avanti tenendo le lame laterali livellate con la superficie del pezzo in lavorazione.

(Fig. 10)

ATTENZIONE:

- Durante il taglio di una piccola parte del pezzo in lavorazione, potrebbe risultare difficile tagliare la parte finale. In tal caso, cercare di tagliare di nuovo il pezzo, tirandolo leggermente indietro.

MANUTENZIONE

ATTENZIONE:

- Prima di effettuare controlli o operazioni di manutenzione, verificare sempre di aver spento l'utensile e di aver rimosso la batteria.

AVVISO:

- Evitare assolutamente di usare benzina, diluenti, solventi, alcol o sostanze simili. In caso contrario, potrebbero verificarsi scoloriture, deformazioni o incrinature.

L'utensile e le aperture di ventilazione devono essere mantenuti puliti. Pulire regolarmente le aperture di ventilazione dell'utensile o quando iniziano a essere ostruite.

Sostituzione delle spazzole di carbone (Fig. 11)

Rimuovere e controllare periodicamente le spazzole di carbone. Sostituire le spazzole quando sono consumate

fino al limite indicato. Mantenere le spazzole di carbone pulite e libere per farle slittare nei supporti. Entrambe le spazzole di carbone devono essere sostituite contemporaneamente. Utilizzare solo spazzole di carbone identiche.

Inserire l'estremità superiore della punta del cacciavite nella tacca sull'utensile, quindi rimuovere il coperchio del supporto mediante sollevamento. **(Fig. 12)**

Rimuovere i coperchi dei portaspazzola con un cacciavite.

Estrarre le spazzole di carbone consumate, inserire le nuove spazzole e fissare i coperchi dei portaspazzola. **(Fig. 13)**

Rimontare il coperchio del supporto sull'utensile.

Sostituzione delle lame

La durata delle lame varia in base al materiale del pezzo da tagliare. Le tabelle di riferimento riportate di seguito indicano la durata approssimativa delle lame.

Quando le lame diventano smussate, rivolgersi ai centri di assistenza autorizzati Makita per la loro sostituzione.

Per DJS160 e DJS161

Materiale	Spessore di taglio (mm)	Durata delle lame (m)
Lastra di acciaio dolce (SPCC)	1,6	200
Lastra di acciaio inossidabile (SUS304)	1,2	150
Lastra di alluminio (A-5052)	2,5	400

010094

Per DJS100 e DJS101

Materiale	Spessore di taglio (mm)	Durata delle lame (m)
Lastra di acciaio dolce (SPCC)	1,0	120
Lastra di acciaio inossidabile (SUS304)	0,7	50

010739

Per mantenere la SICUREZZA e l'AFFIDABILITÀ del prodotto, le riparazioni e qualsiasi altra operazione di manutenzione o regolazione devono essere eseguiti dai centri di assistenza autorizzati Makita utilizzando sempre parti di ricambio Makita.

ACCESSORI OPZIONALI

⚠ ATTENZIONE:

- Si consiglia l'uso dei seguenti accessori per l'utensile Makita descritto in questo manuale. L'uso di qualsiasi altro accessorio potrebbe provocare lesioni personali. Utilizzare gli accessori esclusivamente per l'uso dichiarato.

Per l'assistenza e per ulteriori informazioni su tali accessori, rivolgersi al centro assistenza Makita di zona.

- Misuratore di spessore
- Lama centrale

- Lama laterale R
- Lama laterale L
- Chiave esagonale
- Batteria e caricabatteria originali Makita

NOTA:

- Alcuni degli accessori elencati potrebbero essere inclusi nella confezione dell'utensile come accessori standard. Gli accessori standard possono differire da paese a paese.

Rumore

ENG905-1

Il tipico livello di rumore ponderato "A" è determinato in conformità con la norma EN60745:

Modello DJS100, DJS101, DJS161

Livello di pressione sonora (L_{pA}): 71 dB (A)

Variazione (K): 3 dB (A)

Il livello acustico in funzionamento può superare 80 dB (A).

Modello DJS160

Livello di pressione sonora (L_{pA}): 74 dB (A)

Variazione (K): 3 dB (A)

Il livello acustico in funzionamento può superare 80 dB (A).

Indossare una protezione acustica.

Vibrazione

ENG900-1

Il valore totale delle vibrazioni (somma vettoriale triassiale) è determinato in conformità con la norma EN60745:

Modello DJS100

Modalità di lavoro: taglio di lamine di metallo

Emissione delle vibrazioni (a_h): 12,5 m/s²

Variazione (K): 1,5 m/s²

Modello DJS101, DJS161

Modalità di lavoro: taglio di lamine di metallo

Emissione delle vibrazioni (a_h): 13,0 m/s²

Variazione (K): 1,5 m/s²

Modello DJS160

Modalità di lavoro: taglio di lamine di metallo

Emissione delle vibrazioni (a_h): 12,0 m/s²

Variazione (K): 1,5 m/s²

ENG901-1

- Il valore di emissione delle vibrazioni dichiarato è stato misurato in conformità con il metodo di test standard e può essere utilizzato per confrontare tra loro diversi utensili.
- Il valore dell'emissione delle vibrazioni dichiarato può anche essere usato per stime preliminari dell'esposizione.

⚠ AVVERTENZA:

- L'emissione delle vibrazioni durante l'uso effettivo dell'utensile elettrico può risultare diversa rispetto al valore dichiarato, in base alla modalità d'uso dell'utensile.
- Assicurarsi di individuare le necessarie misure di sicurezza per proteggere l'operatore in base a una stima dell'esposizione nelle condizioni reali di utilizzo (prendendo in considerazione tutte le fasi del ciclo operativo, come quante volte l'utensile viene spento e i periodi in cui rimane inattivo, oltre al tempo di avviamento).

Solo per i paesi europei

ENH101-16

Dichiarazione di conformità CE

Makita Corporation, in qualità di produttore responsabile, dichiara che gli utensili Makita indicati di seguito:

Denominazione dell'utensile:

Cesoie per metallo a batteria

N. modello/Tipo: DJS100, DJS101, DJS160, DJS161

appartengono a una produzione in serie e

sono conformi alle seguenti direttive europee:

2006/42/EC

Sono inoltre prodotti in conformità con gli standard o i documenti standardizzati riportati di seguito:

EN60745

La documentazione tecnica viene conservata da:

Makita International Europe Ltd.

Technical Department,

Michigan Drive, Tongwell,

Milton Keynes, Bucks MK15 8JD, Inghilterra

31. 7. 2009



Tomoyasu Kato

Direttore

Makita Corporation

3-11-8, Sumiyoshi-cho,

Anjo, Aichi, 446-8502, JAPAN

NEDERLANDS (Originele instructies)

Verklaring van algemene gegevens

1. Knop	8. Bout	15. Slijtgrensmarkering
2. Rode deel	9. Middenblad	16. Koolborstelafdekking
3. Accu	10. Voelermaat	17. Nok
4. Ster-merkteken	11. Zijblad	18. Schroevendraaier
5. Aan/uit-schakelaar	12. Inbusbout	19. Koolborsteldop
6. Bedrijfslampje	13. Olie toevoegen	
7. Inbussleutel	14. Pen	

TECHNISCHE GEGEVENS

Model		DJS160	DJS161	DJS100	DJS101
Max. snijdikte	Staal t/m 400 N/mm ²	1,6 mm (16 ga.)		1,0 mm (20 ga.)	
	Staal t/m 600 N/mm ²	1,2 mm (18 ga.)		0,7 mm (23 ga.)	
	Aluminium t/m 200 N/mm ²	2,5 mm (13 ga.)		2,5 mm (12 ga.)	
Min. snijdiameter		250 mm		30 mm	
Aantal snijbewegingen per minuut (min ⁻¹)		4.300		4.300	
Totale lengte		362 mm		364 mm	
Netto gewicht		1,9 kg	2,0 kg	1,9 kg	2,0 kg
Nominale spanning		14,4V gelijkstroom	18V gelijkstroom	14,4V gelijkstroom	18V gelijkstroom

- Als gevolg van ons doorlopende onderzoeks- en ontwikkelingsprogramma, zijn de technische gegevens van dit gereedschap onderhevig aan veranderingen zonder voorafgaande kennisgeving.
- Specificaties en accu's kunnen van land tot land verschillen.
- Gewicht, inclusief de accu, volgens de EPTA-procedure 01/2003

Symbolen

END004-6

Hieronder staan de symbolen die voor dit gereedschap worden gebruikt. Zorg ervoor dat u weet wat ze betekenen alvorens het gereedschap te gebruiken.



... Lees de gebruiksaanwijzing.



..... Alleen voor EU-landen

Geef elektrisch gereedschap en accu's niet met het huisvuil mee!
Volgens de Europese richtlijn inzake oude elektrische en elektronische apparaten, en inzake batterijen en accu's en oude batterijen en accu's, en de toepassing daarvan binnen de nationale wetgeving, dienen elektrisch gereedschap, accu's en batterijen die het einde van hun levensduur hebben bereikt, gescheiden te worden ingezameld en te worden afgevoerd naar een recyclebedrijf dat voldoet aan de geldende milieueisen.

Gebruiksdoelinden

ENE037-1

Het gereedschap is bedoeld voor het knippen van plaatstaal en roestvrijplaatstaal.

Algemene veiligheidswaarschuwingen voor elektrisch gereedschap

GEA010-1

⚠ WAARSCHUWING Lees alle veiligheidswaarschuwingen en alle instructies. Het niet volgen van de waarschuwingen en instructies kan leiden tot elektrische schokken, brand en/of ernstig letsel.

Bewaar alle waarschuwingen en instructies om in de toekomst te kunnen raadplegen.

VEILIGHEIDSWAARSCHUWINGEN ACCUSCHAAR

GEB067-1

1. **Houd het gereedschap stevig vast.**
2. **Klem het werkstuk stevig vast.**
3. **Houd uw handen uit de buurt van bewegende delen.**
4. **De randen en afgesneden stukjes van het werkstuk zijn scherp. Draag werkhandschoenen. Wij adviseren u tevens schoenen met dikke zolen te dragen om letsel te voorkomen.**
5. **Zet het gereedschap niet bovenop de afgesneden stukjes van het werkstuk. Hierdoor kan het gereedschap worden beschadigd en een storing optreden.**
6. **Laat het gereedschap niet ingeschakeld liggen. Bedien het gereedschap alleen wanneer u het vasthoudt.**

- Zorg er altijd voor dat u stevig staat. Zorg ervoor dat er niemand zich onder u bevindt wanneer u het gereedschap op een hoge plaats gebruikt.
- Raak het blad en het werkstuk niet onmiddellijk na gebruik aan. Zij kunnen bijzonder heet zijn en brandwonden op uw huid veroorzaken.
- Voorkom dat u elektrische kabel doorknipt. Hierdoor kan elektrocutie en een ernstig ongeluk ontstaan.

BEWAAR DEZE INSTRUCTIES.

WAARSCHUWING:

Laat u NIET misleiden door een vals gevoel van comfort en bekendheid met het gereedschap (na veelvuldig gebruik) en neem alle veiligheidsvoorschriften van het betreffende product altijd strikt in acht. VERKEERD GEBRUIK of het niet volgen van de veiligheidsinstructies in deze gebruiksaanwijzing kan leiden tot ernstig persoonlijk letsel.

BELANGRIJKE VEILIGHEIDSLINSTRUCTIES ENC007-8

VOOR ACCU'S

- Alvorens de accu in gebruik te nemen, leest u eerst alle instructies en waarschuwingsofschriften op (1) de acculader, (2) de accu en (3) het apparaat waarin de accu wordt aangebracht.
- Haal de accu niet uit elkaar.
- Als de gebruikstijd aanzienlijk korter is geworden, stopt u onmiddellijk met het gebruik. Anders kan dit leiden tot kans op oververhitting, mogelijke brandwonden en zelfs een explosie.
- Als de elektrolyt in uw ogen komt, wast u deze uit met schoon water en raadpleegt u onmiddellijk een arts. Dit kan leiden tot verlies van gezichtsvermogen.
- Sluit de accu niet kort:
 - Raak de accupolen niet aan met enig geleidend materiaal.
 - Bewaar de accu niet op een plaats waar deze in aanraking kan komen met andere metalen voorwerpen, zoals spijkers, munten, enz.
 - Stel de accu niet bloot aan water of regen. Kortsluiting van de accu kan leiden tot een hoge stroomsterkte, oververhitting, mogelijke brandwonden en zelfs een defect.
- Bewaar het gereedschap en de accu niet op plaatsen waar de temperatuur kan oplopen tot 50 °C of hoger.
- Werp de accu niet in een vuur, zelfs niet als deze al ernstig beschadigd of helemaal versleten is. De accu kan in een vuur exploderen.
- Wees voorzichtig dat u de accu niet laat vallen of ergens tegenaan stoot.
- Gebruik nooit een beschadigde accu.
- Neem de plaatselijke regelgeving met betrekking tot het weggoien van de accu in acht.

BEWAAR DEZE INSTRUCTIES.

Tips voor een lange levensduur van de accu

- Laad de accu op voordat deze volledig leeg is. Wanneer u merkt dat het gereedschap minder vermogen heeft, stopt u met het gebruik ervan en laadt u eerst de accu op.
- Laad nooit een volledig opgeladen accu op. Te lang opladen verkort de levensduur van de accu.
- Laad de accu op bij een omgevingstemperatuur van 10 °C tot 40 °C. Laat een warme accu eerst afkoelen voordat u deze oplaadt.
- Laad de accu ieder half jaar op als u deze gedurende een lange tijd niet gebruikt.

BESCHRIJVING VAN DE FUNCTIES

LET OP:

- Zorg ervoor dat het gereedschap is uitgeschakeld en dat de accu is verwijderd voordat u de werking van het gereedschap aanpast of controleert.

De accu aanbrengen en verwijderen (zie afb. 1)

⚠ LET OP:

- Schakel het gereedschap altijd uit voordat u de accu aanbrengt of verwijdert.
- Houd het gereedschap en de accu stevig vast tijdens het aanbrengen of verwijderen van de accu. Als u het gereedschap en de accu niet stevig vasthoudt, kunnen deze uit uw handen glippen en beschadigd raken, of kan persoonlijk letsel worden veroorzaakt.

Om de accu te verwijderen vershuift u de knop aan de voorkant van de accu en schuift u tegelijkertijd de accu eraf.

Om de accu aan te brengen, lijnt u de lip op de accu uit met de groef in de behuizing en duwt u de accu op zijn plaats. Steek de accu zo ver mogelijk erin tot u een klinkgeluid hoort. Als u het rode deel aan de bovenkant van de knop kunt zien, is de accu niet goed aangebracht.

⚠ LET OP:

- Breng de accu altijd helemaal aan totdat het rode deel niet meer zichtbaar is. Als u dit niet doet, kan de accu per ongeluk uit het gereedschap vallen en u of anderen in uw omgeving verwonden.
- Breng de accu niet met kracht aan. Als de accu niet gemakkelijk erin kan worden geschoven, wordt deze niet goed aangebracht.

Accubeveiligingssysteem

Het gereedschap is uitgerust met een accubeveiligingssysteem. Dit systeem schakelt automatisch de voeding naar de motor uit om de levensduur van de accu te verlengen. Het gereedschap zal tijdens gebruik automatisch stoppen wanneer het gereedschap en/of de accu zich in een van de volgende omstandigheden bevinden:

- **Overbelasting:**
Het gereedschap wordt gebruikt op een manier die ertoe leidt dat een abnormaal hoge stroomsterkte uit de accu wordt getrokken.
Schakel in die situatie het gereedschap uit en stop het gebruik dat ertoe leidde dat het gereedschap overbelast werd. Schakel daarna opnieuw het gereedschap in om het opnieuw te starten.
Als het gereedschap niet wordt ingeschakeld, is de accu oververhit. Laat in die situatie de accu eerst afkoelen voordat u het gereedschap opnieuw inschakelt.
- **Lage accuspanning:**
De resterende acculading is te laag en het gereedschap wordt niet ingeschakeld. Verwijder in die situatie de accu en laad hem op.

OPMERKING:

De oververhittingsbeveiliging werkt alleen met een accu waarop het ster-merkteken staat (zie afb. 2).

In- en uitschakelen (zie afb. 3)

LET OP:

- Controleer altijd, voordat u de accu in het gereedschap steekt, of de aan/uit-schakelaar op de juiste manier schakelt en weer terugkeert naar de uit-stand, wanneer achter op de aan/uit-schakelaar wordt gedrukt.
- De aan/uit-schakelaar kan worden vergrendeld in de aan-stand ten behoeve van het gebruikersgemak bij langdurig gebruik. Wees voorzichtig wanneer het gereedschap in de uit-stand is vergrendeld en houd het gereedschap stevig vast.

Om het gereedschap in te schakelen, schuift u de aan/uit-schakelaar naar de stand I (ON). Om het gereedschap continu te laten werken, drukt u op de voorkant van de aan/uit-schakelaar om deze te vergrendelen.

Om het gereedschap uit te schakelen drukt u op de achterkant van de aan/uit-schakelaar en schuift u de knop naar de positie O (OFF).

Bedrijfslampjes met meerdere functies (zie afb. 4)

Er zijn twee bedrijfslampjes.

- **Lampje bij accu bijna leeg**
 - Wanneer de acculading tijdens gebruik bijna geheel opgebruikt is, gaat het rode lampje branden en stopt het gereedschap onmiddellijk. Wanneer het rode lampje brandt, vangt u de lege accu door een volledig opgeladen accu.
- **Beveiliging tegen onopzettelijk herstarten**
 - Zelfs als de accu in het gereedschap is gestoken terwijl de aan/uit-schakelaar in de stand I (ON) staat, start het gereedschap niet. Het lampje knippert nu langzaam, wat aangeeft dat de beveiliging tegen onopzettelijk herstarten actief is.
 - Om het gereedschap te starten schuift u de aan/uit-schakelaar eerst naar de stand O (OFF) en vervolgens naar de stand I (ON).

ONDERDELEN AANBRENGEN/ VERWIJDEREN

LET OP:

- Controleer altijd of het gereedschap is uitgeschakeld en de accu is verwijderd alvorens enige werkzaamheden aan het gereedschap te verrichten.

De speling tussen de messenbladen afstellen

Aleen voor DJS160 en DJS161

Stel de speling af tussen het zijblad en het middenblad aan de hand van de dikte van het werkstuk (zie afb. 5). Gebruik eerst een inbussleutel om de bout lot st draaien (zie afb. 6).

Gebruik vervolgens de inbussleutel om de speling af te stellen door de bout vast of los te draaien. Er mag een klein verschil zitten tussen de speling aan de beide zijden van het middenblad.

Controleer de kleinste speling met behulp van de voelmaat en stel deze af.

Raadpleeg de tabel bij het afstellen van de speling van de messenbladen met behulp van de voelmaat.

Dikte van het werkstuk (mm)	Aanduiding op de voeler
Minder dan 0,8	0,5
0,8 - 1,3	1,0
Meer dan 1,3 mm	1,5

006428

Draai na het afstellen van de speling de bout stevig vast.

Opbergplaats van de inbussleutel (zie afb. 7)

Berg de inbussleutel op zijn opbergplaats op, zoals aangegeven in de afbeelding.

BEDIENING

Smeren (zie afb. 8)

Smeer vóór gebruik het raakpunt van het middenblad en de pen. Om de snijprestaties hoog te houden, gebruikt u tijdens het gebruik tevens regelmatig een snijsmearmiddel.

BEDIENING (zie afb. 9)

Schakel het gereedschap in en plaat de voorrand van de zijbladen op het werkstuk. Beweeg het gereedschap nu simpelweg naar voren waarbij u de zijbladen plat op het werkstuk houdt (zie afb. 10).

LET OP:

- Wanneer u een klein stukje van het werkstuk afsnijdt, kan het lastig zijn het einde van de snede af te maken. Probeer in dat geval nogmaals te snijden waarbij u het werkstuk iets naar achteren trekt.

ONDERHOUD

LET OP:

- Zorg er altijd voor dat de machine is uitgeschakeld en de accu is verwijderd, voordat u een inspectie of onderhoud uitvoert.

KENNISGEVING:

- Gebruik nooit benzine, wasbenzine, thinner, alcohol, enz. Dit kan leiden tot verkleuren, vervormen of barsten.

Het gereedschap en de ventilatieopeningen moeten schoon gehouden worden. Maak de ventilatieopeningen van het gereedschap regelmatig schoon of zodra de ventilatieopeningen verstopt dreigen te raken.

De koolborstels vervangen (zie afb. 11)

Verwijder en controleer de koolborstels regelmatig. Vervang deze wanneer ze tot aan de slijtgrensmarkering zijn afgesleten. Houd de koolborstels schoon en zorg ervoor dat ze vrij kunnen bewegen in de houders. Beide koolborstels dienen tegelijkertijd te worden vervangen. Gebruik alleen identieke koolborstels.

Steek een platkopschroevendraaier in de keping in het gereedschap en verwijder de houderafdekking door deze omhoog te wippen (zie afb. 12).

Gebruik een schroevendraaier om de koolborsteldoppen te verwijderen. Haal de versleten koolborstels eruit, plaats de nieuwe erin, en zet de koolborsteldoppen goed vast (zie afb. 13).

Plaats de houderafdekking terug op het gereedschap.

De snijbladen vervangen

De levensduur van van de snijbladen verschilt afhankelijk van het werkstuk dat wordt gesneden. De volgende referentietabel geeft de levensduur van de snijbladen bij benadering aan.

Als de snijbladen bot worden, vraagt u een erkend Makita-servicecentrum de snijbladen te vervangen.

Voor DJS160 en DJS161

Materiaal	Snijdikte (mm)	Levensduur snijbladen (m)
Zacht-staalplaat (SPCC)	1,6	200
Roestvrijstaalplaat (SUS304)	1,2	150
Aluminiumplaat (A-5052)	2,5	400

010094

Voor DJS100 en DJS101

Materiaal	Snijdikte (mm)	Levensduur snijbladen (m)
Zacht-staalplaat (SPCC)	1,0	120
Roestvrijstaalplaat (SUS304)	0,7	50

010739

Om de VEILIGHEID en BETROUWBAARHEID van het gereedschap te handhaven, dienen alle reparaties, onderhoud en afstellingen te worden uitgevoerd door een erkend Makita-servicecentrum, en altijd met gebruikmaking van originele Makita-ervangingsonderdelen.

VERKRIJGBARE ACCESSOIRES

⚠ LET OP:

- Deze accessoires of hulpstukken worden aanbevolen voor gebruik met het Makita-gereedschap dat in deze gebruiksaanwijzing wordt beschreven. Het gebruik van andere accessoires of hulpstukken kan gevaar voor persoonlijk letsel opleveren. Gebruik de accessoires of hulpstukken uitsluitend voor de aangegeven gebruiksdoeleinden.

Mocht u meer informatie willen hebben over deze accessoires, dan kunt u contact opnemen met uw plaatselijke Makita-servicecentrum.

- Voelermaat
- Middenblad
- Zijblad rechts
- Zijblad links
- Inbussleutel
- Originale Makita-accu en -lader

OPMERKING:

- Sommige items op de lijst kunnen zijn inbegrepen in de doos van het gereedschap als standaard toebehoren. Zij kunnen van land tot land verschillen.

Geluid

ENG905-1

De typische, A-gewogen geluidsniveaus zijn gemeten volgens EN60745:

Model DJS100, DJS101, DJS161

Geluidsdrukniveau (L_{pA}): 71 dB (A)

Onzekerheid (K): 3 dB (A)

Het geluidsniveau kan tijdens gebruik hoger worden dan 80 dB (A).

Model DJS160

Geluidsdrukniveau (L_{pA}): 74 dB (A)

Onzekerheid (K): 3 dB (A)

Het geluidsniveau kan tijdens gebruik hoger worden dan 80 dB (A).

Draag gehoorbescherming.

Trilling

ENG900-1

De totale trillingswaarde (triaxiale vectorsom) zoals vastgesteld volgens EN60745:

Model DJS100

Gebruikstoepassing: plaatstaal knippen

Trillingsemissie (a_{h1}): 12,5 m/s²

Onzekerheid (K): 1,5 m/s²

Model DJS101, DJS161

Gebruikstoepassing: plaatstaal knippen

Trillingsemissie (a_{h1}): 13,0 m/s²

Onzekerheid (K): 1,5 m/s²

Model DJS160

Gebruikstoepassing: plaatstaal knippen

Trillingsemissie (a_{h1}): 12,0 m/s²

Onzekerheid (K): 1,5 m/s²

- De opgegeven trillingsemisiewaarde is gemeten volgens de standaardtestmethode en kan worden gebruikt om dit gereedschap te vergelijken met andere gereedschappen.
- De opgegeven trillingsemisiewaarde kan ook worden gebruikt voor een beoordeling vooraf van de blootstelling.

⚠ WAARSCHUWING:

- De trillingsemisie tijdens het gebruik van het elektrisch gereedschap in de praktijk kan verschillen van de opgegeven trillingsemisiewaarde afhankelijk van de manier waarop het gereedschap wordt gebruikt.
- Zorg ervoor dat veiligheidsmaatregelen worden getroffen ter bescherming van de operator die zijn gebaseerd op een schatting van de blootstelling onder praktijkomstandigheden (rekening houdend met alle fasen van de bedrijfscyclus, zoals de tijdsduur gedurende welke het gereedschap is uitgeschakeld en stationair draait, naast de ingeschakelde tijdsduur).

Alleen voor Europese landen

ENH101-16

EU-verklaring van conformiteit

Wij, Makita Corporation, als de verantwoordelijke fabrikant, verklaren dat de volgende Makita-machine(s):

Aanduiding van de machine:

Accuplaatschaar

Modelnr./Type: DJS100, DJS101, DJS160 en DJS161

in serie zijn geproduceerd en

Voldoen aan de volgende Europese richtlijnen:

2006/42/EC

En zijn gefabriceerd in overeenstemming met de volgende normen of genormaliseerde documenten:

EN60745

De technische documentatie wordt bewaard door:

Makita International Europe Ltd.

Technical Department,

Michigan Drive, Tongwell,

Milton Keynes, Bucks MK15 8JD, Engeland

31. 7. 2009



Tomoyasu Kato

Directeur

Makita Corporation

3-11-8, Sumiyoshi-cho,

Anjo, Aichi, 446-8502, JAPAN

ESPAÑOL (Instrucciones originales)

Descripción y visión general

- | | | |
|----------------------------|-------------------------------|----------------------------------|
| 1. Botón | 8. Tornillo | 15. Marca de límite |
| 2. Indicador rojo | 9. Cuchilla central | 16. Cubierta del portaescobillas |
| 3. Cartucho de la batería | 10. Calibre de espesores | 17. Muesca |
| 4. Marca de estrella | 11. Cuchilla lateral | 18. Destornillador |
| 5. Palanca del interruptor | 12. Perno de cabeza hexagonal | 19. Tapa del portaescobillas |
| 6. Lámpara indicadora | 13. Suministro de aceite | |
| 7. Llave hexagonal | 14. Pasador | |

ESPECIFICACIONES

Modelo		DJS160	DJS161	DJS100	DJS101
Capacidad máxima de corte	Acero de hasta 400 N/mm ²	1,6 mm (16 ga.)		1,0 mm (20 ga.)	
	Acero de hasta 600 N/mm ²	1,2 mm (18 ga.)		0,7 mm (23 ga.)	
	Aluminio de hasta 200 N/mm ²	2,5 mm (13 ga.)		2,5 mm (12 ga.)	
Radio de corte mínimo		250 mm		30 mm	
Carreras por minuto (min ⁻¹)		4.300		4.300	
Longitud total		362 mm		364 mm	
Peso neto		1,9 kg	2,0 kg	1,9 kg	2,0 kg
Tensión nominal		CC de 14,4V	CC de 18V	CC de 14,4V	CC de 18V

- Debido a nuestro programa continuo de investigación y desarrollo, las especificaciones aquí descritas están sujetas a cambios sin previo aviso.
- Las especificaciones y el cartucho de la batería pueden variar de un país a otro.
- Peso, con el cartucho de la batería, de acuerdo con el procedimiento EPTA 01/2003

Símbolos

END004-6

Se utilizan los siguientes símbolos para el equipo.

Asegúrese de que comprende su significado antes del uso.



... Lea el manual de instrucciones.



Sólo para países de la Unión Europea
¡No deseche el aparato eléctrico o la batería junto con los residuos domésticos!

De conformidad con la Directiva Europea sobre residuos de aparatos eléctricos y electrónicos, y sobre baterías y acumuladores y el desecho de baterías y acumuladores y su aplicación de acuerdo con la legislación nacional, la herramienta eléctrica y las baterías y paquetes de baterías cuya vida útil haya llegado a su fin se deberán recoger por separado y trasladar a una planta de reciclaje que cumpla con las exigencias ecológicas.

Uso previsto

ENE037-1

La herramienta está diseñada para cortar acero laminado y acero inoxidable laminado.

Advertencias de seguridad generales para herramientas eléctricas

GEA010-1

⚠ ADVERTENCIA Lea todas las advertencias de seguridad y todas las instrucciones. La no observancia de las advertencias y las instrucciones puede provocar descargas eléctricas, incendios y/o lesiones graves.

Guarde todas las advertencias e instrucciones para futuras consultas.

ADVERTENCIAS DE SEGURIDAD DE LA CIZALLA DE METAL A BATERÍA

GEB067-1

1. Sujete con fuerza la herramienta.
2. Fije firmemente la pieza de trabajo.
3. Mantenga las manos alejadas de las piezas móviles.
4. Los bordes y las virutas de la pieza de trabajo pueden estar afilados. Utilice siempre guantes. Para evitar posibles lesiones, también es aconsejable llevar calzado de suela gruesa.
5. No coloque la herramienta encima de las virutas procedentes de la pieza de trabajo. La herramienta podría averiarse o sufrir algún problema.
6. No deje la herramienta encendida. Póngala en marcha solamente cuando la tenga en las manos.

7. Colóquese siempre en una posición bien equilibrada.
Si utiliza la herramienta en una ubicación elevada, asegúrese de que nadie se encuentre debajo.
8. No toque la cuchilla ni la pieza de trabajo inmediatamente después de realizar un corte; pueden estar extremadamente calientes y producir quemaduras en la piel.
9. Evite cortar cables eléctricos. Podría producirse un accidente grave debido a una descarga eléctrica.
8. Procure que la batería no sufra golpes ni caídas.
9. No utilice una batería dañada.
10. Siga las normativas locales relativas al desecho de la batería.

GUARDE ESTAS INSTRUCCIONES.

ADVERTENCIA:

No deje que la comodidad o la familiaridad con el producto (a base de utilizarlo repetidamente) sustituya la estricta observancia de las normas de seguridad del producto en cuestión. El MAL USO o la no observancia de las normas de seguridad expuestas en este manual de instrucciones pueden ocasionar graves daños corporales.

INSTRUCCIONES DE SEGURIDAD IMPORTANTES

ENC007-8

PARA EL CARTUCHO DE LA BATERÍA

1. Antes de utilizar el cartucho de la batería, lea todas las instrucciones y referencias de precaución que se encuentran en (1) el cargador de baterías, (2) la batería y (3) el producto que utiliza la batería.
2. No desmonte el cartucho de la batería.
3. Si el tiempo de funcionamiento es excesivamente corto, deje de utilizar la herramienta de inmediato. De lo contrario, existe el riesgo de sobrecalentamiento, quemaduras e incluso explosión.
4. Si se produce contacto ocular con electrolito, enjuáguese los ojos con agua limpia y acuda de urgencia al médico. Corre el riesgo de perder la visión.
5. No cortocircuite el cartucho de la batería:
 - (1) No toque los terminales con material conductor.
 - (2) Evite guardar el cartucho de la batería en un recipiente con otros objetos metálicos, como clavos, monedas, etc.
 - (3) No exponga el cartucho de la batería al agua o a la lluvia.

Un cortocircuito puede provocar un elevado flujo de corriente, sobrecalentamiento, quemaduras o incluso una avería.

6. No almacene la herramienta ni el cartucho de la batería en lugares donde la temperatura supere los 50°C (122°F).
7. No queme el cartucho de la batería aunque esté gravemente dañado o completamente gastado. El cartucho de la batería puede explotar si entra en contacto con fuego.

GUARDE ESTAS INSTRUCCIONES.

Consejos para conseguir una mayor duración de la batería

1. Cargue la batería antes de que se descargue por completo.
Cuando observe que la herramienta tiene menos potencia, deje de utilizarla y cargue el cartucho de la batería.
2. No recargue nunca un cartucho de batería completamente cargado.
La sobrecarga acorta la vida útil de la batería.
3. Cargue el cartucho de la batería a una temperatura ambiente que oscile entre 10°C y 40°C (50°F - 104°F). Antes de cargar un cartucho de batería caliente, deje que se enfríe.
4. Cargue la batería una vez cada seis meses si no la utiliza durante un período de tiempo prolongado.

DESCRIPCIÓN DEL FUNCIONAMIENTO

PRECAUCIÓN:

- Antes de ajustar o de comprobar la herramienta, asegúrese siempre de que está apagada y de que la batería ha sido extraída.

Instalación o extracción del cartucho de la batería (Fig. 1)

⚠ PRECAUCIÓN:

- Apague siempre la herramienta antes de instalar o extraer el cartucho de la batería.
- Sujete la herramienta y el cartucho de la batería firmemente cuando instale o extraiga el cartucho de la batería. Si no sujeta la herramienta y el cartucho de la batería firmemente, pueden resbalar de sus manos y pueden producirse daños en la herramienta o el cartucho de la batería, así como lesiones personales.

Para quitar el cartucho de la batería, mantenga pulsado el botón de la parte frontal del cartucho y retírelo.

Para instalar el cartucho de la batería, alinee la lengüeta situada en el cartucho de la batería con la ranura del alojamiento e insértela. Insértelo completamente hasta que quede firmemente encajado con un clic. Si puede ver el indicador rojo de la zona superior del botón, significa que el cartucho no está encajado completamente.

⚠ PRECAUCIÓN:

- Instale siempre completamente el cartucho de la batería de forma que el indicador rojo quede oculto. De lo contrario, el cartucho puede desprenderse accidentalmente de la herramienta y causar lesiones al operario o a alguna persona que se encuentre cerca.
- No presione excesivamente el cartucho de la batería para instalarlo. Si el cartucho no entra con suavidad, significa que no lo está instalando correctamente.

Sistema de protección de la batería

La herramienta está equipada con un sistema de protección de la batería. Este sistema corta automáticamente la alimentación al motor para ampliar la duración de la batería.

El funcionamiento de la herramienta se detendrá automáticamente si la herramienta y/o la batería están sometidas a las siguientes condiciones:

- **Sobrecarga:**
La herramienta se utiliza de una forma que hace que consuma una cantidad anómalamente alta de corriente.
En ese caso, apague la herramienta y detenga la aplicación que provocaba que la herramienta se sobrecargara. A continuación, encienda la herramienta para reanudar las operaciones.
Si la herramienta no consigue ponerse en marcha, la batería se ha sobrecalentado. En tal caso, deje que la batería se enfríe antes de volver a encender la herramienta.
- **Tensión de la batería baja:**
La capacidad restante de la batería es demasiado baja y la herramienta no funcionará. En ese caso, extraiga y recargue la batería.

NOTA:

La protección contra el sobrecalentamiento solamente funciona con un cartucho de batería que tenga una marca de estrella. (Fig. 2)

Accionamiento del interruptor (Fig. 3)

PRECAUCIÓN:

- Antes de insertar el cartucho de la batería en la herramienta, asegúrese siempre de que la palanca del interruptor funcione como es debido y que vuelva a la posición "OFF" (apagado) al ejercer presión sobre la parte posterior de la palanca del interruptor.
- El interruptor se puede bloquear en la posición "ON" para aumentar la comodidad del operario durante el uso prolongado. Tenga cuidado cuando bloquee la herramienta en la posición "OFF" (Apagado) y sujete la herramienta firmemente.

Para poner la herramienta en marcha, deslice la palanca del interruptor hasta la posición "I (Encendido)". Para un uso continuo, presione la parte delantera de la palanca del interruptor para bloquearla.

Para detener la herramienta, presione la parte posterior de la palanca del interruptor y, a continuación, deslícela hacia la posición "O (Apagado)".

Luz indicadora multifunción (Fig. 4)

Las luces indicadoras se encuentran en dos posiciones.

- **Indicación de sustitución del cartucho de la batería**
 - Cuando la carga de la batería casi se haya agotado durante el uso, se encenderá la lámpara roja y la herramienta se detendrá inmediatamente. Sustituya la batería con una batería totalmente cargada cuando se encienda la lámpara roja.
- **Función de prevención de puesta en marcha accidental**
 - Aunque el cartucho de la batería se inserte en la herramienta con el interruptor deslizante en la posición "I (Encendido)", la herramienta no se pone en marcha. En ese momento, la luz parpadea

lentamente, lo que indica que se ha activado la función de prevención de puesta en marcha accidental.

- Para poner en marcha la herramienta, primero debe deslizar el interruptor deslizante hasta la posición "O (Apagado)" y después debe deslizarlo hasta la posición "I (Encendido)".

MONTAJE

PRECAUCIÓN:

- Asegúrese siempre de apagar la herramienta y extraer el cartucho de la batería antes de intentar realizar cualquier tipo de operación en la herramienta.

Ajuste de la holgura de la cuchilla

Para DJS160 y DJS161 solamente

Ajuste la holgura entre la cuchilla lateral y la cuchilla central de acuerdo con el grosor de la pieza de trabajo.

(Fig. 5)

Primero utilice una llave hexagonal para aflojar el tornillo.

(Fig. 6)

A continuación, use la llave hexagonal para ajustar la holgura apretando o aflojando el perno. Puede haber una ligera diferencia entre la holgura de ambos lados de la cuchilla central.

Compruebe la holgura más pequeña con el calibre de espesores y ajústela.

Cuando use el calibre de espesores para ajustar la holgura de la cuchilla, consulte la tabla.

Espesor de la pieza de trabajo (mm)	Marca del calibre de espesores
Menos de 0,8	0,5
0,8 - 1,3	1,0
Más de 1,3	1,5

006428

Tras ajustar la holgura, apriete el tornillo firmemente.

Almacenamiento de la llave hexagonal (Fig. 7)

Almacene la llave hexagonal tal y como se muestra en la figura cuando no la use.

ACCIONAMIENTO

Lubricación (Fig. 8)

Antes de utilizar la herramienta, lubrique el punto de contacto de la cuchilla central y el pasador. Para mantener un buen rendimiento de corte, use también un lubricante de corte periódicamente durante el uso.

MANEJO (Fig. 9)

Encienda la herramienta y coloque los extremos delanteros de las cuchillas laterales en la pieza de trabajo. Ahora, sólo tiene que mover la herramienta hacia adelante manteniendo alineadas las cuchillas laterales con la superficie de la pieza de trabajo. (Fig. 10)

PRECAUCIÓN:

- Cuando corte una parte pequeña de la pieza de trabajo, puede tener dificultades para completar el final

del corte. En ese caso, vuelva a intentar el corte, tirando ligeramente hacia atrás de la pieza de trabajo.

Para DJS100 y DJS101

Material	Espesor de corte (mm)	Duración de las cuchillas (m)
Plancha de acero dulce (SPCC)	1,0	120
Plancha de acero inoxidable (SUS304)	0,7	50

010739

Para conservar la SEGURIDAD y la FIABILIDAD del producto, los trabajos de reparación y otros trabajos de mantenimiento y ajuste deberán ser realizados en centros de servicio autorizados de Makita, utilizando siempre repuestos Makita.

ACCESORIOS OPCIONALES

⚠ PRECAUCIÓN:

- Se recomienda el uso de estos accesorios o complementos con la herramienta Makita especificada en este manual. El uso de otros accesorios o complementos puede conllevar el riesgo de ocasionar daños corporales. Utilice los accesorios o complementos solamente para su fin establecido.

Si necesita cualquier ayuda para obtener más información relativa a estos accesorios, pregunte a su centro de servicio Makita local.

- Calibre de espesores
- Cuchilla central
- Cuchilla lateral derecha (R)
- Cuchilla lateral izquierda (L)
- Llave hexagonal
- Batería y cargador originales de Makita

NOTA:

- Algunos elementos de la lista se pueden incluir en el paquete de la herramienta como accesorios estándar. Pueden ser diferentes de un país a otro.

Ruido ENG905-1

Niveles típicos de ruido ponderado A determinados conforme a EN60745:

Modelo DJS100, DJS101, DJS161

Nivel de presión de sonido (L_{pA}): 71 dB (A)

Incertidumbre (K): 3 dB (A)

El nivel de ruido durante el trabajo puede superar los 80 dB (A).

Modelo DJS160

Nivel de presión de sonido (L_{pA}): 74 dB (A)

Incertidumbre (K): 3 dB (A)

El nivel de ruido durante el trabajo puede superar los 80 dB (A).

Utilice protección para los oídos.

Vibración ENG900-1

Valor total de la vibración (suma de vectores triaxiales) determinado según el estándar EN60745:

Modelo DJS100

Modo de trabajo: corte de metal laminado

Emisión de vibraciones (a_{hv}): 12,5 m/s²

Incertidumbre (K): 1,5 m/s²

MANTENIMIENTO

PRECAUCIÓN:

- Asegúrese de apagar siempre la herramienta y extraer el cartucho de la batería antes de intentar realizar cualquier trabajo de inspección o mantenimiento en ella.

AVISO:

- Nunca utilice gasolina, benceno, disolvente, alcohol o un producto similar. Se puede provocar una decoloración, una deformación o grietas.

La herramienta y los orificios de ventilación deben mantenerse siempre limpios. Limpie los orificios de ventilación periódicamente o siempre que perciba cualquier obstrucción.

Reemplazo de las escobillas de carbón (Fig. 11)

Extraiga y compruebe las escobillas de carbón regularmente. Cámbielas cuando el desgaste alcance la marca de límite. Mantenga las escobillas de carbón limpias y de forma que entren libremente en los portaescobillas. Ambas escobillas de carbón deberán ser sustituidas al mismo tiempo. Utilice únicamente escobillas de carbón idénticas.

Inserte el extremo superior del destornillador de punta plana en la muesca de la herramienta y extraiga la cubierta de la tapa del portaherramientas tirando hacia arriba de ella. (Fig. 12)

Utilice un destornillador para extraer las tapas de los portaescobillas. Saque las escobillas de carbón desgastadas, introduzca las nuevas y cierre las tapas de los portaescobillas. (Fig. 13)

Vuelva a colocar la tapa del portaherramientas en la herramienta.

Sustitución de las cuchillas

La vida útil de las cuchillas varía dependiendo de la pieza de trabajo que se va a cortar. En las siguientes tablas de referencia se indica la vida útil aproximada de las cuchillas.

Cuando las cuchillas se desafilan, consulte con los centros de servicio autorizado de Makita para sustituir las cuchillas.

Para DJS160 y DJS161

Material	Espesor de corte (mm)	Duración de las cuchillas (m)
Plancha de acero dulce (SPCC)	1,6	200
Plancha de acero inoxidable (SUS304)	1,2	150
Plancha de aluminio (A-5052)	2,5	400

010094

Modelo DJS101, DJS161

Modo de trabajo: corte de metal laminado

Emisión de vibraciones (a_h): 13,0 m/s²

Incertidumbre (K): 1,5 m/s²

Modelo DJS160

Modo de trabajo: corte de metal laminado

Emisión de vibraciones (a_h): 12,0 m/s²

Incertidumbre (K): 1,5 m/s²

ENG901-1

- El valor de emisión de vibraciones se ha medido de acuerdo con el método de prueba estándar y se puede utilizar para comparar herramientas.
- El valor de emisión de vibraciones declarado también se puede usar en una evaluación preliminar de la exposición.

ADVERTENCIA:

- La emisión de vibraciones durante el uso de la herramienta eléctrica puede diferir del valor de emisiones declarado, dependiendo de las formas en que se utiliza la herramienta.
- Asegúrese de identificar las mediciones correctas para proteger al operario, que se basan en una estimación de la exposición en condiciones de uso reales (teniendo en cuenta todas las partes del ciclo de operaciones, como los momentos en los que la herramienta está apagada y cuando funciona al ralentí además del tiempo en que está activado el interruptor).

Sólo para países europeos

ENH101-16

Declaración de conformidad de la CE

Nosotros, Makita Corporation, en calidad de fabricante responsable, declaramos que las siguientes máquinas Makita:

Designación de la máquina:

Cizalla inalámbrica para metal

Nº de modelo/ Tipo: DJS100, DJS101, DJS160, DJS161

son de producción serie y

Cumplen con las siguientes Directivas europeas:

2006/42/CE

Y se han fabricado de acuerdo con los siguientes

estándares o documentos estandarizados:

EN60745

La documentación técnica la conserva:

Makita International Europe Ltd.

Technical Department,

Michigan Drive, Tongwell,

Milton Keynes, Bucks MK15 8JD, Inglaterra

31. 7. 2009



Tomoyasu Kato

Director

Makita Corporation

3-11-8, Sumiyoshi-cho,

Anjo, Aichi, 446-8502, JAPAN

PORTUGUÊS (Instruções de origem)

Descrição geral

- | | | |
|----------------------------|-----------------------------------|----------------------------|
| 1. Botão | 8. Parafuso | 14. Pino |
| 2. Indicador vermelho | 9. Lâmina central | 15. Marca limite |
| 3. Bateria | 10. Manómetro de espessura | 16. Tampa do porta-escovas |
| 4. Marca de estrela | 11. Lâmina lateral | 17. Entalhe |
| 5. Alavanca do interruptor | 12. Parafuso de cabeça cilíndrica | 18. Chave de parafusos |
| 6. Luz indicadora | sextavado | 19. Tampa do porta-escovas |
| 7. Chave sextavada | 13. Fornecimento de óleo | |

ESPECIFICAÇÕES

Modelo		DJS160	DJS161	DJS100	DJS101
Capacidades máximas de corte	Aço até 400 N/mm ²	1,6 mm (16 ga.)		1,0 mm (20 ga.)	
	Aço até 600 N/mm ²	1,2 mm (18 ga.)		0,7 mm (23 ga.)	
	Alumínio até 200 N/mm ²	2,5 mm (13 ga.)		2,5 mm (12 ga.)	
Raio mínimo de corte		250 mm		30 mm	
Cortes por minuto (min ⁻¹)		4.300		4.300	
Comprimento total		362 mm		364 mm	
Peso líquido		1,9 kg	2,0 kg	1,9 kg	2,0 kg
Voltagem nominal		D.C. 14,4V	D.C. 18V	D.C. 14,4V	D.C. 18V

- Devido à pesquisa e desenvolvimento constantes, estas especificações estão sujeitas a alteração sem aviso prévio.
- As especificações e o cartucho da bateria podem ser diferentes consoante o país.
- Peso, com a bateria, de acordo com o procedimento EPTA de 01/2003

Símbolos

END004-6

Descrição dos símbolos utilizados no equipamento.
Certifique-se de que compreende o seu significado, antes da utilização.



... Ler o manual de instruções.



Apenas para países da UE
Não deite equipamentos eléctricos ou a bateria no lixo doméstico!
De acordo com as directivas europeias sobre ferramentas eléctricas e electrónicas usadas e baterias, acumuladores e baterias usadas e a sua aplicação para as leis nacionais, as ferramentas eléctricas, as baterias e conjuntos usados devem ser recolhidos em separado e encaminhados a uma instalação de reciclagem dos materiais ecológicos.

Utilização prevista

ENE037-1

A ferramenta destina-se a cortar chapa em aço e chapa em aço inoxidável.

Avisos gerais de segurança para ferramentas eléctricas

GEA010-1

AVISO Leia todos os avisos de segurança e todas as instruções. O não cumprimento dos avisos e instruções pode resultar na ocorrência de choques eléctricos, incêndios e/ou ferimentos graves.

Guarde todos os avisos e instruções para referência futura.

AVISOS DE SEGURANÇA PARA O CISALHADOR SEM FIOS

GEB067-1

1. **Segure bem na ferramenta.**
2. **Fixe bem a peça de trabalho.**
3. **Afaste as mãos das peças em movimento.**
4. **As extremidades e os fragmentos da peça de trabalho são afiados. Use luvas. É também recomendado que use calçado com sola grossa para prevenir ferimentos.**
5. **Não coloque a ferramenta nos fragmentos da peça de trabalho. Tal pode causar danos na ferramenta.**
6. **Não abandone a ferramenta a funcionar. Ponha-a a funcionar apenas quando estiver a segurá-la.**
7. **Procure uma posição em pé estável e firme. Se utilizar a ferramenta em locais altos, verifique se não há ninguém por baixo.**
8. **Não toque numa lâmina ou no material em que tiver estado a trabalhar logo após a operação porque podem estar demasiado quentes.**
9. **Evite cortar fios eléctricos. Pode causar um acidente sério através de choque eléctrico.**

GUARDE ESTAS INSTRUÇÕES.

AVISO:

NÃO deixe que o conforto ou a familiaridade com o produto (adquirida de uma utilização frequente) substitua o respeito total pelas regras de segurança para utilização do produto. A UTILIZAÇÃO INCORRECTA ou o não cumprimento das regras de

segurança fornecidas neste manual de instruções podem provocar ferimentos graves.

INSTRUÇÕES DE SEGURANÇA IMPORTANTES

ENC007-8

RELATIVAS À BATERIA

1. Antes de utilizar a bateria, leia as instruções e chamadas de atenção de: (1) o carregador da bateria, (2) a bateria e (3) o produto que utiliza a bateria.
2. Não desmonte a bateria.
3. Se o tempo de utilização com a bateria se tornar demasiado curto, deve parar imediatamente. Se continuar, pode causar sobreaquecimento, incêndio e mesmo explosão.
4. Se o electrólito entrar em contacto com os olhos, enxágue-os com água limpa e consulte imediatamente um médico. Os riscos incluem perda de visão.
5. Não provoque um curto-circuito na bateria:
 - (1) Não deixe que quaisquer materiais condutores entrem em contacto com os terminais da bateria.
 - (2) Evite guardar a bateria juntamente com outros objectos de metal como pregos, moedas, etc.
 - (3) Não exponha a bateria a água ou chuva. Um curto-circuito na bateria pode criar uma grande carga eléctrica, sobreaquecimento, fogo e uma quebra da corrente.
6. Não guarde a ferramenta e a bateria em locais onde a temperatura possa atingir ou exceder 50°C (122°F).
7. Não incinere a bateria, nem mesmo se esta estiver irremediavelmente danificada ou completamente gasta. Pode explodir e causar um incêndio.
8. Não a deixe cair e evite o choque com outros objectos.
9. Não utilize uma bateria danificada.
10. Siga os regulamentos locais relacionados com a eliminação da bateria.

GUARDE ESTAS INSTRUÇÕES.

Sugestões para o máximo de tempo de vida da bateria

1. Não espere que a bateria se gaste completamente para voltar a carregá-la.
Pare a ferramenta e carregue a bateria sempre que detectar um baixo nível de energia.
2. Nunca volte a carregar uma bateria já completamente carregada.
O carregamento excessivo diminui o tempo de vida das baterias.
3. Carregue a bateria em locais onde a temperatura se situe entre 10°C e 40°C (50°F - 104°F). Se a bateria estiver quente, deixe-a arrefecer antes de iniciar o carregamento.
4. Carregue a bateria uma vez a cada seis meses se não a utilizar durante um longo período.

DESCRIÇÃO DO FUNCIONAMENTO

PRECAUÇÃO:

- Certifique-se sempre de que a ferramenta está desligada e que a bateria foi removida antes de proceder a ajustes ou testar acessórios.

Inserir ou retirar a bateria (Fig. 1)

⚠ PRECAUÇÃO:

- Desligue sempre a ferramenta antes de instalar ou retirar a bateria.
- **Segure bem a ferramenta e a bateria quando instalar ou retirar a bateria.** Se não segurar bem a ferramenta e a bateria, pode fazer com que caiam das mãos e provoquem danos na ferramenta e na bateria e ferimentos pessoais.

Para retirar a bateria, mantenha premido o botão na frente da bateria e puxe.

Para colocar a bateria, alinhe a respectiva saliência com a calha do compartimento e encaixe-a suavemente. Insira-a completamente até fixar em posição com um clique. Se ainda estiver visível o indicador vermelho na parte superior do botão, não estará bem encaixado.

⚠ PRECAUÇÃO:

- Instale sempre a bateria completamente, até deixar de ver o indicador vermelho. Caso contrário, pode cair da ferramenta e causar ferimentos em si, ou em alguém que esteja perto de si.
- Não instale a bateria forçosamente. Se não encaixar facilmente é porque não está correctamente posicionada.

Sistema de protecção da bateria

A ferramenta está equipada com um sistema de protecção da bateria. Este sistema corta automaticamente a alimentação para prolongar a vida útil da bateria.

A ferramenta pára automaticamente durante o funcionamento quando a ferramenta e/ou bateria são colocadas numa das condições seguintes:

- Sobrecarregada:
A ferramenta é utilizada de tal forma que atrai uma corrente involuntariamente alta.
Nesta situação, desligue a ferramenta e pare a aplicação que causou a sobrecarga. De seguida, ligue a ferramenta para reiniciar.
Se a ferramenta não ligar, a bateria está sobreaquecida. Nesta situação, deixe a bateria arrefecer antes de voltar a ligar a ferramenta.
- Tensão baixa da bateria:
A carga restante da bateria é demasiado baixa e a ferramenta não funciona. Nesta situação, retire e recarregue a bateria.

NOTA:

A protecção contra o sobreaquecimento apenas funciona com uma bateria com uma marca de estrela. (Fig. 2)

Acção do interruptor (Fig. 3)

PRECAUÇÃO:

- Antes de inserir a bateria na ferramenta, verifique sempre se a alavanca de interruptor está a funcionar

correctamente e se volta à posição “OFF” (desligada) quando é premida a parte de trás da alavanca de interruptor.

- O interruptor pode ser bloqueado na posição “ON” para um maior conforto do operador durante uma utilização prolongada. Tenha cuidado quando bloquear a ferramenta na posição “OFF” e segure bem a ferramenta.

Para ligar a ferramenta, mova a alavanca de interruptor para a posição “I” (ligada). Para uma utilização contínua, prima a parte da frente da alavanca de interruptor para o bloquear.

Para desligar a ferramenta, prima a parte de trás da alavanca de interruptor, depois mova-o para a posição “O” (desligada).

Luz indicadora com várias funções (Fig. 4)

As luzes indicadoras estão localizadas em duas posições.

- Sinal de substituição da bateria

- Quando a carga da bateria está quase esgotada durante o funcionamento, a luz vermelha acende-se e a ferramenta pára imediatamente. Substitua a bateria por uma completamente carregada quando a luz vermelha se acende.

- Função preventiva de arranque acidental

- Mesmo que a bateria esteja colocada na ferramenta com o interruptor deslizante na posição “I” (ligada), a ferramenta não liga. Nesta altura, a luz pisca lentamente, o que é indicativo de que a função preventiva de arranque acidental se encontra activada.
- Para ligar a ferramenta, mova o interruptor deslizante para a posição “O” (desligada) uma vez e, depois, para a posição “I” (ligada).

MONTAGEM

PRECAUÇÃO:

- Certifique-se sempre de que a ferramenta está desligada e a bateria removida, antes de efectuar qualquer operação na ferramenta.

Ajustar a folga da lâmina

Apenas para o DJS160 e DJS161

Ajuste a folga entre a lâmina lateral e a lâmina central de acordo com a espessura da peça de trabalho. (Fig. 5)

Utilize primeiro uma chave sextavada para desapertar o parafuso. (Fig. 6)

De seguida, utilize a chave sextavada para ajustar a folga apertando ou desapertando o parafuso. Pode haver uma ligeira diferença entre a folga de ambos os lados da lâmina central.

Verifique a folga mais pequena com o manómetro de espessura e ajuste-a.

Quando utilizar o manómetro de espessura para ajustar a folga da lâmina, consulte a tabela.

Espessura da peça de trabalho (mm)	Marca no manómetro de espessura
Inferior a 0,8	0,5
0,8 - 1,3	1,0
Superior a 1,3	1,5

006428

Após ajustar a folga, aperte bem o parafuso.

Armazenar a chave sextavada (Fig. 7)

Armazene a chave sextavada como mostrado na imagem quando não a utilizar.

FUNCIONAMENTO

Lubrificação (Fig. 8)

Antes do funcionamento, lubrifique o ponto de contacto da lâmina central com o pino. Para manter um bom desempenho de corte, utilize também um lubrificante de corte periodicamente durante o funcionamento.

FUNCIONAMENTO (Fig. 9)

Ligue a ferramenta e coloque as extremidades dianteiras das lâminas laterais na peça de trabalho. Agora mova simplesmente a ferramenta para a frente mantendo as lâminas laterais niveladas com a superfície da peça de trabalho. (Fig. 10)

PRECAUÇÃO:

- Quando cortar uma pequena porção da peça de trabalho, pode ter dificuldade em concluir o corte. Nesse caso, tente cortar novamente, recuando ligeiramente a peça de trabalho.

MANUTENÇÃO

PRECAUÇÃO:

- Certifique-se sempre de que a ferramenta está desligada e a bateria removida antes de efectuar operações de inspecção ou de manutenção.

AVISO:

- Nunca utilize gasolina, benzina, diluente, álcool ou semelhante. Podem formar-se descolorações, deformações ou fissuras.

A ferramenta e as respectivas aberturas de ventilação devem ser mantidas limpas. Limpe regularmente as aberturas de ventilação da ferramenta ou sempre que estas fiquem obstruídas.

Substituir as escovas de carvão (Fig. 11)

Remova e verifique regularmente as escovas de carvão. Substitua-as quando o desgaste atingir a marca limite. Mantenha-as limpas para poderem deslizar no porta-escovas. Substitua as duas ao mesmo tempo. Utilize unicamente escovas de carvão idênticas.

Insira a ponta de uma chave de parafusos fendada no entalhe da ferramenta e retire a cobertura da tampa do porta-escovas, levantando-a. (Fig. 12)

Utilize uma chave de parafusos para remover as tampas do porta-escovas. Retire as escovas usadas, coloque umas novas e fixe as tampas do porta-escovas. (Fig. 13) Volte a instalar a cobertura da tampa do porta-escovas na ferramenta.

Substituir lâminas

A vida útil das lâminas varia dependendo da peça de trabalho a cortar. As tabelas de referência seguintes indicam a vida útil aproximada das lâminas.

Quando as lâminas ficarem opacas, contacte os centros de assistência Makita autorizados para substituírem as lâminas.

Para o DJS160 e DJS161

Material	Espessura de corte (mm)	Vida útil das lâminas (m)
Chapa de aço macio (SPCC)	1,6	200
Chapa de aço inoxidável (SUS304)	1,2	150
Chapa de alumínio (A-5052)	2,5	400

010094

Para o DJS100 e DJS101

Material	Espessura de corte (mm)	Vida útil das lâminas (m)
Chapa de aço macio (SPCC)	1,0	120
Chapa de aço inoxidável (SUS304)	0,7	50

010739

Para manter os níveis de SEGURANÇA e FIABILIDADE definidos para este produto, as reparações e os procedimentos de manutenção ou ajustes devem ser executados por centros de assistência Makita autorizados, utilizando sempre peças de substituição Makita.

ACESSÓRIOS OPCIONAIS

⚠️ PRECAUÇÃO:

- Os seguintes acessórios ou extensões são os recomendados para utilizar com a ferramenta Makita especificada neste manual. A utilização de quaisquer outros acessórios poderá representar um risco de ferimento para as pessoas. Apenas utilize o acessório para o fim indicado.

Se precisar de informações adicionais relativas aos acessórios, contacte o centro local de assistência Makita.

- Manómetro de espessura
- Lâmina central
- Lâmina lateral D
- Lâmina lateral E
- Chave sextavada
- Bateria e carregador genuínos da Makita

NOTA:

- Alguns itens na lista podem estar incluídos no pacote de ferramentas como acessórios de série. Podem diferir de país para país.

Ruído

ENG905-1

Os níveis acústicos ponderados A típicos foram determinados segundo a EN60745:

Modelo DJS100, DJS101, DJS161

Nível de pressão sonora (L_{pA}): 71 dB (A)

Incerteza (K): 3 dB (A)

O nível de ruído quando em funcionamento pode exceder os 80 dB (A).

Modelo DJS160

Nível de pressão sonora (L_{pA}): 74 dB (A)

Incerteza (K): 3 dB (A)

O nível de ruído quando em funcionamento pode exceder os 80 dB (A).

Use protecção para os ouvidos.

Vibração

ENG900-1

O valor total da vibração (soma triaxial de vectores) foi determinado segundo a EN60745:

Modelo DJS100

Modo de trabalho: cortar chapa metálica

Emissão de vibração (a_{h1}): 12,5 m/s²

Incerteza (K): 1,5 m/s²

Modelo DJS101, DJS161

Modo de trabalho: cortar chapa metálica

Emissão de vibração (a_{h1}): 13,0 m/s²

Incerteza (K): 1,5 m/s²

Modelo DJS160

Modo de trabalho: cortar chapa metálica

Emissão de vibração (a_{h1}): 12,0 m/s²

Incerteza (K): 1,5 m/s²

ENG901-1

- O valor da emissão de vibração declarado foi medido de acordo com o método de teste padrão e pode ser utilizado para comparar uma ferramenta com outra.
- O valor da emissão de vibração declarado pode também ser utilizado numa avaliação preliminar de exposição.

⚠️ AVISO:

- A emissão de vibração durante a utilização real da ferramenta eléctrica pode ser diferente do valor de emissão declarado, dependendo da forma como a ferramenta é utilizada.
- Certifique-se de que identifica medidas de segurança, para proteger o operador, que são baseadas numa estimativa de exposição nas condições reais de utilização (tendo em conta todas as partes do ciclo de funcionamento, como as vezes que a ferramenta é desligada e quando está a trabalhar ao ralenti, além do tempo de utilização).

Apenas para os países europeus

ENH101-16

Declaração de conformidade CE

A Makita Corporation, na qualidade do fabricante responsável, declara que a(s) máquina(s) Makita seguinte(s):

Designação da máquina:

Tesoura faca a bateria

N.º de modelo/Tipo: DJS100, DJS101, DJS160, DJS161

são produzidas em série e

estão em conformidade com as Directivas Europeias seguintes:

2006/42/EC

E são fabricadas de acordo com as normas ou os documentos padronizados seguintes:

EN60745

A documentação técnica é mantida por:

Makita International Europe Ltd.

Technical Department,

Michigan Drive, Tongwell,

Milton Keynes, Bucks MK15 8JD, Inglaterra

31. 7. 2009



Tomoyasu Kato

Director

Makita Corporation

3-11-8, Sumiyoshi-cho,

Anjo, Aichi, 446-8502, JAPAN

DANSK (Originalvejledning)

Forklaring til generel oversigt

- | | | |
|--------------------|--------------------------|---------------------|
| 1. Knap | 8. Skrue | 15. Slidgrænse |
| 2. Rød indikator | 9. Centerkniv | 16. Dæklade |
| 3. Batteripakke | 10. Tykkelseslære | 17. Indhak |
| 4. Stjernemærkning | 11. Sidekniv | 18. Skruetrækker |
| 5. Kontakt | 12. Sekskantet hovedbolt | 19. Kulholderdæksel |
| 6. Indikatorlampe | 13. Olietilførsel | |
| 7. Unbrakonøgle | 14. Stift | |

SPECIFIKATIONER

Model		DJS160	DJS161	DJS100	DJS101
Maksimal skærekapacitet	Stål op til 400 N/mm ²	1,6 mm (16 ga.)		1,0 mm (20 ga.)	
	Stål op til 600 N/mm ²	1,2 mm (18 ga.)		0,7 mm (23 ga.)	
	Aluminium op til 200 N/mm ²	2,5 mm (13 ga.)		2,5 mm (12 ga.)	
Minimum skæreradius		250 mm		30 mm	
Klip pr. minut (min ⁻¹)		4.300		4.300	
Længde i alt		362 mm		364 mm	
Nettovægt		1,9 kg	2,0 kg	1,9 kg	2,0 kg
Nominel spænding		14,4V DC	18 V DC	14,4V DC	18 V DC

- På grund af vores løbende forsknings- og udviklingsprogram kan specifikationerne heri ændres uden forudgående varsel.
- Specifikationerne og batteripakken kan variere fra land til land.
- Vægt, inklusive batteripakken, i henhold til EPTA-Procedure 01/2003

Symboler

END004-6

Følgende viser de symboler, der benyttes til udstyret. Vær sikker på, at du forstår deres betydning, før du bruger værktøjet.



... Læs brugsanvisningen.



Kun for EU-lande

Elektrisk udstyr eller batteripakke må ikke bortskaffes sammen med almindeligt affald!

I henhold til det europæiske direktiv om bortskaffelse af elektriske og elektroniske produkter og om batterier og akkumulatører og bortskaffelse af batterier og akkumulatører og deres implementering under gældende national lovgivning skal brugt elektrisk udstyr, batterier og batteripakke(r), der har udtjent deres levetid, indsamles separat og returneres til miljøgodkendt genindvinding.

Tilsløbet brug

ENE037-1

Værktøjet er beregnet til skæring af stålplader og rustfri stålplader.

Generelle sikkerhedsadvarsler for maskiner

GEA010-1

ADVARSEL Læs alle sikkerhedsadvarsler og alle instruktioner. Hvis De ikke følger alle advarsler og

instruktioner, kan det medføre elektrisk stød, brand og/eller alvorlig personskade.

Gem alle advarsler og instruktioner til senere reference.

SIKKERHEDSADVARSLER FOR BATTERIDREVEN PLADESAKS

GEB067-1

1. **Hold godt fast i værktøjet.**
2. **Spænd arbejdsemnet godt fast.**
3. **Hold hænderne på afstand af bevægelige dele.**
4. **Kanter og spåner fra arbejdsemnet er skarpe. Bær handsker. Det anbefales også, at du anvender sko med tykke såler for at undgå tilskadecomst.**
5. **Placer ikke værktøjet oven på spånerne fra arbejdsemnet. De kan forårsage skader på og problemer med værktøjet.**
6. **Gå ikke fra værktøjet, mens det kører. Lad kun værktøjet køre, mens du holder det i hænderne.**
7. **Sørg altid for at have et solidt fodfæste. Sørg for, at der ikke er nogen under dig, når du benytter værktøjet på højtliggende steder.**
8. **Rør ikke kniven eller arbejdsemnet umiddelbart efter brugen. De kan være meget varme og forårsage forbrændinger af huden.**
9. **Skær ikke i elektriske ledninger. Det kan forårsage alvorlige uheld pga. elektrisk stød.**

GEM DISSE INSTRUKTIONER.

ADVARSEL:

LAD IKKE tryghed eller kendskab til produktet (fra gentagen brug) føre til, at du ikke strengt overholder sikkerhedsreglerne for det gældende produkt.

MISBRUG eller manglende overholdelse af sikkerhedsreglerne i denne brugsanvisning kan medføre alvorlig personskade.

VIGTIGE SIKKERHEDSINSTRUKTIONER

ENC007-8

FOR BATTERIPAKKEN

1. Før brugen af batteripakken skal du læse alle instruktioner og advarsler på (1) batteriopladeren, (2) batteriet og (3) det produkt, som batteriet anvendes i.
2. Skil ikke batteripakken ad.
3. Hvis driftstiden bliver betydeligt kortere, skal du straks ophøre med brugen. Brug kan medføre risiko for overophedning, risiko for forbrændinger eller endog eksplosion.
4. Hvis du får elektrolyt i øjnene, skal du med det samme rense øjnene med rent vand og søge læge. Dette kan medføre tab af synet.
5. Kortslut ikke batteripakken:
 - (1) Undgå at røre ved terminalerne med ledende materiale.
 - (2) Undgå at opbevare batteripakken i en beholder med andre metalgenstande som f.eks. søm, mønter osv.
 - (3) Udsæt ikke batteripakken for vand eller regn. Hvis batteriet kortsluttes, kan det medføre voldsom strøm, overophedning, mulige forbrændinger og endog nedbrud.
6. Undgå at opbevare værktøjet og batteripakken på steder, hvor temperaturen kan komme op på eller overstige 50°C.
7. Sæt ikke ild til batteripakken, selvom den er alvorligt beskadiget eller helt udtjent. Batteripakken kan eksplodere ved brand.
8. Undgå at tabe eller slå på batteriet.
9. Undlad brug af et beskadiget batteri.
10. Følg de lokale bestemmelser med hensyn til bortskaffelse af batteri.

GEM DISSE INSTRUKTIONER.

Tips til, hvordan du forlænger batteriets levetid

1. Oplad batteripakken, før den bliver helt afladet. Ophør med at bruge værktøjet, og udskift batteripakken, hvis strømmen til værktøjet aftager.
2. Oplad aldrig en fuldt opladet batteripakke. Overopladning forkorter batteriets levetid.
3. Oplad batteripakken ved stuetemperatur på 10°C - 40°C. Lad batteripakken køle ned før den oplades, hvis den er varm.
4. Oplad batteripakken en gang hver sjette måned, hvis du ikke bruger det i lang tid.

FUNKTIONSBESKRIVELSE

FORSIGTIG:

- Sørg altid for, at værktøjet er slukket, og at batteripakken er taget ud, før du justerer værktøjet eller kontrollerer dets funktion.

Montering eller afmontering af batteripakken (Fig. 1)

⚠ FORSIGTIG:

- Sluk altid for værktøjet inden montering eller afmontering af batteripakken.
- **Hold godt fast i værktøjet og batteripakken, når du monterer eller afmonterer batteripakken.** Hvis maskinen og batteripakken ikke holdes ordentligt fast, kan de glide ud af hænderne og resultere i skader på maskinen og batteripakken samt personskade.

Afmonter batteripakken ved at holde ned på knappen foran på batteripakken og skubbe den af værktøjet. Ved montering af batteripakken justeres tungen på batteripakken med rillen i huset, hvorefter pakken skubbes på plads. Sæt den hele vejen ind, indtil den låses på plads med et lille klik. Hvis den røde indikator øverst på knappen er synlig, er batteripakken ikke låst helt fast.

⚠ FORSIGTIG:

- Sæt altid batteripakken helt ind, indtil den røde indikator ikke længere er synlig. Ellers kan den falde ud af værktøjet og skade dig eller andre personer i nærheden.
- Anvend ikke kræfter ved monteringen af batteripakken. Hvis den ikke glider let ind, er den ikke indsat korrekt.

Batteribeskyttelsessystem

Værktøjet er udstyret med et beskyttelsessystem. Dette system slukker automatisk for strømmen til motoren for at forlænge batterilevetiden.

Værktøjet stopper automatisk under anvendelsen, hvis værktøjet og/eller batteriet udsættes for en af de følgende situationer:

- **Overbelastning:**
Værktøjet anvendes på en sådan måde, at det får det til at bruge unormalt meget strøm. I denne situation skal du slukke for værktøjet og stoppe den anvendelse, som gjorde værktøjet overbelastet. Tænd derefter for værktøjet for at starte igen.
Hvis værktøjet ikke starter, er batteriet overbelastet. I denne situation skal du lade batteriet køle af, inden du tænder for værktøjet igen.
- **Lav batterispænding:**
Den resterende batterikapacitet er for lav, og værktøjet kan ikke køre. I denne situation skal du afmontere og oplade batteriet.

BEMÆRK:

Overophedningsbeskyttelsen fungerer kun med en batteripakke med en stjernemærkning. (Fig. 2)

Betjening af kontakt (Fig. 3)

FORSIGTIG:

- Før batteripakken sættes i værktøjet, skal du altid kontrollere, at kontakten reagerer korrekt og vender tilbage i stillingen "OFF", når der trykkes bag på kontakten.

- Kontakten kan låses i "ON"-positionen for at gøre det nemmere for brugeren ved længere tids brug af værktøjet. Vær forsigtig når du låser værktøjet i "OFF"-positionen og hold godt fast på værktøjet.

For at starte værktøjet skal du skubbe kontakten til stillingen "I (ON)". For kontinuerlig betjening skal du trykke foran på kontakten for at låse den fast.

Når du vil stoppe værktøjet, skal du trykke bag på kontakten og derefter trykke den mod stillingen "O (OFF)".

Indikatorlampe med multifunktion (Fig. 4)

Indikatorlamperne er placeret to steder.

- Signal for udskiftning af batteripakke

- Når strømmen på batteriet er ved at være opbrugt under arbejdet, lyser den røde lampe, og værktøjet stopper øjeblikkeligt. Udskift batteriet med et fuldt opladet batteri, når den røde lampe lyser.

- Funktion til forhindring af genstart ved et uheld

- Værktøjet starter ikke, hvis batteripakken indsættes i værktøjet med glidekontakten i stillingen "I (ON)". I så fald blinker lampen langsomt. Dette viser, at funktionen til forhindring af genstart ved et uheld er aktiveret.
- For at starte værktøjet skal du først skubbe glidekontakten til stillingen "O (OFF)" og derefter til stillingen "I (ON)".

MONTERING

FORSIGTIG:

- Sørg altid for, at værktøjet er slukket, og at batteripakken er taget ud, før du udfører nogen form for arbejde på værktøjet.

Justering af knivfrigang

Kun for DJS160 og DJS161

Juster frigangen mellem sidekniven og centerkniven i forhold til tykkelsen af arbejdsemnet. (Fig. 5)

Brug først en unbrakonøgle til at løsne skruen. (Fig. 6)

Brug derefter unbrakonøglen til at justere frigangen ved stramme eller løsne boltene. Der kan forekomme en lille forskel mellem frigangen på begge sider af centerkniven. Kontroller den mindre frigang med tykkelseslæren og juster derefter.

Når tykkelseslæren anvendes til at justere knivfrigangen, refereres til tabellen herunder.

Arbejdsemnets tykkelse (mm)	Mærke på tykkelseslæren
Mindre end 0,8	0,5
0,8 - 1,3	1,0
Mere end 1,3	1,5

006428

Efter justering af frigangen spændes skruen godt fast.

Opbevaring af unbrakonøgle (Fig. 7)

Opbevar unbrakonøglen som vist på figuren, når den ikke bruges.

BETJENING

Smøring (Fig. 8)

Inden brug smøres kontaktpunktet mellem centerkniven og stiften. For at opnå et godt snit skal der også anvendes en skærevæske af og til under brugen.

BETJENING (Fig. 9)

Tænd for værktøjet og anbring det forreste af sideknivene på arbejdsemnet. Før nu blot værktøjet fremad, idet sideknivene holdes i plan med arbejdsemnet. (Fig. 10)

FORSIGTIG:

- Når der kun skæres en lille del af arbejdsemnet, kan det være svært at fuldende slutningen på snittet. Prøv i så fald at skære igen, idet arbejdsemnet trækkes en smule bagud.

VEDLIGEHOLDELSE

FORSIGTIG:

- Sørg altid for, at værktøjet er slukket, og at batteripakken er taget ud, før du forsøger at udføre inspektion eller vedligeholdelse.

BEMÆRK:

- Brug aldrig benzin, benzen, fortynder, alkohol eller lignende. Det kan muligvis medføre misfarvning, deformation eller revner.

Værktøjet og ventilationsåbningerne skal holdes rene.

Rengør værktøjets ventilationsåbninger regelmæssigt, eller når åbningerne begynder at blive tilstoppede.

Udskiftning af kulbørsterne (Fig. 11)

Tag regelmæssigt kulbørsterne af, og efterse dem. Udskift dem, når de er nedslidte til slidgrænsen. Hold kulbørsterne rene og frie til at glide i holderne. Begge kulbørster skal udskiftes samtidig. Brug altid identiske kulbørster.

Sæt spidsen af skruetrækkeren med kærvspids ind i indhaket i værktøjet, og fjern dækpladen ved at løfte op i den. (Fig. 12)

Brug en skruetrækker til at fjerne kulholderdækslerne. Tag de udslidte kulbørster ud, monter de nye, og fastgør kulholderdækslerne. (Fig. 13)

Monter dækpladen til holderdækslet på værktøjet igen.

Udskiftning af knive

Knivenes levetid svinger afhængigt af det arbejdsemne, der skal skæres. Den følgende tabel angiver den omtrentlige levetid for knivene.

Når knivene bliver sløve, skal du kontakte et Makita servicecenter for at få knivene udskiftet.

For DJS160 og DJS161

Materiale	Skæretykkelse (mm)	Knivenes levetid (m)
Blød stålplade (SPCC)	1,6	200
Rustfri stålplade (SUS304)	1,2	150
Aluminiumplade (A-5052)	2,5	400

010094

For DJS100 og DJS101

Materiale	Skæretykkelse (mm)	Knivenes levetid (m)
Blød stålplade (SPCC)	1,0	120
Rustfri stålplade (SUS304)	0,7	50

010739

For at holde produktet SIKKERT og PÅLIDELIGT skal reparationer samt al anden vedligeholdelse eller justering udføres af autoriserede Makita-servicecentre, og der skal altid benyttes Makita-reservedele.

EKSTRAUDSTYR

⚠ FORSIGTIG:

- Dette tilbehør eller ekstraudstyr anbefales til brug med det Makita-værktøj, som er beskrevet i denne brugsanvisning. Brug af andet tilbehør eller ekstraudstyr kan forårsage personskade. Brug kun tilbehør eller ekstraudstyr til det formål, det er beregnet til.

Henvend dig til dit lokale Makita-servicecenter, hvis du har brug for hjælp eller yderligere oplysninger vedrørende tilbehøret.

- Tykkelseslære
- Centerkniv
- Sidekniv H
- Sidekniv V
- Unbrakonøgle
- Originalt batteri og oplader fra Makita

BEMÆRK:

- Visse dele på listen er muligvis indeholdt maskinindpakningen som standardtilbehør. De kan variere fra land til land.

Støj

ENG905-1

Det typiske A-vægtede støjniveau bestemt i overensstemmelse med EN60745:

Model DJS100, DJS101, DJS161

Lydtrykniveau (L_{pA}): 71 dB (A)

Usikkerhed (K): 3 dB (A)

Støjniveauet under arbejdet kan overstige 80 dB (A).

Model DJS160

Lydtrykniveau (L_{pA}): 74 dB (A)

Usikkerhed (K): 3 dB (A)

Støjniveauet under arbejdet kan overstige 80 dB (A).

Bær høreværn.

Vibration

ENG900-1

Den samlede vibrationsværdi (treaksial vektorsum) bestemt i overensstemmelse med EN60745:

Model DJS100

Arbejdstilstand: skæring i metalplader

Vibrationsemission (a_h): 12,5 m/s²

Usikkerhed (K): 1,5 m/s²

Model DJS101, DJS161

Arbejdstilstand: skæring i metalplader

Vibrationsemission (a_h): 13,0 m/s²

Usikkerhed (K): 1,5 m/s²

Model DJS160

Arbejdstilstand: skæring i metalplader

Vibrationsemission (a_h): 12,0 m/s²

Usikkerhed (K): 1,5 m/s²

ENG901-1

- Den opgivne vibrationsemissionsværdi er målt i overensstemmelse med standardtestmetoden og kan bruges til at sammenligne et værktøj med et andet.
- Den opgivne vibrationsemissionsværdi kan muligvis også bruges til en indledende eksponeringsvurdering.

⚠ ADVARSEL:

- Vibrationsemissionen under den faktiske brug af maskinen kan afvige fra den opgivne emissionsværdi afhængigt af den måde, maskinen anvendes på.
- Sørg for at bestemme sikkerhedsforanstaltninger for beskyttelse af operatøren, som er baseret på en eksponeringsvurdering for brug under faktiske forhold (hvor alle anvendelsescyklussens dele inddrages, som f.eks. antal gange maskinen slukkes, og når den kører i tomgang ud over triggertiden).

ENH101-16

Kun for lande i Europa

EF-overensstemmelseserklæring

Vi, Makita Corporation, erklærer som ansvarlig producent at følgende Makita-maskine(r):

Maskinens betegnelse:

Batteridreven pladesaks

Modelnummer/ type: DJS100, DJS101, DJS160, DJS161

er en produktionsserie og

Overholder følgende europæiske direktiver:

2006/42/EF

Og er produceret i overensstemmelse med følgende standarder eller standardiserede dokumenter:

EN60745

Den tekniske dokumentation findes hos:

Makita International Europe Ltd.

Technical Department,

Michigan Drive, Tongwell,

Milton Keynes, Bucks MK15 8JD, England

31. 7. 2009



Tomoyasu Kato

Direktør

Makita Corporation

3-11-8, Sumiyoshi-cho,

Anjo, Aichi, 446-8502, JAPAN

ΕΛΛΗΝΙΚΑ (Πρωτογενείς οδηγίες)

Γενική περιγραφή

- | | | |
|----------------------|-----------------------------------|--|
| 1. Κουμπί | 8. Βίδα | 15. Ένδειξη ορίου |
| 2. Κόκκινη ένδειξη | 9. Κεντρική λεπίδα | 16. Κάλυμμα υποδοχής για το καρβουνάκι |
| 3. Μπαταρία | 10. Μετρητής πάχους | 17. Εγκοπή |
| 4. Ένδειξη άστρου | 11. Πλαϊνή λεπίδα | 18. Κατσαβίδι |
| 5. Μοχλός διακόπτης | 12. Μπουλόνι εξάγ. κοίλης κεφαλής | 19. Καπάκι θήκης ψήκτρας |
| 6. Ενδεικτική λυχνία | 13. Παροχή λαδιού | |
| 7. Εξάγωνο άλεν | 14. Περόνη | |

ΠΡΟΔΙΑΓΡΑΦΕΣ

Μοντέλο		DJS160	DJS161	DJS100	DJS101
Μέγιστες ικανότητες κοπής	Ατσάλι έως και 400 N/mm ²	1,6 mm (16 ga.)		1,0 mm (20 ga.)	
	Ατσάλι έως και 600 N/mm ²	1,2 mm (18 ga.)		0,7 mm (23 ga.)	
	Αλουμίνιο έως και 200 N/mm ²	2,5 mm (13 ga.)		2,5 mm (12 ga.)	
Ελάχιστη ακτίνα κοπής		250 mm		30 mm	
Διαδρομές το λεπτό (min ⁻¹)		4.300		4.300	
Ολικό μήκος		362 mm		364 mm	
Καθαρό βάρος		1,9 κιλά	2,0 κιλά	1,9 κιλά	2,0 κιλά
Όνομαστική τιμή τάσης		D.C. 14,4V	D.C. 18V	D.C. 14,4V	D.C. 18V

- Λόγω του συνεχόμενου προγράμματος που εφαρμόζουμε για έρευνα και ανάπτυξη, τα τεχνικά χαρακτηριστικά στο παρόν έντυπο υπόκεινται σε αλλαγή χωρίς προειδοποίηση.
- Τα τεχνικά χαρακτηριστικά και η μπαταρία ενδέχεται να διαφέρουν από χώρα σε χώρα.
- Βάρος μαζί με την μπαταρία σύμφωνα με τη διαδικασία της ΕΡΤΑ 01/2003

Σύμβολα

END004-6

Παρακάτω παρουσιάζονται τα σύμβολα που χρησιμοποιούνται για τον εξοπλισμό. Βεβαιωθείτε ότι κατανοείτε τη σημασία τους πριν από τη χρήση.



... Διαβάστε το εγχειρίδιο οδηγιών.



Μόνο για τις χώρες της ΕΕ

Μην απορρίπτετε τον ηλεκτρικό εξοπλισμό ή την μπαταρία μαζί με τα οικιακά απορρίμματα!
Σύμφωνα με την Ευρωπαϊκή Οδηγία περί απορριμμάτων ηλεκτρικών, ηλεκτρονικών συσκευών, μπαταριών και συσσωρευτών και των απορριμμάτων μπαταριών και συσσωρευτών και την ενσωμάτωσή τους στην εθνική νομοθεσία, οι ηλεκτρικές συσκευές, οι μπαταρίες και οι κασέτες μπαταριών, των οποίων έχει παρέλθει ο χρόνος ωφέλιμης ζωής τους, πρέπει να συλλέγονται ξεχωριστά και να επιστρέφονται σε εγκαταστάσεις περιβαλλοντικής ανακύκλωσης.

Προοριζόμενη χρήση

ENE037-1

Το εργαλείο προορίζεται για την κοπή χαλύβδινων ελασμάτων και ανοξείδωτων χαλύβδινων ελασμάτων.

Γενικές Προειδοποιήσεις Ασφαλείας Του Ηλεκτρικού Εργαλείου

GEA010-1

⚠ ΠΡΟΕΙΔΟΠΟΙΗΣΗ Διαβάστε όλες τις προειδοποιήσεις ασφαλείας και όλες τις οδηγίες. Αν δεν ακολουθήσετε όλες τις προειδοποιήσεις και τις οδηγίες, υπάρχει κίνδυνος ηλεκτροπληξίας, πυρκαγιάς ή/και σοβαρού τραυματισμού.

Φυλάξτε όλες τις προειδοποιήσεις και τις οδηγίες για μελλοντική αναφορά.

ΠΡΟΕΙΔΟΠΟΙΗΣΕΙΣ ΑΣΦΑΛΕΙΑΣ ΨΑΛΙΔΙΟΥ ΜΠΑΤΑΡΙΑΣ

GEB067-1

1. Να κρατάτε το εργαλείο σταθερά.
2. Στερεώστε καλά το τεμάχιο εργασίας.
3. Μην πλησιάζετε τα χέρια σας σε κινούμενα μέρη.
4. Οι άκρες και τα θραύσματα του τεμαχίου εργασίας είναι αιχμηρά. Να φοράτε γάντια. Συνιστάται επίσης να φοράτε παπούτσια με χοντρούς πάτους για να αποφύγετε τους τραυματισμούς.
5. Μη βάζετε το εργαλείο πάνω στα θραύσματα του τεμαχίου εργασίας. Διαφορετικά μπορεί να προκληθεί βλάβη και δυσλειτουργία του εργαλείου.
6. Μην αφήνετε το εργαλείο σε λειτουργία. Το εργαλείο πρέπει να βρίσκεται σε λειτουργία μόνο όταν το κρατάτε.

7. Να βεβαιώνετε πάντοτε ότι στέκεστε σταθερά. Όταν χρησιμοποιείτε το εργαλείο σε υψηλές τοποθεσίες, να βεβαιώνετε ότι δεν βρίσκεται κανένας από κάτω.
8. Μην αγγίζετε την λεπίδα ή το τεμάχιο εργασίας αμέσως μετά τη λειτουργία του εργαλείου. Μπορεί να είναι εξαιρετικά θερμά και να προκληθεί έγκαυμα στο δέρμα σας.
9. Αποφύγετε την κοπή ηλεκτρικών καλωδίων. Μπορεί να προκαλέσει σοβαρό ατύχημα από ηλεκτροσόκ.

ΦΥΛΑΞΤΕ ΑΥΤΕΣ ΤΙΣ ΟΔΗΓΙΕΣ.

ΠΡΟΕΙΔΟΠΟΙΗΣΗ:

ΜΗΝ επιτρέψετε στη βολικότητα ή στην εξοικειωσή σας με το προϊόν (που αποκτήθηκε από επανειλημμένη χρήση) να αντικαταστήσει την αυστηρή προσήλωση στους κανόνες ασφαλείας του εν λόγω προϊόντος. Η ΛΑΝΘΑΣΜΕΝΗ ΧΡΗΣΗ ή η μη τήρηση των κανόνων ασφαλείας που διατυπώνονται στο παρόν εγχειρίδιο οδηγίων μπορεί να προκαλέσει σοβαρό τραυματισμό.

ΣΗΜΑΝΤΙΚΕΣ ΟΔΗΓΙΕΣ ΑΣΦΑΛΕΙΑΣ

ENC007-8

ΓΙΑ ΤΗΝ ΜΠΑΤΑΡΙΑ

1. Πριν χρησιμοποιήσετε την μπαταρία, διαβάστε όλες τις οδηγίες και τις ενδείξεις προφύλαξης (1) φορτιστή μπαταρίας, (2) την μπαταρία και (3) το προϊόν στο οποίο χρησιμοποιείται η μπαταρία.
2. Μην αποσυαρμολογείτε την μπαταρία.
3. Αν ο χρόνος λειτουργίας της μπαταρίας είναι υπερβολικά σύντομος, διακόψτε αμέσως τη λειτουργία. Αν συνεχίσετε, μπορεί να έχει ως αποτέλεσμα τον κίνδυνο υπερθέρμανσης, πιθανών εγκαυμάτων και ακόμη έκρηξης.
4. Αν μπει στα μάτια σας ηλεκτρολύτης, ξεπλύνετε με καθαρό νερό και αναζητήστε αμέσως ιατρική βοήθεια. Μπορεί να χάσετε την όρασή σας.
5. Μην βραχυκυκλώνετε την μπαταρία:
 - (1) Μην αγγίζετε τους ακροδέκτες με αγώγιμο υλικό.
 - (2) Μην αποθηκεύετε την μπαταρία σε δοχείο με άλλα μεταλλικά αντικείμενα, όπως καρφιά, νομίσματα, κτλ.
 - (3) Μην εκθέτετε την μπαταρία σε νερό ή βροχή. Αν βραχυκυκλωθεί η μπαταρία, μπορεί να προκληθεί μεγάλη ροή ηλεκτρικού ρεύματος, υπερθέρμανση, πιθανά εγκαυματα και ακόμη και καταστροφή της μπαταρίας.
6. Μην αποθηκεύετε το εργαλείο και την μπαταρία σε μέρη όπου η θερμοκρασία μπορεί να φτάσει ή να ξεπεράσει τους 50°C (122°F).
7. Μην αποτεφρώνετε την μπαταρία ακόμη κι αν παρουσιάζει σοβαρή ζημιά ή είναι εντελώς φθαρμένη. Η μπαταρία μπορεί να εκραγεί σε φωτιά.
8. Να προσέχετε να μη σας πέσει η μπαταρία και να μη συγκρουστεί με κάποιο αντικείμενο.
9. Μη χρησιμοποιείτε μια μπαταρία που έχει υποστεί βλάβη.

10. Ακολουθήστε τους τοπικούς κανονισμούς σχετικά με την απόρριψη της μπαταρίας.

ΦΥΛΑΞΤΕ ΑΥΤΕΣ ΤΙΣ ΟΔΗΓΙΕΣ.

Συμβουλές για τη διατήρηση της μέγιστης ζωής της μπαταρίας

1. Να φορτίζετε την μπαταρία πριν αποφορτιστεί εντελώς. Πάντοτε να διακόπτετε τη λειτουργία του εργαλείου και να φορτίζετε την μπαταρία όταν παρατηρείται μειωμένη ισχύ του εργαλείου.
2. Ποτέ μην επαναφορτίζετε μια πλήρως φορτισμένη μπαταρία. Αν υπερφορτίσετε την μπαταρία, μειώνεται η ωφέλιμη διάρκεια ζωής της.
3. Να φορτίζετε την μπαταρία σε θερμοκρασία δωματίου, δηλαδή στους 10°C έως 40°C (50°F έως 104°F). Αν η μπαταρία είναι θερμή, αφήστε την να ψυχθεί πριν τη φορτίσετε.
4. Να φορτίζετε την κασέτα μπαταρία μια φορά κάθε έξι μήνες όταν δεν τη χρησιμοποιείτε για μεγάλο χρονικό διάστημα.

ΠΕΡΙΓΡΑΦΗ ΛΕΙΤΟΥΡΓΙΑΣ

ΠΡΟΣΟΧΗ:

- Να βεβαιώνετε πάντοτε ότι έχετε σβήσει το εργαλείο και έχετε βγάλει την μπαταρία πριν ρυθμίσετε ή ελέγξετε κάποια λειτουργία του εργαλείου.

Τοποθέτηση ή αφαίρεση της μπαταρίας (Εικ. 1)

⚠ ΠΡΟΣΟΧΗ:

- Πάντοτε να απενεργοποιείτε το εργαλείο πριν από την τοποθέτηση ή την αφαίρεση της κασέτας μπαταρίας.
- Κρατήστε το εργαλείο και την κασέτα μπαταρίας γερά κατά την τοποθέτηση ή την αφαίρεση της κασέτας μπαταρίας. Εάν δεν κρατήσετε το εργαλείο και την μπαταρία καλά μπορεί να γλιστρήσουν από τα χέρια σας και να προκληθεί ζημιά στο εργαλείο και στη μπαταρία αλλά και προσωπικός τραυματισμός.

Για να βγάλετε την κασέτα μπαταρίας, σύρετε την από το εργαλείο ολισθαίνοντας το κουμπί στο μπροστινό μέρος της κασέτας.

Για να τοποθετήσετε την κασέτα μπαταρίας, ευθυγραμμίστε τη γλωττίδα της κασέτας μπαταρίας με την εγκοπή στο περίβλημα και ολισθήστε τη στη θέση της. Τοποθετήστε τη έως το τέρμα, δηλαδή έως ότου ασφαλίσει στη θέση και ακουστεί ένας χαρακτηριστικός ήχος "κλικ". Αν μπορείτε να δείτε την κόκκινη ένδειξη στην πάνω πλευρά του κουμπιού, η μπαταρία δεν είναι πλήρως ασφαλισμένη.

⚠ ΠΡΟΣΟΧΗ:

- Πάντοτε να τοποθετείτε πλήρως την κασέτα μπαταρίας για να μη φανεί η κόκκινη ένδειξη. Σε αντίθετη περίπτωση, μπορεί να πέσει κατά λάθος από το εργαλείο και να τραυματίσει εσάς ή κάποιον παρευρισκόμενο.
- Μην εισάγετε με τη βία την κασέτα μπαταρίας. Αν η κασέτα δεν ολισθαίνει με ευκολία, δεν την εισαγάγετε σωστά.

Σύστημα προστασίας μπαταρίας

Το εργαλείο είναι εφοδιασμένο με ένα σύστημα προστασίας μπαταρίας. Αυτό το σύστημα διακόπτει αυτόματα το ρεύμα στον κινητήρα για να παρατείνεται η διάρκεια ζωής της μπαταρίας.

Το εργαλείο θα σταματήσει αυτόματα κατά τη λειτουργία όταν το εργαλείο και/ή η μπαταρία υποστούν τις παρακάτω συνθήκες:

- Υπερφόρτιση:

Το εργαλείο λειτουργεί με τρόπο που προκαλεί την κατανάλωση ασυνήθιστα υψηλής ποσότητας ρεύματος.

Στην περίπτωση αυτή, απενεργοποιήστε το εργαλείο και σταματήστε την εφαρμογή που προκάλεσε την υπερφόρτωση του εργαλείου. Στη συνέχεια, ενεργοποιήστε ξανά το εργαλείο για επανεκκίνηση.

Εάν το εργαλείο δεν ξεκινά, η μπαταρία έχει υπερθερμανθεί. Στην περίπτωση αυτή, αφήστε την μπαταρία να κρυώσει πριν ενεργοποιήσετε ξανά το εργαλείο.

- Χαμηλή τάση μπαταρίας:

Η αναπομόνευσα ποσότητα ρεύματος της μπαταρίας είναι πολύ χαμηλή και το εργαλείο δεν θα λειτουργήσει. Σε αυτήν την περίπτωση, αφαιρέστε και επαναφορτίστε τη μπαταρία.

ΣΗΜΕΙΩΣΗ:

Η προστασία από την υπερθέρμανση λειτουργεί μόνο με μια κασέτα μπαταρίας που έχει ένδειξη άστρου. **(Εικ. 2)**

Δάση διακόπτη (Εικ. 3)

ΠΡΟΣΟΧΗ:

- Πριν βάλετε την μπαταρία στο εργαλείο, πάντοτε να ελέγχετε ότι ο μοχλός του διακόπτη ενεργοποιείται σωστά και επιστρέφει στη θέση "OFF" όταν πιέζετε το πίσω μέρος του μοχλού του διακόπτη.
- Ο διακόπτης μπορεί να κλειδώσει στην ενεργή θέση "ON" για διευκόλυνση του χειριστή κατά την παρατεταμένη χρήση. Δώστε προσοχή όταν το εργαλείο βρίσκεται κλειδωμένο στην ανενεργή θέση "OFF" και κρατάτε το γερά.

Για να ξεκινήσετε τη λειτουργία του εργαλείου, ολισθήστε το μοχλό διακόπτη στη θέση "I (ON)". Για συνεχόμενη λειτουργία, πιέστε το μπροστινό μέρος του κυλιόμενου διακόπτη για να τον ασφαλίσετε.

Για να διακόψετε τη λειτουργία του εργαλείου, πιέστε το πίσω μέρος του μοχλού διακόπτη και κατόπιν ολισθήστε τον στη θέση "O (OFF)".

Ενδεικτική λυχνία με πολλαπλή

λειτουργία (Εικ. 4)

Οι ενδεικτικές λυχνίες είναι τοποθετημένες σε δύο θέσεις.

- **Σήμα αλλαγής μπαταρίας**

- Όταν κατά τη λειτουργία η ισχύς της μπαταρίας έχει σχεδόν καταναλωθεί, ανάβουν τα φώτα της κόκκινης λυχνίας και σταματά άμεσα το εργαλείο. Όταν ανάψουν τα φώτα της κόκκινης λυχνίας, αντικαταστήστε τη μπαταρία με μια πλήρως φορτισμένη.

- **Λειτουργία αποφυγής τυχαίας επανεκκίνησης**

- Ακόμα κι αν η μπαταρία έχει τοποθετηθεί στο εργαλείο και ο κυλιόμενος διακόπτης βρίσκεται στη θέση "I (ON)", η λειτουργία του εργαλείου δεν ξεκινά. Τώρα, η ενδεικτική λυχνία αναβοσβήνει αργά και

αυτό σημαίνει ότι η λειτουργία αποφυγής τυχαίας εκκίνησης είναι σε λειτουργία.

- Για να ξεκινήσετε τη λειτουργία του εργαλείου, πρώτα ολισθήστε τον κυλιόμενο διακόπτη στη θέση "O (OFF)" και κατόπιν ολισθήστε τον στη θέση "I (ON)".

ΣΥΝΑΡΜΟΛΟΓΗΣΗ

ΠΡΟΣΟΧΗ:

- Να βεβαιώνετε πάντοτε ότι έχετε σβήσει το εργαλείο και έχετε βγάλει την μπαταρία πριν εκτελέσετε οποιαδήποτε εργασία σε αυτό.

Ρύθμιση διάκενου λεπίδας

Μόνο για τα DJS160 και DJS161

Ρυθμίστε το διάκενο ανάμεσα στην πλαϊνή λεπίδα και την κεντρική λεπίδα ανάλογα με το πάχος του τεμαχίου εργασίας. **(Εικ. 5)**

Πρώτα χρησιμοποιήστε ένα εξάγωνο άλεν για να χαλαρώσετε τη βίδα. **(Εικ. 6)**

Κατόπιν χρησιμοποιήστε ένα εξάγωνο άλεν για να ρυθμίστε το διάκενο σφίγγοντας ή χαλαρώνοντας το μπουλόνι. Μπορεί να υπάρχει μια μικρή διαφορά ανάμεσα στο διάκενο των δύο πλευρών της κεντρικής λεπίδας. Ελέγξτε το μικρότερο διάκενο με το μέτρο πάχους και ρυθμίστε το.

Όταν χρησιμοποιείτε το μετρητή πάχους για να ρυθμίσετε το διάκενο της λεπίδας, ανατρέξτε στον πίνακα.

Πάχος τεμαχίου εργασίας (mm)	Ένδειξη μετρητή πάχους
Λιγότερο από 0,8	0,5
0,8 - 1,3	1,0
Περισσότερο από 1,3	1,5

006428

Αφού ρυθμίσετε το διάκενο, σφίξτε τη βίδα με ασφάλεια.

Αποθήκευση εξάγωνου άλεν (Εικ. 7)

Αποθηκεύστε το εξάγωνο άλεν όταν δεν βρίσκεται σε χρήση, όπως φαίνεται στην εικόνα.

ΛΕΙΤΟΥΡΓΙΑ

Λιπάνση (Εικ. 8)

Πριν από τη λειτουργία, λιπάνετε το σημείο επαφής της κεντρικής λεπίδας και της περόνης. Για να διατηρήσετε μια καλή απόδοση κοπής, χρησιμοποιήστε επίσης κατά καιρούς ένα λιπαντικό κοπής κατά τη λειτουργία.

ΛΕΙΤΟΥΡΓΙΑ (Εικ. 9)

Θέστε το εργαλείο σε λειτουργία και στερεώστε τα μπροστινά άκρα των πλαϊνών λεπίδων πάνω στο τεμάχιο εργασίας. Τώρα απλά μετακινήστε το εργαλείο μπροστά, διατηρώντας τις πλαϊνές λεπίδες στο ίδιο επίπεδο με την επιφάνεια του τεμαχίου εργασίας. **(Εικ. 10)**

ΠΡΟΣΟΧΗ:

- Όταν κόβετε ένα μικρό μέρος του τεμαχίου εργασίας, μπορεί να αντιμετωπίσετε δυσκολίες στην ολοκλήρωση της άκρης της κοπής. Σε αυτή την περίπτωση, προσπαθήστε να την ξανακόψετε, τραβώντας ελαφρά προς τα πίσω το τεμάχιο εργασίας.

ΣΥΝΤΗΡΗΣΗ

ΠΡΟΣΟΧΗ:

- Να βεβαιώνετε πάντοτε ότι έχετε σβήσει το εργαλείο και έχετε βγάλει την μπαταρία πριν εκτελέσετε οποιαδήποτε εργασία ελέγχου ή συντήρησης σε αυτό.

ΠΡΟΣΟΧΗ:

- Μην χρησιμοποιήσετε βενζίνη, βενζόλη, διαλυτικό, αλκοόλη ή κάτι παρόμοιο. Μπορεί να προκληθεί αποχρωματισμός, παραμόρφωση ή ρωγμές.

Το εργαλείο και τα ανοίγματα εξαερισμού του πρέπει να διατηρούνται καθαρά. Να καθαρίζετε τακτικά τα ανοίγματα εξαερισμού του εργαλείου ή όταν αρχίσουν να φράσσονται.

Αλλαγή καρβουακίων (Εικ. 11)

Να αφαιρείτε και να ελέγχετε τακτικά τα καρβουάκια. Να αντικαθιστάτε τα καρβουάκια όταν έχουν φθαρεί έως την ένδειξη του ορίου. Να διατηρείτε τα καρβουάκια καθαρά και ελεύθερα για να γλιστρούν στις υποδοχές. Πρέπει να αλλάζετε ταυτόχρονα και τα δύο καρβουάκια. Να χρησιμοποιείτε μόνο καρβουάκια ίδιου τύπου.

Τοποθετήστε την άκρη ενός πλακέ κατασβιδιού μέσα στην εγκοπή του εργαλείου και σηκώστε το κάλυμμα κατακτιού υποδοχής για να το βγάλετε. (Εικ. 12)

Με τη βοήθεια ενός κατασβιδιού, βγάλτε τα καπάκια υποδοχής για τα καρβουάκια. Βγάλτε τα φθαρμένα καρβουάκια, τοποθετήστε τα καινούργια και ασφαλίστε τα καπάκια υποδοχής για τα καρβουάκια. (Εικ. 13)
Τοποθετήστε ξανά το κάλυμμα κατακτιού υποδοχής στο εργαλείο.

Αντικατάσταση λεπίδων

Η διάρκεια ζωής των λεπίδων ποικίλλει ανάλογα με τα τεμάχια εργασίας που πρόκειται να κοπούν. Οι παρακάτω πίνακες αναφοράς υποδεικνύουν την κατά προσέγγιση διάρκεια ζωής των λεπίδων.

Όταν οι λεπίδες αμβλυνθούν, ζητήστε την αντικατάστασή τους από τα εξουσιοδοτημένα κέντρα εξυπηρέτησης της Makita.

Για τα DJS160 και DJS161

Υλικό	Πάχος κοπής (mm)	Διάρκεια ζωής των λεπίδων (μ)
Μαλακό χαλύβδινο έλασμα (SPCC)	1,6	200
Ανοξειδωτο χαλύβδινο έλασμα (SUS304)	1,2	150
Έλασμα από αλουμίνιο (A-5052)	2,5	400

010094

Για τα DJS100 και DJS101

Υλικό	Πάχος κοπής (mm)	Διάρκεια ζωής των λεπίδων (μ)
Μαλακό χαλύβδινο έλασμα (SPCC)	1,0	120
Ανοξειδωτο χαλύβδινο έλασμα (SUS304)	0,7	50

010739

Για να διατηρείται η ΑΣΦΑΛΕΙΑ και η ΑΞΙΟΠΙΣΤΙΑ του προϊόντος, οι εργασίες επισκευής, καθώς και οποιαδήποτε άλλη εργασία συντήρησης ή ρυθμίσεως, θα πρέπει να εκτελούνται σε εξουσιοδοτημένα κέντρα εξυπηρέτησης της Makita, και πάντοτε με τη χρήση ανταλλακτικών της Makita.

ΠΡΟΑΙΡΕΤΙΚΑ ΑΞΕΣΟΥΑΡ

⚠ ΠΡΟΣΟΧΗ:

- Συνιστάται η χρήση αυτών των αξεσουάρ ή εξαρτημάτων με το εργαλείο της Makita, όπως περιγράφεται στο παρόν εγχειρίδιο. Αν χρησιμοποιήσετε άλλα αξεσουάρ ή εξαρτήματα μπορεί να παρουσιαστεί κίνδυνος για πρόκληση τραυματισμού προσώπων. Να χρησιμοποιείτε τα αξεσουάρ και τα εξαρτήματα μόνο για το σκοπό για τον οποίο προορίζονται.

Αν χρειάζεστε κάποια βοήθεια ή περισσότερες πληροφορίες σχετικά με τα αξεσουάρ αυτά, απευθυνθείτε στο πλησιέστερο κέντρο εξυπηρέτησης της Makita.

- Μετρητής πάχους
- Κεντρική λεπίδα
- Πλαϊνή λεπίδα Δ
- Πλαϊνή λεπίδα Α
- Εξάγωνο άλεν
- Αυθεντική μπαταρία και φορτιστής της Makita

ΣΗΜΕΙΩΣΗ:

- Ορισμένα από τα στοιχεία της λίστα μπορεί να περιέχονται στην συσκευασία του εργαλείου ως κανονικά αξεσουάρ. Αυτά ενδέχεται να διαφέρουν από χώρα σε χώρα.

Θόρυβος

ENG905-1

Το σύνθηρες σταθμισμένο επίπεδο θορύβου που έχει καθοριστεί σύμφωνα με την EN60745:

Μοντέλο DJS100, DJS101, DJS161

Επίπεδο ηχητικής πίεσης (L_{pA}): 71 dB (A)

Αβεβαιότητα (K): 3 dB (A)

Το επίπεδο θορύβου κατά τη λειτουργία ενδέχεται να υπερβεί τα 80 dB (A).

Μοντέλο DJS160

Επίπεδο ηχητικής πίεσης (L_{pA}): 74 dB (A)

Αβεβαιότητα (K): 3 dB (A)

Το επίπεδο θορύβου κατά τη λειτουργία ενδέχεται να υπερβεί τα 80 dB (A).

Να φοράτε ωτοασπίδες.

Κραδασμοί

ENG900-1

Η συνολική τιμή δόνησης (διανυσματικό άθροισμα τριών αξόνων) που έχει καθοριστεί σύμφωνα με την EN60745:

Μοντέλο DJS100

Κατάσταση λειτουργίας: κοπή μεταλλικού ελάσματος
Εκπομπή δόνησης (a_h): 12,5 m/s²
Αβεβαιότητα (K): 1,5 m/s²

Μοντέλο DJS101, DJS161

Κατάσταση λειτουργίας: κοπή μεταλλικού ελάσματος
Εκπομπή δόνησης (a_h): 13,0 m/s²
Αβεβαιότητα (K): 1,5 m/s²

Μοντέλο DJS160

Κατάσταση λειτουργίας: κοπή μεταλλικού ελάσματος
Εκπομπή δόνησης (a_h): 12,0 m/s²
Αβεβαιότητα (K): 1,5 m/s²

ENG901-1

- Η δηλωθείσα τιμή των παραγομένων κραδασμών έχει καταμετρηθεί σύμφωνα με την τυποποιημένη μέθοδο δοκιμασίας και μπορεί να χρησιμοποιηθεί για την σύγκριση ενός εργαλείου με ένα άλλο.
- Η δηλωθείσα τιμή των παραγομένων κραδασμών μπορεί επίσης να χρησιμοποιηθεί για μια προκαταρκτική αξιολόγηση της έκθεσης στους κραδασμούς.

ΠΡΟΕΙΔΟΠΟΙΗΣΗ:

- Η εκπομπή κραδασμών κατά τη διάρκεια της πραγματικής χρήσης του ηλεκτρικού εργαλείου μπορεί να διαφέρει από τη δηλωθείσα τιμή των εκπομπών, ανάλογα με τον τρόπο με τον οποίο χρησιμοποιείται το εργαλείο.
- Φροντίστε να λάβετε τα μέτρα ασφαλείας που απαιτούνται για την προστασία του χρήστη που βασίζονται σε μια εκτίμηση της έκθεσης σε πραγματικές συνθήκες χρήσης (λαμβάνοντας υπόψη όλα τα μέρη του κύκλου λειτουργίας, όπως είναι οι περιπτώσεις κατά τις οποίες το εργαλείο είναι απενεργοποιημένο και όταν λειτουργεί στο ρελαντί επιπρόσθετως του χρόνου κατά τον οποίο το εργαλείο βρίσκεται σε χρήση).

Για Ευρωπαϊκές χώρες μόνο

ENH101-16

ΕΚ – Δήλωση συμμόρφωσης

Η Εταιρία Makita ως υπεύθυνος κατασκευαστής, δηλώνει ότι το παρακάτω μηχάνημα ή μηχανήματα της Makita:

Όνομασία Μηχανήματος:

Μεταλλικό ψαλίδι μπαταρίας

Αρ. Μοντέλου/ Τύπος: DJS100, DJS101, DJS160, DJS161

αποτελούν παραγωγή σε σειρά και

Συμμορφώνονται με τις ακόλουθες Ευρωπαϊκές Οδηγίες:

2006/42/EK

Και κατασκευάζονται σύμφωνα με τα παρακάτω πρότυπα ή τυποποιημένα έγγραφα:

EN60745

Τα τεχνικά έγγραφα διατηρούνται από το:

Makita International Europe Ltd.
Technical Department,
Michigan Drive, Tongwell,
Milton Keynes, Bucks MK15 8JD, England

31. 7. 2009



Tomoyasu Kato

Διευθυντής

Makita Corporation

3-11-8, Sumiyoshi-cho,
Anjo, Aichi, 446-8502, JAPAN

Makita Corporation
Anjo, Aichi, Japan

www.makita.com

885294-993

ALA